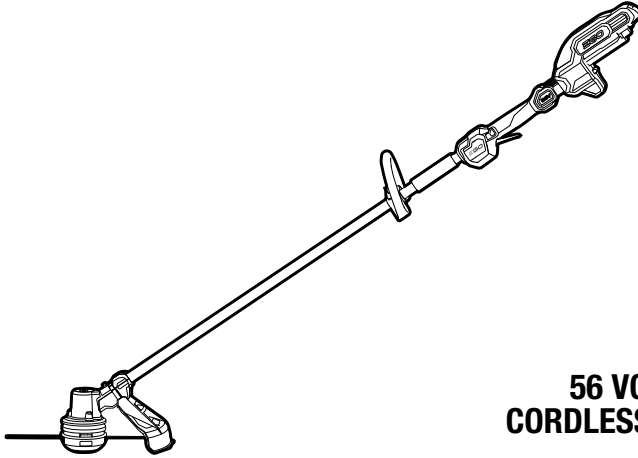


EGO™

POWER⁺ LINE TRIMMER

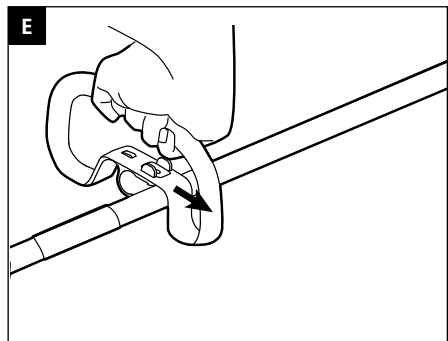
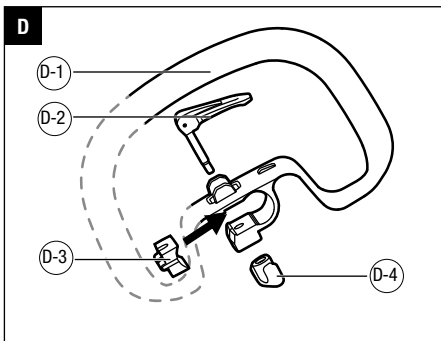
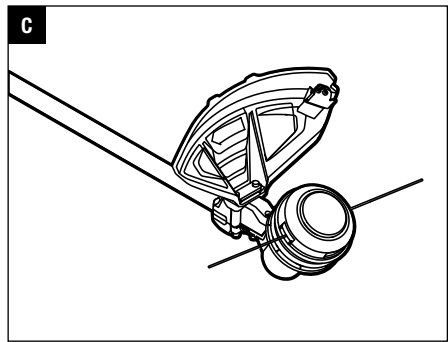
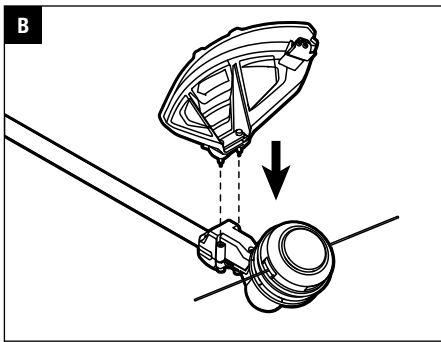
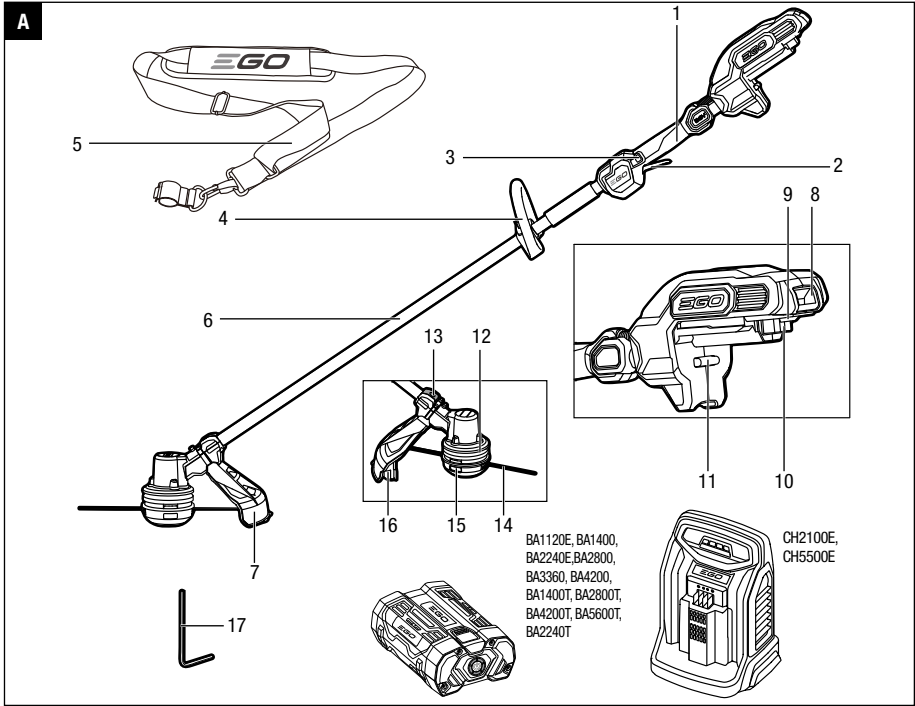


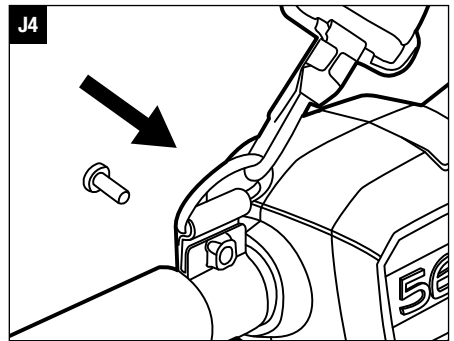
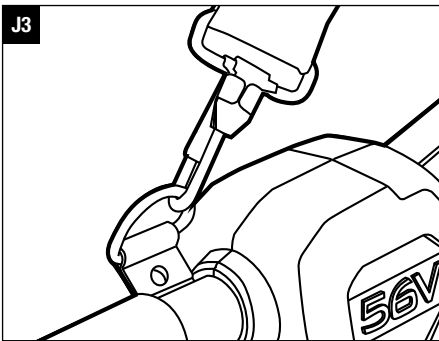
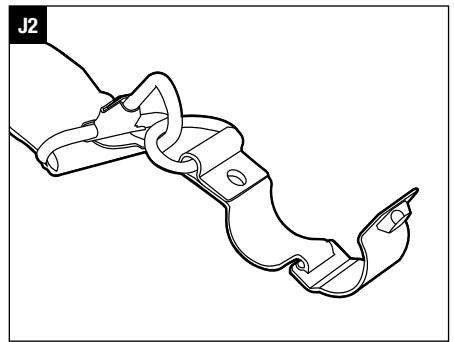
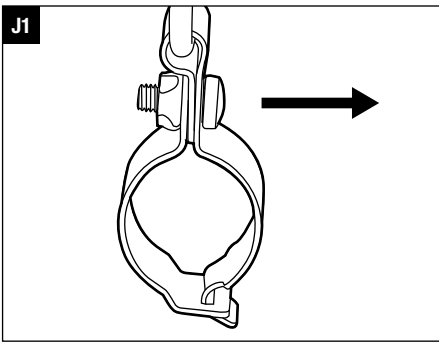
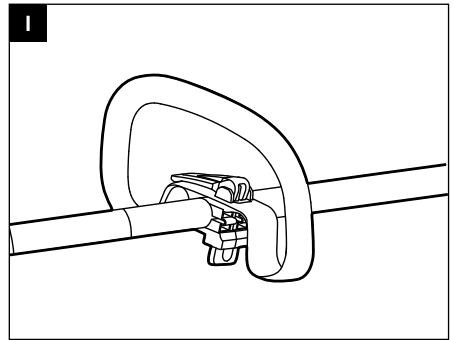
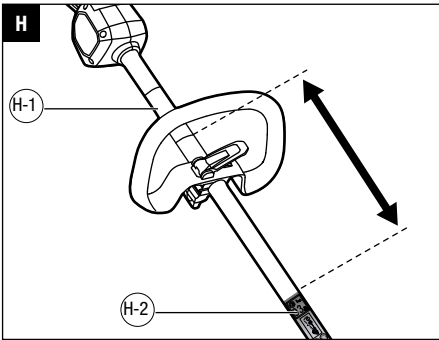
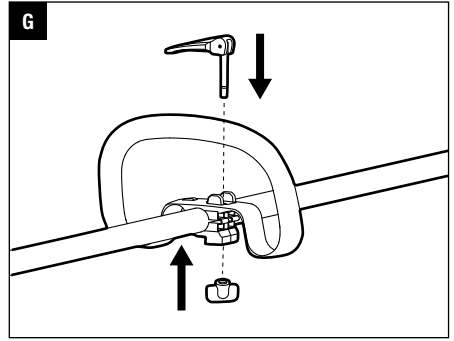
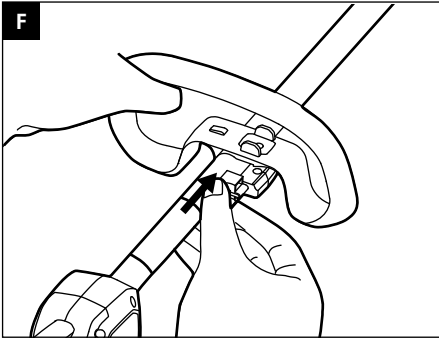
OPERATOR'S MANUAL

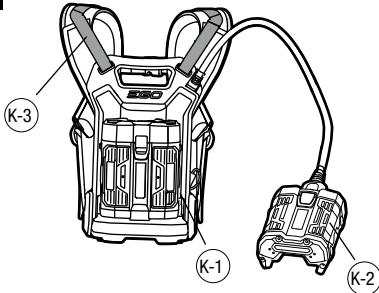
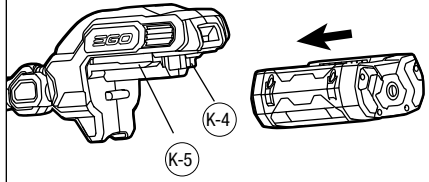
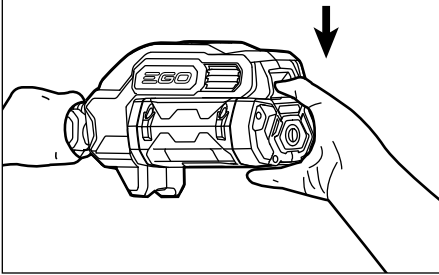
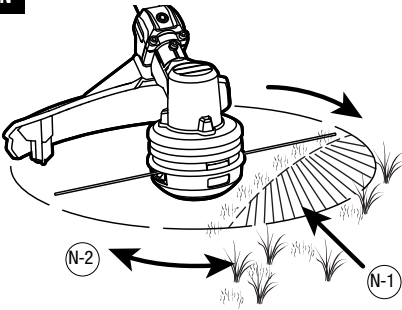
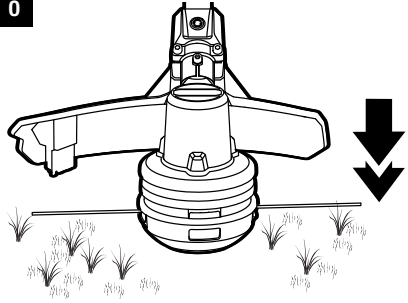
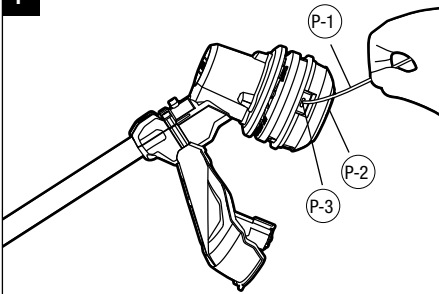
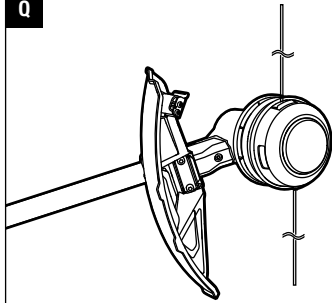
56 VOLT LITHIUM-ION CORDLESS LINE TRIMMER

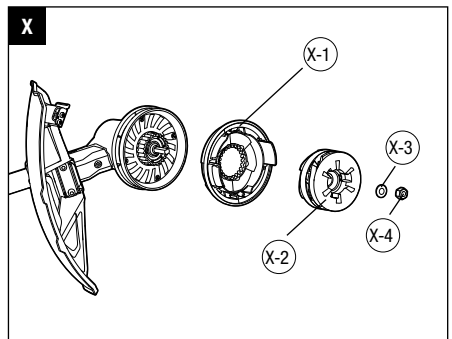
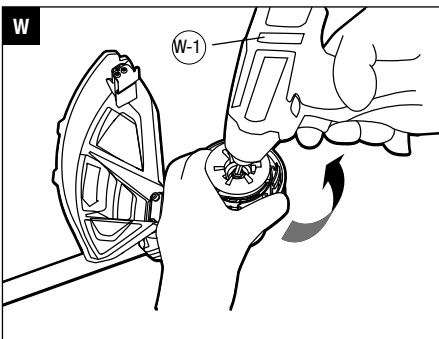
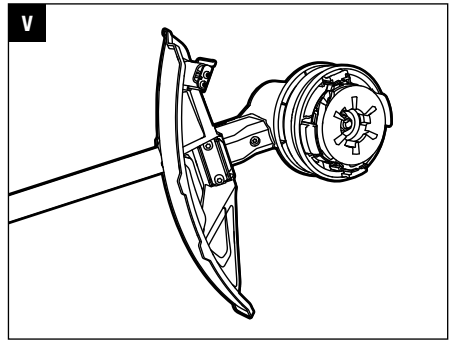
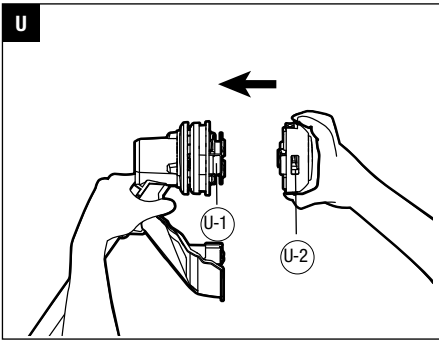
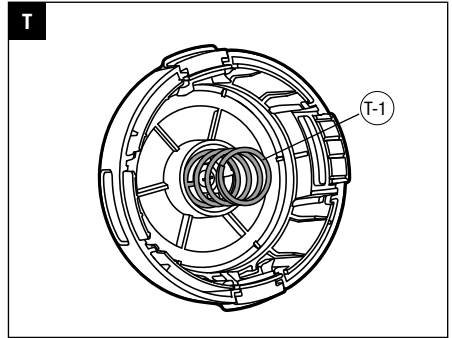
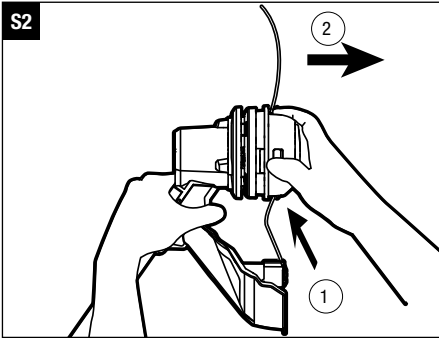
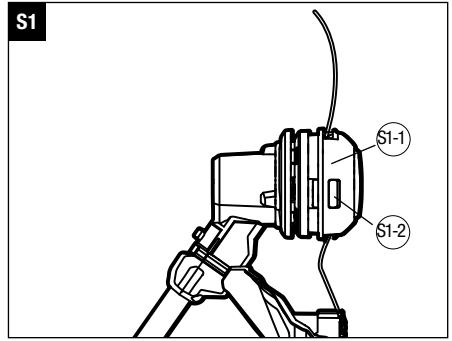
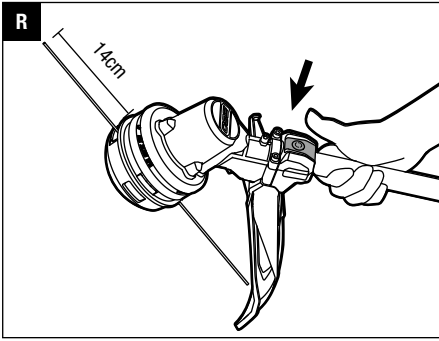
MODEL NUMBER ST1510E

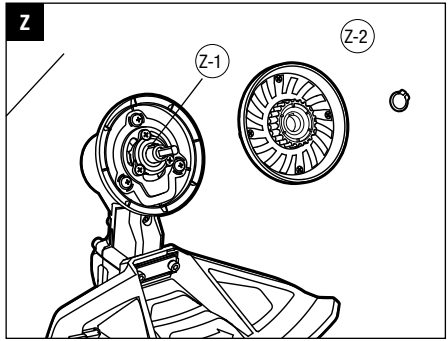
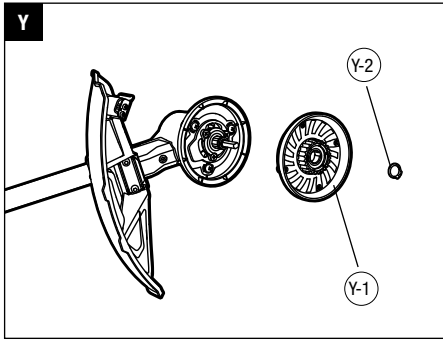
EN	56 volt lithium-ion cordless line trimmer	7	SL	56-voltni litij-ionska brezžična kosilnica z nitko	209
DE	56 volt lithium-ionen kabelloser Rasentrimmer	18	LT	Akumuliatorinė žoliapjovė su 56 voltų ličio jonų akumuliatoriumi	221
FR	Taille-bordure sans fil lithium-ion 56v	31	LV	56 voltu litija jonu akumulatora bezvadu auklas trimmeris	233
ES	Cortabordes inalámbrico con cabezal de hilo y acumulador de ion de litio de 56 voltios	44	GR	Ασύρματο χλοοκοπτικό με μεστίνεζα λιθίου - ιοντων 56 volt	245
PT	Roçadora de fio sem fios de ião de lítio de 56 volts	57	TR	56 volt lityum-iyon kablosuz misinalı çim biçme makinesi	259
IT	Decespugliatore a batteria li-ion 56 v	69	ET	56-voldise liitiumioonakuga akutoitel jõhvtrimmer	271
NL	56 volt lithium-ion accugrastrimmer	81	UK	56-вольтний літій-іонний акумуляторний лісковий тример	282
DK	Ledningsfri græstrimmer med 56 volt litium-ion batteri	93	BG	56 волта литиево-йонен безкабелен кордов тример	295
SE	56 volts litiumjonbatteri och sladdlös kantrimmer	104	HR	Šišač trave s reznom niti s litij-ionskom baterijom 56 v 308	
FI	56 voltin litium-ion-akkukäyttöinen siimaleikkuri	115	KA	56 ვოლტიანი ლითიუმ-იონის აკუმულატორიანი უსადენო ელექტრო სათიბი	320
NO	56 volts ledningsfri kantklipper	126	SR	Bežični trimer sa strunom i litijum-jonskom baterijom od 56 volti	337
RU	Беспроводной триммер с леской с литий-ионным аккумулятором 56 в	137	BS	Akumulatorski trimer s reznom niti i litij-ionskom baterijom od 56 V	349
PL	Podkaszarka bezprzewodowa z baterią litowo-jonową 56 woltów	150	HE	גוזם משך אלחוטי ליתיום-56 וולט	361
CZ	56voltová lithium-iontová akumulátorová strunová sekačka	163	AR	جهازة الخيط اللاسلكية العاملة بطارية ليثيوم-أيون 56 فولت	372
SK	56 voltová lítium-iónová akumulátorová strunová kosačka	174			
HU	56 voltos vezeték nélküli lítium-ion damilos fűkasza	185			
RO	Trimmer cu fir și cu acumulator de litiu ion de 56 voltj	197			





K1**K2****L****M****N****O****P****Q**





READ ALL INSTRUCTIONS!



READ OPERATOR'S MANUAL

⚠ Residual risk! People with electronic devices, such as pacemakers, should consult their physician(s) before using this product. Operation of electrical equipment in close proximity to a heart pacemaker could cause interference or failure of the pacemaker.

⚠ WARNING: To ensure safety and reliability, all repairs and replacements should be performed by a qualified service technician.

SAFETY SYMBOLS

The purpose of safety symbols is to attract your attention to possible dangers. The safety symbols and the explanations with them deserve your careful attention and understanding. The symbol warnings do not, by themselves, eliminate any danger. The instructions and warnings they give are no substitutes for proper accident prevention measures.

⚠ WARNING: Be sure to read and understand all safety instructions in this Operator's Manual, including all safety alert symbols such as **"DANGER," "WARNING,"** and **"CAUTION"** before using this tool. Failure to follow all instructions listed below may result in electric shock, fire, and/or serious personal injury.






SYMBOL MEANING

⚠ SAFETY ALERT SYMBOL: Indicates DANGER, WARNING, or CAUTION, may be used in conjunction with other symbols or pictographs.

SAFETY INSTRUCTIONS

This page depicts and describes safety symbols that may appear on this product. Read, understand, and follow all instructions on the machine before attempting to assemble and operate it.

	Safety Alert	Indicates a potential personal injury hazard.
	Read Operator's Manual	To reduce the risk of injury, user must read and understand the operator's manual before using this product.
	Wear Eye Protection	Always wear safety goggles or safety glasses with side shields and a full face shield when operating this product.
	Wear Ear Protection	Always wear sound barriers (ear plugs or ear muffs) to protect your hearing.
	Cutting Width	The Max. cutting width of line trimmer
	Line Diameter	The Diameter of the nylon cutting line
	Wear Head Protection	Wear an approved safety hard hat to protect your head.
	Wear Protective Gloves	Protect your hands with gloves when handling blade or blade guard. Heavy-duty, nonslip gloves improve your grip and protect your hands.
	Wear Safety Footwear	Wear non-slip safety footwear when using this equipment.
	Beware of blade thrust	Warn the operator of the danger of blade thrust.
	Ricochet and Keep Bystanders Away	Thrown objects can ricochet and result in personal injury or property damage. Ensure that other people and pets remain away from the brush cutter when it is in use.
	Keep Bystanders Away	Ensure that other people and pets remain at least 15m away from the line trimmer when it is in use.
	No round blade	Do not install round cutting blades.

	Do not expose to rain	Do not use in the rain or leave outdoors while it is raining.
	CE	This product is in accordance with applicable EC directives.
	WEEE	Waste electrical products should not be disposed of with household waste. Take to an authorized recycler.
	Noise	Guaranteed sound power level. Noise emission to the environment according to the European community's Directive.
V	Volt	Voltage
	Direct Current	Type or a characteristic of current
n_0	No Load Speed	Rotational speed, at no load
min^{-1}	Per Minute	Revolutions per minute

GENERAL POWER TOOL SAFETY WARNINGS

⚠ WARNING: Read all safety warnings, instructions, illustrations and specifications provided with this power tool. Failure to follow all instructions listed below may result in electric shock, fire and/or serious injury.

Save all warnings and instructions for future reference.

The term "power tool" in the warnings refers to your mains-operated (corded) power tool or battery-operated (cordless) power tool.

WORK AREA SAFETY

- Keep work area clean and well lit. Cluttered or dark areas invite accidents.
- Do not operate power tools in explosive atmospheres, such as in the presence of flammable liquids, gases or dust. Power tools create sparks which may ignite the dust or fumes.
- Keep children and bystanders away while operating a power tool. Distractions can cause you to lose control.

PERSONAL SAFETY

- Stay alert, watch what you are doing and use common sense when operating a power tool. Do not use a power tool while you are tired or under

the influence of drugs, alcohol medication. A moment of inattention while operating power tools may result in serious personal injury.

- Use personal protective equipment. Always wear eye protection. Protective equipment such as a dust mask, non-skid safety shoes, hard hat or hearing protection used for appropriate conditions will reduce personal injuries.
- Prevent unintentional starting. Ensure the switch is in the off-position before connecting to power source and/or battery pack, picking up or carrying the tool. Carrying power tools with your finger on the switch or energizing power tools that have the switch on invites accidents.
- Remove any adjusting key or wrench before turning the power tool on. A wrench or a key left attached to a rotating part of the power tool may result in personal injury.
- Do not overreach. Keep proper footing and balance at all times. This enables better control of the power tool in unexpected situations.
- Dress properly. Do not wear loose clothing or jewellery. Keep your hair, clothing and gloves away from moving parts. Loose clothes, jewelry or long hair can be caught in moving parts.
- If devices are provided for the connection of dust extraction and collection facilities, ensure these are connected and properly used. Use of dust devices can reduce dust-related hazards.
- Do not let familiarity gained from frequent use of tools allow you to become complacent and ignore tool safety principles. A careless action can cause severe injury within a fraction of a second.

POWER TOOL USE AND CARE

- Do not force the power tool. Use the correct power tool for your application. The correct power tool will do the job better and safer at the rate for which it was designed.
- Do not use the power tool if the switch does not turn it on and off. Any power tool that cannot be controlled with the switch is dangerous and must be repaired.
- Store idle power tools out of the reach of children and do not allow persons unfamiliar with the power tool or these instructions to operate the power tool. Power tools are dangerous in the hands of untrained users.
- Maintain power tools and accessories. Check for misalignment or binding of moving parts, breakage of parts and any other condition that may affect the power tool's operation. If damaged, have the power tool repaired before use. Many accidents are caused by poorly maintained power tools.

- **Keep cutting tools sharp and clean.** Properly maintained cutting tools with sharp cutting edges are less likely to bind and are easier to control.
- **Use the power tool, accessories and tool bits etc. in accordance with these instructions, taking into account the working conditions and the work to be performed.** Use of the power tool for operations different from those intended could result in a hazardous situation.
- **Keep handles and grasping surface dry, clean and free from oil and grease.** Slippery handles and grasping surfaces do not allow for safe handling and control of the tool in unexpected situations.
- **Keep cables away from the working area of the tool.** During operation cables may be hidden from view and can be accidentally damaged by the tool.

BATTERY TOOL USE AND CARE

- **Recharge only with the charger specified by the manufacturer.** A charger that is suitable for one type of battery pack may create a risk of fire when used with another battery pack.
- **Use power tools only with specifically designated battery packs.** Use of any other battery packs may create a risk of injury and fire.
- **When battery pack is not in use, keep it away from other metal objects, like paper clips, coins, keys, nails, screws or other small metal objects, that can make a connection from one terminal to another.** Shorting the battery terminals together may cause burns or a fire.
- **Under abusive conditions, liquid may be ejected from the battery; avoid contact. If contact accidentally occurs, flush with water. If liquid contacts eyes, additionally seek medical help.** Liquid ejected from the battery may cause irritation or burns.
- **Do not use a battery pack or tool that is damaged or modified.** Damaged or modified batteries may exhibit unpredictable behavior resulting in fire, explosion or risk of injury.
- **Do not expose a battery pack or tool to fire or excessive temperature.** Exposure to fire or temperature above 100 °C may cause explosion.
- **Follow all charging instructions and do not charge the battery pack or tool outside the temperature range specified in the instructions.** Charging improperly or at temperatures outside the specified range may damage the battery and increase the risk of fire.

SERVICE

- **Have your power tool serviced by a qualified repair person using only identical replacement parts.** This will ensure that the safety of the power tool is maintained.
- **Never service damaged battery packs.** Service of battery packs should only be performed by the manufacturer or authorized service providers.

⚠ WARNING: Read all safety warnings, instructions, illustrations and specifications provided with this power tool. Failure to follow all instructions listed below may result in electric shock, fire and/or serious injury. Save all warnings and instructions for future reference.
Save all warnings and instructions for future reference.

TRAINING

- Read the instructions carefully. Be familiar with the controls and the proper use of the machine.
- Never allow people unfamiliar or children with these instructions to use the appliance. Local regulations can restrict the age of the operator.
- Keep in mind that the operator or user is responsible for accidents or hazards occurring to other people or their property.

PREPARATION

- Never operate the machine while people, especially children, or pets are nearby.
- Wear eye protection and stout shoes at all times while operating the machine.
- The distance between the machine and bystanders shall be at least 15m.
- Never operate the machine while the operator is tired, ill or under the influence of alcohol or other drugs.

OPERATION

- Use the machine only in daylight or good artificial light.
- Never operate the machine with damaged guards or shields or without guards or shields in place.
- Switch on the motor only when the hands and feet are away from the cutting means.
- Always disconnect the machine from the power supply (i.e. remove the battery pack).
 - whenever leaving the machine unattended;
 - before clearing a blockage;
 - before checking, cleaning or working on the machine.

- after striking a foreign object;
- whenever the machine starts vibrating abnormally.
- Take care against injury to feet and hands from the cutting means.
- Always ensure that the ventilation openings are kept clear of debris.

MAINTENANCE AND STORAGE

- Disconnect the machine from the power supply (i.e. remove the battery pack) before carrying out maintenance or cleaning work.
- Use only the manufacturer's recommended replacement parts and accessories.
- Inspect and maintain the machine regularly. Have the machine repaired only by an authorized repairer.
- When not in use, store the machine out of the reach of children.

OTHER SAFETY WARNINGS

- **Avoid Dangerous Environments** – Don't use appliances on damp or wet slope.
- **Keep guards in place and in working order.**
- **Keep hands and feet away from the cutting area.**
- **To reduce the risk of injury, never work on a ladder or on any other insecure support. Never hold the cutting unit above waist height.**
- **Check the cutting unit at regular short intervals during operation, or immediately if there is a noticeable change in cutting behavior.**
- **For best results, your battery should be charged in a location where the temperature is greater than 5° C and less than 40° C.** Do not store it outside or in vehicles.
- **If you are approached, stop the motor and cutting unit.**
- **Warn the operator of the danger of blade thrust (only using with 3-teeth blade).**
 - Blade thrust may occur when the spinning blade contacts an object that it does not immediately cut.
 - Blade thrust can be violent enough to cause the unit and/or operator to be propelled in any direction, and possibly lose control of the unit.
 - Blade thrust can occur without warning if the blade snags, stalls or binds.
 - Blade thrust is more likely to occur in areas where it is difficult to see the material being cut.
- **Do not attach any blade to a unit without proper installation of all required parts. Failure to use the proper parts can cause the blade to fly off and**

seriously injure the operator and/or bystanders. Discard blades that are bent, warped, cracked, broken, or damaged in any way. Use a sharp blade. A dull blade is more likely to snag and thrust (only using with 3-teeth blade).

- **A coasting blade/line can cause injury while it continues to spin after the motor is stopped or trigger is released. Maintain proper control until the blade/line has completely stopped rotating.**
- Use only with battery packs and chargers listed in fig.A.
- **Battery tools do not have to be plugged into an electrical outlet; therefore, they are always in operating condition.** Be aware of possible hazards even when the tool is not operating. Take care when performing maintenance or service.
- **Do not wash with a hose; avoid getting water in motor and electrical connections.**
- **If situations occur that are not covered in this manual, use care and good judgment. Contact the EGO Customer Service Center for assistance.**

SAVE THESE INSTRUCTIONS!

SPECIFICATIONS

Voltage	56 V $\overline{\text{---}}$	
No-load Speed	4000-5800 /min	
Cutting Mechanism	Bump Head	
Cutting Line Type	2.4mm nylon twist line	
Cutting Width	38 cm	
Recommended Operating Temperature	0°C-40°C	
Recommended Storage Temperature	-20°C-70°C	
Weight (without battery pack)	3.2 kg	
Measured sound power level L_{WA}	92.6 dB(A) K=0.8 dB(A)	
Sound pressure level at operator's ear L_{PA}	72.6 dB(A) K=2.5 dB(A)	
Guaranteed sound power level L_{WA} (according to 2000/14/EC)	93 dB(A)	
Vibration a_h	Front-assist Handle	3.5 m/s ² K=1.5 m/s ²
	Rear Handle	2.1 m/s ² K=1.5 m/s ²

- The declared vibration total value has been measured in accordance with a standard test method and may be used for comparing one tool with another;
- The declared vibration total value may also be used in a preliminary assessment of exposure.

NOTICE: The vibration emission during actual use of the power tool can differ from the declared value in which the tool is used; In order to protect the operator, user should wear gloves and ear protectors in the actual conditions of use.

PACKING LIST

PART NAME	QUANTITY
Line Trimmer	1
Guard	1
Front-assist Handle Assembly	1
Shoulder Strap	1
Hex Wrench	1
Operator's Manual	1
Cutting line	1

DESCRIPTION

KNOW YOUR LINE TRIMMER (Fig. A)

1. Rear Handle
2. Switch Trigger
3. Lock-off Button
4. Adjustable Front-assist Handle
5. Shoulder Strap
6. Shaft
7. Guard
8. Battery-release Button
9. Latch
10. Electric Contacts
11. Ejection Mechanism
12. Trimmer Head (Bump Head)
13. Line-loading Button
14. Cutting line
15. Release Tab
16. Line-cutting Blade
17. Hexagon Wrench

ASSEMBLY

⚠ WARNING: If any parts are damaged or missing, do not operate this product until the parts are replaced. Use of this product with damaged or missing parts could result in serious personal injury.

⚠ WARNING: Do not attempt to modify this product or create accessories not recommended for use with this Line trimmer. Any such alteration or modification is misuse and could result in a hazardous condition leading to possible serious personal injury.

⚠ WARNING: To prevent accidental starting that could cause serious personal injury, always remove the battery pack from the tool when assembling parts.

MOUNTING THE GUARD

⚠ WARNING: Always wear gloves when mounting or replacing the guard. Take care of the blade on the guard and protect your hand from cutting.

⚠ WARNING: Never operate the tool without the guard firmly in place. The guard must always be on the tool to protect the user! When the guard is fixed, never attempt to remove or adjust the guard, if a replacement is needed, it should be performed by a qualified service technician!

Align the two bolts, which are pre-assembled on the guard, with the two screw holes in the shaft (Fig. B), and then tighten them with the supplied hex wrench (Fig. C).

Make sure the guard is fixed according to Fig. B & C, any reverse fixing will cause great danger!

MOUNTING AND ADJUSTING THE FRONT-ASSIST HANDLE

Push the front-assist handle onto the shaft (Fig. E), then insert the clamping block into the handle slot (Fig. F), mount the locking pole, and clamp them with the wing nut (Fig. G). The sequence is as Fig. D shown. Lastly, adjust the front-assist handle between the soft sleeve and the label to make sure your front arm is straight when using the trimmer (Fig. H) and then lock the lever of the locking pole (Fig. I).

Fig. D & H parts description see below:

D-1	Front-assist Handle	D-4	Wing Nut
D-2	Locking pole	H-1	Soft Sleeve
D-3	Clamping Block	H-2	Warning Label

NOTICE: The front-assist handle should be turned upwards to point toward the top of the rear handle.

⚠ WARNING: Only fix the front-assist handle between the soft sleeve and the label on the shaft.

⚠ WARNING: The tool can not be used without the front-assist handle securely fixed.

MOUNTING THE SHOULDER STRAP

1. Loosen and remove the bolt in the hook of the strap (Fig. J1 & J2).
2. Attach the hook onto the shaft as Fig. J3 shown and lock it with the bolt (Fig. J4).

⚠ WARNING: Only fix the hook of the strap between the housing and the soft sleeve on the shaft.

OPERATION

⚠ WARNING: Do not allow familiarity with this product to make you careless. Remember that a careless fraction of a second is sufficient to inflict serious injury.

⚠ WARNING: Always wear safety goggles or safety glasses with side shield, along with hearing protection. Failure to do so could result in objects being thrown into your eyes and other possible serious injuries.

⚠ WARNING: Do not use any attachments or accessories not recommended by the manufacturer of this product. The use of attachments or accessories not recommended can result in serious personal injury.

⚠ WARNING: To prevent serious personal injury, remove the battery pack from the tool before servicing, cleaning, changing attachments or removing material from the unit.

You may use this product for the purposes listed below:

Trimming: used for removing grass and weeds up against walls, fences, trees and borders.

Cutting: used for cutting the grass that is difficult to reach using a normal mower.

NOTICE: The tool is to be used only for its prescribed purpose. Any other use, for example edge trimming, is deemed to be a case of misuse.

ATTACHING/DETACHING THE BATTERY PACK

NOTICE: For better balance, when you use BA3360/BA4200/BA4200T/BA5600T batteries, please cooperate it with the backpack harness(BH1000).

Fully charge before first use.

To Attach

Align the battery ribs with the mounting slots and press the battery pack down until you hear a “click” (Fig. K2).

To Detach

Depress the battery-release button and pull the battery pack out as Fig. L shown.

Fig. K1 & K2 parts description see below:

K-1	BA3360/BA4200 /BA4200T/BA5600T battery pack	K-4	Latch
K-2	Adaptor	K-5	Battery-mounting Slot
K-3	Backpack harness		

HOLDING THE LINE TRIMMER

⚠ WARNING: Dress properly to reduce the risk of injury when operating this tool. Do not wear loose clothing or jewelry. Wear eye and ear/hearing protection. Wear heavy duty, long trousers, boots and gloves. Do not wear short trousers, sandals or go barefoot.

Before operating, hold the trimmer with both hands, one hand on the rear handle and the other on the front-assist handle which shall be straight (Fig. M). Then check for balanced footing and a proper cutting distance.

NOTICE: The trimmer head is parallel to the ground at a proper cutting distance without the operator bending over.

STARTING/STOPPING THE LINE TRIMMER

To Start

Press down the lock-off button then depress the trigger. Different pressure on the trigger results in variable rotating speed of the cutting line. More pressure, higher speed.

To Stop

Release the lock-off button and the trigger.

NOTICE: The motor runs only when the lock-off button and trigger are both pressed.

⚠ WARNING: Always remove the battery pack from the line trimmer during work breaks and after finishing work.

USING THE LINE TRIMMER

⚠ WARNING: To avoid serious personal injury, wear goggles or safety glasses at all times when operating this unit. Wear a face mask or dust mask in dusty locations.

Clear the area to be cut before each use. Remove all objects, such as rocks, broken glass, nails, wire, or line, that can be thrown or become entangled in the cutting attachment. Clear the area of children, bystanders, and pets. At a minimum, keep all children, bystanders and pets at least 15m away; there still may be risk to bystanders from thrown objects. Bystanders should be encouraged to wear eye protection. If you are approached, stop the motor and cutting attachment immediately.

Before each use, check for damage/worn parts

Check the bump head, guard and front-assist handle and replace the parts that are cracked, warped, bent, or damaged in any way.

The line-cutting blade on the edge of the guard can dull over time. It is recommended that you periodically sharpen it with a file or replace it with a new blade.

⚠ WARNING: Always wear gloves when mounting the guard or servicing the blade. Take care of the blade on the guard and protect your hand from cutting.

After each use, clean the trimmer.

⚠ CAUTION: Obstructions in the vents will prevent the air from flowing into the motor housing and result in overheating or damaged of the motor.

Use only mild soap and a damp cloth to clean the tool. Never let any liquid get inside the tool; never immerse any part of the tool into a liquid.

- Keep air vents in the motor housing from debris at all times.

⚠ WARNING: Never use water for cleaning your trimmer. Avoid using solvents when cleaning plastic parts. Most plastics are susceptible to damage from various types of commercial solvents. Use clean cloths to remove dirt, dust, oil, grease, etc.

TIPS FOR BEST TRIMMING RESULTS (FIG. N)

- The correct angle for the cutting attachment is parallel to the ground.
- Do not force the trimmer. Allow the very tip of the line to do the cutting (especially along walls). Cutting with more than the tip will reduce cutting efficiency and may overload the motor.
- The cutting height is determined by the distance of the cutting line from the lawn surface.
- Grass over 20cm should be cut by working progressively from top to the bottom in small increments to avoid premature line wear or motor drag.
- Slowly move the trimmer into and out of the area being cut, maintaining the cutting head position at the desired cutting height. This movement can be either a forward-backward motion or a side-to-side motion. Cutting shorter lengths produces best results.
- Trim only when grass and weeds are dry.
- Wire and picket fences can cause extra line wear or breakage. Stone and brick walls, curbs, and wood may wear line rapidly.
- Avoid trees and shrubs. Tree bark, wood moldings, siding, and fence posts can easily be damaged by the line.
- Fig. N parts description see below:

N-1	Best cutting area	N-2	Dangerous cutting area
-----	-------------------	-----	------------------------

ADJUSTING CUTTING LINE LENGTH

The trimmer head allows the operator to release more cutting line without stopping the motor. As line becomes frayed or worn, additional line can be released by lightly tapping the spool retainer on the ground while operating the trimmer (Fig. O).

NOTICE: Line release will become more difficult as the cutting line becomes shorter.

⚠ WARNING: Do not remove or alter the line cutting blade assembly. Excessive line length will cause the motor to overheat and may result in serious personal injury.

LINE REPLACEMENT

NOTICE: Always use the recommended nylon cutting line with a diameter that does not exceed 2.4 mm. Using line other than that specified may cause the line trimmer to overheat or become damaged.

⚠ WARNING: Never use metal-reinforced line, wire, or rope, etc. These can break off and become dangerous projectiles.

The line trimmer is equipped with an advanced auto-line winding system. The cutting line can be wound onto the spool simply by pressing a single button. Loading a full spool can usually be completed in 12 seconds. Avoid repeated operation of the winding system in rapid succession to reduce the possibility of motor damage.

1. Remove the battery pack.
2. Remove the remaining cutting line, if necessary. Simply pull it out by hand.
3. Cut one piece of cutting line (4m) long. Insert the line into the eyelet (Fig. P) and push the line until the end of the line comes out of the opposite eyelet.

Fig. P parts description see below:

P-1	Cutting Line	P-3	Eyelet
P-2	Lower Cover		

4. Remove the battery if it has been mounted onto the line trimmer in previous step.
5. Pull the line from the other side until equal lengths of the line appear on both sides of the trimmer head (Fig. Q).
6. Install the battery pack onto the string trimmer. Press and hold the line-loading button to start the line-winding motor. The line will be wound into the trimmer head continuously (Fig. R).
7. Watch the remaining line length carefully. Prepare to release the button as soon as approximately 18cm of line are left on each side. Briefly press the line-loading button to adjust the length until 14cm of the line is showing on each side.
8. Push down on the trimmer head while pulling on the lines to manually advance the line in order to check for proper assembly of the cutting line.

NOTICE: In case the line is pulled into the trimmer head by accident, open the head and pull the cutting line out from the spool. Follow the section "RELOAD THE CUTTING LINE" in this manual to reload the line.

RELOAD THE CUTTING LINE

When the cutting line breaks from the line outlet or the cutting line is not released when the trimmer head is tapped, follow the steps below to remove the remaining cutting line and reload the line.

1. Press the two release tabs on the trimmer head and remove the trimmer head by pulling it straight out (Fig. S-1 & S-2).
2. Remove the cutting line from the trimmer head and insert the spring into the slot in the lower cover assembly (Fig. T).
3. With one hand holding the trimmer, use another hand to grasp the lower cover assembly and align the slots in the lower cover assembly with the release tabs. Press the lower cover assembly until it snaps into place, at which time you will hear a distinct click sound (Fig. U).

4. Following the instructions in "LINE REPLACEMENT" to reload the cutting line.

Fig. S1 & T & U parts description see below:

S1-1	Lower Cover Assembly	U-1	Release Tab
S1-2	Release Tab	U-2	Slot
T-1	Spring		

TRIMMER HEAD REPLACEMENT

WARNING: If the head loosens after it is fixed in position, replace it immediately. Never use a trimmer with a loose cutting attachment. Replace a cracked, damaged or worn out cutting head immediately, even if damage is limited to superficial cracks. Such attachments may shatter at high speed and cause serious injury.

Remove the trimmer head

1. Remove the battery pack from the line trimmer.
2. Press the release tabs on the trimmer head and remove the lower cover assembly of the trimmer head by pulling it straight out (see Fig. S1 & S2).
3. Remove the cutting line from the trimmer head (Fig. V).
4. Take the spring out of the spool assembly, if necessary. Save it for reassembly.
5. Wear gloves. Use one hand to grasp the spool assembly to stabilize it, and use the other hand to hold an impact wrench to loosen the nut in a counterclockwise direction (Fig. W).
6. Remove the nut, washer, spool assembly and upper cover from the motor shaft (Fig. X).
7. Use circlip pliers to remove the circlip. Remove the fan assembly (Fig. Y).
8. Replace with a new trimmer head and mount it in following steps.

Fig. W & X & Y parts description see below:

W-1	Impact Wrench	X-4	Nut
X-1	Upper Cover	Y-1	Fan Assembly
X-2	Spool Assembly	Y-2	Circlip
X-3	Washer		

Install the new trimmer head

1. Align the key slot in the fan assembly with the spline in motor shaft and mount the fan assembly into place (Fig. Z).
2. Mount the circlip, upper cover, spool assembly, and washer in that order. Use an impact wrench on the nut to tighten it.

3. Following the instructions in **“RELOAD THE CUTTING LINE”** section in this manual to mount the lower cover assembly.
4. Follow the instructions in **“LINE REPLACEMENT”** section in this manual to reload the cutting line.
5. Start the tool to see whether the line trimmer will work normally. If it does not, reassemble as described above.
4. Carefully file the cutting edges of the blade with a fine-tooth file or sharpening stone, maintaining the original cutting edge angle.
5. Replace the blade on the guard and secure it in place with the two screws.

Fig. Z parts description see below:

Z-1	Spline	Z-2	Key Slot
-----	--------	-----	----------

STORING THE UNIT

- Remove the battery pack from the line trimmer when it is not in use.
- Clean the tool thoroughly before storing it.
- Store the unit in a dry, well-ventilated area, locked-up or up high, out of the reach of children. Do not store the unit on or adjacent to fertilizers, petrol, or other chemicals.

MAINTENANCE

⚠ WARNING: When servicing, use only identical replacement parts. Inspect and maintain the machine regularly. To ensure safety and reliability, all repairs should be performed by a qualified service technician.

⚠ WARNING: Battery tools do not have to be plugged into an electrical outlet; therefore, they are always in operating condition. To prevent serious personal injury, take extra precautions and care when performing maintenance, service or for changing the cutting attachment or other attachments.

⚠ WARNING: To prevent serious personal injury, remove the battery pack from the tool before servicing, cleaning, changing add-on attachments or removing material from the unit.

CLEANING THE UNIT

- Clean the unit using a damp cloth with a mild detergent.
- Do not use any strong detergents on the plastic housing or the handle. They can be damaged by certain aromatic oils, such as pine and lemon, and by solvents such as kerosene. Moisture can also cause a shock hazard. Wipe off any moisture with a soft dry cloth.
- Use a small brush or the air discharge from a small vacuum cleaner brush to clean the air vents on the rear housing.

SHARPEN THE LINE-CUTTING BLADE

⚠ WARNING: Always protect your hands by wearing heavy gloves when performing any maintenance on the line-cutting blade.

1. Remove the line-cutting blade from the guard.
2. Wear proper eye protection and gloves and be careful not to cut yourself.
3. Secure the blade in a vise.

Protecting the environment



Do not dispose of electrical equipment, battery charger and batteries/rechargeable batteries into household waste!

According to the European law 2012/19/EU, electrical and electronic equipment that is no longer usable, and according to the European law 2006/66/EC, defective or used battery packs/batteries, must be collected separately.

If electrical appliances are disposed of in landfills or dumps, hazardous substances can leak into the groundwater and get into the food chain, damaging your health and well-being.

PROBLEM	CAUSE	SOLUTION
Line trimmer fails to start	<ul style="list-style-type: none"> ■ The battery pack is not attached to the line trimmer. ■ No electrical contact between the trimmer and battery. ■ The battery pack is depleted. ■ The lock-off button and trigger are not depressed simultaneously. 	<ul style="list-style-type: none"> ■ Attach the battery pack to the line trimmer. ■ Remove battery, check contacts and reinstall the battery pack. ■ Charge the battery pack. ■ Press down the lock-off button and hold it, then depress the trigger to turn on the line trimmer.
Line trimmer stops while cutting	<ul style="list-style-type: none"> ■ The guard is not mounted on the trimmer, resulting in an overly long cutting line and motor overload. ■ Heavy cutting line is used. ■ The motor shaft or trimmer head is bound with grass. ■ The motor is overloaded. ■ The battery pack or line trimmer is too hot. ■ The battery pack is disconnected from the tool. ■ The battery pack is depleted. 	<ul style="list-style-type: none"> ■ Remove the battery pack and mount the guard on the trimmer. ■ Use recommended nylon cutting line with diameter no greater than 2.4mm. ■ Stop the trimmer, remove the battery, and remove the grass from the motor shaft and trimmer head. ■ Remove the trimmer head from the grass. The motor will recover to work as soon as the load is removed. When cutting, move the trimmer head in and out of the grass to be cut and remove no more than 20cm of length in a single cut. ■ Allow the battery pack or trimmer to cool until the temperature drops below 67°C. ■ Re-install the battery pack. ■ Charge the battery pack.

PROBLEM	CAUSE	SOLUTION
Trimmer head will not advance line	<ul style="list-style-type: none"> ■ The motor shaft or trimmer head is bound with grass. ■ There is not enough line in the spool retainer. ■ The trimmer head is dirty. ■ Line is tangled in the spool retainer. ■ The line is too short. 	<ul style="list-style-type: none"> ■ Stop the trimmer, remove the battery, and remove the grass from the motor shaft and trimmer head. ■ Remove the battery and replace the cutting line; follow the section “LINE REPLACEMENT” in this manual. ■ Remove the battery and clean the spool retainer and spool base. ■ Remove the battery, remove the line from the spool retainer and rewind; follow the section “LINE REPLACEMENT” in this manual. ■ Remove the battery and pull the lines while alternately pressing down on and releasing the trimmer head.
Grass wraps around trimmer head and motor housing	<ul style="list-style-type: none"> ■ Cutting tall grass at ground level. 	<ul style="list-style-type: none"> ■ Cut tall grass from the top down, removing no more than 20cm in each pass to prevent wrapping.
The blade is not cutting the line.	<ul style="list-style-type: none"> ■ The line-cutting blade on the edge of the guard has become dull. 	<ul style="list-style-type: none"> ■ Sharpen the line-cutting blade with a file or replace it with a new blade.
Cracks on the trimmer head or the spool retainer comes loose with spool base.	<ul style="list-style-type: none"> ■ The trimmer head is worn out. 	<ul style="list-style-type: none"> ■ Replace the trimmer head immediately performed by a qualified service technician.
During line replacement, the line can't be loaded into the trimmer head properly.	<ul style="list-style-type: none"> ■ Spool retainer's LOAD lines do not align with the eyelets in the spool base. ■ The string line is not correctly inserted into the mounting hole in the eyelet. 	<ul style="list-style-type: none"> ■ Rotate the spool retainer in the arrow direction to align the LOAD lines on the spool retainer with the eyelets in the spool base. ■ Align the LOAD lines with the eyelets first, then insert the line into the mounting hole inside the eyelet.

WARRANTY

EGO WARRANTY POLICY

Please visit the website egopowerplus.com for full terms and conditions of the EGO Warranty policy.

LESEN SIE ALLE ANWEISUNGEN!

DE



LESEN SIE DIE BEDIENUNGSANLEITUNG

⚠ Restrisiko! Menschen mit elektronischen Geräten, wie z.B. Herzschrittmachern, sollten ihren Arzt konsultieren, bevor sie dieses Gerät verwenden. Die Bedienung von Elektrogeräten in unmittelbarer Nähe zu Herzschrittmachern kann zu Interferenzen und Störungen des Schrittmachers führen.

⚠ WARNUNG: Um die Sicherheit und Zuverlässigkeit zu gewährleisten, sollten alle Reparaturen und der Austausch von Teilen nur von qualifizierten Servicetechnikern durchgeführt werden.

SICHERHEITSSYMBOL

Der Zweck von Warnsymbolen besteht darin, Ihre Aufmerksamkeit auf mögliche Gefahren zu lenken. Die Warnsymbole und deren Erklärungen verdienen Ihre vollste Aufmerksamkeit und Beachtung. Durch die Warnsymbole allein sind die Gefahren noch nicht ausgeschaltet. Die Anweisungen und Warnhinweise stellen keinen Ersatz für angemessene Unfallverhütungsmaßnahmen dar.

⚠ WARNUNG: Achten Sie darauf, dass Sie, bevor Sie das Gerät benutzen, alle Sicherheitsanweisungen dieser Bedienungsanleitung gelesen und verstanden haben, einschließlich aller Gefahrenzeichen wie „VORSICHT“, „WARNUNG“ und „ACHTUNG“. Die Nichtbeachtung der unten angeführten Anweisungen kann zu Stromschlägen, Feuer und/oder schweren Personenschäden führen.

SYMBOLBEDEUTUNG

⚠ SYMBOL FÜR SICHERHEITSWARNUNGEN: Weist auf GEFAHR, eine WARNUNG oder VORSICHT hin. Kann zusammen mit anderen Symbolen oder Bildern verwendet werden.

SICHERHEITSHINWEISE

Diese Seite zeigt und beschreibt die Sicherheitssymbole, die auf diesem Produkt erscheinen können. Lesen, verstehen und befolgen Sie die Anleitungen auf der Maschine, bevor Sie versuchen, die Maschine zusammenzubauen oder zu bedienen.

	Sicherheitswarnung	Weist auf mögliche Verletzungsgefahr hin.
	Lesen sie alle anweisungen!	Um das Verletzungsrisiko zu verringern, muss der Benutzer die Bedienungsanleitung vor der Verwendung des Gerätes gelesen und verstanden haben.
	Augenschutz tragen	Tragen Sie immer eine Schutzbrille, möglichst mit Seitenschutz, und einen Gesichtsschutz, wenn Sie das Gerät bedienen.
	Tragen Sie einen Gehörschutz.	Tragen Sie immer einen Lärmschutz (Ohrenstöpsel oder Kapselgehörschutz), um Ihr Gehör zu schützen.
	Tragen Sie einen Gehörschutz.	Tragen Sie immer einen Gehörschutz, wenn Sie das Gerät bedienen.
	Fadendurchmesser	Der Durchmesser des Nylonfadens
	Kopfschutz tragen	Tragen Sie einen geprüften Helm, um Ihren Kopf zu schützen.
	Schutzhandschuhe tragen	Schützen Sie Ihre Hände mit Handschuhen, wenn Sie das Gestrüppmesser oder die Messerschutzabdeckung anfassen. Robuste, rutschfeste Handschuhe verbessern Ihre Griffsicherheit und schützen Ihre Hände.
	Schutzschuhe tragen	Tragen Sie beim Gebrauch dieses Gerätes rutschfeste Sicherheitsschuhe.
	Vorsicht - Rückschlaggefahr	Warnen Sie den Benutzer vor der Rückschlaggefahr.
	Querschläger und Unbefugte Personen fernhalten	Herumgeschleuderte Objekte können abrallen und Verletzungen oder Sachschäden verursachen. Stellen Sie bei Betrieb sicher, dass andere Personen und Haustiere sich von dem Gestrüppschneider fernhalten.

	Unbefugte Personen fernhalten	Stellen Sie bei Betrieb sicher, dass andere Personen und Haustiere mindestens 15 m von dem Rasentrimmer entfernt sind.
	Kein rundes Messer	Keine runden Messer installieren.
	Vor Regen schützen	Nicht im Regen verwenden oder bei Regen im Freien liegen lassen.
	CE	Dieses Produkt erfüllt die anwendbaren EG-Richtlinien.
	WEEE	Elektro- und Elektronik-Altgeräte dürfen nicht im Hausmüll entsorgt werden. Bringen Sie das Gerät zu einem zugelassenen Recyclinghof.
	Geräusch	Garantierter Schalleistungspegel Geräuschemission an die Umgebung gemäß Richtlinie der Europäischen Gemeinschaft
V	Volt	Spannung
	Gleichstrom	Stromart oder Merkmal des Stroms
n_0	Leerlaufdrehzahl	Drehzahl im Leerlauf
min^{-1}	pro Minute	Umdrehungen pro Minute

ALLGEMEINE SICHERHEITSHINWEISE ZU ELEKTROWERKZEUGEN

⚠️ WARNUNG: Lesen Sie alle Sicherheitshinweise, Anweisungen, Abbildungen und Spezifikationen, die mit diesem Elektrowerkzeug geliefert werden. Die Nichtbeachtung der unten aufgeführten Anleitungen kann zu Stromschlägen, Feuer und/oder schweren Verletzungen führen.

Bewahren Sie alle Warn- und Bedienhinweise für Nachschlagezwecke auf.

Unter den Begriff „Elektrowerkzeug“ in den Warnhinweisen fallen Ihre netzbetriebenen (d. h. schnurgebundenen) oder akkubetriebenen (d. h. schnurlosen) Elektrowerkzeuge.

SICHERHEIT IM ARBEITSBEREICH

- Halten Sie den Arbeitsbereich stets sauber und gut beleuchtet. Nicht aufgeräumte oder dunkle Bereiche können Unfälle provozieren.
- Verwenden Sie das Elektrowerkzeug nicht in explosionsgefährdeten Umgebungen wie z. B. in Gegenwart von entzündlichen Flüssigkeiten, Gasen oder Staub. Elektrowerkzeuge erzeugen Funken, die Staub oder Dämpfe entzünden können.
- Halten Sie Schaulustige und Kinder beim Arbeiten mit dem Elektrowerkzeug fern. Ablenkungen können dazu führen, dass Sie die Kontrolle verlieren.

PERSONENSICHERHEIT

- **Seien Sie wachsam, geben Sie darauf Acht, was Sie tun, und benutzen Sie Ihren gesunden Menschenverstand, wenn Sie das Elektrowerkzeug verwenden. Betreiben Sie das Gerät nicht, wenn Sie müde sind oder unter dem Einfluss von Drogen, Alkohol oder Medikamenten stehen.** Ein Moment der Unachtsamkeit kann zu ernsthaften Verletzungen führen.
- **Tragen Sie eine persönliche Schutzausrüstung. Tragen Sie immer einen Augenschutz.** Durch eine für die jeweiligen Bedingungen geeignete Schutzausrüstung wie etwa eine Staubschutzmaske, rutschfeste Schuhe, Helm oder Gehörschutz lässt sich die Verletzungsgefahr verringern.
- **Ungewollten Motorstart verhindern. Vor dem Anschließen an eine Steckdose und/oder einen Akku und vor dem Aufheben oder Transportieren des Werkzeugs immer kontrollieren, ob der Betriebsschalter ausgestellt ist.** Unfälle sind vorprogrammiert, wenn Sie Elektrowerkzeuge mit einem Finger am Netzschalter tragen oder Elektrowerkzeuge mit eingeschaltetem Netzschalter an eine Steckdose anschließen.
- **Entfernen Sie alle Einstellschlüssel oder Schraubenschlüssel, bevor Sie das Elektrowerkzeug einschalten.** Ein Schraubenschlüssel oder ein Schlüssel, der noch an einem beweglichen Teil des Elektrowerkzeuges befestigt ist, kann zu Verletzungen führen.
- **Nicht überstrecken. Achten Sie stets auf einen festen Stand und halten Sie das Gleichgewicht.** Dies ermöglicht eine bessere Kontrolle über das Elektrowerkzeug in unerwarteten Situationen.
- **Tragen Sie angemessene Kleidung. Tragen Sie keine weite Kleidung oder Schmuck. Halten Sie Ihr Haar, Ihre Kleidung und Handschuhe von den beweglichen Teilen fern.** Weite Kleidung, Schmuck oder langes Haar können sich in den beweglichen Teilen verfangen.

- **Wenn Komponenten zum Anschluss an eine Absauganlage und an Auffangvorrichtungen mitgeliefert werden, achten Sie darauf, dass diese ordnungsgemäß befestigt und benutzt werden.** Durch eine Staubabsaugvorrichtung lassen sich Gefahrenquellen durch Staub ausschalten.
- **Lassen Sie sich nicht durch die aufgrund häufiger Benutzung entstandene Vertrautheit mit Werkzeugen dazu verleiten, unachtsam zu werden und die für Werkzeuge geltenden Sicherheitsgrundsätze zu ignorieren.** Eine fahrlässige Handlung kann bereits im Bruchteil einer Sekunde zu schweren Verletzungen führen.

GEBRAUCH UND PFLEGE DES ELEKTROWERKZEUGS

- **Üben Sie keinen übermäßigen Druck auf das Elektrowerkzeug aus. Verwenden Sie geeignetes Elektrowerkzeug für die jeweiligen Arbeiten.** Durch das passende Elektrowerkzeug lassen sich die Arbeiten besser und sicherer in dem jeweils vorgesehenen Tempo erledigen.
- **Verwenden Sie das Elektrowerkzeug nicht, wenn sich der Schalter nicht ein- und ausschalten lässt.** Ein Elektrowerkzeug, das sich über den Schalter nicht betätigen lässt, ist gefährlich und muss repariert werden.
- **Bewahren Sie nicht benutzte Elektrowerkzeuge außerhalb der Reichweite von Kindern auf und verbieten Sie Personen die Gerätebenutzung, die das Elektrowerkzeug oder diese Anweisungen nicht kennen.** In den Händen ungeübter Benutzer stellen Elektrowerkzeuge eine große Gefahr dar.
- **Warten Sie Elektrowerkzeuge und Zubehörteile. Achten Sie auf falsch ausgerichtete oder fest sitzende Bauteile, Bruchstellen und sonstige Umstände, die die Funktion des Elektrowerkzeuges beeinträchtigen können. Lassen Sie beschädigte Elektrowerkzeuge reparieren, bevor Sie sie wieder einsetzen.** Viele Unfälle entstehen durch schlecht gewartete Elektrowerkzeuge.
- **Halten Sie Schneidwerkzeuge scharf und sauber.** Sachgemäß gewartete Schneidwerkzeuge mit scharfen Schneiden neigen weniger zum Festfahren und sind leichter zu kontrollieren.
- **Benutzen Sie das Elektrowerkzeug, Zubehör, Werkzeuteile usw. gemäß diesen Anweisungen und berücksichtigen Sie dabei die Arbeitsbedingungen und die auszuführende Arbeit.** Die Verwendung des Elektrowerkzeugs für Aufgaben, die von seinem bestimmungsgemäßen Zweck abweichen, können zu gefährlichen Situationen führen.
- **Halten Sie die Griffe und Grifffläche trocken, sauber und frei von Öl und Fett.** Rutschige Griffe und Griffflächen beeinträchtigen die sichere Handhabung des Werkzeugs und führen in unerwarteten Situationen zum Verlust der Kontrolle über das Werkzeug.
- **Halten Sie Kabel vom Arbeitsbereich des Werkzeugs fern.** Während der Arbeiten können Kabel verdeckt oder verborgen sein und versehentlich von dem Werkzeug beschädigt werden.

BENUTZUNG UND PFLEGE VON AKKUWERKZEUGEN

- **Laden Sie den Akku nur mit dem vom Hersteller angegebenen Ladegerät auf.** Ein Ladegerät, das für einen bestimmten Akkutyp geeignet ist, kann bei der Benutzung eines anderen Akkus zu einer Brandgefahr werden.
- **Benutzen Sie für die Elektrowerkzeuge nur die jeweils zugehörigen Akkus.** Durch die Verwendung anderer Akkus besteht Verletzungs- und Brandgefahr.
- **Wenn der Akku nicht benutzt wird, halten Sie ihn von anderen metallischen Objekten fern, wie Büroklammern, Münzen, Schlüssel, Nägel, Schrauben oder anderen kleinen Metallgegenständen, die eine Verbindung zwischen den Batteriekontakten herstellen können.** Das Kurzschließen der Batteriekontakte kann Verbrennungen oder Brände verursachen.
- **Bei unsachgemäßer Anwendung kann Flüssigkeit aus dem Akku austreten; Kontakt vermeiden. Bei versehentlichem Kontakt sofort mit Wasser spülen. Falls Flüssigkeit in die Augen geraten ist, suchen Sie außerdem einen Arzt auf.** Aus dem Akku austretende Flüssigkeit kann Reizungen oder Verbrennungen verursachen.
- **Benutzen Sie keinen Akku oder ein Werkzeug, das beschädigt oder umgebaut wurde.** Beschädigte oder umgebaute Akkus können sich unvorhergesehen verhalten, wodurch möglicherweise ein Brand, eine Explosion oder Verletzungen verursacht werden.
- **Setzen Sie einen Akku oder ein Werkzeug keinem Feuer oder extremen Temperaturen aus.** Feuer oder Temperaturen über 100 °C können eine Explosion verursachen.
- **Beachten Sie alle Ladeanleitungen und laden Sie den Akku oder das Werkzeug nicht außerhalb des in den Anleitungen angegebenen Temperaturbereichs auf.** Das unsachgemäße Aufladen oder Laden außerhalb des angegebenen Temperaturbereichs kann den Akku beschädigen und die Brandgefahr erhöhen.

REPARATUR

- **Lassen Sie Ihr Elektrowerkzeug von einer qualifizierten Fachkraft und nur unter Verwendung identischer Ersatzteile reparieren.** Nur so kann für die Sicherheit des Elektrowerkzeugs gesorgt werden.
- **Reparieren Sie unter keinen Umständen beschädigte Akkus.** Die Reparatur von Akkus sollte ausschließlich von dem Hersteller oder autorisierten Serviceanbietern vorgenommen werden.

⚠️ WARNUNG: Beachten Sie alle Warnhinweise, Anleitungen, Abbildungen und technischen Daten, die diesem Elektrowerkzeug beigelegt sind. Die Nichtbeachtung der unten aufgeführten Anleitungen kann zu Stromschlägen, Feuer und/oder schweren Verletzungen führen. Bewahren Sie alle Warn- und Bedienhinweise für Nachschlagezwecke auf. **Bewahren Sie alle Warn- und Bedienhinweise für Nachschlagezwecke auf.**

TRAINING

- Lesen Sie die Anweisungen aufmerksam. Machen Sie sich mit den Bedienelementen und der richtigen Handhabung des Gerätes vertraut.
- Allen Personen, denen die vorliegenden Anweisungen nicht bekannt sind, sowie Kindern muss die Nutzung des Geräts untersagt werden. Für das Mindestalter des Benutzers gelten örtliche Vorschriften.
- Beachten Sie, dass für Unfälle, Personen- oder Sachschäden Dritter der Bediener oder Nutzer des Geräts verantwortlich ist.

VORBEREITUNG

- Setzen Sie das Gerät nie in Betrieb, solange sich noch Personen, insbesondere Kinder, oder Haustiere in der Nähe aufhalten.
- Tragen Sie immer einen Augenschutz und robustes Schuhwerk, während Sie das Gerät benutzen.
- Zwischen dem Gerät und Passanten muss ein Sicherheitsabstand von mindestens 15 m eingehalten werden.
- Bei Müdigkeit, Krankheit oder unter Alkohol- oder Drogeneinfluss darf das Gerät auf keinen Fall in Betrieb gesetzt werden.

BEDIENUNG

- Nur bei Tageslicht oder unter gutem künstlichen Licht mit dem Gerät arbeiten.
- Bei beschädigten, fehlenden oder nicht angebrachten Schutzvorrichtungen darf das Gerät nicht in Betrieb gesetzt werden.

- Schalten Sie den Motor nur ein, wenn Hände und Füße nicht in der Nähe der Schneidwerkzeuge sind.
- Trennen Sie das Gerät immer von der Stromversorgung (d. h. entfernen Sie den Akku):
 - Wenn das Gerät unbeaufsichtigt hinterlassen wird
 - Beim Beseitigen von Blockaden
 - Vor dem Prüfen, Reinigen oder Arbeiten am Gerät
 - Nach einem Zusammenstoß mit einem Fremdkörper
 - Wenn das Gerät ungewöhnlich vibriert
- Schützen Sie Ihre Füße und Hände vor Verletzungen durch das Schneidwerkzeug.
- Stellen Sie immer sicher, dass die Lüftungsöffnungen frei von Ablagerungen bleiben.

WARTUNG UND LAGERUNG

- Trennen Sie das Gerät von der Stromversorgung (d. h. nehmen Sie den Akku heraus), bevor Sie das Gerät warten oder reinigen.
- Verwenden Sie nur vom Hersteller empfohlene Ersatzteile und Zubehör.
- Prüfen und warten Sie das Gerät regelmäßig. Lassen Sie das Gerät nur von einer autorisierten Servicewerkstatt reparieren.
- Wenn das Gerät nicht benutzt wird, lagern Sie es außer Reichweite von Kindern.

SONSTIGE SICHERHEITSHINWEISE

- **Vermeiden Sie gefährliche Umgebungen** – Benutzen Sie das Gerät nicht an feuchten oder nassen Böschungen.
- **Alle Schutzvorrichtungen müssen angebracht und intakt sein.**
- **Halten Sie Hände und Füße von dem Schneidbereich fern.**
- **Um das Verletzungsrisiko zu reduzieren, arbeiten Sie nie auf einer Leiter oder einem anderen wackeligen Untergrund. Halten Sie das Schneidwerk niemals über Taillenhöhe.**
- **Überprüfen Sie das Schneidwerk in regelmäßigen Abständen während des Betriebs oder sobald Sie eine Veränderung beim Schnittverhalten bemerken.**
- **Um die besten Ergebnisse zu erzielen, sollte Ihr Akku an einem Ort aufgeladen werden, an dem die Temperatur höher als 5° C und niedriger als 40° C ist.** Lagern Sie den Akku nicht draußen oder in Fahrzeugen.
- **Wenn jemand auf Sie zukommt, stellen Sie den Motor und das Schneidwerk ab.**

■ **Warnen Sie den Benutzer vor der Rückschlaggefahr (nur mit einem 3-zahnigen Messer benutzen).**

- Zu einem Rückschlag kann es kommen, wenn das rotierende Messer auf ein Objekt stößt, dass es nicht sofort schneiden kann.
- Ein Rückschlag kann so heftig sein, dass das Gerät und/oder der Benutzer in jede Richtung geschleudert werden können und der Benutzer möglicherweise die Kontrolle über das Gerät verliert.
- Ein Rückschlag kann plötzlich auftreten, wenn das Messer stecken bleibt, blockiert oder sich verklemmt.
- Ein Rückschlag kann eher an Stellen auftreten, wo es schwierig ist, das zu schneidende Material zu sehen.

■ **Befestigen Sie kein Messer an einem Gerät, ohne alle erforderlichen Teile sachgemäß zu installieren. Das Messer könnte sich lösen und dem Benutzer und/oder Umstehenden schwere Verletzungen zufügen, wenn nicht die richtigen Teile benutzt werden. Entsorgen Sie verbogene, verformte, gerissene, gebrochene oder in irgendeiner Weise beschädigte Messer. Benutzen Sie ein scharfes Messer. Ein stumpfes Messer wird eher stecken bleiben und einen Rückschlag verursachen (nur mit einem 3-zahnigen Messer benutzen).**

- Ein auslaufendes Messer/auslaufender Mähfaden kann Verletzungen verursachen, während es/er sich noch dreht, nachdem der Motor angehalten oder der Ein-/Ausschalter losgelassen wurde. Halten Sie das Gerät gut fest, bis das Messer/der Mähfaden vollkommen stillsteht.
- Nur mit akkus und ladegeräten verwenden, die in abb. A aufgeführt sind.
- **Akkubetriebene Werkzeuge müssen nicht an eine Steckdose angeschlossen werden; sie sind daher immer einsatzbereit.** Seien Sie sich möglicher Gefahren bewusst, selbst wenn das Werkzeug nicht eingeschaltet ist. Lassen Sie bei Wartungsarbeiten oder Reparaturen Vorsicht walten.
- **Waschen Sie das Gerät nicht mit dem Wasserschlauch; lassen Sie kein Wasser in den Motor und die elektrischen Verbindungen gelangen.**
- Falls Situationen auftreten, die nicht in dieser Bedienungsanleitung behandelt werden, gehen Sie vorsichtig und vernünftig vor. Reparaturanfragen richten Sie bitte an das EGO-Kundendienstzentrum.

TECHNISCHE DATEN

Spannung	56 V ---	
Leerlaufdrehzahl	4000-5800 min ⁻¹	
Schneidmechanismus	Fadenkopf	
Fadendurchmesser	2,4mm Nylon-Trimmerschnur	
Schnittbreite	38 cm	
Empfohlene Betriebstemperatur	0 - 40°C	
Empfohlene Lagertemperatur	-20°C-70°C	
Gewicht (ohne Akku)	3,2 kg	
Gemessener Schalleistungspegel L _{WA}	92,6 dB(A) K=0,8 dB(A)	
Schalldruckpegel auf das Gehör des Bedieners L _{PA}	72,6 dB(A) K=2,5 dB(A)	
Garantierter Schalldruckpegel L _{WA} (gemäß 2000/14/EG)	93 dB(A)	
Vibration a _h	Vorderer Haltegriff	3,5 m/s ² K=1,5 m/s ²
	Hinterer Griff	2,1 m/s ² K=1,5 m/s ²

- Der angegebene Schwingungs-Gesamtwert wurde in Übereinstimmung mit einer Standard-Testmethode gemessen und kann verwendet werden, um Werkzeuge miteinander zu vergleichen.
- Der angegebene Schwingungs-Gesamtwert kann auch als einleitende Feststellung der Belastung verwendet werden.

HINWEIS: Die beim Einsatz des Elektrowerkzeugs entstehenden Istvibrationen können von dem angegebenen Wert abweichen. Zum Schutz des Benutzers sollten Handschuhe und ein Gehörschutz während des Geräteinsatzes getragen werden.

HEBEN SIE DIESE ANLEITUNG AUF

PACKLISTE

TEILENAME	MENGE
Fadenmaher	1
Schutzabdeckung	1
Einheit des vorderen Haltegriffs	1
Schultergurt	1
Sechskantschlüssel	1
Bedienungsanleitung	1
Mähfaden	1

BESCHREIBUNG

AUFBAU (Abb. A)

1. Hinterer Griff
2. Schalterabzug
3. Verriegelungsschalter
4. Verstellbarer vorderer Haltegriff
5. Schultergurt
6. Schaft
7. Fadenschutz
8. Akku-Freigabeknopf
9. Riegel
10. Elektrische Kontakte
11. Ausstoßmechanismus
12. Mähkopf
13. Fadenwickelschalter
14. Mähfaden
15. Freigabelasche
16. Fadenabschneider
17. Sechskantschlüssel

MONTAGE

⚠️ WARNUNG: Wenn Teile beschädigt sind oder fehlen, darf das Gerät erst in Betrieb genommen werden, wenn alle Teile vollständig angebracht sind. Die Verwendung des Geräts mit beschädigten oder fehlenden Teilen kann zu schweren Verletzungen führen.

⚠️ WARNUNG: Versuchen Sie nicht, dieses Produkt zu verändern oder Zubehörteile zu verwenden, die für den Einsatz des Rasentrimmers nicht empfohlen werden. Derartige Änderungen oder Umbauten stellen eine Zweckentfremdung dar und können gefährliche Arbeitsbedingungen hervorrufen, bei denen eine schwere Verletzungsgefahr besteht.

⚠️ WARNUNG: Um einen unbeabsichtigten Geräteanlauf bei der Montage von Teilen zu verhindern, muss der Akku vom Gerät abgenommen werden, andernfalls besteht schwere Verletzungsgefahr.

MONTIEREN DES FADENSCHUTZES

⚠️ WARNUNG: Tragen Sie beim Anbringen oder Auswechseln des Fadenschutzes immer Handschuhe.. Achten Sie auf das Messer am Fadenschutz und passen Sie auf, dass Sie sich nicht schneiden.

⚠️ WARNUNG: Setzen Sie das Werkzeug nur in Betrieb, wenn der Fadenschutz fest angebracht ist. Der Fadenschutz muss zum dauerhaften Schutz des Benutzers immer am Werkzeug befestigt sein! Wenn der Fadenschutz montiert ist, darf er weder entfernt noch justiert werden. Falls dieser ersetzt werden muss, wenden Sie sich an eine qualifizierte Werkstatt!

Setzen Sie die beiden vormontierten Schrauben des Fadenschutzes vor den Bohrungen in der Welle (Abb. B) an und ziehen Sie sie mit dem mitgelieferten Sechskantschlüssel fest (Abb. C).

Vergewissern Sie sich, dass die Schutzabdeckung gemäß Abb. B und C befestigt ist. Eine falsche Montage ist sehr gefährlich!

MONTIEREN DES VORDEREN HALTEGRIFFS

Montieren Sie den vorderen Haltegriff am Schaft (Abb. E). Führen Sie das Klemmstück dann in die Griffmulde (Abb. F) ein, montieren Sie die Arretierstange und klemmen Sie die Elemente mit der Flügelmutter (Abb. G) fest. Die Reihenfolge wird in Abb. D gezeigt. Stellen Sie den vorderen Haltegriff zum Schluss passend zwischen der flexiblen Muffe und dem Warnschild ein, dass Ihr Arm beim Trimmen gestreckt ist (Abb. H). Verriegeln Sie dann den Hebel der Arretierstange (Abb. I).

Teilebezeichnung der Abb. D & H siehe unten:

D-1	Vorderer Haltegriff	D-4	Flügelmutter
D-2	Arretierstange	H-1	Flexible Muffe
D-3	Klemmstück	H-2	Warnschild

HINWEIS: Der vordere Haltegriff sollte in Richtung des hinteren Griffs nach oben gedreht werden.

⚠️ WARNUNG: Befestigen Sie nur den vorderen Haltegriff zwischen der flexiblen Hülse und dem Warnschild am Schaft.

⚠️ WARNUNG: Ohne fest montierten vorderen Haltegriff kann das Werkzeug nicht benutzt werden.

BEFESTIGEN DES SCHULTERGURTS

1. Lockern und entfernen Sie die Schraube im Gurthaken (Abb. J1 & J2).
2. Montieren Sie den Haken am Schaft wie in Abb. J3 zu sehen, und befestigen Sie ihn mit der Schraube (Abb. J4).

⚠️ WARNUNG: Bringen Sie die Schelle ausschließlich zwischen dem Gehäuse und der flexiblen Muffe am Schaft an.

BEDIENUNG

⚠️ WARNUNG: Vermeiden Sie es, dass die Vertrautheit mit dem Produkt zu Nachlässigkeit führt. Denken Sie daran, dass ein kurzer Moment der Unachtsamkeit zu ernsthaften Verletzungen führen kann.

⚠️ WARNUNG: Tragen Sie stets eine Schutzbrille mit Seitenschutz sowie einen Gehörschutz. Andernfalls besteht die Gefahr, dass Gegenstände in Ihre Augen geschleudert werden oder andere schwere Verletzungen auftreten.

⚠️ WARNUNG: Verwenden Sie keine Aufsätze oder Zubehörteile, die nicht vom Hersteller dieses Produkts empfohlen worden sind. Die Verwendung von anderen und nicht empfohlenen Aufsätzen oder Zubehörteilen kann zu ernsthaften Verletzungen führen.

⚠️ WARNUNG: Um schwere Eigenverletzungen zu verhindern, entfernen Sie den Akku aus dem Werkzeug, bevor Sie das Gerät warten, reinigen, Aufsätze auswechseln oder Schnitgut aus dem Gerät entfernen.

Sie können dieses Produkt für die unten aufgeführten Zwecke einsetzen:

Trimmen: Zum Kürzen von Gras und Gräsern, die an Wänden, Zäunen, Bäumen und Kanten wachsen.

Schneiden: Zum Abschneiden von Gras, das sich mit einem normalen Rasenmäher schlecht erreichen lässt.

HINWEIS: Das Werkzeug darf nur für den dafür vorgesehenen Zweck eingesetzt werden. Jeder andere Geräteeinsatz wie z.B. das Schneiden von Hecken gilt als Zweckentfremdung.

ANBRINGEN/ABNEHMEN DES AKKUS

HINWEIS: Für ein besseres Gleichgewicht sollten Sie bei Verwendung eines BA3360/BA4200/BA4200T/BA5600T Akkus das Sicherheitsgeschirr (BH1000) tragen.

Laden Sie den Akku vor dem ersten Gebrauch voll auf.

Anbringen

Lassen Sie die Rippen am Akkugehäuse mit den Öffnungen am Gerät fluchten und schieben Sie den Akku bis zum hörbaren Einrasten in das Gerät (Abb. K2).

Abnehmen

Drücken Sie die Batterieentriegelung und ziehen Sie den Akku heraus (siehe Abb. L).

Teilebezeichnung der Abb. K1 & K2 siehe unten:

K-1	BA3360/BA4200/ BA4200T/BA5600T Akku	K-4	Verriegelung
K-2	Adapter	K-5	Akku- Befestigungsöffnung
K-3	Sicherheitsgeschirr		

FESTHALTEN DES RASENTRIMMERS

⚠️ WARNUNG: Tragen Sie geeignete Kleidung, um das Verletzungsrisiko bei der Benutzung des Werkzeugs zu reduzieren. Tragen Sie keine weite Kleidung oder Schmuck. Tragen Sie einen Augen- und Gehörschutz. Tragen Sie robuste lange Hosen, Stiefel und Handschuhe. Tragen Sie keine kurze Hose, Sandalen oder gehen Sie barfuß.

Halten Sie den Trimmer vor dem Einschalten fest in beiden Händen. Eine Hand hält den hinteren Griff und die andere den vorderen Haltegriff ganz fest (Ab. M). Sorgen Sie anschließend für einen festen Stand im Gleichgewicht und einen angemessenen Sicherheitsabstand beim Schneiden.

HINWEIS: Der Mähkopf ist parallel zum Boden und im richtigen Schneidabstand, wenn sich der Bediener nicht bücken muss.

EIN-/AUSSCHALTEN DES RASENTRIMMERS

Einschalten

Drücken Sie den Hebel zum Entriegeln hinunter und drücken Sie dann den Auslöser. Durch das Variieren des Drucks am Auslöser kann die Drehzahl des Trimmerfadens stufenlos verstellt werden. Je mehr Druck, desto schneller arbeitet das Gerät.

Ausschalten

Drücken Sie den Schalter zum Entriegeln hinunter und drücken Sie dann den Auslöser.

HINWEIS: Der Motor läuft nur, wenn der Schalter zum Entriegeln und der Auslöser gleichzeitig gedrückt werden.

⚠️ WARNUNG: Bei Arbeitspausen und nach Abschluss der Arbeit immer den Akku aus dem Rasentrimmer nehmen.

BENUTZUNG DES FADENMÄHERS

⚠️ WARNUNG: WARNUNG: Um schwere persönliche Verletzungen zu vermeiden, tragen Sie eine Schutzbrille oder Sicherheitsbrille, während Sie das Gerät bedienen. Tragen Sie eine Gesichts- oder Staubmaske in staubigen Bereichen.

Räumen Sie den Arbeitsbereich vor jedem Einsatz auf. Entfernen Sie alle Objekte, wie z.B. Steine, zerbrochenes Glas, Nägel, Drähte oder Fäden, die aus dem Gerät herausgeschleudert werden oder sich in der Schneidvorrichtung verfangen könnten. Halten Sie den Bereich von Kindern, Passanten und Haustieren frei. Halten Sie einen Mindestabstand von 15 m zu allen Kindern, Passanten und Haustieren ein; es besteht noch Gefahr durch umhergeschleuderte Gegenstände. Schaulustige sollten gebeten werden, Schutzbrillen aufzusetzen. Wenn jemand auf Sie zukommt, stellen Sie den Motor und das Schneidwerkzeug sofort ab.

Prüfen Sie vor jedem Gebrauch auf Schäden/abgenutzte Teile

Prüfen Sie den Fadenkopf, die Schutzabdeckung und den vorderen Haltegriff und ersetzen Sie die Teile, die in irgendeiner Weise gesprungen, verzogen, verbogen oder beschädigt sind.

Die Messerklinge am Rand der Schutzabdeckung kann im Laufe der Zeit stumpf werden. Es wird empfohlen, dass Sie die Klinge regelmäßig mit einer Feile schärfen oder gegen eine neue austauschen.

⚠️ WARNUNG: ragen Sie immer Handschuhe, wenn Sie den Fadenschutz montieren oder das Messer instandhalten. Achten Sie auf das Messer am Fadenschutz und schützen Sie Ihre Hände vor Schnitten.

Reinigen Sie den Rasentrimmer nach jedem Gebrauch.

⚠️ WARNUNG: Verstopfte Lüftungsschlitze verhindern, dass die Luft in das Motorgehäuse strömen kann, was zum Überhitzen oder Beschädigungen am Motor führen kann.

Verwenden Sie nur milde Seife und ein feuchtes Tuch zum Reinigen des Gerätes. Lassen Sie niemals Flüssigkeiten in das Werkzeug gelangen; tauchen Sie niemals einen Teil des Werkzeugs in Flüssigkeit.

- Halten Sie die Lüftungsschlitze im Motorgehäuse und Stiel immer frei von Ablagerungen.

⚠️ WARNUNG: Verwenden Sie niemals Wasser, um Ihren Fadenmäher zu reinigen. Verwenden Sie keine Lösungsmittel zum Reinigen der Kunststoffteile. Die meisten Kunststoffe können durch verschiedene Arten von handelsüblichen Lösungsmitteln beschädigt werden. Nehmen Sie einen sauberen Lappen, um Schmutz, Staub, Öl, Fett usw. zu entfernen.

TIPPS FÜR BESTE MÄHERGEBNISSE (ABB. N)

- Der korrekte Winkel des Schneidwerkzeugs ist parallel zum Boden.
- Üben Sie keinen Druck auf den Fadenmäher aus. Schneiden Sie mit der äußersten Spitze des Fadens (insbesondere entlang von Wänden). Das Schneiden mit dem gesamten Fadens anstatt nur mit der Spitze wird die Schnitteffizienz verringern und kann zu einer Überlastung des Motors führen.
- Die Schnitthöhe wird durch den Abstand des Mähfadens zur Rasenoberfläche bestimmt.
- Arbeiten Sie sich bei Gras, das höher als 20 cm steht, schrittweise von oben nach unten vor, um eine vorzeitige Abnutzung des Fadens oder Überlastung des Motors zu vermeiden.
- Bewegen Sie den Rasentrimmer langsam in und aus dem Arbeitsbereich und halten Sie dabei den Rasentrimmer in der gewünschten Schnitthöhe. Das kann entweder in einer Vorwärts-Rückwärts- oder seitlichen Hin- und Herbewegung erfolgen. Kürzere Längen zu schneiden, erzielt die besten Ergebnisse.
- Mähen Sie nur trockenes Gras und Unkraut.

- Draht- und Lattenzäune können den Faden zusätzlich abnutzen oder brechen. Stein- und Ziegelwände, Bordsteinkanten und Holz können Fäden schnell abnutzen.
- Vermeiden Sie Bäume und Hecken. Baumrinde, Holzleisten, Verkleidungen und Zaunpfähle können schnell durch den Faden beschädigt werden.

Teilebezeichnung der Abb. N siehe unten:

N-1	Bester Schnittbereich	N-2	Gefährliche Schnittzone
-----	-----------------------	-----	-------------------------

EINSTELLEN DER FADENLÄNGE

Der Mähkopf ermöglicht dem Benutzer, den Mähfaden zu verlängern, ohne den Motor anzuhalten. Wenn der Faden ausgefranst oder abgenutzt ist, kann mehr Faden freigegeben werden, indem Sie mit der Spulenhalterung leicht auf den Boden klopfen, während Sie den Trimmer benutzen (Abb. O).

HINWEIS: Das Nachführen des Fadens wird umso schwerer, je kürzer der Faden wird.

⚠ WARNUNG: Entfernen oder ändern Sie die Mähfaden-Einheit nicht. Überschüssige Fadenlänge führt dazu, dass sich der Motor überhitzt, und kann zu schweren persönlichen Verletzungen führen.

AUSWECHSELN DES FADENS

HINWEIS: Verwenden Sie stets die empfohlenen Nylonfäden mit maximal 2,4 mm Durchmesser. Durch andere Faden Durchmesser kann der Rasentrimmer überhitzen oder beschädigt werden.

⚠ WARNUNG: Verwenden Sie niemals mit Metall verstärkten Faden, Draht, Seil usw. Diese können abbrechen und zu gefährlichen Geschossen werden.

Der Rasentrimmer ist mit einer fortschrittlichen Aufwickelautomatik ausgestattet. Durch Betätigung eines einzigen Schalters kann der Mähfaden auf die Spule aufgewickelt werden. Das Laden einer vollen

Spule dauert in der Regel nicht länger als 12 Sekunden. Eine rasch wiederholte Betätigung der Aufwicklung sollte vermieden werden, um der Gefahr eines Motorschadens vorzubeugen.

1. Entfernen Sie den Akkusatz.
2. Entfernen Sie die Mähfadenreste soweit zutreffend. Ziehen Sie den Faden einfach mit der Hand heraus.
3. Trennen Sie ein 4 m langes Stück Mähfaden ab. Führen Sie den Faden durch die Öse (Abb. P) hindurch und schieben Sie ihn bis zum Ende durch, bis er aus der gegenüber befindlichen Öse austritt.

Teilebezeichnung der Abb. P siehe unten:

P-1	Mähfaden	P-3	Öse
P-2	Untere Spulenabdeckung		

4. Nehmen Sie den Akku ab, sofern dieser im vorherigen Schritt am Rasentrimmer angebracht wurde.
5. Ziehen Sie den Faden auf der anderen Seite heraus, bis die Fadenstücke auf beiden Seiten des Mähkopfs gleich lang sind (Abb. Q).
6. Setzen Sie den Akku in den Rasentrimmer ein. Halten Sie den Fadenwickelschalter gedrückt, um den Fadenwickelmotor zu starten. Der Faden wird stetig im Mähkopf aufgewickelt (Abb. R).
7. Achten Sie genau auf die restliche Fadenlänge. Halten Sie sich zum Loslassen des Schalters bereit, sobald etwa 18 cm des Fadens auf beiden Seiten übrig ist. Drücken Sie kurz den Fadenwickelschalter zum Einstellen der Länge, wenn 14 cm Faden auf beiden Seiten zu sehen sind.
8. Halten Sie den Mähkopf nach unten gedrückt fest und ziehen Sie an den Fäden, um sie weiter herauszubefördern und sie auf korrekten Sitz zu prüfen.

HINWEIS: Falls der Faden versehentlich in den Mähkopf gezogen wurde, öffnen Sie den Mähkopf und ziehen Sie den Mähfaden aus der Spule. Befolgen Sie zum Abwickeln des Fadens die Anweisungen im Abschnitt "MÄHFADEN ABWICKELN" in dieser Anleitung.

MÄHFADEN ABWICKELN

Wenn der Mähfaden vom Fadenauslass abreißt oder wenn der Mähfaden beim Klopfen auf den Mähkopf nicht freigegeben wird, gehen Sie wie folgt vor, um den übrigen Mähfaden zu beseitigen und den Faden abzuwickeln:

1. Drücken Sie die beiden Freigabelaschen am Mähkopf und ziehen Sie den Mähkopf ohne zu verkanten ab (Abb. S-1 u. S-2).
2. Nehmen Sie den Mähfaden vom Mähkopf ab und führen Sie die Feder in die Öffnung an der unteren Spulenabdeckung ein (Abb. T).
3. Halten Sie den Trimmer mit einer Hand fest. Lassen Sie mit der anderen Hand die Aussparungen in der unteren Spulenabdeckung mit den Freigabelaschen fluchten. Drücken Sie die untere Spulenabdeckung an, bis sie fest einrastet. Dies macht sich durch ein hörbares Klickgeräusch bemerkbar (Abb. U).

- Folgen Sie den Anweisungen unter "FADENWECHSEL", um den Mähfaden wieder einzusetzen.

Teilebezeichnung der Abb. S1, T & U siehe unten:

S1-1	Untere Spulenabdeckung	U-1	Freigabelasche
S1-2	Freigabelasche	U-2	Aussparung
T-1	Feder		

MÄHKOPF AUSWECHSELN

⚠️ WARNUNG: If the head loosens after it is fixed in position, replace it immediately. Never use a trimmer with a loose cutting attachment. Replace a cracked, damaged or worn out cutting head immediately, even if damage is limited to superficial cracks. Such attachments may shatter at high speed and cause serious injury.

Mähkopf abbauen

- Nehmen Sie den Akku vom Rasentrimmer ab.
- Drücken Sie die beiden Freigabelaschen am Mähkopf und ziehen Sie den Mähkopf ohne zu verkanten ab (siehe Abb. S1 u. S2).
- Nehmen Sie den Mähfaden vom Mähkopf ab (Abb. V).
- Ziehen Sie die ggf. die Feder aus der Spule. Heben Sie sie zur erneuten Montage auf.
- Ziehen Sie Handschuhe an. Halten Sie die Spule mit einer Hand fest und lösen Sie mit der anderen Hand und einem Schlagschrauber die Mutter gegen den Uhrzeigersinn (Abb. W).
- Montieren Sie die Mutter, U-Scheibe, Spule und die untere Abdeckung von der Motorwelle ab (Abb. X).
- Montieren Sie den Sicherungsring mit einer Seegerringzange ab. Entfernen Sie den Lüfter (Abb. Y).
- Setzen Sie einen neuen Mähkopf ein und montieren Sie ihn anhand folgender Schritte.

Teilebezeichnung der Abb. W, X und Y siehe unten:

W-1	Schlagschrauber	X-4	Mutter
X-1	Obere Spulenabdeckung	Y-1	Lüfter
X-2	Spule	Y-2	Sicherungsring
X-3	U-Scheibe		

Den neuen Mähkopf montieren

- Setzen Sie die Keilnut am Lüfter in die Verzahnung an der Motorwelle ein und montieren Sie den Lüfter an Ort und Stelle (Abb. Z).

- Montieren Sie den Sicherungsring, die obere Abdeckung, die Spule und die U-Scheibe in genau dieser Reihenfolge. Schrauben Sie die Mutter mit einem Schlagschrauber fest.
- Zur Montage der unteren Spulenabdeckung beachten Sie die Anweisungen im Abschnitt "MÄHFADEN ABWICKELN".
- Zum erneuten Einsetzen des Mähfadens beachten Sie die Anweisungen im Abschnitt "MÄHFADEN AUSWECHSELN" in dieser Anleitung.
- Schalten Sie das Gerät ein, um zu prüfen, ob der Trimmer regulär funktioniert. Falls nicht, wiederholen Sie die Montageschritte oben.

Teilebezeichnung der Abb. Z siehe unten:

Z-1	Verzahnung	Z-2	Keilnut
-----	------------	-----	---------

WARTUNG

⚠️ WARNUNG: Verwenden Sie für die Wartung nur identische Ersatzteile. Prüfen und warten Sie das Gerät regelmäßig. Um die Sicherheit und Zuverlässigkeit zu gewährleisten, sollten alle Reparaturen nur von qualifizierten Servicetechnikern durchgeführt werden.

⚠️ WARNUNG: Akkubetriebene Werkzeuge müssen nicht an eine Steckdose angeschlossen werden; sie sind daher immer einsatzbereit. Um schwere Verletzungen zu vermeiden, seien Sie beim Warten, Reparieren oder Auswechseln des Schneidaufsatzes oder anderer Aufsätze besonders vorsichtig und treffen Sie besondere Sicherheitsvorkehrungen.

⚠️ WARNUNG: Um schwere Verletzungen zu verhindern, entfernen Sie den Akku aus dem Werkzeug, bevor Sie das Gerät warten, reinigen, Aufsätze auswechseln oder Schnittgut aus dem Gerät entfernen.

REINIGEN DES GERÄTES

- Reinigen Sie das Gerät mithilfe eines feuchten Tuchs mit einem milden Reinigungsmittel.
- Verwenden Sie keine starken Reiniger auf dem Kunststoffgehäuse oder dem Griff. Sie können durch gewisse aromatische Öle, wie Pinie und Zitrone, sowie Lösungsmittel, wie z. B. Petroleum, beschädigt werden. Feuchtigkeit stellt zudem eine Stromschlaggefahr dar. Wischen Sie Feuchtigkeit mit einem weichen, trockenen Tuch ab.
- Reinigen Sie die Lüftungsschlitze am Motorgehäuse mit einer kleinen Bürste oder dem Luftstrom eines kleinen Staubsaugers.

FADENABSCHNEIDER NACHSCHLEIFEN

⚠️ WARNUNG: Schützen Sie immer Ihre Hände, indem Sie robuste Handschuhe tragen, wenn Sie Wartungsarbeiten am Fadenabschneider durchführen.

1. Bauen Sie den Fadenabschneider vom Schneidschutz ab.
2. Tragen Sie einen geeigneten Augenschutz und Handschuhe und passen Sie auf, dass Sie sich nicht schneiden.
3. Spannen Sie den Abschneider in einen Schraubstock ein.
4. Feilen Sie die Schneidkanten des Abschneiders vorsichtig mit einer feinen Feile oder einem Schleifstein an, ohne den ursprünglichen Schnittwinkel zu verändern.
5. Bringen Sie den Abschneider wieder am Schneidschutz an und ziehen Sie die beiden Schrauben fest.

AUFBEWAHREN DES GERÄTES

- Entfernen Sie den Akkusatz aus dem Fadenmäher, wenn er nicht benutzt wird.
- Reinigen Sie das Werkzeug gründlich, bevor Sie es verstauen.
- Lagern Sie das Gerät an einem trockenen, gut belüfteten Bereich, der sich abschließen lässt oder hoch gelegen ist, wo es außer Reichweite von Kindern ist. Lagern Sie das Gerät nicht auf oder neben Düngemitteln, Benzin oder Chemikalien.

Protecting the environment



Entsorgen Sie elektronische Geräte, Ladegeräte und Batterien/Akkus nicht im Hausmüll!

Gemäß der europäischen Rechtsnorm 2012/19/EG müssen elektrische und elektronische Geräte, die nicht mehr benutzt werden, separat gesammelt werden. Dasselbe trifft gemäß der europäischen Rechtsnorm 2006/66/EG auch auf defekte oder verbrauchte Batterien/Akkus zu.

Wenn elektrische Geräte auf Deponien oder Schutthalden entsorgt werden, dann können gefährliche Substanzen ins Grundwasser sickern und in die Nahrungskette übergehen, was Ihre Gesundheit und Ihr Wohlbefinden beeinträchtigen kann.

FEHLERBEHEBUNG

PROBLEM	URSACHE	LÖSUNG
Rasentrimmer lässt sich nicht starten	<ul style="list-style-type: none"> ■ Der Akkusatz ist nicht in den Fadenmäher eingesetzt ■ Kein elektrischer Kontakt zwischen Fadenmäher und Akku ■ Der Akku ist leer ■ Der Hebel zum Entriegeln und der Auslöser wurden nicht gleichzeitig gedrückt. 	<ul style="list-style-type: none"> ■ Befestigen Sie den Akkusatz am Fadenmäher ■ Entnehmen Sie den Akku, überprüfen Sie die Kontakte und setzen Sie ihn wieder ein ■ Laden Sie den Akkusatz auf ■ Halten Sie den Hebel zum Entriegeln gedrückt und drücken Sie dann den Auslöser, um den Rasentrimmer einzuschalten.
Fadenmäher stoppt während des Mahens	<ul style="list-style-type: none"> ■ Die Schutzabdeckung ist nicht am Fadenmäher montiert, was einen zu langen Faden und Motorüberlastung zu Folge hat ■ Es wird ein schwerer Mahfaden verwendet ■ Die Motorwelle oder der Mähkopf wird durch Gras blockiert ■ Der Motor ist überlastet ■ Der Akkusatz oder der Fadenmäher ist zu heiß ■ Der Akkusatz ist nicht mit dem Werkzeug verbunden ■ Der Akkusatz ist leer 	<ul style="list-style-type: none"> ■ Entfernen Sie die Akkusatz und befestigen Sie die Schutzabdeckung am Fadenmäher. ■ Verwenden Sie den empfohlenen Nylonmähfaden mit höchstens 2,4 mm Durchmesser. ■ Halten Sie den Fadenmäher an, entfernen Sie den Akku und entfernen Sie das Gras von der Motorwelle und Mähkopf. ■ Nehmen Sie den Mähkopf vom Rasen. Der Motor ist wieder einsatzbereit, sobald die Last entfernt wurde. Bewegen Sie beim Schneiden den Mähkopf in und aus dem Gras heraus und entfernen Sie nicht mehr als 20 cm Länge mit einem einzelnen Schnitt. ■ Lassen Sie den Akkusatz abkühlen, bis die Temperatur unter 67° C fällt. ■ Setzen Sie den Akkusatz wieder ein. ■ Laden Sie den Akkusatz auf.

PROBLEM	URSACHE	LÖSUNG
Mähkopf verlangert den Faden nicht	<ul style="list-style-type: none"> ■ Die Motorwelle oder der Mähkopf wird durch Gras blockiert ■ Es ist nicht mehr ausreichend Faden in der Spulenhaltung vorhanden. ■ Der Mähkopf ist verschmutzt ■ Faden hat sich in der Spulenhaltung verheddert. ■ Der Faden ist zu kurz 	<ul style="list-style-type: none"> ■ Halten Sie den Fadenmäher an, entfernen Sie den Akku und entfernen Sie das Gras von der Motorwelle und Mähkopf. ■ Entfernen Sie den Akku und wechseln Sie den Mähfaden aus; folgen Sie hierzu dem Abschnitt „AUSWECHSELN DES FADENS“ in dieser Bedienungsanleitung. ■ Entfernen Sie den Akku und reinigen Sie die Spulenhaltung und den Spulenboden. ■ Entfernen Sie den Akku, nehmen Sie den Faden aus der Spulenhaltung und wickeln Sie ihn wieder auf. Befolgen Sie dazu den Abschnitt "AUSWECHSELN DES FADENS" in dieser Bedienungsanleitung. ■ Entfernen Sie den Akku und ziehen Sie an den Fäden. Drücken Sie dabei abwechselnd den Mähkopf an und lassen Sie ihn wieder los.
Gras wickelt sich um den Mähkopf und das Motorgehäuse	<ul style="list-style-type: none"> ■ Hohes Gras wird auf Bodenebene geschnitten 	<ul style="list-style-type: none"> ■ Mähen Sie hohes Gras, indem Sie von oben nach unten mähen. Schneiden Sie dabei nicht mehr als 20 cm bei jedem Durchgang, um zu vermeiden, dass sich das Gras um das Gerät wickeln kann.
Abschneider trennt den Faden nicht ab.	<ul style="list-style-type: none"> ■ Das Messer zum Abschneiden des Fadens am Rand der Schutzabdeckung ist stumpf geworden 	<ul style="list-style-type: none"> ■ Schärfen Sie das Messer mit einer Feile oder wechseln Sie es durch eine neue Klinge aus.
Risse auf dem Mähkopf oder Spulenhaltung lockert sich von der Spulenboden.	<ul style="list-style-type: none"> ■ Der Mähkopf ist abgenutzt. 	<ul style="list-style-type: none"> ■ Lassen Sie den Mähkopf unverzüglich durch einen qualifizierten Kundendiensttechniker austauschen.
Beim Fadenwechsel kann der Faden nicht richtig in den Mähkopf eingezogen werden.	<ul style="list-style-type: none"> ■ Die Striche „LOAD“ der Spulenhaltung stimmen nicht mit den Ösen in der Spulenbasis überein. ■ Der Faden ist nicht richtig in die Montageöffnung in der Öse eingesetzt. 	<ul style="list-style-type: none"> ■ Drehen Sie die Spulenhaltung in Pfeilrichtung, bis die Striche "LOAD" auf der Spulenhaltung mit den Ösen in der Spulenbasis übereinstimmen. ■ Lassen Sie zuerst die Striche "LOAD" mit den Ösen fluchten und führen Sie dann den Faden in die Montageöffnung der Öse ein.

GARANTIE

EGO GEWÄHRLEISTUNGSRICHTLINIE

Bitte besuchen Sie unsere website egopowerplus.com mit den kompletten EGO Garantiebedingungen.

LISEZ TOUTES LES INSTRUCTIONS !



LISEZ LA NOTICE D'UTILISATION.

⚠ Risques résiduels ! Risques résiduels ! Les personnes portant des appareils électroniques, par exemple des stimulateurs cardiaques, doivent consulter leur(s) médecin(s) avant d'utiliser ce produit. L'utilisation d'un équipement électrique près d'un stimulateur cardiaque peut provoquer des interférences ou la panne du stimulateur cardiaque.

⚠ AVERTISSEMENT : Pour garantir la sécurité et la fiabilité, toutes les réparations et tous les changements de pièce doivent être effectués par un réparateur qualifié.

SYMBOLES DE SÉCURITÉ

L'objectif des symboles de sécurité est d'attirer votre attention sur des dangers potentiels. Les symboles de sécurité et les explications les accompagnant doivent être lus avec attention et compris. Les symboles de mise en garde ne permettent pas par eux-mêmes d'éliminer les dangers. Les consignes et mises en garde ne se substituent pas à des mesures de prévention appropriées des accidents.

⚠ AVERTISSEMENT : Avant d'utiliser cet outil, veuillez à lire et à comprendre toutes les consignes de sécurité du guide d'utilisation, notamment tous les symboles d'alerte de sécurité comme « **DANGER** », « **AVERTISSEMENT** » et « **MISE EN GARDE** ». Ne pas respecter toutes les consignes listées ci-après peut provoquer un choc électrique, un incendie et/ou des blessures corporelles graves.

SIGNIFICATION DES SYMBOLES

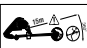






⚠ SYMBOLE DE MISE EN GARDE DE SÉCURITÉ : Indique un **DANGER**, un **AVERTISSEMENT** ou une **PRÉCAUTION**. Peut être utilisé en conjonction d'autres symboles ou pictogrammes.

CONSIGNES DE SÉCURITÉ

Cette page décrit des symboles de sécurité pouvant être présents sur le produit. Lisez, comprenez et respectez toutes les instructions présentes sur l'outil avant d'essayer de l'assembler et de l'utiliser.

	Alerte de sécurité	Indique un risque potentiel de blessure corporelle.
	Lisez le manuel d'utilisation	Pour réduire le risque de blessures, l'utilisateur doit lire et comprendre le manuel d'utilisation avant d'utiliser ce produit.
	Porter une protection oculaire	Toujours porter un masque de sécurité ou des lunettes de sécurité avec boucliers latéraux et un masque facial intégral lors de l'utilisation de ce produit.
	Porter une protection auditive	Toujours porter des barrières auditives (bouchons d'oreille ou casque anti-bruit) pour protéger vos capacités auditives.
	Largeur de coupe	Largeur de coupe maximale du taille-bordure
	Diamètre du fil	Le diamètre du fil de coupe en nylon.
	Porter une Protection de la Tête	Porter un casque de sécurité homologué pour protéger votre tête.
	Porter des Gants Protecteurs	Protéger vos mains avec des gants lors de la manipulation de la lame ou du protège-lame. Les gants antidérapants pour travaux lourds améliorent votre préhension et protègent vos mains.
	Porter des Chaussures de Sécurité	Porter des chaussures de sécurité antidérapantes pendant l'utilisation de cet équipement.
	Prendre garde au rebond de lame.	Mettre en garde l'opérateur contre le danger de rebond de lame.
	Ricochet et Maintenir les Autres Personnes Éloignées	Des objets projetés peuvent ricocher et provoquer des blessures corporelles ou des dommages matériels. Toujours veiller à ce que les autres personnes et les animaux restent éloignés de la débroussailleuse pendant son utilisation.

FR

	Maintenir les Autres Personnes Éloignées	Veiller à ce que les autres personnes et les animaux restent éloignés d'au moins 15 m de la débroussailleuse pendant son utilisation.
	Pas de lame ronde.	Ne pas installer de lame de coupe ronde.
	Ne pas exposer à la pluie.	Ne pas utiliser sous la pluie et ne pas laisser dehors quand il pleut.
	CE	Ce produit est conforme aux directives CE applicables.
	DEEE	Les produits électriques usagés ne doivent pas être jetés avec les ordures ménagères. Apportez-les dans un centre de recyclage agréé.
	Bruit	Niveau de puissance acoustique garanti. Émission de bruit dans l'environnement conformément à la directive CE.
V	Volt	Tension
	Courant continu	Type ou caractéristique du courant
n_0	Régime à vide	Vitesse de rotation sans charge
min^{-1}	Régime à vide	Tours par minute

CONSIGNES DE SÉCURITÉ GÉNÉRALES POUR L'OUTIL ÉLECTRIQUE

⚠ AVERTISSEMENT: Lisez toutes les consignes de sécurité, les instructions, les illustrations et les spécifications de sécurité fournies avec cet outil électrique. Ne pas respecter toutes les consignes indiquées ci-dessous peut provoquer une décharge électrique, un incendie et/ou des blessures graves. **Conservez toutes les consignes de sécurité et toutes les instructions pour consultation ultérieure.**

Le terme « outil électrique » utilisé dans les consignes de sécurité désigne votre outil électrique fonctionnant sur le secteur (filaire) ou sur batterie (sans fil).

SÉCURITÉ DE L'AIRE DE TRAVAIL

- Maintenez l'espace de travail propre et bien éclairé. Une zone de travail en désordre ou mal éclairée augmente les risques d'accident.
- N'utilisez pas un outil électrique dans une atmosphère explosive, par exemple en présence de liquides, de gaz ou de poussières inflammables. Les outils électriques génèrent des étincelles pouvant enflammer les poussières ou les vapeurs.
- Veillez à ce que les enfants et les autres personnes restent à distance quand vous faites fonctionner un outil électrique. Un moment d'inattention peut vous faire perdre le contrôle de l'outil.

SÉCURITÉ DES PERSONNES

- **Restez vigilant(e), soyez attentif(ve) à ce que vous faites et faites preuve de bon sens lors de l'utilisation d'un outil électrique. N'utilisez pas un outil électrique si vous êtes fatigué(e), sous l'emprise de l'alcool ou de drogues ou après avoir pris des médicaments.** Un moment d'inattention lors de l'utilisation d'un outil électrique peut provoquer des blessures graves.
- **Utilisez des équipements de protection individuelle. Portez toujours une protection oculaire.** Des équipements de protection appropriés, tels qu'un masque anti-poussière, des chaussures de sécurité antidérapantes, un casque et un dispositif de protection auditive, réduisent les risques de blessures.
- **Évitez les démarrages accidentels. Assurez-vous que l'interrupteur est sur la position arrêt avant de brancher l'outil sur une prise électrique et/ou sur une batterie, de le saisir ou de le transporter.** Transporter un outil électrique avec un doigt sur l'interrupteur ou le brancher sur une alimentation électrique alors que son interrupteur est en position de marche favorise les accidents.
- **Retirez les clés de réglage et de serrage avant de mettre l'outil en marche.** Une clé de réglage ou de serrage restée sur une pièce en rotation d'un outil électrique peut provoquer des blessures.
- **N'essayez pas d'atteindre des endroits difficiles d'accès. Restez d'aplomb et gardez l'équilibre en permanence.** Ceci permet de mieux contrôler l'outil électrique dans des situations inattendues.
- **Portez une tenue adaptée. Ne portez pas de vêtement ample ni de bijou. Veillez à ce que vos cheveux, vêtements et gants restent éloignés des pièces mobiles.** Les vêtements amples, les bijoux et les cheveux longs peuvent se prendre dans les pièces mobiles.

- **Si un appareil est conçu pour être utilisé avec des dispositifs d'extraction et de récupération des poussières, veillez à ce que ces dispositifs soient bien raccordés et correctement utilisés.** L'utilisation de dispositifs de récupération des poussières permet de réduire les dangers liés aux poussières.
- **Veillez à ne pas devenir trop sûr(e) de vous et à ne pas vous mettre à ne plus respecter les principes de sécurité à cause de la familiarité acquise par les utilisations fréquentes des outils.** La négligence peut provoquer des blessures graves en une fraction de seconde.

UTILISATION ET ENTRETIEN DE L'OUTIL ÉLECTRIQUE

- **Ne forcez pas un outil électrique. Utilisez l'outil électrique adapté au travail à effectuer.** Un outil électrique adapté permet d'effectuer ce travail plus efficacement, avec une sécurité accrue, et au rythme pour lequel l'outil a été conçu.
- **N'utilisez pas un outil électrique si son interrupteur marche/arrêt ne permet plus de l'allumer ou de l'éteindre.** Tout outil électrique qui ne peut pas être contrôlé par son interrupteur marche/arrêt est dangereux et doit être réparé.
- **Rangez les outils électriques hors de portée des enfants. Ne laissez pas les personnes non familiarisées avec l'outil électrique ou avec ce manuel d'utilisation l'utiliser.** Les outils électriques sont dangereux dans les mains de personnes inexpérimentées.
- **Entretenez les outils électriques et les accessoires. Inspectez-les pour vérifier qu'aucune pièce mobile n'est grippée ou mal alignée, qu'aucune pièce n'est cassée, et pour tout autre problème pouvant affecter leur fonctionnement. Si un outil électrique est endommagé, il doit être réparé avant d'être réutilisé.** De nombreux accidents sont dus à des outils électriques mal entretenus.
- **Maintenez les accessoires de coupe affûtés et propres.** Des accessoires de coupes bien entretenus et bien affûtés risquent moins de se coincer et facilitent le contrôle de l'outil.
- **Utilisez l'outil électrique, ses accessoires, ses mâches et embouts et toutes les autres pièces en respectant ces instructions et en tenant compte des conditions d'utilisation et du travail à effectuer.** Utiliser l'outil électrique à d'autres fins que celles pour lesquelles il a été conçu peut provoquer des situations dangereuses.
- **Maintenez les poignées et surfaces de préhension propres, sèches et exemptes d'huile et de graisse.**

Les poignées et surfaces de préhension glissantes ne permettent pas de tenir et de contrôler l'outil de manière sûre en cas de situations inattendues.

- **Maintenez les câbles/cordons électriques éloignés de la zone de travail de l'outil.** Pendant l'utilisation, les câbles/cordons électriques peuvent être cachés de votre vue et être accidentellement endommagés par l'outil.

UTILISATION ET ENTRETIEN DES OUTILS ALIMENTÉS PAR BATTERIE

- **La batterie ne doit être rechargée qu'avec le chargeur spécifié par le fabricant.** Un chargeur adapté à un seul type de batterie peut présenter un risque d'incendie s'il est utilisé avec une batterie différente.
- **Utilisez les outils électriques uniquement avec les batteries spécifiquement indiquées.** L'utilisation de toute autre batterie peut créer un risque de blessures et d'incendie.
- **Lorsque la batterie n'est pas utilisée, elle doit être rangée loin de tout objet métallique, tel que trombone, pièce de monnaie, clef, clou, vis et tout autre petit objet métallique qui risquerait de mettre en contact ses bornes.** Court-circuiter les bornes de la batterie peut provoquer des brûlures et un incendie.
- **Si la batterie est soumise à des conditions d'utilisation excessives, du liquide peut s'en échapper. Évitez tout contact avec ce liquide. En cas de contact accidentel, rincez à grande eau. En cas de contact avec les yeux, vous devez en outre consulter un médecin.** Le liquide qui s'échappe des batteries peut provoquer des irritations et des brûlures.
- **N'utilisez pas une batterie ou un outil endommagé ou modifié. Les batteries modifiées ou endommagées peuvent avoir un comportement imprévisible pouvant provoquer un incendie, une explosion ou un risque de blessure.**
- **N'exposez pas la batterie ou l'outil à des flammes ou à une température excessive.** L'exposition au feu ou à des températures supérieures à 100°C peut provoquer une explosion.
- **Respectez toutes les instructions de charge et ne rechargez pas la batterie ou l'outil quand la température ambiante est en dehors de la plage spécifiée dans les instructions.** Une recharge incorrecte ou recharger une batterie sous des températures hors de la plage spécifiée peut endommager la batterie et accroître le risque d'incendie.

SERVICE

- **Faites réparer votre outil électrique par un réparateur qualifié n'utilisant que des pièces de rechange identiques.** Cela garantit que l'outil électrique reste sûr.
- **Ne faites jamais réparer une batterie endommagée.** La réparation des batteries doit toujours être effectuée par le fabricant ou des réparateurs agréés.

⚠ AVERTISSEMENT: Lisez toutes les consignes de sécurité, les instructions, les illustrations et les spécifications de sécurité fournies avec cet outil électrique. Le non-respect de l'ensemble des consignes listées ci-après est susceptible d'entraîner un risque de choc électrique, d'incendie et/ou de blessures graves. Conservez toutes les mises en garde et instructions pour consultation ultérieure.

Conservez toutes les mises en garde et instructions pour consultation ultérieure.

APPRENTISSAGE

- Lisez attentivement le manuel d'utilisation. Familiarisez-vous avec les commandes et l'utilisation correcte de l'outil.
- Ne laissez jamais des enfants ou des personnes non familiarisées avec les présentes instructions utiliser l'outil. Les réglementations locales peuvent restreindre l'âge de l'opérateur.
- Nous vous rappelons que l'opérateur ou l'utilisateur est responsable en cas d'accidents ou de dangers impliquant d'autres personnes ou leurs biens.

PRÉPARATION

- N'utilisez jamais l'outil si des personnes, notamment des enfants, ou des animaux de compagnie sont à proximité.
- Portez en permanence des protections oculaires et des chaussures robustes pendant l'utilisation de l'outil.
- La distance entre la machine et les passants doit être d'au moins 15 m.
- N'utilisez jamais la machine lorsque l'opérateur est fatigué, malade ou sous l'influence de l'alcool ou d'autres drogues.

FONCTIONNEMENT

- Utilisez l'outil exclusivement à la lumière du jour ou sous une lumière artificielle suffisante.
- N'utilisez jamais la machine si ses boucliers/dispositifs de protection ne sont pas assemblés ou sont endommagés.
- Mettez le moteur en marche uniquement quand vos mains et pieds sont éloignés des accessoires de coupe.
- Débranchez toujours la machine de l'alimentation électrique (c-à-d retirez la batterie).

- Chaque fois que vous laissez l'outil sans surveillance.
- Avant d'éliminer un bourrage.
- Avant d'inspecter, de nettoyer ou de travailler sur l'outil.
- Après avoir percuté un objet étranger.
- Si l'outil se met à vibrer anormalement.
- Prenez garde à ce que vos pieds et vos mains ne soient pas blessés par les pièces de coupe.
- Veillez à ce que les ouïes de ventilation ne soient jamais bouchées par des débris.

ENTRETIEN ET RANGEMENT

- Débranchez la machine de l'alimentation (c-à-d retirez la batterie) avant d'effectuer des travaux de maintenance ou d'entretien.
- Utilisez exclusivement les pièces et accessoires de rechange recommandés par le fabricant.
- Inspectez et entretenez l'outil régulièrement. Faites réparer l'outil exclusivement par un réparateur agréé.
- Rangez l'outil hors de portée des enfants quand vous ne l'utilisez pas.

CONSIGNES DE SECURITE COMPLEMENTAIRES

- **Évitez les environnements dangereux** – N'utilisez pas les taille-bordures sur des pentes mouillées et détrempées.
- **Les dispositifs de protection doivent toujours être assemblés et en bon état de marche.**
- **Maintenez vos mains et vos pieds éloignés de la zone de coupe.**
- **Pour réduire le risque de blessures, ne travaillez jamais sur une échelle ou un autre support non sûr. Ne positionnez jamais l'unité de coupe plus haut que votre taille.**
- **Inspectez l'unité de coupe à intervalles courts et réguliers pendant l'utilisation ou immédiatement si vous constatez un changement notable dans son comportement de coupe.**
- **Pour des résultats optimaux, votre batterie doit être rechargée dans un endroit où la température est supérieure à 5°C et inférieure à 40°C.** Ne la stockez pas à l'extérieur ou dans un véhicule.
- **Si une personne s'approche de vous, éteignez immédiatement le moteur et l'unité de coupe.**
- **Avertissez l'opérateur des dangers du rebond de lame (uniquement avec la lame à 3 dents).**

- Un rebond de lame peut se produire si la lame en rotation entre en contact avec un objet qu'elle ne coupe pas immédiatement.
- Le rebond de lame peut être suffisamment violent pour projeter l'outil et/ou l'opérateur dans n'importe quelle direction et provoquer la perte de contrôle de l'outil.
- Le rebond de lame peut se produire sans avertissement si la lame se coince, se bloque ou s'accroche.
- Un rebond de lame a une plus forte probabilité de se produire dans les endroits où il est difficile de voir le matériau à couper.
- **N'assemblez jamais une lame sur un outil sans correctement installer toutes les pièces requises. Ne pas utiliser les pièces appropriées peut provoquer la désolidarisation et la projection de la lame, et des blessures graves chez l'opérateur et/ou d'autres personnes. Jetez les lames tordues, voilées, fissurées, cassées ou présentant la moindre détérioration. Utilisez une lame affûtée. Une lame émoussée a une plus forte probabilité de se coincer et de provoquer un rebond (uniquement pour la lame à 3 dents).**
- **Un fil/lame en roue libre peut provoquer des blessures pendant qu'il reste en rotation après que vous ayez relâché l'interrupteur-gâchette ou après l'arrêt du moteur. Maintenez un contrôle approprié jusqu'à ce que le fil/lame se soit complètement arrêté de tourner.**
- Utilisez exclusivement les batteries et les chargeurs listés à la fig. A.
- **Les outils alimentés par batterie n'ont pas à être branchés dans une prise électrique, ils sont donc toujours prêts à fonctionner.** Prenez garde aux dangers potentiels même quand l'outil n'est pas en fonctionnement. Faites attention pendant l'entretien ou la réparation.
- **Ne lavez pas l'outil avec un tuyau. Évitez que de l'eau ne pénètre dans le moteur et sur les connexions électriques.**
- **Si des situations non couvertes par ce manuel se produisent, faites preuve de prudence et de bon sens. Contactez le centre de réparation EGO pour lui demander conseil.**

CONSERVEZ CE MANUEL D'UTILISATION!

SPECIFICATIONS

Tension	56 V ---	
Régime à vide	4000-5800 /min	
Mécanisme de coupe	Tête à avancement par frappe	
Type de fil de coupe	Fil torsadé en nylon 2,4mm	
Largeur de coupe	38 cm	
Température d'utilisation recommandée	0°C-40°C	
Température de stockage recommandée	-20°C-70°C	
Poids(sans batterie)	3,2 kg	
Niveau de puissance acoustique mesuré L_{WA}	92,6 dB(A) K=0,8 dB(A)	
Niveau de pression acoustique au niveau de l'oreille de l'opérateur L_{PA}	72,6 dB(A) K=2,5 dB(A)	
Niveau de puissance acoustique garanti L_{WA} (mesuré selon 2000/14/CE)	93 dB(A)	
Vibration a_n	Poignée auxiliaire avant	3,5 m/s ² K=1,5 m/s ²
	Poignée arrière	2,1 m/s ² K=1,5 m/s ²

- La valeur totale des vibrations indiquée a été mesurée selon une procédure conforme à une méthode de test standardisée et peut servir pour comparer différents outils.
- La valeur totale des vibrations indiquée peut également servir pour effectuer une première évaluation de l'exposition.

REMARQUE : L'émission de vibrations pendant l'utilisation réelle de l'outil électrique est fonction de la manière dont il est utilisé et peut différer de la valeur indiquée. Pour se protéger, l'opérateur doit porter des gants et un casque antibruit dans les conditions actuelles d'utilisation.

CONTENU DE L'EMBALLAGE

FR

NOM DE PIÈCE	QUANTITÉ
Taille-bordure	1
Capot de protection	1
Poignée auxiliaire avant	1
Sangle d'épaule	1
Clé 6 pans	1
Manuel d'utilisation	1
Fil de coupe	1

DESCRIPTION

DESCRIPTION DE VOTRE TAILLE-BORDURE (Image A)

- Poignée arrière
- Interrupteur à gâchette
- Verrou d'interrupteur
- Poignée auxiliaire avant réglable
- Sangle d'épaule
- Manche
- Capot de protection
- Bouton de déblocage de la batterie
- Verrou
- Contacts électriques
- Mécanisme d'éjection
- Tête de frappe
- Bouton de charge de fil
- Fil de coupe
- Languette de déblocage
- Lame de coupe du fil
- Clé hexagonale

ASSEMBLAGE

AVERTISSEMENT : Si une pièce est manquante ou endommagée, n'utilisez pas cet outil tant qu'elle n'a pas été remplacée. Utiliser cet outil avec des pièces endommagées ou manquantes peut provoquer des blessures corporelles graves.

AVERTISSEMENT : N'essayez jamais de modifier l'outil ni de créer des accessoires non recommandés pour être utilisés avec ce taille-bordure. De tels modifications et changements constituent une utilisation impropre et peuvent engendrer des situations dangereuses

AVERTISSEMENT : Pour éviter un démarrage accidentel pouvant provoquer des blessures corporelles graves, retirez toujours la batterie de l'outil avant d'assembler une pièce.

ASSEMBLER LE CAPOT DE PROTECTION

AVERTISSEMENT : Portez toujours des gants pour assembler ou remplacer le capot de protection. Prenez garde à la lame du capot de protection et protégez votre main pour éviter de vous couper.

AVERTISSEMENT : N'utilisez jamais l'outil sans son capot de protection solidement assemblé. Le capot de protection doit toujours être assemblé sur l'outil pour protéger l'utilisateur ! Une fois que le capot de protection est fixé, n'essayez jamais de le démonter ou de le régler. Si nécessaire, cela doit être fait par un réparateur qualifié !

Alignez les deux boulons préassemblés sur le capot avec les deux trous de vis dans le manche (image B) puis serrez-les avec la clé hexagonale fournie (image C).

Vérifiez que le capot de protection est fixé comme montré sur les images B et C, un montage inversé est très dangereux !

ASSEMBLER ET RÉGLER LA POIGNÉE AUXILIAIRE AVANT

Enfoncez la poignée auxiliaire avant dans le manche (Image E), puis insérez le bloc de fixation dans la rainure de la poignée (Image F), assemblez le levier de verrouillage et serrez-les avec l'écrou papillon (Image G). La séquence est montrée sur l'image D. Pour terminer, réglez la position de la poignée auxiliaire avant entre le manchon souple et l'étiquette de sorte que votre bras avant soit tendu pendant l'utilisation du taille-bordures (Image H), puis verrouillez le levier de verrouillage (Image I).

Schéma D & H - Description des pièces ci-dessous :

D-1	Poignée auxiliaire avant	D-4	Écrou papillon
D-2	Levier de verrouillage	H-1	Manchon souple
D-3	Bloc de fixation	H-2	Étiquette d'avertissement

REMARQUE : La poignée auxiliaire avant doit être tournée vers le haut et dirigée vers le haut de la poignée arrière.

AVERTISSEMENT : Fixez uniquement la poignée auxiliaire avant entre le manchon souple et l'étiquette sur le manche.

⚠ AVERTISSEMENT : L'outil ne peut pas être utilisé sans la poignée auxiliaire avant solidement fixée.

ATTACHER LA SANGLE D'ÉPAULE

1. Dévissez et retirez la vis du crochet de la sangle (Images J1 et J2).
2. Accrochez le crochet au manche comme montré sur l'image J3 et verrouillez-le avec la vis (Image J4).

⚠ AVERTISSEMENT : Fixez le crochet de la sangle uniquement entre le boîtier et le manchon souple du manche.

UTILISATION

⚠ AVERTISSEMENT : Veillez à ne pas devenir moins prudent au fur et à mesure que vous vous familiarisez avec cet outil. Gardez à l'esprit qu'une seconde d'inattention peut suffire pour provoquer des blessures graves.

⚠ AVERTISSEMENT : Veuillez toujours porter des lunettes de protection ou des lunettes de sécurité avec protections latérales, ainsi qu'une protection auditive. Sans protection, des objets peuvent être projetés dans vos yeux et d'autres blessures graves peuvent se produire.

⚠ AVERTISSEMENT : N'utilisez aucun accessoire ou pièce non recommandé par le fabricant de ce produit. L'utilisation d'accessoires ou de pièces non recommandés peut provoquer de graves blessures corporelles.

⚠ AVERTISSEMENT : Pour éviter des blessures corporelles graves, retirez la batterie de l'outil avant toute opération de réparation, nettoyage, changement d'accessoires ou de retrait de matières de l'outil.

Vous pouvez utiliser ce produit pour les usages listés ci-dessous :

Tailler : Pour couper le gazon et les mauvaises herbes près des murs, des barrières, des arbres et des bordures.

Couper : Pour couper le gazon difficile à atteindre avec une tondeuse classique.

REMARQUE : L'outil ne doit être utilisé qu'à la finalité spécifiée pour lui. Tout autre usage, par exemple tailler des haies, est considéré impropre.

INSÉRER/RETIRER LA BATTERIE

REMARQUE : Pour un meilleur équilibre, lorsque vous utilisez des batteries BA3360/BA4200/BA4200T/BA5600T, utilisez aussi un harnais de sac à dos (BH1000).

Rechargez complètement la batterie avant la première utilisation.

Insérer la batterie

Alignez les arêtes de la batterie avec les rainures d'assemblage et appuyez la batterie vers le bas jusqu'à entendre un déclic (image K2).

Retrait

Appuyez sur le bouton de déblocage de la batterie et retirez la batterie hors de l'outil comme montré sur l'image L.

Schéma K1 et K2 - Description des pièces ci-dessous :

K-1	Batterie BA3360/ BA4200 / BA4200T/ BA5600T	K-4	Verrou
K-2	Adaptateur	K-5	Fente de montage de la batterie
K-3	Harnais de sac à dos		

TENIR LE TAILLE-BORDURE

⚠ AVERTISSEMENT : Soyez correctement vêtu pour réduire le risque de blessures pendant l'utilisation de cet outil. Ne portez pas de vêtement ample ni de bijou. Portez des protections oculaires et auditives. Portez des gants, des bottes et des pantalons longs et résistants. Ne portez pas de shorts ni de sandales et ne soyez pas pieds nus.

Avant utilisation, saisissez le taille-bordure à deux mains, avec une main sur la poignée arrière et l'autre main sur la poignée auxiliaire avant dont le bras doit être tendu (Image M). Puis vérifiez que vous avez des appuis des pieds équilibrés et que vous êtes à une distance de coupe appropriée.

REMARQUE : La tête de coupe est parallèle au sol à une distance de coupe appropriée sans que l'opérateur ne soit penché.

DÉMARRER ET ÉTEINDRE LE TAILLE-BORDURE

Allumer l'outil

Appuyez sur le bouton de déverrouillage, puis appuyez sur

la gâchette. Différents niveaux de pression sur la gâchette produisent différentes vitesses de rotation du fil de coupe. Plus vous appuyez, plus la vitesse est rapide.

FR

Arrêter l'outil

Relâchez le bouton de déverrouillage et l'interrupteur-gâchette.

REMARQUE : Le moteur ne marche que lorsque le bouton de déverrouillage et la gâchette sont tous les deux enfoncés.

⚠ AVERTISSEMENT : Retirez toujours la batterie du taille-bordure pendant les pauses durant le travail et après avoir terminé le travail.

UTILISER LE TAILLE-BORDURE

⚠ AVERTISSEMENT : Pour éviter des blessures corporelles graves, portez en permanence des lunettes de sécurité ou un masque pendant l'utilisation de cet outil. Portez un masque facial ou un masque à poussière dans les endroits poussiéreux.

Nettoyez la zone à couper avant chaque utilisation. Retirez tous les objets pouvant s'emmêler dans les accessoires de coupe ou être projetés, par exemple les pierres, les morceaux de verre, les clous, les fils métalliques, les ficelles. Veillez à ce qu'il n'y ait aucune autre personne, aucun enfant, ni aucun animal dans l'aire de travail. Veillez à ce que tous les enfants, toutes les autres personnes et tous les animaux soient toujours à plus de 15 mètres de l'outil en fonctionnement, car il y a un risque de projection d'objets. Il faut insister pour que les autres personnes présentes portent une protection oculaire. Si une personne s'approche de vous, éteignez immédiatement le moteur et l'accessoire de coupe.

Avant chaque utilisation, inspectez l'outil pour détecter des pièces usées ou endommagées

Inspectez la tête de frappe, le capot de protection, la poignée auxiliaire avant, et remplacez les pièces fissurées, voilées, tordues ou présentant une autre détérioration.

La lame de coupe du fil présente sur le bord du capot de protection s'use avec le temps. Il est recommandé de l'affûter régulièrement avec une lime ou de la remplacer par une lame neuve.

⚠ AVERTISSEMENT : Portez toujours des gants pour assembler le capot de protection ou entretenir la lame. Prenez garde à la lame du capot de protection et protégez votre main pour éviter de vous couper.

Après chaque utilisation, nettoyez l'outil

⚠ ATTENTION : Si les ouïes de ventilation sont bouchées, cela empêchera l'air de circuler dans le boîtier du moteur, ce qui peut provoquer la surchauffe et la détérioration du moteur.

Nettoyez l'outil exclusivement avec un chiffon humide et du savon doux. Veillez à ce qu'aucun liquide ne pénètre jamais dans l'outil. N'immergez jamais aucune partie de l'outil dans un liquide.

- Veillez à ce que les ouïes de ventilation du boîtier du moteur et du manche restent en permanence exemptes de débris

⚠ AVERTISSEMENT : N'utilisez jamais d'eau pour nettoyer votre outil. N'utilisez pas de solvant pour nettoyer les pièces en plastique. La plupart des plastiques peuvent être détériorés par de nombreux types de solvants vendus dans le commerce. Utilisez des chiffons propres pour enlever les saletés, les poussières, l'huile, la graisse, etc.

CONSEILS D'OPTIMISATION DE LA COUPE (FIG. N)

- L'accessoire de coupe doit être parallèle au sol.
- Ne forcez pas l'outil. Veillez à ce que ce soit l'extrémité du fil qui effectue la coupe (notamment le long des murs). Couper avec plus de fil que simplement son extrémité réduit l'efficacité de la coupe et peut provoquer la surcharge du moteur.
- La hauteur de coupe est déterminée par la distance entre le fil de coupe et la surface de la pelouse.
- Si l'herbe est supérieure à 20cm, elle doit être coupée progressivement en travaillant du haut vers le sol par petits incréments afin d'éviter l'usure prématurée du fil et le patinage du moteur.
- Déplacez le taille-bordures lentement dans et hors de la zone coupée en maintenant la tête de coupe à la hauteur de coupe désirée. Cela peut se faire par des mouvements latéraux ou avant/arrière. Couper des longueurs courtes permet d'obtenir de meilleurs résultats.
- Coupez les herbes exclusivement quand elles sont sèches.
- Les clôtures en fil métallique ou en piquets peuvent provoquer une usure accélérée du fil de coupe ou sa rupture. Les murs en brique ou en pierre, les margelles et le bois provoquent une usure rapide du fil de coupe.
- Évitez le contact avec les arbres et les arbustes. Le fil peut facilement endommager l'écorce des arbres, les moulures de bois, le revêtement extérieur et les

roteaux de clôture.

Schéma N - Description des pièces ci-dessous :

N-1	Meilleure zone de coupe	N-2	Zone de coupe dangereuse
-----	-------------------------	-----	--------------------------

RÉGLER LA LONGUEUR DU FIL DE COUPE

La tête de coupe permet à l'opérateur d'allonger le fil de coupe sans éteindre le moteur. Quand le fil de coupe est usé ou effiloché, vous pouvez l'allonger en frappant légèrement le boîtier de bobine sur le sol pendant que l'outil est en marche (Image O).

REMARQUE : Plus le fil de coupe devient court, plus il est difficile de l'allonger.

⚠ AVERTISSEMENT : Ne retirez pas et ne modifiez pas l'assemblage de la lame de coupe du fil. Si la longueur du fil de coupe est excessive, cela peut provoquer la surchauffe du moteur et des blessures corporelles graves.

CHANGER LE FIL DE COUPE

REMARQUE : Utilisez toujours le fil de coupe en nylon recommandé d'un diamètre ne dépassant pas 2,4 mm. Utiliser un fil de coupe différent que celui spécifié peut provoquer la surchauffe ou la détérioration du taille-bordure.

⚠ AVERTISSEMENT : N'utilisez jamais de corde, de fil métallique, de fil à renfort métallique, etc., car ils peuvent se casser et devenir des projectiles dangereux.

Le taille-bordures est équipé d'un système d'enroulement de fil automatique avancé. Le file de coupe peut être enroulé sur la bobine par simple pression sur un bouton. L'enroulement complet autour de la bobine

peut généralement être réalisé en 12 secondes. Évitez d'enrouler le fil de façon répétée et en successions rapides afin de ne pas endommager le moteur.

1. Retirez le bloc-batterie.
2. Retirez le fil de coupe restant, si nécessaire. Tirez-le simplement à la main pour le sortir.
3. Coupez un morceau de fil de coupe (4 m). Insérez le fil dans l'œillet (image P) et poussez le fil jusqu'à ce que l'autre extrémité du fil ressorte de l'œillet opposé.

Schéma P - Description des pièces ci-dessous :

P-1	File de coupe	P-3	Œillet
P-2	Capot inférieur		

4. Retirez la batterie si elle a été montée sur le taille-bordures lors d'une étape précédente.
5. Poussez le fil et tirez-le de l'autre côté jusqu'à ce qu'il y ait une longueur de fil identique de chaque côté de la tête de coupe (image Q).
6. Insérez la batterie sur le taille-bordures. Maintenez le bouton de charge de fil enfoncé pour démarrer le moteur d'enroulement du fil. Le fil est enroulé dans la tête de coupe de façon continue (image R).
7. Faites bien attention à la longueur de fil restant. Préparez-vous à relâcher le bouton dès qu'environ 18 cm de fil reste de chaque côté. Appuyez brièvement sur le bouton de charge de fil pour ajuster la longueur jusqu'à ce que 14 cm de fil dépasse de chaque côté.
8. Appuyez sur la tête du taille-bordures tout en tirant les extrémités du fil pour les faire sortir manuellement afin de contrôler le bon assemblage du fil de coupe.

REMARQUE : Si le fil est entièrement rentré dans la tête de coupe par accident, ouvrez la tête et retirez le fil de la bobine. Suivez l'étape « RECHARGER LE FIL DE COUPE » de ce manuel pour recharger le fil.

RECHARGER LE FIL DE COUPE

Si le fil de coupe casse au niveau du trou de sortie ou s'il n'est pas libéré quand la tête de coupe est frappée, procédez comme suit pour retirer le fil de coupe restant et remettre du fil.

1. Appuyez sur les deux languettes de déblocage de la tête de coupe et retirez la tête en la retirant en ligne droite vers l'extérieur (image S-1 et S-2).
2. Retirez le fil de coupe de la tête de coupe et insérez le ressort dans la fente dans le capot inférieur (image T).
3. Tenez l'outil à une main et utilisez l'autre main pour maintenir le capot inférieur et alignez les fentes dans le capot inférieur avec les languettes de déblocage. Appuyez sur le capot inférieur jusqu'à ce qu'il se mette en place en émettant un « clic » audible (image U).
4. Pour recharger le fil de coupe, suivez la procédure « CHANGER LE FIL DE COUPE ».

Images S1, T et U - Description des pièces, voir ci-dessous :

S1-1	Capot inférieur	U-1	Languette de déblocage
S1-2	Languette de déblocage	U-2	Fente
T-1	Ressort		

REPLACEMENT DE LA TÊTE DE COUPE

⚠ AVERTISSEMENT : Si la tête se desserre après avoir été fixée en position, remplacez-la immédiatement. N'utilisez jamais l'outil avec un accessoire de coupe desserré. Remplacez immédiatement la tête de coupe si elle est fissurée, endommagée ou usée, même si la détérioration se limite à des fissures superficielles. De tels accessoires peuvent éclater à haute vitesse et provoquer des blessures graves.

Retirer la tête de coupe

1. Retirez la batterie du taille-bordures.
2. Appuyez sur les deux languettes de déblocage de la tête de coupe et retirez le capot inférieur de la tête en le retirant en ligne droite vers l'extérieur (Image S1 et S2).
3. Retirez le fil de coupe de la tête de coupe (image V).
4. Retirez le ressort hors de la bobine si nécessaire. Conservez-le pour le réassemblage.
5. Portez des gants. Stabilisez la bobine à une main et utilisez l'autre main pour maintenir une clé à chocs et desserrer l'écrou dans le sens inverse des aiguilles d'une montre (image W).
6. Retirez l'écrou, la rondelle, la bobine et le capot supérieur de l'arbre moteur (image X).
7. Utilisez une pince circlips pour retirer le circlip. Retirez le ventilateur (image Y).
8. Placez une nouvelle tête de coupe et montez-la comme décrit dans les étapes suivantes.

Images W, X et Y - Description des pièces, voir ci-dessous :

W-1	Clé à chocs	X-4	Écrou
X-1	Capot supérieur	Y-1	Ventilateur
X-2	Bobine	Y-2	Circlip
X-3	Rondelle		

Installer la nouvelle tête de coupe

1. Alignez la fente de clé dans le ventilateur avec la canalure dans l'arbre moteur et montez le ventilateur (image Z).
2. Montez le circlip, le capot supérieur, la bobine et la rondelle dans cet ordre. Utilisez une clé à chocs sur l'écrou pour le serrage.
3. Suivez les consignes de la partie « **RECHARGER LE FIL DE COUPE** » de ce manuel pour monter le capot inférieur.

4. Pour recharger le fil de coupe, suivez la procédure « **REPLACEMENT DU FIL DE COUPE** » décrite dans ce manuel.
5. Démarrez l'outil pour voir si le taille-bordures fonctionne normalement. Si tel n'est pas le cas, réassemblez l'outil comme décrit ci-dessus.

Schéma Z - Description des pièces ci-dessous :

Z-1	Canalure	Z-2	Logement de la clé
-----	----------	-----	--------------------

ENTRETIEN

⚠ AVERTISSEMENT : L'outil ne doit être réparé qu'avec des pièces de rechange identique. Inspectez et entretenez l'outil régulièrement. Pour garantir la sécurité et la fiabilité, toutes les réparations doivent être effectuées par un réparateur qualifié.

⚠ AVERTISSEMENT : Les outils alimentés par batterie n'ont pas à être branchés dans une prise électrique, ils sont donc toujours prêts à fonctionner. Pour éviter des blessures corporelles graves, faites extrêmement attention lors de l'entretien et de la réparation de l'outil et lors du changement de l'accessoire de coupe ou d'autres accessoires.

⚠ AVERTISSEMENT : Pour éviter les blessures corporelles graves, retirez la batterie de l'outil avant de le réparer, de le nettoyer, de changer un accessoire ou d'enlever des matières de l'outil.

NETTOYER L'OUTIL

- Nettoyez l'outil avec un chiffon humide et un détergent doux.
- N'utilisez pas de détergent puissant sur le boîtier en plastique ou sur la poignée, car ils peuvent être endommagés par certaines huiles aromatiques, par exemple de pin et de citron, et par les solvants, par exemple l'essence. L'humidité peut également générer un risque de choc électrique. Essuyez les traces d'humidité avec un chiffon doux et sec.
- Avec une petite brosse ou l'air sortant de la brosse de nettoyage d'un petit aspirateur, nettoyez les ouïes de ventilation du boîtier arrière pour enlever tous les débris.

AFFUTER LA LAME DE COUPE

⚠ AVERTISSEMENT : Protégez toujours vos mains en portant des gants pour travaux lourds pendant toutes les opérations d'entretien de la lame de coupe.

1. Retirez la lame de coupe du capot de protection.
2. Portez une protection oculaire appropriée et des gants et faites attention à ne pas vous couper.
3. Fixez la lame dans un étau.
4. Limez soigneusement les bords coupants de la lame à l'aide d'une lime fine ou d'une pierre à aiguiser, en suivant l'angle du bord original de coupe.
5. Remplacez la lame sur le capot et fixez-la avec deux vis.

RANGER L'OUTIL

- Retirez la batterie du taille-bordure quand vous ne l'utilisez pas.
- Nettoyez soigneusement et intégralement l'outil avant de le ranger.
- Rangez l'outil dans un endroit sec et bien aéré, fermé à clé ou en hauteur, hors de portée des enfants. Ne rangez pas l'outil sur ou à côté d'engrais, d'essence ou d'autres substances chimiques.

Protection de l'environnement



Ne jetez pas les équipements électriques, les chargeurs de batterie, les batteries rechargeables et les piles avec les ordures ménagères !

Conformément à la directive européenne 2012/19/UE, les équipements électriques et électroniques qui ne sont plus utilisables, et conformément à la directive européenne 2006/66/CE, les batteries rechargeables et les piles usagées ou défectueuses doivent être collectés séparément.

Si les appareils électriques sont jetés dans des décharges ou des dépôts d'ordures, des substances dangereuses peuvent s'infiltrer jusque dans la nappe phréatique et entrer dans la chaîne alimentaire, avec un effet néfaste sur votre santé et votre bien-être.

DÉPANNAGE

FR

PROBLÈME	CAUSE	SOLUTION
Le taille-bordure ne s'allume pas.	<ul style="list-style-type: none"> ■ La batterie n'est pas insérée dans le taille-bordure. ■ Il n'y a pas de contact électrique entre l'outil et la batterie. ■ La batterie est déchargée. ■ Le bouton de déverrouillage et l'interrupteur-gâchette ne sont pas tous les deux enfoncés simultanément. 	<ul style="list-style-type: none"> ■ Insérez la batterie dans le taille-bordure. ■ Retirez la batterie, inspectez les contacts, puis réinsérez la batterie. ■ Rechargez la batterie. ■ Appuyez sur le bouton de déverrouillage et maintenez-le appuyé, puis appuyez sur l'interrupteur-gâchette pour allumer le taille-bordures.
La lame ne coupe pas le fil de coupe.	<ul style="list-style-type: none"> ■ Le capot de protection n'est pas assemblé sur l'outil, ce qui provoque une longueur excessive du fil de coupe et la surcharge du moteur. ■ Un fil de coupe trop épais est utilisé. ■ L'arbre du moteur ou la tête de coupe est bloqué par de l'herbe. ■ Le moteur est en surcharge. ■ La batterie ou le taille-bordure est trop chaud. ■ La batterie est déconnectée de l'outil. ■ La batterie est déchargée. 	<ul style="list-style-type: none"> ■ Retirez la batterie, puis assemblez le capot de protection sur l'outil. ■ Utilisez le fil de coupe en nylon recommandé d'un diamètre ne dépassant pas 2,4 mm. ■ Éteignez l'outil, retirez la batterie, puis retirez l'herbe de l'arbre du moteur et de la tête de coupe. ■ Retirez la tête de coupe de l'herbe. Le moteur retrouve un fonctionnement normal dès que la charge est retirée. Pendant la coupe, déplacez la tête de coupe dans et hors de l'herbe à couper, et ne coupez pas une longueur supérieure à 20 cm en un seul passage. ■ Laissez la batterie et l'outil refroidir jusqu'à ce que sa température devienne inférieure à 67 °C. ■ Réinstallez la batterie. ■ Rechargez la batterie.

PROBLÈME	CAUSE	SOLUTION
Trimmer head will not advance line	<ul style="list-style-type: none"> ■ L'arbre du moteur ou la tête de coupe est bloqué par de l'herbe. ■ Il n'y a pas assez de fil de coupe dans le boîtier de bobine. ■ La tête de coupe est sale. ■ Le fil est emmêlé dans le boîtier de bobine. ■ Le fil de coupe est trop court. 	<ul style="list-style-type: none"> ■ Éteignez l'outil, retirez la batterie, puis retirez l'herbe de l'arbre du moteur et de la tête de coupe. ■ Retirez la batterie et changez le fil de coupe. Pour cela, consultez le chapitre « CHANGER LE FIL DE COUPE » de ce manuel d'utilisation. ■ Retirez la batterie et nettoyez le dispositif de retenue de la bobine et la base de la bobine. ■ Retirez la batterie, enlevez le fil de coupe de la bobine, puis rembobinez-le. Pour cela, consultez le chapitre « REMPLACEMENT DU FIL DE COUPE » de ce manuel. ■ Retirez la batterie, puis tirez les extrémités du fil de coupe en appuyant et relâchant alternativement la tête de coupe.
Grass wraps around trimmer head and motor housing	<ul style="list-style-type: none"> ■ Vous coupez de l'herbe haute au ras du sol. 	<ul style="list-style-type: none"> ■ Coupez l'herbe haute progressivement du haut vers le bas en coupant 20 cm au maximum à chaque passage pour éviter que l'herbe ne s'enroule.
The blade is not cutting the line.	<ul style="list-style-type: none"> ■ La lame de coupe du fil sur le bord du capot de protection est usée. 	<ul style="list-style-type: none"> ■ Affûtez la lame de coupe du fil avec une lime ou remplacez-la par une lame neuve.
Cracks on the trimmer head or the spool retainer comes loose with spool base.	<ul style="list-style-type: none"> ■ La tête de coupe est usée. 	<ul style="list-style-type: none"> ■ Faites immédiatement remplacer la tête de coupe par un réparateur qualifié.
During line replacement, the line can't be loaded into the trimmer head properly.	<ul style="list-style-type: none"> ■ Les lignes LOAD du boîtier de bobine ne sont pas alignées avec les œillets de la base de bobine. ■ Le fil de coupe n'est pas correctement inséré dans les trous d'assemblage des œillets. 	<ul style="list-style-type: none"> ■ Tournez le boîtier de bobine dans le sens de la flèche pour aligner les lignes LOAD du boîtier de bobine avec les œillets de la base de bobine. ■ Alignez d'abord les lignes LOAD avec les œillets, puis insérez le fil dans les trous d'assemblage des œillets.

GARANTIE

POLITIQUE DE GARANTIE EGO

Veuillez consulter le site egopowerplus.com pour trouver l'ensemble des modalités et conditions de la politique de garantie EGO

¡LEA TODAS LAS INSTRUCCIONES!



LEA EL MANUAL DEL USUARIO

ES

⚠ ¡Riesgo residual! Aquellas personas con implantes electrónicos, tales como marcapasos, deberán consultar a su médico antes de utilizar este producto. La utilización de equipos eléctricos a proximidad de un marcapasos podría causar en este interferencias o averías.

⚠ ADVERTENCIA: Para garantizar la seguridad y fiabilidad de la herramienta, confíe cualquier reparación y sustitución de piezas que sea necesaria a personal técnico cualificado.

SÍMBOLOS RELACIONADOS CON LA SEGURIDAD

El propósito de los símbolos de seguridad es el de atraer su atención hacia los posibles peligros que conlleva la utilización del producto. Los símbolos de seguridad y las explicaciones que los acompañan requieren su máxima atención y comprensión. Por sí solos, los símbolos de advertencia no eliminan los posibles peligros que pudieran existir. Las instrucciones y advertencias que aquí se incluyen no son sustitutas en modo alguno de las medidas de prevención adecuadas que deben tomarse para evitar posibles accidentes.

⚠ ADVERTENCIA: Antes de utilizar esta herramienta, asegúrese de haber leído y entendido perfectamente todas las instrucciones incluidas en este Manual del usuario, incluidos todos los símbolos de aviso sobre seguridad, tales como **PELIGRO**, **ADVERTENCIA** y **PRECAUCIÓN**. De no observarse todas las instrucciones proporcionadas a continuación podría existir un riesgo de incendio, electrocución, así como de lesiones físicas graves.

SIGNIFICADO DE LOS DISTINTOS SÍMBOLOS

⚠ SÍMBOLO DE AVISO DE SEGURIDAD: señala algún tipo de PELIGRO, ADVERTENCIA o PRECAUCIÓN a tener en cuenta. Este símbolo podrá utilizarse de manera conjunta con otros símbolos o pictogramas.

INSTRUCCIONES DE SEGURIDAD

Esta página muestra y describe los símbolos de seguridad que puede haber en este producto. Asegúrese de leer, entender perfectamente y observar todas las instrucciones estampadas o proporcionadas con el producto antes de proceder a su montaje y utilización.

	Aviso de seguridad	Indica una situación potencialmente peligrosa que podría provocar lesiones.
	Lea el Manual del usuario	Para reducir el riesgo de lesiones, será necesario leer y entender el Manual del usuario antes de utilizar este producto.
	Utilizar protección ocular	Utilice siempre utilice gafas de seguridad o gafas con pantallas de protección lateral y una máscara que proteja completamente la cara cuando utilice este producto.
	Utilizar protección auditiva	Utilice siempre protección contra el ruido (tapones para los oídos u orejeras) para proteger sus oídos.
	Utilizar protección para la cabeza	Lleve puesto casco de seguridad para protegerse la cabeza de posibles impactos.
	Anchura de corte	La anchura de corte máxima del cortabordes con cabezal de hilo
	Diámetro del hilo de corte	Observe el diámetro del hilo de corte indicado.
	Utilizar guantes de protección	Utilice guantes para proteger sus manos cuando manipule la cuchilla o la protección de la cuchilla. Utilice guantes resistentes y antideslizantes que mejoren el agarre y le protejan las manos.
	Utilizar calzado de seguridad	Lleve calzado de seguridad antideslizante siempre que utilice este equipo.
	Tener cuidado con el contragolpe de las cuchillas	Adverta al usuario del peligro de contragolpe de las cuchillas.
	y mantener alejadas a otras personas	Los objetos lanzados pueden rebotar y provocar lesiones personales o daños materiales. Asegúrese de que las personas y los animales domésticos se mantengan alejados cuando se esté usando la desbrozadora.

	Mantener alejadas a otras personas	Asegúrese de que las personas y los animales domésticos se mantengan a una distancia mínima de 15 m cuando se esté usando el cortabordes.
	No usar cuchillas redondas	No instale cuchillas redondas.
	No exponer a la lluvia	No utilice la herramienta bajo la lluvia ni la deje a la intemperie cuando esté lloviendo.
	CE	Este producto cumple las directivas de la CE aplicables.
	WEEE	Los productos eléctricos no deben eliminarse con la basura doméstica. Llévelos a un centro de reciclaje autorizado.
	Ruido	Nivel de potencia acústica garantizado. La emisión de ruido al medio ambiente cumple la directiva de la Comunidad Europea.
V	Voltios	Tension
	Corriente continua	Tipo o característica de la corriente
n_0	Velocidad en vacío	Velocidad de giro, sin carga
min ⁻¹	Por minuto	Revoluciones por minuto

ADEVRTENCIAS GENERALES SOBRE HERRAMIENTAS ELÉCTRICAS

⚠ ADVERTENCIA: Lea todas las advertencias, instrucciones, ilustraciones y especificaciones incluidas con esta herramienta eléctrica. Si no se cumplen todas las instrucciones que se enumeran a continuación, pueden producirse descargas eléctricas, incendios o lesiones graves.

Conserve todas las instrucciones y advertencias para futuras consultas.

El término “herramientas eléctricas” que aparece en las advertencias se refiere tanto a aquellas herramientas que funcionan conectadas a la red eléctrica (mediante cable) como a aquellas otras que funcionan con acumuladores (inalámbricas).

SEGURIDAD EN LA ZONA DE TRABAJO

- Mantenga la zona de trabajo limpia y bien iluminada. Los lugares desordenados o poco iluminados favorecen los accidentes.
- No utilice herramientas eléctricas en ambientes explosivos, por ejemplo, en presencia de líquidos, gases o polvo inflamables. Las herramientas eléctricas crean chispas que podrían hacer que el polvo o los humos se incendiaran.
- Mantenga a los niños y las demás personas alejados cuando esté utilizando una herramienta eléctrica. Cualquier distracción podría hacerle perder el control de la herramienta.

SEGURIDAD PERSONAL

- **Manténgase alerta, preste atención a lo que está haciendo y use el sentido común cuando esté utilizando una herramienta eléctrica. No utilice herramientas eléctricas cuando esté cansado o si se encuentra bajo los efectos de drogas, alcohol o fármacos.** Cualquier momento de descuido durante la utilización de herramientas eléctricas podría ocasionar lesiones físicas graves.
- **Utilice equipo de protección personal. Utilice siempre protección ocular.** El equipo de protección, como máscaras antipolvo, calzado de seguridad antideslizante, casco protector o protección auditiva, cuando se utiliza adecuadamente, reduce las lesiones personales.
- **Evite la puesta en marcha accidental de la herramienta. Asegúrese de que el interruptor se encuentra en la posición de apagado antes de enchufar la herramienta a la red eléctrica y/o de acoplar la batería, así como al recoger o transportar la herramienta.** Si lleva una herramienta eléctrica con el dedo puesto sobre el interruptor, o si enchufa una herramienta eléctrica con el interruptor encendido, pueden producirse accidentes.
- **Retire cualquier llave de ajuste o llave inglesa de la herramienta antes de activarla.** Una llave inglesa o una llave de ajuste enganchada a una parte giratoria de la herramienta puede producir lesiones físicas.

- **No se estire demasiado para alcanzar lugares de difícil acceso.** Mantenga una posición firme y equilibrada en todo momento. De este modo podrá controlar mejor la herramienta eléctrica en situaciones inesperadas.
- **Utilice ropa adecuada. No lleve puesta ropa holgada ni joyas.** Mantenga el pelo, la ropa y los guantes alejados de las piezas móviles. La ropa holgada, así como las joyas o el pelo largo podrían engancharse en las partes móviles de la herramienta.
- **Si se incluyen dispositivos de conexión a extractores y colectores de polvo, asegúrese de conectarlos y utilizarlos adecuadamente.** La utilización de dispositivos colectores de polvo puede reducir los peligros ocasionados por el polvo.
- **El hecho de haberse familiarizado con la herramienta por el uso frecuente no debe hacer que se descuide e ignore los principios de seguridad.** Una distracción puede provocar lesiones graves en una fracción de segundo.

UTILIZACIÓN Y CUIDADO DE LAS HERRAMIENTAS ELÉCTRICAS

- **No fuerce la herramienta eléctrica. Utilice la herramienta eléctrica adecuada para la tarea que vaya a realizar.** La herramienta correcta funcionará mejor y con más seguridad a la velocidad para la que ha sido diseñada.
- **No use la herramienta si el interruptor de alimentación no funciona.** Toda herramienta que no se puede controlar con el interruptor es peligrosa y debe repararse.
- **Guarde las herramientas eléctricas apagadas fuera del alcance de niños y no deje que las usen personas que no estén familiarizadas con estas instrucciones o con las herramientas.** Las herramientas eléctricas son peligrosas si las usan personas sin experiencia.
- **Cuide las herramientas eléctricas y sus accesorios. Examine las herramientas eléctricas por si alguno de sus elementos móviles está desalineado o trabado, o si hay piezas rotas u otra circunstancia que afecte a su funcionamiento. Si la herramienta eléctrica está dañada, llévela a reparar antes de usarla.** Muchos accidentes se deben a un mantenimiento deficiente de las herramientas eléctricas.
- **Mantenga las herramientas de corte afiladas y limpias.** Las herramientas de corte bien afiladas tienen menos probabilidades de atascarse y son más fáciles de controlar.
- **Use la herramienta eléctrica, los accesorios, las brocas, etc., siguiendo las instrucciones y teniendo en cuenta las condiciones de trabajo y la tarea a realizar.** El uso de la herramienta eléctrica para fines diferentes a los previstos puede provocar situaciones de peligro.
- **Mantenga las asas y la superficie de agarre secas, limpias y libres de aceite y grasa.** Si las asas y las superficies de agarre están resbaladizas no se puede manejar la herramienta de forma segura ni mantener el control en las situaciones inesperadas.
- **Mantenga los cables alejados del área de trabajo de la herramienta.** Durante la utilización de la herramienta, los cables podrían quedar ocultos y cortarse accidentalmente.

UTILIZACIÓN Y MANTENIMIENTO DE HERRAMIENTAS A BATERÍA

- **Recargue únicamente con el cargador especificado por el fabricante.** Un cargador que es adecuado para un tipo de batería puede ocasionar un incendio si es utilizado con otra batería.
- **Utilice herramientas eléctricas solamente con las baterías asignadas para las ellas.** El uso de otras baterías podría producir riesgo de lesiones físicas e incendio.
- **Cuando no se esté utilizando la batería, manténgala apartado de objetos metálicos como clips para papeles, monedas, llaves, clavos, tornillos, o cualquier otro objeto metálico pequeño que pudiera provocar un cortocircuito en sus terminales de corriente.** Un cortocircuito en los terminales de la batería podría provocar quemaduras o un incendio.
- **En condiciones de uso intensivo, es posible que se produzca una fuga de ácido de los acumuladores. Evite el contacto. Enjuague con agua si se produce un contacto accidental. Si el líquido entra en contacto con los ojos, solicite también atención médica.** El líquido que emana de la batería puede provocar irritaciones o quemaduras.
- **No utilice una batería o una herramienta que haya sido modificada o que esté dañada.** Las baterías dañadas o modificadas pueden tener un comportamiento impredecible y provocar un incendio, explosión o riesgo de lesiones.
- **No exponga la batería ni la herramienta al fuego ni a una temperatura excesiva.** La exposición al fuego o a una temperatura superior a 100 °C podría provocar una explosión.

- **Siga todas las instrucciones de carga y no cargue la batería ni la herramienta fuera del rango de temperatura especificado en las instrucciones.** Una carga incorrecta o a temperaturas fuera del rango especificado puede dañar la batería y aumentar el riesgo de incendio.

SERVICIO TÉCNICO

- **Las reparaciones de la herramienta eléctrica debe realizarlas un técnico cualificado, utilizando solo piezas de recambio idénticas.** Así se asegurará de que la herramienta eléctrica siga siendo segura.
- **No repare nunca baterías que estén dañadas.** Las baterías solo debe repararlas el fabricante o un centro de servicio técnico autorizado.

⚠ ADVERTENCIA: Lea todas las advertencias, instrucciones, ilustraciones y especificaciones incluidas con esta herramienta eléctrica. Si no se cumplen todas las instrucciones que se enumeran a continuación, pueden producirse descargas eléctricas, incendios o lesiones graves. Guarde todas las instrucciones y advertencias para consultarlas en el futuro.

Guarde todas las instrucciones y advertencias para consultarlas en el futuro.

FORMACIÓN

- Lea atentamente estas instrucciones. Familiarícese con los mandos y con la manera correcta de utilizar el aparato.
- Nunca permita que utilicen la herramienta las personas que no estén familiarizadas con estas instrucciones ni los niños. Es posible que las normativas locales limiten la edad de los usuarios.
- Tenga en cuenta que el usuario es responsable de los accidentes o riesgos causados a otras personas o a sus propiedades.

PREPARACIÓN

- Nunca utilice la herramienta cuando haya cerca otras personas, especialmente niños, o animales domésticos.
- Utilice siempre protección ocular y calzado robusto cuando use la herramienta.
- La distancia entre la máquina y otras personas debe ser al menos 15 m.
- No use nunca la máquina estando cansado, enfermo o bajo los efectos del alcohol u otras drogas.

INSTRUCCIONES DE USO

- Utilice la herramienta únicamente a plena luz del día o cuando exista iluminación artificial adecuada.
- No use nunca la herramienta si los dispositivos de protección están dañados o no están instalados en su lugar.
- No ponga en marcha el motor hasta haberse asegurado de tener las manos y los pies lo suficientemente apartados de los elementos de corte.
- Desconecte siempre la herramienta de la fuente de alimentación (es decir, quite la batería):
 - siempre que vaya a dejarla sin vigilancia;
 - antes de eliminar cualquier obstrucción;
 - antes de comprobar, limpiar o llevar a cabo cualquier operación en la máquina;
 - después de golpear un objeto extraño;
 - en cuanto se observen vibraciones anormales en la herramienta.
- Extreme las precauciones para evitar sufrir lesiones en los pies y las manos debido a la acción de los elementos de corte.
- Asegúrese siempre de que los orificios de ventilación están libres de residuos.

MANTENIMIENTO Y ALMACENAMIENTO

- Desconecte la herramienta de la alimentación eléctrica (es decir, quite la batería) antes de realizar trabajos de mantenimiento o limpieza.
- Utilice únicamente piezas de repuesto y accesorios recomendados por el fabricante.
- Examine la herramienta regularmente y lleve a cabo las operaciones de mantenimiento. Cualquier reparación de la herramienta debe realizarla un servicio técnico autorizado.
- Cuando no la esté utilizando, guarde la herramienta fuera del alcance de niños.

OTRAS ADVERTENCIAS DE SEGURIDAD

- **Evite los entornos peligrosos** - No utilice aparatos en una pendiente mojada o húmeda.
- **Mantenga los dispositivos de protección en su lugar y en buen estado de funcionamiento.**
- **Mantenga las manos y los pies alejados de la zona de corte.**
- **Para reducir el riesgo de lesiones, nunca utilice la herramienta subido a una escalera ni a otra base insegura. Nunca eleve el accesorio de corte por encima de su cintura.**

- Compruebe el elemento de corte con frecuencia mientras utiliza la herramienta o inmediatamente si observa cualquier cambio notable en la eficacia de corte.
- Para obtener resultados óptimos, deberá recargar la batería en lugares donde la temperatura ambiente sea mayor que 5° C y menor que 40° C. No la almacene en el exterior ni dentro de vehículos.
- Pare el motor y el elemento de corte si alguien se le acerca.
- Advierta al usuario del peligro de contragolpe de la cuchilla (solo cuando se usa la cuchilla de 3 dientes).
 - Puede producirse contragolpe de las cuchillas cuando la cuchilla giratoria entra en contacto con un objeto que no corta inmediatamente.
 - El contragolpe de las cuchillas puede ser lo bastante violento para provocar que el aparato y/o el usuario salgan impulsados en cualquier dirección, con la posibilidad de perder el control de la herramienta.
 - El contragolpe de las cuchillas se puede producir sin previo aviso si la cuchilla se queda trabada, se para o se engancha.
 - Es más probable que se produzca contragolpe de las cuchillas en zonas en las que resulta difícil ver el material que se está cortando.
- No instale ninguna cuchilla a una unidad sin colocar correctamente todas las piezas necesarias. Si no se utilizan las piezas adecuadas, la cuchilla podría salir despedida y provocar lesiones graves al usuario o a otras personas. Deseche las cuchillas que estén dobladas, deformadas, agrietadas, rotas o dañadas de cualquier otro modo. Utilice una cuchilla afilada. Una cuchilla embotada tiene más probabilidades de trabarse y de sufrir contragolpes (solo cuando se usa la cuchilla de 3 dientes).
- Una cuchilla/hilo que se mueve en inercia puede provocar lesiones mientras sigue girando tras haber parado el motor o soltado el gatillo. Mantenga un control adecuado hasta que la cuchilla/hilo haya dejado de girar completamente.
- Utilizar solo con los acumuladores y cargadores enumerados en la fig. A.
- Las herramientas que funcionan a batería no requieren enchufarse en una toma de corriente. Por lo tanto, siempre están listas para funcionar. Sea consciente de los posibles peligros, incluso cuando la herramienta no está funcionando. Preste especial atención al efectuar reparaciones u operaciones de mantenimiento en la herramienta.
- No limpie la herramienta utilizando una manguera. Evite que penetre agua en el motor y en las conexiones eléctricas.
- Si se produce alguna situación que no esté incluida en este manual, actúe con cuidado y sentido común. Póngase en contacto con el departamento de atención al cliente de EGO para solicitar ayuda.

CONSERVE ESTAS INSTRUCCIONES EN UN LUGAR SEGURO!

ESPECIFICACIONES

Tensión	56 V $\overline{\text{---}}$	
Velocidad en vacío	4000-5800/min	
Sistema de corte	Cabezal de impacto	
Tipo de hilo de corte	Hilo retorcido de nailon de 2,4 mm	
Anchura de corte	38 cm	
Temperatura de funcionamiento recomendada	0°C-40°C	
Temperatura de almacenamiento recomendada	-20°C-70°C	
Peso (sin batería)	3,2 kg	
Nivel de potencia acústica ponderado L_{WA}	92,6 dB(A) K=0,8 dB(A)	
Nivel de presión acústica a la altura del oído del usuario L_{PA}	72,6 dB(A) K=2,5 dB(A)	
Nivel de potencia acústica garantizado L_{WA} (de acuerdo con la directiva 2000/14/CE)	93 dB(A)	
Nivel de vibraciones a_h	Empuñadura auxiliar delantera	3,5 m/s ² K=1,5 m/s ²
	Empuñadura trasera	2,1 m/s ² K=1,5 m/s ²

- El nivel total de vibraciones especificado ha sido medido conforme al método de prueba estándar empleado en la industria y puede utilizarse para efectuar comparaciones entre herramientas.
- Asimismo, el nivel total de vibraciones declarado podrá utilizarse para efectuar una evaluación preliminar de la exposición del usuario a los niveles de vibración generados por la herramienta.

AVISO: Las vibraciones generadas durante el uso real de la herramienta eléctrica podrán diferir del valor declarado en función de la manera en que se utilice. A modo de protección, el usuario deberá utilizar guantes y protectores auditivos en condiciones reales de uso.

LISTA DE EMBALAJE

LISTA DE EMBALAJE	CANTIDAD
Cortabordes con cabezal de hilo	1
Guarda de protección	1
Conjunto de empuñadura auxiliar delantera	1
Correa bandolera	1
Llave hexagonal	1
Manual de instrucciones	1
Hilo de corte	1

DESCRIPCIÓN

FAMILIARÍCESE CON SU CORTABORDES CON CABEZAL DE HILO (Fig. A)

1. Empuñadura trasera
2. Gatillo interruptor
3. Botón de desbloqueo del interruptor
4. Empuñadura auxiliar delantera ajustable
5. Correa bandolera
6. Tubo
7. Protección
8. Botón de liberación de la batería
9. Seguro
10. Contactos eléctricos
11. Mecanismo de expulsión
12. Cabezal del cortabordes (cabezal de impacto)
13. Botón de carga de hilo

14. Hilo de corte
15. Lengüeta de liberación
16. Cuchilla de recorte del hilo
17. Llave hexagonal

CONJUNTO

⚠ ADVERTENCIA: Si alguna pieza falta o está rota, no utilice el producto hasta haber sustituido las piezas rotas o instalado las que faltan. Podrían producirse lesiones físicas graves en caso de utilizar el producto si alguna de sus piezas falta o está dañada.

⚠ ADVERTENCIA: No intente modificar esta herramienta en modo alguno ni fabricar accesorios no recomendados para su uso en este cortabordes con cabezal de hilo. Cualquier alteración o modificación se considerará uso indebido y podría provocar una situación peligrosa con riesgo de sufrir lesiones graves.

⚠ ADVERTENCIA: Para evitar cualquier puesta en marcha accidental que pudiera causar lesiones físicas graves, asegúrese siempre de retirar el acumulador de la herramienta antes de proceder al montaje de cualquier pieza.

MONTAJE DE LA GUARDA DE PROTECCIÓN

⚠ ADVERTENCIA: Utilice siempre guantes al instalar o sustituir la guarda de protección. Tenga cuidado con la cuchilla instalada en la guarda y proteja adecuadamente sus manos para evitar cortarse.

⚠ ADVERTENCIA: Nunca utilice la herramienta sin la protección instalada y firmemente sujeta en su sitio. ¡La protección deberá estar siempre instalada en la herramienta para proteger al usuario! Cuando la protección esté fijada, no intente nunca quitarla o ajustarla. ¡En caso de que haya que sustituirla, deberá hacerlo un técnico cualificado!

Alinee los dos pernos que están preinstalados en la protección con los dos orificios roscados en el tubo (fig. B) y, a continuación, apriételos con la llave hexagonal incluida (fig. C).

Asegúrese de que la protección esté fijada tal como se muestra en las fig. B y C. ¡Si se fija de forma inversa provocará una situación de peligro grave!

MONTAJE Y AJUSTE DE LA EMPUÑADURA AUXILIAR DELANTERA

Empuje la empuñadura auxiliar delantera para introducirla sobre el tubo (fig. E); a continuación, inserte el bloque de fijación en la ranura de la empuñadura (fig. F), monte el tornillo de fijación y bloquéelos con la palometa (fig. G). El orden se muestra en la fig. D. Por último, ajuste la empuñadura auxiliar delantera entre el manguito blando y la etiqueta, asegurándose de que su brazo delantero esté estirado cuando use el cortabordes (fig. H) y, a continuación, bloquee la palanca del tornillo de fijación (fig. I).

Fig. D y H, ver abajo la descripción de las piezas:

D-1	Empuñadura auxiliar delantera	D-4	Tuerca de mariposata
D-2	Tornillo de fijación	H-1	Manguito blando
D-3	Bloque de fijación	H-2	Etiqueta de advertencia

AVISO: La empuñadura auxiliar delantera debe girarse hacia arriba para que indique hacia la parte superior de la empuñadura trasera.

⚠ ADVERTENCIA: ADVERTENCIA: Fije solo la empuñadura auxiliar delantera entre el manguito blando y la etiqueta del tubo.

⚠ ADVERTENCIA: La herramienta no se puede usar si la empuñadura auxiliar delantera no está sujeta de forma segura.

MONTAJE DE LA CORREA BANDOLERA

- Desenrosque y quite el tornillo del gancho de la correa (fig. J1 y J2).
- Instale el gancho en el tubo como se muestra en la fig. J3 y sujételo con el tornillo (Fig. J4).

⚠ ADVERTENCIA: Fije solo el gancho de la correa entre la carcasa y el manguito blando en el tubo.

UTILIZACIÓN

⚠ ADVERTENCIA: AÑO permita que la confianza que supone el hecho de estar familiarizado con el producto dé lugar a descuidos. Recuerde que cualquier distracción de una fracción de segundos es suficiente para sufrir o provocar lesiones graves.

⚠ ADVERTENCIA: Lleve siempre gafas de seguridad o gafas con pantallas de protección lateral, además de protección auditiva. De lo contrario, de la herramienta pueden salir objetos despedidos y alcanzar los ojos, provocando lesiones graves.

⚠ ADVERTENCIA: No utilice piezas o accesorios que no hayan sido recomendados por el fabricante de este producto. La utilización de piezas o accesorios no recomendados por el fabricante podría resultar en lesiones físicas graves.

⚠ ADVERTENCIA: Para evitar lesiones graves, quite la batería de la herramienta antes de realizar cualquier reparación, limpieza, cambio de accesorios o de retirar acumulaciones de material cortado.

Este producto podrá utilizarse para los propósitos indicados a continuación:

Recorte: se usa para quitar hierba y malas hierbas junto a paredes, vallas, árboles y bordes.

Corte: se usa para cortar la hierba difícil de alcanzar con un cortacésped normal.

AVISO: La herramienta debe utilizarse únicamente para el fin previsto. Cualquier otro uso, por ejemplo el corte de setos, se considerará uso indebido.

CONEXIÓN/DESCONEXIÓN DEL ACUMULADOR

AVISO: Para mantener un mejor equilibrio, cuando use baterías BA3360/BA4200/BA4200T/BA5600T combínelas con el arnés de mochila (BH1000).

Recargue totalmente el acumulador antes de usarlo.

Desconexión

Align the battery ribs with the mounting slots and press the battery pack down until you hear a “click” (Fig. K2). Alinee las nervaduras de la batería con las ranuras de montaje, e introduzca la batería presionándola hacia abajo hasta oír un “clic” (fig. K2).

Desconexión

Pulse el botón de liberación de la batería y saque la batería como se muestra en la fig. L.

Fig. K1 y K2l, ver abajo la descripción de las piezas:

K-1	Batería BA3360/BA4200 / BA4200T/BA5600T	K-4	Seguro
K-2	Adaptador	K-5	Ranura de montaje de la batería
K-3	Arnés de mochila		

CÓMO SOSTENER EL CORTABORDES CON CABEZAL DE HILO AL CORTAR LA HIERBA

⚠ ADVERTENCIA: Utilice ropa adecuada cuando trabaje con esta herramienta para reducir el riesgo de lesiones. No lleve puesta ropa holgada ni joyas. Utilice protección ocular y auditiva. Utilice pantalones largos, botas y guantes resistentes. No utilice pantalones cortos, sandalias, ni vaya descalzo.

Antes de ponerlo en marcha, sujete el cortabordes con las dos manos, una en la empuñadura trasera y la otra en la empuñadura auxiliar delantera, que deberá estar extendida (fig. M). A continuación, compruebe que tiene los pies en equilibrio y mantenga una distancia de corte adecuada.

AVISO: El cabezal del cortabordes está paralelo al suelo a una distancia de corte adecuada, sin que el usuario tenga que inclinarse.

PUESTA EN MARCHA/PARADA DEL CORTABORDES CON CABEZAL DE HILO

Puesta en marcha

Presione hacia abajo el botón de desbloqueo y, a continuación, apriete el gatillo interruptor. Las distintas presiones en el gatillo provocarán diferentes velocidades de giro del hilo de corte. Cuanta más presión, mayor será la velocidad.

Parada

Suelte el botón de desbloqueo y el gatillo.

AVISO: El motor solo funcionará cuando el botón de desbloqueo y el gatillo se presionen a la vez.

⚠ ADVERTENCIA: Asegúrese siempre de retirar el acumulador del cortabordes con cabezal de hilo durante cualquier pausa que haga durante el trabajo, así como una vez finalizada la tarea.

UTILIZACIÓN DEL CORTABORDES CON CABEZAL DE HILO

⚠ ADVERTENCIA: Para evitar sufrir lesiones físicas graves, asegúrese de utilizar gafas de seguridad o con cristales anti-impacto siempre que se sirva de esta herramienta. Asimismo, utilice mascarilla antipolvo o protección respiratoria si se sirve de la herramienta en entornos polvorientos.

Antes de cada uso, despeje la zona de trabajo. Quite todos los objetos como piedras, vidrios rotos, clavos, alambres, cables o cuerdas, ya que podrían salir despedidos por la acción de la herramienta o enredarse en el elemento de corte. Mantenga a los niños, las mascotas y otras personas fuera de la zona

de trabajo. Mantenga a los niños y otras personas, así como a las mascotas, a una distancia mínima de 15 m de la zona donde se esté utilizando la herramienta, ya que existe riesgo de que salgan objetos despedidos. Se recomienda que cualquier persona presente en la zona de trabajo utilice protección ocular. Apague inmediatamente el motor o desactive el dispositivo de corte si cualquiera se le acerca.

Antes de cada utilización, examine la herramienta para determinar la posible existencia de piezas dañadas o desgastadas.

Examine el cabezal de impacto, la guarda de protección y empuñadura auxiliar delantera. Sustituya cualquier pieza que esté agrietada, deformada, doblada o presente cualquier tipo de daño.

Con el tiempo, el filo de la cuchilla de recorte de hilo situada en el borde de la guarda de protección puede llegar a embotarse. Se recomienda afilarla con una lima a intervalos periódicos o sustituirla por otra nueva.

⚠ ADVERTENCIA: Lleve siempre guantes para montar la protección o reparar la cuchilla. Tenga cuidado con la cuchilla instalada en la protección y protéjase las manos adecuadamente para evitar cortarse.

Asegúrese de limpiar el cortabordes después de cada utilización.

⚠ PRECAUCIÓN: Cualquier obstrucción de los orificios de ventilación impedirá la correcta circulación de aire por el interior de la carcasa del motor, pudiendo hacer que este se sobrecaliente o sufra daños.

Use solo jabón suave y un paño húmedo para limpiar la herramienta. No deje nunca que entre líquido en la herramienta ni sumerja ninguna parte de la herramienta en ningún líquido.

- Mantenga en todo momento los orificios de ventilación de la carcasa del motor y el tubo libres de residuos

⚠ ADVERTENCIA: Nunca utilice agua para limpiar su herramienta. Evite utilizar disolventes para limpiar los elementos plásticos del producto. La mayoría de las piezas de plástico utilizadas son susceptibles de sufrir daños si se limpian con algunos de los tipos de disolventes de uso industrial disponibles en el mercado. Utilice paños limpios para eliminar la suciedad y los residuos de polvo, aceite, grasa, etc.

CONSEJOS PARA OBTENER RESULTADOS DE RECORTE ÓPTIMOS (FIG. N)

- El ángulo correcto para que el elemento de corte sea más eficaz es manteniéndolo paralelo al suelo.

- No fuerce el cortabordes. Permita que sea la punta del hilo la que efectúe el corte (especialmente al cortar la hierba a lo largo de las paredes). Cortando con otra sección del hilo que no sea la punta reducirá la eficacia de corte y podría sobrecargar el motor.
- La altura de corte está determinada por la distancia a la que se mantenga el hilo de corte con respecto a la superficie del césped.
- La hierba de una altura superior a 20 cm deberá cortarse progresivamente en varias etapas de escasa cantidad empezando por su parte superior a fin de evitar el desgaste prematuro del hilo de corte y llegar a someter el motor a una carga excesiva.
- Con un movimiento de vaivén, desplace lentamente el cortabordes dentro y fuera de la zona de corte, manteniendo el cabezal de corte a la altura de corte deseada. Dicho movimiento podrá efectuarse de delante hacia atrás o bien de lado a lado. Cortando una menor longitud de hierba obtendrá mejores resultados.
- Recorte únicamente el césped cuando la hierba y maleza estén secas.
- Las vallas de estacas o de metal pueden aumentar el desgaste del hilo de corte o hacer que se rompa. Las paredes de piedra y de ladrillo, bordillos y madera pueden desgastar el hilo muy deprisa.
- Evite los árboles y arbustos. La corteza de árbol, las molduras de madera, los revestimientos de madera y las estacas se pueden dañar fácilmente con el hilo.

Fig. N, ver abajo la descripción de las piezas:

N-1	Zona de corte óptima	N-2	Zona de corte peligrosa
-----	----------------------	-----	-------------------------

CÓMO AJUSTAR LA LONGITUD DEL HILO DE CORTE

El cabezal del cortabordes permite al usuario ir extrayendo más hilo de corte del carrete sin tener que detener el motor. A medida que el hilo se deshilacha o se desgasta, se puede extraer hilo adicional golpeando levemente el cartucho del carrete sobre el suelo mientras se utiliza el cortabordes (fig. O).

AVISO: La extracción del hilo de corte se hará más difícil a medida que se hace más corto o va quedando menos cantidad en el carrete.

⚠ ADVERTENCIA: No retire ni modifique en modo alguno la cuchilla de recorte del hilo presente en la guarda de protección. Una longitud excesiva de hilo de corte hará que el motor se sobrecaliente y podría dar lugar a lesiones físicas graves.

SUSTITUCIÓN DEL HILO DE CORTE

AVISO: Utilice siempre el hilo de corte de nailon recomendado, cuyo diámetro no sea mayor que 2,4 mm. Si se utiliza otro hilo de corte distinto al especificado, el cortabordes de hilo podría calentarse excesivamente y sufrir daños.

⚠ ADVERTENCIA: Nunca utilice carretes de alambre, hilo metálico reforzado, cuerda, etc., ya que podrían romperse y sus trozos convertirse en proyectiles peligrosos.

El cortabordes de hilo está equipado con un sistema avanzado de bobinado automático del hilo. El hilo de corte se puede enrollar en la bobina con solo pulsar un botón. La carga de una

bobina entera se puede finalizar en 12 segundos. Evite el uso repetido del sistema de bobinado en rápida sucesión, para reducir la posibilidad de que se dañe el motor.

1. Quite la batería.
2. En caso necesario, quite el hilo de corte que quede. Solo tiene que tirar de él con la mano.
3. Corte un pedazo de hilo de 4 m de longitud. Inserte el hilo en la anilla (fig. P) y empuje el hilo hasta que su extremo salga por la anilla contraria.

Fig. P, ver abajo la descripción de las piezas:

P-1	Hilo de corte	P-3	Anilla
P-2	Tapa inferior		

4. Quite la batería si se ha montado en el cortabordes de hilo en el paso anterior.
5. Tire del hilo desde el otro lado, hasta que aparezca la misma longitud de hilo por ambos lados del cabezal del cortabordes (fig. Q).
6. Instale la batería en el cortabordes de hilo. Mantenga pulsado el botón de carga de hilo para poner en marcha el motor de bobinado de hilo. El hilo se enrollará en el cabezal del cortabordes continuamente (fig. R).
7. Vigile atentamente la longitud de hilo restante. Prepárese para soltar el botón en cuanto queden aproximadamente 18 cm de hilo a cada lado. Pulse brevemente el botón de carga de hilo para ajustar la longitud hasta que se vean 14 cm de hilo a cada lado.
8. Empuje hacia abajo el cabezal del cortabordes mientras tira de los hilos para hacer que el hilo avance manualmente y para comprobar el montaje correcto del hilo de corte.

AVISO: En caso de que el hilo se introduzca accidentalmente en el cabezal del cortabordes, abra el cabezal y saque el hilo de corte de la bobina. Siga el apartado "RECARGAR EL HILO DE CORTE" en este manual para recargar el hilo.

RECARGAR EL HILO DE CORTE

Si el hilo de corte se rompe de la salida del hilo o si no se libera hilo de corte cuando se golpea el cabezal del cortabordes, realice los pasos siguientes para quitar el hilo de corte restante y recargar el hilo:

Si el hilo de corte se rompe de la salida del hilo o si no se libera hilo de corte cuando se golpea el cabezal del cortabordes, realice los pasos siguientes para quitar el hilo de corte restante y recargar el hilo:

1. Presione las dos lengüetas de liberación situadas en el cabezal del cortabordes y retire el cabezal del cortabordes tirando de él hacia fuera (Fig. S-1 y S-2).
2. Quite el hilo de corte del cabezal del cortabordes e inserte el resorte en la ranura del conjunto de la tapa inferior (fig. T).
3. Sujetando el cortabordes con una mano, use la otra mano para agarrar el conjunto de la tapa inferior y alinear las ranuras en el conjunto de la tapa inferior con las lengüetas de liberación. Presione el conjunto de la tapa inferior hasta que enganche en su lugar y se oiga un "clic" (fig. U).
4. Siga las instrucciones del apartado "SUSTITUCIÓN DEL HILO DE CORTE" para volver a cargar el hilo de corte.

Fig. S1, T y U, ver abajo la descripción de las piezas:

S1-1	Conjunto de la tapa inferior	U-1	Lengüeta de liberación
S1-2	Lengüeta de liberación	U-2	Ranura
T-1	Resorte		

SUSTITUCIÓN DEL CABEZAL DEL CORTABORDES

⚠ ADVERTENCIA: Si el cabezal se suelta tras haberlo fijado en su sitio, sustitúyalo inmediatamente. Nunca utilice un cortabordes con un accesorio de corte suelto. Sustituya inmediatamente cualquier cabezal de corte que esté agrietado, dañado o desgastado, incluso si el daño observado se limita a grietas superficiales. Un elemento de corte en esas condiciones podría romperse en pedazos al funcionar a altas revoluciones y provocar lesiones graves.

Quitar el cabezal del cortabordes

1. Quite la batería del cortabordes con cabezal de hilo.
2. Presione las lengüetas de liberación situadas en el cabezal del cortabordes y retire el conjunto de la tapa inferior del cabezal del cortabordes tirando de él hacia fuera (ver fig. S-1 y S-2).
3. Quite el hilo de corte del cabezal del cortabordes (fig. V).
4. Saque el resorte del conjunto de la bobina en caso necesario. Guárdelo para volver a instalarlo después.
5. Utilice guantes. Sujete con una mano el conjunto de la bobina para estabilizarlo y, con la otra mano, sujete una llave de impacto para aflojar la tuerca en sentido antihorario (fig. W).
6. Quite la tuerca, la arandela, el conjunto de la bobina y la tapa superior del eje del motor (fig. X).
7. Use alicates especiales para quitar el anillo de seguridad. Quite el conjunto del ventilador (fig. Y).
8. Sustitúyalo por un nuevo cabezal del cortabordes y móntelo en los pasos siguientes.

Fig. W, X e Y, ver abajo la descripción de las piezas:

W-1	Llave de impacto	X-4	Tuerca
X-1	Tapa superior	Y-1	Conjunto del ventilador
X-2	Conjunto de la bobina	Y-2	Anillo de seguridad
X-3	Arandela		

Instale el nuevo cabezal del cortabordes

1. Alinee la ranura codificada en el conjunto del ventilador con la chaveta del eje del motor, y monte el conjunto del ventilador en su lugar (fig. Z).
2. Instale el anillo de seguridad, la tapa superior, el conjunto de la bobina y la arandela, por ese orden. Use una llave de impacto en la tuerca para apretarla.
3. Siga las instrucciones del apartado "**RECARGAR EL HILO DE CORTE**" en este manual para montar el conjunto de la tapa inferior.
4. Siga las instrucciones del apartado "**SUSTITUCIÓN DEL HILO DE CORTE**" en este manual para volver a cargar el hilo de corte.
5. Ponga en marcha la herramienta para comprobar si el cortabordes con cabezal de hilo funciona normalmente. De lo contrario, vuelva a montarlo como se ha descrito arriba.

Fig. Z, ver abajo la descripción de las piezas:

Z-1	Chaveta	Z-2	Ranura codificada
-----	---------	-----	-------------------

MANTENIMIENTO

ES

⚠ ADVERTENCIA: Cuando efectúe reparaciones en la herramienta, utilice únicamente piezas idénticas a las originales. Examine la herramienta a intervalos periódicos y lleve a cabo las operaciones de mantenimiento que sean necesarias. Para garantizar la seguridad y fiabilidad del producto, confíe cualquier reparación que sea necesaria a personal técnico cualificado.

⚠ ADVERTENCIA: Las herramientas que funcionan a batería no requieren enchufarse en una toma de corriente. Por lo tanto, siempre están listas para funcionar. A fin de evitar sufrir posibles lesiones físicas graves, exteme las precauciones y proceda con cuidado al efectuar cualquier operación de mantenimiento, reparación o sustitución del elemento de corte o de otros accesorios de la herramienta.

⚠ ADVERTENCIA: A fin de evitar en lo posible sufrir lesiones físicas graves, asegúrese siempre de retirar el acumulador de la herramienta antes de proceder a efectuar cualquier reparación, limpieza, sustitución de accesorios y elementos de corte, así como de retirar acumulaciones de material cortado.

LIMPIEZA DE LA HERRAMIENTA

- Limpie la herramienta utilizando un paño húmedo y una pequeña cantidad de detergente suave.
- No utilice detergentes fuertes en la carcasa de plástico o en la empuñadura. Ciertos aceites aromáticos, como aquellos a base de limón o resina de pino y disolventes como queroseno, podrían dañar estas piezas. La humedad puede también contribuir al riesgo de sufrir descargas eléctricas. Utilice un paño suave y seco para eliminar cualquier resto de humedad.
- Utilice un cepillo pequeño o el accesorio tipo cepillo de una aspiradora para limpiar las obstrucciones de los orificios de ventilación de la carcasa trasera .

AFILAR LA CUCHILLA DE CORTE DEL HILO

⚠ ADVERTENCIA: Proteja siempre sus manos utilizando guantes gruesos cuando realice el mantenimiento de la cuchilla de corte del hilo.

1. Quite de la protección la cuchilla de corte del hilo.
2. Use guantes adecuados y protección ocular. Tenga cuidado de no cortarse.
3. Sujete la cuchilla en un tornillo de banco.
4. Lime con cuidado los filos de la cuchilla utilizando una lima de dientes finos o piedra de afilar y procurando mantener el ángulo original del filo.
5. Vuelva a colocar la cuchilla en la protección y sujétela en su lugar con los dos tornillos.

ALMACENAMIENTO DE LA HERRAMIENTA

- Retire el acumulador de su cortabordes con cabezal de hilo cuando no lo esté utilizando.
- Limpie minuciosamente la herramienta antes de proceder a su almacenamiento.
- Almacene la herramienta en un lugar seco y bien ventilado, ya sea cerrado o a una altura suficiente que impida que los niños puedan alcanzarla. No la guarde encima ni cerca de fertilizantes, gasolina u otros productos químicos.

Protección del medio ambiente



No elimine aparatos eléctricos, cargadores de baterías, acumuladores recargables o baterías junto con los desperdicios domésticos!

Tanto la Directiva europea 2012/19/UE sobre la eliminación de aparatos eléctricos y electrónicos inservibles como la Directiva europea 2006/66/CE sobre la eliminación de baterías o acumuladores defectuosos o agotados estipulan que dichos elementos deben ser objeto de una recogida selectiva.

Si los aparatos eléctricos acabaran tirándose a vertederos o basureros, podrían desprender sustancias perjudiciales que llegarían a contaminar las capas freáticas y entrar en la cadena alimenticia, con el consecuente peligro para la salud y calidad de vida humana.

RESOLUCIÓN DE PROBLEMAS

ES

ANOMALÍA	CAUSA	SOLUCIÓN
El cortabordes con cabezal de hilo no se pone en marcha	<ul style="list-style-type: none"> ■ El acumulador no está correctamente insertado en el cortabordes. ■ No hay contacto eléctrico entre el acumulador y el cortabordes. ■ El acumulador está agotado. ■ No ha presionado simultáneamente el botón de desbloqueo y el gatillo interruptor. 	<ul style="list-style-type: none"> ■ Inserte correctamente el acumulador en el cortabordes. ■ Retire el acumulador, compruebe los contactos eléctricos y vuelva a instalar el acumulador en su sitio. ■ Recargue el acumulador. ■ Mantenga presionado hacia abajo el botón de desbloqueo y apriete el gatillo interruptor para poner en marcha el cortabordes con cabezal de hilo.
La cuchilla no corta el hilo.	<ul style="list-style-type: none"> ■ La guarda de protección no está instalada en el cortabordes, haciendo que el hilo de corte quede extraído a una longitud excesiva y el motor se sobrecargue. ■ Se está utilizando un hilo de corte demasiado grueso. ■ Hay una acumulación excesiva de hierba en el eje del motor o cabezal del cortabordes. ■ El motor se ha sobrecargado ■ El acumulador o el circuito del cortabordes se han sobrecalentado. ■ El acumulador se ha desconectado de la herramienta. ■ El acumulador está agotado. 	<ul style="list-style-type: none"> ■ Retire el acumulador e instale la guarda de protección en el cortabordes. ■ Utilice hilo de corte de nailon recomendado, con un diámetro no superior a 2,4 mm. ■ Apague el cortabordes, retire el acumulador y, a continuación, elimine cualquier acumulación de hierba presente en el eje del motor o cabezal del cortabordes. ■ Aparte el cabezal del cortabordes de la hierba. El motor se recuperará y volverá a funcionar normalmente tan pronto como se haya aliviado la carga. Al cortar la hierba, desplace el cabezal del cortabordes por esta siguiendo un movimiento de vaivén y procurando cortar una longitud máxima de 20 cm en cada pasada. ■ Espere a que el acumulador o el cortabordes se hayan enfriado lo suficiente hasta que su temperatura sea inferior a 67°C. ■ Vuelva a instalar en su sitio el acumulador. ■ Recargue el acumulador.

ANOMALÍA	CAUSA	SOLUCIÓN
Trimmer head will not advance line	<ul style="list-style-type: none"> ■ Hay una acumulación excesiva de hierba en el eje del motor o cabezal del cortabordes. ■ No queda suficiente longitud del hilo de corte en el cartucho del carrete. ■ El cabezal del cortabordes está sucio. ■ El hilo está enredado en el cartucho del carrete. ■ El hilo de corte es demasiado corto. 	<ul style="list-style-type: none"> ■ Apague el cortabordes, retire el acumulador y, a continuación, elimine cualquier acumulación de hierba presente en el eje del motor o cabezal del cortabordes. ■ Retire el acumulador y sustituya el hilo de corte. Consulte el apartado titulado "SUSTITUCIÓN DEL HILO DE CORTE" que se incluye en este manual. ■ Quite la batería y limpie el cartucho del carrete y la base. ■ Quite la batería, retire el hilo de corte del cartucho del carrete y vuelva a enrollarlo correctamente. Consulte el apartado titulado "SUSTITUCIÓN DEL HILO DE CORTE" que se incluye en este manual. ■ Quite la batería y tire de los extremos del hilo de corte mientras presiona y suelta alternativamente el cabezal del cortabordes.
Grass wraps around trimmer head and motor housing	<ul style="list-style-type: none"> ■ Está cortando a nivel del suelo hierba que está demasiado alta. 	<ul style="list-style-type: none"> ■ Corte la hierba alta de arriba hacia abajo, cortando un máximo de 20 cm en cada pasada para así evitar que se enrede en la herramienta.
The blade is not cutting the line.	<ul style="list-style-type: none"> ■ El filo de la cuchilla de recorte de hilo situada en la guarda de protección está embotado. 	<ul style="list-style-type: none"> ■ Afíle la cuchilla de recorte del hilo utilizando una lima, o bien sustitúyala por una cuchilla nueva.
Cracks on the trimmer head or the spool retainer comes loose with spool base.	<ul style="list-style-type: none"> ■ El cabezal del cortabordes está desgastado. 	<ul style="list-style-type: none"> ■ Lleve el aparato inmediatamente a un técnico cualificado para que cambie el cabezal del cortabordes.
During line replacement, the line can't be loaded into the trimmer head properly.	<ul style="list-style-type: none"> ■ Las líneas "LOAD" del cartucho del carrete no están alineadas con las anillas de la base del carrete. ■ El hilo no se ha insertado correctamente en el orificio de montaje en la anilla. 	<ul style="list-style-type: none"> ■ Gire el cartucho del carrete en la dirección de la flecha para alinear las líneas "LOAD" del cartucho del carrete con las anillas de la base del carrete). ■ Alinee primero las líneas "LOAD" con las anillas y, a continuación, inserte el hilo en el orificio de montaje dentro de la anilla.

GARANTÍA

POLITICA DE GARANTÍA EGO

Por favor visite nuestra página web egopowerplus.com para los terminos y las condiciones completas de la politica de garantía EGO.

LEIA TODAS AS INSTRUÇÕES!



LEIA O MANUAL DE INSTRUÇÕES

⚠ Risco residual! As Risco residual! As pessoas com dispositivos eletrônicos, como pacemakers, deverão consultar o seu médico antes de utilizarem este produto. A utilização de equipamento elétrico perto de um pacemaker pode causar interferências ou falhas no pacemaker.

⚠ AVISO: Para assegurar a segurança e bom funcionamento, todas as reparações e substituições deverão ser efetuadas por um técnico de reparação qualificado.

SÍMBOLOS DE SEGURANÇA

O objetivo dos símbolos de segurança é chamar a atenção para possíveis perigos. Os símbolos de segurança e as respectivas explicações apresentadas requerem a sua atenção e compreensão. Os avisos de segurança, só por si, não eliminam o perigo. As instruções e avisos dados não são substitutos para medidas de prevenção adequadas a acidentes.

⚠ AVISO: Certifique-se de que lê e compreende todas as instruções de segurança neste manual do utilizador, incluindo todos os símbolos de alerta de segurança, como “PERIGO”, “AVISO”, e “CUIDADO” antes de utilizar esta ferramenta. Não seguir todas as instruções apresentadas abaixo pode resultar em choque elétrico, incêndio e/ou lesões graves.

SIGNIFICADO DOS SÍMBOLOS

⚠ SÍMBOLO DE ALERTA DE SEGURANÇA: Indica **PERIGO**, **AVISO** ou **CUIDADO**. Pode ser usado juntamente com outros símbolos ou imagens.

INSTRUÇÕES DE SEGURANÇA

Esta página retrata e descreve os símbolos de segurança que podem aparecer neste produto. Leia, compreenda e siga todas as instruções na máquina antes de a tentar montar e utilizar.

	Alerta de segurança	Indica um potencial perigo de lesões pessoais.
	Leia o manual do utilizador	Para reduzir o risco de lesões, o utilizador tem de ler e compreender o manual do utilizador antes de usar este produto.
	Utilize proteção ocular	Use sempre óculos de segurança com proteção lateral e, se necessário, uma proteção completa do rosto, quando utilizar este produto.
	Utilize proteção auditiva	Use sempre proteções auditivas para proteger a sua audição.
	Largura de corte	A largura máx. de corte da roçadora de fio
	Diâmetro do fio	O diâmetro do fio de corte de nylon
	Use proteção para a cabeça	Use um chapéu de proteção aprovado para proteger a cabeça.
	Use luvas de proteção	Proteja as suas mãos com luvas quando manusear a lâmina ou a proteção da lâmina. As luvas resistentes e anti-derrapantes melhoram a aderência e protegem as suas mãos.
	Use calçado de segurança	Use calçado de segurança anti-derrapante quando usar este equipamento.
	Cuidado com o impulso da lâmina	Avise o operador do perigo de impulso da lâmina.
	Ricochete e mantenha outras pessoas afastadas	Objetos podem ressaltar e causar lesões pessoais ou danos materiais. Certifique-se de que outras pessoas e animais permanecem afastados da roçadeira durante a utilização.

PT

	Mantenha terceiros afastados	Certifique-se de que outras pessoas e animais permanecem a, pelo menos, 15m do aparador de linha durante a utilização.
	Sem lâmina redonda	Não instale lâminas de corte redondas.
	Não exponha a unidade à chuva	Não use este produto à chuva nem o deixe no exterior quando chover.
	CE	Este produto encontra-se em conformidade com as diretivas CE aplicáveis.
	REEE	Os produtos elétricos residuais não deverão ser eliminados juntamente com o lixo doméstico comum. Entregue-os num centro de reciclagem autorizado.
	Ruído	Nível de potência do som garantido. Emissão de ruído para o ambiente de acordo com a diretiva da Comunidade Europeia.
V	Volts	Tensão
	Corrente direta	Tipo ou característica da corrente
n_0	Velocidade sem carga	Velocidade de rotação, sem carga
min^{-1}	Por minuto	Rotações por minuto

AVISOS DE SEGURANÇA GERAIS DA FERRAMENTA ELÉTRICA

⚠ AVISO: Leia todos os avisos de segurança, instruções, ilustrações e especificações fornecidas com esta ferramenta elétrica. Não seguir todas as instruções apresentadas abaixo pode resultar em choque elétrico, incêndio e/ou lesões graves. Guarde todos os avisos e instruções para futuras referências.

O termo "ferramenta elétrica" nos avisos refere-se às suas ferramentas elétricas ligadas à corrente elétrica (com fios) ou ferramentas elétricas que funcionam com bateria (sem fios).

SEGURANÇA NA ÁREA DE TRABALHO

- Mantenha a área de trabalho limpa e bem iluminada. Áreas desarrumadas ou escuras são propícias a acidentes.
- Não ligue ferramentas elétricas em atmosferas explosivas, tal como na presença de líquidos inflamáveis, gases ou pó. As ferramentas elétricas geram faíscas que podem provocar a ignição dos fumos ou pó.
- Mantenha crianças e terceiros afastados durante a utilização de uma ferramenta elétrica. As distrações podem fazer com que perca o controlo.

SEGURANÇA PESSOAL

- **Mantenha-se alerta, observe o que está a fazer e use senso comum quando estiver a trabalhar com uma ferramenta elétrica. Não utilize uma ferramenta elétrica enquanto estiver cansado ou sob o efeito de drogas, álcool ou medicação.** Um momento de falta de atenção enquanto trabalha com ferramentas elétricas pode resultar em lesões pessoais graves.
- **Use equipamento pessoal de proteção. Utilize sempre proteção ocular.** O equipamento de segurança, tal como máscara de pó, calçado de segurança antiderrapante, capacete de segurança, ou proteção para os ouvidos, utilizado nas condições adequadas, reduzirá a hipótese de lesões.
- **Evite os arranques sem intenção. Certifique-se de que o interruptor se encontra na posição de desligado antes de ligar à alimentação e/ou bateria e antes de pegar ou transportar a ferramenta.** Transportar ferramentas elétricas com o seu dedo no interruptor ou fornecer energia a ferramentas elétricas que tenham o interruptor na posição de ligado convida a acidentes.
- **Retire qualquer chave de ajuste ou chave de fendas antes de ligar a ferramenta elétrica.** Uma chave de porcas ou uma chave deixada ligada a uma peça rotativa da ferramenta elétrica pode provocar uma lesão.
- **Não cometa excessos. Mantenha sempre a base e o equilíbrio adequados.** Isto permite um melhor controlo da ferramenta elétrica em situações inesperadas.
- **Vista-se adequadamente. Não utilize roupa larga ou jóias. Mantenha o seu cabelo, roupa e luvas afastadas das peças móveis.** Roupas largas, jóias ou cabelo comprido podem ser apanhados pelas peças em movimento.
- **Se forem fornecidos dispositivos para a ligação de extração de pó e facilidades de recolha, certifique-se de que estes estão ligados e de que são devidamente utilizados.** A utilização de dispositivos

de recolha de pó pode reduzir os perigos relacionados com o pó.

- **Não permita que a familiaridade ganhe com a utilização de ferramentas o torne mais complacente e ignore os princípios de segurança da ferramenta.** Uma ação descuidada pode causar lesões severas numa fração de segundo.

UTILIZAÇÃO E CUIDADOS DA FERRAMENTA ELÉTRICA

- **Não force a ferramenta elétrica.** Utilize a ferramenta elétrica correta para a sua aplicação. A ferramenta elétrica correta fará o trabalho melhor e de forma mais segura ao ritmo para o qual foi concebida.
- **Não utilize a ferramenta elétrica se o interruptor não a ligar ou desligar.** Qualquer ferramenta que não possa ser controlada com o interruptor é perigosa e deve ser reparada.
- **Guarde as ferramentas elétricas não utilizadas fora do alcance das crianças e não permita que pessoas não familiarizadas com a ferramenta elétrica ou com estas instruções utilizem a ferramenta elétrica.** As ferramentas elétricas são perigosas nas mãos de utilizadores sem formação.
- **Proceda à manutenção das ferramentas elétricas e acessórios.** Certifique-se de que as partes móveis não estão desalinhadas ou bloqueadas, que não há peças quebradas ou qualquer outra condição que possa afetar o funcionamento da ferramenta elétrica. Se estiver danificada, leve a ferramenta elétrica para ser reparada antes da utilização. Muitos acidentes são provocados pela fraca manutenção das ferramentas elétricas.
- **Mantenha as ferramentas de corte afiadas e limpas.** Ferramentas devidamente mantidas com arestas de corte afiadas são menos fáceis de prender e mais fáceis de controlar.
- **Use a ferramenta elétrica, acessórios e brocas, etc., de acordo com estas instruções, tendo em conta as condições de trabalho e o trabalho a ser efetuado.** A utilização da ferramenta elétrica para operações diferentes daquelas para que foi criada pode dar origem a uma situação perigosa.
- **Mantenha as pegas e superfícies de segurar secas, limpas e sem óleo ou gordura.** Pegas e superfícies de segurar escorregadias não permitem o manuseamento seguro nem o controlo da ferramenta em situações inesperadas.
- **Mantenha cabos afastados da área de trabalho da ferramenta.** Durante o funcionamento, podem haver cabos ocultos nos arbustos que podem ser acidentalmente cortados pela ferramenta.

UTILIZAÇÃO E CUIDADOS DA FERRAMENTA COM A BATERIA

- **Recarregue apenas com o carregador especificado pelo fabricante.** Um carregador que seja adequado a um tipo de bateria pode criar um risco de incêndio quando usado com outra bateria.
- **Use ferramentas elétricas apenas com as baterias especificamente designadas.** A utilização de outras baterias pode criar um risco de lesão e incêndio.
- **Quando não usar a bateria, mantenha-a afastada de outros objetos de metais, como cliques de papel, moedas, chaves, pregos, parafusos ou outros pequenos objetos de metal que possam fazer a ligação entre os dois terminais.** Colocar os terminais da bateria em curto-circuito pode dar origem a queimaduras ou fogo.
- **Sob condições abusivas, pode ser ejetado líquido da bateria; evite o contacto. Se ocorrer contacto acidentalmente, lave com água corrente. Se o líquido entrar em contacto com os olhos, procure ajuda médica.** O líquido ejetado da bateria pode provocar irritação ou queimaduras.
- **Não use a bateria nem a ferramenta se estiverem danificadas ou modificadas.** Baterias danificadas ou modificadas podem apresentar comportamentos imprevisíveis, dando origem a fogo, explosão ou risco de lesões.
- **Não exponha a bateria ou a ferramenta ao fogo ou temperatura excessiva.** A exposição ao fogo ou a temperaturas acima dos 100 °C pode causar uma explosão.
- **Siga todas as instruções de carregamento e não carregue a bateria nem a ferramenta a uma temperatura fora dos parâmetros especificados nas instruções.** Carregar incorretamente ou a temperaturas fora dos parâmetros especificados pode danificar a bateria e aumentar o risco de fogo.

REPARAÇÃO

- **A manutenção da sua ferramenta elétrica deverá ser sempre efetuada por pessoas qualificadas, utilizando apenas peças sobresselentes idênticas.** Tal irá assegurar que a segurança da ferramenta elétrica é mantida.
- **Nunca tente reparar uma bateria danificada.** A reparação das baterias só deverá ser efetuada pelo fabricante ou por um reparador autorizado.

⚠ AVISO: Leia todos os avisos de segurança, instruções, ilustrações e especificações fornecidas com esta ferramenta elétrica. Não

seguir todas as instruções apresentadas abaixo pode resultar em choque elétrico, incêndio e/ou lesões graves. Guarde todos os avisos e instruções para futuras referências.

Guarde todos os avisos e instruções para futuras referências.

TREINO

- Leia atentamente o manual de instruções. Familiarize-se com os controles e utilização adequada deste equipamento.
- Nunca permita que pessoas ou crianças que não estejam familiarizadas com as instruções utilizem o aparelho. Há a possibilidade de existirem regulamentos locais que restrinjam a idade do operador.
- Tenha em conta que o operador ou utilizador é o responsável por acidentes ou perigos que ocorram a outras pessoas ou à sua propriedade.

PREPARAÇÃO

- Nunca utilize o aparelho com pessoas, especialmente crianças ou animais por perto.
- Utilize sempre proteção ocular e calçado resistente enquanto utiliza a máquina.
- A distância entre a máquina e terceiros deve ser de pelo menos 15 m.
- Nunca utilize a máquina quando o operador estiver cansado, doente ou sob a influência de álcool ou outras drogas.

FUNCIONAMENTO

- Use a máquina apenas à luz do dia ou com boa luz artificial.
- Nunca utilize a máquina com proteções danificadas ou sem as proteções montadas.
- Ligue o motor apenas quando as mãos e pés estiverem afastados de meios de corte.
- Desligue sempre a máquina da alimentação (retire a bateria).
 - Sempre que deixe a máquina sem supervisão;
 - Antes de limpar uma peça bloqueada;
 - Antes de inspecionar, limpar ou efetuar trabalhos na máquina;
 - Após bater num objeto estranho;
 - Sempre que a máquina comece a vibrar anormalmente.
- Tenha cuidado para não se magoar nos pés nem nas mãos durante o corte.
- Certifique-se sempre de que as aberturas de ventilação são mantidas sem lixo.

MANUTENÇÃO E ARRUMAÇÃO

- Desligue a máquina da alimentação (retire a bateria) antes de efetuar quaisquer trabalhos de manutenção ou de limpeza.
- Utilize apenas peças sobresselentes e acessórios recomendados pelo fabricante.
- Inspeccione e efetue a manutenção da máquina com regularidade. A máquina só pode ser reparada por um reparador autorizado.
- Quando não em uso, armazene a máquina fora do alcance das crianças.

AVISOS ADICIONAIS DE SEGURANÇA

- **Evite ambientes perigosos.** Não utilize aparelhos em locais húmidos ou molhados.
- **Mantenha as proteções no lugar e em bom estado de funcionamento.**
- **Mantenha as mãos e pés afastados da área de corte.**
- **Para reduzir o risco de lesões, nunca trabalhe em cima de uma escada ou noutro suporte inseguro. Nunca segure a unidade de corte acima da altura da cintura.**
- **Verifique regularmente a unidade de corte durante a utilização ou imediatamente após reparar nalguma alteração no comportamento de corte.**
- **Para melhores resultados, a sua bateria deverá ser carregada num local onde a temperatura seja superior a 5 °C e inferior a 40 °C.** Não guarde no exterior nem dentro de veículos.
- **Se alguém se aproximar, desligue o motor e a unidade de corte.**
- **Avisar o operador do perigo de impulso da lâmina (usar apenas com lâminas de 3 dentes).**
 - O impulso da lâmina pode ocorrer quando a lâmina giratória entrar em contacto com um objeto que não corte imediatamente.
 - O impulso da lâmina pode ser suficientemente violento para fazer com que a unidade e/ou operador seja ressaltado em qualquer direção e possivelmente perca o controlo da unidade.
 - O impulso da lâmina pode ocorrer sem aviso, caso a lâmina bata, fique presa ou limitada.
 - O impulso é mais provável em áreas onde seja difícil ver o material a ser cortado.
- **Não fixe qualquer lâmina numa unidade sem a instalação adequada de todas as peças necessárias. Não usar as peças adequadas pode fazer com que a lâmina se solte e lesione seriamente o operador e/ou**

outras pessoas. Elimine as lâminas dobradas, torcidas, rachadas, partidas ou danificadas de algum modo. Use uma lâmina afiada. Uma lâmina que não esteja afiada tem mais probabilidades de ficar presa e sofrer um impulso (use apenas lâminas com 3 dentes).

- Uma lâmina/linha solta pode causar lesões enquanto continua a girar após o motor parar ou libertar o gatilho. Mantenha o controlo adequado até que a lâmina/linha pare de rodar por completo.
- Utilize apenas com as baterias e carregadores listados na imagem A.
- As ferramentas que funcionam a bateria não têm de ser ligadas a uma tomada. Assim, estão sempre em estado de funcionamento. Tenha cuidado com possíveis perigos quando o aparelho não estiver a funcionar. Tenha cuidado quando efetuar a manutenção ou reparações.
- Não lave com uma mangueira. Evite que entre água no motor e nas ligações elétricas.
- Se ocorrerem situações que não sejam abrangidas por este manual, tenha cuidado e faça uso do bom senso. Contacte o centro de reparação da EGO para obter assistência.

GUARDE ESTAS INSTRUÇÕES!

ESPECIFICAÇÕES

Voltagem	56 V
Velocidade sem carga	4000-5800 /min
Mecanismo de corte	Cabeça de choque
Diâmetro da linha	Fio torcido de nylon de 2,4 mm
Largura de corte	38 cm
Temperatura de funcionamento recomendada	0°C-40°C
Temperatura de armazenamento recomendada	-20°C-70°C
Peso (sem a bateria)	3,2 kg
Nível de potência do som medido L_{WA}	92,6 dB(A) K=0,8 dB(A)
Nível de pressão do som na orelha do operador L_{PA}	72,6 dB(A) K=2,5 dB(A)
Nível de potência do som garantido L_{WA} (de acordo com a 2000/14/CE)	93 dB(A)

Vibração a_n	Pega auxiliar dianteira	3,5 m/s ² K=1,5 m/s ²
	Pega traseira	2,1 m/s ² K=1,5 m/s ²

O valor total declarado da vibração foi medido de acordo com um método de teste padrão e pode ser usado para comparar duas ferramentas;

- O valor total declarado da vibração também pode ser usado numa avaliação preliminar da exposição.

AVISO: A emissão de vibrações durante a utilização da ferramenta elétrica pode diferir do valor declarado em que a ferramenta é usada. De modo a proteger o utilizador, este deverá utilizar luvas e proteção auditiva nas condições atuais de utilização.

LISTA DE PEÇAS

NOME DA PEÇA	QUANTIDADE
Aparador de fio	1
Proteção	1
Conjunto da pega dianteira	1
Alça para os ombros	1
Chave hexagonal	1
Manual de funcionamento	1
Fio de corte	1

DESCRIÇÃO

CONHEÇA O SEU APARADOR DE FIO (Fig. A)

1. Pega traseira
2. Gatilho do interruptor
3. Botão de desbloqueio
4. Pega auxiliar dianteira ajustável
5. Alça para os ombros
6. Eixo
7. Cobertura de proteção
8. Botão de libertação da bateria
9. Aba
10. Contactos elétricos
11. Mecanismo de ejeção
12. Cabeça da roçadora (cabeça de choque)
13. Botão de libertação do fio

14. Fio de corte
15. Aba de libertação
16. Lâmina de corte do fio
17. Chave sextavada

MONTAR

AVISO: AVISO: Se quaisquer peças estiverem danificadas ou em falta não utilize este produto até as peças serem substituídas. Utilizar este produto com peças danificadas ou em falta pode dar origem a lesões pessoais sérias.

AVISO: Não tente modificar este produto nem criar acessórios que não sejam recomendados para utilizar com este aparelho de fio. Qualquer alteração ou modificação é considerada uma má utilização e pode dar origem a perigos, que podem levar a possíveis lesões pessoais sérias.

AVISO: Para evitar um arranque acidental que possa causar lesões pessoais sérias, retire sempre a bateria do produto durante a montagem das peças.

MONTAGEM DA PROTEÇÃO

AVISO: Utilize sempre luvas quando montar ou substituir a proteção. Tenha cuidado com a lâmina na proteção e proteja a sua mão contra cortes.

AVISO: Nunca utilize o aparelho sem a proteção bem colocada. A proteção tem de estar sempre no aparelho para proteger o utilizador! Quando a proteção estiver fixada, nunca tente retirar nem ajustar a proteção. Se for necessário substituí-la, isso deverá ser efetuado por um técnico de reparação qualificado!

Alinhe os dois parafusos, que vêm pré-montados na proteção, com os dois orifícios no eixo (Imagem B), e depois aperte com a chave sextavada fornecida (Imagem C).

Certifique-se de que a proteção é fixada de acordo com a Imagem B e C. Qualquer fixação inversa dará origem a grandes perigos!

MONTAR E AJUSTAR A PEGA DIANTEIRA

Pressione a pega auxiliar dianteira para o eixo (Imagem E), depois insira o bloco de fixação na ranhura da pega (Imagem F), fixe a haste de fixação e fixe tudo com a porca de asas (Imagem G). A sequência é a apresentada na Imagem D. Finalmente, ajuste a pega auxiliar dianteira entre a manga suave e a etiqueta, para se certificar de que o seu braço dianteiro fica esticado durante a operação (Imagem H) e depois fixe a alavanca da haste de fixação (Imagem I).

Imagem D e H: Descrição das peças apresentada abaixo:

D-1	Pega auxiliar dianteira	D-4	Porca de asas
D-2	Haste de fixação	H-1	Manga suave
D-3	Bloco de fixação	H-2	Etiqueta de aviso

AVISO: Rode a pega auxiliar dianteira para cima, para ficar virada para o topo da pega traseira.

AVISO: Fixe a pega auxiliar dianteira apenas entre a manga suave e a etiqueta no eixo.

AVISO: A ferramenta não pode ser usada sem a pega auxiliar dianteira devidamente fixada.

MONTAR A ALÇA PARA O OMBRO

1. Desaperte e retire o parafuso no gancho da alça (Imagem J1 e J2).
2. Fixe o gancho no eixo, conforme apresentado na Imagem J3, e fixe com o parafuso (Imagem 14).

AVISO: Fixe apenas o gancho da alça entre a estrutura e a manga suave do eixo.

FUNCIONAMENTO

AVISO: Não deixe que a sua familiaridade com o produto o torne descuidado. Lembre-se, uma fração de segundo de desatenção é suficiente para infligir ferimentos graves.

AVISO: Use sempre óculos de segurança com proteção lateral, juntamente com proteção auditiva. Se não o fizer, pode apanhar com objetos nos olhos, dando origem a possíveis lesões sérias.

AVISO: Não utilize quaisquer ligações ou acessórios não recomendados pelo fabricante deste produto. O uso de ligações ou acessórios não recomendados pode resultar em ferimentos pessoais graves.

AVISO: Para evitar lesões pessoais sérias, retire a bateria antes da reparação, limpeza, mudança de acessórios ou remoção de material da unidade.

Pode utilizar este produto para os objetivos abaixo listados:

Aparar: usado para retirar relva e ervas daninhas encostadas a paredes, vedações, árvores e orlas.

Cortar: usado para cortar relva difícil de alcançar usando uma máquina de cortar relva normal.

AVISO: A ferramenta só deve ser utilizada para o seu propósito destinado. Qualquer outra utilização, por exemplo desbaste de sebes, será considerada má utilização.

FIXAR/RETIRAR A BATERIA

AVISO: Para um melhor equilíbrio, quando usar baterias BA3360/BA4200/BA4200T/BA5600T, utilize com o arnês da mochila (BH1000).

Carregue por completo antes da primeira utilização.

Para fixar

Alinhe as abas da bateria com as ranhuras de fixação e pressione a bateria para baixo até ouvir um “clique” (Imagem K2).

Para retirar

Prima o botão de libertação da bateria e puxe a bateria para fora, conforme apresentado na Imagem L.

Imagem K1 e K2: Descrição das peças apresentada abaixo:

K-1	Bateria BA3360/ BA4200 / BA4200T/ BA5600T	K-4	Patilha
K-2	Adaptador	K-5	Ranhura de fixação da bateria
K-3	Arnês da mochila		

SEGURAR O APARADOR DE FIO

AVISO: Vista-se adequadamente para reduzir o risco de lesões quando utilizar este aparelho. Não utilize roupa larga ou joias. Utilize proteções oculares e auditivas. Utilize calças compridas e resistentes, botas e luvas. Não utilize roupa curta, sandálias nem ande descalço.

Antes da utilização, segure a roçadora com ambas as mãos, uma mão na pega traseira e a outra na pega auxiliar dianteira, que deverá ficar direita (Imagem M). Depois verifique se existe equilíbrio e uma distância de corte apropriada.

AVISO: A cabeça da roçadora deverá estar paralela ao chão a uma distância de corte adequada sem que o operador tenha de se dobrar.

LIGAR/PARAR O APARADOR DE FIO

Para ligar

Pressione o botão de desbloqueio e depois prima o gatilho. Uma pressão diferente no gatilho dá origem a uma velocidade de rotação variável do fio de corte. Quanto maior for a pressão, maior é a velocidade.

Para parar

Liberte o botão de desbloqueio e o gatilho.

AVISO: O motor só funciona quando o botão de desbloqueio e o gatilho são pressionados simultaneamente.

AVISO: Retire sempre a bateria do aparador de fio nas pausas de trabalho e após conclusão de um trabalho.

UTILIZAR O APARADOR DE FIO

AVISO: Para evitar lesões pessoais sérias, utilize sempre óculos de segurança quando utilizar este aparelho. Utilize uma máscara para o rosto ou máscara do pó em locais poeirentos.

Limpe a área a cortar antes de cada utilização. Retire todos os objetos, como pedras, vidro partido, pregos, arames ou fios que possam ser atirados ou ficar presos no acessório de corte. Afaste as crianças, terceiros e animais. No mínimo, mantenha as crianças, terceiros e animais a um raio de 15 metros. Poderá continuar a haver um risco para as pessoas devido aos objetos que possam ser atirados. Quaisquer terceiros deverão ser encorajados a utilizar proteção ocular. Se alguém se aproximar, desligue imediatamente o motor e o acessório de corte.

Antes de cada utilização, verifique se existem peças gastas/danificadas.

Verifique a cabeça de choque, proteção, pega dianteira e substitua as peças rachadas, torcidas, dobradas ou danificadas de algum modo.

Esta lâmina para cortar o fio na extremidade da proteção pode deixar de ficar afiada com o passar do tempo. Recomendamos que afie periodicamente com uma lima ou que a substitua por uma lâmina nova.

AVISO: Utilize sempre luvas quando montar a proteção ou reparar a lâmina. Tenha cuidado com a lâmina na proteção e proteja a sua mão contra cortes.

Após cada utilização, limpe o aparador.

CUIDADO: As obstruções nas aberturas de ventilação impedem que o ar flua para a estrutura do motor, dando origem a um sobreaquecimento ou danos no motor.

Utilize apenas detergente neutro e um pano humedecido para limpar o aparelho. Nunca permita que entrem líquidos no aparelho e nunca coloque qualquer parte do aparelho dentro de qualquer líquido.

- Mantenha sempre as entradas de ar da estrutura do motor e eixo sem resíduos.

AVISO: Nunca utilize água para limpar o seu equipamento. Evite utilizar solventes quando limpa peças plásticas. Os plásticos são mais suscetíveis a danos de vários tipos de solventes comerciais. Utilize panos de limpeza para retirar sujidades, pó, óleo, gordura, etc.

DICAS PARA MELHORES RESULTADOS DE CORTE (IMAGEM N)

- O ângulo correto do acessório de corte é paralelo ao chão.
- Não force a roçadora. Permita que a ponta do fio faça o corte (especialmente ao longo de paredes). Cortar com mais do que uma ponta reduz a eficiência de corte e pode sobrecarregar o motor.
- A altura de corte é determinada pela distância do fio de corte à erva.
- Erva com mais de 20 cm deverá ser cortada trabalhando progressivamente de cima para baixo, em pequenos incrementos, para evitar um desgaste prematuro do fio ou prisão do motor.
- Mova a roçadora lentamente para dentro e para fora da área a ser cortada, mantendo a posição da cabeça de corte na altura de corte desejada. Este movimento pode ser para a frente e para trás, ou pode ser de um lado para o outro. Cortar distâncias mais curtas dá origem a melhores resultados.
- Corte apenas quando a erva estiver seca.
- Vedações de arame ou estacas causam um maior desgaste no fio de corte, ou mesmo quebras. Paredes de pedra ou tijolo, bordas de passeio em lancil ou madeira podem desgastar rapidamente o fio de corte.
- Evite árvores ou sebes. O fio de corte pode danificar facilmente casca de árvore, rodapés, painéis exteriores em madeira e postes para vedações.

Imagem N: Descrição das peças apresentada abaixo:

N-1	Melhor área de corte	N-2	Área de corte perigosa
-----	----------------------	-----	------------------------

AJUSTAR O COMPRIMENTO DO FIO DE CORTE

A cabeça da roçadora permite ao operador libertar mais fio de corte sem parar o motor. À medida que o fio fica gasto, pode libertar mais fio, batendo ligeiramente o fixador da bobina no chão enquanto utiliza a roçadora (Imagem O).

AVISO: A libertação do fio irá ser mais difícil pois o fio começa a ficar mais curto.

AVISO: Não retire nem altere o conjunto da lâmina de corte do fio. Um fio com um comprimento excessivo faz o motor sobreaquecer e pode dar origem a lesões pessoais sérias.

SUBSTITUIÇÃO DO FIO

AVISO: Use sempre o fio de corte de nylon recomendado, com um diâmetro que não exceda 2,4 mm. Usar o fio com outros intuitos pode fazer com que a roçadora sobreaqueça ou fique danificada.

AVISO: Nunca use fio de metal reforçado, arame, corda, etc. Estes podem partir e tornarem-se projéteis perigosos.

A roçadora de fio vem equipada com um sistema avançado de enrolar automático do fio. O fio de corte pode ser enrolado na bobina premindo simplesmente um botão. Carregar uma bobina cheia habitualmente leva 12 segundos. Evite um funcionamento repetido do sistema de enrolar em rápida sucessão, para reduzir a possibilidade de danos no motor.

1. Retire a bateria.
2. Retire o fio de corte restante, se necessário. Basta puxá-la à mão para fora.
3. Corte um pedaço de fio de corte com cerca de 4m de comprimento. Insira o fio no ilhó (Imagem P) e pressione o fio até que a extremidade saia no ilhó oposto.

Imagem P: Descrição das peças apresentada abaixo:

P-1	Fio de corte	P-3	Ilhó
P-2	Cobertura inferior		

4. Retire a bateria, caso esta tenha sido montada na roçadora no passo anterior.
5. Puxe o fio a partir do outro lado, até que apareçam quantidades iguais de fio em ambos os lados da cabeça da roçadora (Imagem Q).
6. Instale a bateria na roçadora de fio. Prima e mantenha premido o botão de carregamento do fio para iniciar o motor de enrolar o fio. O fio deverá ser enrolado continuamente na cabeça da roçadora (Imagem R).
7. Observe cuidadosamente o comprimento restante do fio. Prepare-se para deixar de premir o botão mal haja cerca de 18 cm de fio em cada lado. Prima brevemente o botão de carregamento do fio para ajustar o comprimento, até que haja 14 cm de fio de cada lado.
8. Pressione a cabeça da roçadora enquanto puxa os fios para avançar manualmente o fio e verificar a montagem correta do fio de corte.

AVISO: Caso o fio seja puxado para dentro da cabeça da roçadora por acidente, abra a cabeça e puxe o fio de corte para fora da bobina. Siga a secção "RECARREGAR O FIO DE CORTE" neste manual para recarregar o fio.

RECARREGAR O FIO DE CORTE

Quando o fio de corte se partir na saída do fio, ou não for libertado quando bater com a cabeça da roçadora, siga os passos apresentados abaixo para retirar o resto de fio de corte e recarregá-lo.

1. Prima as duas abas de libertação na cabeça da roçadora e retire a cabeça, puxando a direito (Imagem S1 e S-2).
2. Retire o fio de corte da cabeça da roçadora e insira a mola na ranhura no conjunto da cobertura inferior (Imagem T).
3. Com uma mão a segurar a roçadora, use a outra mão para segurar o conjunto da cobertura inferior e alinhar as ranhuras no conjunto da cobertura inferior com as abas de libertação. Pressione o conjunto da cobertura inferior até encaixar no devido lugar. Ouvirá um clique (Imagem U).
4. Siga as instruções em “SUBSTITUIÇÃO DO FIO” para recarregar o fio de corte.

Imagem S1, T e U: Descrição das peças apresentada abaixo:

S1-1	Conjunto da cobertura inferior	U-1	Aba de libertação
S1-2	Aba de libertação	U-2	Ranhura
T-1	Mola		

SUBSTITUIÇÃO DA CABEÇA DA ROÇADORA

⚠ AVISO: Se a cabeça se soltar após fixá-la, substitua-a imediatamente. Nunca use uma roçadora com um acessório de corte solto. Substitua imediatamente uma cabeça de corte rachada, danificada ou gasta, mesmo que o dano esteja limitado a rachas superficiais. Tais acessórios podem despedaçar-se a alta velocidade e causar lesões sérias.

Remove the trimmer head

1. Retire a bateria da roçadora de fio.
2. Prima as abas de libertação na cabeça da roçadora e retire o conjunto da cobertura inferior da cabeça da roçadora puxando a direito (Imagem S1 e S2).
3. Retire o fio de corte da cabeça da roçadora (Imagem V).
4. Se necessário, retire a mola do conjunto da bobina. Guarde-a para voltar a ser montada.
5. Use luvas. Com uma mão, segure o conjunto da bobina para o estabilizar e, com a outra, segure uma chave de impacto para desapertar a porca no sentido inverso ao dos ponteiros do relógio (Imagem W).
6. Retire a porca, anilha, conjunto da bobina e cobertura superior do eixo do motor (Imagem X).
7. Use um alicate de anel para retirar o anel de impulso. Retire o conjunto da ventoinha (Imagem Y).
8. Substitua por uma nova cabeça da roçadora e monte seguindo os passos a seguir.

Imagem W, X e Y: Descrição das peças apresentada abaixo:

W-1	Chave de impacto	X-4	Porca
X-1	Cobertura superior	Y-1	Conjunto da ventoinha
X-2	Conjunto da bobina	Y-2	Anel de impulso
X-3	Anilha		

Instalar a nova cabeça da roçadora

1. Alinhe a ranhura da chave no conjunto da ventoinha com a chaveta no eixo do motor, e monte o conjunto da ventoinha no respetivo lugar (Imagem Z).
2. Monte o anel de impulso, cobertura superior, conjunto da bobina e anilha por esta ordem. Use uma chave de impacto na porca para a apertar.
3. Siga as instruções na secção “RECARREGAR O FIO DE CORTE” neste manual para montar o conjunto da cobertura inferior.
4. Siga as instruções na secção “SUBSTITUIÇÃO DO FIO” neste manual para recarregar o fio de corte.
5. Ligue a ferramenta para ver se a roçadora de fio funciona normalmente. Se não for o caso, volte a montar conforme descrito anteriormente.

Imagem Z: Descrição das peças apresentada abaixo:

Z-1	Chaveta	Z-2	Ranhura da chave
-----	---------	-----	------------------

MAINTENANCE

⚠ AVISO: Quando fizer reparações, utilize apenas peças sobressalentes idênticas. Inspeccione e efetue a manutenção da máquina com regularidade. Para assegurar a segurança e bom funcionamento, todas as reparações deverão ser efetuadas por um técnico de reparação qualificado.

⚠ AVISO: As baterias não têm de ser ligadas a uma tomada. Assim, estão sempre em estado de funcionamento. Para evitar lesões pessoais sérias, tenha muito cuidado quando efectuar a manutenção, reparação ou mudança do acessório de corte ou de outros acessórios.

⚠ AVISO: Para evitar lesões pessoais sérias, retire a bateria do aparelho antes da reparação, limpeza, mudança de acessórios ou remoção de material da unidade.

LIMPEZA DA UNIDADE

- Limpe a unidade usando um pano humedecido com detergente suave.
- Não utilize detergentes fortes na estrutura de plástico ou na pega. Estes podem ser danificados por determinados óleos aromáticos, como pinho e limão e por solventes como querosene. A humidade também pode causar um perigo de choque. Retire qualquer vestígio de humidade com uma pano macio e seco.
- Utilize uma pequena escova ou a descarga de ar de uma pequena escova aspiradora para desobstruir as entradas de ar na estrutura traseira.

AFIAR A LÂMINA DE CORTE DO FIO

⚠ AVISO: Proteja sempre as suas mãos com luvas resistentes quando efetuar qualquer trabalho de manutenção na lâmina de corte do fio.

1. Retire a lâmina de corte do fio da proteção.
2. Use proteção ocular adequada e luvas, e tenha cuidado para não se cortar.
3. Fixe a lâmina num torno.
4. Lime cuidadosamente as extremidades de corte da lâmina com uma lima para dentes finos, ou pedra de afiar, mantendo o ângulo original da extremidade de corte.
5. Volte a colocar a lâmina na proteção e fixe no respetivo lugar com os dois parafusos.

GUARDAR A UNIDADE

- Retire a bateria do aparador de fio quando não o utilizar.
- Limpe bem o aparelho antes de o guardar.
- Armazene a unidade num local seco, bem ventilado, trancado ou elevado, fora do alcance das crianças. Não armazene a unidade em cima ou perto de fertilizantes, gasolina ou outros químicos.

Proteção do ambiente



Não elimine o equipamento elétrico, o carregador da bateria e as baterias/baterias recarregáveis juntamente com o lixo doméstico comum!

De acordo com a norma europeia 2002/19/UE, o equipamento elétrico e eletrónico que deixe de ser usado e de acordo com a norma europeia 2006/66/CE, as baterias gastas ou defeituosas têm de ser recolhidas em separado.

Se os equipamentos elétricos forem eliminados em aterros ou lixeiras, substâncias perigosas podem vaziar para os lençóis freáticos e entrar na cadeia de alimentação, danificando a sua saúde e bem-estar.

RESOLUÇÃO DE PROBLEMAS

PROBLEMA	CAUSA	SOLUÇÃO
O aparador de fio não pega.	<ul style="list-style-type: none"> ■ A bateria não foi colocada no aparador de fio. ■ Não existe contacto elétrico entre o aparador e a bateria. ■ A bateria está gasta. ■ O botão de desbloqueio e o gatilho não foram premidos em simultâneo. 	<ul style="list-style-type: none"> ■ Fixe a bateria no aparador. ■ Retire a bateria, verifique os contactos e volte a instalar a bateria. ■ Carregue a bateria. ■ Prima o botão de desbloqueio e mantenha premido, depois prima o gatilho para ligar a roçadora de fio.
A lâmina não está a cortar o fio.	<ul style="list-style-type: none"> ■ A proteção não está montada no aparador, fazendo com que haja um fio excessivamente comprido e o sobreaquecimento do motor. ■ Está a utilizar um fio de corte muito pesado. ■ O eixo do motor ou a cabeça do aparador estão cheios de relva. ■ O motor está sobrecarregado. ■ A bateria ou aparador de fio estão muito quentes. ■ A bateria foi retirada da ferramenta. ■ A bateria está gasta. 	<ul style="list-style-type: none"> ■ Retire a bateria e monte a proteção no aparador. ■ Use o fio de corte de nylon recomendado com um diâmetro nunca superior a 2,4 mm. ■ Pare o aparador, retire a bateria e retire a relva do eixo do motor e da cabeça do aparador. ■ Retire a cabeça do aparador da relva. O motor volta a funcionar mal a carga seja retirada. Quando cortar, mova a cabeça do aparador para um lado e para o outro na relva a ser cortada e nunca retire mais de 20cm num único corte. ■ Deixe a bateria ou aparador arrefecer até que a temperatura atinja menos de 67 °C. ■ Volte a colocar a bateria. ■ Carregue a bateria.

PROBLEMA	CAUSA	SOLUÇÃO
Trimmer head will not advance line	<ul style="list-style-type: none"> ■ O eixo do motor ou a cabeça do aparador estão cheios de relva. ■ Não tem fio suficiente no fixador da bobina. ■ A cabeça do aparador está suja. ■ O fio está entrelaçado no fixador da bobina. ■ O fio é demasiado curto. 	<ul style="list-style-type: none"> ■ Pare o aparador, retire a bateria e retire a relva do eixo do motor e da cabeça do aparador. ■ Retire a bateria e substitua o fio de corte. Siga a secção "SUBSTITUIÇÃO DO FIO" neste manual. ■ Retire a bateria e limpe o fixador da bobina e a base da bobina. ■ Retire a bateria, retire o fio do fixador da bobina e enrole. Siga a secção "SUBSTITUIÇÃO DO FIO" neste manual. ■ Retire a bateria e puxe os fios enquanto pressiona alternadamente e liberta a cabeça da roçadora.
Grass wraps around trimmer head and motor housing	<ul style="list-style-type: none"> ■ Cortar relva alta ao nível do solo. 	<ul style="list-style-type: none"> ■ Corte relva alta do topo até baixo, nunca retirando mais de 20cm em cada passo para evitar que a erva se enrole.
The blade is not cutting the line.	<ul style="list-style-type: none"> ■ A lâmina de corte do fio na extremidade da proteção deixou de estar afiada. 	<ul style="list-style-type: none"> ■ Afiar a lâmina de corte do fio com uma lima ou substitua por uma lâmina nova.
Cracks on the trimmer head or the spool retainer comes loose with spool base.	<ul style="list-style-type: none"> ■ A cabeça da roçadora está gasta. 	<ul style="list-style-type: none"> ■ A cabeça da roçadora deverá ser substituída imediatamente por um técnico de reparação qualificado.
During line replacement, the line can't be loaded into the trimmer head properly.	<ul style="list-style-type: none"> ■ Os fios CARREGADOS do fixador da bobina não ficam alinhados com os ilhós na base da bobina. ■ O fio não foi inserido corretamente no orifício de fixação no ilhó. 	<ul style="list-style-type: none"> ■ Rode o fixador da bobina na direção da seta para alinhar o fio CARREGADO no fixador da bobina com os ilhós na base da bobina. ■ Alinhe primeiro o fio CARREGADO com os ilhós, depois insira o fio no orifício de fixação dentro do ilhó.

GARANTIA

POLÍTICA DE GARANTIA EGO

Por favor, visite o website egopowerplus.com para saber todos os termos e condições da política de garantia EGO.

LEGGERE TUTTE LE ISTRUZIONI!



LEGGERE IL MANUALE DI ISTRUZIONI

⚠️ Rischi residui! Le persone portatrici di dispositivi elettronici, ad esempio pacemaker, devono consultare il proprio medico prima di usare questo prodotto. L'utilizzo di apparecchi elettrici in prossimità di pacemaker cardiaci comporta il rischio di interferenze o malfunzionamento del pacemaker.

⚠️ AVVERTENZA! Per garantire sicurezza e affidabilità, tutte le riparazioni e sostituzioni devono essere eseguite da un tecnico qualificato.

SIMBOLI DI SICUREZZA

Lo scopo dei simboli di sicurezza è attirare l'attenzione dell'operatore su possibili pericoli. I simboli di sicurezza e le relative spiegazioni richiedono la massima attenzione e comprensione da parte dell'operatore. Le avvertenze espresse dai simboli, da sole, non eliminano tutti i rischi. Le istruzioni e le avvertenze non sostituiscono le adeguate misure di prevenzione contro gli incidenti.

⚠️ AVVERTENZA! Accertarsi di aver letto e compreso tutte le istruzioni di sicurezza in questo manuale, inclusi tutti i simboli di avvertenza come "PERICOLO", "AVVERTENZA" e "ATTENZIONE", prima di usare questo apparecchio. Il mancato rispetto di tutte le istruzioni elencate di seguito comporta il rischio di scossa elettrica, incendio e/o lesioni gravi.

SIGNIFICATO DEI SIMBOLI

⚠️ AVVERTENZA DI SICUREZZA: Indica **PERICOLO**, **AVVERTENZA** o **ATTENZIONE**. Può essere usato in combinazione con altri simboli.

ISTRUZIONI DI SICUREZZA

Questa pagina illustra e descrive i simboli di sicurezza che possono comparire sul prodotto. Leggere, comprendere e seguire tutte le istruzioni sull'apparecchio prima di tentare di assemblarlo e ripararlo.

	Avvertenza di sicurezza	Indica un potenziale rischio di infortunio.
	Leggere il manuale di istruzioni	Per ridurre il rischio di infortunio, l'utente deve leggere e comprendere tutte le istruzioni prima di usare questo prodotto.
	Indossare protezioni per gli occhi	Durante l'uso del prodotto, indossare sempre occhiali protettivi o occhiali di sicurezza con protezioni laterali e una maschera facciale.
	Indossare protezioni per le orecchie	Indossare sempre dispositivi di protezione dell'udito (tappi per orecchie o cuffie).
	Ampiezza di taglio	Ampiezza di taglio max. del decespugliatore
	Diametro filo	Diametro del filo di taglio in nylon
	Indossare protezioni per la testa	Indossare un casco di sicurezza omologato per proteggere la testa.
	Indossare guanti di sicurezza	Proteggere le mani con i guanti durante la manipolazione della lama o della protezione parasassi. Guanti robusti e antiscivolo migliorano la presa e proteggono le mani dell'operatore.
	Indossare calzature di sicurezza	Indossare calzature di sicurezza antiscivolo durante l'uso di questo apparecchio.
	Fare attenzione al rischio di contraccolpo	Avverte l'operatore del pericolo di contraccolpo della lama.

	Rimbalzo - Tenere lontane le altre persone	Gli oggetti lanciati possono rimbalzare e causare danni o lesioni. Assicurarsi che eventuali altre persone e animali rimangano a distanza dall'apparecchio quando è in funzione.
	Tenere lontane le altre persone	Assicurarsi che eventuali altre persone e animali rimangano ad almeno 15m di distanza dall'apparecchio quando è in funzione.
	Non usare lame rotonde	Non installare lame rotonde.
	Non esporre alla pioggia	Non usare l'apparecchio in caso di pioggia e non lasciarlo all'aperto quando piove.
	CE	Questo prodotto è conforme alle direttive europee applicabili.
	RAEE	I prodotti elettrici non devono essere smaltiti insieme ai rifiuti domestici. Portarli presso un centro di riciclaggio autorizzato.
	Rumore	Livello di potenza sonora garantito. Emissione di rumore nell'ambiente conforme alla direttiva dell'Unione europea.
V	Volts	Voltaggio
	Corrente continua	Tipo o caratteristica della corrente
n_0	Velocità a vuoto	Tipo o caratteristica della corrente
min^{-1}	Al minuto	Tipo o caratteristica della corrente

AVVERTENZE DI SICUREZZA COMUNI A TUTTI GLI UTENSILI ELETTRICI

⚠ AVVERTENZE Leggere tutte le avvertenze di sicurezza, istruzioni, illustrazioni e specifiche fornite insieme a questo utensile elettrico. Il mancato rispetto delle istruzioni sotto riportate comporta il rischio di scossa elettrica, incendio e/o gravi infortuni.

Conservare tutte le avvertenze e le istruzioni per futuro riferimento.

Il termine "utensile elettrico" nelle avvertenze si riferisce a un utensile elettrico alimentato da una rete elettrica (con cavo) o a batterie (senza cavo).

SICUREZZA DELL'AREA DI LAVORO

- Mantenere l'area di lavoro pulita e ben illuminata. Aree ingombre e ombreggiate favoriscono gli incidenti.
- Non usare gli utensili elettrici in atmosfere esplosive, ad esempio in presenza di liquidi, gas o polveri infiammabili. Gli utensili elettrici creano scintille che possono incendiare polveri o fumi.
- Tenere eventuali altre persone e bambini lontane durante l'uso di un utensile elettrico. Le distrazioni comportano il rischio di perdita di controllo.

SICUREZZA PERSONALE

- **Durante l'uso di un utensile elettrico, prestare sempre la massima attenzione e utilizzare il buon senso. Non usare un utensile elettrico se si è stanchi o sotto l'effetto di droghe, alcol o farmaci.** Un solo attimo di disattenzione durante l'uso dell'utensile elettrico può provocare gravi infortuni.
- **Indossare attrezzatura di protezione. Indossare sempre protezioni per gli occhi.** Se le condizioni lo richiedono, indossare anche maschere antipolveri, calzature antiscivolo, caschi o protezioni per le orecchie per ridurre il rischio di infortunio.
- **Prevenire l'avvio accidentale. Assicurarsi che l'interruttore sia in posizione di spegnimento prima di sollevare, trasportare o collegare l'utensile elettrico alla presa di corrente e/o alla batteria.** Per ridurre il rischio di incidenti, non trasportare gli utensili elettrici tenendo le dita sull'interruttore e non collegarli alla presa di corrente se l'interruttore è in posizione di accensione.
- **Rimuovere eventuali chiavi di serraggio prima di accendere l'utensile elettrico.** Una chiave di serraggio rimasta inserita in un elemento mobile dell'utensile elettrico può provocare infortuni.
- **Non allungarsi eccessivamente. Tenere i piedi a contatto con il pavimento e mantenere sempre l'equilibrio.** Ciò permette di avere un maggiore controllo dell'utensile elettrico in caso di imprevisti.

- **Vestirsi adeguatamente. Non indossare indumenti ampi o gioielli. Tenere i capelli, gli indumenti e le mani lontani dalle parti mobili.** Indumenti ampi, gioielli o capelli lunghi possono rimanere impigliati nelle parti in movimento.
- **Se sono presenti dispositivi di aspirazione e trattamento delle polveri, assicurarsi che siano collegati e usati correttamente.** Tali dispositivi possono ridurre i rischi legati alle polveri.
- **Non lasciare che la familiarità con l'apparecchio (derivata da un uso frequente) abbassi il livello di attenzione.** Anche una minima distrazione può causare gravi infortuni.

USO E MANUTENZIONE DELL'UTENSILE ELETTRICO

- **Non forzare l'utensile elettrico. Utilizzare l'utensile più adatto al lavoro da svolgere.** L'utensile elettrico è più sicuro ed efficace se utilizzato alla velocità per la quale è stato progettato.
- **Non usare l'utensile elettrico se l'interruttore non funziona correttamente.** Un utensile elettrico che non può essere controllato dall'interruttore è pericoloso e deve essere riparato.
- **Riporre gli utensili elettrici fuori dalla portata dei bambini e non permetterne l'uso a persone che non hanno familiarità con l'apparecchio o con queste istruzioni.** Gli utensili elettrici sono pericolosi se utilizzati da persone non competenti.
- **Mantenere gli utensili elettrici e gli accessori in buono stato. Verificare che le parti mobili non siano disallineate o piegate, che i componenti non siano danneggiati e che non siano presenti altri problemi che potrebbero pregiudicare il corretto funzionamento dell'utensile elettrico. Se l'utensile elettrico è danneggiato, farlo riparare prima di utilizzarlo nuovamente.** Molti incidenti sono provocati da utensili elettrici in cattive condizioni.
- **Mantenere gli utensili di taglio puliti e affilati.** Un'adeguata manutenzione degli accessori da taglio con bordi affilati riduce l'adesione del materiale alle lame e facilita il controllo dell'utensile elettrico.
- **Usare l'utensile elettrico, gli accessori, le punte ecc. conformemente a queste istruzioni, tenendo conto delle condizioni dell'area di lavoro e del tipo di lavoro da svolgere.** L'uso dell'utensile elettrico per scopi diversi da quelli per i quali è stato progettato costituisce un pericolo.
- **Tenere le impugnature e le superfici di presa asciutte, pulite e prive di olio o grasso.** Impugnature e superfici di presa scivolose non garantiscono l'uso sicuro e il controllo dell'utensile in situazioni impreviste.
- **Tenere i cavi elettrici lontani dall'area di lavoro.** Durante l'uso dell'apparecchio, i cavi possono essere nascosti e venire danneggiati dall'utensile.

USO E MANUTENZIONE DELLA BATTERIA

- **Ricaricare l'utensile elettrico utilizzando esclusivamente il caricabatteria specificato dal costruttore.** Un caricabatteria adatto a un certo tipo di gruppo batteria può comportare il rischio di incendio se usato con un altro gruppo batteria.
- **Usare esclusivamente gruppi batteria progettati specificamente per questo utensile elettrico.** L'uso di altri gruppi batteria comporta il rischio di incendio e infortunio.
- **Quando il gruppo batteria non è in uso, tenerlo lontano da piccoli oggetti metallici, ad esempio graffette, monete, chiodi, viti ecc. poiché potrebbero creare un collegamento tra i due terminali.** Il cortocircuito dei terminali della batteria comporta il rischio di incendio o ustioni.
- **L'utilizzo improprio dell'utensile elettrico può causare fuoriuscite di liquido dalla batteria: evitare il contatto con tale liquido. In caso di contatto accidentale, lavare con acqua. Se il liquido entra a contatto con gli occhi, contattare un medico.** Il liquido fuoriuscito dalla batteria può causare irritazioni o ustioni.
- **Non usare gruppi batteria o utensili danneggiati o modificati.** Le batterie danneggiate o modificate possono manifestare comportamenti imprevisti, con il rischio di incendio, esplosione o infortunio.
- **Non esporre il gruppo batteria o l'utensile a fiamme o temperature eccessive.** L'esposizione a fiamme o temperature superiori a 100°C comporta il rischio di esplosione.
- **Rispettare tutte le istruzioni relative alla ricarica e non ricaricare il gruppo batteria o l'utensile a temperature diverse da quelle specificate nelle istruzioni.** Una ricarica eseguita in modo improprio o a temperature diverse da quelle specificate può danneggiare la batteria e aumentare il rischio di incendio.

RIPARAZIONI

- **Affidare la riparazione dell'utensile a personale qualificato e utilizzare esclusivamente parti di ricambio identiche.** Ciò garantisce la sicurezza dell'utensile elettrico.
- **Non riparare gruppi batteria danneggiati.** La riparazione dei gruppi batteria deve essere effettuata esclusivamente dal fabbricante o da un centro di assistenza autorizzato.

⚠ AVVERTENZA! Leggere tutte le avvertenze di sicurezza, istruzioni, illustrazioni e specifiche fornite insieme a questo utensile elettrico. Il mancato rispetto delle istruzioni sotto riportate comporta il rischio di scossa elettrica, incendio e/o gravi infortuni. Conservare tutte le avvertenze e le istruzioni per futuro riferimento.

Conservare tutte le avvertenze e le istruzioni per futuro riferimento.

IT FORMAZIONE ALL'USO

- Leggere attentamente le istruzioni. Familiarizzare con tutti i comandi e l'uso corretto della macchina.
- Non consentire l'uso dell'apparecchio a bambini o persone che non hanno letto queste istruzioni. Le normative locali possono limitare l'uso in base all'età dell'operatore.
- Tenere presente che l'operatore o utente è responsabile per incidenti o rischi causati ad altre persone o proprietà.

PREPARAZIONE

- Non azionare mai l'apparecchio se sono presenti persone, soprattutto bambini, o animali nelle vicinanze.
- Indossare sempre dispositivi di protezione per gli occhi e scarpe robuste durante l'uso dell'apparecchio.
- La distanza tra l'apparecchio e le altre persone presenti deve essere almeno 15 metri.
- Non usare l'apparecchio se si è stanchi, malati o sotto l'effetto di alcol, droghe o medicinali.

UTILIZZO

- Usare l'apparecchio solo alla luce del giorno o con una buona illuminazione artificiale.
- Non usare l'apparecchio se la protezione parasassi o altri dispositivi di sicurezza sono danneggiati o mancanti.
- Accendere il motore esclusivamente quando mani e piedi sono lontani dall'accessorio di taglio.
- Scollegare l'apparecchio dalla fonte di alimentazione (ad es. rimuovere il gruppo batteria):
 - prima di lasciare l'apparecchio incustodito;
 - prima di eliminare un'ostruzione;
 - prima di controllare, pulire o eseguire lavori sull'apparecchio;
 - dopo aver urtato un oggetto estraneo;
 - se l'apparecchio comincia a vibrare in modo anormale.
- Fare attenzione a evitare lesioni a mani e piedi dovute all'accessorio di taglio.
- Verificare sempre che le aperture di ventilazione siano prive di detriti.

MANUTENZIONE E CONSERVAZIONE

- Scollegare l'apparecchio dalla fonte di alimentazione (ovvero rimuovere il gruppo batteria) prima di effettuare le operazioni di manutenzione o pulizia.
- Usare esclusivamente accessori e parti di ricambio originali.
- Ispezionare l'apparecchio ed effettuare la manutenzione regolarmente. Affidare la riparazione dell'apparecchio esclusivamente a personale autorizzato.
- Quando l'apparecchio non è in uso, riporlo fuori dalla portata dei bambini.

AVVERTENZE DI SICUREZZA AGGIUNTIVE

- **Evitare gli ambienti pericolosi.** Non usare l'apparecchio in ambienti umidi o bagnati.
- **Mantenere la protezione parasassi dell'apparecchio installata e in buono stato.**
- **Tenere mani e piedi lontani dall'area di taglio.**
- **Per ridurre il rischio di infortunio, non lavorare mai su scale o su altri supporti instabili. Non tenere mai l'unità di taglio sopra l'altezza della vita.**
- **Ispezionare l'unità di taglio a brevi e regolari intervalli durante l'uso o immediatamente dopo aver rilevato un evidente cambiamento nell'efficienza di taglio.**
- **Per i migliori risultati, ricaricare la batteria in locali in cui la temperatura è superiore a 5°C e inferiore a 40°C.** Non conservarla all'aperto o all'interno di veicoli.
- **Se un'altra persona si avvicina, arrestare immediatamente il motore e l'unità di taglio.**
- **Fare attenzione al pericolo di contraccolpo della lama (solo per lame a 3 denti).**
 - Il contraccolpo della lama può verificarsi quando la lama in movimento entra a contatto con un oggetto che non riesce a tagliare immediatamente.
 - Il contraccolpo della lama può essere così violento da spingere l'unità e/o l'operatore in qualsiasi direzione, causando la perdita di controllo dell'unità.
 - Il contraccolpo della lama può verificarsi senza preavviso se la lama si inceppa, si blocca o si piega.
 - Il contraccolpo può verificarsi maggiormente in aree in cui è difficile vedere il materiale da tagliare.
- **Non fissare alcuna lama all'unità senza aver installato correttamente tutti i componenti necessari. Il mancato utilizzo dei componenti corretti può causare il distaccamento della lama, con il conseguente rischio di lesioni per l'operatore e/o le persone presenti. Gettare lame piegate, deformate, incrinata, rotte o danneggiate in qualsiasi modo. Usare una lama affilata. Una lama smussata ha più probabilità di incepparsi e causare contraccolpi (solo per lame a 3 denti).**

- **La lama/il filo di taglio può causare lesioni anche dopo l'arresto del motore o il rilascio dell'interruttore a grilletto perché continua a ruotare. Mantenere il controllo dell'apparecchio finché la lama/il filo di taglio non si ferma completamente.**
- Usare esclusivamente con i gruppi batteria e i caricabatteria elencati in fig. A.
- **Gli apparecchi a batteria non hanno bisogno di essere collegati a un impianto elettrico; pertanto sono sempre in condizioni operative.** Tenere a mente i possibili rischi anche quando l'apparecchio non è in funzione. Prestare attenzione durante le operazioni di manutenzione o riparazione.
- **Non pulire l'apparecchio con tubi per innaffiare; evitare le infiltrazioni d'acqua nel motore e nelle connessioni elettriche.**
- **In caso di situazioni non contemplate in questo manuale, agire con cautela e usare il buon senso. Contattare il centro di assistenza EGO per assistenza.**

CONSERVARE QUESTE ISTRUZIONI!

SPECIFICHE TECNICHE

Voltaggio	56 V ---
Giri a vuoto	4000-5800/min
Meccanismo di taglio	Testa di taglio
Tipo di filo di taglio	Filo in nylon attorcigliato 2,4mm
Ampiezza di taglio	38 cm
Temperatura di esercizio raccomandata	0°C-40°C
Temperatura di conservazione raccomandata	-20°C-70°C
Peso (senza gruppo batteria)	3,2 kg
Livello di potenza sonora misurato L_{WA}	92,6 dB(A) K=0,8 dB(A)
Livello di pressione sonora all'orecchio dell'operatore L_{PA}	72,6 dB(A) K=2,5 dB(A)
Livello di potenza sonora garantito L_{WA} (conforme a 2000/14/CE)	93 dB(A)

Vibrazioni a_h	Impugnatura ausiliaria anteriore	3,5 m/s ² K=1,5 m/s ²
	Impugnatura posteriore	2,1 m/s ² K=1,5 m/s ²

- Il valore totale di vibrazioni indicato è stato misurato tramite il metodo di collaudo standard e può essere utilizzato per confrontare l'apparecchio con altri prodotti analoghi.
- Il valore totale di vibrazioni indicato può essere utilizzato anche per una valutazione preliminare dei livelli di esposizione.

NOTA: L'emissione di vibrazioni durante l'uso effettivo dell'apparecchio può variare rispetto al valore indicato in base a come viene utilizzato l'utensile. Per proteggersi, l'operatore deve indossare guanti e dispositivi di protezione per le orecchie in base alle reali condizioni d'uso.

CONTENUTO DELLA CONFEZIONE

NOME COMPONENTE	QUANTITÀ
Decespugliatore	1
Protezione parasassi	1
Gruppo impugnatura anteriore ausiliaria	1
Tracolla	1
Chiave esagonale	1
Manuale di istruzioni	1
Filo di taglio	1

DESCRIZIONE

DESCRIZIONE DEL DECESPUGLIATORE (Fig. A)

1. Impugnatura posteriore
2. Interruttore a grilletto
3. Tasto di blocco-spegnimento
4. Impugnatura anteriore ausiliaria regolabile
5. Tracolla
6. Asta
7. Protezione parasassi
8. Pulsante di sgancio batteria
9. Dispositivo di chiusura
10. Contatti elettrici
11. Meccanismo di espulsione
12. Testa decespugliatore (testa di taglio)
13. Pulsante caricamento filo
14. Filo di taglio

- 15. Linguetta di rilascio
- 16. Filo-lama di taglio
- 17 Chiave esagonale

ASSEMBLAGGIO

⚠ AVVERTENZA! In caso di componenti danneggiati o mancanti, non usare l'apparecchio finché i componenti non vengono sostituiti. L'uso dell'apparecchio con componenti danneggiati o mancanti comporta il rischio di lesioni gravi.

⚠ AVVERTENZA! Non tentare di modificare l'apparecchio o creare accessori non raccomandati per l'uso con questo decespugliatore. Tali alterazioni o modifiche costituiscono un uso improprio e comportano condizioni pericolose e il rischio di lesioni gravi.

⚠ AVVERTENZA! Per evitare l'avvio accidentale e il conseguente rischio di lesioni gravi, rimuovere sempre il gruppo batteria dall'apparecchio durante l'assemblaggio dei componenti.

ASSEMBLARE LA PROTEZIONE PARASASSI

⚠ AVVERTENZA! Indossare sempre i guanti durante l'installazione o la sostituzione della protezione parasassi. Fare attenzione alla lama sulla protezione parasassi e proteggere le mani dal rischio di lesioni.

⚠ AVVERTENZA! Non usare l'apparecchio se la protezione parasassi non è posizionata correttamente e saldamente. La protezione parasassi deve essere sempre installata per proteggere l'operatore! Dopo aver fissato la protezione parasassi, non tentare mai di rimuoverla o regolarla. Se è necessario sostituirla, affidare l'operazione a un tecnico qualificato!

Allineare i due bulloni, che sono pre-assemblati sulla protezione parasassi, con i due fori appositi sull'albero (Fig. B), e poi stringerli con la chiave esagonale in dotazione (Fig. C).

Accertarsi che la cuffia sia fissata come illustrato in Fig. B e C; un fissaggio invertito comporta gravi rischi!

INSTALLAZIONE E REGOLAZIONE DELL'IMPUGNATURA ANTERIORE AUSILIARIA

Spingere l'impugnatura anteriore ausiliaria sull'albero (Fig. E), quindi inserire il morsetto di blocco sulla scanalatura dell'impugnatura (Fig. F), installare l'asta di bloccaggio e il fermo, quindi bloccarli con il dado a farfalla (Fig. G). La sequenza è illustrata in Fig. D. Infine, regolare la posizione dell'impugnatura ausiliaria anteriore tra il rivestimento morbido e l'etichetta in modo che il proprio braccio

anteriore sia dritto durante l'uso del decespugliatore (Fig. H), quindi bloccare la leva dell'asta di bloccaggio (Fig. I).

Descrizione dei componenti nelle Fig. D e H, vedere di seguito:

D-1	Impugnatura ausiliaria anteriore	D-4	Dado a farfalla
D-2	Perno di bloccaggio	H-1	Rivestimento morbido
D-3	Morsetto	H-2	Etichetta di avvertenza

NOTA: L'impugnatura anteriore ausiliaria deve essere ruotata verso l'alto affinché sia rivolta verso la parte superiore dell'impugnatura posteriore.

⚠ AVVERTENZA! Fissare l'impugnatura anteriore ausiliaria solo in posizione tra il rivestimento morbido e l'etichetta sull'albero.

⚠ AVVERTENZA! L'apparecchio non può essere usato senza l'impugnatura anteriore ausiliaria fissata saldamente.

INSTALLAZIONE DELLA TRACOLLA

1. Allentare e rimuovere il bullone sul gancio della tracolla (Fig. J1 e J2).
2. Fissare il gancio sull'asta come illustrato in Fig. J3 e bloccarlo con il bullone (Fig. J4).

⚠ AVVERTENZA: Fissare il gancio della cinghia esclusivamente tra l'alloggiamento e il rivestimento morbido sull'albero.

FUNZIONAMENTO

⚠ AVVERTENZA! La familiarità con questo apparecchio non deve rendere l'operatore disattento. Anche un solo momento di disattenzione comporta il rischio di lesioni gravi.

⚠ AVVERTENZA! **AVVERTENZA:** Indossare sempre occhiali di sicurezza o occhiali di sicurezza con protezione laterale, insieme a protezione per l'udito. Il mancato rispetto di questa istruzione comporta il rischio che vengano proiettati oggetti verso gli occhi dell'operatore e altri possibili infortuni gravi.

⚠ AVVERTENZA! Non usare accessori non raccomandati dal costruttore dell'apparecchio. L'uso di accessori non raccomandati comporta il rischio di lesioni gravi.

⚠ AVVERTENZA! Per evitare lesioni gravi, rimuovere il gruppo batteria dall'apparecchio prima di pulirlo o ripararlo e prima di sostituire gli accessori o rimuovere del materiale dall'apparecchio.

Questo prodotto può essere usato per gli scopi elencati di seguito:

Rifinitura: per rimuovere erba e erbacce contro muri, steccati, alberi e bordi.

Taglio: per tagliare erba difficile da raggiungere con un normale tosaerba.

NOTA: Usare l'apparecchio esclusivamente per gli scopi previsti. Altri utilizzi, ad esempio come bordatore, sono da considerarsi uso improprio.

INSTALLARE/RIMUOVERE IL GRUPPO BATTERIA

NOTA: Per un migliore bilanciamento, quando si utilizzano batterie BA3360/BA4200/BA4200T/BA5600T, si prega di usarle con l'imbracatura zaino (BH1000).

Ricaricare completamente prima del primo utilizzo

Installazione

Allineare i rilievi sul gruppo batteria con le scanalature di montaggio e premere il gruppo batteria verso il basso finché non si sente un "clic" (Fig. K2).

Rimozione

Premere il pulsante di rilascio della batteria ed estrarre il gruppo batteria come illustrato in Fig. L.

Descrizione delle parti nelle Fig. K1 e K2:

K-1	Pacco batterie BA3360/BA4200 /BA4200T/BA5600T	K-4	Aggancio
K-2	Adattatore	K-5	Scanalatura montaggio batteria
K-3	Imbracatura zaino		

COME TENERE IL DECESPUGLIATORE

⚠ AVVERTENZA! Vestirsi adeguatamente per ridurre il rischio di infortunio durante l'uso dell'apparecchio. Non indossare indumenti ampi o gioielli. Indossare dispositivi di protezione per gli occhi/orecchie. Indossare pantaloni lunghi e pesanti, stivali e guanti. Non indossare pantaloni corti o sandali e non usare l'apparecchio a piedi nudi.

Prima di avviarlo, afferrare il decespugliatore con

entrambe le mani: una mano sull'impugnatura posteriore e l'altra sull'impugnatura anteriore ausiliaria, che deve essere dritta (Fig. M). Assumere quindi una posizione saldamente in equilibrio e osservare una corretta distanza di taglio.

NOTA: La testa del decespugliatore deve essere parallela al terreno, a una corretta distanza di taglio, senza che l'operatore debba piegarsi in avanti.

AVVIARE/ARRESTARE IL DECESPUGLIATORE

Avvio

Tenere premuto il pulsante di sbloccaggio, quindi premere l'interruttore a grilletto. La velocità di rotazione del filo di taglio è proporzionale alla pressione esercitata sull'interruttore a grilletto. Maggiore la pressione, maggiore la velocità.

Arresto

Rilasciare il pulsante di sbloccaggio e l'interruttore a grilletto.

NOTA: Il motore gira solo quando il pulsante di sbloccaggio e l'interruttore a grilletto sono premuti contemporaneamente.

⚠ AVVERTENZA! Rimuovere sempre il gruppo batteria dal decespugliatore durante le pause e al termine del lavoro.

COME USARE IL DECESPUGLIATORE

⚠ AVVERTENZA! Per evitare lesioni gravi, indossare sempre occhiali di protezione o di sicurezza durante tutto l'uso dell'apparecchio. Indossare una maschera facciale o antipolvere in ambienti polverosi.

Sgombrare l'area da tagliare prima di ogni utilizzo. Rimuovere oggetti come pietre, vetri rotti, chiodi, cavi o corde perché potrebbero venire lanciati o impigliarsi nell'accessorio di taglio. Tenere lontani dall'area di lavoro bambini, altre persone e animali. Tenere eventuali bambini, altre persone e animali ad almeno 15m di distanza; permane tuttavia il rischio di lesioni alle altre persone dovute al lancio di oggetti. Si raccomanda di far indossare dei dispositivi di protezione per gli occhi a eventuali persone presenti. Se un'altra persona si avvicina, arrestare immediatamente il motore e l'accessorio di taglio.

Prima di ogni utilizzo, verificare l'assenza di componenti danneggiati/usurati

Ispezionare la testa di taglio, la protezione parasassi e l'impugnatura anteriore ausiliaria e sostituire i componenti incrinati, deformati, piegati o danneggiati in qualsiasi modo.

La lama del filo di taglio sul bordo della Protezione parasassi può smussarsi col tempo. Si consiglia di affilarla periodicamente con una lima o di sostituirla con una lama nuova.

AVVERTENZA: Indossare sempre i guanti durante l'installazione della protezione parasassi o durante interventi sulla lama. Fare attenzione alla lama sulla protezione parasassi e proteggere le mani dal rischio di lesioni.

Pulire il decespugliatore dopo ogni utilizzo.

ATTENZIONE! L'ostruzione delle aperture di ventilazione impedirà il flusso d'aria all'interno del vano motore, causando il surriscaldamento o il danneggiamento del motore.

Usare esclusivamente sapone neutro e un panno umido per pulire l'apparecchio. Evitare la penetrazione di liquidi all'interno dell'apparecchio. Non immergere mai alcuna parte dell'apparecchio in liquidi.

- Mantenere le aperture di ventilazione sul vano motore e sull'albero costantemente prive di detriti.

AVVERTENZA: Non usare mai acqua per pulire l'apparecchio. Evitare l'uso di solventi durante la pulizia delle parti in plastica. La maggior parte dei materiali plastici può essere danneggiata da diversi tipi di solventi in commercio. Usare un panno pulito per rimuovere sporcizia, polvere, olio, grasso, ecc.

SUGGERIMENTI PER UN TAGLIO OTTIMALE (FIG. N)

- L'accessorio di taglio deve essere parallelo rispetto al terreno.
- Non forzare il decespugliatore. Lasciare che la sola punta del filo effettui il taglio (in particolare lungo i muri). Un taglio realizzato con una porzione maggiore della lama ridurrà l'efficienza di taglio e può sovraccaricare il motore.
- L'altezza di taglio è determinata dalla distanza del filo di taglio dalla superficie erbosa.
- Erba più alta di 20cm deve essere tagliata lavorando dall'alto verso il basso a piccoli incrementi per evitare l'usura prematura del filo o il sovraccarico del motore.
- Spostare lentamente il decespugliatore dentro e fuori dall'area di taglio, mantenendo la posizione della testa di taglio all'altezza di taglio desiderata. Ciò può essere effettuato con movimenti in direzione avanti-indietro o laterali. Tagliare lunghezze inferiori produce i migliori risultati.
- Tagliare esclusivamente quando l'erba e l'erbaia sono asciutte.

- Cavi e staccionate possono accelerare l'usura del filo o causarne la rottura. Pietre o mattoni, marciapiedi e legno possono causare la rapida usura del filo.
- Evitare alberi e cespugli. Cortecce d'albero, modanature, rivestimenti sporgenti e staccionate possono essere danneggiati facilmente dal filo.

Descrizione delle parti in Fig. N:

N-1	Area di taglio ottimale	N-2	Area di taglio pericolosa
-----	-------------------------	-----	---------------------------

REGOLARE LA LUNGHEZZA DEL FILO DI TAGLIO

La testa di taglio permette all'operatore di allungare il filo di taglio senza arrestare il motore. Quando il filo diventa sfilacciato o usurato, allungarlo premendo leggermente il pulsante di rilascio del filo sul terreno mentre il decespugliatore è in funzione (Fig. O).

NOTA: allungare il filo diventa più difficile mano a mano che il filo di taglio si accorcia.

AVVERTENZA: Non rimuovere o alterare la lama del filo di taglio. Una lunghezza eccessiva del filo causerà il surriscaldamento del motore e il conseguente rischio di lesioni gravi.

SOSTITUZIONE DEL FILO

NOTA: Utilizzare esclusivamente il filo di taglio in nylon raccomandato con diametro non superiore a 2,4 mm. L'uso di fili diversi da quello specificato comporta il rischio di surriscaldamento o danneggiamento del decespugliatore.

AVVERTENZA: Non usare mai cavi, fili rinforzati in metallo o corde, ecc. perché possono rompersi e diventare proiettili pericolosi.

Il decespugliatore è dotato di un sistema avanzato di auto-avvolgimento filo. Il filo di taglio può essere avvolto sulla bobina semplicemente premendo un solo pulsante. Il caricamento di una bobina completa può essere effettuato di solito in 12 secondi. Evitare l'azionamento ripetuto del sistema di avvolgimento in rapida successione per ridurre la possibilità di danni al motore.

1. Rimuovere il gruppo batteria.
2. Rimuovere il filo di taglio rimanente, se necessario. Estrarlo a mano.
3. Tagliare un pezzo del filo di taglio (4 m). Inserire il filo nell'occhiello (fig. P) e spingerlo finché l'estremità del filo esce dall'occhiello opposto.

Descrizione delle parti in Fig. P:

P-1	Filo di taglio	P-3	Occhiello
P-2	Copertura inferiore		

4. Rimuovere la batteria se è stata montata sul decespugliatore in un passo precedente.
5. Tirare il filo dall'altro lato finché non fuoriescono da entrambi i lati della testa di taglio lunghezze filo uguali (Fig. Q).
6. Installare il gruppo batteria sul decespugliatore. Premere e tenere premuto il tasto di caricamento filo per avviare il motore di avvolgimento filo. Il filo sarà avvolto senza interruzioni sulla testa di taglio (Fig. R).
7. Controllare con attenzione la lunghezza del filo rimanente. Prepararsi a rilasciare il pulsante non appena su ciascun lato rimangono circa 18 centimetri di filo. Premere brevemente il pulsante di carico filo finché il filo non sporge di 14 cm su ogni lato.
8. Spingere verso il basso la testa di taglio e contemporaneamente tirare i fili manualmente per estrarli e controllare il corretto assemblaggio del filo di taglio.

NOTA: Nel caso in cui il filo venga tirato accidentalmente nella testa di taglio, aprire la testa e tirare il filo di taglio fuori dalla bobina. Seguire la sezione "RICARICAMENTO DEL FILO DI TAGLIO" in questo manuale per ricaricare il filo.

RICARICAMENTO DEL FILO DI TAGLIO

Se il filo di taglio si rompe a livello dell'uscita del filo o se il filo di taglio non viene rilasciato alla pressione della testa di taglio, seguire i passaggi descritti di seguito per togliere il filo di taglio rimanente e ricaricarlo.

1. Premere le due linguette di rilascio sulla testa di taglio e rimuovere la testa di taglio tirandola fuori in linea retta (Fig. S-1 & S-2).
2. Rimuovere il filo di taglio dalla testa e inserire la molla nella fessura sul coperchio inferiore (Fig. T).
3. Con una mano sul decespugliatore, utilizzare l'altra mano per afferrare il gruppo coperchio inferiore e allineare le fessure nel gruppo del coperchio inferiore con le linguette di rilascio. Premere il gruppo coperchio inferiore finché non scatta in posizione, momento in cui si sente un chiaro suono di clic (Fig. U).
4. Seguire le istruzioni alla sezione "SOSTITUZIONE DEL FILO" per ricaricare il filo di taglio.

Descrizione delle parti nelle Figg. S1 & T & U:

S1-1	Gruppo coperchio inferiore	U-1	Linguetta di rilascio
S1-2	Linguetta di rilascio	U-2	Fessura
T-1	Molla		

SOSTITUZIONE TESTA DI TAGLIO

⚠ AVVERTENZA: Se la testa di taglio si allenta dopo averla fissata, sostituirla immediatamente. Non usare mai il decespugliatore se l'accessorio di taglio è allentato. Sostituire immediatamente la testa di taglio se è incrinata, danneggiata o usurata, anche se il danno è limitato a incrinature superficiali. Ad alta velocità, gli accessori di taglio possono frantumarsi e causare lesioni gravi.

Togliere la testa di taglio

1. Rimuovere il gruppo batteria dal decespugliatore.
2. Premere le linguette di rilascio sulla testa di taglio e rimuovere il gruppo coperchio inferiore della testa di taglio estraendolo in linea retta (vedere Fig. S1 e S2).
3. Rimuovere il filo di taglio dalla testa (Fig. V).
4. Estrarre la molla dal gruppo bobina, se necessario. Conservarla per il rimontaggio.
5. Indossare i guanti. Usare una mano per afferrare il gruppo bobina per stabilizzarlo e utilizzare l'altra mano per tenere una chiave a percussione per allentare il dado in senso antiorario (Fig. W).
6. Rimuovere il dado, la rondella, il gruppo bobina e il coperchio superiore dall'albero motore (Fig. X).
7. Utilizzare delle pinze per anelli elastici per rimuovere l'anello di sicurezza. Rimuovere il gruppo ventola (Fig. Y).
8. Sostituire con una nuova testa di taglio e montarla con i seguenti passaggi.

Descrizione delle parti in Fig. W e X e Y:

W-1	Chiave a percussione	X-4	Dado
X-1	Copertura superiore	Y-1	Gruppo ventola
X-2	Gruppo bobin	Y-2	Anello elastico
X-3	Rondella		

Installazione della nuova testa di taglio

1. Allineare la fessura chiave nel gruppo della ventola con la scanalatura dell'albero motore e montare il gruppo ventola in posizione (Fig. Z).
2. Montare l'anello elastico, il coperchio superiore, il gruppo bobina e la rondella in quest'ordine. Utilizzare una chiave a percussione sul dado per stringerlo.
3. Seguire le istruzioni nella sezione "RICARICAMENTO DEL FILO DI TAGLIO" in questo manuale per montare il gruppo coperchio inferiore.

4. Seguire le istruzioni nella sezione “**SOSTITUZIONE DEL FILO**” in questo manuale per ricaricare il filo di taglio.
5. Avviare lo strumento per vedere se il decespugliatore funziona normalmente. In caso contrario, riassemblare come descritto precedentemente.

Descrizione delle parti in Fig. Z:

Z-1	Scanalatura	Z-2	Fessura chiave
-----	-------------	-----	----------------

IT

MANUTENZIONE

AVVERTENZA: Per la riparazione dell'apparecchio, usare esclusivamente parti di ricambio identiche. Ispezionare l'apparecchio ed effettuare la manutenzione regolarmente. Per garantire sicurezza e affidabilità, tutte le riparazioni e sostituzioni devono essere eseguite da un tecnico qualificato.

AVVERTENZA: Gli apparecchi a batteria non hanno bisogno di essere collegati a un impianto elettrico; pertanto sono sempre in condizioni operative. Per evitare lesioni gravi, prestare particolare attenzione durante le operazioni di manutenzione o riparazione e la sostituzione dell'accessorio di taglio o di altri accessori.

AVVERTENZA: Per evitare lesioni gravi, rimuovere il gruppo batteria dall'apparecchio prima di pulirlo o ripararlo e prima di sostituire gli accessori o rimuovere del materiale dall'apparecchio.

PULIZIA DELL'APPARECCHIO

- Pulire l'apparecchio usando un panno inumidito con del detergente neutro.
- Non usare detersivi aggressivi sulle superfici esterne in plastica o sull'impugnatura perché possono essere danneggiate da alcuni oli aromatici, come pino e limone, e da solventi come il cherosene. L'umidità comporta il rischio di scossa elettrica. Rimuovere eventuali segni di umidità con un panno asciutto e morbido.
- Usare una piccola spazzola o un piccolo aspirapolvere per pulire le aperture di ventilazione sul vano motore.

AFFILARE LA LAMA DI TAGLIO

AVVERTENZA: Proteggere sempre le mani indossando guanti robusti durante qualsiasi operazione di manutenzione sulla lama di taglio.

1. Rimuovere la lama linea di taglio dalla protezione.
2. Indossare adeguate protezioni per gli occhi e guanti e fare attenzione a non tagliarsi.
3. Bloccare la lama in una morsa.
4. Affilare con attenzione i bordi di taglio della lama con una lima a denti fini o una mola, mantenendo l'angolo di taglio originale.
5. Sostituire la lama nella protezione e fissarla in posizione con le due viti.

CONSERVAZIONE DELL'APPARECCHIO

- Rimuovere il gruppo batteria dal decespugliatore quando non è in uso.
- Pulire accuratamente l'apparecchio prima di riporlo.
- Conservare l'apparecchio in un luogo asciutto, ben ventilato, elevato o chiuso a chiave, e fuori dalla portata dei bambini. Non conservare l'apparecchio sopra o in prossimità di fertilizzanti, benzina o altre sostanze chimiche.

Protezione dell'ambiente



Non smaltire gli apparecchi elettrici, caricabatteria e batterie/batterie ricaricabili insieme ai rifiuti indifferenziati!

Conformemente alle direttive europee 2012/19/EU e 2006/66/CE, i rifiuti di apparecchiature elettriche ed elettroniche, pile e accumulatori devono essere raccolti separatamente e smaltiti nel rispetto dell'ambiente.

Se gli apparecchi elettrici vengono smaltiti nelle discariche, le sostanze pericolose possono infiltrarsi nelle falde acquifere e contaminare la catena alimentare, con effetti dannosi sulla salute e il benessere.

RISOLUZIONE DEI PROBLEMI

PROBLEMA	CAUSA	SOLUZIONE
Il decespugliatore non si avvia.	<ul style="list-style-type: none"> ■ Il gruppo batteria non è installato sul decespugliatore . ■ Il contatto elettrico tra il decespugliatore e la batteria è mancante. ■ Il gruppo batteria è scarico. ■ Il pulsante di sbloccaggio e l'interruttore a grilletto non sono stati premuti contemporaneamente. 	<ul style="list-style-type: none"> ■ Installare il gruppo batteria sul decespugliatore. ■ Rimuovere la batteria, ispezionare i contatti e reinstallare il gruppo batteria. ■ Ricaricare il gruppo batteria. ■ Per avviare il decespugliatore, tenere premuto il pulsante di sbloccaggio e poi premere l'interruttore a grilletto.
La lama non taglia il filo.	<ul style="list-style-type: none"> ■ La protezione parasassi non è installata sul decespugliatore, causando l'eccessiva lunghezza del filo di taglio e il sovraccarico del motore. ■ È in uso un filo di taglio troppo spesso. ■ L'albero di comando o la testa di taglio sono bloccati dall'erba. ■ Il motore è sovraccarico. ■ Il gruppo batteria o il decespugliatore sono troppo caldi. ■ Il gruppo batteria non è installato sul decespugliatore. ■ Il gruppo batteria è scarico. 	<ul style="list-style-type: none"> ■ Rimuovere il gruppo batteria e installare la protezione parasassi sul decespugliatore. ■ Utilizzare filo di taglio in nylon raccomandato con diametro non superiore a 2,4 mm. ■ Arrestare il decespugliatore, rimuovere la batteria e rimuovere l'erba dall'albero di comando e dalla testa di taglio. ■ Rimuovere la testa di taglio dall'erba. Il motore si riavvierà alla rimozione del carico. Durante il taglio, spostare la testa di taglio dentro e fuori dall'erba da tagliare e rimuovere non più di 20 cm di lunghezza a ogni passata. ■ Attendere che la temperatura del gruppo batteria e del decespugliatore scenda al di sotto di 67°C. ■ Reinstallare il gruppo batteria. ■ Ricaricare il gruppo batteria.

PROBLEM	CAUSA	SOLUZIONE
Trimmer head will not advance line	<ul style="list-style-type: none"> ■ L'albero di comando o la testa di taglio sono bloccati dall'erba. ■ Il fermo della bobina non contiene abbastanza filo. ■ La testa di taglio è sporca. ■ Il filo è impigliato nel fermo della bobina. ■ Il filo è troppo corto. 	<ul style="list-style-type: none"> ■ Arrestare il decespugliatore, rimuovere la batteria e rimuovere l'erba dall'albero di comando e dalla testa di taglio. ■ Rimuovere la batteria e sostituire il filo di taglio. Seguire le istruzioni alla sezione SOSTITUZIONE DEL FILO in questo manuale. ■ Rimuovere la batteria e pulire il fermo e la base della bobina. ■ Rimuovere la batteria, rimuovere il filo dal fermo della bobina e riavvolgerlo. Seguire le istruzioni alla sezione "SOSTITUZIONE DEL FILO" in questo manuale. ■ Rimuovere la batteria, quindi tirare il filo e nel contempo premere e rilasciare alternativamente la testa di taglio.
Grass wraps around trimmer head and motor housing	<ul style="list-style-type: none"> ■ Tagliare l'erba a livello del terreno. 	<ul style="list-style-type: none"> ■ Tagliare l'erba dall'alto verso il basso, rimuovendo non più di 20 cm a ogni passata per evitare il problema.
The blade is not cutting the line.	<ul style="list-style-type: none"> ■ La lama del filo di taglio sul bordo della protezione parasassi è smussata. 	<ul style="list-style-type: none"> ■ Affilarle la lama del filo di taglio con una lima o sostituirla con una lama nuova.
Cracks on the trimmer head or the spool retainer comes loose with spool base.	<ul style="list-style-type: none"> ■ La testa di taglio è usurata. 	<ul style="list-style-type: none"> ■ Sostituire immediatamente la testa di taglio, affidando l'operazione a un tecnico qualificato.
During line replacement, the line can't be loaded into the trimmer head properly.	<ul style="list-style-type: none"> ■ Le linee LOAD sul fermo della bobina non sono allineate con gli occhielli nella base della bobina. ■ Il filo di taglio non è inserito correttamente nel foro di montaggio nell'occhiello. 	<ul style="list-style-type: none"> ■ Ruotare il fermo della bobina in direzione della freccia, se necessario, per allineare le linee LOAD sul fermo della bobina con gli occhielli nella base della bobina. ■ Allineare le linee LOAD con gli occhielli, quindi inserire il filo nei fori di montaggio all'interno dell'occhiello.

GARANZIA

CONDIZIONI DELLA GARANZIA EGO

Visitare il sito web egopowerplus.com per consultare le condizioni complete della garanzia EGO.

LEES ALLE INSTRUCTIES!



LEES DE GEBRUIKSAANWIJZING

⚠ Restrisico! Personen met elektronische apparaten, zoals pacemakers, moeten eerst hun art(sen) raadplegen voordat ze dit product mogen gebruiken. De werking van een elektrisch apparaat in de nabijheid van een pacemaker kan een storing of defect aan de pacemaker veroorzaken.

⚠ WAARSCHUWING: Om een continue veiligheid en betrouwbaarheid te waarborgen, dienen alle reparaties en vervangingen van onderdelen uitgevoerd te worden door een vakbekwame reparateur.

VEILIGHEIDSSYMBOLEN

Het doel van de veiligheidssymbolen is om u te wijzen op mogelijke gevaren. Besteed daarom voldoende aandacht hieraan en begrijp de veiligheidssymbolen en bijbehorende uitleg. De symboolwaarschuwingen op zich elimineren geen enkel gevaar. De gegeven instructies en waarschuwingen gelden niet als vervanging voor gepaste voorzorgsmaatregelen tegen ongevallen.

⚠ WAARSCHUWING: Lees en begrijp alle veiligheidsinstructies die in deze gebruikershandleiding zijn vermeld, waaronder alle veiligheidssymbolen zoals “GEVAAR”, “WAARSCHUWING”, en “OPGELET” voordat u dit apparaat in gebruik neemt. Het negeren van onderstaande instructies kan leiden tot elektrische schokken, brand en/of ernstig persoonlijk letsel.

BETEKENIS VAN DE SYMBOLEN

⚠ WAARSCHUWINGSSYMBOL: Geeft GEVAAR, WAARSCHUWING of OPGELET aan. Kan worden gebruikt in combinatie met andere symbolen of pictogrammen.

VEILIGHEIDSSYMBOLEN

Deze pagina toont en beschrijft alle veiligheidssymbolen die zich op dit product kunnen bevinden. Lees, begrijp en volg alle instructies op de machine voordat u deze in elkaar zet en gebruikt.

	Veiligheidsvoorschriften	Geeft een risico op persoonlijk letsel aan.
	Lees de gebruikshandleiding	De gebruiker dient de gebruiksaanwijzing voor het gebruik van dit product te lezen en te begrijpen om risico op letsel te beperken.
	Draag oogbescherming	Draag altijd een veiligheidsbril met zijschermen en een gelaatscherm als u dit product gebruikt.
	Draag oorbescherming	Draag altijd gehoorbescherming (oordopjes of geluiddempers) om uw gehoor te beschermen.
	Draag hoofdbescherming	Draag een goedgekeurde veiligheidshelm om uw hoofd te beschermen.
	Maaibreedte	De max. maaibreedte van de grastrimmer
	Diameter draad	De diameter van de nylon snijdraad
	Draag veiligheidshandschoenen	Bescherm uw handen met handschoenen bij de omgang met het mes of mesbeschermer. Robuuste, niet glijdende handschoenen verbeteren uw grip en beschermen uw handen.
	Draag veiligheidsschoenen	Draag slipvrije veiligheidsschoenen als u dit apparaat gebruikt.
	Houd rekening met de druk van het mes	Waarschuw de gebruiker voor gevaar door de druk van het mes.

NL

NL

	Afketsen en houd omstanders uit de buurt	Rondvliegende voorwerpen kunnen terugkaatsen wat tot persoonlijk letsel en materiële schade kan leiden. Zorg dat andere personen en huisdieren uit de buurt blijven van de bosmaaier wanneer deze in gebruik is.
	Houd omstanders uit de buurt	Zorg ervoor dat andere personen en huisdieren zich op minstens 15m afstand van de grastrimmer bevinden wanneer deze in gebruik is.
	Geen rond mes	Installeer geen ronde messen.
	Niet aan regen blootstellen	Niet in de regen gebruiken en niet buiten achterlaten als het regent.
	CE	Dit product is in overeenstemming met de EG-richtlijnen.
	WEEE	Gooi elektrisch afval niet via het huishoudelijk afval weg. Breng het naar een geautoriseerd recyclingbedrijf.
	Geluidniveau	Gewaarborgd geluidsvermogens-niveau. Geluidsemissie voor de omgeving in overeenstemming met de richtlijnen van de Europese Unie.
V	Volt	Spanning
	Gelijkstroom	Stroomtype of-karakteristiek
n_0	Snelheid zonder belasting	Draaisnelheid, zonder belasting
min ⁻¹	Per minuut	Toeren per minuut

ALGEMENE VEILIGHEIDSWAARSCHUWINGEN VOOR ELEKTRISCH GEREEDSCHAP

⚠ WAARSCHUWING: Lees alle veiligheidswaarschuwingen, instructies, illustraties en specificaties die met het elektrisch gereedschap zijn meegeleverd. Het niet opvolgen van de waarschuwingen en instructies kan leiden tot elektrische schokken, brand en/of ernstig letsel. **Bewaar alle waarschuwingen en instructies voor toekomstig gebruik.**

De term "elektrisch gereedschap" in de waarschuwingen verwijst naar uw op het voedingsnet aangedreven (met snoer) handgereedschap of batterij aangedreven (snoerloos) handgereedschap.

VEILIGHEID OP DE WERKPLAATS

- Houd uw werkplaats schoon en goed verlicht. Rommelige of donkere ruimten kunnen ongevallen veroorzaken.
- Gebruik geen elektrisch gereedschap in explosieve ruimten, bijvoorbeeld in de aanwezigheid van ontvlambare vloeistoffen, gassen of stof. Elektrisch gereedschap creëert vonken, deze kunnen stof of dampen in brand steken.
- Houd kinderen en omstanders uit de buurt wanneer u elektrisch gereedschap bedient. Aflleiding kan leiden tot controleverlies.

PERSOONLIJKE VEILIGHEID

- **Wees waakzaam, let op wat u doet en gebruik uw gezond verstand wanneer u elektrisch gereedschap gebruikt. Gebruik het elektrisch gereedschap niet als u moe bent of onder de invloed bent van drugs, alcohol of medicijnen.** Een moment van onoplettendheid tijdens het gebruik van elektrische gereedschappen kan leiden tot ernstig persoonlijk letsel.
- **Draag persoonlijke beschermingsuitrusting. Draag altijd oogbescherming.** Beschermingsmiddelen zoals een stofmasker, slipvaste werkschoenen, veiligheidshelm of gehoorbescherming afhankelijk van de aard en het gebruik van het gereedschap verkleint het risico op persoonlijk letsel.
- **Vermijd dat het gereedschap per ongeluk wordt gestart. Zorg dat de schakelaar op de stand 'Uit' is ingesteld voordat u het gereedschap op een stroombron en/of accu aansluit, vastneemt of draagt.** Het dragen van elektrisch gereedschap met uw vinger op de schakelaar of gereedschap ingeschakeld op de stroomvoorziening aansluiten kan ongevallen veroorzaken.

- **Verwijder instelsleutels of moersleutels voordat u het elektrisch gereedschap inschakelt.** Een instelsleutel of moersleutel in een draaiend deel van het elektrisch gereedschap achterlaten kan leiden tot persoonlijk letsel.
- **Reik niet te ver. Zorg er altijd voor dat u stevig en stabiel staat.** Dit zorgt ervoor dat u het elektrisch gereedschap in onverwachte situaties beter onder controle kunt houden.
- **Draag passende kleding. Draag geen los hangende kleding of sieraden. Houd uw haar, kleding en handschoenen uit de buurt van bewegende onderdelen.** Los hangende kleding, sieraden en lang haar kunnen in bewegende onderdelen verstrikt raken.
- **Wanneer de montage van stofafzuigings- of stofopvangvoorzieningen mogelijk is, dient u ervoor te zorgen dat deze juist aangesloten en gebruikt worden.** Het gebruik van voorzieningen voor stofopvang kan helpen om het risico in verband met stof te verlagen.
- **Word niet zelfingenomen door de ervaring die u heeft opgedaan door frequent gebruik, waardoor u dan de veiligheidswaarschuwingen negeert.** Een achteloze actie kan binnen een fractie van een seconde ernstig letsel veroorzaken.

ELEKTRISCH GEREEDSCHAP GEBRUIKEN EN ONDERHOUDEN

- **Overbelast het elektrisch gereedschap niet. Gebruik het juiste elektrisch gereedschap voor uw werkzaamheid.** Met het juiste elektrisch gereedschap werkt u beter en veiliger binnen het aangegeven capaciteitsbereik.
- **Gebruik het elektrisch gereedschap niet als de schakelaar niet kan worden in- en uitgeschakeld.** Elektrisch gereedschap dat niet kan worden in- of uitgeschakeld is gevaarlijk en moet worden gerepareerd.
- **Berg niet-gebruikt gereedschap op buiten het bereik van kinderen en zorg ervoor dat personen die niet vertrouwd zijn met het gereedschap of die deze instructies niet hebben gelezen het gereedschap niet gebruiken.** Elektrisch gereedschap is gevaarlijk wanneer het door onervaren personen wordt gebruikt.
- **Onderhoud het elektrisch gereedschap en de accessoires. Controleer of de bewegende onderdelen correct functioneren en niet vastklemmen en of de onderdelen zodanig gebroken of beschadigd zijn dat de werking van het elektrisch gereedschap nadelig wordt beïnvloed. Laat beschadigde onderdelen repareren voordat u het elektrisch gereedschap gebruikt.**

Vele ongevallen worden veroorzaakt door slecht onderhouden elektrisch gereedschap.

- **Houd de snij-onderdelen scherp en schoon.** Zorgvuldig onderhouden snij-gereedschap met scherpe snijranden klemmen minder snel vast en zijn gemakkelijker te beheersen.
- **Gebruik het elektrisch gereedschap, accessoires, inzetgereedschap, etc. in overeenstemming met deze instructies en houd hierbij rekening met de werkomstandigheden en de uit te voeren werkzaamheden.** Het gebruik van elektrisch gereedschap voor andere dan de voorziene toepassingen kan tot gevaarlijke situaties leiden.
- **Houd de handvatten en greepvlakken droog, schoon en vrij van olie en smeervet.** Glibberige handvatten en greepvlakken maken een veilige omgang en de controle over het elektrisch gereedschap in onverwachte situaties onmogelijk.
- **Houd kabels uit de buurt van het werkgebied van het gereedschap.** Tijdens het gebruik kan de stroomkabel verborgen worden en per ongeluk beschadigd raken door het elektrisch gereedschap.

ACCUGEREEDSCHAP GEBRUIKEN EN ONDERHOUDEN

- **Laad alleen op met de lader die door de fabrikant is gespecificeerd.** Een lader die geschikt is voor één type van accu kan tot brandgevaar leiden wanneer gebruikt met een andere accu.
- **Gebruik elektrisch handgereedschap alleen met de specifiek aangegeven accu.** Het gebruik van andere accu's kan risico op letsel en brandgevaar veroorzaken.
- **Wanneer u de accu niet gebruikt, houd het uit de buurt van andere metalen voorwerpen zoals paperclips, munten, sleutels, nagels, schroeven of andere kleine metalen voorwerpen die de twee aansluitklemmen kunnen verbinden.** Het kortsluiten van de aansluitklemmen kan brandwonden of brand veroorzaken.
- **Bij verkeerd gebruik kan er vloeistof uit de accu worden gespoten; vermijd elk contact. Als aanraking met de vloeistof toevallig plaatsvindt, spoel met water af. Als de vloeistof in de ogen komt, dient u onmiddellijk een arts te consulteren.** Vloeistof dat uit de accu wordt gespoten kan irritatie of brandwonden veroorzaken.
- **Gebruik een accu of gereedschap dat is beschadigd of aangepast niet.** Beschadigde of aangepaste accu's kunnen resulteren in onvoorzien gedrag zoals brand, explosie of het risico op letsel.

- **Stel een accu of gereedschap niet bloot aan vuur of excessieve temperaturen.** Blootstelling aan vuur of temperaturen boven 130 °C kunnen leiden tot een explosie.
- **Neem alle laadinstructies in acht en laad de accu of het gereedschap niet buiten het gespecificeerde temperatuurbereik in de handleiding op.** Het onjuist laden of bij een temperatuur buiten het temperatuurbereik kan de accu beschadigen en er bestaat een gevaar op brand.

NL

REPARATIE

- **Laat uw elektrisch gereedschap repareren door een vakbekwame reparateur en alleen met identieke reserveonderdelen.** Dit waarborgt de veiligheid van het elektrisch gereedschap.
- **Repareer nooit een beschadigde accu.** Reparatie van accu's mag alleen worden uitgevoerd door de fabrikant of een erkend servicecentrum.

⚠ WAARSCHUWING: Lees alle veiligheidswaarschuwingen, instructies, illustraties en specificaties die met het elektrisch gereedschap zijn meegeleverd. Het niet opvolgen van de waarschuwingen en instructies kan leiden tot elektrische schokken, brand en/of ernstig letsel. Bewaar alle waarschuwingen en instructies voor toekomstig gebruik.

Bewaar alle waarschuwingen en instructies voor toekomstig gebruik.

TRAINING

- Lees de instructies aandachtig door. Maak u vertrouwd met de bedieningsknoppen en het juiste gebruik van de apparaat.
- Personen of kinderen die deze instructies niet kennen mogen het gereedschap nooit gebruiken. De lokale wetgeving kan de leeftijd van de bediener begrenzen.
- Onthoud dat de bediener of gebruiker verantwoordelijk is voor ongevallen of gevaren die zich bij ander personen of hun eigendommen voordoen.

VOORBEREIDING

- Gebruik het gereedschap nooit als zich mensen, in het bijzonder kinderen of huisdieren, in de buurt bevinden.
- Draag altijd oogbescherming en stevige schoenen wanneer het gereedschap in werking is.
- De afstand tussen het gereedschap en de omstanders mag niet minder dan 15m bedragen.
- Gebruik het gereedschap nooit als de operator moe of ziek is of onder invloed is van alcohol of andere drugs.

GEBRUIK

- Gebruik het gereedschap alleen bij daglicht of voldoende kunstmatig licht.
- Gebruik het gereedschap nooit met beschadigde schermen of zonder dat de schermen gemonteerd zijn.
- Schakel de motor alleen in wanneer uw handen en voeten zich uit de buurt van het snijelement bevinden.
- Ontkoppel het gereedschap altijd van de voeding (verwijder bijvoorbeeld het accupack).
 - wanneer het gereedschap zonder toezicht wordt achtergelaten;
 - voor het verwijderen van een verstopping;
 - voor het controleren, reinigen of onderhouden van het gereedschap.
 - na het raken van een vreemd voorwerp;
 - telkens het gereedschap overmatig trilt.
- Zorg dat u geen letsel oploopt aan uw voeten en handen en voeten door hetsnijelement.
- Zorg dat de ventilatieopeningen altijd vrij van vuil zijn.

ONDERHOUD EN OPSLAG

- Ontkoppel het gereedschap van de voeding (verwijder bijvoorbeeld het accupack) alvorens reinigings- of onderhoudswerkzaamheden uit te voeren.
- Gebruik alleen reserveonderdelen of accessoires die door de fabrikant zijn aanbevolen.
- Controleer en onderhoud het gereedschap regelmatig. Laat het gereedschap alleen door een erkende reparateur repareren.
- Wanneer niet in gebruik, berg het gereedschap op buiten het bereik van kinderen.

ANDERE VEILIGHEIDSWAARSCHUWINGEN

- **Vermijd een gevaarlijke omgeving** – Gebruik het gereedschap niet ope een vochtige of natte helling.
- **Houd de schermen op hun plaats en in een goede staat.**
- **Houd handen en voeten uit de buurt van het snijbereik.**
- **Om het risico op letsel te voorkomen, mag u nooit op een ladder of een andere onveilige steun werken. Houd de snij-eenheid nooit boven heuphoogte.**
- **Controleer de snij-eenheid regelmatig tijdens het gebruik of onmiddellijk nadat een duidelijke wijziging van de snijprestaties optreedt.**
- **Voor het beste resultaat dient de accu in een ruimte te worden geladen waar de temperatuur hoger is dan 5°C en lager dan 40°C.** Bewaar hem niet buiten of in een voertuig.

- **Als iemand in de buurt komt, dient u de motor en snij-eenheid te stoppen.**
- **Waarschuw de bediener voor het gevaar dat het blad terug kaatst (alleen voor het gebruik met 3-tands mes).**
 - Een terugkaatsen van het mes kan gebeuren als het draaiende mes contact heeft met een voorwerp dat niet direct kan worden gesneden.
 - Het terugkaatsen van het mes kan ernstig genoeg zijn om het apparaat en/of de gebruiker in een willekeurige richting te slingeren, waardoor de controle over het apparaat kan worden verloren.
 - Het terugkaatsen van het mes kan zonder waarschuwing gebeuren als het mes ergens aan vast blijft hangen, afslaat of vast raakt.
 - Het terugkaatsen van het mes gebeurt eerder in een gebied waar het moeilijk te zien is, welk materiaal wordt gesneden.
- **Bevestig geen mes aan een eenheid zonder een correcte installatie van alle benodigde onderdelen. Door niet de juiste onderdelen te gebruiken, kan het mes eraf vliegen en ernstig letsel veroorzaken bij de gebruiker en/of omstanders. Verwijder gebogen, vervormde, gescheurde, gebroken of op welke manier dan ook beschadigde messen. Gebruik een scherp mes. Een bot mes klemt eerder vast of kaatst terug (gebruik alleen een 3-tands mes).**
- **Een mes/draad met naloop kan letsel veroorzaken terwijl het nog verder draait nadat de motor is uitgeschakeld of de schakelaar is losgelaten. Zorg voor een goede controle totdat het mes/de draad compleet stil staat.**
- Gebruik alleen met in afb. A vermelde accupacks en opladers.
- **Accugereedschap moet niet op een stopcontact worden aangesloten en is daarom altijd gereed voor gebruik.** Let op voor mogelijke gevaren, zelfs wanneer het gereedschap niet in gebruik is. Let op wanneer u onderhoud aan het gereedschap uitvoert.
- **Reinig het gereedschap niet met een slang. Zorg dat de motor of elektrische componenten niet met water in aanraking komen.**
- **Als er zich situaties voordoen die niet in deze handleiding worden behandeld, dient u uw gezond verstand te gebruiken. Neem contact op met het EGO klantenservice als u hulp nodig heeft.**

BEWAAR DEZE GEBRUIKSAANWIJZING!

SPECIFICATIES

Spanning	56 V ---	
Snelheid zonder belasting	4000-5800 /min	
Snijmechanisme	Aantikkop	
Type snijdraad	2,4mm nylon gedraaide draad	
Snijbreedte	38 cm	
Aanbevolen werkingstemperatuur	0°C-40°C	
Aanbevolen opslagtemperatuur	-20°C-70°C	
Gewicht (zonder accu)	3,2 kg	
Gemeten geluidsvermogensniveau L_{WA}	92,6 dB(A) K=0,8 dB(A)	
Geluidsdruk niveau aan oor van bediener L_{PA}	72,6 dB(A) K=2,5 dB(A)	
Gewaarborgd geluidsvermogensniveau L_{WA} (conform 2000/14/EC)	93 dB(A)	
Vibratie a_h	Voorste handvat	3,5 m/s ² K=1,5 m/s ²
	Achterste handvat	2,1 m/s ² K=1,5 m/s ²

- De opgegeven totale vibratiewaarde is gemeten volgens de standaard testmethode en kan worden gebruikt om het apparaat met een ander apparaat te vergelijken;
- De opgegeven totale vibratiewaarde kan ook worden gebruikt in een voorafgaande beoordeling op blootstelling.

MEDEDELING: De vibratie-afgifte tijdens het werkelijk gebruik van het elektrisch gereedschap kan verschillen van de opgegeven totale waarde; Om de bediener te beschermen dient de gebruiker tijdens het gebruik handschoenen en gehoorbescherming te dragen.

INHOUD VAN DE VERPAKKING

OMSCHRIJVING VAN DE ONDERDELEN	AANTAL
Grastrimmer	1
Scherm	1
Voorste handvat	1
Schouderriem	1
inbussleutel	1

Gebruikershandleiding	1
Snijdraad	1

BESCHRIJVING

KEN UW GRASTRIMMER (afb. A)

1. Achterste handvat
2. Trekkerschakelaar
3. Ontgrendelingsknop
4. Aanpasbare voorste handvat
5. Schouderriem
6. Stang
7. Beschermkap
8. Accuvrijgaveknop
9. Vergrendeling
10. Elektrische contacten
11. Uitwerpmechanisme
12. Snijkop (Aantikkop)
13. Draadwikkelingsknop
14. Snijdraad
15. Ontgrendelingsknop
16. Mes voor het snijden van de draad
17. Inbussleutel

MONTAGE

⚠ WAARSCHUWING: WAARSCHUWING: Als er onderdelen beschadigd zijn of ontbreken, gebruik dit product niet totdat alle onderdelen vervangen of aanwezig zijn. Dit product gebruiken met beschadigde of ontbrekende onderdelen kan ernstig persoonlijk letsel veroorzaken.

⚠ WAARSCHUWING: Probeer niet om dit product aan te passen of accessoires te maken die niet voor gebruik met deze grastrimmer zijn aanbevolen. Een dergelijke aanpassing of wijziging is verkeerd en kan leiden tot gevaar en een ernstig persoonlijk letsel.

⚠ WAARSCHUWING: Om het toevallig starten van het apparaat, dat ernstig persoonlijk letsel kan veroorzaken, te voorkomen, verwijder altijd de accu uit het apparaat voordat u onderdelen monteert.

DE BESCHERMING MONTEREN

⚠ WAARSCHUWING: Draag altijd handschoenen wanneer u het scherm monteert of vervangt. Let op voor het mes op het scherm zodat u geen letsel oploopt.

⚠ WAARSCHUWING: Gebruik het gereedschap nooit zonder juist gemonteerd scherm. Het scherm moet zich altijd op het gereedschap bevinden om de gebruiker te beschermen! Als het scherm is vastgemaakt, verwijder of pas het scherm nooit aan. Als het scherm aan vervanging toe is, laat het vervangen door een bekwame onderhoudstechnicus!

Breng de twee bouten, die op het scherm zijn vastgemaakt, op één lijn met de twee schroefgaten in de stang (Afb. B) en zet ze vast met de meegeleverde inbussleutel (Afb. C).

Zorg ervoor dat het scherm volgens Afb. B & C is bevestigd; een andere bevestiging kan groot gevaar veroorzaken!

HET VOORSTE HANDVAT MONTEREN EN AANPASSEN

Druk het voorste handvat op de schacht (Afb. E), plaats vervolgens het klemblok in de handvatsleuf (Afb. F), bevestig de vergrendelingsstang en klem het vast met de vleugelmoer (Afb. G). De volgorde is zoals weergegeven in Afb. D. Stel tenslotte de positie van het voorste handvat in tussen de zachte mouw en het label om ervoor te zorgen dat uw voorste arm recht is tijdens het gebruiken van de trimmer (Afb. H) en vergrendel de hendel om de vergrendelingsstang vast te zetten (Afb. I).

Afb. D & H beschrijving van de onderdelen, zie hieronder:

D-1	Voorste handvat	D-4	Vleugelmoer
D-2	Vergrendelingsstang	H-1	Zachte mouw
D-3	Klemblok	H-2	Waarschuwingslabel

OPMERKING: Het voorste handvat moet naar boven zijn gericht om naar de bovenkant van het achterste handvat te wijzen.

⚠ WAARSCHUWING: Bevestig het voorste handvat alleen tussen de zachte mouw en het label op de stang.

⚠ WAARSCHUWING: Het gereedschap kan niet worden gebruikt als het voorste handvat niet goed bevestigd is.

DE SCHOUDERRIEM BEVESTIGEN

1. Maak de bout in de haak van de riem los en verwijder het (Afb. J1 & J2).
2. Bevestig de haak op de stang zoals weergegeven in Afb. J3 en zet het vast met behulp van de bout (Afb. J4).

⚠ WAARSCHUWING: Maak de haak van de riem alleen vast tussen de behuizing en de zachte mouw van de as.

BEDIENING

⚠ WAARSCHUWING: WAARSCHUWING: Vertrouwdheid kan leiden tot onvoorzichtigheid. Opgelet, één seconde van onvoorzichtigheid kan ernstig letsel teweegbrengen.

⚠ WAARSCHUWING: Draag altijd een veiligheidsbril (met zijschermen) en gehoorbescherming. Het niet dragen van deze beschermingsuitrusting kan ertoe leiden dat voorwerpen in uw ogen terechtkomen of kan een ander ernstig letsel veroorzaken.

⚠ WAARSCHUWING: Gebruik geen opzetstukken of toebehoren die niet door de fabrikant van dit product zijn aanbevolen. Het gebruik van niet aanbevolen opzetstukken of toebehoren kan leiden tot ernstig persoonlijk letsel.

⚠ WAARSCHUWING: Om ernstig persoonlijk letsel te voorkomen, haal de accu uit het gereedschap voor onderhoud, reiniging, het wijzigen van accessoires of het verwijderen van materiaal.

U kunt dit product gebruiken voor onderstaand vermelde doeleinden:

Trimmen: wordt gebruikt voor het verwijderen van gras en onkruid langs muren, hekken, bomen en perken.

Snijden: wordt gebruikt voor het maaien van gras dat moeilijk te bereiken is met een normale grasmaaier.

OPMERKING: Het gereedschap mag alleen voor het voorheen genoemde doeleinde worden gebruikt. Ieder ander gebruik, bijvoorbeeld het trimmen van randen, is in dit geval misbruik

HET ACCUPACK INSTALLEREN/VERWIJDEREN

OPMERKING: Voor een beter evenwicht; als u een BA3360/BA4200/BA4200T/BA5600T accu gebruikt, gebruik het samen met de accuharnas (BH1000).

Voor de eerste ingebruikname volledig opladen.

Voor het installeren

Breng de geleiders van de accu op één lijn met de montagesleuven en druk de accu naar beneden totdat u "klik" hoort (Afb. K2).

Verwijderen

Druk de accu-ontgrendelingsknop in en trek de accu eruit, zoals weergegeven in afb. L.

Afb. K1 & K2 beschrijving van de onderdelen, zie hieronder:

K-1	BA3360/BA4200 /BA4200T/ BA5600T accu	K-4	Vergrendeling
K-2	Adapter	K-5	Montagesleuf voor accu
K-3	Accuharnas		

DE GRASTRIMMER VASTHOUDEN

⚠ WAARSCHUWING: Draag gepaste kleding om het risico op letsel tijdens gebruik van dit gereedschap te beperken. Draag geen loshangende kleding of juwelen. Draag oog- en oorbescherming. Draag een stevige lange broek, laarzen en handschoenen. Draag geen korte broek, sandalen of ga niet blootsvoets.

Voor het gebruik dient u de trimmer met beide handen vast te houden, één hand op het achterste handvat en de andere hand op het voorste handvat, waarbij de arm recht moet zijn (Afb. M). Let vervolgens op een goede stand en een gepaste maai-afstand.

OPMERKING: De trimmerkop bevindt zich evenwijdig met de grond op een gepaste maai-afstand zonder dat de bediener voorover moet bukken.

DE GRASTRIMMER STARTEN/STOPPEN

Starten

Druk de ontgrendelingshendel omlaag en duw de schakelaar vervolgens in. Het veranderen van de druk op de schakelaar heeft een variabele rotatiesnelheid van de snijdraad tot gevolg. Meer druk betekent een hogere snelheid.

Stoppen

Laat de ontgrendelingshendel en de schakelaar los.

OPMERKING: De motor draait alleen wanneer de ontgrendelingshendel en schakelaar beiden ingedrukt worden.

⚠ WAARSCHUWING: Haal altijd het accupack uit de grastrimmer wanneer u een pauze inlast of na gebruik van het gereedschap.

DE GRASTRIMMER GEBRUIKEN

⚠ WAARSCHUWING: WAARSCHUWING: Om ernstig persoonlijk letsel te voorkomen, draag altijd een veiligheidsbril wanneer u dit gereedschap gebruikt. Draag een gezichts- of stofmasker in geval van een stoffige omgeving.

Voor gebruik, verwijder alle mogelijke obstakels uit de te maaien zone. Verwijder voorwerpen zoals rotsen, gebroken glas, nagels, draad of koorden, die opgegooid kunnen worden of in het snijelement terecht kunnen komen. Zorg dat er zich geen kinderen, omstanders of huisdieren in de omgeving bevinden. Houd kinderen, omstanders en huisdieren op een afstand van minstens 15m; er is nog altijd risico op het wegslingeren van voorwerpen richting omstanders. Omstanders worden aangespoord om oogbescherming te dragen. Als iemand in de buurt komt, stop de motor en het snijelement onmiddellijk.

NL

Voor elk gebruik, controleer op beschadigde/versleten onderdelen

Controleer de snijkop, scherm en voorste handvat en vervang de onderdelen die gebarsten, scheef getrokken, gebogen of beschadigd zijn.

Het mes voor het snijden van de draad op de rand van het scherm kan na verloop van tijd bot worden. Het is aanbevolen om het mes regelmatig met een vijl te slijpen of door een nieuw mes te vervangen.

⚠ WAARSCHUWING: Draag altijd handschoenen wanneer u het scherm monteert of het mes onderhoudt. Let op voor het mes op het scherm zodat u geen letsel oploopt.

Maak de trimmer na elk gebruik schoon.

⚠ OPGELET: Belemmeringen in de ventilatieopeningen beletten de aanvoer van lucht in de motorbehuizing. Dit kan oververhitting of schade aan de motor veroorzaken.

Maak het gereedschap alleen schoon met een vochtige doek en milde zeep. Zorg dat er geen vloeistof het gereedschap binnendringt. Dompel nooit een deel van het gereedschap in een vloeistof.

- Houd de luchtopeningen in de motorbehuizing en de schacht op elk moment vrij van vuil.

⚠ WAARSCHUWING: Maak uw grastrimmer nooit schoon met water. Maak de kunststof onderdelen niet schoon met oplosmiddelen. De meeste kunststoffen kunnen door verschillende soorten van commercieel beschikbare oplosmiddelen schade oplopen. Gebruik een schone doek voor het verwijderen van vuil, stof, olie, smeer, etc.

TIPS VOOR HET BESTE MAAIRESULTAAT (AFB. N)

- De juiste hoek voor het snijelement is evenwijdig met de grond.
- Overbelast de grastrimmer niet. Laat het uiteinde van de draad het maaiwerk doen (in het bijzonder langs muren). Maaien met meer dan enkel het uiteinde zorgt voor lagere maairesultaten en kan de motor overbelasten.

- De maaihoogte wordt bepaald door de afstand van de snijdraad ten opzichte van het grasoppervlak.
- Gras langer dan 20cm moet worden gemaaid door in kleine stappen van boven naar onder te maaien zodat vroegtijdige slijtage van de draad of het slepen van de motor wordt voorkomen.
- Beweeg de grastrimmer langzaam in en uit de te maaien zone en houd hierbij de snijkop op de gewenste maaihoogte. Dit kan zowel een voor-/achterwaartse als een zijdelingse beweging zijn. Het maaien van kortere lengtes leidt tot het beste resultaat.
- Maai alleen wanneer het gras droog is.
- Omheiningen van draad en palen kunnen tot extra slijtage en breuk van de snijdraad leiden. Muren van stenen en baksteen, stoepanden en hout kunnen voor vroegtijdige slijtage van de snijdraad zorgen.
- Blijf uit de buurt van bomen en heesters. Boomschors, houten lijstwerk, gevelbeplating en palen van een omheining kunnen door de snijdraad makkelijk schade oplopen.

Afb. N beschrijving van de onderdelen, zie hieronder:

N-1	Beste maaizone	N-2	Gevaarlijke maaizone
-----	----------------	-----	----------------------

DE LENGTE VAN DE SNIJDRAAD AANPASSEN

De trimmerkop stelt de bediener in staat om meer snijdraad vrij te geven zonder de motor te moeten stoppen. Als de draad uitgerafeld of versleten raakt, geef extra draad vrij door de spoelhouder tijdens gebruik van de trimmer voorzichtig tegen de grond te tikken (Afb. O).

OPMERKING: Het vrijgeven van draad wordt moeilijker naarmate de draad korter wordt.

⚠ WAARSCHUWING: Verwijder of pas de draadsnijder niet aan. Een te lange snijdraad zal de motor oververhitten wat tot ernstig persoonlijk letsel kan leiden.

DE DRAAD VERVANGEN

OPMERKING: Gebruik altijd de geadviseerde nylon snijdraad met een diameter die niet groter is dan 2,4 mm. Het gebruik van een andere dan aangegeven draad kan ertoe leiden, dat de trimmer oververhit of beschadigd raakt.

⚠ WAARSCHUWING: Gebruik nooit metaal versterkte draad, koord of touw, etc. Deze kan afbreken en een gevaarlijk projectiel worden.

De grastrimmer is voorzien van een geavanceerd en automatisch draadwikkelingssysteem. De snijdraad kan eenvoudig op de spoel worden gewikkeld door op de knop te drukken. Het duurt ongeveer 12 seconden om de spoel volledig van draad te voorzien. Vermijd een herhaalde werking van het wikkelingssysteem snel na elkaar om schade aan de motor te vermijden.

1. Verwijder de accu.
2. Verwijder indien nodig de overgebleven snijdraad. Trek het er gewoon met de hand uit.
3. Knip een stuk snijdraad af van 4 meter lang. Stop de draad in het oogje (Afb. P) en duw de draad totdat het uiteinde van de draad uit het oogje aan de andere kant tevoorschijn komt.

Afb. P beschrijving van de onderdelen, zie hieronder:

P-1	Snijdraad	P-3	Oogje
P-2	Onderste kap		

4. Verwijder de accu als deze in de vorige stap op de grastrimmer werd bevestigd.
5. Trek aan de draad vanaf de andere kant totdat aan beide zijden van de spoel evenveel draad is.
6. Installeer de accu in de grastrimmer. Druk en houd de draadwikkelingsknop ingedrukt om de motor te starten. De draad wordt continu in de snijkop gewikkeld (Afb. R).
7. Houd de resterende draadlengte altijd in het oog. Laat de knop los zodra er slechts nog ongeveer 18cm draad aan weerskanten over is. Druk kort op de draadwikkelingsknop om de lengte van de draad tot ongeveer 14cm aan weerskanten te brengen.
8. Duw de snijkop omlaag terwijl u handmatig aan de draden trekt om na te gaan of de snijdraad juist is aangebracht.

OPMERKING: Als de snijdraad per ongeluk in de snijkop wordt getrokken, open de kop en trek de snijdraad uit de spoel. Volg de stappen in de sectie “DE SNIJDRAAD OPNIEUW AANBRENGEN” in deze handleiding om de snijdraad opnieuw aan te brengen.

DE SNIJDRAAD OPNIEUW AANBRENGEN

Als de draad aan de uitgang breekt of als de draad niet verder loopt of in de trimmerkop vast komt te zitten, dient u de volgende stappen uit te voeren om de resterende snijdraad te verwijderen en de snijdraad opnieuw aan te brengen.

1. Druk op de twee klemcontacten op de snijkop en verwijder de snijkop van de spoel door het omhoog uit te trekken (Afb. S-1 & S-2).

2. Verwijder de snijdraad van de snijkop en stop de veer in de sleuf binnen de onderste kap (Afb. T).
3. Houd met één hand de trimmer vast en gebruik uw andere hand om de onderste kap vast te pakken en de gleuven in de onderste kap op één lijn met de klemcontacten te brengen. Druk op de onderste kap totdat u een klik hoort. Dit geeft aan dat het stevig vastzit (Afb. U).
4. Volg de instructies in “DE SNIJDRAAD VERVANGEN” om een nieuwe snijdraad aan te brengen.

Afb. S1, T & U beschrijving van de onderdelen, zie hieronder:

S1-1	Onderste kap	U-1	Klemcontact
S1-2	Klemcontact	U-2	Gleuf
T-1	Veer		

DE SNIJKOP VERVANGEN

⚠ WAARSCHUWING: I Als de kop na bevestiging op de juiste positie loskomt, vervang het onmiddellijk. Gebruik nooit een trimmer met een los snijelement. Vervang een gebarsten, beschadigde of versleten snijkop onmiddellijk, zelfs al is de schade beperkt tot oppervlakkige barstjes. De snijkop kan tegen hoge snelheid uiteenspatten en tot ernstig letsel leiden.

De snijkop verwijderen

1. Verwijder de accu van de grastrimmer.
2. Druk op de klemcontacten op de snijkop en verwijder de onderste kap van de snijkop door het omhoog uit te trekken (zie Afb. S1 & S2).
3. Verwijder de snijdraad van de snijkop (Afb. V).
4. Indien nodig, verwijder de veer uit de spoel. Bewaar de veer om het later opnieuw aan te brengen.
5. Draag handschoenen. Gebruik een hand om de spoel stevig vast te houden en gebruik uw andere hand om de moer tegen de klok in los te draaien met behulp van een slagmoersleutel (Afb. W).
6. Verwijder de moer, sluitring, spoel en bovenste kap van de motoras (Afb. X).
7. Gebruik een gepaste tang om de borgveer te verwijderen. Verwijder de ventilator (Afb. Y).
8. Vervang de snijkop door een nieuwe en maak deze vast zoals hierna vermeld.

Afb. W & X & Y beschrijving van de onderdelen, zie hieronder:

W-1	Slagmoersleutel	X-4	Moer
X-1	Bovenste kap	Y-1	Ventilator
X-2	Spoel	Y-2	Borgveer
X-3	Sluitring		

De nieuwe snijkop installeren

1. Breng het sleutelgat in de ventilator op één lijn met de gleuf in de motoras en zet de ventilator op de juiste plaats vast (Afb. Z).
2. Maak de borgveer, bovenste kap, spoel en sluitring in deze volgorde vast. Draai de muur vast met een slagmoersleutel.
3. Volg de instructies in de sectie **“DE SNIJDRAAD OPNIEUW AANBRENGEN”** in deze handleiding om de onderste kap vast te maken.
4. Volg de instructies in de sectie **“DE SNIJDRAAD VERVANGEN”** in deze handleiding om de snijdraad opnieuw aan te brengen.
5. Schakel het gereedschap in om na te gaan of de trimmer normaal werkt. Als dit niet het geval is, zet het gereedschap opnieuw in elkaar zoals hierboven aangegeven.

Afb. Z beschrijving van de onderdelen, zie hieronder:

Z-1	Gleuf	Z-2	Sleutelgat
-----	-------	-----	------------

NL

ONDERHOUD

WAARSCHUWING: Bij reparatie, gebruik uitsluitend identieke reserve-onderdelen. Controleer en onderhoud de machine regelmatig. Laat alle reparaties uitvoeren door een vakbekwame reparateur om een continue veiligheid en betrouwbaarheid te waarborgen.

WAARSCHUWING: Accugereedschap moet niet op een stopcontact worden aangesloten en kan aldus altijd onmiddellijk gebruikt worden. Om ernstig persoonlijk letsel te voorkomen, neem extra voorzorgsmaatregelen wanneer u het snijelement of andere accessoires onderhoudt, reinigt of wijzigt.

WAARSCHUWING: Om ernstig persoonlijk letsel te voorkomen, haal het accupack uit het gereedschap voor onderhoud, reiniging, het wijzigen van accessoires of het verwijderen van materiaal.

HET APPARAAT SCHOONMAKEN

- Maak het apparaat schoon met een vochtige doek en mild schoonmaakmiddel.
- Maak de kunststof behuizing of handvat niet schoon met een agressief schoonmaakmiddel. Deze kunnen door bepaalde aromatische oliën, zoals pijnboom en citroen, en oplosmiddelen, zoals kerosine, worden beschadigd. Vocht kan risico op elektrische schokken met zich meebrengen. Veeg eventueel vocht weg met een zachte en droge doek.

- Maak de ventilatieopeningen van de achterste behuizing schoon met een kleine borstel of een stofzuiger met een kleine borstel om ze van obstakels te ontdoen.

HET MES VOOR HET SNIJDEN VAN DE DRAAD SLIJPEN

WAARSCHUWING: Bescherm altijd uw handen door stevige werkhandschoenen te dragen als u onderhand aan het mes voor het snijden van de draad uitvoert.

1. Haal het mes van de beschermkap af.
2. Draag geschikte oogbescherming en handschoenen en wees voorzichtig zodat u zich niet snijdt.
3. Zet het mes vast in een bankschroef.
4. Vijl de randen van het mes voorzichtig met een fijne vijl of een slijpsteen. Let hierbij op de originele hoek van het mes.
5. Breng het mes opnieuw aan op de beschermkap en zet het vast met de twee schroeven.

HET APPARAAT OPBERGEN

- Verwijder het accupack van de grastrimmer wanneer niet in gebruik.
- Maak het gereedschap grondig schoon voordat u het opbergt.
- Berg het apparaat op in een droge, goed geventileerde en afsluitbare ruimte of op een hoge hoogte en buiten het bereik van kinderen. Berg het apparaat niet op in de buurt van meststoffen, benzine of andere chemicaliën.

Het milieu beschermen



Gooi geen elektrische apparaten, acculaders en accu's/oplaadbare batterijen met het huisafval weg!

Elektrische en elektronische apparaten, in overeenstemming met de Europese wet 2012/19/EG, en defecte of verbruikte accupacks/batterijen, in overeenstemming met 2006/66/EG, moeten afzonderlijk worden ingezameld.

Als elektrische apparaten op een stortterrein of vuilnisbelt terechtkomen, kunnen gevaarlijke stoffen in het grondwater lekken en in de voedselketen komen wat schadelijk is voor uw gezondheid en welzijn.

PROBLEEMOPLOSSING

PROBLEEM	ORZAAK	OPLOSSING
Accugrastrimmer- start niet.	<ul style="list-style-type: none"> ■ Het accupack is niet met de grastrimmer verbonden. ■ Er is geen elektrisch contact tussen de grastrimmer en accu. ■ HET ACCUPACK IS UITGEPUT. ■ De ontgrendelingsknop en schakelaar zijn niet tegelijkertijd ingedrukt. 	<ul style="list-style-type: none"> ■ Verbind het accupack met de grastrimmer. ■ Verwijder het accupack, controleer de aansluitklemmen en plaats het accupack terug. ■ Laad het accupack op. ■ Druk de ontgrendelingsknop omlaag en duw de schakelaar in om de grastrimmer in te schakelen.
Het mes snijdt de draad niet.	<ul style="list-style-type: none"> ■ Het scherm is niet op de grastrimmer gemonteerd waardoor de snijdraad te lang is en de motor oververhit raakt. ■ Er wordt zware snijdraad gebruikt. ■ De motoras of snijkop zit vol met gras. ■ De motor is overbelast. ■ Het accupack of de grastrimmer is te warm. ■ Het accupack is niet met het gereedschap verbonden. ■ Het accupack is uitgeput. 	<ul style="list-style-type: none"> ■ Verwijder het accupack en monteer het scherm op de trimmer. ■ Gebruik de geadviseerde nylon snijdraad met een diameter van niet meer dan 2,4 mm. ■ Stop de grastrimmer, haal het accupack uit en verwijder het gras van de motoras en snijkop. ■ Verwijder het gras uit de snijkop. De motor werkt opnieuw zodra het gras is verwijderd. Beweeg de snijkop tijdens het maaien in en uit het gras en verwijder niet meer dan 20 cm gras in één maaibeurt. ■ Laat het accupack of de trimmer afkoelen totdat de temperatuur lager dan 67°C is. ■ Installeer het accupack opnieuw. ■ Laad het accupack op.

PROBLEEM	OORZAAK	OPLOSSING
Trimmer head will not advance line	<ul style="list-style-type: none"> ■ De motoras of snijkop zit vol met gras. ■ Er bevindt zich onvoldoende draad op de spoelhouder. ■ De snijkop is vuil. ■ De draad is verstrikt geraakt op de spoelhouder. ■ De draad is te kort. 	<ul style="list-style-type: none"> ■ Stop de grastrimmer, haal het accupack uit en verwijder het gras van de motoras en snijkop. ■ Verwijder het accupack en vervang de snijdraad volgens de sectie "DE DRAAD VERVANGEN" in deze handleiding. ■ Verwijder de accu en reinig de spoelhouder en de spoelbasis. ■ Verwijder de accu en verwijder de snijdraad van de spoel en wikkel op, volgens de sectie "DE SNIJDRAAD VERVANGEN" in deze handleiding. ■ Verwijder de accu en trek aan de draden terwijl de aantikknop afwisselend wordt ingedrukt en losgelaten.
Grass wraps around trimmer head and motor housing	<ul style="list-style-type: none"> ■ Lang gras wordt op grondniveau gemaaid. 	<ul style="list-style-type: none"> ■ Maai lang gras van boven naar onder en verwijder niet meer dan 20cm per maaibeurt om omwikkeling te voorkomen.
The blade is not cutting the line.	<ul style="list-style-type: none"> ■ Het mes voor het snijden van de draad op de rand van het scherm is bot. 	<ul style="list-style-type: none"> ■ Slijp het mes met behulp van een vijl of vervang het door een nieuwe.
Cracks on the trimmer head or the spool retainer comes loose with spool base.	<ul style="list-style-type: none"> ■ De trimmerkop is versleten. 	<ul style="list-style-type: none"> ■ Vervang de snijkop onmiddellijk. Laat dit door een vakbekwame technicus uitvoeren.
During line replacement, the line can't be loaded into the trimmer head properly.	<ul style="list-style-type: none"> ■ De snijdraden van de spoelhouder zijn niet op één lijn met de oogjes in de spoelbasis. ■ De snijdraad zit niet correct in het montagegat in het oogje. 	<ul style="list-style-type: none"> ■ Draai de spoelhouder in de richting van de pijl, om de snijdraden op de spoelhouder op één lijn te brengen met de gaten in de spoelbasis. ■ Breng de snijdraden eerst op één lijn met het oogje en steek vervolgens de draad in het montagegat aan de binnenkant van het oogje.

GARANTIE

EGO GARANTIEVOORWAARDEN

Bezoek onze website egopowerplus.com voor alle voorwaarden van de EGO garantie.

LÆS ALLE ANVISNINGER!



LÆS BRUGANVISNING

⚠ Særlig risiko! Folk med elektroniske anordninger, såsom pacemakere, bør spørge deres læge til råds, før de bruger dette produkt. Betjening af elektrisk udstyr i umiddelbar nærhed af en pacemaker kan forårsage forstyrrelser eller svigt af pacemakeren.

⚠ ADVARSEL: For at sikre sikkerhed og pålidelighed, bør alle reparationer og udskiftninger udføres af en kvalificeret servicetekniker.

SIKKERHEDSSYMBOLER

Formålet med sikkerhedssymboler er at gøre dig opmærksom på mulige farer. Du bør være meget opmærksom på sikkerhedssymbolerne og forklaringer til dem og lære at forstå dem. Symboladvarslar fjerner ikke i sig selv eventuelle farer. Anvisningerne og advarslerne er ingen erstatning for korrekte forebyggelsesforanstaltninger mod ulykker.

⚠ ADVARSEL: Sørg for at læse og forstå alle sikkerhedsanvisninger i denne brugsanvisning, inklusive alle sikkerhedssymboler, såsom "FARE", "ADVARSEL" og "FORSIGTIG", før du bruger dette værktøj. Hvis du ikke følger advarslar og anvisninger, kan det resultere i elektrisk stød, brand og/eller alvorlig personskade.

SYMBOLBETYDNING








⚠ SYMBOL FOR SIKKERHEDSVARSEL: Angiver FARE, ADVARSEL eller FORSIGTIG. Kan anvendes i kombination med andre symboler eller piktogrammer.

SIKKERHEDSANVISNINGER

Denne side viser og beskriver sikkerhedssymboler, der kan forekomme på dette produkt. Læs, forstå, og følg alle anvisninger på apparatet, før du forsøger at samle og betjene det.

	Sikkerhedsvarsel	Angiver en potentiel fare for personskade.
	Læs brugsanvisningen	For at nedsætte risikoen for personskade, skal brugeren læse og forstå brugsanvisningen, før dette produkt tages i brug.
	Bær beskyttelsesbriller	Bær altid beskyttelsesbriller eller sikkerhedsbriller med sidebeskyttelse og om nødvendigt en fuld ansigtsmaske.
	Brug høreværn	Bær altid høreværn (ørepropper eller ørebeskyttere) for at beskytte din hørelse.
	Trimme bredde	Græstrimmerens maks. klippebredde
	Diameter af snor	Diameteren af nylontrimmersnoren
	Brug hovedbeskyttelse	Brug en beskyttelseshjelm, så dit hoved beskyttes.
	Brug beskyttelseshandsker	Beskyt dine hænder med handsker, når savklingen og skærmen håndteres. Kraftige beskyttelseshandsker forbedrer dit greb og beskytter dine hænder.
	Benytt sikkerhedsfodtøj	Benytt skridsikkert sikkerhedsfodtøj, når du bruger dette udstyr.
	Pas på tilbageslag fra savklingen	Advar brugeren om faren for tilbageslag fra savklingen.
	Flyvende genstande. Hold tilskuere væk	Genstande, der udslynges kan rikoettere og resultere i personskade eller skade på ejendom. Sørg for, at andre personer og kæledyr er mindst 15 m væk fra buskrydderen, når den er i brug.

DK

	Hold omkringstående på afstand	Sørg for, at andre personer og kæledyr er mindst 15 m væk fra kantklipperen, når den er i brug.
	Ingen runde klinger	Runde savklinger må ikke bruges.
	Må ikke udsættes for regn	Må ikke anvendes i regnvejr eller efterlades udendørs, mens det regner.
	CE	Dette produkt er i overensstemmelse med gældende EU-direktiver.
	WEEE	Affald fra elektriske produkter bør ikke bortskaffes sammen med husholdningsaffald. Bring det til en godkendt genbrugsplads.
	Støj	Garanteret lydniveau. Støjemission til miljøet opfylder EF-direktivet.
V	Volt	Spanding
	Javnstrøm	Type af eller egenskab for strøm
n_0	Hastighed uden belastning	Rotationshastighed uden belastning
min ⁻¹	Pr. minut	Omdrejninger pr. minut

GENERALLE SIKKERHEDSADVARSLER OM ELEKTRISKE APPARATETER

⚠ ADVARSEL: Læs alle sikkerhedsadvarsler, instruktioner, billeder og specifikationer, der følger med dette elværktøj. Hvis man ikke følger nedenstående anvisninger, kan det medføre elektrisk stød, brand og/eller alvorlig personskade. Gem alle advarsler og anvisninger til fremtidig brug.

Udtrykket "elværktøj" i advarslerne refererer til dit lysnetdrevne (med ledning) elværktøj eller batteridrevne (ledningsfrie) elværktøj.

SIKKERHED I ARBEJDSOMRÅDET

- Hold arbejdsområdet rent og godt oplyst. Rodede eller uoplyste arbejdsområder inviterer til ulykker.

- Brug ikke elværktøj i eksplosive atmosfærer, såsom ved tilstedeværelse af brændbare væsker, gasser eller støv. Elværktøj skaber gnister, der kan antænde støv eller dampe.
- Hold børn og omkringstående på afstand, mens du betjener et elværktøj. Forstyrrelser kan medføre, at du mister kontrollen.

PERSONLIG SIKKERHED

- Vær opmærksom, se, hvad du laver, og brug sund fornuft, når du benytter et elværktøj. Brug ikke apparatet, hvis du er træt eller er påvirket af narkotika, alkohol eller medicin. Et øjeblik uopmærksomhed ved brug af maskinen kan føre til alvorlige personskader.
- Brug personlige værnemidler. Bær altid beskyttelsesbriller. Værnemidler, såsom støvmaske, skridsikre sikkerhedssko, hjelm eller høreværn, der anvendes under passende betingelser, nedsætter risikoen for personskade.
- Forebyg utilsigtet start. Sørg for kontakten er i slukket position, før værktøjet tilsluttes til strømkilde og/eller batteripakke, samles op eller bæres. Hvis du bærer elværktøj med fingeren på kontakten eller sætter strøm til elværktøj, der har kontakten tændt, beder du om ulykker.
- Fjern indstillingsværktøj eller skruenøgler, før elværktøjet startes. En skruenøgle eller andet værktøj, der sidder i en roterende del af elværktøjet, kan give personskade.
- Læn dig ikke for langt forover. Stå ordentlig fast og vær hele tiden i balance. Dette giver bedre kontrol over elværktøjet i uventede situationer.
- Fornuftig påklædning. Bær ikke løst tøj eller smykker. Hold dit hår, tøj og handsker væk fra bevægelige dele. Løst tøj, smykker eller langt hår kan blive fanget i bevægelige dele.
- Hvis der er installeret anordninger for tilslutning af støvdugsnings- og opsamlingsudstyr, så sørg for, at dette tilsluttes og anvendes korrekt. Anvendelse af støvanordninger kan mindske støvrelaterede risici.
- Lad ikke kendskab til værktøjer pga. hyppig brug gøre dig for selv sikker, og ignorer værktøjernes sikkerhedsprincipper. Uforsigtig håndtering kan forårsage alvorlig skade på en brøkdal af et sekund.

BRUG OG PLEJE AF ELVÆRKTØJ

- Tving ikke elværktøj. Brug det korrekte elværktøj til det, du skal lave. Det korrekte elværktøj vil gøre arbejdet bedre og mere sikkert ved den hastighed, som det er beregnet til.

- **Brug ikke elværktøjet, hvis kontakten ikke kan tænde og slukke.** Alt elværktøj, hvor kontakterne ikke dur, er farligt og skal repareres.
- **Opbevar elværktøjer utilgængeligt for børn og lad ikke personer, der ikke er bekendt med motorsaven eller disse instruktioner, bruge el-værktøjet.** Elværktøj er farligt i hænderne på utrænede brugere.
- **Elværktøj og deres tilbehør skal vedligeholdes.** Sørg for at bevægelige dele passer og ikke binder, at det ikke er gået i stykker og at generelt er i god stand og virker ordentligt. Hvis elværktøjet beskadiges, skal det repareres før brug. Mange ulykker skyldes dårligt vedligeholdt elværktøj.
- **Sørg for at holde skæreværktøjer skarpe og rene.** Skæreværktøjer med skarpe kanter, der vedligeholdes ordentligt, er mindre tilbøjelige til at binde og er lettere at styre.
- **Brug elværktøj, tilbehør og bits osv. i overensstemmelse med disse anvisninger, under hensyntagen til arbejdsforholdene og det arbejde, der skal udføres.** Anvendelse af elværktøj til andre formål end dem, de er beregnet til, kan medføre en farlig situation.
- **Hold håndtag og greb tørre, rene og fri for olie og fedt.** Løse håndtag og greb gør det usikkert, at håndtere og styre værktøjet i uventede situationer.
- **Hold ledningerne væk fra værktøjets arbejdsområde.** Under drift kan kablet være ude af syne og kan utilsigtet blive beskadiget af værktøjet.

BRUG OG PLEJE AF BATTERIET

- **Batteripakken må kun oplades med opladeren, der er angivet af fabrikanten.** Hvis en oplader, der er egnede til én slags batteripakke, bruges med en anden slags batteripakke, kan det føre til brand.
- **Elværktøjer må kun bruges med batteripakker, der er beregnet til dem.** Hvis der bruges andre batteripakker, kan det føre til skader eller brand.
- **Når batteripakken ikke er i brug, skal den holdes væk fra andre metalgenstande som papirclips, mønter, nøgler, søm, skruer eller andre små metalgenstande, der kan skabe forbindelse fra en pol til en anden.** Kortslutning af batteripolerne kan forårsage forbrændinger eller brand.
- **Ved forkert anvendelse kan der slippe væske ud af batteriet; undgå kontakt.** Kommer man uheldigvis i kontakt med væsken: Skyl med vand. Hvis væsken kommer i øjnene, skal man også søge læge. Væskesprøjt fra batteriet kan forårsage irritation eller forbrændinger.

- **Brug ikke en batteripakke eller et værktøj, som er beskadiget eller modificeret.** Beskadigede eller modificerede batterier kan udvise uforudsigelig adfærd, der kan føre til brand, eksplosion eller risiko for skade.
- **En batteripakke eller et værktøj må ikke udsættes for brand eller for høj temperatur.** Udsættelse for brand eller temperatur over 100 °C kan føre til eksplosion.
- **Følg alle opladningsinstruktioner, og oplad ikke batteripakken eller værktøjet uden for det temperaturområde, der er angivet i vejledningen.** Forkert opladning eller i temperaturer uden for det angivne område kan beskadige batteriet og øge risikoen for brand.

SERVICE

- **Dit elværktøj skal repareres af en kvalificeret person, og der må kun bruges identiske reservedele.** På denne måde sikrer man, at elværktøjet forbliver sikkert at bruge.
- **Forsøg aldrig at reparere beskadigede batterier.** Batteripakker må kun repareres af producenten og autoriserede serviceudbydere.

⚠ ADVARSEL: Læs alle sikkerhedsadvarsler, anvisninger, illustrationer og specifikationer, der følger med dette elværktøj. Hvis anvisningerne nedenfor ikke følges, kan det føre til elektrisk stød, brand og/eller alvorlig personskade. Gem alle advarsler og instruktioner til fremtidig reference.

Gem alle advarsler og instruktioner til fremtidig reference.

UDDANNELSE

- Læs anvisningerne grundigt igennem. Bliv fortrolig med alle knapper og den korrekte brug af apparatet.
- Lad aldrig personer, der ikke kender disse anvisninger, bruge apparatet. Lokale forskrifter kan sætte aldersgrænser for en operatør.
- Husk, at operatøren eller brugeren er ansvarlig, hvis andre personer eller andres ejendom udsættes for ulykke eller fare.

FORBEREDELSE

- Brug aldrig maskinen i nærheden af andre, især børn eller kæledyr.
- Bær altid øjenbeskyttelse og solide sko, mens du betjener apparatet.
- Afstanden mellem apparatet og omkringstående skal være mindst 15 m.
- Betjen aldrig maskinen, mens operatøren over sig, er syg eller påvirket af alkohol eller andre rusmidler.

BETJENING

- Brug kun apparatet i dagslys eller godt kunstigt lys.
- Anvend aldrig apparatet med defekte kapper eller skærme eller uden kapper eller skærme monteret.
- Tænd kun for motoren, når hænder og fødder er væk fra trimmerdelen.
- Afbryd altid maskinen fra strømforsyningen (dvs. fjern batteripakken).
 - Når apparatet forlades uden opsyn.
 - Før en blokering fjernes.
 - Før kontrol, rengøring eller arbejde på maskinen.
 - Efter at have ramt et fremmedlegeme.
 - Når apparatet begynder at vibrere unormalt.
- Pas på skade på hænder og fødder fra trimmerdelen.
- Sørg altid for, at ventilationsåbningerne holdes fri for snavs og skidt.

VEDLIGEHOLDELSE OG OPBEVARING

- Afbryd maskinen fra strømforsyningen (dvs. fjern batteripakken), inden du udfører vedligeholdelse- eller rengøringsarbejde.
- Brug kun fabrikantens anbefalede reservedele og tilbehør.
- Efterse og vedligehold apparatet regelmæssigt. Få kun apparatet repareret af en autoriseret reparatør.
- Når apparatet ikke er i brug, opbevar maskinen utilgængeligt for børn.

ANDRE SIKKERHEDSADVARSLER

- **Undgå farlige omgivelser** – Brug ikke apparatet på fugtige eller våde skrånninger.
- **Hold kapper på plads og i orden.**
- **Hold hænder og fødder væk fra klippeområdet.**
- **For at mindske risikoen for personskade, må du aldrig arbejde på en stige eller på noget andet usikkert underlag. Hold aldrig klippedelen over hoftehøjde.**
- **Se regelmæssigt klippedele efter under brug, eller omgående, hvis der er en mærkbar forandring i måden, hvorpå apparatet klipper.**
- **For at opnå de bedste resultater bør dit batteri oplades et sted, hvor temperaturen er over 5 °C og under 40 °C. Opbevar det ikke uden for eller i køretøjer.**
- **Hvis nogen nærmer sig, så stop straks motoren og klippedelen.**

■ Advar brugeren om fare tilbageslag, når savklingen bruges (kun klingen med 3 tænder).

- Savklingen kan give tilbageslag, hvis den saver ind i en genstand, som den umiddelbart ikke kan save over.
- Et tilbageslag kan være voldsomt nok til at slynge enheden og/eller brugeren i alle retninger, og derved muligvis miste kontrollen over enheden.
- Et tilbageslag kan opstå uden varsel, hvis savklingen rammer en knast, stopper eller kommer i klemme.
- Tilbageslag er mere tilbøjelige til at forekomme i områder, hvor det er vanskeligt at se materialer, der beskæres.
- **Der må ikke sættes nogen savklinger på enheden, før alle de nødvendige dele først er sat på. Hvis de rigtige dele ikke bruges, kan savklingen flyve af, og forårsage alvorlig skade på brugeren og/eller personer i nærheden. Savklinger, der er bøje, skæve, revnede, ødelagt eller på nogen måde beskadigede, skal smides ud. Brug en skarp savklinge. En døv savklinge er mere tilbøjelige til at sidde fast og give tilbageslag (kun, når der bruges savklinger med 3 tænder).**
- En belagt savklinge/tråden kan forårsage skade, hvis den fortsætter med at køre rundt efter motoren er stoppet eller gashåndtaget er sluppet. Kontroller apparatet ordentligt indtil klingen/tråden er hold helt op med at dreje rundt.
- Produktet må kun bruges med batteripakkerne og opladerne, der står på listen i fig. A
- **Batteridrevne værktøjer behøver ikke at være tilsluttet en stikkontakt, derfor er de altid driftsklar.** Vær opmærksom på mulige farer, selv når værktøjet ikke arbejder. Vær forsigtig, når du udfører vedligeholdelse eller service.
- **Undlad at vaske med en slange; undgå at få vand i motor og elektriske forbindelser.**
- **Ved situationer, der ikke er dækket i denne vejledning: Vær forsigtig, og arbejd med omtanke. Kontakt Egos servicecenter for at få hjælp.**

GEM DISSE ANVISNINGER!

SPECIFIKATIONER

Spænding	56 V ---	
Hastighed ubelastet	4000-5800 /min	
Trimmemekanisme	Fjederhoved	
Type trimmersnor	2,4 mm snoet nylontråd	
Trimmebredde	38 cm	
Anbefalet driftstemperatur	0°C-40°C	
Anbefalet opbevaringstemperatur	-20°C-70°C	
Vægt (uden batteri)	3,2 kg	
Målt lydeffektniveau L_{WA}	92,6 dB(A) K=0,8 dB(A)	
Lydeffektniveau ved brugerens øre L_{PA}	72,6 dB(A) K=2,5 dB(A)	
Garanteret lydeffektniveau L_{WA} (ifølge direktiv 2000/14/EF)	93 dB(A)	
Vibrationer a_h	Forreste hjælpehåndtag	3,5 m/s ² K=1,5 m/s ²
	Bageste håndtag	2,1 m/s ² K=1,5 m/s ²

- Den samlede værdi af angivne vibrationer er målt i overensstemmelse med en standardiseret prøvningsmetode og kan anvendes til at sammenligne et værktøj med et andet
- Den samlede angivne værdi for vibrationer kan også anvendes ved en foreløbig vurdering af eksponeringen.

BEMÆRK: Udsendelsen af vibrationer ved faktisk brug af elværktøjet kan afvige fra den angivne værdi, der hvor værktøjet anvendes. For at beskytte operatøren, bør vedkommende bære handsker og høreværn under de faktiske brugsbetingelser.

PAKKELISTE

RESERVEDELENS NAVN	ANTAL
Grastrimmer	1
Kappe	1
Montage af forreste hjælpehåndtag	1
Skulderstrop	1
Unbrakonogle	1
Brugsanvisning	1
Trimmersnor	1

BESKRIVELSE

KEND DIN GRÆSTRIMMER (fig. A)

- Bageste håndtag
- Startknap
- Låseknap
- Justerbart forreste hjælpehåndtag
- Skulderstrop
- Skaft
- Kappe
- Knap til frigørelse af batteri
- Pal
- Elektriske kontakter
- Udstødningmekanisme
- Trimmerhoved (fjederhoved)
- Knap til opvikling af trimmersnor
- Trimmersnor
- Udløserpat
- Kniv til afskæring af snor
- Unbrakonogle

MONTERING

⚠ ADVARSEL: Hvis der er dele, der er beskadigede eller mangler, anvendes apparatet ikke, før delene er udskiftet. Brug af dette produkt med beskadigede eller manglende dele kan medføre alvorlig personskaade.

⚠ ADVARSEL: Forsøg ikke at ændre dette produkt eller fremstille tilbehør, der ikke anbefales til brug med denne græstrimmer. Enhver sådan ændring eller modifikation er misbrug og kan resultere i en farlig situation, der fører til eventuel alvorlig personskaade.

⚠ ADVARSEL: For at forebygge utilsigtet start, der kunne forårsage alvorlig personskaade, skal man altid fjerne batteripakken fra produktet, når der monteres dele.

MONTERING AF KAPPE

⚠ ADVARSEL: Brug altid handsker ved montering eller udskiftning af kappen. Vær forsigtig med kniven på kappen, og beskyt din hånd mod at blive skåret.

⚠ ADVARSEL: Brug aldrig værktøjet uden kappen solidt på plads. Kappen skal altid være på værktøjet for at beskytte brugeren! Når kappen er monteret, så forsøg aldrig at fjerne eller tilpasse den; hvis der er behov for udskiftning, skal det gøres af en kvalificeret servicetekniker!

Flugt de to bolte, som er formonteret på kappen med de to huller i akslen (fig. B), og stram dem med den medfølgende unbrakonøgle (fig. C).

Sørg for, at kappen sidder som på fig. B og C. Hvis monteringen gøres omvendt kan det forårsage stor fare!

MONTERING OG JUSTERING AF FORRESTE HJÆLPEHÅNDTAG

Skub forreste hjælpehåndtag på skaftet (fig. E), sæt derefter låseblokken i rillen på håndtaget (fig. F), isæt låsepalen, lås låsebeslaget med vingemøtrikken (fig. G). Rækkefølgen som vist i fig. D. Endelig justeres forreste hjælpehåndtag mellem den bløde manchete og etiketten, så din forreste arm er strakt, når du arbejder med trimmeren (fig. H); lås derefter grebet på låsepalen (fig. I).

Beskrivelse af delene i fig. D og H, se nedenfor:

D-1	Forreste hjælpehåndtag	D-4	Vingemøtrik
D-2	Låsepal	H-1	Blød manchete
D-3	Klemmeklods	H-2	Advarselsetiket

BEMÆRK: Forreste hjælpehåndtag skal vende, så det peger opad mod toppen af det bageste håndtag.

ADVARSEL: Forreste hjælpehåndtag må kun monteres mellem den bløde manchete og etiketten på skaftet.

ADVARSEL: Værktøjet kan ikke bruges uden solid fastgørelse af forreste hjælpehåndtag.

MONTERING AF SKULDERSTROP

- Løsn og fjern bolten i stroppens krog (fig. J1 og J2).
- Fastgør krogen på skaftet som vist på fig. J3, og lås den fast med bolten (Fig. J4).

ADVARSEL: Krogen på remmen må kun fastgøres mellem huset og den bløde manchete på skaftet.

BETJENING

ADVARSEL: Selvom du kender dette produkt, så bliv ikke skødesløs. Husk, at skødesløshed i en brøkdal af et sekund kan forvolde betydelig personskade.

ADVARSEL: Bær altid beskyttelsesbriller eller sikkerhedsbriller med sidebeskyttelse samt høreværn. Hvis du ikke gør, kan du få genstande slynget i øjnene, og der kan også opstå andre alvorlige skader.

ADVARSEL: Anvend ikke påmonteringer eller tilbehør, der ikke anbefales af fabrikanten af dette produkt. Brug af påmonteringer eller tilbehør, der ikke

anbefales, kan forårsage alvorlig personskade.

ADVARSEL: For at undgå alvorlig personskade tages batteriet af værktøjet før service, rengøring, udskiftning af påmonteringer, eller før der fjernes noget fra apparatet.

Du kan bruge dette produkt til de formål, der er nævnt nedenfor:

Trimning: anvendes til at fjerne græs og ukrudt op mod vægge, hegn, træer og skel.

Klipning: anvendes til at klippe græs, der er svært at nå med en almindelig plæneklipper.

BEMÆRK: Værktøjet skal kun bruges til det formål, det er beregnet til. Enhver anden anvendelse, f.eks. kantrimning, anses for at være et tilfælde af misbrug.

PÅSÆTNING / AFTAGNING BATTERIPAKKEN

BEMÆRK: For bedre balance, når du bruger BA3360/BA4200/BA4200T/BA5600T-batterier, anbefales det at bruge det sammen med rygsækbæresele (BH1000).

Fuld opladning før første brug.

Påsætning

Flugt batteriets ribber med monteringsnoterne, og tryk batteriet ned, indtil du hører et "klik" (fig. K2).

Aftagning

Tryk på knappen til batteriudløseren, og træk batteriet ud som vist på fig. L.

Beskrivelse af dele i fig. K1 og K2, se nedenfor:

K-1	BA3360/BA4200 /BA4200T/BA5600T batteri	K-4	Pal
K-2	Adapter	K-5	Rille til montering af batteri
K-3	Rygsækbæresele		

SÅDAN HOLDES GRÆSTRIMMEREN

ADVARSEL: Bær rigtig påklædning for at mindske risikoen for skader, når du betjener dette værktøj. Bær ikke løst tøj eller smykker. Bær øjen- og øre- / høreværn. Bær kraftige, lange bukser, støvler og handsker. Gå ikke i korte bukser, sandaler eller på bare fødder.

For betjening: Hold trimmeren med begge hænder; den ene hånd på det bageste håndtag og den anden på det forreste hjælpehåndtag. Armen skal være strakt (fig. M). Kontrollér så, at du er i balance, står oprejst og i korrekt trimmeafstand.

BEMÆRK: Trimmerens hoved skal være parallelt med jorden i korrekt trimmeafstand, uden at operatøren læner sig fremover.

START / STOP AF GRÆSTRIMMER

Start

Tryk ned på låseknappen, og tryk derefter på startknappen. Forskellige tryk på startknappen giver forskellige rotationshastigheder for trimmersnoren. Jo større tryk, jo højere hastighed.

Stop

Slip låseknop og startknop.

BEMÆRK: Motoren kører kun, når låseknappen og startknappen begge er trykket ned.

⚠ ADVARSEL: Fjern altid batteripakken fra græstrimmeren under pauser, og når arbejdet er slut.

BRUG AF GRÆSTRIMMER

⚠ ADVARSEL: For at undgå alvorlig personskade bæres altid beskyttelsesbriller eller sikkerhedsbriller, når denne enhed betjenes. Brug en ansigtsmaske eller støvmaske, hvor der er støvet.

Ryd området, hvor der skal trimmes, før hver brug. Fjern alle genstande, såsom sten, glasskår, søm, tråd, eller linje, der kan slynges eller blive viklet ind i trimmerdelen. Få børn, tilskuere og kæledyr væk fra området. Hold alle børn, omkringstående og kæledyr mindst 15 m væk. Tilskuere kan stadig være i fare for at blive ramt af genstande, der slynges ud. Omkringstående bør opfordres til at bære øjenbeskyttelse. Hvis nogen nærmer sig, så stop straks motoren og trimmerdelen.

Før hver anvendelse undersøges for skader / slidte dele

Tjek fjederhoved, kappe og fronthjælpehåndtag, og udskift de dele, der er revnede, skævede, bøjedede eller beskadigede på nogen måde.

Snorkniven på kanten af kappen bliver med tiden sløv. Det anbefales regelmæssigt at slibe den med en fil eller udskifte den med en ny kniv.

⚠ ADVARSEL: Brug altid handsker ved montering af kappe eller ved udførelse af service på kniven. Vær forsigtig med kniven på kappen, og beskyt din hånd mod at blive skåret.

Efter hver brug rengøres trimmeren.

⚠ FORSIGTIG: Forhindringer i ventilationsåbningerne forhindrer luften i at komme ind i motorhuset og forårsager overophedning eller beskadigelse af motoren.

FORSIGTIG: Forhindringer i ventilationsåbningerne

forhindrer luften i at komme ind i motorhuset og forårsager overophedning eller beskadigelse af motoren.

- Hold altid lufthuller i motorhuset og skaffet fri for snavs og skidt

⚠ ADVARSEL: Brug aldrig vand til rengøring af din trimmer. Undgå at bruge opløsningsmidler ved rengøring af plastdele. De fleste plastmaterialer risikerer at blive ødelagt ved brug af forskellige typer af alment tilgængelige opløsningsmidler. Brug rene klude til at fjerne snavs, støv, olie, fedt osv.

TIPS TIL BEDSTE TRIMMERESULTATER (FIG. N)

- Den korrekte vinkel for skæreanordning er parallel med jorden.
- Tving ikke trimmeren. Lad selve spidsen af snoren udføre trimningen (særligt langs mure). Hvis der trimmes med mere end spidsen, vil det reducere trimmerens effektivitet og kan overbelaste motoren.
- Trimmehøjden bestemmes af afstanden mellem trimmersnoren og græsplænen overflade.
- Græs, der er højere end 20 cm, bør trimmes ved at arbejde sig fra toppen og nedad i mindre bidder for at undgå unødigt slitage på snor eller motormodstand.
- Flyt trimmeren langsomt ind og ud af området, der skal trimmes, og hold trimmerhovedet fast i den ønskede trimmehøjde. Denne bevægelse kan enten være bevægelse frem og tilbage eller bevægelse fra side til side. Ved at trimme små bidder ad gangen fås de bedste resultater.
- Trim kun, når græs og ukrudt er tørt.
- Tråd og stakitter kan slide ekstra på snoren eller få den til at knække. Sten og mure, kantsten og træ kan slide meget på snoren.
- Undgå træer og buske. Træers bark, træprofiler, beklædning og hegnspæle beskadiges nemt af snoren.

Beskrivelse af dele i fig. N, se nedenfor:

N-1	Bedste trimmeområde	N-2	Farligt trimmeområde
-----	---------------------	-----	----------------------

JUSTERING AF TRIMMERSNORENS LÆNGDE

Trimmeren giver operatøren mulighed for at frigive mere trimmersnor uden at stoppe motoren. Efterhånden som snoren bliver flosset eller slidt, kan man frigive ekstra snor ved at trykke fjederhovedet let mod jorden, mens trimmeren kører (Se fig. O).

BEMÆRK: Frigivelse af snor bliver vanskeligere, når trimmersnoren bliver kortere.

⚠ ADVARSEL: Du må ikke fjerne snorkniven eller ændre på den enhed, hvor den sidder. For lang snor

vil få motoren til at overophede og kan give i alvorlige personskader.

UDSKIFTNING AF SNOR

BEMÆRK: Brug altid den anbefalede trimmersnor af nylon med en diameter ikke over 2,4 mm. Brug af snor med anden diameter kan medføre, at græstrimmeren bliver overophedet eller beskadiget.

⚠ ADVARSEL: Brug aldrig metalforstærket tråd, wire eller reb osv. Disse kan knække og blive farlige projektiler.

Græstrimmeren er udstyret med et avanceret system, der selv vikler snoren på. Trimmersnoren kan vikles på spolen ved blot at trykke på en enkelt knap. Vikling af en fuld

spole kan normalt gøres på 12 sekunder. Undgå gentagen brug af opviklingssystemet umiddelbart efter hinanden for at mindske risikoen for beskadigelse af motoren.

1. Tag batteriet af.
2. Fjern resterende trimmersnor, hvis nødvendigt. Den trækkes blot ud med hånden.
3. Klip et stykke trimmersnor af i en længde på 4 m. Sæt snoren ind i øjet (fig. P), og skub, indtil snoren kommer ud af det modsatte øje.

Beskrivelse af dele i fig. P, se nedenfor:

P-1	Trimmersnor	P-3	Øje
P-2	Nederste dæksel		

4. Tag batteriet af, hvis det tidligere er blevet sat på græstrimmeren.
5. Træk i snoren fra den anden side, indtil der er lige meget snor på hver side af trimmerhovedet (fig. Q).
6. Sæt batteriet på græstrimmeren. Tryk på knappen til opviklingsmekanismen for at starte opviklingsmotoren. Snoren vikles ind i trimmeren i én arbejdsgang (fig. R).
7. Hold godt øje med længden af den resterende snor. Vær klar til at slippe knappen, når der stikker ca. 18 cm snor ud til hver side. Tryk derefter kortvarigt på knappen til opviklingsmekanismen, indtil der stikker ca. 14 cm snor ud til hver side.
8. Skub trimmerhovedet nedad, mens der trækkes i snorene, for manuelt at trække snor ud og kontrollere om trimmersnoren er korrekt sat i.

BEMÆRK: Hvis snoren ved et uheld trækkes ind i trimmerhovedet, så åbnes hovedet og trimmersnoren

trækkes ud af spolen. Se afsnittet "NY OPVIKLING AF SNOR" i denne vejledning for oplysninger om, hvordan snoren vikles op igen.

NY OPVIKLING AF SNOR

Hvis trimmersnoren knækker ved udgangsjøet, eller hvis snoren ikke frigives, når trimmerens hoved trykkes mod jorden, følges trinene nedenfor for fjernelse af den resterende trimmersnor og ny opvikling af denne.

1. Tryk på de to udløsertappe på trimmerhovedet, og tag trimmerhovedet af ved at trække det lige ud (fig. S-1 og S-2).
2. Tag trimmersnoren af trimmerhovedet, og indsæt fjederen i sprækken i den nederste dækselenhed (Fig. T).
3. Hold trimmeren med den ene hånd, og brug den anden hånd til at gribe om den nederste dækselenhed. Flugt indhakkene i den nederste dækselenhed med udløsertappene. Tryk på den nederste dækselenhed, indtil den klikker på plads med en tydelig kliklyd (fig. U).
4. Følg vejledningen i "UDSKIFTNING AF SNOR", når trimmersnoren skal vikles op igen.

Beskrivelse af dele i fig. S1 og T og U, se nedenfor:

S1-1	Nederste dækselenhed	U-1	Udløsertap
S1-2	Udløsertap	U-2	Indhak
T-1	Fjeder		

UDSKIFTNING AF TRIMMERHOVED

⚠ ADVARSEL: Hvis hovedet løsner sig, efter at det er monteret, skal det straks spændes fast igen. Brug aldrig en trimmer med en løs trimmerdel. Udskift straks et revnet, beskadiget eller slidt trimmerhoved, selv om skaden er begrænset til overfladiske revner. Sådanne påmonteringer kan splintre ved høj hastighed og forårsage alvorlige skader.

Aftagning af trimmerhoved

1. Tag batteriet af græstrimmeren.
2. Tryk på udløsertappene på trimmerhovedet, og tag den nederste dækselenhed af trimmerhovedet ved at trække den lige ud (se fig. S1 og S2).
3. Tag trimmersnoren af trimmerhovedet (fig. V).
4. Tag om nødvendigt fjederen ud af spoleenheden. Gem den, til det hele skal samles igen.
5. Brug handsker. Brug den ene hånd til at gribe om spoleenheden for at stabilisere den, og brug den anden hånd til at holde en slag nøgle til at løse

møtrikken mod uret (fig. W).

6. Tag møtrikken, skiven, spoleenheden og det øverste dæksel af motorakslen (fig. X).
7. Brug låseringstangen til at fjerne låseringen. Tag blæserenheden af (fig. Y).
8. Sæt et nyt trimmerhoved på, og monter det på følgende måde.

Beskrivelse af dele på fig. W og X og Y, se nedenfor:

W-1	Slagnøgle	X-4	Møtrik
X-1	Øverste dæksel	Y-1	Blæserenhed
X-2	Spoleenhed	Y-2	Låsering
X-3	Skive		

Montering af det nye trimmerhoved

1. Flugt kilenoten i blæseren med kilen i motorakslen, og sæt blæserenheden på plads (fig. Z).
2. Monter låsering, øverste dæksel, spoleenhed og skive i den nævnte rækkefølge. Sæt en slagnøgle på møtrikken for at spænde den.
3. Følg vejledningen i afsnittet **“NY OPVIKLING AF SNOR”** for påsætning af den nederste dækselenhed.
4. Følg vejledningen i afsnittet **“UDSKIFTNING AF SNOR”**, når der skal fyldes mere trimmersnor i.
5. Start værktøjet for at se om græstrimmeren fungerer normalt. I modsat fald kontrolleres, at samlingen er sket som beskrevet ovenfor.

Beskrivelse af dele i fig. Z, se nedenfor:

Z-1	Kile	Z-2	Kilenot
-----	------	-----	---------

VEDLIGEHOLDELSE

⚠ ADVARSEL: Ved service må der kun bruges originale reservedele. Efterse og vedligehold apparatet regelmæssigt. For at sikre sikkerhed og pålidelighed skal alle reparationer udføres af en kvalificeret servicetekniker.

⚠ ADVARSEL: Batteridrevne værktøjer behøver ikke at være tilsluttet en stikkontakt, derfor er de altid driftsklar. Tag ekstra forholdsregler og udvis forsigtighed, når du udfører vedligeholdelse, service eller skal ændre trimmertilbehør eller andre påmonteringer.

⚠ ADVARSEL: For at undgå alvorlig personskade fjernes batteripakken fra værktøjet før service, rengøring, udskiftning af påmonteringer, eller før der fjernes materiale fra apparatet.

RENGØRING AF APPARATET

- Rengør apparatet med en fugtig klud med et mildt rengøringsmiddel.
- Brug ikke stærke rengøringsmidler på plasthus eller håndtaget. De kan blive beskadiget af visse aromatiske olier, såsom fyr og citron, og opløsningsmidler såsom petroleum. Fugt kan også give elektrisk stød. Tør fugt af med en blød tør klud.
- Brug en lille børste eller luftafrækket på en lille støvsugerbørste til at rengøre lufthullerne for forhindringer på det bageste hus.

SLIB KNIVEN TIL AFSKÆRING AF SNOR

⚠ ADVARSEL: Beskyt altid dine hænder ved at bruge kraftige handsker, når du udfører vedligeholdelsesarbejde på kniven til afskæring af snor.

1. Tag kniven til afskæring af snor af kappen.
2. Bær passende øjenværn og handsker, og pas på ikke at skære dig.
3. Sæt bladet i en skruestik.
4. Fil forsigtigt skærefladerne på kniven med en fintandet fil eller slibesten. Bevar skærets oprindelige vinkel.
5. Sæt kniven fast på kappen igen med de to skruer.

OPBEVARING AF APPARATET

- Fjern batteripakken fra græstrimmeren, når den ikke er i brug.
- Rengør værktøjet grundigt, før det lægges væk.
- Opbevar apparatet på et tørt og godt ventileret sted, der er låst og utilgængeligt for børn. Opbevar ikke apparatet på eller ved siden af gødning, benzin eller andre kemikalier.

Beskyttelse af miljøet



Smid ikke elektrisk udstyr, batterioplader og batterier / genopladelige batterier i affaldsspanden!

Ifølge EU-direktiv 2012/19/EU og EU-direktiv 2006/66/EF skal henholdsvis elektrisk og elektronisk udstyr, der ikke længere er brugbart, og defekte eller brugte batterier / batteripakker indsamles særskilt.

Hvis elektriske apparater smides på lossepladsen eller affaldsdeponier kan der sive giftige stoffer ned i grundvandet og komme ud i fødekæden og gøre skade på menneskers sundhed og velfærd.

FEJLFINDING

PROBLEM	ÅRSAG	LØSNING
Grastrimmer starter ikke	<ul style="list-style-type: none"> ■ Batteripakken er ikke sat på trimmeren ■ Ingen elektrisk kontakt mellem trimmer og batteri ■ Batteripakken er afladet ■ Låseknappen og startknappen er ikke blevet trykket ned samtidigt. 	<ul style="list-style-type: none"> ■ Sæt batteripakken på trimmeren. ■ Fjern batteriet, kontrollér kontakter, og sæt batteripakken på igen. ■ Oplad batteripakken. ■ Tryk ned på låseknappen ned og hold den, tryk derefter på startknappen for at starte græstrimmeren.
Kniven skærer ikke snoren.	<ul style="list-style-type: none"> ■ Kappen er ikke monteret på trimmeren, hvilket resulterer i en alt for lang trimmersnor og overbelastning af motoren ■ Der anvendes kraftig trimmersnor ■ Motoraksel eller trimmerhoved er fyldt med græs. ■ Motoren er overbelastet. ■ The battery pack or line trimmer is too hot. ■ Batteripakken er taget af værktøjet. ■ Batteripakken er afladet. 	<ul style="list-style-type: none"> ■ Fjern batteripakken, og sæt kappen på trimmeren. ■ Brug anbefalet trimmersnor af nylon med en diameter på højst 2,4 mm. ■ Stop trimmeren, fjern batteriet, og fjern græs fra motoraksel og trimmerhoved. ■ Løft trimmerhovedet op fra græsset. Motoren vil begynde at arbejde igen, så snart belastningen er fjernet. Når der trimmes, flyttes trimmerhovedet ind og ud af græsset, der skal trimmes. Der bør højst fjernes 20 cm ad gangen i et enkelt snit. ■ Lad batteripakke eller trimmer køle indtil temperaturen falder til under 67 °C. ■ Sæt batteripakken på plads igen. ■ Oplad batteripakken.

DK

PROBLEM	ÅRSAG	LØSNING
Trimmer head will not advance line	<ul style="list-style-type: none"> ■ Motoraksel eller trimmerhoved er fyldt med græs. ■ Der er ikke tilstrækkelig snor i spoleholderen. ■ Trimmerhovedet er snavset. ■ Snoren er filtret i spoleholderen. ■ Snoren er for kort. 	<ul style="list-style-type: none"> ■ Stop trimmeren, fjern batteriet, og fjern græs fra motoraksel og trimmerhoved. ■ Fjern batteriet, og udskift snoren; se afsnittet "UDSKIFTNING AF SNOR" i denne vejledning. ■ Tag batteriet af, og rens spolen, spoleholderen og spolebunden. ■ Tag batteriet af, tag snoren af spoleholderen og spol tilbage; se afsnittet "UDSKIFTNING AF SNOR" i denne vejledning. ■ Tag batteriet af og træk i snorene, mens trimmerhovedet skiftevis trykkes ned og slippes.
Grass wraps around trimmer head and motor housing	<ul style="list-style-type: none"> ■ Trimning af højt græs i jordhøjde. 	<ul style="list-style-type: none"> ■ Klip højt græs oppefra og ned, og tag ikke mere end 20 cm hver gang for at forhindre, at græsset snor sig fast.
The blade is not cutting the line.	<ul style="list-style-type: none"> ■ Snorkniven på kanten af kappen er blevet sløv 	<ul style="list-style-type: none"> ■ Slib kniven med en fil eller skift den ud med en ny kniv.
Cracks on the trimmer head or the spool retainer comes loose with spool base.	<ul style="list-style-type: none"> ■ Trimmerhovedet er slidt. 	<ul style="list-style-type: none"> ■ Udskift straks trimmerhovedet; dette udføres af en kvalificeret servicetekniker.
During line replacement, the line can't be loaded into the trimmer head properly.	<ul style="list-style-type: none"> ■ Spoleholderens FYLDE-linjer flugter ikke med øjerne i spolebunden. ■ Snoren er ikke sat korrekt gennem monteringshullet i øjet. 	<ul style="list-style-type: none"> ■ Drej spoleholderen i pilens retning for at flugte FYLDE-linjerne på spoleholderen med de små øjer i spolebunden. ■ Flugt først FYLDE-linjerne med øjerne, og sæt derefter snoren ind monteringshullet inde i øjet.

GARANTI

EGO's GARANTIPOLITIK

Besøg venligst hjemmesiden egopowerplus.com for fuldstændige vilkår og betingelser for EGO's garantipolitik.

LÄS IGENOM ALLA INSTRUKTIONER!



LÄS BRUKSANVISNINGEN

⚠ Kvarstående risker! Personer med elektroniska implantat såsom hjärtstimulatorer bör konsultera sin(a) läkare innan de använder denna produkt. Användning av elutrustning nära en hjärtstimulator kan störa eller avbryta dess funktion.

⚠ VARNING! Alla reparationer bör utföras av en kvalificerad servicetekniker för att upprätthålla produktens säkerhet och driftssäkerhet.

SE

SÄKERHETSSYMBOLER

Syftet med säkerhetssymboler är att fästa din uppmärksamhet på eventuella risker. Säkerhetssymbolerna och deras betydelser bör uppmärksammas noga och förstås. Själva varningssymboler kan dock inte förebygga någon fara. De instruktioner och varningar som de hänvisar till kan aldrig ersätta lämpliga olycksförebyggande åtgärder.

⚠ VARNING! Se till att läsa igenom och förstå alla säkerhetsinstruktioner i bruksanvisningen, inklusive alla varningssymboler såsom **"RISK"**, **"VARNING"** och **"VAR FÖRSIKTIG"**, innan produkten tas i bruk. Underlåtenhet att följa alla nedan angivna instruktioner kan leda till elstöt, brand och/eller svår personskada.

SYMBOLERNAS BETYDELSE

⚠ SÄKERHETSRELATERAD VARNINGSSYMBOL: Betecknar **RISK**, **VARNING** eller **VAR FÖRSIKTIG**. Kan förekomma i samband med andra symboler eller piktogram.

SÄKERHETSINSTRUKTIONER

På denna sida anges säkerhetssymboler som kan förekomma på produkten. Alla instruktioner som anges på enheten bör granskas, förstås och följas innan du försöker montera och använda den.

	Säkerhetsvarning	Indikerar en potentiell risk för personskada.
	Läs igenom bruksanvisningen	För att minska risken för personskador måste användaren läst igenom och förstått bruksanvisningen innan denna produkt används.
	Använd skyddsglasögon!	Använd alltid skyddsglasögon eller säkerhetsglasögon med sidoskydd och en heltäckande ansiktsmask när denna produkt används.
	Använd hörselskydd	Använd alltid bullerskydd (öronproppar eller hörselkåpor) för att skydda din hörsel.
	Skärbredd	Kanttrimmerns högsta skärbredd
	Tråd dia-meter	Diametern på skärtråden av nylon
	Använd skyddshjälm	Använd en godkänd skyddshjälm för att skydda huvudet.
	Använd skyddshandskar	Skydda dina händer med handskar när klingan och klingskyddet hanteras. Kraftiga och halkfria handskar förbättrar ditt grepp och skyddar dina händer.
	Använd skyddsskor	Använd halkfria skyddsskor vid användning av denna utrustning.
	Se upp med klingans slungkraft	Varna operatören för faran med klingans slungkraft.

	Rikoschetter och håll åskådare på avstånd	Utslungade föremål kan rikoschettera och leda till skador på personer eller egendom. Se till att övriga personer och husdjur håller ett säkert avstånd från röjsågen när den används.
	Håll åskådare på avstånd.	Se till att övriga personer och husdjur håller ett avstånd på minst 15 meter från trimmern när den används.
	Ingen rund klinga	Sätt inte in runda klingor.
	Får inte utsättas för regn	Får inte användas vid regn eller lämnas utomhus om det regnar.
	CE	Denna produkt är i enlighet med gällande EG-direktiv.
	WEEE	Förbrukade elektriska produkter får inte kastas i hushållssoporna. Lämna in dem till en auktoriserad återvinningsstation.
	Brus	Garanterad ljudeffektnivå. Bulleremissioner för omgivningen enligt EU-direktivet.
V	Volt	Spanning
	Likström	Stromtyp eller -specifikation
n_0	Obelastad hastighet	Rotationshastighet i obelastat tillstånd
min ⁻¹	Per minut	Rotationer per minut

ALLMÄNNA SÄKERHETSVARNINGAR FÖR MOTORDRIVNA VERKTYG

⚠️ WARNING! Läs igenom alla säkerhetsvarningar, instruktioner, illustrationer och specifikationer som medföljer detta motordrivna verktyg. Underlåtenhet att följa alla instruktioner som listas nedan kan resultera i

elektriska stötar, brand och/eller allvariga personskador.
Spara alla varningar och instruktioner för framtida bruk.

Termen "motordrivet verktyg" i varningar avser ditt strömdrivna (med strömkabel) motordrivna verktyg eller batteridrivna (utan strömkabel) motordrivna verktyg.

SÄKERHET I ARBETSOMRÅDET

- Håll arbetsområdet rent och väl upplyst. Oordnade eller mörka områden kan orsaka olyckor.
- Använd inte motordrivna verktyg i explosiva miljöer som t.ex. i närvaron av brandfarliga vätskor, gaser eller damm. Motordrivna verktyg bildar gnistor som kan antända damm eller ångor.
- Håll barn och åskådare på avstånd när ett motordrivet verktyg används. Distractioner kan få dig att tappa kontrollen.

SE

PERSONLIG SÄKERHET

- **Var uppmärksam och observant samt använd sunt förnuft när du använder ett motordrivet verktyg. Använd inte ett motordrivet verktyg om du är trött eller under påverkan av droger, alkohol eller medicin.** Ett ögonblicks ouppmärksamhet kan leda till allvariga personskador
- **Använd personlig skyddsutrustning. Använd alltid skyddsglasögon.** Om skyddsutrustning som t.ex. ansiktsmask, halkfria skyddsskor, hjälm och hörselskydd används minskas risken för personskador.
- **Förhindra oavsiktlig start. Säkerställ att strömbrytaren är i av-läget innan en strömkälla och/eller batteripackett ansluts, samt när verktyget plockas upp.** Att bära det motordrivna verktyget med fingret på strömbrytaren eller verktyg som är påslagna inbjuder till olyckor.
- **Ta bort alla inställningsverktyg och skruvnycklar innan det motordrivna verktyget slås på.** En skruvnyckel eller ett inställningsverktyg som lämnas på en roterande del av verktyget kan resultera i personskador.
- **Undvik att sträcka ut dig. Håll ett gott fotfäste och balans vid alla tillfällen.** Det ger dig bättre kontroll över det maskindrivna verktyget i oväntade situationer.
- **Använd korrekta kläder. Använd inte löst sittande kläder eller smycken. Håll hår, kläder och handskar borta från de rörliga delarna.** Löst sittande kläder, smycken och långt hår kan fastna i de rörliga delarna.
- **Om enheter för anslutning av dammuppsamlare finns tillgängliga, se till att de är anslutna och används på korrekt sätt.** Användning av dammuppsamlare kan minska dammrelaterade faror.

- **Var alltid uppmärksam vid användning av verktyget, även efter många användningstillfällen, och ignorera inte verktygets säkerhetsprinciper.** En vårdslös handling kan orsaka allvarliga personskador inom bråkdelen av en sekund.

ANVÄNDNING OCH SKÖTSEL AV MOTORDRIVET VERKTYG

- **Forcera inte det motordrivna verktyget. Använd ett korrekt motordrivet verktyg för din tillämpning.** Ett korrekt motordrivet verktyg utför jobbet bättre och säkrare om det används för rätt tillämpning.
- **Använd inte det motordrivna verktyget om strömbrytaren inte kan slås på och av.** Alla motordrivna verktyg som inte kan kontrolleras med strömbrytaren är farliga och måste repareras.
- **Förvara motordrivna verktyg som inte används utom räckhåll för barn och låt inte personer som inte är bekanta med verktyget eller dessa instruktioner att använda det.** Motordrivna verktyg är farliga i händerna på oerfarna användare.
- **Underhåll motordrivna verktyg och tillbehör. Kontrollera efter felinställning eller bindning av rörliga delar, brott på delar och alla andra tillstånd som kan påverka funktionen på det motordrivna verktyget. Om skadad, lämna in det motordrivna verktyget på reparation innan det används.** Många olyckor beror på dåligt underhållna motordrivna verktyg.
- **Håll skärverktygen vassa och rena.** Korrekt underhållna skärverktyg med vassa skärkanter löper mindre risk för att fastna och är lättare att kontrollera.
- **Använd det motordrivna verktyget, tillbehör, insatsverktyg osv. i enlighet med dessa instruktioner och ta hänsyn till arbetsförhållanden och det arbete som ska utföras.** Om det motordrivna verktyget används för andra tillämpningar än det är avsett för kan det resultera i farliga situationer.
- **Håll handtagen och greppytan torra, rena och fria från olja och fett.** Halkiga handtag och greppytor förhindrar säker hantering och kontroll av verktyget vid oväntade situationer.
- **Håll kablar på avstånd från verktygets arbetsområde.** Kablar kan vara dolda under användning av verktyget och oavsiktligt skadas.

ANVÄNDNING OCH SKÖTSEL AV BATTERIDRIVET VERKTYG

- **Ladda endast med laddaren som anges av tillverkaren.** En laddare som är lämplig för en specifik typ av batteripack kan resultera i brand när den används med ett annat batteripack.

- **Använd endast motordrivna verktyg med avsedda batteripack.** Användning av andra batteripack kan orsaka personskador och brand.
- **När batteripacket inte används, håll det borta från metallobjekt som t.ex. pappersgem, mynt, nycklar, spikar, skruvar och andra små metallobjekt som kan bilda en anslutning från en batterikontakt till den andra.** Om batterikontakterna kortsluts kan det orsaka brännskador eller brand.
- **Vid felaktig användning kan vätska tränga ut från batteriet; undvik kontakt med vätskan. Om kontakt inträffar, skölj med vatten. Uppsök dessutom läkare om vätskan får kontakt med ögon.** Vätskan som trängt ut från batteriet kan orsaka irritationer eller brännskador.
- **Använd inte ett batteripack eller verktyg som skadats eller modifierats.** Skadade eller modifierade batterier kan leda till oförutsägbart uppträdande som leder till brand, explosion eller risk för personskador.
- **Utsätt inte batteripacket eller verktyget för eld eller extrema temperaturer.** Exponering av eld eller temperaturer över 100 °C kan orsaka explosion.
- **Följ alla laddningsinstruktioner och ladda inte batteripacket eller verktyget utanför det temperaturområde som anges i instruktionerna.** Felaktig laddning eller vid temperaturer utanför angivet temperaturområde kan skada batteriet och ökar risken för brand.

SERVICE

- **Serva ditt motordrivna verktyg hos en kvalificerad servicetekniker som endast använder identiska utbytesdelar.** Det säkerställer att säkerheten hos det motordrivna verktygets underhålls.
- **Utför aldrig service på skadade batteripack.** Service av batteripack bör endast utföras av tillverkaren eller auktoriserade serviceverkstäder.

⚠ WARNING: Läs igenom alla säkerhetsvarningar, instruktioner, illustrationer och specifikationer som medföljer detta motordrivna verktyg. Underlåtenhet att följa alla instruktioner som listas nedan kan resultera i elektriska stötar, brand och/eller allvariga personskador. Spara alla varningar och instruktioner för framtida bruk.
Spara alla varningar och instruktioner för framtida bruk.

UTBILDNING

- **Läs igenom instruktionerna noga.** Bekanta dig med kontrollerna och korrekt användning av maskinen.

- Låt aldrig personer som är obekanta med dessa instruktioner eller barn använda apparaten. Lokala föreskrifter kan begränsa åldern för användare.
- Kom ihåg att operatören eller användaren är ansvarig för olyckor och faror som drabbar andra personer eller deras egendom.

FÖRBEREDELSE

- Använd aldrig maskinen när personer, i synnerhet barn, eller husdjur är i närheten.
- Använd alltid ögonskydd och kraftiga skor vid användning av maskinen.
- Avståndet mellan maskinen och åskådare måste vara minst 15 meter.
- Använd aldrig maskinen om du är trött, sjuk eller under påverkan av alkohol eller andra droger.

DRIFT

- Använd endast maskinen i dagsljus eller i bra artificiellt ljus.
- Använd aldrig maskinen med skadade skydd eller sköldar, eller utan skydd och sköldar på plats.
- Slå endast på motorn när händer och fötter inte är i närheten av skärenheten.
- Koppla alltid ur maskinen från strömförsörjningen (t.ex. ta bort batteripacket).
 - När maskinen lämnas obevakad.
 - Före en blockering åtgärdas.
 - Före kontroll, rengöring eller arbete utförs på apparaten.
 - Efter att ett främmande objekt träffats.
 - När maskinen börjar vibrera på ett onormalt sätt.
- Var försiktig med fötterna och händerna i närheten av skärenheten.
- Se alltid till att ventilationsöppningarna är fria från skärp.

UNDERHÅLL OCH FÖRVARING

- Koppla ur maskinen från strömförsörjningen (t.ex. ta bort batteripacket) innan underhåll eller rengöring utförs.
- Använd endast utbytesdelar och tillbehör som rekommenderas av tillverkaren.
- Inspektera och underhåll maskinen regelbundet. Överlåt reparation av maskinen till en auktoriserad reparatör.
- Förvara maskinen utom räckhåll för barn när den inte används.

ÖVRIGA SÄKERHETSVARNINGAR

- **Undvik farliga miljöer** – Använd inte apparater i fuktiga eller våta sluttningar.
- **Håll skydden på plats och funktionsdugliga.**
- **Håll händer och fötter borta från röjningsområdet.**
- **För att minska risken för personskador ska du aldrig arbeta från en stege eller annat ostadigt stöd. Håll aldrig skärenheten ovanför midjehöjd.**
- **Kontrollera skärenheten med regelbundna, korta intervall eller omgående om skäregenskaperna förändras märkbart.**
- **För bästa resultat, ladda batteriet på en plats där temperaturen är högre än 5 °C och mindre än 40 °C.** Förvara det inte utomhus eller i ett fordon.
- **Om någon närmar sig, stoppa motorn och skärenheten.**
- **Varna operatören för faran med klingans slungkraft (enbart vid användning av 3-tandad klinga).**
 - Klingans slungkraft kan uppträda när den roterande klingan kommer i kontakt med ett föremål, som den inte skär omedelbart.
 - Klingans slungkraft kan vara tillräckligt våldsamt för att enheten och/eller operatören kastas iväg åt något håll och ev förlorar kontrollen över enheten.
 - Klingans slungkraft kan frigöras utan varning om klingan fastnar, överstegras eller kärvar.
 - Det är mer sannolikt att klingans slungkraft utlöses i områden, där det är svårt att se det material som beskärs.
- **Montera inte någon klinga på en enhet utan att alla erforderliga delar installeras. Underlåtenhet att använda rätta delar kan försaka att klinga lossnar och allvarligt skadar operatören och/eller åskådare. Kassera klingor som är böjda, skeva, spruckna, trasiga eller skadade på något sätt. Använd en vass klinga. Det är mer sannolikt att en slö klinga fastnar och kastar (enbart vid användning av 3-tandad klinga).**
- **Aktiverad klinga/tråd kan orsaka personskada så länge som den fortsätter att rotera sedan motorn stoppats eller avtryckaren släppts upp. Bibehåll ordentlig kontroll ända tills klingan/tråden helt slutat rotera.**
- Använd endast med de batteripack och laddare som listas i bild A.
- **Batteridrivna verktyg behöver inte vara anslutna till ett eluttag och är därför alltid redo för användning.** Var medveten om eventuella faror även när verktyget inte är igång. Var försiktig när du utför underhåll eller service.

- **Tvätta inte av den med en slang; låt inte vatten tränga in i motorn och de elektriska anslutningarna.**
- **Om en situation som inte beskrivs i bruksanvisningen uppstår, använd försiktighet och gott omdöme. Kontakta EGO kundtjänstcenter för hjälp.**

SPARA DESSA INSTRUKTIONER!

SPECIFIKATIONER

Spänning	56 V	
Obelastad hastighet	4000-5800/min	
Skärmekanism	Stöthuvud	
Skärtrådens typ	2,4 mm tvistad nylontråd	
Klippbredd	38 cm	
Rekommenderad drifttemperatur	0°C-40°C	
Rekommenderad förvaringstemperatur	-20°C-70°C	
Vikt(utan batteripack)	3,2 kg	
Uppmätt ljudeffektnivå L_{WA}	92,6 dB(A) K=0,8 dB(A)	
Ljudeffektsnivå vid operator's ear L_{PA}	72,6 dB(A) K=2,5 dB(A)	
Garanterad ljudeffektsnivå L_{WA} (enligt 2000/14/EG)	93 dB(A)	
Vibrationer a_n	Främre hjälphandtag	3,5 m/s ² K=1,5 m/s ²
	Bakre handtag	2,1 m/s ² K=1,5 m/s ²

- Det angivna totalvärdet för vibration är uppmätt enligt standardprovningmetoden och kan användas för att jämföra olika verktyg;
- Det angivna totalvärdet för vibration kan även användas vid preliminär utvärdering av exponering.

OBS! Den verkliga vibrationen under arbete med det eldrivna verktyget kan avvika från det angivna värdet. Användaren bör ha på sig lämpliga handskar och hörselskydd för de aktuella arbetsförhållandena för att skydda sig.

LEVERANSLISTA

ARTIKELNAMN	KVANTITET
Grästrimmer	1
Skydd	1
Komplett främre hjälphandtag	1
Axelrem	1
Sexkantnyckel	1
Bruksanvisning	1
Skärtråd	1

BESKRIVNING

LÄRA KÄNNA DIN TRÅDTRIMMER (bild A)

1. Bakre handtag
2. Avtryckare
3. Låsknapp
4. Justerbart främre hjälphandtag
5. Axelrem
6. Axel
7. Skydd
8. Frigöringsknapp för batteri
9. Spärr
10. Elektriska kontakter
11. Utmatningsmekanism
12. Trimmerhuvud (stöthuvud)
13. Trådutmatningsknapp
14. Skärtråd
15. Frigöringsflik
16. Kniv för trådkapning
17. Sexkantnyckel

MONTERING

⚠ VARNING! Om någon av delarna skadats eller saknas, använd inte denna produkt förrän delarna har bytts ut. Användning av denna produkt med skadade eller saknade delar kan resultera i allvarliga personskador.

⚠ VARNING! Försök inte att modifiera denna produkt eller skapa tillbehör som inte rekommenderas för användning med denna trådtrimmer. Alla sådana ändringar eller modifikationer är felaktig användning och resulterar i farliga förhållanden som kan leda till allvarliga personskador.

⚠ VARNING! För att förhindra oavsiktlig start som kan orsaka allvarliga personskador, ta alltid ut batteripacket från verktyget vid montering av delar.

MONTERA SKYDDET

⚠ VARNING! Använd alltid handskar vid montering eller utbyte av skyddet. Var försiktig med skärbladet på skyddet och skydda din hand.

⚠ VARNING! Använd aldrig verktyget när skyddet inte är korrekt monterat. Skyddet måste alltid vara monterat på verktyget för att skydda användaren! När skyddet är monterat på plats, försök aldrig att ta bort eller justera skyddet. Om det behöver bytas ut så bör det utföras av en behörig servicetekniker!

Rikta in de två bultarna, som är förmonterade på skyddet, med de två skruvhålen på axeln (bild B), och dra sedan åt dem med medföljande sexkantnyckel (bild C).

Se till att skyddet är korrekt monterat i enlighet med bild B och C, all omvänd montering innebär en stor fara!

MONTERA OCH JUSTERA DET FRÄME HANDTAGET

Tryck det främre hjälphandtaget på axeln (bild E) och för sedan in klämblocket i handtaget (bild F), fäst låsstäng och kläm fast på plats med vingmuttern (bild G). Sekvensen visas på bild D. Slutligen, justera det främre hjälphandtaget mellan den mjuka hylsan och etiketten för att säkerställa att din främre arm är rak vid användning av trimmern (bild H) och lås sedan fast spaken på låsstäng (bild I).

Bild D och H se nedan för beskrivning av delar:

D-1	Främre hjälphandtag	D-4	Vingmutter
D-2	Låsstång	H-1	Mjuk hylsa
D-3	Klämblock	H-2	Varningsetikett

OBS! Det främre hjälphandtaget ska riktas uppåt i riktning mot övre delen av det bakre handtaget.

⚠ VARNING! Fäst endast det främre hjälphandtaget mellan den mjuka hylsan och etiketten på axeln.

⚠ VARNING! Verktyget kan inte användas utan att det främre hjälphandtaget är korrekt monterat.

FÄSTA AXELREMMEN

- Lossa och ta bort bulten på axelremmens hake (bild J1 och J2).
- Montera haken på axeln i enlighet med bild J3 och lås den på plats med bulten (bild J4).

⚠ VARNING! Fäst endast remmens hake mellan höljet och den mjuka hylsan på axeln.

ANVÄNDNING

⚠ VARNING! Var aldrig vårdslös, även om du är väl förtrogen med verktyget. Glöm inte att en bråkdel av en sekund av uppmärksamhet är tillräcklig för att orsaka svåra personskador

⚠ VARNING! Använd alltid skyddsglasögon eller säkerhetsglasögon med sidoskydd, tillsammans med hörselskydd. Underlåtenhet att följa detta kan resultera i att objekt slungas in i dina ögon och övriga allvarliga personskador.

⚠ VARNING! Använd inga detaljer eller tillbehör som inte rekommenderas av tillverkaren av denna produkt. Användning av ej rekommenderade detaljer eller tillbehör kan leda till svåra personskador.

⚠ VARNING! För att förhindra eventuella allvarliga personskador, ta bort batteripacket från verktyget före service, rengöring, utbyte av tillsatser eller vid borttagning av material från enheten.

Du kan använda denna produkt för de tillämpningar som listas nedan:

Trimning: Används för att ta bort gräs och ogräs mot väggar, staket, träd och kanter.

Beskärning: Används för att kapa gräs som är svårt att komma åt med en vanlig gräsklippare.

OBS! Verktyget får endast användas för sitt avsedda ändamål. All annan användning, t.ex. häcktrimning, anses vara en felaktig användning.

MONTERA/TA BORT PATERIPACKET

OBS! För bättre balans vid användning av BA3360/BA4200/BA4200T/BA5600T-batterier, använd tillsammans med ryggsäcksselen (BH1000).

Ladda fullt före första användning.

Montera

Rikta in batteriupphöjningen med monteringskåror och tryck ned batteripacket tills du hör ett klick (bild K2).

Ta bort

Tryck in batteriets frigöringsknapp och dra ut batteripacket i enlighet med bild L.

Bild K1 och K2 se nedan för beskrivning av delar:

K-1	Batteripack BA3360/BA4200 /BA4200T/ BA5600T	K-4	Spärr
-----	--	-----	-------

K-2	Adapter	K-5	Monteringsškåra för batteri
K-3	Ryggsäckssele		

HÅLLA TRÅDTRIMMERN

⚠ VARNING! Använd korrekta kläder för att minska risken för personsador vid användning av detta verktyg. Använd inte löst sittande kläder eller smycken. Använd ögon- och öron-/hörselskydd. Använd rejäla långbyxor, kängor och handskar. Använd inte shorts, sandaler eller gå barfota.

Före användning, håll trimmern med båda händer, ena handen på det bakre handtaget och den andra på det främre hjälphandtaget där armen ska hållas rak (bild M). Se sedan till att du har ett välbalanserat fotfäste och ett korrekt skäravstånd.

OBS! Trimmerhuvudet är parallellt till marken med ett korrekt skäravstånd utan att användaren måste luta kroppen.

STARTA/STOPPA TRÅDTRIMMERN

Starta

Tryck in låsknappen och tryck sedan in avtryckaren. Skärträdens variabla rotationshastighet beror på hur mycket avtryckaren trycks in. Mer tryck, högre hastighet.

Stoppa

Släpp upp låsknappen och avtryckaren.

OBS! Motorn körs endast när både låsknappen och avtryckaren hålls in.

⚠ VARNING! Ta alltid ut batteripacket ur trådtrimmern vid arbetspauser och efter att du har jobbat klart.

ANVÄNDA TRÅDTRIMMERN

⚠ VARNING! Använd alltid skyddsglasögon eller skyddsglasögon med sidoskydd under arbetet med verktyget. Använd även ett ansiktsskydd eller dammask i dammiga miljöer.

Städa arbetsområdet före varje användning. Avlägsna alla föremål såsom stenar, glasskärvor, spikar, metalltråd eller snöre som kan slungas ut eller fastna i trimmerhuvudet. Håll barn, obehöriga och husdjur borta. Håll dem på minst 30m avstånd; risk pga utslungade föremål kan förekomma. Det rekommenderas att närvarande människor ska ha på sig skyddsglasögon. Om någon närmar sig arbetsområdet, stäng omedelbart av motorn och trimmerhuvudet.

Kontrollera maskinen för skada/nötta detaljer före varje användning

Kontrollera trimmerhuvudet, skyddet och det främre hjälphandtaget och byt ut spruckna, skeva, böjda eller annars skadade detaljer.

Trådkniven på skyddets kant kan bli slö med tiden. Det rekommenderas att slipa den periodiskt eller byta ut den mot en ny kniv.

⚠ VARNING! Använd alltid handskar vid montering av skyddet eller service av knivbladet. Var försiktig med knivbladet och skyddet så att du inte skär dig i handen. Rengör trimmern efter varje användning.

⚠ FÖRSIKTIGHET! Tilltappningar i luftöppningarna hindrar luftflöde i motorhöljet och kan leda till överhettning av eller skada på motorn.

Verktyget får endast rengöras med mild tvål och en fuktig trasa. Ingen vätska får tränga in i verktyget; ingen detalj av verktyget får placeras i någon vätska.

- Se alltid till att luftöppningarna i skaflet är fria från skräp.

⚠ VARNING! Använd aldrig vatten för att rengöra din trimmer. Använd inte lösningsmedel när du rengör plastdelarna. De flesta plaster är känsliga för skador från olika typer av kommersiella lösningsmedel. Använd rena trasor för att ta bort smuts, damm, olja, fett osv.

TIPS FÖR BÄSTA TRIMNINGRESULTAT (BILD N)

- Den korrekta vinkeln för skärtiltsatser är parallell med marken.
- Forcera inte trimmern. Låt den yttersta delen av tråden ta hand om skämningen (särskilt vid väggar). Om du skär med mer än trädens yttersta del kommer skärprestandan att minska och motorn kan överbelastas.
- Skärhöjden fastställs av avståndet från skärtråden till gräsytan.
- Gräs som är över 20 cm bör klippas genom att arbeta från toppen till marken i små steg för att undvika för tidigt trådslitage eller motormotstånd.
- För långsamt trimmern in och ut ur området som ska klippas, och håll skärhuvudets läge i önskad klipp höjd. Denna rörelse kan vara antingen framåt och bakåt eller sida till sida. Klipp med korta svep för bästa resultat.
- Klipp endast när gräset och ogräset är torrt.
- Ståltråd och staket kan orsaka extra slitage på tråden eller att den går av. Stenar och tegelmurar, trottoarer och träd kan snabbt nöta ner tråden.
- Undvik träd och buskar. Träbark, trälistor, ytterväggar och staketstolpar skadar oftast tråden direkt.

Bild N se nedan för beskrivning av delar:

N-1	Bästa skärömråde	N-2	Farligt skärömråde
-----	------------------	-----	--------------------

JUSTERA SKÄRRÅDENS LÄNGD

Trimmerhuvudet låter användaren frigöra mer skärtråd utan att stoppa motorn. När tråden blir fransig eller sliten kan ytterligare tråd frigöras genom att lätt trycka spolhållaren mot marken när trimmern är igång (bild O).

OBS! Tråden blir svårare att mata ut i takt med att skärtråden blir kortare.

⚠ WARNING! Försök aldrig att avlägsna eller modifiera trådkniven. För lång skärtråd orsakar överhettning av motorn och kan leda till svåra personskador.

BYTA UT TRÅDEN

OBS! Använd alltid rekommenderad nylontråd med en diameter som inte överstiger 2,4 mm. Om en annan tråd än den som anges används kan det skada eller överhätta trimmern.

⚠ WARNING! Använd aldrig metallförstärkt lina, tråd, rep osv. Dessa kan lossna och bli farliga projektiler som slungas iväg.

Kanttrimmern har ett avancerat och automatiskt inlindningssystem. Skärtråden kan enkelt lindas in i spolen genom att trycka på en knapp. Att ladda en full spole kan vanligtvis slutföras på tolv sekunder. Undvik att använda inlindningssystemet upprepade gånger inom kort tid för att minska risken för motorskada.

1. Ta bort batteripacket.
2. Ta bort återstående skärtråd om nödvändigt. Dra bara ut den för hand.
3. Skär en del av skärtråden fyra meter lång. För in tråden i öglan (bild P) och tryck sedan in tråden tills änden kommer ut genom den motsatta öglan.

Bild P se nedan för beskrivning av delar:

P-1	Skärtråd	P-3	Ögla
P-2	Nedre skydd		

4. Ta bort batteriet om det har monterats till trimmern under föregående steg.
5. Dra ut tråden från den andra sidan tills samma längd förekommer på båda sidor av trimmerhuvudet (bild Q).
6. Installera batteripacket på grästrimern. Tryck in och håll ner inlindningsknappen för att starta motorn för trådinlindning. Tråden kommer kontinuerligt att lindas in i trimmerhuvudet (bild R).
7. Kontrollera återstående trådlängd noggrant. Var

beredd på att släppa upp knappen när cirka 18 cm tråd återstår på vardera sida. Tryck snabbt på trådinlindningsknappen för att justera längden tills 14 cm av tråden visas på vardera sida.

8. Tryck ner trimmerhuvudet medan du drar ut trådarna manuellt för att mata ut mer tråd för en korrekt montering av skärtråden.

OBS! Om hela tråden oavsiktligt dras in i trimmerhuvudet, öppna trimmerhuvudet och dra ut skärtråden från spolen. Följ avsnittet "LADDA OM SKÄRRÅD" i denna bruksanvisning för att ladda om tråden.

LADDA OM SKÄRRÅD

När skärtråden går av från trådutgången eller om skärtråden inte frigörs när trimmerhuvudet trycks mot marken, följ stegen nedan för att ta bort återstående skärtråd och ladda om tråden.

1. Tryck på de två frigöringsflikarna på trimmerhuvudet och ta bort trimmerhuvudet genom att dra det rakt ut (bild S-1 och S-2).
2. Ta bort skärtråden från trimmerhuvudet och för in fjädern i skåran på den nedre skyddsmonteringen (bild T).
3. Med en hand som håller fast trimmern, använd den andra handen för att ta tag i den nedre skyddsmonteringen och rikta in skåroma på den nedre skyddsmonteringen med frigöringsflikarna. Tryck fast den nedre skyddsmonteringen tills den klickar på plats, vilket indikeras av ett distinkt klickjud (bild U).
4. Följ instruktionerna i "BYTA UT TRÅDEN" för att ladda om skärtråden.

Bild S1, T och U se nedan för beskrivning av delar:

S1-1	Nedre skyddsmontering	U-1	Frigöringsflik
S1-2	Frigöringsflik	U-2	Skåra
T-1	Fjäder		

BYTA UT TRIMMERHUVUD

⚠ WARNING! Om huvudet lossnar efter att det monterats på plats, byt omedelbart ut det. Använd aldrig en trimmer med en lös skärenhet. Byt omedelbart ut ett skärhuvud som spruckit, skadats eller slitits ut, även om skadan är begränsad till yttliga sprickor. Dessa tillsatser kan splittras vid höga hastigheter och orsaka allvarliga personskador.

Ta bort trimmerhuvud

1. Ta bort batteripacket från kanttrimmern.
2. Tryck in frigöringsflikarna på trimmerhuvudet och ta bort den nedre skyddsmonteringen på trimmerhuvudet genom att dra den rakt ut (se bild S1 och S2).
3. Ta bort skärtråden från trimmerhuvudet (bild V).

- Ta ut fjädern ur spolenheten om nödvändigt. Spara den för återmontering.
- Använd handskar. Använd ena handen för att stabilisera spolenheten och den andra handen för att hålla en slagnyckel för att lossa på muttern i motsols riktning (bild W).
- Ta bort muttern, brickan, spolenheten och övre skyddet från motoraxeln (bild X).
- Använd en låsringstång för att ta bort låsringen. Ta bort fläktenheten (bild Y).
- Byt ut mot ett nytt trimmerhuvud och montera det i följande steg.

Bild W, X och Y se nedan för beskrivning av delar:

W-1	Slagnyckel	X-4	Mutter
X-1	Övre skydd	Y-1	Fläktenhet
X-2	Spolenhet	Y-2	Låsring
X-3	Bricka		

Installera det nya trimmerhuvudet

- Rikta in nyckelhålet till fläktenheten med räffla på motoraxeln och montera fläktenheten på plats (bild Z).
- Montera låsringen, övre skyddet, spolenheten och brickan (i den ordningen). Använd en slagnyckel för att dra åt muttern.
- Följ instruktionerna i avsnittet **“LADDA OM SKÄRTRÅD”** för att montera den nedre skyddsmonteringen.
- Följ instruktionerna i avsnittet **“BYTA UT TRÅDEN”** i denna bruksanvisning för att ladda om skärtråden.
- Starta verktyget för att kontrollera att kantrimmern fungerar normalt. Om den inte gör det, montera ihop den igen enligt beskrivningarna ovan.

Bild Z se nedan för beskrivning av delar:

Z-1	Räffla	Z-2	Nyckelhål
-----	--------	-----	-----------

UNDERHÅLL

⚠ VARNING! Använd endast identiska reservdelar vid service. Användning av andra detaljer kan leda till risker eller skada på produkten. Granska maskinen och utför underhåll regelbundet. Alla reparationer bör utföras av en kvalificerad servicetekniker för att upprätthålla säkerhet och driftsäkerhet.

⚠ VARNING! Batteridrivna verktyg behöver inte anslutas till ett uttag; därför är de alltid användningsklara. Var särskilt försiktig och noggrann vid underhåll eller service eller vid byte av skärenheten eller andra enheter för att förebygga svåra personsador.

⚠ VARNING! Ta ut batteripacket ur verktyget före service, rengöring eller byte av tillbehör eller innan du

rensar maskinen från avklippt material för att förebygga svåra personsador.

RENGÖRING AV MASKINEN

- Rengör maskinen med en fuktig trasa och mildt rengöringsmedel.
- Använd inga starka rengöringsmedel på plasthöljet eller handtaget. Dessa är känsliga mot vissa eteriska oljor såsom tall och citron samt lösningsmedel såsom fotogen. Även fukt kan medföra risk för elstöt. Torka av eventuell fukt med en mjuk, torr trasa.
- Rengör luftföppningarna i skaffet med hjälp av en liten borste eller utblås av en liten handdammsugare.

VÄSSA KNIVEN FÖR TRÅDKAPNING

⚠ VARNING! Skydda alltid dina händer genom att bära kraftiga handskar vid allt underhåll av kniven för trådkapning.

- Ta bort kniven för trådkapning från skyddet.
- Använd lämpligt ögonskydd och handskar och var försiktig så att du inte skär dig.
- Säkerställ knivbladet i ett städ.
- Fila försiktigt kniveggarna med en finkördning fil eller slipsten, och bibehåll den ursprungliga skärvinkeln för kniveggen.
- Montera tillbaka knivbladet på skyddet och fäst det på plats med de två skruvarna.

FÖRVARA ENHETEN

- Ta ut batteripacket ur grästrimmern när maskinen inte används.
- Rengör maskinen noggrant innan den ställs av.
- Förvara maskinen i ett torrt, väl ventilerat, låst eller högt beläget ställe, oåtkomligt för barn. Maskinen får inte förvaras på eller nära konstgödsel, bensin eller andra kemikalier.

Miljöskydd



Elektriska enheter, batteriladdare och batterier/uppladdningsbara batterier får inte kastas med hushållsavfall!

Enligt det europeiska direktivet 2012/19/EU ska uttjänta elektriska och elektroniska enheter samlas separat; samma gäller för defekta eller uttjänta batteripack/batterier enligt det europeiska direktivet 2006/66/EG.

Om elektriska enheter hamnar i soptippar eller avfallsdepåer kan farliga ämnen läcka ut till grundvattnet, hamna i näringskedjan och skada din hälsa och ditt välmående.

FELSÖKNING

PROBLEM	ORSAK	LÖSNING
Grästrimmern startar inte.	<ul style="list-style-type: none"> ■ Batteripacket är inte anslutet till grastrimmern ■ Elektrisk anslutning mellan trimmern och batteriet saknas. ■ Batteripacket är urladdat. ■ Låsknappen och avtryckaren hålls inte in samtidigt. 	<ul style="list-style-type: none"> ■ Anslut batteripacket till grastrimmern ■ Ta ut batteriet, kontrollera kontakter och satt i batteripacket igen. ■ Ladda batteripacket ■ Tryck in och håll ner låsknappen, tryck sedan in avtryckaren för att slå på kantrimmern.
inte fram ny skartrad.	<ul style="list-style-type: none"> ■ Skyddet är inte monterat på trimmern vilket har lett till för lång trimmertrad och överbelastning av motorn. ■ För tjock trimmertrad används. ■ Gras har fastnat på motorskaftet eller trimmerhuvudet. ■ Motorn är överbelastad. ■ Batteripacket eller trimmern är för varmt. ■ Batteripacket är inte anslutet till verktyget ■ Batteripacket är urladdat. 	<ul style="list-style-type: none"> ■ Ta ut batteripacket och montera skyddet på trimmern. ■ Använd rekommenderad skärtråd av nylon med en diameter som inte överstiger 2,4 mm. ■ Stang av trimmern, ta ut batteriet och rensa motorskaftet och trimmerhuvudet från gras. ■ Lyft upp trimmerhuvud från graset. Motorn fortsätter att kora när belastningen avtar. Flytta trimmerhuvudet in i och ut ur graset som ska klippas och klipp inte mer än 20cm i taget. ■ Lat batteripacket or trimmern svalna ned tills temperaturen är under 67 C. ■ Anslut batteripacket igen. ■ Ladda batteripacket.

SE

PROBLEM	ORSAK	LÖSNING
Trimmer head will not advance line	<ul style="list-style-type: none"> ■ Gras har fastnat på motorskaftet eller trimmerhuvudet ■ Det finns inte tillräckligt med tråd i spolhållaren. ■ Smutsigt trimmerhuvud ■ Tråden har trasslats in i spolhållaren. ■ För kort tråd 	<ul style="list-style-type: none"> ■ Stang av trimmern, ta ut batteriet och rensa motorskaftet och trimmerhuvudet från gras. ■ Ta ut batteriet och montera ny tråd enligt avsnittet "BYTE AV TRIMMERTRÅD" i bruksanvisningen. ■ Ta bort batteriet och rengör spolhållaren och spolenheten. ■ Ta bort batteriet, ta bort tråden från spolhållaren och linda in den igen; följ avsnittet "BYTA UT TRÅDEN" i denna bruksanvisning. ■ Ta bort batteriet och dra ut trådarna medan trimmerhuvudet växelvis trycks ner och släpps upp.
Grass wraps around trimmer head and motor housing	<ul style="list-style-type: none"> ■ Klippning av högt gras vid markniva. 	<ul style="list-style-type: none"> ■ Klipp högt gras i flera etapper, inte mer än 20cm i taget, för att undvika att gras fastnar på maskinen.
The blade is not cutting the line.	<ul style="list-style-type: none"> ■ Trädkniven på skyddets kant är slo. 	<ul style="list-style-type: none"> ■ Slipa trädkniven med en fil eller byt ut den mot en ny kniv.
Cracks on the trimmer head or the spool retainer comes loose with spool base.	<ul style="list-style-type: none"> ■ Trimmerhuvudet är utslitet. 	<ul style="list-style-type: none"> ■ Byt ut trimmerhuvudet omedelbart hos en behörig servicetekniker.
During line replacement, the line can't be loaded into the trimmer head properly.	<ul style="list-style-type: none"> ■ Spolhållarens LADDNINGSTRÅD är inte inriktad efter öglan på spolhållaren. ■ Tråden har inte förts in korrekt i monteringshållet på öglan. 	<ul style="list-style-type: none"> ■ Vrid spolhållaren i pilens riktning för att rikta in LADDNINGSTRÅDEN med öglan på spolenheten. ■ Rikta först in LADDNINGSTRÅDEN med öglorna, för sedan in tråden i monteringshållet i öglan.

GARANTI

GARANTIVILLKOREN AV EGO

Var god besök webbplatsen egopowerplus.com för att se de fullständiga garantivillkoren av EGO.

LUE KAIKKI OHJEET!



LUE KÄYTTÖOPAS

⚠ Jännösriski! Henkilöiden, joilla on elektroniikkalaitteita, kuten sydämentahdistimia, tulee neuvotella lääkärin kanssa ennen tuotteen käyttöä. Sähkölaitteiden käyttö sydämentahdistimen läheisyydessä voi aiheuttaa tahdistimeen häiriöitä tai vikoja.

⚠ VAROITUS: Valtuutetun huoltoteknikon tulee suorittaa kaikki korjaukset ja osien vaihdot, jotta voidaan taata tuotteen turvallinen ja luotettava käyttö.

TURVAMERKIT

Turvamerkkien tavoitteena on kiinnittää huomio mahdollisiin vaaroihin. Sinun tulee lukea huolellisesti käyttöohjeet ja ymmärtää turvamerkit ja niiden selitteet. Turvamerkit eivät itsessään poista vaaraa. Niiden antamat ohjeet ja varoitukset eivät korvaa asianmukaisia tapaturman torjuntatoimenpiteitä.

⚠ VAROITUS: Varmista, että luet ja ymmärrät kaikki tämän käyttäjän käsikirjan turvallisuusohjeet, mukaan lukien kaikki vaaramerkit, kuten "**VAARA**", "**VAROITUS**" ja "**HUOMIO**", ennen kuin käytät työkalua. Alla mainittujen ohjeiden noudattamatta jättäminen voi aiheuttaa sähköiskun, tulipalon ja/tai vakavan henkilövahingon.






MERKIN SISÄLTÖ

⚠ VAROITUSMERKKI: Ilmaisee seuraavia: **VAARA**, **VAROITUS TAI HUOMIO**. Voidaan käyttää yhdessä muiden merkkien tai kuvamerkkien kanssa.

TURVALLISUUSOHJEET

Tällä sivulla esitetään ja kuvataan tähän tuotteeseen mahdollisesti liittyvät turvamerkit. Lue kaikki koneen ohjeet siten, että ymmärrät ne, ja noudata niitä ennen kuin kasaat koneen ja käytät sitä.

	Turvallisuushälytys	Ilmaisee mahdollista henkilövahinkojen vaaraa.
	Läs lgenom Bruksanvisningen	Käyttäjän tulee ennen käytön aloittamista lukea käyttöopas ja ymmärtää se loukkaantumisriskin pienentämiseksi.
	Använd skyddsglasögon!	Käytä aina suojalaseja, joissa on sivusuojat, ja koko kasvot peittävää suojaa, kun käytät laitetta.
	Använd hörselskydd	Käytä aina kuulosuojaimia (korvatulpat tai kupusuojaimet) suojaamassa kuuloasi.
	Leikkausleveys	Siimaleikkurin maks. leikkuuleveys
	Siiman halkaisija	Nylonvalmisteisen leikkusiiman halkaisija
	Käytä suojakypärää	Käytä hyväksytyä suojakypärää suojataksesi pääsi.
	Käytä suojakäsineitä	Käytä suojakäsineitä, kun käsittelet terää tai teränsuojusta. Kestävät, liukumattomat hansikkaat parantavat otetta ja suojaavat käsiäsi.
	Käytä turvajalkineita	Käytä luistamattomia turvajalkineita laitteen käytön aikana.
	Varo terän työntövoimaa	Varoita käyttäjää terän takaiskun vaarallisuudesta.
	Kimpoamisvaara, pidä sivulliset etäällä	Sinkoutuvat esineet voivat kimmota ja aiheuttaa henkilö- tai omaisuusvahingon. Varmista, että muut ihmiset ja lemmikit ovat etäällä, kun pensasleikkuria käytetään.
	Pidä sivulliset etäällä	Varmista, että muut ihmiset ja lemmikit ovat vähintään 15 m päässä siimaleikkurista, kun se on käytössä.
	Ei pyöreää terää	Älä asenna pyöreitä leikkuuteriä.

	Älä altista sateelle	Älä käytä sateella tai jätä ulos sateeseen.
	CE	Tämä tuote vastaa sovellettavia EU-direktiivejä.
	WEEE	Vanhoja sähkölaitteita ei saa hävittää kotitalousjätteen mukana. Vie laite valtuutettuun kierrätyslaitokseen.
	Melu	Taattu äänen tehotaso. Melupäästöt ympäristöön Euroopan yhteisön direktiivin mukaiset.
V	Voltti	Jannite
	Tasavirta	Virran tyyppi tai virtajännite-ominaiskayra
n_0	Tyhjäkäyntinopeus	Pyörimisnopeus, kuormittamattomana
min^{-1}	Pyörintänopeus	Kierrosta minuutissa

YLEISET SÄHKÖTYÖKALUJEN TURVALLISUUSVAROITUKSET

⚠ WARNING: Lue kaikki tämän sähkötyökalun mukana tulleet turvallisuusvaroitukset, ohjeet, piirustukset ja tekniset tiedot. Jos kaikkia alla olevia ohjeita ei noudateta, seurauksena saattaa olla sähköisku, tulipalo ja/tai vakava loukkaantuminen. **Säilytä kaikki varoitukset ja ohjeet myöhempää käyttöä varten.**

Varoituksissa käytetty termi ”sähkötyökalu” tarkoittaa joko verkkovirtakäyttöistä (johdollista) sähkötyökalua tai akkukäyttöistä (johdotonta) sähkötyökalua.

TYÖALUEEN TURVALLISUUS

- Pidä työskentelyalue siistinä ja hyvin valaistuna. Sotkuiset tai hämärät alueet aiheuttavat onnettomuuksia.
- Älä käytä sähkötyökaluja räjähdysriskissä ympäristössä, kuten syttyvien nesteiden, kaasujen tai pölyn läheisyydessä. Sähkötyökalut muodostavat kipinöitä, jotka saattavat sytyttää pölyn tai höyryt.
- Älä päästä lapsia tai sivullisia lähelle, kun käytät sähkötyökaluja. Häiriötekijät voivat aiheuttaa hallinnan menettämisen.

HENKILÖKOHTAINEN TURVALLISUUS

- Ole valpas, tarkkaavainen ja käytä maalaisjärkeä, kun käytät sähkötyökalua. Älä käytä sähkötyökalua, kun olet väsynyt tai kun olet huumeiden, alkoholin tai lääkityksen vaikutuksen

alaisena. Hetkellinenkin huominen herpaantuminen sähkötyökalua käytettäessä saattaa aiheuttaa vakavan henkilökohtaisen vamman.

- **Käytä henkilönsuojaimia. Käytä aina suojalaseja.** Tarvittaessa käytettävät suojavarusteet, kuten hengityssuojain, liukesteelliset turvakengät, suojakypärä tai kuulosuojaimet, vähentävät henkilövahinkoja.
- **Estä vahingossa käynnistyminen. Varmista, että kytkin on off-asennossa, ennen kuin liität virtalähteen ja/tai akun, nosta laitteen tai kannat sitä.** Sähkötyökalujen kantaminen niin, että sormesi on kytkimellä, tai sähkötyökaluihin virran kytkeminen kytkin päällä voi aiheuttaa onnettomuuksia.
- **Poista kaikki säätöön käytetyt avaimet tai kiintoavaimet ennen kuin käynnistät sähkötyökalun.** Sähkötyökalun pyöriivään osaan jätetty avain tai kiintoavain saattaa aiheuttaa henkilövamman.
- **Älä kurkuttele. Säilytä aina tukeva asento ja hyvä tasapaino.** Näin hallitset sähkötyökalun parhaalla mahdollisella tavalla odottamattomissa tilanteissa.
- **Pukeudu asianmukaisesti. Älä käytä väljiä vaatteita tai koruja. Pidä hiuksesi, vaatteesi ja käsiinesi poissa liikkuvien osien läheltä.** Väljät vaatteet, korut tai pitkät hiukset voivat takertua liikkuviin osiin.
- **Jos laitteissa on liitännät pölynpoistolaitteille ja keräilylaitteille, varmista, että ne on liitetty ja niitä käytetään oikein.** Tomulaitteiden käyttö voi vähentää tuomuun liittyviä vaaroja.
- **Älä anna tuotteen tuotteen toistuvan käytön takia tehdä sinua liian itsevarmaksi, äläkä jätä työkalun turvallisuusohjeita noudattamatta.** Huollaton toiminta voi aiheuttaa vakavan henkilövahingon sekunnin murto-osassa.

SÄHKÖTYÖKALUJEN KÄYTTÖ JA YLLÄPITO

- **Älä pakota sähkötyökalua. Käytä omaan käyttöä tarkoitukseesi soveltuvaa sähkötyökalua.** Oikeaa sähkötyökalua käyttämällä teet työn paremmin ja turvallisemmin laitteelle tarkoitettulla teholla.
- **Älä käytä sähkötyökalua, jos sitä ei saa käynnistettyä ja suljettua kytkimellä.** Sähkötyökalun, jota ei voida hallita kytkimellä, käyttö on vaarallista ja laite on korjattava.
- **Säilytä käyttämättömiä sähkötyökaluja lasten ulottumattomissa, äläkä anna henkilöiden, jotka eivät tunne sähkötyökalua tai näitä ohjeita, käyttää sähkötyökalun.** Sähkötyökalut ovat vaarallisia kokemattomien käyttäjien käsissä.

- **Huolla sähkötyökalut ja lisävarusteet.** Tarkista, että liikkuvat osat ovat kunnolla paikallaan, että osat ovat ehjiä, ja että sähkötyökalussa ei ole muita ongelmia, jotka saattaisivat vaikuttaa sen toimintaan. Jos sähkötyökalu on vahingoittunut, korjauta se ennen käyttöä. Monet onnettomuudet johtuvat huonosti ylläpidetyistä sähkötyökaluista.
- **Pidä leikkuutyökalut terävinä ja puhtaina.** Hyvin huolletut leikkaustyökalut, joissa on terävät reunat, eivät todennäköisesti jumiudu ja niitä on helpompi hallita.
- **Käytä sähkötyökaluja, lisävarusteita ja teriä yms. näiden ohjeiden mukaisesti ja niin, että otat huomioon käyttöolosuhteet ja tehtävän työn.** Sähkötyökalujen käyttö muihin kuin niille suunniteltuihin tarkoituksiin saattaa aiheuttaa vaaratilanteen.
- **Pidä kahvat ja tartuntapinnat kuivina, puhtaina, öljyttöminä ja rasvattomina.** Liukkaat kahvat ja tartuntapinnat eivät mahdollista työkalun turvallista käsittelyä ja hallintaa odottamattomissa tilanteissa.
- **Pidä johdot poissa työkalun työskentelyalueelta.** Käytön aikana johdot voivat olla näkymättömissä, jolloin työkalu voi vahingossa katkaista ne.

AKKUTYÖKALUN KÄYTTÖ JA YLLÄPITO

- **Lataa vain valmistajan määritlemällä laturilla.** Tietynlaisen laturin käyttö tietynlaisen akun kanssa saattaa aiheuttaa tulipalon riskin, jos sitä käytetään toisenlaisen akun kanssa.
- **Käytä sähkötyökaluja vain niille erikseen määriteltujen akkujen kanssa.** Muunlaisten akkujen käyttö saattaa aiheuttaa vamma- tai tulipaloriskin.
- **Kun akku ei ole käytössä, pidä se erillään metalliesineistä, kuten paperiliittimet, kolikot, avaimet, naulat, ruuvit ja muut pienet metalliesineet, jotka voivat yhdistää akun navat toisiinsa.** Akun napojen oikosulku voi aiheuttaa palovammoja tai tulipalon.
- **Akusta voi valua nestettä väärästä käytöstä johtuen. Vältä kosketusta nesteeseen.** Jos kosket nesteeseen vahingossa, huuhtelee vedellä. Jos nestettä pääsee silmiin, hakeudu lääkärin hoitoon. Akusta valuva neste voi aiheuttaa ärsytystä tai palovammoja.
- **Älä käytä akkua tai työkalua, joka on vaurioitunut tai jota on muutettu.** Vaurioituneet tai muutetut akut voivat käyttäytyä arvaamattomasti ja aiheuttaa tulipalon, räjähdyksen tai henkilövahingon vaaran.
- **Älä altista akkua tai työkalua tullelle tai äärimmäisille lämpötiloille.** Altistaminen yli 100 °C:n lämpötilalle voi aiheuttaa räjähdyksen.

- **Noudata kaikkia latausohjeita.** Älä lataa akkua tai työkalua lämpötilassa, joka ole ohjeissa ilmoitetun lämpötila-alueen sisällä. Virheellinen lataaminen tai lataaminen ilmoitetun lämpötila-alueen ulkopuolella olevassa lämpötilassa voi vaurioittaa akkua ja lisätä palovaaraa.

HUOLTO

- **Huollata sähkötyökalusi asiantuntevalla korjaajalla, joka käyttää vain identtisiä varaosia.** Näin taataan sähkötyökalun turvallisuuden säilyminen.
- **Älä koskaan huolla vaurioituneita akkuja.** Akkujen huollon saa tehdä vain valmistaja tai sen valtuuttamat huoltoliikkeet.

⚠ VAROITUS: Lue kaikki tämän sähkötyökalun mukana tulleet turvallisuusvaroitukset, ohjeet, piirustukset ja tekniset tiedot. Jos kaikkia alla olevia ohjeita ei noudateta, seurauksena saattaa olla sähköisku, tulipalo ja/tai vakava loukkaantuminen. Säilytä kaikki varoitukset ja ohjeet myöhempiä käyttöä varten. Säilytä kaikki varoitukset ja ohjeet myöhempiä käyttöä varten.

FI

OPETTELU

- Lue ohjeet huolellisesti. Tutustu säätimiin ja koneen oikeaan käyttöön.
- Älä anna ohjeisiin perehtymättömien henkilöiden tai lasten käyttää laitetta. Paikalliset määräykset saattavat rajoittaa käyttäjän ikää.
- Muista, että käyttäjä on vastuussa onnettomuuksista tai vaaratilanteista, jotka kohdistuvat sivullisiin tai omaisuuteen.

VALMISTELU

- Älä ikinä käytä laitetta, kun lähellä on ihmisiä, erityisesti lapsia, tai lemmikkieläimiä.
- Käytä aina silmäsuojaimia ja suojaavia kenkiä, kun käytät laitetta.
- Laitteen ja sivullisten välillä tulisi olla vähintään 15 metrin etäisyys.
- Älä käytä konetta, jos olet väsynyt, sairastunut alkoholiin tai lääkkeiden vaikutuksen alaisena.

KÄYTTÄMINEN

- Käytä laitetta vain päivänvalossa tai hyvässä keinovalaisuksessa.
- Älä ikinä käytä laitetta, jonka suojat tai suojukset ovat vahingoittuneet tai jossa ei ole lainkaan suojaia tai suojuksia.
- Käynnistä moottori vasta silloin, kun kädet ja jalat ovat

etäällä leikkaavista osista.

- Irrota siimaleikkuri aina virtalähteestä (eli irrota akku).
 - kun jätät laitteen vartioimatta;
 - ennen kuin puhdistat tukoksen;
 - ennen kuin tarkistat tai puhdistat laitteen tai teet sille jotain muuta;
 - kun olet osunut vieraaseen esineeseen;
 - kun laite alkaa väristä epänormaalisti.
- Varo, etteivät kätesi tai jalkasi vahingoitu leikkuuteristä.
- Varmista, että tuuletusaukot ovat aina puhtaat roskista.

KUNNOSSAPITO JA SÄILYTYKSET

- Irrota kone aina virtalähteestä (eli irrota akku) ennen kunnossapitotoimenpiteitä tai puhdistamista.
- Käytä vain valmistajan suosittelemia varaosia ja lisävarusteita.
- Tarkasta laite ja kunnossapidä sitä säännöllisesti. Anna vain valtuutettujen korjaajien korjata laite.
- Kun laite ei ole käytössä, säilytä sitä lasten ulottumattomissa.

MUUT TURVALLISUUSVAROITUKSET

- **Vältä vaarallisia olosuhteita** – älä käytä laitteita kosteissa tai märissä rinteissä.
- **Pidä suojukset paikallaan ja toimintakuntoisina.**
- **Pidä kätesi ja jalkasi etäällä leikkuualueesta.**
- **Älä koskaan työskentele tikkailla tai muilla epävakailta alustoilla henkilövahinkojen vaaran välttämiseksi. Älä ikinä pidä leikkuuterää vyötärötasoa korkeammalla.**
- **Tarkasta leikkuuterä säännöllisin väliajoin käytön aikana tai heti, jos laitteen leikkuuteho muuttuu merkittävästi.**
- **Parhaan tuloksen saat, kun akku ladataan tilassa, jonka lämpötila on yli 5 °C, mutta alle 40 °C.** Älä säilytä ulkona tai ajoneuvoissa.
- **Jos joku lähestyy sinua, sammuta moottori ja leikkuulaite.**
- **Varoita käyttäjää terän takapotkun aiheuttamasta vaarasta (vain käytettäessä 3-hampaista terää).**
 - Takapotku saattaa tapahtua, kun pyörivä terä osuu kohteeseen, joka ei heti katkea.
 - Terän takapotku voi olla niin voimakas, että laite ja/ tai käyttäjä lennähtävät mihin tahansa suuntaan ja käyttäjä voi menettää laitteen hallinnan.
 - Terän takapotku tapahtuu ilman varoitusta, jos terä jää kiinni ja pysähtyy.
 - Takapotku tapahtuu usein alueilla, joissa sahattavaa materiaalia on vaikea nähdä.

- **Älä kiinnitä terää laitteeseen, ellei kaikkia tarvittavia osia ole kiinnitetty kunnolla.** Asianmukaisten osien käytön laiminlyönti voi aiheuttaa terän sinkoutumisen irti ja aiheuttaa vakavan henkilövahingon käyttäjälle ja/ tai sivullisille. Hävitä taipuneet, vääntyneet, murtuneet, rikkoutuneet tai muulla tavalla vaurioituneet terät. Käytä terävää terää. Tylsä terä jää kiinni helpommin ja aiheuttaa takapotkun (käytettäessä 3-hampaista terää).
- **Liikkuva terä/siima voi aiheuttaa henkilövahingon, jos se jatkaa pyörimistä moottorin sammuttamisen tai liipaisimen vapauttamisen jälkeen. Pidä työkalu kunnolla hallinnassa, kunnes terä/siima on täysin pysähtynyt**
- Käytä vain kuvassa A lueteltujen akkujen ja latureiden kanssa.
- **Akkutyökaluja ei tarvitse liittää sähköverkkoon. Tästä syystä ne ovat aina käyttökunnossa.** Huomioi mahdolliset vaarat myös silloin, kun työkalu ei ole käynnissä. Ole varovainen tehdesäsi kunnossapito- tai huoltoimenpiteitä.
- **Älä puhdistu letkulla; vältä veden pääsemistä moottoriin ja sähköliitäntöihin.**
- **Jos kohtaat tilanteen, jota ei tässä käyttöoppaassa käsitellä, toimi varoen ja käytä omaa harkintakykyäsi. Pyydä lisäohjeita EGO-asiakaspalvelusta.**

SÄILYTÄ NÄMÄ OHJEET!

MÄÄRITYKSET

Jännite	56 V ---
Tyhjäkäyntinopeus	4000–5800/min
Leikkausmekanismi	Kupupää
Leikkaussiiman tyyppi	2,4mm:n kierresiima nailonista
Leikkausleveys	38 cm
Suosittelu käyttölämpötila	0°C-40°C
Suosittelu säilytyslämpötila	-20°C-70°C
Paino(ilman akkua)	3,2 kg
Mitattu äänen tehotaso L_{WA}	92,6 dB(A) K=0,8 dB(A)
Äänenpainetaso käyttäjän korvaan L_{PA}	72,6 dB(A) K=2,5 dB(A)
Taattu äänitehotaso L_{WA} (direktiivin 2000/14/EY mukaan)	93 dB(A)

Tärinä a _n	Etuapukahva	3,5 m/s ² K=1,5 m/s ²
	Takakahva	2,1 m/s ² K=1,5 m/s ²

- Ilmoitettu tärinän kokonaisarvo on mitattu standardikoemenetelmän mukaan ja sitä voidaan käyttää verrattaessa työkaluja keskenään
- Ilmoitettua tärinän kokonaisarvoa voidaan myös käyttää altistumisen ennakoarvioinnissa.

HUOMAA: Sähkötyökalun todellisen käytön aikana ilmenevä tärinä voi erota työkalun käyttöille ilmoitetusta arvosta. Käyttäjän suojelemiseksi on todellisissa käyttöolosuhteissa käytettävä välineitä ja kuulosuojaimia.

PAKKAUSLUETTELO

OSAN NIMI	MÄÄRÄ
Trimmeri	1
Suojus	1
Tukikahvayksikko	1
Olkahihna	1
Kuusioakloavain	1
Käyttäjän kasikirja	1
Leikkuusiima	1

KUVAUS

TUNNE SIIMALEIKKURISI (kuva A)

- Takakahva
- Liipaisinkytkin
- Lukituksen vapautuspainike
- Säädettävä etuapukahva
- Olkahihna
- Varsi
- Suojus
- Akun vapautuspainike
- Lukko
- Sähköliitännät
- Poistomekanismi
- Trimmeripää (kupupää)
- Siiman latauspainike
- Leikkuusiima
- Vapautusuloke
- Siimaleikkuuterä

17 Kuusioavain

KOKOONPANO

VAROITUS: Jos jokin osa on vahingoittunut tai puuttuu, älä käytä tuotetta ennen kuin osat on vaihdettu. Tuotteen käyttö silloin, kun siinä on vahingoittuneita osia tai osia puuttuu, saattaa aiheuttaa vakavan henkilövamman.

VAROITUS: Älä yritä muokata tätä laitetta tai luoda sille lisävarusteita, joita ei suositella käytettäväksi tämän siimaleikkurin kanssa. Mikä tahansa tällainen muokaus tai muutos on väärinkäytös ja saattaa aiheuttaa vaarallisen tilan, joka saattaa johtaa vakavaan henkilövammaan.

VAROITUS: Poista akku työkalusta aina, kun kokoat osia. Näin varmistat, ettei laite käynnisty vahingossa eikä aiheuta vakavia henkilövahinkoja.

SUOJUKSEN KIINNITTÄMINEN

VAROITUS: Käytä aina hansikkaita, kun kiinnität tai vaihdat suojaa. Huolehdi, että suojan terä ei leikkaa käsiäsi.

VAROITUS: Älä koskaan käytä työkalua ilman, että suoja on kunnolla paikallaan. Suojan on aina oltava työkalussa käyttäjän suojaamiseksi! Kun suoja on kiinnitetty, älä koskaan poista tai säädä sitä. Jos suojan vaihtaminen on tarpeen, vain asiantunteva huoltoteknikko voi vaihtaa sen!

Kohdista kaksi suojaan esiasennettua pulttia kahteen ruuviinreikään varressa (kuva B) ja kiristä ne mukana tulevalla kuusioavaimella (kuva C).

Varmista, että suoja on paikallaan kuvien B ja C mukaisesti, käänteinen kiinnitys aiheuttaa suuren vaaran!

EDESSÄ OLEVAN APUKAHAVAN KIINNITYS JA SÄÄTÄMINEN

Työnnä etuapukahva varteen (kuva E) ja laita sitten kiristystuki kahva-aukkoon (kuva F), kiinnitä lukitusvipu ja kiristyslukko siipimutterilla (kuva G). Järjestys näytetään kuvassa D. Säädä viimeiseksi etuapukahva pehmeän kauluksen ja varoitusmerkinnän väliin. Varmista, että käsivartesi on suorana, kun käytät leikkuria (kuva H) ja lukitse sitten lukitusvipu (kuva I).

Kuvien D ja H osien kuvaukset alla:

D-1	Etuapukahva	D-4	Siipimutteri
D-2	Lukitusvipu	H-1	Pehmeä kaulus
D-3	Puristuskappale	H-2	Varoitusmerkintä

HUOMAA: Etuapukahva tulee kääntää ylöspäin osoittamaan takakahvan yläosaa kohti.

VAROITUS: Kiinnitä etuapukahva vain pehmeän kauluksen ja varren varoitusmerkinnän väliin.

VAROITUS: Työkalua ei voi käyttää ilman, että etuapukahva on kiinnitetty turvallisesti.

OLKAHIHINAN KIINNITYS

1. Löysää ja irrota pultti hihnan koukusta (kuvat J1 ja J2).
2. Kiinnitä koukku varteen, kuten kuvassa J3 ja lukitse pultilla (kuva J4).

VAROITUS: Kiinnitä hihnan koukku vain rungon ja varren pehmeän kauluksen väliin.

FI

KÄYTTÖ

VAROITUS: Älä anna perehtyneisyyden tuotteeseen saada sinua huolimattomaksi. Muista, että sekunnin murto-osa huolimattomuutta riittää aikaansaamaan vakavan henkilövahingon.

VAROITUS: Käytä aina tavanomaisia tai sivusuojilla varustettuja suojalaseja sekä kuulosuojaimia. Tämän ohjeen laiminlyöminen saattaa aiheuttaa esineiden sinkoutumisen silmiin ja mahdollisen vakavan henkilövahingon.

VAROITUS: Älä käytä lisäosia tai lisävarusteita, joita tuotteen valmistaja ei ole suositellut. Suosittelemattomien lisäosien tai lisävarusteiden käyttö voi aiheuttaa vakavan henkilövahingon.

VAROITUS: Vakavan henkilövahingon välttämiseksi poista akku työkalusta ennen kuin huollat tai puhdistat sitä tai vaihdat siihen varusteita tai poistat materiaalia laitteesta.

Tätä laitetta voi käyttää seuraavassa kerrottuihin tarkoituksiin:

Ttrimmaus: käytetään nurmikon ja rikkaruohojen poistamiseen seinien, aitojen, puiden ja rajojen lähellä.

Leikkaaminen: käytetään sellaisen nurmikon leikkaamiseen, johon on vaikea päästä käsiksi perinteisellä ruohonleikkurilla.

HUOMAA: Laitetta tulee käyttää vain sille tarkoitettuun tarkoitukseen. Muunlainen käyttö, esimerkiksi pensaiden leikkuu, lasketaan väärinkäytöksi.

AKUN LIITTÄMINEN/POISTAMINEN

HUOMAUTUS: Saat paremman tasapainon käyttäessäsi BA3360-/BA4200/BA4200T/BA5600T-akkuja, kun käytät myös reppuvaljaita (BH1000).

Lataa työteen ennen ensimmäistä käyttökertaa.

Liittäminen

Aseta akun ulokkeet kiinnitysaukoihin ja paina akkua alas päin, kunnes kuulet naksahduksen (kuva K2).

Poistaminen

Paina akun vapautuspainiketta ja vedä akku ulos kuvan L osoittamalla tavalla.

Kuvien K1 ja K2 osien kuvaus alla:

K-1	BA3360-/BA4200 /BA4200T/ BA5600T -akku	K-4	Lukko
K-2	Sovitin	K-5	Akun asennuslokero
K-3	Reppuvaljaat		

OTE SIIMALEIKKURISTA

VAROITUS: Pukeudu asianmukaisesti, niin vähennät vammariskiä tätä laitettaettäessäsi. Älä käytä löysiä vaatteita tai koruja. Käytä silmä- ja kuulosuojaimia.

Käytä paksuja, pitkiä housuja, kunnollisia jalkineita ja hansikkaita. Älä käytä lyhyitä housuja, sandaaleita tai ole paljain jaloin.

Pidä leikkuria molemmin käsin ennen sen käynnistämistä niin, että toinen kätesi on takakahvalla ja toinen suoralla etuapukahvalla (kuva M). Tarkista sitten, että seisot tasapainoisesti sopivan leikkausmatkan päässä.

HUOMAUTUS: Trimmeripään pitää olla maanpinnan suuntaisesti sopivalla leikkuuetäisyydellä ilman käyttäjän kumartumista.

SIIMALEIKKURIN KÄYNNISTÄMINEN/ SAMMUTTAMINEN

Käynnistys

Paina lukituksen vapautuspainike alas ja paina käynnistysliipaisinta. Erilainen paine liipaisimella aiheuttaa leikkusuiman pyörimisnopeuden muuttumisen. Enemmän painetta, enemmän nopeutta.

Sammutus

Vapauta lukituksen vapautuspainike ja liipaisin.

HUOMAUTUS: Moottori käy vain silloin, kun sekä lukituksen vapautuspainiketta että liipaisinta painetaan samanaikaisesti.

VAROITUS: Poista akku siimaleikkurista aina, kun

pidät työstä taukoa ja kun lopetat sen käytön.

TRIMMERIN KÄYTTÖ

VAROITUS: Pidä vakavien henkilövahinkojen välttämiseksi suojalaseja tai turvalaseja aina, kun käytät tätä laitetta. Pidä kasvo- tai hengityssuojainta pölyisissä olosuhteissa.

Tyhjennä leikattava alue ennen jokaista käyttöä. Poista kaikki esineet, kuten kivet, rikkoutunut lasi, naulat, vajjeri tai siima, jotka voivat sinkoutua leikkuulaitteesta tai sotkeutua siihen. Tyhjennä alue lapsista, sivullisista ja lemmikkieläimistä. Pidä lapset, sivulliset ja lemmikkieläimet vähintään 30 m:n päässä. Sinkoutuvat esineet voivat silti vielä aiheuttaa vaaraa sivullisille. Sivullisia tulee kannustaa pitämään suojalaseja. Jos joku lähestyy sinua, sammuta moottori ja leikkuu-laite välittömästi.

Tarkasta trimmeri ennen jokaista käyttöä vaurioituneiden/kuluneiden osien varalta

Tarkasta siimapää, suojus ja tukikahva ja vaihda halkeilleet, vääntyneet, taipuneet tai jollakin tavalla vaurioituneet osat.

Suojuksen reunassa oleva siiman rajoitusterä voi tlysyä ajan myötä. Suosittelemme, että teroitat sen määräajoin viilalla tai vaihdat sen uuteen terään.

VAROITUS: Käytä aina käsiineitä, kun kiinnität suojaa tai huollat terää. Huolehdi, että suojan terä ei leikkaa käsiäsi.

Puhdista trimmeri jokaisen käytön jälkeen.

HUOMAUTUS: Tukokset ilma-aukoissa estävät ilman virtaamisen moottorikehikkoon ja voivat aiheuttavat ylikuumentumista tai moottorin vahingoittumisen.

Käytä työkalun puhdistamiseen vain mietoa saippuaa ja kosteaa liinaa. Älä koskaan päästä nestettä työkalun sisälle; älä koskaan upota työkalun mitään osaa nesteeseen.

- Pidä moottorin kotelon ja varren tuuletusaukot aina vapaina leikkuujätteestä

VAROITUS: Älä koskaan käytä vettä leikkurin puhdistamiseen. Älä käytä liuottimia, kun puhdistat muoviosia. Suurin osa muoveista on alttiita vahingoittumaan markkinoilla olevista liuottimista. Käytä lian, tomin, öljyn, rasvan yms. poistamiseen puhdasta liinaa.

VINKKEJÄ PARHAAN LEIKKUUTULOKSEN

SAAMISEKSI (KUVA N)

- Oikea leikkuuvälinen kulma on maansuuntainen.
- Älä pakota leikkuria. Anna siiman kärjen tehdä leikkaaminen (etenkin seinien vieressä). Leikkaaminen muulla kuin kärkiosalla huonontaa leikkuutehoa ja saattaa ylikuormittaa moottoria.
- Leikkuukorkeuden määrittävä siiman etäisyys nurmikon pinnasta.
- Yli 20 cm pitkä ruoho tulee leikata kerroksittain ylhäältä alaspäin, jotta vältät siiman ennenaikaisen kulumisen tai moottorin vioittumisen.
- Leikkaa ruoho liikuttamalla trimmeriä hitaasti leikattavalle alueelle ja pois alueelta siiman ollessa halutulla leikkuukorkeudella. Liike voi olla joko eteenpäin ja taaksepäin tai sivulta sivulle. Parhaan tuloksen saat leikkaamalla ruohon lyhyempänä.
- Leikkaa vain ruohon ollessa kuivaa.
- Verkko- ja säleaidat voivat aiheuttaa siiman ylimääräistä kulumista ja jopa katkeamisen. Kivi- ja tiililaidat, reunakivet ja puut saattavat kuluttaa siiman nopeasti.
- Vältä puita ja pensaita. Siima vaurioittaa helposti puunkuurta, puulistoja, reunalistoja ja aidantolppia.

Kuvan N osien kuvaukset alla:

N-1	Paras leikkuualue	N-2	Vaarallinen leikkuualue
-----	-------------------	-----	-------------------------

LEIKKAUSSIIMAN PITUUDEN SÄÄTÄMINEN

Trimmeripää mahdollistaa leikkuusiiman vapauttamisen ilman moottorin sammuttamista. Kun siima kuluu tai rispaantuu, voit vapauttaa lisää siimaa napauttamalla kelan pidikettä maata vasten leikkurin käytön aikana (kuva O).

HUOMAA: Siiman vapautus vaikeutuu, kun leikkaussiima lyhenee.

VAROITUS: Pidä leikkuussiima aina täysipituisena. Siiman vapautus vaikeutuu, kun leikkuussiima lyhenee.

SIIMAN VAIHTAMINEN

HUOMAUTUS: Käytä aina suosittelua nailonleikkuussiimaa, jonka halkaisija on korkeintaan 2,4 mm. Muunlaisen siiman käyttäminen saattaa aiheuttaa siimaleikkurin kuumentumisen tai vaurioittumisen.

VAROITUS: Älä käytä koskaan metallilla vahvistettua siimaa, rautalankaa, narua yms. Ne saattavat katketa ja muuttua vaaralliseksi ammuksiksi.

Siimaleikkuri on varustettu edistyksellisellä automaattisella siiman kelausjärjestelmällä.

Leikkuusiima kelautuu kelalle helposti yhtä painiketta painamalla. Kelaan lataaminen

täyteen kestää yleensä 12 sekuntia. Vältä kelausjärjestelmän toistuvaa käyttöä nopeassa tahdissa peräkkäin. Näin vältät mahdolliset moottorivauriot.

1. Poista akku.
2. Poista jäljellä oleva siima, mikäli tarpeen. Vedä se irti käsin.
3. Leikkaa yksi kappale leikkuusiimaa (4 m). Työnnä siima pujotusreikään (kuva P) ja työnnä siimaa, kunnes siiman pää tulee ulos vastakkaisesta pujotusreistä.

Kuvan P osien kuvaukset alla:

P-1	Leikkuusiima	P-3	Pujotusreikä
P-2	Alempi suojus		

4. Poista akku, jos se on asennettu leikkuriin edellisessä vaiheessa.
5. Vedä siimaa toiselta puolelta, kunnes kummallakin puolella trimmeripäätä on yhtä paljon siimaa (kuva Q).
6. Asenna akku siimaleikkuriin. Pidä siiman latauspainiketta painettuna siimankelausmoottorin käynnistämiseksi. Siima kelataan trimmeripäähän yhtäjaksoisesti (kuva R).
7. Tarkkaile jäljellä olevan siiman pituutta huolellisesti. Valmistaudu vapauttamaan painike heti, kun kummallakin puolella on jäljellä noin 18 cm siimaa. Paina siiman latauspainiketta lyhyesti ja säädä pituutta, kunnes kummallakin puolella näkyy 14 cm siimaa.
8. Paina trimmeripäätä alas ja vedä samalla siimoja käsin siiman liikuttamiseksi eteenpäin. Tarkista leikkuusiiman oikea lataus.

HUOMAUTUS: Mikäli siima on vedetty leikkuupäähän vahingossa, avaa pää ja vedä leikkuusiima pois kelalta. Noudata tämän käyttöoppaan kohdan "LEIKKUUSIIMAN UUELLEEN LATAAMINEN" ohjeita siiman uudelleen lataamisessa.

LEIKKUUSIIMAN UUELLEEN LATAAMINEN

Kun leikkuusiima katkeaa siiman ulostulosta tai leikkuusiimaa ei vapaudu trimmeripäätä napautettaessa, noudata seuraavia ohjeita jäljelle jääneen siiman poistamiseksi ja siiman uudelleen lataamiseksi.

1. Paina trimmeripäässä olevia kahta vapautusloketta ja poista trimmeripäätä vetämällä sitä suoraan ulospäin (kuvat S-1 ja S-2).

2. Poista leikkuusiima trimmeripästä ja työnnä jousi alemman suojuksen koloon (kuva T).
3. Pidä toisella kädellä trimmeristä ja toisella kädellä alemmasta suojuksesta, kohdistu alemman suojuksen kolot vapautuslokkeisiin. Paina alempaa suojusta, kunnes se asettuu paikalleen, jolloin kuulet napsahdavan äänen (kuva U).
4. Noudata leikkuusiiman uudelleen lataamisessa kohdan "SIIMAN VAIHTAMINEN" ohjeita.

Kuvien S1, T ja U osien kuvaus alla:

S1-1	Alempi suojus	U-1	Vapautusuloke
S1-2	Vapautusuloke	U-2	Kolo
T-1	Jousi		

TRIMMERIPÄÄN VAIHTAMINEN

VAROITUS: Jos pää löystyy sen jälkeen, kun se on kiinnitetty paikalleen, vaihda se välittömästi. Älä ikinä käytä leikkuria, jonka leikkaava osa on löystynyt. Vaihda revennyt, vahingoittunut tai kulunut leikkuupäätä välittömästi, vaikka vahinko koostuisikin vain pinnallisista repeämisistä. Vaurioituneet osat saattavat särkyä kovissa nopeuksissa ja aiheuttaa vakavan henkilövahingon.

Trimmeripään irrottaminen

1. Irrota akku siimaleikkurista.
2. Paina trimmeripään vapautuslokkeita ja poista alempi suojus trimmeripästä vetämällä sitä suoraan ulospäin (katso kuvat S1 ja S2).
3. Poista leikkuusiima trimmeripästä (kuva V).
4. Poista jousi kelakokoonpanosta, mikäli tarpeen. Laita se talteen takaisin asentamista varten.
5. Käytä käsineitä. Tartu toisella kädellä kelaan ja vakauta se ja pidä toisella kädellä iskuväännintä, jonka avulla irrotat mutterin kääntämällä vastapäivään (kuva W).
6. Poista mutteri, aluslevy, kela ja ylempi suojus moottorin karasta (kuva X).
7. Käytä lukkorengasavainta lukkorengaan poistamiseen. Irrota tuuletin (kuva Y).
8. Asenna uusi trimmeripää seuraavien ohjeiden mukaisesti.

Kuvien W, X ja Y osien kuvaus alla:

W-1	Iskuväännin	X-4	Mutteri
X-1	Ylempi suojus	Y-1	Tuuletin
X-2	Kela	Y-2	Lukkorengas.
X-3	Aluslevy		

Uuden trimmeripään asentaminen

1. Kohdista tuulettimen avainlovi moottorin karan kiilaan ja asenna tuuletin paikalleen (kuva Z).
2. Asenna lukkorengas, ylempi suojuus, kela ja aluslevy tässä järjestyksessä. Kiristä mutteri iskuvääntimellä.
3. Noudata tämän käyttöoppaan kohdan ”LEIKKUSIIMAN UDELLEEN LATAAMINEN” ohjeita alemman suojuksen asentamisessa.
4. Noudata leikkuusiiman uudelleen lataamisessa kohdan ”SIIMAN VAIHTAMINEN” ohjeita.
5. Käynnistä työkalu ja tarkasta toimiiko siimaleikkuri oikein. Jos ei, kokoa uudelleen kuten edellä on kuvattu.

Kuvan Z osien kuvaukset alla:

Z-1	Kiila	Z-2	Avainlovi
-----	-------	-----	-----------

HUOLTO

VAROITUS: Käytä huollon yhteydessä vain valmistajan hyväksymiä varaosia. Muiden osien käyttö voi aiheuttaa vaaran tai vahingoittaa tuotetta. Tarkasta ja huolla kone säännöllisin väliajoin. Valtuutetun huoltoteknikon tulee suorittaa kaikki korjaukset, jotta voidaan taata tuotteen turvallinen ja luotettava käyttö.

VAROITUS: Akkutyökaluja ei tarvitse kytkeä sähköverkkoon; ne ovat siksi aina käyttökunnossa. Estä vakava henkilövahinko olemalla erityisen varovainen, kun suoritat kunnossapittoa, huoltoa tai kun vaihdat leikkuulaitetta tai muita lisäosia.

VAROITUS: Irrota vakavien henkilövahinkojen estämiseksi akkuyksikkö työkalusta ennen lisäosien huoltoa, puhdistusta ja vaihtoa tai materiaalin poistamista laitteesta.

LAITTEEN PUHDISTUS

- Puhdista laite kostealla liinalla ja miedolla puhdistusaineella
- Älä käytä voimakkaita puhdistusaineita muovikoteloon tai kahvaan. Tietyt hyväntuokuiset öljyt (esim. mänty ja sitruuna) ja paloöljyn kaltaiset luottimet voivat vaurioittaa niitä. Kosteus voi myös aiheuttaa sähköiskun vaaran. Pyyhi kosteus pois pehmeällä ja kuivalla liinalla.
- Puhdista moottorin kotelon tuuletusaukot pienellä harjalla tai pölynimurin harjalla.

SIIMALEIKKUUTERÄN TEROTTAMINEN

VAROITUS: Suojaa aina kätesi paksuilla käsineillä silloin, kun teet huoltotoimenpiteitä

siimaleikkuuterälle.1. Remove the line-cutting blade from the guard.

1. Irrota siimaleikkuuterä suojusta.
2. Käytä kunnollisia suojalaseja ja käsineitä ja ole varovainen, ettei terä satuta sinua.
3. Kiinnitä terä ruuvipenkkiin.
4. Viilaa terän leikkuureunoja hienohampaisella viilalla tai hiomakivellä. Säilytä leikkuureunan alkuperäinen kulma.
5. Vaihda terä suojaan ja kiinnitä se paikalleen kahdella ruuvilla.

LAITTEEN VARASTOINTI

- Irrota akkuyksikkö trimmeristä, kun trimmeriä ei käytetä.
- Puhdista työkalu perusteellisesti ennen varastointia.
- Varastoi laite kuivaan, hyvin ilmastoituun tilaan, joka on lukittu tai muuten lasten ulottumattomissa. Älä varastoi laitetta lannoitteiden, bensiinin tai muiden kemikaalien päälle tai viereen.

Ympäristönsuojelu



Älä hävitä sähkölaitteita, akun latauslaitteita ja akkuja/ladattavia akkuja kotitalousjätteen mukana!

Euroopan parlamentin ja neuvoston direktiivin 2012/19/EU mukaan sähkö- ja elektroniikkalaitteet, jotka eivät ole enää käyttökelpoisia, ja Euroopan parlamentin ja neuvoston direktiivin 2006/66/EY mukaan vialliset tai käytetyt akkuyksiköt/akut täytyy kerätä erikseen.

Jos sähkölaitteet hävitetään viemällä kaatopaikoille tai roskaläjiin, vaarallisia aineita voi vuotaa pohjaveteen ja päästä ravintoketjuun ja vahingoittaa täten ihmisten terveyttä ja hyvinvointia.

VIANETSINTÄ

ONGELMA	SYY	RATKAISU
Trimmeri ei käynnisty	<ul style="list-style-type: none"> ■ Akkuyksikköä ei ole asetettu trimmeriin ■ Ei sähkökontaktia trimmerin ja akun välillä. ■ Akkuyksikkö on tyhjä ■ Lukituksen vapautuspainiketta ja liipaisinta ei paineta samanaikaisesti. 	<ul style="list-style-type: none"> ■ Aseta akkuyksikkö trimmeriin ■ Irrota akku, tarkasta koskettimet ja asenna akkuyksikkö takaisin. ■ Lataa akkuyksikkö ■ Paina lukituksen vapautuspainike alas ja pidä sitä pohjassa samalla, kun painat liipaisinta niin siimaleikkuri käynnistyy.
Terä ei leikkaa siimaa.	<ul style="list-style-type: none"> ■ Suojusta ei ole asennettu trimmeriin, mistä seuraa liian pitkä leikkuusiima ja moottorin ylikuormittuminen ■ Käytetään paksua leikkuusiimaa. ■ Moottorin varteen tai siimapäähän on takertunut ruohoa. ■ Moottori on ylikuormittunut. ■ Akkuyksikkö tai trimmeri on liian kuuma ■ Akkuyksikköä ei ole kytketty työkaluun ■ Akkuyksikkö on tyhjä. 	<ul style="list-style-type: none"> ■ Irrota akkuyksikkö ja asenna suojus trimmeriin ■ Käytä aina suositeltua nailonleikkuusiimaa, jonka halkaisija on korkeintaan 2,4 mm. ■ Sammuta trimmeri, irrota akku ja poista ruoho moottorin varresta ja siimapäästä. ■ Irrota siimapää ruohosta. Moottori toimii jälleen heti, kun kuormitus on poistettu. Liikuta leikatessa siimapäätä leikattavaan ruohoon ja pois äläkä leikkaa kerralla yli 20 cm pituudelta. ■ Anna akkuyksikön tai trimmerin jäähtyä, kunnes lämpötila laskee alle 67 °C:een. ■ Asenna akkuyksikkö uudelleen. ■ Lataa akkuyksikkö.

ONGELMA	SYY	RATKAISU
Trimmer head will not advance line	<ul style="list-style-type: none"> ■ Moottorin varteen tai siimapäähän on takertunut ruohoa. ■ Kelan pidikkeessä ei ole riittävästi siimaa. ■ Siimapää on likainen. ■ Siima on sotkeutunut kelan pidikkeeseen. ■ Siima on liian lyhyt. 	<ul style="list-style-type: none"> ■ Sammuta trimmeri, irrota akku ja poista ruoho moottorin varresta ja siimapäästä. ■ Irrota akku ja vaihda leikkuusiima. Noudata tämän käsikirjan osiota "SIIMAN VAIHTO". ■ Poista akku ja puhdista kela, kelan pidike ja kelan pohja. ■ Poista akku, poista siima kelan pidikkeestä ja kela se uudelleen; noudata tämän käyttöoppaan kohdan "SIIMAN VAIHTAMINEN" ohjeita. ■ Poista akku ja vedä siimoja samalla, kun vuorotellen painat ja vapautat trimmeripään.
Grass wraps around trimmer head and motor housing	<ul style="list-style-type: none"> ■ Pitkää ruohoa leikataan maan tasolla. 	<ul style="list-style-type: none"> ■ Estä ruohon kietoutuminen leikkaamalla pitkä ruoho ylhäältä alaspäin poistaen yhdellä liikkeellä kerrallaan vain 20 cm ruohoa.
The blade is not cutting the line.	<ul style="list-style-type: none"> ■ Suojuksen reunassa oleva siiman rajoitusterä on tylsynyt. 	<ul style="list-style-type: none"> ■ Teroita siiman rajoitusterä viilalla tai vaihda se uuteen terään.
Cracks on the trimmer head or the spool retainer comes loose with spool base.	<ul style="list-style-type: none"> ■ Leikkuupää on kulunut. 	<ul style="list-style-type: none"> ■ Vaihdata leikkuupää välittömästi ammattitaitoisella huoltoasentajalla.
During line replacement, the line can't be loaded into the trimmer head properly.	<ul style="list-style-type: none"> ■ Kelan pidikkeen LOAD-rajat eivät kohdistu kelan pohjan pujotusreikiin. ■ Leikkuusiimaa ei ole työnnetty oikein pujotusreiän asennusreikään. 	<ul style="list-style-type: none"> ■ Pyöritä kelan pidikettä nuolen suuntaan ja kohdista kelan pidikkeen LOAD-rajat kelan pohjan pujotusreikiin. ■ Kohdista LOAD-rajat pujotusreikiin ensin, työnnä sitten siima pujotusreiän sisäpuolella olevaan asennusreikään.

TAKUU

EGO-TAKUUKÄYTÄNTÖ

Katso verkkosivuilta osoitteesta egopowerplus.com EGO-takuukäytännön ehdot ja edellytykset kokonaisuudessaan.

LES ALLE INSTRUKSJONER!



LES BRUKERMANUALEN

⚠ Restrisiko! Personer med elektroniske enheter, for eksempel pacemakere, må rådføre seg med lege før de bruker dette produktet. Drift av elektrisk utstyr i umiddelbar nærhet av en pacemaker kan føre til at pacemakeren forstyrres eller svikter.

⚠ ADVARSEL: For sikre både sikkerheten og påliteligheten, skal alle reparasjoner utføres av en kvalifisert servicetekniker.

NO

SIKKERHETSSYMBOLER

Formålet med sikkerhetssymbolene er å trekke oppmerksomheten din mot mulige faresituasjoner. Sikkerhetssymbolene og forklaringene krever din fulle oppmerksomhet og forståelse. Symbolvarslene eliminerer ikke farer på egen hånd. Instruksjonene og advarslelene som finnes i dem er ikke erstatninger for passende ulykkesforebyggende tiltak.

⚠ ADVARSEL: Sørg for å lese og forstå alle sikkerhetsanvisningene i denne bruksanvisningen, inkludert alle sikkerhetsvarselssymboler så som «**FARE**», «**ADVARSEL**» og «**FORSIKTIG**» før du bruker dette verktøyet. Hvis du ikke følger alle instruksjonene nedenfor, kan det føre til elektriske støt, brann og/eller alvorlig personskade.

SYMBOLFORKLARINGER

⚠ SIKKERHETSSYMBOL: Indikerer FARE, ADVARSEL eller FORSIKTIG. Kan brukes sammen med andre symboler eller piktogrammer.

SIKKERHETSINSTRUKSER

Denne siden viser og beskriver sikkerhetssymboler som finnes på produktet. Les, forstå og følg alle instruksjoner på maskinen før begynner montering og bruk.

	Sikkerhetsvarsel	Angir en fare for mulig personskade.
	Les brukermanualen.	For å redusere risikoen for skader må brukeren lese og forstå brukerhåndboken før produktet brukes.
	Bruk vernebriller	Bruk alltid øyevern eller vernebriller med sidebeskyttelse og full ansiktsskjerm når du bruker dette produktet.
	Bruk hørselvern	Bruk alltid hørselvern (ørepropper eller øreklokker) for å beskytte hørselen.
	Kuttebredde	Kantklipperens maks. skjærebredde
	Linediameter	Diameteren på nylonkuttelin
	Bruk hodebeskyttelse	Bruk en godkjent vernehjelm for å beskytte hodet.
	Bruk vernehansker.	Beskytt hendene med hansker når du håndterer bladet og bladskjermen. Kraftige, sklisikre hansker gir bedre grep og beskytter hendene dine.
	Bruk vernesko.	Ha på deg sklisikre vernesko når du bruker dette utstyret.
	Vær oppmerksom på risikoen for tilbakeslag	Advar operatøren om faren for tilbakeslag.
	Rikosjetter og avstand til personer i nærheten	Gjenstander som slynges bort, kan rikosjettere og forårsake skade på personer eller eiendom. Sørg for at andre mennesker og kjæledyr er minst 15 m unna busktrimmeren når den er i bruk.
	Hold tilsk-uere på trygg avstand.	Sørg for at andre mennesker og kjæledyr er minst 15 m unna kantrimmeren når den er i bruk.
	Ingen runde blader	Ikke monter runde skjæreblander.

	Må ikke utsettes for regn	Produktet må ikke brukes i regnvær eller etterlates utendørs når det regner.
	CE	Dette produktet er i samsvar med gjeldende EF-direktiver.
	WEEE	Elektrisk avfall må ikke kastes sammen med husholdningsavfall. Innlever det ved en godkjent gjenvinningsstasjon.
	Støy	Garantert lydeffektivnivå. Støyutslippene til omgivelsene overholder kravene i EF-direktivet.
V	Volt	Spenning
	Likestrøm	Type eller karakteristikk for spenningen
n_0	Hastighet uten last	Rotasjonshastighet, uten last
min^{-1}	Pr. minutt	Omdreininger pr. minutt

GENERELLE SIKKERHETSADVARSLER FOR ELEKTROVERKTØY

⚠ ADVARSEL: Les alle sikkerhetsadvarsler, instruksjoner, illustrasjoner og spesifikasjoner som følger med dette verktøyet. Manglende etterlevelse av alle instruksjonene under kan resultere i elektrisk støt, brann og/eller alvorlig skade. **Ta vare på alle advarsler og instruksjoner for fremtidig bruk.**

Betegnelsen "elektroverktøy" i advarslene refererer til hovednettdrevne (med ledning) elektroverktøy eller batteridrevne (trådløs) elektroverktøy.

SIKKERHET I ARBEIDSRÅDET

- Hold arbeidsområdet rent og godt opplyst. Rotete eller mørke områder inviterer til ulykker.
- Ikke bruk maskinen i eksplosjonsfarlige atmosfærer, for eksempel der det finnes brennbare væsker, gasser eller støv i nærheten. Elektroverktøy lager gnister som kan antenne støv eller damper.
- Hold barn og andre personer unna når elektroverktøyet er i bruk. Distraksjoner kan føre til at du mister kontrollen.

PERSONLIG SIKKERHET

- Vær oppmerksom, pass på hva du gjør og bruk sunn fornuft når du bruker elektroverktøy. Ikke bruk verktøyet når du er trøtt eller påvirket av narkotika, alkohol eller medisiner.** Et øyeblikks uoppmerksomhet ved bruk av elektroverktøy kan føre til alvorlige personskader.
- Bruk personlig verneutstyr. Bruk alltid vernebriller.** Verneutstyr som støvmaske, sklisisikre vernesko, hjelm eller hørselsvern i egnede forhold reduserer risikoen for personskader.
- Unngå utilsiktet start. Pass på at bryteren er i av-stilling før du kobler til strømkilden og/eller batteripakken, plukker opp eller bærer verktøyet.** Å bære elektroverktøy med fingeren på bryteren eller å slå på verktøy som har bryteren på er å invitere til ulykker.
- Fjern eventuelle justeringsnøkler før du slår på elektroverktøyet.** Et verktøy eller en nøkkel som sitter igjen i en roterende del av elektroverktøyet kan føre til personskade.
- Ikke strekk deg for langt. Pass på å ha skikkelige fotfeste og balanse til enhver tid.** Dette muliggjør bedre kontroll over elektroverktøyet i uventede situasjoner.
- Kle deg riktig. Ikke bruk løstsittende klær eller smykker. Hold hår, klær og hansker unna bevegelige deler.** Løse klær, smykker eller langt hår kan sette seg fast i bevegelige deler.
- Hvis det følger med utstyr for tilkopling av støvavsug og oppsamlingsutstyr, skal disse koples til og brukes riktig.** Bruk av støvenheter kan redusere støvrelaterte farer.
- Selv om du opparbeidet deg erfaring gjennom hyppig bruk av verktøyet, må du alltid være årvåken og følge sikkerhetsinstruksjonene.** Et ørlite øyeblikks uoppmerksomhet er alt som skal til for at alvorlige personskader kan oppstå.

BRUK OG VEDLIKEHOLD AV ELEKTROVERKTØY

- Ikke tving elektroverktøyet. Bruk det riktige elektroverktøyet til det du skal gjøre.** Det riktige elektroverktøyet vil gjøre jobben bedre og sikrere, i den hastigheten som det ble laget for.
- Ikke bruk elektroverktøyet hvis bryter ikke slår det på og av.** Elektroverktøy som ikke kan kontrolleres med bryteren, er farlig og må repareres.
- Oppbevar elektroverktøy utilgjengelig for barn, og ikke la personer som ikke er kjent med verktøyet eller disse instruksjonene betjene maskinen.** Elektroverktøy er farlige når de brukes av uerfarne personer.

NO

- **Vedlikehold elektroverktøy og tilbehør.** Se etter feiljusteringer eller oppbinding av bevegelige deler, skadede deler og eventuelle andre forhold som kan påvirke elektroverktøyet funksjon. Hvis skadet, må elektroverktøyet repareres før bruk. Mange ulykker er forårsaket av dårlig vedlikeholdte elektroverktøy.

- **Hold kutteverktøyet skarpt og rent.** Riktig vedlikehold av kutteverktøy med skarpe kanter gjør at det er mindre sannsynlighet for oppbinding, og at det er lettere å kontrollere.

- **Bruk elektroverktøy, tilbehør, verktøy, osv. i henhold til disse anvisningene, og ta hensyn til arbeidsforholdene og arbeidet som skal utføres.** Bruk av elektroverktøy til andre formål enn det som er angitt kan føre til farlige situasjoner.

- **Hold håndtaket og gripeflaten tørr, ren og fri for olje og fett.** Glatte håndtak og gripeflater vil gjøre det vanskelig å kontrollere verktøyet og håndtere det på en sikker måte i uventede situasjoner.

- **Hold kabler unna området der du bruker verktøyet.** Under bruk kan det være vanskelig å få øye på kabler, og disse kan dermed kuttes over ved et uhell.

BRUK OG VEDLIKEHOLD AV BATTERIVERKTØY

- **Lades bare med ladere som er spesifisert av produsenten.** En lader som passer for én type batteripakke kan skape fare for brann når den brukes med andre batteripakker.
- **Elektroverktøyet skal bare brukes med den spesifiserte batteripakken.** Bruk av andre batteripakker kan skape risiko for skader og brann.
- **Når batteriet ikke er i bruk, skal det holdes unna andre metallgjenstander så som binders, mynter, nøkler, spikere, skruer eller andre små metallgjenstander som kan lage forbindelse fra én terminal til en annen.** Kortslutning av batteripolene kan forårsake brannskader eller brann.
- **Under skadelige forhold, kan væske kastes ut fra batteriet. Unngå kontakt.** Hvis kontakt oppstår ved uhell, skyl med vann. Hvis man får væske i øynene, skal det i tillegg søkes medisinsk hjelp. Væske som blir kastet ut av batteriet kan forårsake irritasjon eller brannskår.
- **Ikke bruk en batteripakke eller et verktøy som er skadet eller modifisert.** Skadde eller modifiserte batterier kan oppføre seg uforutsigbart og medføre brann, eksplosjon eller risiko for personskade.
- **Ikke eksponer en batteripakke eller verktøyet for flammer eller svært høye temperaturer.** Eksponering for brann eller temperaturer over 100 °C kan forårsake eksplosjon.

- **Følg alle ladeinstruksjonene, og ikke lad batteripakken eller verktøyet utenfor temperaturområdet som er angitt i instruksjonene.** Hvis batteriet lades på feil måte eller ved temperaturer som er utenfor det angitte området, kan batteriet bli skadet og brannrisikoen øke.

SERVICE

- **Elektroverktøyet må repareres av et kvalifisert serviceverksted som kun bruker identiske reservedeler.** Dette gjør at sikkerheten til elektroverktøyet opprettholdes.
- **Aldri bruk skadede batteripakker.** Service på batteripakker må bare utføres av produsenten eller autoriserte tjenesteleverandører.

⚠ ADVARSEL: Gjør deg kjent med alle sikkerhetsadvarene, instruksjonene, illustrasjonene og spesifikasjonene som følger med dette elektroverktøyet. Manglende etterlevelse av alle instruksjonene under kan resultere i elektrisk støt, brann og/eller alvorlig skade. Ta vare på alle advarsler og instruksjoner for fremtidig bruk. **Ta vare på alle advarsler og instruksjoner for fremtidig bruk.**

OPPLÆRING

- Les instruksjonene nøye. Gjør deg kjent med betjeningsinnretningene og måten maskinen skal brukes på.
- Du må aldri la barn eller personer som ikke er kjent med disse instruksjonene, få bruke produktet. En aldersgrense for operatøren kan være fastsatt i lokale regelverk.
- Husk at operatøren eller brukeren er ansvarlig for ulykker eller farer som berører andre mennesker eller andres eiendeler.

FORBEREDELSE

- Bruk aldri maskinen mens folk, og spesielt barn eller kjæledyr, er i nærheten.
- Bruk vernebriller og solide sko hele tiden mens du bruker maskinen.
- Avstanden mellom maskinen og tilskuere skal være minst 15 meter.
- Bruk aldri maskinen mens du er trett, syk eller påvirket av alkohol, legemidler eller andre stoffer.

BRUK

- Maskinen skal bare brukes i dagslys eller med god kunstig belysning.
- Bruk aldri maskinen med skadede skjermmer eller skjold, eller uten skjermmer eller skjold på plass.

- Motoren skal bare slås på når hender og føtter er borte fra skjæredelene.
- Koble alltid kantklipperen fra strømkilden (dvs. ta ut batteripakken)
 - når du skal forlate maskinen uten tilsyn;
 - før du fjerner en blokkering;
 - før du kontrollerer, rengjør eller utfører arbeid på maskinen;
 - etter å ha støtt bort et fremmedlegeme;
 - hvis maskinen begynner å vibrere unormalt.
- Pass på at hender og føtter ikke skades av skjæredelene.
- Pass alltid på at ventilasjonsåpningene holdes frie for rusk.

VEDLIKEHOLD OG LAGRING

- Koble maskinen fra strømkilden (dvs. ta ut batteripakken) før du utfører vedlikeholds- eller rengjøringsarbeid.
- Bruk bare produsentens anbefalte reservedeler og tilbehør.
- Maskinen må etterses og vedlikeholdes regelmessig. Reparasjoner må kun utføres ved et autorisert verksted.
- Når den ikke er i bruk, skal maskinen oppbevares utilgjengelig for barn.

ANDRE SIKKERHETSADVARSLER

- **Unngå farlige omgivelser** – ikke bruk apparatet i fuktige eller våte skråninger.
- **Hold skjermene på plass og i fungerende stand.**
- **Hold hendene og føttene på avstand fra beskjæringsområdet.**
- **For å redusere risikoen for skader må du aldri bruke trimmeren mens du står på en stige eller et annet ustabil underlag. Hold aldri skjæretilbehøret over hofte høyde.**
- **Kontroller skjæretilbehøret med jevne, korte intervaller under bruk, eller umiddelbart hvis det oppstår en merkbar endring i skjæreatferden.**
- **Du får best resultat dersom batteriet lades på et sted der temperaturen er over 5 °C og under 40 °C.** Ikke oppbevar batteriet utendørs eller i kjøretøy.
- **Hvis andre personer kommer bort til eller henvender seg til deg, må du stoppe motoren og skjærestyret umiddelbart.**
- **Advar operatøren om faren forbundet med tilbakeslag (gjelder bare ved bruk av 3-tannet blad).**

- **Tilbakeslag kan inntreffe når det roterende bladet kommer i kontakt med en gjenstand som det ikke umiddelbart klarer å skjære seg gjennom.**
- **Tilbakeslaget kan være voldsomt nok til å få enheten og/eller operatøren til å bevege seg i en hvilken som helst retning, og operatøren står dermed i fare for å miste kontrollen over enheten.**
- **Tilbakeslag kan inntreffe uten forvarsel dersom bladet hekter seg fast, stopper eller henger seg opp.**
- **Tilbakeslag har større sannsynlighet for å forekomme i områder der det er vanskelig å se materialet som skjæres.**
- **Ikke fest et blad til trimmeren uten at alle påkrevde deler er korrekt montert. Manglende bruk av de påkrevde delene medfører risiko for at bladet blir slynget ut i luften og påfører operatøren og/eller personer i nærheten alvorlige skader. Blader som er bøyd, vridd, sprukket, ødelagt eller skadet på noen måte, må kasseres. Bruk et skarpt blad. Et sløvt blad har større sannsynlighet for å henge seg opp og utløse tilbakeslag (gjelder bare ved bruk av 3-tannet blad).**
- **Bladet / tråden vil fortsetter å rotere og kan dermed forårsake skader en stund etter at motoren har stanset eller bryteren er sluppet ut. Sørg for å holde god kontroll helt til bladet/tråden har sluttet helt å rotere.**
- Bruk kun med batteripakker og ladere som oppført i fig. A.
- **Batteridrevne verktøy trenger ikke å være tilkoblet strømtuttak for å fungere, og er derfor alltid klare for bruk.** Vær oppmerksom på mulige farer, selv når verktøyet ikke er i drift. Vær forsiktig når du utfører vedlikehold eller service.
- **Ikke vask med hageslange; unngå å få vann i motoren og i elektriske kontakter.**
- **Hvis situasjoner oppstår som ikke er dekket i denne håndboken, må du utvise forsiktighet og god dømmekraft. Kontakt EGOs servicesenter for å få hjelp.**

TA VARE PÅ DISSE INSTRUKSJONENE!

NO

SPESIFIKASJONER

Spenning	56 V ---	
Hastighet uten last	4000–5800/min.	
Kuttemekanisme	Trimmerhode	
Kutteline-type	2,4 mm tvunnet nylontråd	
Klippebredde	38 cm	
Anbefalt driftstemperatur	0°C-40°C	
Anbefalt lagringstemperatur	-20°C-70°C	
Vekt (uten batteripakke)	3,2 kg	
Measured sound power level level L_{WA}	92,6 dB(A) K=0,8 dB(A)	
Lydtrykknivå ved brukerens øre L_{PA}	72,6 dB(A) K=2,5 dB(A)	
Garantert lydeffektivnivå L_{WA} (iht. 2000/14/EF)	93 dB(A)	
Vibrasjon a_h	Fremre hjelpehåndtak	3,5 m/s ² K=1,5 m/s ²
	Bakre håndtak	2,1 m/s ² K=1,5 m/s ²

NO

- Den deklarerte totale vibrasjonsverdien er målt i overensstemmelse med en standard testmetode, og kan brukes til å sammenligne ett verktøy med et annet;
- Den deklarerte totale vibrasjonsverdien kan også brukes i en foreløpig vurdering av eksponering.

MERK: Vibrasjoner under faktisk bruk av elektroverktøyet kan variere fra den opplyste verdien der verktøyet brukes; For å beskytte brukeren, skal det brukes hansker og hørselsvern under de faktiske bruksforholdene.

PAKKELISTE

NAVN PÅ DEL	ANTALL
Linetrimmer	1
Skjerming	1
Montering av fremre hjelpehåndtak	1
Skulderrem	1
sekskantnøkkel	1
Bruksanvisning	1

Skjærertråd	1
-------------	---

BESKRIVELSE

KJENN GRESSTRIMMEREN DIN (Fig. A)

- Bakre håndtak
- Utløser
- Låseknapp
- Justerbart fremre hjelpehåndtak
- Skulderrem
- Skaft
- Bladvern
- Utløserknapp for batteri
- Låsemekanisme
- Elektriske kontakter
- Utkastmekanisme
- Trimmerhode
- Spoleknapp
- Skjærertråd
- Utløserflik
- Trådskjærebånd
- Unbraconøkkel

ENHET

⚠ ADVARSEL: Hvis noen av delene er skadet eller mangler, må du ikke bruke dette produktet før delene er skiftet ut. Bruk av dette produktet med skadede eller mangler deler kan føre til alvorlig personskade.

⚠ ADVARSEL: Ikke forsøk å modifisere dette produktet eller lage tilbehør som ikke er anbefalt for bruk med denne gresstrimmeren. Enhver slik endring eller modifisering er misbruk, og kan føre til farlige situasjoner og mulige alvorlige personskader

⚠ ADVARSEL: For å hindre utilsiktet start som kan føre til alvorlig personskade, skal batteripakken alltid tas ut av verktøyet når du monterer deler.

MONTERING AV SKJERMEN

⚠ ADVARSEL: Bruk alltid hansker ved montering eller bytte av skjermen. Vær forsiktig med bladet på skjermen, og beskytt hånden mot kutt.

⚠ ADVARSEL: Bruk aldri verktøyet uten at bladvernet er på plass. Bladvernet må alltid være påmontert verktøyet for å beskytte brukeren! Når bladvernet sitter fast, må du ikke forsøke å fjerne eller justere det. Hvis det trengs å byttes, må dette gjøres av en kvalifisert fagperson!

Juster de to skruene som allerede er påmontert bladvernet, så de er på linje med de to skruhullene i skaftet (Fig. B), og stram dem til med unbraconøkkelen som følger med (Fig. C).

Sørg for at bladvernet er festet slik fig. B og C viser. Festes det på annen måte, kan det forårsake stor skade!

MONTERING OG JUSTERING AV FREMRE HJELPEHÅNDTAK

Skyv fremre hjelpehåndtak inn på skaftet (Fig. E), og sett deretter tvingen inn i åpningen på håndtaket (Fig. F). Sett på låsehendelen og skru dem fast med vingemutteren (Fig. G). Fremgangsmåten vises i Fig. D. Til slutt regulerer du fremre hjelpehåndtak mellom den myke hylsen og etiketten slik at forsiden av armen din er rett når du bruker klipperen (Fig. H). Sett så hendelen i låst posisjon (Fig. I).

Se Fig. D og H under for beskrivelse av delene:

D-1	Fremre hjelpehåndtak	D-4	Vingemutter
D-2	Låsehendel	H-1	Myk hylse
D-3	Tvinge	H-2	Varselsetikett

MERK: Pass på at det fremre hjelpehåndtaket vender opp og peker mot toppen av det bakre håndtaket.

⚠ ADVARSEL: Fremre hjelpehåndtak skal bare festes mellom den myke hylsen og etiketten på skaftet.

⚠ ADVARSEL: Verktøyet kan ikke brukes uten at fremre hjelpehåndtak er godt festet.

PÅSETTING AV SKULDERREM

- Løsne skruen og ta den ut av kroken på remmen (Fig. J1 og J2).
- Fest kroken på skaftet som vist i Fig. J3, og lås den fast med skruen (Fig. J4).

⚠ ADVARSEL: Kroken på remmen må bare festes mellom apparathuset og den myke hylsen på skaftet.

DRIFT

⚠ ADVARSEL: Ikke la fortrolighet med dette produktet gjøre deg uforsiktig. Husk at et uforsiktig tiendedel av et sekund er nok til å forårsake alvorlige skader.

⚠ ADVARSEL: Bruk alltid vernebriller eller vernebriller med sidebeskyttelse, i tillegg til hørselsvern. Dersom dette ikke blir gjort, kan du få fremmedlegemer inn i øynene eller pådra deg andre alvorlige skader.

⚠ ADVARSEL: Ikke bruk tilbehør eller deler som ikke er anbefalt av produsenten av produktet. Bruk av tilbehør eller deler som ikke er anbefalt kan føre til alvorlige personskader.

⚠ ADVARSEL: For å unngå alvorlig personskade må batteripakken tas ut før service, rengjøring, bytte av tilbehør eller når du fjerner fremmedlegemer fra verktøyet. Du kan bruke dette produktet til de formålene som er oppført nedenfor:

Trimming: Trimming: brukes for å fjerne gress og ugress inntil vegger, gjerder, trær og grenser.

Kutting: brukes for å klippe gress som er vanskelig å komme til med en vanlig gressklipper.

MERK: Verktøyet skal bare brukes til det foreskrevne formålet sitt. All annen bruk, for eksempel kantklipping, anses for å være misbruk

AV-/PÅSETTING AV BATTERIPAKKEN

MERK: For å få bedre balanse når du bruker BA3360/BA4200/BA4200T/BA5600T-batterier, husk å ha på ryggsele (BH1000).

Lad helt opp før første gangs bruk.

Feste

Juster batteririllene så de er på linje med monteringssporene, og trykk batteripakken ned til du hører et klikk (Fig. K2).

Løsning

Trykk på batteriutløserknappen og trekk batteripakken ut som vist i Fig. L.

Se Fig. K1 og K2 under for beskrivelse av delene:

K-1	Batteripakke BA3360/BA4200 /BA4200T/BA5600T	K-4	Låsemekanisme
K-2	Adapter	K-5	Monteringsspor for batteri
K-3	Ryggsele		

HVORDAN HOLDE GRESSTRIMMEREN

⚠ ADVARSEL: Kle deg riktig for å redusere risikoen for skader når du bruker dette verktøyet. Ikke bruk løstsittende klær eller smykker. Bruk vernebriller og øre/hørselsvern. Bruk tunge og lange bukser, støvler og hansker. Ikke bruk korte bukser eller sandaler, og ikke gå barbert.

Før du skal til å bruke kantklipperen, holder du den med begge hender – én hånd på bakre håndtak og den andre på fremre hjelpehåndtak, som skal være rett (Fig. M). Kontroller så at du har et balansert fotfeste og riktig klippeavstand.

MERK: Trimmerhodet skal være parallelt med bakken i riktig klippeavstand uten at operatøren må bøye seg.

START/STOPP AV GRESSTRIMMEREN

For å starte

Trykk ned låseknappen og deretter utløseren. Forskjellig trykk på utløseren gir ulike rotasjonshastighet på skjæretråden. Mer trykk betyr høyere hastighet.

For å stoppe

Slipp låseknappen og utløseren.

MERK: Motoren går bare når både låseknapp og utløser er trykket ned.

ADVARSEL: Batteripakken må alltid fjernes fra gresstrimmeren under pauser og etter endt arbeid.

BRUKE GRESSTRIMMEREN

ADVARSEL: For å unngå alvorlige personskader skal det brukes briller eller vernebriller hele tiden mens du bruker denne enheten. Bruk en ansiktsmaske eller støvmaske i støvete omgivelser.

Rydd området som skal skjæres før hver bruk. Fjern alle gjenstander så som steiner, knust glass, spiker, ståltråd, eller line som kan kastes eller bli viklet inn i kuttedelene. Se til at området er fritt for barn, tilskuere og dyr. Minimum er at alle barn, tilskuere og dyr er minst 15 m unna; det kan fremdeles være fare for at forbigående treffes av gjenstander som slynges ut. Tilskuere bør oppmuntres til å bruke vernebriller. Hvis du blir kontaktet, stopper du motoren og kuttestyret umiddelbart.

Før hver bruk skal det sjekkes etter skadede/slitte deler

Sjekk støthodet, skjermen og det fremre hjelpehåndtaket, og bytt de delene som har sprekker, er vridd, bøyd eller skadet på noen måte.

Line-kutteskiven på kanten av skjermen kan bli sløv over tid. Det anbefales at du med jevne mellomrom skjærer den med en fil eller bytter den med et nytt blad.

ADVARSEL: Bruk alltid hansker når du setter på bladvernet eller reparerer det. Legg merke til hvor knivbladet er på bladvernet, og beskytt hendene dine så de ikke blir skadet.

Etter hver bruk, skal trimmeren rengjøres.

ADVARSEL: Hindringer i ventilene vil hindre luft fra å komme inn i motorhuset, og resultere i overoppheting eller skade på motoren.

Verktøyet skal bare rengjøres med mild såpe og en fuktig klut. Aldri la væske komme inn i verktøyet; aldri dypp noen del av verktøyet i væske.

- Hold lufteventiler i motorhuset og skaffet frie for rusk til enhver tid

ADVARSEL: Bruk aldri vann til rengjøring av trimmeren din. Unngå å bruke løsemidler når plastdeler skal rengjøres. De fleste plasttyper er utsatt for skader fra ulike typer kommersielle løsemidler. Bruk rene kluter for å fjerne skitt, støv, olje, fett, etc.

TIPS FOR Å FÅ BEST MULIG KLIPPERESULTAT (FIG. N)

- Riktig vinkel for skjæretilbehøret er parallelt med bakken.
- Ikke legg press på klipperen. La selve tuppen på tråden utføre klippingen (spesielt langs vegger). Klipper du med mer enn tuppen, vil dette redusere effekten og kan overbelaste motoren.
- Klippehøyden bestemmes av avstanden mellom skjæretråden og plenen.
- Gress som er over 20 cm høyt, bør klippes ved at du jobber systematisk fra topp til bunn i små felt så du unngår å slite for mye på tråden eller å belaste motoren.
- Beveg klipperen sakte inn og ut av området du arbeider med, og behold trimmerhodets posisjon i ønsket klippehøyde. Denne bevegelsen kan enten gå forover og bakover eller fra side til side. Å klippe kortere lengder vil gi best resultat.
- Klipp bare gress og ugress når det er tørt ute.
- Wire og gjerdestolper kan forårsake ekstra slitasje eller brudd på tråden. Stein og murvegger, fortau og trematerialer kan slite tråden raskt.
- Unngå trær og busker. Bark, trelister, fasadepanel og gjerdestolper kan fort få skader av skjæretråden.

Se Fig. N under for beskrivelse av delene:

N-1	Beste klippeområde	N-2	Farlig klippeområde
-----	--------------------	-----	---------------------

JUSTERING AV KUTTRELINGEN

Trimmerhodet gjør det mulig for brukeren å friggi mer skjæretråd uten å måtte stoppe motoren. Etter hvert som tråden blir frynset eller slitt, kan ekstra tråd frigis med et lett trykk på spoleholderen mot bakken mens kantklipperen er i gang (se Fig. O).

MERK: Lineutslippet blir vanskeligere ettersom kuttelinene blir kortere.

⚠ ADVARSEL: Ikke fjern eller endre linekuttingsbladets montering. Overdreven linelengde vil føre til at motoren overopphetes og kan resultere i alvorlig personskade.

BYTTE AV LINE

MERK: Bruk alltid den anbefalte nylontråden med en diameter som ikke overskrider 2,4 mm. Hvis du bruker en annen tråd enn den som er anbefalt, kan kantklipperen bli overopphetet eller skadet.

⚠ ADVARSEL: Det må aldri benyttes metallforsterket tråd, wire, tau e.l. Disse kan brenne og bli farlige prosjektiler.

Kantklipperen er utstyrt med et avansert trådspolingsystem. Skjæretråden kan spoles tilbake igjen bare ved å trykke på en knapp. Å spole helt

tilbake igjen tar 12 sekunder. Unngå gjentatt spoling flere ganger raskt etter hverandre så du ikke skader motoren.

1. Fjern batteripakken.
2. Fjern gjenværende skjæretråd hvis nødvendig. Dra den bare ut med hånden.
3. Skjær av et stykke tråd på 4 m. Før tråden inn i maljen (Fig. P), og skyv på tråden til enden kommer ut av maljen på den andre siden.

Se Fig. P under for beskrivelse av delene:

P-1	Skjæretråd	P-3	Malje
P-2	Nedre deksel		

4. Fjern batteriet hvis det ble montert i forrige trinn.
5. Dra i tråden fra den andre siden til det er like mye tråd på begge sider av trimmerhodet (Fig. Q).
6. Installer batteripakken i kantklipperen. Trykk og hold nede trådspolingsknappen for å starte spolingsmotoren. Tråden vil spoles opp på trimmerhodet i en kontinuerlig operasjon (Fig. R).
7. Hold øye med hvor mye trådlengde som er igjen. Vær forberedt på å slippe knappen så snart ca. 18 cm av tråden er igjen på hver side. Trykk kort på trådspolingsknappen for å justere trådlengden til ca. 14 cm vises på hver side.
8. Skyv trimmerhodet ned samtidig som du drar frem trådene manuelt for å sjekke at tråden er riktig installert.

MERK: Hvis tråden dras inn i trimmerhodet ved en feiltakelse, kan du åpne hodet og dra skjæretråden ut av spolen. Se avsnittet "SPOLE SKJÆRETRÅDEN PÅ NYTT" i denne håndboken for å spole tråden igjen.

SPOLE SKJÆRETRÅDEN PÅ NYTT

Hvis skjæretråden går i stykker der tråden kommer ut, eller den ikke utløses når du banker på trimmerhodet, kan du følge trinnene nedenfor for å fjerne resten av skjæretråden og spole den på nytt.

1. Trykk på de to utløserflikene på trimmerhodet, og ta av hodet ved å dra den rett ut (Fig. S-1 og S-2).
2. Fjern skjæretråden fra trimmerhodet og sett springfjæren inn i sporet på nedre deksel (Fig. T).
3. Mens den ene hånden holder trimmeren, bruker du den andre til å ta tak i nedre deksel og justerer sporene i denne så de er på linje med utløserflikene. Trykk på nedre deksel til det smekker på plass og du hører en tydelig klikkelyd (Fig. U).
4. Følg instruksjonene i "BYTTE TRÅD" for å sette skjæretråden på igjen.

Se Fig. S1, T og U nedenfor for beskrivelse av delene:

S1-1	Nedre deksel	U-1	Utløserflik
S1-2	Utløserflik	U-2	Spor
T-1	Springfjær		

NO

BYTTE AV TRIMMERHODE

⚠ ADVARSEL: Hvis trimmerhodet løsner etter at du har festet det, må det byttes umiddelbart. Ikke bruk en kantklipper med skjæretilbehør som sitter løst. Bytt et sprukket, skadet eller slitt trimmerhode umiddelbart, selv om skaden begrenser seg til overfladiske sprekker. Slikt tilbehør kan knuses i høy hastighet og medføre alvorlige skader.

Ta av trimmerhodet

1. Ta batteripakken ut av kantklipperen.
2. Trykk på de to utløserflikene på trimmerhodet, og ta av nedre deksel ved å dra det rett ut (Se Fig. S1 og S2).
3. Fjern skjæretråden fra trimmerhodet (Fig. V).
4. Ta ut springfjæren fra spolen hvis nødvendig. Ta vare på den til den skal settes på igjen.
5. Bruk hansker. Hold spolen fast med én hånd mens du med den andre bruker en muttertrekker til å løse mutteren i retning mot klokken (Fig. W).
6. Fjern mutter, skive, spol og øvre deksel fra motorakselen (Fig. X).
7. Bruk sikringsringtang for å fjerne sikringsringen. Ta ut viften (Fig. Y).
8. Bytt den ut med et nytt trimmerhode som monteres i følgende trinn:

Se Fig. W, X og Y for beskrivelse av delene nedenfor:

W-1	Muttertrekker	X-4	Mutter
X-1	Øvre deksel	Y-1	Vifte
X-2	Spol	Y-2	Sikringsring
X-3	Skive		

Installere det nye trimmerhodet

1. Juster nøkkelåpningen i viften slik at den er på linje med kilen på motorakselen, og monter viften (Fig. Z).
2. Sett på sikringsringen, øvre deksel, spol og skive i nevnte rekkefølge. Bruk muttertrekker for å stramme til mutteren.
3. Følg instruksjonene i **“SPOLE SKJÆRETRÅDEN PÅ NYTT”** i denne håndboken for å montere nedre deksel.
4. Følg instruksjonene i **“BYTTE TRÅD”** for å sette skjæretråden på igjen.
5. Start verktøyet for å se om kantklipperen fungerer normalt. Hvis den ikke gjør det, må du sette den sammen på nytt som beskrevet over.

Se Fig. Z under for beskrivelse av delene:

Z-1	Kile	Z-2	Nøkkelåpning
-----	------	-----	--------------

VEDLIKEHOLD

⚠ ADVARSEL: Ved service skal det bare brukes originale reservedeler. Inspiser og vedlikehold maskinen regelmessig. For sikre både sikkerheten og påliteligheten, skal alle reparasjoner utføres av en kvalifisert servicetekniker.

⚠ ADVARSEL: Batteriverktøy trenger ikke å være koblet til et strømmuttak; derfor er de alltid klare til bruk. For å unngå alvorlig personskade, skal det tas ekstra forholdsregler og utvises forsiktighet når du utfører vedlikehold, service eller bytting av kutteutstyr eller annet tilbehør.

⚠ ADVARSEL: For å unngå alvorlig personskade, tas batteriet ut av verktøyet før service, rengjøring, bytte av tilbehør eller fjerning av materiale fra enheten.

RENGJØRING AV ENHETEN

- Rengjør enheten med en fuktig klut og mildt rengjøringsmiddel.
- Ikke bruk sterke vaskemidler på plasthuset eller håndtaket. De kan bli skadet av visse aromatiske oljer, slik som furu og sitron, og av løsemidler som

parafin. Fuktighet kan også føre til fare for støt. Tørk av eventuell fuktighet med en myk, tørr klut.

- Bruk en liten pensel eller luftutslippet fra en liten støvsugerbørste til å holde luftventilene fri for hindringer på det bakre huset.

SKJERPING AV TRÅDSKJÆREBLAD

⚠ ADVARSEL: Beskytt alltid hendene med solide hansker når du utfører vedlikehold på trådskjærebladet.

1. Ta av trådskjærebladet på bladvernet.
2. Bruk passende vernebriller og -hansker, og vær forsiktig så du ikke skader deg selv.
3. Skru fast skjærebladet i en tvinge.
4. Fil skjærekantene på bladet forsiktig med en fintannet fil eller en skjærpestein, og pass på at du beholder den opprinnelige vinkelen på skjærekanten.
5. Sett skjærebladet på bladvernet igjen og fest det med de to skruene.

LAGRING AV ENHETEN

- Fjern batteripakken fra trimmeren når den ikke er i bruk.
- Rengjør verktøyet grundig før lagring.
- Lagre enheten tørt og godt ventilert, låst inne eller høyt oppe, og utilgjengelig for barn. Ikke oppbevar enheten på eller nær gjødsel, bensin eller andre kjemikalier.

Beskytt miljøet



Elektrisk utstyr, batterilader og batterier/oppladbare batterier skal ikke kastes i husholdningsavfall.

Ifølge EU-forskrift 2012/19/EU, skal elektrisk og elektronisk utstyr som ikke lenger er brukbart, og som i henhold til EU-forskrift 2006/66/EC har defekte eller brukte batteripakker/ batterier, samles inn separat.

Hvis elektrisk apparater kastes på søppelfyllinger, kan farlige stoffer lekke ut i grunnvannet og komme inn i næringskjeden, og forårsake skader på helse og velvære.

FEILSØKING

PROBLEM	ÅRSAK	LØSNING
Linetrimmeren vil ikke starte.	<ul style="list-style-type: none"> ■ Batteripakken er ikke festet til trimmeren. ■ Ingen elektrisk kontakt mellom trimmeren og batteriet. ■ Batteripakken er tom. ■ Låseknappen og utløseren er ikke trykket ned samtidig. 	<ul style="list-style-type: none"> ■ Fest batteripakken til trimmeren. ■ Fjern batteriet, sjekk kontakter og installer batteripakken. ■ Lad opp batteripakken. ■ Trykk ned låseknappen og hold den inne, og trykk deretter på utløseren for å slå på kantklipperen.
Skjærebladet kutter ikke tråden.	<ul style="list-style-type: none"> ■ Skjermen er ikke montert på trimmeren, noe som resulterer i altfor lang kutteline og overbelastning av motoren. ■ Tung kutteline brukes. ■ Motorakselen eller trimmerhodet er tettet av gress. ■ Motoren er overbelastet. ■ Batteripakken eller gresstrimmeren er for varm. ■ Batteripakken er koblet fra verktøyet. ■ Batteripakken er tom. 	<ul style="list-style-type: none"> ■ Ta ut batteripakken og fest skjermen på trimmeren. ■ Bruk alltid anbefalt skjæretråd av nylon med en diameter som ikke er større enn $\varnothing 2,4$ mm. ■ Stopp trimmeren, ta ut batteriet, og fjern gress fra motorakselen og trimmerhodet. ■ Fjern trimmerhodet fra gresset. Motoren vil begynne å arbeide igjen straks belastningen er fjernet. Når du kutter, flyttes trimmerhodet inn og ut av gresset som skal klippes, og ikke fjern mer enn 20 cm lengde i et enkelt kutt. ■ La batteripakken eller trimmeren kjøle seg ned til temperaturen synker under 67°C. ■ Installer batteripakken på nytt. ■ Lad opp batteripakken.

NO

PROBLEM	ÅRSAK	LØSNING
Trimmer head will not advance line	<ul style="list-style-type: none"> ■ Motorakselen eller trimmerhodet er tettet av gress. ■ Det er ikke nok tråd på spoleholderen. ■ Trimmerhodet er skittent. ■ Tråden har viklet seg inn i spoleholderen. ■ Linen er for kort. 	<ul style="list-style-type: none"> ■ Stopp trimmeren, ta ut batteriet, og fjern gress fra motorakselen og trimmerhodet. ■ Ta ut batteriet og sett på kuttelinen i henhold til avsnittet «LINEBYTTE» i denne bruksanvisningen. ■ Fjern batteriet og rens spoleholderen og spolebunnen. ■ Fjern batteriet, ta ut tråden av spoleholderen og spol tilbake; se avsnittet «BYTTE TRÅD» i denne håndboken. ■ Fjern batteriet og dra i trådene mens du vekselvis trykker ned og slipper opp trimmerhodet.
Grass wraps around trimmer head and motor housing	<ul style="list-style-type: none"> ■ Klipping av høyt gress på bakkenivå. 	<ul style="list-style-type: none"> ■ Klipp høyt gress fra toppen og ned, og ikke fjern mer enn 20 cm i hver passering, for å hindre opphopning.
The blade is not cutting the line.	<ul style="list-style-type: none"> ■ Linekappskiven på kanten av skjermen har blitt sløv. 	<ul style="list-style-type: none"> ■ Skjerp linekappskiven med en fil, eller bytt den ut med en ny.
Cracks on the trimmer head or the spool retainer comes loose with spool base.	<ul style="list-style-type: none"> ■ Trimmerhodet er utslitt. 	<ul style="list-style-type: none"> ■ Trimmerhodet må byttes umiddelbart av en kvalifisert reparatør.
During line replacement, the line can't be loaded into the trimmer head properly.	<ul style="list-style-type: none"> ■ Spoleholderens innlastingsstråd er ikke justert så de er på linje med maljene i spolebunnen. ■ Tråden er ikke satt inn riktig i monteringsåpningen i maljen. 	<ul style="list-style-type: none"> ■ Drei spoleholderen i pilens retning for å justere innlastingsstråden på spoleholderen så de er på linje med maljene i spolebunnen. ■ Juster først innlastingsstrådene så de er på linje med maljene, og før så tråden inn i maljens monteringsåpning.

NO

GARANTI

EGOs GARANTIREGLER

Besøk nettsiden egopowerplus.com for å se fullstendige vilkår og betingelser for EGO-garantireglene.

ПРОЧИТАЙТЕ ВСЕ ИНСТРУКЦИИ!



ПРОЧИТАЙТЕ РУКОВОДСТВО ПОЛЬЗОВАТЕЛЯ

⚠ Остаточные риски! Если вы используете электронные устройства, такие как кардиостимулятор, перед эксплуатацией данного устройства проконсультируйтесь с врачом. Использование электрооборудования в непосредственной близости от кардиостимулятора может привести к образованию помех и повреждению кардиостимулятора.

⚠ ПРЕДУПРЕЖДЕНИЕ. Чтобы обеспечить безопасность и надежность устройства, его ремонт и замену частей должен выполнять квалифицированный специалист.

СИМВОЛЫ БЕЗОПАСНОСТИ

Символы безопасности предназначены для привлечения внимания к возможным рискам. Символы безопасности, а также объяснения к ним, требуют особого внимания и понимания. Предупреждения по технике безопасности сами по себе не устраняют опасность. Инструкции и предупреждения не заменяют соответствующие меры по предотвращению несчастных случаев.

⚠ ПРЕДУПРЕЖДЕНИЕ. Перед использованием устройства внимательно прочитайте все инструкции в данном руководстве пользователя и ознакомьтесь с предупреждающими символами безопасности, такими как «ОПАСНОСТЬ», «ПРЕДУПРЕЖДЕНИЕ» и «ВНИМАНИЕ». Несоблюдение всех приведенных ниже инструкций может привести к поражению электрическим током, возникновению пожара и/или получению серьезных травм.

ЗНАЧЕНИЕ СИМВОЛОВ

ПРЕДУПРЕЖДАЮЩИЙ СИМВОЛ Означает **УВЕДОМЛЕНИЯ, ПРЕДУПРЕЖДЕНИЯ и ПРЕДОСТЕРЕЖЕНИЯ.** Может использоваться с другими символами или изображениями.






ИНСТРУКЦИЯ ПО ТЕХНИКЕ БЕЗОПАСНОСТИ

Далее приведено изображение и описание символов безопасности, которые могут присутствовать на данном устройстве. Перед сборкой или использованием внимательно прочитайте все инструкции, приведенные на устройстве, и соблюдайте их.

	Предупреждение об опасности	Указывает на потенциальную опасность получения травмы.
	Внимательно прочитайте руководство пользователя.	Чтобы уменьшить риск получения травм, перед использованием устройства необходимо прочитать и понять руководство по эксплуатации.
	Надевайте защитные очки.	При работе с данным устройством всегда используйте защиту для глаз или защитные очки с боковыми щитками и полнопрофильную защитную маску.
	Используйте средства защиты органов слуха.	Всегда используйте средства защиты органов слуха (наушники или беруши).
	Ширина резания	Макс. ширина резания триммера с леской
	Диаметр лески	Диаметр нейлоновой режущей лески
	Используйте защитный головной убор.	Используйте надежную каску для защиты головы.

RU

	Используйте защитные перчатки.	При работе с режущим элементом и щитком надевайте защитные перчатки. Прочные перчатки из нескользящих материалов улучшат захват инструмента и защитят руки.
	Используйте надежную обувь.	При использовании устройства надевайте надежную нескользящую обувь.
	Остерегайтесь отдачи режущего элемента.	Предупредите оператора об опасности отдачи режущего элемента.
	Возможен рикошет, не позволяйте посторонним людям находиться поблизости.	Отброшенные предметы могут отскочить и привести к травмам или повреждению имущества. Убедитесь, что другие люди и животные находятся на расстоянии от работающего устройства.
	Не позволяйте посторонним людям находиться поблизости.	Убедитесь, что другие люди и животные находятся на расстоянии не менее 15 м от работающего устройства.
	Не используйте круглые режущие элементы.	Не используйте круглые режущие элементы.

	Не оставляйте под дождем.	Во время дождя не используйте устройство и не оставляйте его вне помещения.
	CE	Соответствует основным требованиям стандартов безопасности Европейских директив.
	WEEE	Неисправные электрические устройства нельзя выбрасывать вместе с бытовым мусором. Сдавайте их в авторизованные пункты сбора и утилизации.
	Шум	Гарантированный уровень звуковой мощности. Уровень шума в окружающей среде в соответствии с директивой ЕС.
V	Вольт	Напряжение
	Постоянный ток	Тип или характеристика тока
n_0	Скорость работы без нагрузки	Скорость вращения без нагрузки
min^{-1}	В минуту	Оборотов в минуту

ОБЩИЕ ПРАВИЛА ТЕХНИКИ БЕЗОПАСНОСТИ ПРИ РАБОТЕ С ЭЛЕКТРОИНСТРУМЕНТАМИ

⚠ ПРЕДУПРЕЖДЕНИЕ. Прочитайте все правила безопасности, инструкции, иллюстрации и спецификации, прилагаемые к этому электроинструменту. Невыполнение изложенных ниже инструкций может привести к поражению электрическим током, пожару и (или) тяжелым травмам.

Сохраните все предупреждения и инструкции для использования в будущем.

Термин «электроинструмент» в предупреждениях означает электрический инструмент с питанием от сети (с кабелем) или электрический инструмент с питанием от аккумулятора (без кабеля).

БЕЗОПАСНОСТЬ РАБОЧЕГО МЕСТА

- **Обеспечьте чистоту и освещенность рабочего места.** Загроможденные и плохо освещенные места служат причиной несчастных случаев.
- **Не используйте электроинструменты во взрывоопасных местах, например вблизи горючих жидкостей, газов или пыли.** Электроинструменты генерируют искры, которые могут воспламенить пыль или испарения.
- **Не позволяйте детям и посторонним находиться вблизи работающего электроинструмента.** Отвлекающие факторы могут привести к потере контроля.
- **Не тянитесь. Всегда сохраняйте устойчивое положение и равновесие.** Это позволит лучше контролировать электроинструмент в непредвиденных ситуациях.
- **Одевайтесь надлежащим образом. Не надевайте свободную одежду и украшения. Держите волосы, одежду и перчатки подальше от движущихся частей.** Свободная одежда, украшения и длинные волосы могут попасть в движущиеся части.
- **При наличии устройств для отвода и сбора пыли убедитесь, что они подключены и правильно работают.** Использование пылеулавливающих устройств снижает вред, причиняемый пылью.
- **Не допускайте небрежности, которая может возникнуть из-за частого использования инструмента и повлечь за собой самоуверенность и игнорирование правил безопасности.** Неосторожное действие может причинить серьезную травму за доли секунды.

ЛИЧНАЯ БЕЗОПАСНОСТЬ

- **При использовании электроинструмента будьте бдительны, следите за своими действиями и следуйте здравому смыслу. Не пользуйтесь электроинструментом, если вы устали или находитесь под воздействием наркотиков, алкоголя или медикаментов.** Даже кратковременная невнимательность при работе с электроинструментом может привести к тяжелым травмам.
- **Используйте средства индивидуальной защиты.** Всегда используйте защитные средства для глаз. Использование защитных средств, таких как респиратор, нескользкая защитная обувь, каска и средства защиты органов слуха в соответствующих условиях уменьшает риск получения травм.
- **Не допускайте непредвиденных запусков. Перед подключением инструмента к сети питания (или аккумулятору) и перед его переноской убедитесь, что выключатель находится в выключенном положении.** Не держите палец на выключателе при переноске электроинструментов и не включайте вилку в розетку, если электроинструмент включен. Это может привести к несчастному случаю.
- **Перед включением электроинструмента снимите с него регулировочные инструменты и гаечные ключи.** Регулировочный инструмент или гаечный ключ, оставленный на вращающейся части электроинструмента, может стать причиной травмы.

ИСПОЛЬЗОВАНИЕ И ОБСЛУЖИВАНИЕ ЭЛЕКТРОИНСТРУМЕНТА

- **Не прикладывайте к электроинструменту чрезмерных усилий. Используйте подходящий для ваших задач электроинструмент.** Правильно выбранный электроинструмент более эффективен и безопасен при номинальной нагрузке.
- **Не используйте электроинструмент, если его выключатель неисправен.** Электроинструменты с неисправным выключателем опасны и подлежат ремонту.
- **Храните неиспользуемые электроинструменты в местах, недоступных для детей, и не доверяйте электроинструмент лицам, не знакомым с ним и с этими инструкциями.** Электроинструменты опасны в руках неподготовленных пользователей.
- **Выполняйте техническое обслуживание электроинструментов и принадлежностей. Проверьте выравнивание и сцепление подвижных деталей, наличие поломок и прочие условия, которые могут повлиять на работу электроинструмента. Если электроинструмент поврежден, перед использованием его необходимо отремонтировать.** Недостаточный уход за электроинструментом является причиной многих несчастных случаев.
- **Храните режущие инструменты в чистоте и заточенном состоянии.** Правильно обслуживаемые и хорошо заточенные режущие инструменты меньше заклинивают и лучше контролируются.

- Используйте электроинструмент, аксессуары, насадки и т. п. в соответствии с этими инструкциями, учитывая условия и специфику выполняемой работы. Использование электроинструмента для выполнения непредусмотренных операций может привести к опасным ситуациям.
- Следите за тем, чтобы рукоятки и поверхности захвата были сухими и чистыми и на них не было масла или смазочного материала. Скользкие рукоятки и поверхности захвата не позволяют безопасно использовать инструмент и контролировать его в непредвиденных ситуациях.
- Держите кабели подальше от рабочей зоны инструмента. Во время использования кабель может исчезнуть из поля зрения и случайно попасть под инструмент.

ЭКСПЛУАТАЦИЯ И ОБСЛУЖИВАНИЕ ИНСТРУМЕНТА С ПИТАНИЕМ ОТ АККУМУЛЯТОРА

RU

- Заряжайте аккумуляторы только с помощью зарядного устройства, указанного изготовителем. Зарядное устройство, предназначенное для одного типа аккумуляторных батарей, может стать причиной пожара при использовании с другим типом батарей.
- Используйте электроинструмент только со специально предназначенными для него аккумуляторами. Использование любого другого вида аккумуляторных батарей может стать причиной несчастных случаев или пожара.
- Когда аккумулятор не используется, храните его отдельно от металлических предметов — канцелярских скрепок, монет, ключей, гвоздей, винтов и др. — они могут соединить контакты. Короткое замыкание контактов аккумуляторной батареи может стать причиной ожогов или пожара.
- При неблагоприятных обстоятельствах из аккумулятора может потечь электролит; избегайте контакта с ним. При случайном контакте промойте водой. Если жидкость попала в глаза, обратитесь к врачу. Жидкость из аккумуляторной батареи может вызвать раздражение и ожоги.
- Не используйте аккумулятор и инструмент, если они повреждены или подвергались модификациям. Поведение поврежденных или модифицированных аккумуляторов может быть непредсказуемым, что приведет к возгоранию, взрыву и риску получения травм.
- Не подвергайте аккумуляторную батарею и инструмент воздействию огня и высокой температуры. Воздействие огня или температуры выше 100°C может привести к взрыву.
- Следуйте всем инструкциям по зарядке и не заряжайте аккумулятор и инструмент при температуре, выходящей за пределы указанного диапазона. Если зарядка выполняется неправильно или в условиях неподходящей температуры, это может привести к повреждению аккумулятора и возгоранию.

РЕМОНТ

- Ремонт электроинструмента должен производиться квалифицированным специалистом с использованием только идентичных запасных частей. Это обеспечит безопасную работу электроинструмента.
- Никогда не выполняйте обслуживание поврежденного аккумулятора. Обслуживание аккумуляторов должно выполняться только производителем или в авторизованном сервисном центре.

⚠ ПРЕДУПРЕЖДЕНИЕ. Прочитайте все правила безопасности, инструкции, иллюстрации и спецификации, прилагаемые к этому электроинструменту. Невыполнение изложенных ниже инструкций может привести к поражению электрическим током, пожару и (или) тяжелым травмам. Сохраните все предупреждения и инструкции для использования в будущем.

Сохраните все предупреждения и инструкции для использования в будущем.

ОБУЧЕНИЕ

- Внимательно прочитайте инструкцию. Ознакомьтесь со всеми элементами управления и научитесь правильному использованию оборудования.
- Не разрешайте пользоваться устройством лицам, не прочитавшим настоящие инструкции, а также детям. Местные нормы могут ограничивать возраст оператора.
- Помните, что оператор или владелец несут ответственность за несчастные случаи и ущерб, нанесенный другим людям или их имуществу.

ПОДГОТОВКА

- Не используйте устройство, если рядом находятся люди (особенно дети) или животные.
- При работе с устройством надевайте защитные очки и прочную обувь.
- Расстояние между устройством и посторонними лицами должно составлять не менее 15 м.
- Никогда не пользуйтесь устройством, если вы устали, больны или находитесь в состоянии алкогольного или наркотического опьянения.

ЭКСПЛУАТАЦИЯ

- Используйте инструмент только при дневном свете или хорошем искусственном освещении.
- Не используйте инструмент, если щитки повреждены или не установлены.
- Перед запуском двигателя убедитесь, что режущие элементы находятся на достаточном расстоянии от рук и ног.
- Всегда отключайте устройство от источника питания (т. е. извлекайте аккумулятор) в следующих случаях:
 - если инструмент остается без присмотра;
 - перед очисткой засорения;
 - перед проверкой, очисткой или обслуживанием устройства.
 - после столкновения с посторонним предметом;
 - в случае чрезмерной вибрации устройства.
- Чтобы не допустить получения травм, руки и ноги должны находиться на безопасном расстоянии от режущих частей.
- Следите за тем, чтобы вентиляционные отверстия не были засорены.

ОБСЛУЖИВАНИЕ И ХРАНЕНИЕ

- Прежде чем выполнять обслуживание или очистку, всегда отключайте устройство от источника питания (т. е. извлекайте аккумулятор).
- Используйте только запасные части и дополнительные приспособления, рекомендованные производителем.
- Регулярно проверяйте устройство и выполняйте его обслуживание. Ремонт устройства должен выполнять только квалифицированный специалист.
- Если инструмент не используется, храните его в недоступном для детей месте.

ДОПОЛНИТЕЛЬНЫЕ ПРЕДУПРЕЖДЕНИЯ ПО ТЕХНИКЕ БЕЗОПАСНОСТИ

- Не допускайте работы в опасных условиях. Не используйте устройство на влажных и мокрых склонах.
- Защитные ограждения должны быть установлены и находиться в рабочем состоянии.
- Всегда держите руки и ноги подальше от режущих частей.
- Чтобы снизить риск получения травм, никогда не работайте на стремянке или на любой другой неустойчивой поверхности. Никогда не поднимайте режущий элемент выше уровня талии.
- Регулярно проверяйте режущий элемент во время использования, а также сразу после обнаружения серьезных изменений в работе устройства.
- Для достижения наилучших результатов аккумулятор следует заряжать при температуре окружающей среды от 5 до 40 °C. Не храните его вне помещения или в транспортном средстве.

- В случае приближения к препятствиям или посторонним лицам остановите двигатель и режущий элемент.
- Предупредите оператора об опасности отдачи режущего элемента (только при использовании режущего элемента с тремя зубцами).
 - Отдача возникает при контакте вращающегося режущего элемента с объектом, который он не может сразу разрезать.
 - Отдача может быть достаточно сильной, чтобы оттолкнуть устройство и/или оператора в любом направлении и привести к потере контроля над устройством.
 - Отдача может возникнуть внезапно, если режущий элемент зацепился, застрял или зажался.
 - Отдача наиболее вероятна в таких ситуациях, когда обрабатываемый материал плохо видно.
- Не прикрепляйте никакие режущие элементы к устройству без надлежащей установки всех необходимых частей. Несоблюдение рекомендаций по установке надлежащих частей может привести к отлетанию режущего элемента и нанесению серьезных травм оператору и/или посторонним лицам. Заменяйте погнутые, изношенные, треснувшие, сломанные или как-либо иначе поврежденные режущие элементы. Используйте только острые режущие элементы. Тупой режущий элемент чаще застревает и провоцирует отдачи (только при использовании режущего элемента с тремя зубцами).
- Режущий элемент или леска по инерции могут нанести травмы во время вращения даже при остановке двигателя или отпуске курка. Сохраняйте полный контроль над устройством, пока режущий элемент или леска полностью не остановится.
 - Используйте только аккумуляторы и зарядные устройства, указанные на рис. А.
- Работающие от аккумуляторов инструменты не требуют подключать к розетке электросети, поэтому они всегда готовы к использованию. Помните о возможности возникновения опасных ситуаций даже когда устройство не используется. Соблюдайте осторожность при выполнении технического обслуживания или ремонта.
- Не мойте устройство из шланга. Избегайте попадания воды в двигатель и электрические соединения.
- При возникновении ситуаций, не описанных в данном руководстве, соблюдайте осторожность и руководствуйтесь здравым смыслом. Обратитесь в сервисный центр EGO за помощью.

СОХРАНИТЕ ДАННЫЕ ИНСТРУКЦИИ!

RU

ТЕХНИЧЕСКИЕ ХАРАКТЕРИСТИКИ

Напряжение	56 В ---	
Скорость вращения без нагрузки	4000-5800 об/мин	
Режущий механизм	Головка катушки	
Тип режущей лески	Нейлоновая крученая леска 2,4 мм	
Ширина резания	38 см	
Рекомендуемая рабочая температура	От 0 до 40 °С	
Рекомендуемая температура хранения	от -20 до -70 °С	
Масса (без аккумулятора)	3,2 кг	
Измеренный уровень звуковой мощности L_{WA}	92,6 дБ (А) K=0,8 дБ (А)	
Уровень звукового давления на уши оператора L_{PA}	72,6 дБ (А) K=2,5 дБ(А)	
Гарантированный уровень звуковой мощности L_{WA} (в соответствии со стандартом 2000/14/ЕС)	93 дБ (А)	
Вибрация a_h	Передняя вспомогательная рукоятка	3,5 м/с ² K=1,5 м/с ²
	Задняя рукоятка	2,1 м/с ² K=1,5 м/с ²

- Указанный общий показатель уровня вибрации был определен с помощью стандартного теста и может быть использован для сравнения разных инструментов.
- Указанный общий уровень вибрации может использоваться также для предварительной оценки уровня воздействия.

ПРИМЕЧАНИЕ. Реальное вибрационное воздействие электроинструмента может отличаться от указанного в зависимости от способа использования. В целях безопасности оператор должен надевать перчатки и средства защиты органов слуха во время использования устройства.

УПАКОВОЧНЫЙ ЛИСТ

НАЗВАНИЕ ДЕТАЛИ	КОЛИЧЕСТВО
Триммер с леской	1
Щиток	1
Узел передней вспомогательной рукоятки	1
Наплечный ремень	1
Шестигранный ключ	1
Руководство по эксплуатации	1
Режущая леска	1

ОПИСАНИЕ

ЧАСТИ ТРИММЕРА С ЛЕСКОЙ (РИС. А)

1. Задняя рукоятка
2. Курковый переключатель (курок)
3. Кнопка блокировки
4. Регулируемая передняя вспомогательная рукоятка
5. Наплечный ремень
6. Вал
7. Щиток
8. Кнопка фиксации аккумулятора
9. Фиксатор
10. Электрические контакты
11. Выталкивающий механизм
12. Головка триммера (катушки)
13. Кнопка загрузки лески
14. Режущая леска
15. Фиксатор
16. Лезвие для обрезки лески
17. Шестигранный ключ

СБОРКА

▲ ПРЕДУПРЕЖДЕНИЕ. Если какие-либо части повреждены или отсутствуют, не используйте устройство, пока они не будут заменены. Использование устройства в случае повреждения или отсутствия частей может привести к получению серьезной травмы.

⚠ ПРЕДУПРЕЖДЕНИЕ. Не пытайтесь изменить конструкцию триммера или создать не рекомендованные для него дополнительные приспособления. Подобное изменение считается ненадлежащим использованием и способствует возникновению опасной ситуации, которая приведет к получению серьезной травмы.

⚠ ПРЕДУПРЕЖДЕНИЕ. Чтобы предотвратить случайное включение устройства и получение серьезной травмы, во время сборки извлекайте аккумулятор.

УСТАНОВКА ЩИТКА

⚠ ПРЕДУПРЕЖДЕНИЕ. Всегда надевайте перчатки при установке и демонтаже щитка. Остерегайтесь лезвия на щитке и берегите руки от порезов.

⚠ ПРЕДУПРЕЖДЕНИЕ. Никогда не используйте устройство без надежно установленного щитка. Щиток всегда должен быть установлен на устройство для защиты пользователя! Не пытайтесь снимать или регулировать установленный щиток. Если щиток необходимо заменить, эту работу должен выполнить квалифицированный специалист по обслуживанию!

Совместите два болта, вставленные в щиток, с двумя резьбовыми отверстиями на валу (Рис. В). Закрутите болты прилагаемым шестигранным ключом (Рис. С).

Убедитесь, что щиток установлен так, как показано на Рис. В и С. Любое другое положение может быть очень опасным!

УСТАНОВКА И РЕГУЛИРОВКА ПЕРЕДНЕЙ ВСПОМОГАТЕЛЬНОЙ РУКОЯТКИ

Наденьте переднюю вспомогательную рукоятку на вал (Рис. Е), затем вставьте зажимной блок в отверстие рукоятки (Рис. F), установите фиксатор и закрепите их при помощи барашковой гайки (Рис. G). Последовательность указана на Рис. D. Отрегулируйте положение передней вспомогательной рукоятки между мягкой накладкой и этикеткой таким образом, чтобы передняя рука была полностью выпрямлена во время использования триммера (Рис. H), а затем заблокируйте рычаг стопора (Рис. I).

Описание частей на Рис. D и H

D-1	Передняя вспомогательная рукоятка	D-4	Барашковая гайка
D-2	Стопор	H-1	Мягкая накладка
D-3	Зажим	H-2	Предупреждающая этикетка

ПРИМЕЧАНИЕ. Передняя вспомогательная рукоятка должна быть повернута вверх, чтобы располагаться напротив верхней части задней рукоятки.

⚠ ПРЕДУПРЕЖДЕНИЕ. Фиксируйте переднюю вспомогательную рукоятку только между мягкой накладкой и этикеткой на валу.

⚠ ПРЕДУПРЕЖДЕНИЕ. Не используйте устройство без надежно установленной передней вспомогательной рукоятки.

УСТАНОВКА НАПЛЕЧНОГО РЕМНЯ

1. Открутите и извлеките болт на хомуте ремня (Рис. J1 и J2).
2. Прикрепите хомут к валу, как показано на Рис. J3, и зафиксируйте его при помощи болта (Рис. J4).

⚠ ПРЕДУПРЕЖДЕНИЕ. Фиксируйте хомут ремня только между корпусом и мягкой накладкой вала.

ИСПОЛЬЗОВАНИЕ

⚠ ПРЕДУПРЕЖДЕНИЕ. Не допускайте небрежности и беспечности при работе с устройством. Помните, что потери бдительности на долю секунды достаточно для получения серьезной травмы.

⚠ ПРЕДУПРЕЖДЕНИЕ. При работе с данным устройством всегда используйте защитные очки или защитные очки с боковыми щитками, а также средства защиты органов слуха. В противном случае выбрасываемые предметы могут попасть в глаза, что приведет к получению серьезной травмы.

⚠ ПРЕДУПРЕЖДЕНИЕ. Не используйте насадки или дополнительные приспособления, не рекомендованные производителем устройства. Использование нереконструированных дополнительных приспособлений может привести к серьезным травмам.

⚠ ПРЕДУПРЕЖДЕНИЕ. Чтобы предотвратить получение серьезных травм, извлекайте аккумулятор перед выполнением сервисного обслуживания, очистки, замены принадлежностей или удаления материала из устройства.

ДАННОЕ УСТРОЙСТВО МОЖНО ИСПОЛЬЗОВАТЬ В СЛЕДУЮЩИХ ЦЕЛЯХ.

СКАШИВАНИЕ: используется для удаления травы и сорняков рядом со стенами, заборами, деревьями и бордюрами.

РЕЗКА: используется для скашивания травы, которую трудно достать при помощи обычной газонокосилки.

ПРИМЕЧАНИЕ. Инструмент должен использоваться только по назначению. Любое другое использование (например, обрезка кустов) считается неправильным.

УСТАНОВКА И ДЕМОНТАЖ АККУМУЛЯТОРА

ПРИМЕЧАНИЕ. Для обеспечения равновесия используйте аккумуляторы ВА3360/ВА4200/ВА4200Т/ВА5600Т в сочетании с ранцевой обвязкой (ВН1000).

ПЕРЕД ПЕРВЫМ ИСПОЛЬЗОВАНИЕМ ПОЛНОСТЬЮ ЗАРЯДИТЕ АККУМУЛЯТОР.

УСТАНОВКА

Совместите ребра аккумулятора с крепежными отверстиями и вставьте аккумулятор до щелчка (Рис. К2).

ДЕМОНТАЖ

Нажмите кнопку фиксации аккумулятора и извлеките аккумулятор, как показано на Рис. L.

Описание частей на Рис. К1 и К2

К-1	Аккумулятор ВА3360/ВА4200/ ВА4200Т/ ВА5600Т	К-4	Фиксатор
К-2	Переходник	К-5	Отсек для аккумулятора
К-3	Ранцевая обвязка		

ОБРАЩЕНИЕ С ТРИММЕРОМ С ЛЕСКОЙ

▲ ПРЕДУПРЕЖДЕНИЕ. Одевайтесь надлежащим образом, чтобы снизить риск получения травм при использовании данного инструмента. Не надевайте свободную одежду и украшения. Наденьте защиту органов зрения и слуха. Надевайте плотные длинные брюки, прочную обувь и перчатки. Не надевайте шорты, сандалии и не работайте босиком.

Перед началом работы возьмите триммер обеими руками: одной рукой за заднюю рукоятку, а другой — за переднюю вспомогательную рукоятку таким образом, чтобы рука была полностью выпрямлена (Рис. М). Затем примите устойчивое положение, соблюдая надлежащее расстояние для работы.

ПРИМЕЧАНИЕ. Головка триммера должна располагаться параллельно земле на таком расстоянии, при котором оператору не нужно тянуться и перегибаться.

ВКЛЮЧЕНИЕ И ВЫКЛЮЧЕНИЕ ТРИММЕРА С ЛЕСКОЙ

ВКЛЮЧЕНИЕ

Нажмите на кнопку блокировки, затем нажмите курковый переключатель. Сила нажатия на курок влияет на скорость вращения лески. Чем сильнее нажат курок, тем выше скорость.

ВЫКЛЮЧЕНИЕ

Отпустите кнопку блокировки и курковый переключатель.

ПРИМЕЧАНИЕ. Двигатель работает только в том случае, когда кнопка блокировки и курок зажаты одновременно.

▲ ПРЕДУПРЕЖДЕНИЕ. Во время перерывов в работе и после ее окончания всегда извлекайте аккумулятор из триммера.

ИСПОЛЬЗОВАНИЕ ТРИММЕРА С ЛЕСКОЙ

▲ ПРЕДУПРЕЖДЕНИЕ. Во избежание травм всегда надевайте защитные очки при работе с данным устройством. Надевайте маску или респиратор при работе в пыльной среде.

Очищайте обрабатываемый участок перед каждым использованием инструмента. Удалите такие предметы, как камни, осколки стекла, гвозди, проволоку или веревки, которые могут запутаться в режущем приспособлении или которые оно может отбросить. На участке не должны находиться дети, прохожие и животные. Дети, прохожие и животные должны находиться на расстоянии не менее 15 м, так как во время работы могут отлететь предметы. Посторонние лица должны надевать защитные очки. В случае приближения посторонних лиц немедленно остановите двигатель и режущее приспособление.

ПЕРЕД КАЖДЫМ ИСПОЛЬЗОВАНИЕМ ПРОВЕРЯЙТЕ УСТРОЙСТВО НА НАЛИЧИЕ ПОВРЕЖДЕННЫХ И ИЗНОШЕННЫХ ЧАСТЕЙ.

Проверьте головку катушки, щиток и переднюю вспомогательную рукоятку и замените треснувшие, деформированные, изогнутые или поврежденные части.

Лезвие для обрезки лески на краю щитка может время от времени затупляться. Рекомендуется периодически затачивать его напильником или заменять новым.

▲ ПРЕДУПРЕЖДЕНИЕ. Всегда надевайте перчатки при установке щитка и обслуживании режущего элемента. Остерегайтесь лезвия на щитке и берегите руки от порезов.

ОЧИЩАЙТЕ ТРИММЕР ПОСЛЕ КАЖДОГО ИСПОЛЬЗОВАНИЯ.

▲ ВНИМАНИЕ! Загрязнения в вентиляционных отверстиях могут помешать попаданию воздуха в корпус двигателя и привести к перегреву и повреждению двигателя.

Для очистки устройства используйте только слабый мыльный раствор и влажную ткань. Никогда не допускайте попадания какой-либо жидкости внутрь инструмента и никогда не погружайте никакие части инструмента в жидкость.

- Следите за тем, чтобы вентиляционные отверстия на корпусе двигателя и вале всегда были чистыми

⚠ ПРЕДУПРЕЖДЕНИЕ. Никогда не используйте воду для очистки триммера. Не используйте растворители для очистки пластиковых элементов. Большинство пластиковых частей чувствительны к различным бытовым растворителям. Для очистки от грязи, пыли, масла, смазки и т. п. используйте чистую ткань.

СОВЕТЫ ПО ЭФФЕКТИВНОМУ ИСПОЛЬЗОВАНИЮ ТРИММЕРА (РИС. N)

- Режущая насадка должна быть параллельна земле.
- Не прилагайте к триммеру чрезмерных усилий. Старайтесь, чтобы срезание выполнялось самым кончиком лески (особенно вдоль стен). Несоблюдение этой рекомендации может привести к снижению эффективности срезания и перегрузке двигателя.
- Высота скашивания определяется расстоянием режущей лески от поверхности газона.
- Траву высотой более 20 см следует скашивать постепенно сверху вниз, чтобы избежать преждевременного износа лески и перегрузки двигателя.
- Медленно перемещайте триммер в области скашивания, поддерживая положение головки на нужной высоте. Это может быть движение как вперед-назад, так и из стороны в сторону. Чем меньше срезаемая длина, тем лучше результат.
- Подстригайте только сухую траву.
- Контакт с проволоочной изгородью или частоколом может привести к износу и повреждению лески. Каменные и кирпичные стены, бордюры и древесина способствуют быстрому износу лески.
- Избегайте контакта лески с деревьями и кустами. Леска может повредить древесную кору, деревянные изделия, облицовку и столбы ограды.

Описание частей на Рис. N

N-1	Оптимальная область скашивания	N-2	Опасная область скашивания
-----	--------------------------------	-----	----------------------------

РЕГУЛИРОВКА ДЛИНЫ РЕЖУЩЕЙ ЛЕСКИ

Режущая головка позволяет оператору вытянуть дополнительное количество лески, не выключая

двигатель. Если леска износилась во время использования триммера, слегка прижмите фиксатор катушки к земле, чтобы вытянуть дополнительную леску (Рис. O).

ПРИМЕЧАНИЕ. Регулировку сложнее выполнять, когда режущая леска становится короткой.

⚠ ПРЕДУПРЕЖДЕНИЕ. Не демонтируйте и не изменяйте узел лезвия для обрезки лески. Слишком длинная леска может стать причиной перегрева двигателя и серьезных травм.

ЗАМЕНА ЛЕСКИ

ПРИМЕЧАНИЕ. Всегда используйте рекомендованную нейлоновую режущую леску диаметром не более 2,4 мм. Использование лески, не отвечающей техническим характеристикам устройства, может привести к перегреву или повреждению триммера.

⚠ ПРЕДУПРЕЖДЕНИЕ. Никогда не используйте усиленную металлом леску, проволоку, веревку и т. д. Части этих материалов могут отделяться и опасно разлетаться в стороны.

Триммер оборудован усовершенствованной системой автоматического сматывания лески. Для наматывания лески на катушку достаточно нажать на кнопку. Полное наматывание

катушки обычно занимает не более 12 секунд. Чтобы уменьшить вероятность повреждения двигателя, не допускайте многократной работы системы намотки в быстрой последовательности.

1. Извлеките аккумулятор.
2. При необходимости извлеките оставшуюся леску. Просто вытяните ее вручную.
3. Отрежьте кусок лески длиной 4 м. Вставьте леску в ушко (Рис. P) и протяните ее так, чтобы конец лески вышел из противоположного ушка.

Описание частей на Рис. P

P-1	Режущая леска	P-3	Ушко
P-2	Нижняя крышка		

4. Извлеките аккумулятор, если он был установлен в триммер при выполнении предыдущего шага.
5. Вытяните леску с другой стороны таким образом, чтобы с обеих сторон головки триммера леска была одинаковой длины (Рис. Q).
6. Установите аккумулятор в триммер. Нажмите и удерживайте кнопку загрузки лески, чтобы запустить мотор. Леска будет смотана в головку триммера (Рис. R).

- Внимательно следите за длиной лески. Будьте готовы отпустить кнопку, как только с каждой стороны останется приблизительно 18 см лески. После этого отрегулируйте длину лески краткими нажатиями на кнопку загрузки, чтобы с каждого конца осталось по 14 см лески.
- Прижмите головку триммера и одновременно вытяните обе лески, чтобы вручную отрегулировать длину и проверить правильность установки.

ПРИМЕЧАНИЕ. Если вся леска оказалась случайно затянута в головку триммера, откройте головку и вытяните леску из катушки. Для регулировки лески выполните инструкции в разделе «УСТАНОВКА ЛЕСКИ» данного руководства.

УСТАНОВКА ЛЕСКИ

Если режущая леска выскочила из отверстия или не вытягивается при нажатии на головку триммера, выполните следующие действия для извлечения оставшейся лески и установки новой.

- Нажмите на два фиксатора на головке триммера и потяните ее, чтобы снять (Рис. S-1 и S-2).
- Извлеките леску из головки триммера и вставьте пружину в паз в нижней крышке (Рис. T).
- Удерживая триммер одной рукой, другой рукой возьмитесь за нижнюю крышку и совместите пазы в нижней крышке с фиксаторами. Прижмите нижнюю крышку таким образом, чтобы она зафиксировалась на месте с характерным щелчком (Рис. U).
- Инструкции по установке режущей лески см. в разделе «ЗАМЕНА ЛЕСКИ».

Описание частей на Рис. S1, T и U

S1-1	Нижняя крышка	U-1	Фиксатор
S1-2	Фиксатор	U-2	Паз
T-1	Пружина		

ЗАМЕНА ГОЛОВКИ ТРИММЕРА

⚠ ПРЕДУПРЕЖДЕНИЕ. Если головка шатается после установки на место, немедленно замените ее. Никогда не используйте триммер, если какие-либо его части плохо закреплены. Немедленно замените головку, если она треснула, повреждена или изношена, даже если повреждение находится только на поверхности. Поврежденные элементы могут разрушиться на высокой скорости и нанести серьезные травмы.

СНЯТИЕ ГОЛОВКИ ТРИММЕРА

- Извлеките аккумулятор из триммера.
- Нажмите на фиксаторы на головке триммера и потяните нижнюю крышку, чтобы снять (см. Рис. S1 и S2).
- Извлеките режущую леску из головки триммера (Рис. V).
- При необходимости извлеките из катушки пружину. Сохраните ее для дальнейшей сборки.
- Наденьте перчатки. Одной рукой крепко удерживайте катушку, а другой рукой открутите гайку против часовой стрелки при помощи ударного гайковерта (Рис. W).
- Снимите с вала двигателя гайку, шайбу, катушку и верхнюю крышку (Рис. X).
- Снимите стопорное кольцо с помощью плоскогубцев. Снимите вентилятор (Рис. Y).
- Установите новую головку триммера с помощью следующих инструкций.

Описание частей на Рис. W, X и Y

W-1	Ударный гайковерт	X-4	Гайка
X-1	Верхняя крышка	Y-1	Вентилятор
X-2	Катушка	Y-2	Стопорное кольцо
X-3	Шайба		

УСТАНОВКА НОВОЙ ГОЛОВКИ ТРИММЕРА

- Совместите направляющий паз в корпусе вентилятора с шлицем на валу двигателя и установите вентилятор на место (Рис. Z).
- Установите стопорное кольцо, верхнюю крышку, катушку и шайбу в указанном порядке. Затяните гайку с помощью ударного гайковерта.
- Установите нижнюю крышку в соответствии с инструкциями в разделе УСТАНОВКА ЛЕСКИ данного руководства.
- Инструкции по установке режущей лески см. в разделе ЗАМЕНА ЛЕСКИ данного руководства.
- Включите триммер и убедитесь, что он работает нормально. В противном случае выполните сборку повторно в соответствии с приведенными выше инструкциями.

Описание частей на Рис. Z

Z-1	Шлиц	Z-2	Направляющий паз
-----	------	-----	------------------

ОБСЛУЖИВАНИЕ

⚠ ПРЕДУПРЕЖДЕНИЕ. При ремонте используйте только идентичные запасные части. Регулярно проверяйте и выполняйте техническое обслуживание устройства. Чтобы обеспечить безопасность и надежность устройства, его ремонт должен выполнять квалифицированный специалист.

⚠ ПРЕДУПРЕЖДЕНИЕ. Работающие от аккумуляторов инструменты не требуются подключать к розетке электросети, поэтому они всегда готовы к использованию. Чтобы предотвратить получение серьезных травм, будьте особо осторожны и внимательны при выполнении технического обслуживания, ремонта или замене режущих или других приспособлений.

⚠ ПРЕДУПРЕЖДЕНИЕ. Чтобы предотвратить получение серьезных травм, извлекайте аккумулятор перед выполнением сервисного обслуживания, очистки, замены принадлежностей или удаления материала из устройства.

ОЧИСТКА УСТРОЙСТВА

- Очистите устройство с помощью влажной ткани и мягкого моющего средства.
- Не используйте активные моющие средства для очистки пластикового корпуса или рукоятки. Они могут быть повреждены определенными ароматическими маслами, такими как хвойное и лимонное масла, а также растворителями, например керосином. Кроме того, наличие влаги может привести к поражению электрическим током. Протрите влажное место мягкой сухой тканью.
- С помощью маленькой щетки или нагнетания воздуха с помощью небольшого пылесоса очистите вентиляционные отверстия на задней стороне корпуса от загрязнений.

ЗАТОЧКА ЛЕЗВИЯ ДЛЯ ОБРЕЗКИ ЛЕСКИ

⚠ ПРЕДУПРЕЖДЕНИЕ. При выполнении любых работ по обслуживанию лезвия для обрезки лески всегда надевайте прочные перчатки.

1. Снимите с щитка лезвие для обрезки лески.
2. Используйте очки и перчатки. Соблюдайте осторожность, чтобы не порезаться.
3. Зафиксируйте лезвие в тисках.
4. Аккуратно заточите лезвие при помощи мелкозубчатого напильника или точильного камня, сохраняя оригинальный угол режущей кромки.
5. Установите лезвие на щиток и закрепите на месте двумя винтами.

ХРАНЕНИЕ УСТРОЙСТВА

Извлеките аккумулятор из устройства, если оно не используется.

Тщательно очистите устройство перед хранением.

Храните устройство в сухом, хорошо проветриваемом, закрытом или высоком месте, недоступном для детей. Не храните устройство рядом с удобрениями, бензином или другими химическими веществами.

ЗАЩИТА ОКРУЖАЮЩЕЙ СРЕДЫ



Не выбрасывайте электрооборудование, зарядные устройства, батарейки и аккумуляторы вместе с бытовыми отходами!

В соответствии с европейским законом 2012/19/EU электрическое и электронное оборудование, которое не подлежит дальнейшей эксплуатации, а также непригодные и использованные батарейки и аккумуляторы (согласно европейскому закону 2006/66/EC) должны быть утилизированы отдельно.

При утилизации электрических устройств на свалках в подземные воды могут просочиться опасные вещества, которые затем попадут в пищевую цепь и приведут к общему ухудшению здоровья и благополучия.

УСТРАНЕНИЕ НЕИСПРАВНОСТЕЙ

ПРОБЛЕМА	ПРИЧИНА	РЕШЕНИЕ
Триммер с леской не запускается.	<ul style="list-style-type: none"> ■ Аккумулятор не установлен в триммер. ■ Нет электрического контакта между триммером и аккумулятором. ■ Аккумулятор разряжен. ■ Кнопка блокировки и курковый переключатель не зажаты одновременно. 	<ul style="list-style-type: none"> ■ Установите аккумулятор в триммер. ■ Извлеките аккумулятор, проверьте контакты и установите его снова. ■ Зарядите аккумулятор. ■ Нажмите кнопку блокировки и удерживайте ее, затем зажмите курковый переключатель, чтобы включить триммер.
<div style="background-color: black; color: white; padding: 2px; font-weight: bold; font-size: 1.2em;">RU</div> <p>Устройство остановилось во время работы.</p>	<ul style="list-style-type: none"> ■ Щиток не установлен на триммер, в результате чего леска стала очень длинной, и двигатель перегрелся. ■ Используется слишком тяжелая режущая леска. ■ Вал двигателя и головка триммера забились травой. ■ Двигатель перегружен. ■ Аккумулятор или триммер перегрелись. ■ Аккумулятор не подключен к устройству. ■ Аккумулятор разряжен. 	<ul style="list-style-type: none"> ■ Извлеките аккумулятор и установите щиток на триммер. ■ Используйте рекомендуемую нейлоновую режущую леску диаметром не более 2,4 мм. ■ Выключите триммер, извлеките аккумулятор и удалите траву из вала двигателя и головки триммера. ■ Поднимите головку триммера над травой. Двигатель начнет работать снова, как только нагрузка уменьшится. Во время скашивания перемещайте головку триммера в траву и из нее, срезая не более 20см длины за раз. ■ Дайте аккумулятору или триммеру остыть, пока температура не упадет ниже 67 °С. ■ Установите аккумулятор. ■ Зарядите аккумулятор.

ПРОБЛЕМА	ПРИЧИНА	РЕШЕНИЕ
Из головки триммера не вытягивается леска.	<ul style="list-style-type: none"> ■ Вал двигателя и головка триммера забились травой. ■ Недостаточно лески в фиксаторе катушки. ■ Головка триммера загрязнена. ■ Леска запуталась в фиксаторе катушки. ■ Леска слишком короткая. 	<ul style="list-style-type: none"> ■ Выключите триммер, извлеките аккумулятор и удалите траву из вала двигателя и головки триммера. ■ Извлеките аккумулятор и замените режущую леску в соответствии с инструкциями в разделе «ЗАМЕНА ЛЕСКИ» данного руководства. ■ Извлеките аккумулятор и очистите фиксатор катушки и ее основание. ■ Извлеките аккумулятор, снимите леску с катушки и намотайте ее заново в соответствии с инструкциями в разделе «ЗАМЕНА ЛЕСКИ» данного руководства. ■ Извлеките аккумулятор и вытяните леску, нажимая на фиксатор катушки и освобождая головку триммера.
Трава наматалась на головку триммера и корпус двигателя.	<ul style="list-style-type: none"> ■ Стрижка высокой травы на уровне земли. 	<ul style="list-style-type: none"> ■ Скашивайте высокую траву сверху вниз и срезайте не более 20 см за один раз, чтобы предотвратить подобные ситуации
Лезвие не режет леску.	<ul style="list-style-type: none"> ■ Лезвие для обрезки лески на краю щитка затупилось. 	<ul style="list-style-type: none"> ■ Заточите лезвие для обрезки лески напильником или замените
Трещины на головке триммера или фиксаторе катушки привели к ослаблению основания катушки.	<ul style="list-style-type: none"> ■ Головка триммера изношена. 	<ul style="list-style-type: none"> ■ Немедленно выполните замену головки триммера при помощи квалифицированного специалиста.
Во время замены не удастся установить леску в головку триммера надлежащим образом.	<ul style="list-style-type: none"> ■ Метки LOAD фиксатора катушки не выровнены с ушками на основании катушки. ■ Леска неправильно продета через крепежное отверстие ушка. 	<ul style="list-style-type: none"> ■ Поверните фиксатор катушки в направлении, указанном стрелкой, чтобы совместить метки LOAD на фиксаторе катушки с ушками в основании катушки. ■ Сначала совместите метки LOAD с ушками, а затем проденьте леску через крепежное отверстие ушка.

ГАРАНТИЯ

ГАРАНТИЙНАЯ ПОЛИТИКА EGO

Посетите веб-сайт egopowerplus.com, чтобы ознакомиться со всеми условиями и сроками гарантийной политики EGO.

PRZECZYTAJ WSZYSTKIE INSTRUKCJE!



PRZECZYTAJ INSTRUKCJĘ OPERATORA

⚠ Ryzyko szczątkowe! Osoby z urządzeniami elektronicznymi, takimi jak rozruszniki serca, powinny przed użyciem produktu skonsultować się ze swoim(i) lekarzem/-ami. Używanie urządzeń elektrycznych blisko rozrusznika serca może spowodować zakłócenia lub uszkodzić rozrusznik.

⚠ OSTRZEŻENIE: Aby zagwarantować bezpieczeństwo i niezawodność, wszystkie naprawy i wymiany części powinny być wykonywane przez wykwalifikowanych techników serwisu.

SYMBOLE BEZPIECZEŃSTWA

Celem symboli bezpieczeństwa jest zwrócenie uwagi użytkownika na możliwe zagrożenia. Symbole bezpieczeństwa i objaśnienia do nich zasługują na to, by je uważnie przestudiować i zrozumieć. Symbole bezpieczeństwa nie eliminują same z siebie jakichkolwiek zagrożeń. Podawane w nich instrukcje i ostrzeżenia nie zastępują odpowiednich środków zapobiegania wypadkom.

⚠ OSTRZEŻENIE: Przed użyciem narzędzia prosimy przeczytać i zrozumieć wszystkie instrukcje dotyczące bezpieczeństwa podane w podręczniku użytkownika, łącznie z wszystkimi symbolami ostrzegawczymi takimi jak „NIEBEZPIECZEŃSTWO”, „OSTRZEŻENIE” i „UWAGA”. Niestosowanie się do wszystkich podanych niżej instrukcji może doprowadzić do porażenia prądem, pożaru i/lub poważnych obrażeń.

ZNACZENIE SYMBOLI

⚠ SYMBOL OSTRZEGAWCZY: Oznacza NIEBEZPIECZEŃSTWO, OSTRZEŻENIE lub PRZESTROGĘ. Może być używany razem z innymi symbolami lub piktogramami.

INSTRUKCJE DOTYCZĄCE BEZPIECZEŃSTWA

Na tej stronie pokazano i opisano symbole bezpieczeństwa, które mogą występować na produkcie. Przed podjęciem próby złożenia i użycia urządzenia należy przeczytać i zrozumieć wszystkie instrukcje dotyczące urządzenia oraz zastosować się do nich.

	Ostrzeżenie dotyczące bezpieczeństwa	Wskazuje na potencjalne ryzyko urazów ciała.
	Przeczytaj instrukcję operatora	Aby zmniejszyć ryzyko urazów, użytkownik musi przeczytać i zrozumieć instrukcję przed rozpoczęciem korzystania z produktu.
	Noś okulary ochronne	Podczas używania produktu należy zawsze nosić gogle ochronne lub okulary ochronne z osłonami bocznymi, a także pełną osłonę na twarz.
	Noś ochronniki słuchu	W celu ochrony słuchu należy zawsze nosić ochronniki słuchu (zatyczki do uszu lub nauszniaki).
	Szerokość koszenia	Maks. szerokość koszenia podkaszarką
	Średnica żyłki	Średnica żyłki nylonowej
	Noś kask ochronny	Aby chronić głowę, należy nosić atestowany kask ochronny.
	Noś rękawice ochronne	Na czas prac przy ostrzu i osłonie ostrza należy zabezpieczyć ręce rękawicami. Wytrzymałe rękawice antypoślizgowe poprawiają uchwyt i chronią dłonie.
	Noś obuwie ochronne	Podczas używania urządzenia należy nosić obuwie ochronne z podeszwami antypoślizgowymi.
	Uwaga na możliwość odbicia ostrza	Prosimy ostrzec operatora o ryzyku związanym z odbiciem ostrza.

	Uwaga rykoszet oraz Osoby postronne trzymaj z daleka	Przedmioty wyrzucone w powietrze mogą odbić się rykoszetem i doprowadzić do urazów lub strat materialnych. Należy zawsze pilnować, aby inni ludzie oraz zwierzęta domowe pozostawili w z dala od pracującej kosi do zarośli.
	Osoby postronne trzymaj z daleka	Należy zawsze pilnować, aby inni ludzie i zwierzęta domowe pozostawili w odległości co najmniej 15 m od pracującej podkaszarki.
	Ne zakładaj okrągłej tarczy tnącej	Nie należy montować okrągłych tarcz tnących.
	Chronić przed deszczem	Nie używać w deszczu i nie zostawiać na dworze podczas deszczu.
	CE	Ten produkt jest zgodny z obowiązującymi dyrektywami WE.
	WEEE	Zużytych urządzeń elektrycznych nie należy wyrzucać razem ze zwykłymi odpadami domowymi. Należy je oddać do autoryzowanego punktu recyklingu.
	Hałas	Gwarantowany poziom mocy akustycznej. Emisja hałasu do środowiska zgodnie z dyrektywą Wspólnoty Europejskiej.
V	Volt	Napięcie
	Prąd stały	Rodzaj lub charakterystyka prądu
n_0	Prędkość bez obciążenia	Prędkość obrotowa bez obciążenia
min ⁻¹	Na minutę	Obroty na minutę

OGÓLNE OSTRZEŻENIA DOTYCZĄCE BEZPIECZEŃSTWA UŻYWANIA ELEKTRONARZĘDZI

⚠ OSTRZEŻENIE: Prosimy przeczytać wszystkie ostrzeżenia i instrukcje oraz przestudiować specyfikację i ilustracje dostarczone wraz z elektronarzędziem. Niestosowanie się do wszystkich podanych niżej instrukcji może doprowadzić do porażenia prądem, pożaru i/lub poważnych obrażeń.

Prosimy zachować na przyszłość wszystkie ostrzeżenia i instrukcje.

Termin „elektronarzędzie” występujący w ostrzeżeniach dotyczy narzędzia elektrycznego o zasilaniu sieciowym (przewodowego) lub akumulatorowym (beprzewodowego).

BEZPIECZEŃSTWO W MIEJSCU PRACY

- Należy dbać o czystość i dobre oświetlenie w miejscu pracy. Balagan i złe oświetlenie sprzyjają wypadkom.
- Nie należy używać elektronarzędzi w miejscach zagrożonych wybuchem, np. w obecności łatwopalnych cieczy, gazów lub pyłu. Elektronarzędzia wytwarzają iskry, które mogą zapalić opary lub pył.
- W czasie pracy elektronarzędzie należy trzymać z dala od dzieci i osób postronnych. Chwila nieuwagi może spowodować utratę kontroli nad urządzeniem.

BEZPIECZEŃSTWO OSOBISTE

- Podczas pracy narzędziem należy zachowywać czujność, patrzeć, co się robi i kierować się zdrowym rozsądkiem. Nie należy używać elektronarzędzi, gdy użytkownik jest zmęczony, albo jest pod wpływem narkotyków, alkoholu lub leków. Chwila nieuwagi w czasie posługiwania się elektronarzędziami może spowodować poważne obrażenia.
- Należy używać środków ochrony osobistej i zawsze nosić okulary ochronne. Stosowanie w odpowiednich warunkach sprzętu ochronnego takiego jak np. maska przeciwpyłowa, obuwie ochronne z podeszwami antypoślizgowymi, kask lub ochronniki słuchu zmniejszy ewentualne obrażenia.
- Nie należy dopuszczać do przypadkowego włączenia. Należy pilnować, aby przed podłączeniem narzędzia do zasilania i/lub baterii akumulatorowej oraz przed podniesieniem i przenoszeniem przełącznik był ustawiony w pozycji „wyłączone”. Trzymanie palca na przełączniku w czasie przenoszenia narzędzi elektrycznych lub podłączanie ich do zasilania, gdy przełącznik jest ustawiony w pozycji „włączone” może doprowadzić do wypadku.
- Przed włączeniem elektronarzędzia należy usunąć wszystkie klucze regulacyjne i inne narzędzia. Klucz zaczepiony o obracającą się część elektronarzędzia może spowodować obrażenia.

- **Nie należy sięgać za daleko.** Należy zawsze dbać o utrzymanie równowagi i pewne podparcie nóg. W nieprzewidywanych sytuacjach zapewnią to lepszą kontrolę nad elektronarzędziem.
- **Należy nosić odpowiednią odzież.** Nie powinno się nosić luźnych ubrań ani biżuterii. Włosy, odzież i rękawice należy trzymać w bezpiecznej odległości od poruszających się części. Luźne ubrania, biżuteria lub długie włosy mogą zaczepić się o poruszające się części.
- **Jeżeli urządzenie jest przystosowane do podłączania do odsysacza pyłu i urządzenia zbierającego, należy dopilnować, aby systemy te były podłączone i właściwie stosowane.** Używanie urządzeń służących do pochłaniania pyłu może zmniejszyć zagrożenia związane z pyłem.
- **Nie wolno dopuścić do tego, aby poczucie znajomości narzędzia wynikające z jego częstego używania doprowadziło do lekceważenia i ignorowania zasad bezpieczeństwa.** Jedno lekkomyślne działanie może w ułamku sekundy doprowadzić do ciężkich urazów.

UŻYWANIE I KONSERWOWANIE ELEKTRONARZĘDZI

- **Elektronarzędzia nie należy forsować.** Należy używać narzędzia dostosowanego do wykonywanej pracy. Odpowiednie narzędzie elektryczne wykona pracę lepiej i bezpieczniej, gdy pozwoli mu się pracować z prędkością/obrotami do jakich zostało zaprojektowane.
- **Nie należy używać elektronarzędzia, jeżeli przełącznik zasilania nie włącza go lub nie wyłącza.** Elektronarzędzie, którego nie da się kontrolować przełącznikiem, jest potencjalnie niebezpieczne i wymaga naprawy.
- **Nieużywane elektronarzędzia należy przechowywać w miejscu niedostępnym dla dzieci.** Osobom, które nie znają narzędzia lub nie zapoznały się z instrukcją nie należy pozwalać go używać. W rękach nieprzeszkolonych użytkowników elektronarzędzia mogą stanowić zagrożenie.
- **Elektronarzędzia i akcesoria należy utrzymywać w dobrym stanie.** Należy kontrolować, czy części ruchome nie są odchyłone od osi, nie zacinają się i nie są pęknięte lub uszkodzone w inny sposób, który mógłby wpłynąć na działanie narzędzia. W razie uszkodzenia, przed użyciem należy oddać narzędzie do naprawy. Wiele wypadków wynika ze złej konserwacji narzędzi.
- **Należy dbać o czystość i naostrzenie narzędzi tnących.** Odpowiednio utrzymane narzędzia tnące z ostrymi krawędziami tnącymi są mniej narażone na zakleszczanie się i łatwiej jest je kontrolować.
- **Elektronarzędzi, akcesoriów, wiertel, bitów, itp. należy używać zgodnie z niniejszą instrukcją, z uwzględnieniem warunków i rodzaju wykonywanej pracy.** Korzystanie z elektronarzędzi niezgodnie z przeznaczeniem może prowadzić do niebezpiecznych sytuacji.
- **Należy dbać o to, aby powierzchnia uchwytów była sucha, czysta i niezaplamiiona olejem lub smarem.** Śliskie uchwyty nie pozwalają w bezpieczny sposób kontrolować narzędzia w nieprzewidywanych sytuacjach.
- **Kable należy trzymać z dala od strefy pracy narzędzia.** W czasie użytkowania kable mogą się schować w krzakach i mogą zostać przypadkowo uszkodzone przez narzędzie.

UŻYWANIE I KONSERWOWANIE NARZĘDZI AKUMULATOROWYCH

- **Do ładowania należy używać wyłącznie ładowarki wskazanej przez producenta.** Użycie ładowarki pochodzącej od jednego akumulatora do ładowania innego akumulatora grozi pożarem.
- **Elektronarzędzi należy używać wyłącznie z dedykowanymi do nich akumulatorami.** Użycie jakichkolwiek innych akumulatorów grozi obrażeniami i pożarem.
- **Jeżeli akumulator nie jest używany, należy go przechowywać z dala od innych przedmiotów metalowych, np. spinaczy, monet, kluczy, gwoździ, śrub i innych drobnych przedmiotów metalowych, które mogłyby spowodować zwarcie wyprowadzeń akumulatora.** Zwarcie wyprowadzeń akumulatora może doprowadzić do oparzenia lub pożaru.
- **W niesprzyjających warunkach może dojść do wycieku cieczy z akumulatora.** Należy wtedy unikać wszelkiego kontaktu z tą cieczą. W razie przypadkowego kontaktu ze skórą, zabrudzone miejsce należy obficie przemyć wodą. Jeżeli płyn dostanie się do oczu, należy dodatkowo zasięgnąć porady lekarza. Płyn wyciekający z akumulatora może powodować podrażnienie lub oparzenia.
- **Nie należy używać akumulatora lub narzędzia, które są uszkodzone lub zostały poddane przeróbkom.** Uszkodzone lub zmodyfikowane akumulatory mogą zachowywać się w sposób nieprzewidywalny, co może doprowadzić do pożaru lub wybuchu lub stwarzać ryzyko urazów.
- **Nie należy narażać akumulatora lub narzędzia na kontakt z ogniem lub zbyt wysokimi temperaturami.** Ogień lub temperatury przekraczające 100°C mogą doprowadzić do wybuchu.
- **Należy przestrzegać wszystkich instrukcji ładowania.** Nie należy ładować akumulatora lub narzędzia poza przedziałem temperatur podanym w instrukcji. Ładowanie w sposób nieprawidłowy lub w temperaturze wykraczającej poza określony zakres może doprowadzić do uszkodzenia akumulatora i zwiększa ryzyko pożaru.

SERWISOWANIE

- **Serwisowanie elektronarzędzia należy powierzać wykwalifikowanemu serwisantowi, a do naprawy używać wyłącznie części zamiennych identycznych z oryginalnymi.** Zapewni to bezpieczeństwo eksploatacji elektronarzędzia.
- **Uszkodzonych akumulatorów nie należy nigdy naprawiać.** Jakkolwiek czynności serwisowe przy akumulatorach powinny być wykonywane wyłącznie przez producenta lub pracowników autoryzowanego serwisu.

⚠ OSTRZEŻENIE: Prosimy przeczytać wszystkie ostrzeżenia i instrukcje oraz przestudiować specyfikację i ilustracje dostarczone wraz z elektronarzędziem. Niestosowanie się do wszystkich podanych niżej instrukcji może doprowadzić do porażenia prądem, pożaru i/lub poważnych obrażeń. Prosimy zachować na przyszłość wszystkie ostrzeżenia i instrukcje.

Prosimy zachować na przyszłość wszystkie ostrzeżenia i instrukcje.

SZKOLENIE

- Prosimy uważnie przeczytać instrukcję. Należy zapoznać się z elementami sterującymi i metodami poprawnej obsługi urządzenia.
- Nigdy nie należy pozwalać używać urządzenia osobom nieobeznanym z niniejszą instrukcją lub dzieciom. Przepisy lokalne mogą nakładać ograniczenia dotyczące wieku operatora.
- Należy pamiętać, że operator lub użytkownik ponosi odpowiedzialność za wypadki lub zagrożenia dotyczące osób trzecich lub ich własności.

PRZYGOTOWANIE

- Nigdy nie należy używać urządzenia, gdy w pobliżu znajdują się ludzie (zwłaszcza dzieci) lub zwierzęta domowe.
- W czasie używania urządzenia należy nosić okulary i solidne buty.
- Odległość między maszyną a osobami postronnymi musi wynosić co najmniej 15 metrów.
- Nigdy nie należy używać narzędzia, gdy operator jest zmęczony, chory albo pod wpływem alkoholu lub narkotyków.

UŻYTKOWANIE

- Urządzenia należy używać tylko przy świetle dziennym lub przy dobrym oświetleniu sztucznym.
- Urządzenia nie należy nigdy używać z uszkodzonymi osłonami lub bez założonych osłon.
- Silnik wolno włączyć dopiero wtedy, gdy ręce i stopy znajdują się z dala od urządzenia tnącego.

- W następujących sytuacjach urządzenie należy zawsze odłączyć od zasilania (tj. wyjąć z niego akumulator):
 - za każdym razem, gdy urządzenie zostaje pozostawione bez nadzoru;
 - przed odblokowaniem zablokowanego mechanizmu;
 - Przed kontrolą, czyszczeniem lub wykonywaniem prac przy urządzeniu.
 - po uderzeniu w dowolny przedmiot;
 - za każdym razem, gdy urządzenie wpada w nietypowe wibracje.
- Należy uważać na ryzyko skaleczenia stóp i rąk elementem tnącym.
- Otwory wentylacyjne muszą być zawsze drożne.

KONSERWACJA I PRZECHOWYWANIE

- Przed czyszczeniem i czynnościami konserwacyjnymi, urządzenie należy odłączyć od zasilania (tj. wyjąć z niego akumulator).
- Należy używać wyłącznie części zamiennych i akcesoriów zalecanych przez producenta.
- Urządzenie należy regularnie kontrolować i konserwować. Naprawy urządzenia powinny być wykonywane wyłącznie przez serwisanta z odpowiednimi uprawnieniami.
- Gdy urządzenie nie jest używane, należy je przechowywać w miejscu niedostępnym dla dzieci.


POZOSTAŁE OSTRZEŻENIA

- **Należy unikać pracy w niebezpiecznych warunkach** – Nie używać urządzeń na podmokłych lub wilgotnych pochyłościach.
- Osłony zabezpieczające muszą być zawsze założone i sprawne.
- Ręce i stopy należy trzymać z dala od strefy koszenia.
- Aby ograniczyć ryzyko urazów, nigdy nie należy pracować na drabinie lub innych niebezpiecznych podporach. Końcówki tnącej nie wolno nigdy trzymać powyżej poziomu pasa.
- W czasie użytkowania końcówkę tnącą należy sprawdzać w regularnych odstępach czasu. W przypadku zauważalnej zmiany w sposobie koszenia kontrolę należy przeprowadzić natychmiast.
- Aby uzyskać najlepsze wyniki, akumulator należy ładować w miejscu, w którym temperatura mieści się w przedziale od 5°C do 40°C. Nie przechowywać na dworze lub w pojazdach.
- Jeśli do użytkownika zbliży się jakaś osoba, należy wyłączyć silnik i zatrzymać końcówkę tnącą.
- Prosimy ostrzec operatora o ryzyku związanym z odbiciem ostrza (dotyczy tylko przypadku używania narzędzia z ostrzem z 3 zębami).

- Gdy kręcące się ostrze dotknie przedmiotu, który nie poddaje się natychmiastowemu przecięciu, może pojawić się siła odbicia ostrza.
- Siła odbicia ostrza może być na tyle gwałtowna, że może spowodować odepchnięcie maszyny i/lub operatora w dowolną stronę, z możliwością utraty kontroli nad narzędziem.
- Jeśli ostrze zaczepi się o coś, zablokuje się lub zaklinuje, do odbicia może dojść bez jakiegokolwiek ostrzeżenia.
- Odbicie ostrza zdarza się częściej w miejscach, w których trudno jest zobaczyć koszony materiał.
- **Nie należy zakładać żadnego ostrza do urządzenia bez prawidłowego zainstalowania wszystkich wymaganych części. Bez użycia odpowiednich części mogłyby dojść do wyrzucenia ostrza w powietrze i do poważnych urazów operatora lub osób postronnych. Ostrza, które ulegną skrzywieniu, skręceniu, pęknięciu, nadłamaniu lub innemu uszkodzeniu należy zawsze wyrzucić. Używane ostrze musi być ostre. Tępe ostrze łatwiej klinuje się i ulega odbiciu (dotyczy tylko przypadku używania narzędzia z ostrzem z 3 zębami).**
- **Ostrze/żyłka tnąca obracające/a się na luzie po wyłączeniu silnika lub puszczeniu spustu może spowodować urazy. Do momentu całkowitego zatrzymania się ostrza tnącego/żyłki należy pilnować narzędzia.**
- W urządzeniu należy używać wyłącznie akumulatorów i ładowarek podanych na rys. A.
- **Narzędzia akumulatorowe nie wymagają podłączenia do kontaktu elektrycznego i dlatego są zawsze gotowe do pracy. Należy więc mieć świadomość możliwych zagrożeń, występujących nawet wtedy, gdy narzędzie nie jest używane. Podczas wykonywania czynności konserwacyjnych lub serwisowych należy zachować ostrożność.**
- **Nie należy czyścić urządzenia wężem; należy unikać zachlapywania wodą silnika i połączeń elektrycznych.**
- **W sytuacjach, które nie zostały przewidziane w niniejszej instrukcji należy zachować ostrożność i kierować się własnym zdrowym rozsądkiem. W celu uzyskania pomocy prosimy skontaktować się z centrum obsługi klienta EGO.**

INSTRUKCJI NIE NALEŻY WYRZUCAĆ!

SPECYFIKACJA

Napięcie	56 V 
Prędkość bez obciążenia	4000-5800 o br./min

Mechanizm tnący	Głowica-uderzak	
Typ żyłki do koszenia	Żyłka nylonowa 2,4mm	
Szerokość koszenia	38 cm	
Zalecana temperatura pracy	0°C-40°C	
Zalecana temperatura składowania	-20°C-70°C	
Ciężar (bez akumulatora)	3,2 kg	
Zmierzony poziom mocy akustycznej L_{WA}	92,6 dB(A) K=0,8 dB(A)	
Poziom ciśnienia akustycznego w uchu operatora L_{PA}	72,6 dB(A) K=2,5 dB(A)	
Gwarantowany poziom mocy akustycznej L_{WA} (według 2000/14/EC)	93 dB(A)	
Drgania a_n	Przedni uchwyt pomocniczy	3,5 m/s ² K=1,5 m/s ²
	Uchwyt tylny	2,1 m/s ² K=1,5 m/s ²

- Deklarowana całkowita wartość drgań została zmierzona zgodnie ze standardowymi metodami testowania i może służyć do porównywania różnych narzędzi.
- Deklarowana całkowita wartość drgań może również służyć do wstępnej oceny narażenia na drgania.

UWAGA: W zależności od sposobu eksploatacji, emisja wibracji podczas faktycznego użytkowania elektronarzędzia może się różnić od wartości deklarowanej. Aby chronić operatora, w rzeczywistych warunkach użytkowania użytkownik powinien nosić rękawice i nauszники ochronne.

LISTA ELEMENTÓW W OPAKOWANIU

NAZWY CZĘŚCI	ILOŚĆ
Trymer do żyłki	1
Oslona	1
Przedni uchwyt pomocniczy – zestaw	1
Pasek naramienny	1
Klucz imbusowy	1
Instrukcja operatora	1
Żyłka tnąca	1

OPIS

ZAPOZNANIE SIĘ Z PODKASZARKĄ (Rys. A)

1. Uchwyt tylny
2. Przełącznik spustowy
3. Przycisk odblokowujący
4. Regulowany przedni uchwyt pomocniczy
5. Pasek naramienny
6. Trzonek
7. Osłona
8. Przycisk odblokowujący akumulator
9. Zatrask
10. Styki elektryczne
11. Mechanizm odłączania
12. Głowica podkaszarki (głowica-uderzak)
13. Przycisk ładowania żyłki
14. Żyłka tnąca
15. Zaczep odblokowujący
16. Ostrze cięcia żyłki
17. Klucz sześciokątny

MONTAŻ

⚠ OSTRZEŻENIE: W przypadku braku lub uszkodzenia którejs z części nie należy uruchamiać urządzenia aż do momentu wymiany lub naprawy części. Używanie urządzenia z uszkodzonymi lub brakującymi częściami może doprowadzić do poważnych urazów ciała.

⚠ OSTRZEŻENIE: Nie należy próbować przerabiać urządzenia lub tworzyć akcesoriów, które nie są zalecane do używania w podkaszarce. Wszelkie tego typu zmiany lub modyfikacje są niedozwolone i mogą prowadzić do niebezpiecznych sytuacji oraz poważnych urazów ciała.

⚠ OSTRZEŻENIE: Aby zapobiec przypadkowemu włączeniu, które mogłoby spowodować urazy ciała, na czas mocowania części z narzędzia należy zawsze wyjmować akumulator.

MONTAŻ OSŁONY

⚠ OSTRZEŻENIE: Podczas zakładania lub wymieniaania osłony należy zawsze mieć założone rękawice. Należy uważać na ostrze na osłonie – ryzyko skaleczenia dłoni.

⚠ OSTRZEŻENIE: Nigdy nie należy włączać narzędzia bez mocno założonej osłony. Osłona musi być zawsze założona na narzędzie, aby chronić użytkownika! Jeśli osłona jest założona, nie należy nigdy próbować jej zdejmować lub regulować. Jeśli potrzebna jest wymiana, powinien ją przeprowadzić wykwalifikowany technik!

- Wyreguluj dwa sworznie, które są wstępnie zamontowane na osłonie, z dwoma otworami pod śruby na trzonku (Rys. B), a następnie dokręć je dostarczonym kluczem sześciokątnym (Rys. C).
- Upewnij się, że osłona jest zamocowana zgodnie z Rys. B i C, jakiegokolwiek rodzaju montaż odwrótną stroną stanowi poważne zagrożenie!

MOCOWANIE I REGULACJA PRZEDNIEGO UCHWYTU POMOCNICZEGO

Wcisnąć przedni uchwyt pomocniczy na trzonek (Rys. E), następnie włożyć blok zaciskowy do szczeliny uchwytu (Rys. F), zamocować trzonek blokujący, zablokować nakrętką motylkową (Rys. G). Kolejność jest taka jak pokazano na Rys. D. Na koniec wyregulować przedni uchwyt pomocniczy między pierścieniem progowym i miękką tuleją, aby przednie ramię użytkownika było proste podczas pracy (Rys. H), zablokować dźwignię drążka blokującego (Rys. I).

Rys. D i H – Opis części patrz poniżej:

D-1	Przedni uchwyt pomocniczy	D-4	Nakrętka motylkowa
D-2	Drążek blokujący	H-1	Miękka tuleja
D-3	Blok zaciskowy	H-2	Etykieta ostrzegająca

UWAGA: Przedni uchwyt pomocniczy należy zawsze skierować do góry w stronę górnej części tylnego uchwytu.

⚠ OSTRZEŻENIE: Mocuj tylko przedni otwór pomocniczy między miękką tuleją o etykietą na trzonku.

⚠ OSTRZEŻENIE: Narzędzia nie można używać bez przedniego uchwytu pomocniczego prawidłowo zamocowanego.

MONTAŻ PASKA NA RAMIĘ

1. Poluzować i wyjąć śrubę w zaczepie paska (Rys. J1 i J2).
2. Zamocować zaczep na trzonku, tak jak na Rys. J3 i zablokować go śrubą (Rys. J4).

⚠ OSTRZEŻENIE: Zaczep paska należy mocować tylko między obudową a miękką osłoną na trzonku.

UŻYTKOWANIE

⚠ OSTRZEŻENIE: Nie wolno dopuścić do tego, aby znajomość narzędzia doprowadziła do nieuwagi. Należy pamiętać, że do spowodowania poważnych obrażeń wystarczy zaledwie chwila nieuwagi.

⚠ OSTRZEŻENIE: Zawsze noś gogle lub okulary ochronne z osłoną boczną, wraz z osłoną narządu słuchu. Nieprzestrzeżenie tego zalecenia może doprowadzić do poważnych obrażeń oczu odłamkiem lub skrawkiem materiału wyrzucenym przez pracujące narzędzie, a także grozi innymi możliwymi urazami.

⚠ OSTRZEŻENIE: Nie należy używać końcówek lub akcesoriów innych niż zalecane przez producenta produktu. Używanie przystawek lub akcesoriów innych niż zalecane może doprowadzić do poważnych obrażeń.

⚠ OSTRZEŻENIE: Aby uniknąć poważnych obrażeń ciała, przed serwisowaniem, czyszczeniem, wymianą osprzętu dodatkowego oraz usuwaniem materiału należy zawsze wyjmować z narzędzia akumulator.

Urządzenia można używać wyłącznie do celów podanych poniżej:

Wycinanie: usuwanie trawy i chwastów przy ścianach, płotach, drzewach i na brzegach.

Koszenie: koszenie trawy w miejscach trudno dostępnych dla zwykłej kosiarki.

UWAGA: Narzędzia należy używać tylko do celów zgodnych z przeznaczeniem. Wszelkie inne zastosowania, np. przycinanie krawędzi, uznaje się za niezgodne z przeznaczeniem.

ZAKŁADANIE/WYJMOWANIE AKUMULATORA

UWAGA: Dla lepszej równowagi używając akumulatorów BA3360/BA4200/BA4200Ti/BA5600T stosuj uprząż plecakową (BH1000).

Naladować przed pierwszym użyciem.

Zakładanie

Należy wyrównać żeberka akumulatora względem szczelin mocujących i wsunąć akumulator do ładowarki aż da się słyszeć kliknięcie (Rys. K2).

Wymowianie

Wcisnąć przycisk wyjmowania akumulatora i wysunąć akumulator tak jak na Rys. L.

Rys. K1 i K2 – Opis części patrz poniżej:

K-1	pakiet akumulatora BA3360/BA4200/BA4200Ti/BA5600T	K-4	Zatrzaszk
K-2	Adapter	K-5	Szczelina do montażu akumulatora
K-3	Uprząż plecakowa		

TRZYMANIE PODKASZARKI

⚠ OSTRZEŻENIE: Aby ograniczyć ryzyko obrażeń, podczas pracy narzędziem należy nosić odpowiednią odzież. Nie należy nosić luźnych ubrań ani biżuterii. Należy nosić środki ochrony oczu i ochronniki słuchu. Należy nosić ciężkie długie spodnie, solidne buty i rękawice. Nie należy nosić krótkich spodni i sandałów, nie należy też używać narzędzia na bosą.

Przed włączeniem podkaszarkę należy trzymać oburącz, jedną ręką za uchwyt tylny, a drugą ręką (wyprostowaną) za pomocniczy uchwyt przedni (Rys. M). Następnie należy sprawdzić stabilność podłoża. Użytkownik powinien stać w odpowiedniej odległości od przycinanego żywopłotu.

UWAGA: Podkaszarka jest ustawiona równolegle do ziemi i na odpowiedniej wysokości cięcia, tak że operator nie musi się nachylać.

WŁĄCZANIE/WYŁĄCZANIE PODKASZARKI

Włączanie

Należy wcisnąć przycisk odblokowujący, a następnie nacisnąć spust. Zmiana siły nacisku na spust powoduje zmianę prędkości obrotów żyłki tnącej. Im silniej naciskany jest spust, tym większa prędkość.

Wyłączanie

Zwolnij przycisk odblokowujący i przycisk spustowy.

UWAGA: Silnik będzie pracował tylko pod warunkiem wciśnięcia zarówno przycisku odblokowującego, jak i spustu.

⚠ OSTRZEŻENIE: W czasie przerw w pracy i po zakończeniu pracy należy zawsze wyjmować akumulator z podkaszarki.

UŻYWANIE PODKASZARKI

⚠ OSTRZEŻENIE: Aby uniknąć poważnych obrażeń ciała, podczas używania narzędzia należy zawsze nosić gogle lub okulary ochronne. Podczas pracy przy silnym zapyleniu należy nosić osłonę na twarz lub maskę przeciwpyłową.

Przed każdym użyciem narzędzia należy uprzątnąć teren pracy. Usunąć wszystkie przedmioty takie jak kamienie, pofalowane szkło, gwoździe, kawałki drutu lub sznurka itp., które mogą zostać wyrzucone w powietrze lub mogą zaplatać się w końcówkę tnącą. Z terenu, który ma zostać skoszony wyprosić dzieci i osoby postronne oraz wygonić zwierzęta. Jako minimum dzieci i osoby postronne oraz zwierzęta muszą znajdować się w odległości 15 m, jednak taka odległość nadal nie eliminuje całkowicie ryzyka trafienia wyrzuconymi w powietrze przedmiotami. Osoby postronne należy zachęcać do noszenia okularów ochronnych. Jeśli do użytkownika zbliży się jakaś osoba, należy natychmiast wyłączyć silnik i zatrzymać narzędzie tnące.

Przed każdym użyciem należy sprawdzić, czy jakieś części nie są uszkodzone lub zużyte

Należy skontrolować głowicę-uderzak, osłonę i przedni uchwył pomocniczy oraz wymienić części pęknięte, wypaczone, skrzywione lub uszkodzone w jakikolwiek sposób.

Ostrze do żyłki tnącej na krawędzi osłony może się z czasem stępić. Zaleca się je okresowo ostrzyć pilnikiem lub wymienić na nowe.

⚠ OSTRZEŻENIE: Na czas mocowania osłony lub obsługi ostrza należy zawsze zakładać rękawice. Należy uważać na ostrze na osłonie – ryzyko skaleczenia dłoni.

Po każdym użyciu należy wyczyścić podkaszarkę.

⚠ OSTROŻNIE: Zanieczyszczenia w otworach wentylacyjnych uniemożliwiają dopływ powietrza do obudowy silnika i w efekcie prowadzą do przegrzania się i uszkodzenia silnika.

Do czyszczenia narzędzia należy używać wyłącznie łagodnego mydła i wilgotnej ściereczki. Do środka urządzenia nie mogą się dostać żadne płyny, nie wolno też zanurzać części urządzenia w jakiegokolwiek cieczy.

- Otwory wentylacyjne w obudowie silnika i trzonek nie mogą być nigdy zabrudzone

⚠ OSTRZEŻENIE: Do czyszczenia podkaszarki nigdy nie należy używać wody. Podczas czyszczenia części plastikowych należy unikać używania rozpuszczalników. Pod wpływem działania różnego rodzaju dostępnych w handlu rozpuszczalników większość tworzyw sztucznych ulega uszkodzeniu. Do usuwania zabrudzeń, kurzu, oleju, smaru itp. należy używać czystych ściereczek.

WSKAZÓWKI DLA UZYSKIWANIA NAJLEPSZYCH WYNIKÓW STRYŻENIA (RYS. N)

- Prawidłowym kątem końcówki do strzyżenia jest równoległe do gruntu.

- Podkaszarki nie należy forsować. Pozwól samej końcówce żyłki na wykonywanie cięcia (zwłaszcza wzdłuż ścian). Cięcie więcej niż jedną końcówką zmniejsza wydajność i może przeciążać silnik.
- Wysokość cięcia jest wyznaczana przez odległość żyłki tnącej od powierzchni trawnika.
- Trawę powyżej 20 cm należy ścinać progresywnie od góry do dołu w małych przyrostach, aby uniknąć przedwczesnego zużycia żyłki lub obciążania silnika.
- Powoli przesuwaj podkaszarkę do ścinanego miejsca i od niego utrzymując pozycję głowicy na żądanej wysokości. To może być albo ruch w przód - w tył, albo z boku na bok. Mniejsze długości cięcia dają lepsze efekty.
- Strzyż tylko wtedy, gdy trawa i zielska są suche.
- Ogrodzenie druciane i parkan mogą powodować skrajne zużycie lub zerwanie żyłki. Ściany kamienne i ceglane, krawężniki i drewno mogą powodować gwałtowne zużycie żyłki.
- Unikaj drzew i krzewów. Kora drzew, próchnica drewniana, boczne części i słupki ogrodzenia mogą łatwo uszkodzić żyłkę.

Części z Rys. N patrz niżej:

N-1	obszar najlepszego cięcia	N-2	obszar niebezpiecznego cięcia
-----	---------------------------	-----	-------------------------------

REGULACJA DŁUGOŚCI ŻYŁKI TNĄCEJ

Głowica-uderzak pozwala operatorowi wysuwać więcej żyłki tnącej bez wyłączania silnika. W miarę jak żyłka strzępi się i zużywa, dodatkową żyłkę można wysunąć lekkim uderzeniem osłoną mocującą szpuli w ziemię w czasie, gdy podkaszarka pracuje (Rys. O).

UWAGA: Im krótsza żyłka, tym trudniejsze staje się jej wysuwanie.

⚠ OSTRZEŻENIE: Nie należy demontować lub przerabiać ostrza do żyłki. Zbyt długa żyłka prowadzi do przegrzewania się silnika i może spowodować poważne urazy ciała.

WYMIANA ŻYŁKI

UWAGA: Należy zawsze używać nylonowej żyłki tnącej zalecanego typu, o średnicy nieprzekraczającej 2,4 mm. Używanie żyłki innego typu może prowadzić do przegrzewania się podkaszarki i spowodować jej uszkodzenie.

⚠ OSTRZEŻENIE: Nigdy nie należy używać żyłek wzmocnionych metalem, drutów, sznurków itp. Mogą się one ułamać i zmienić w niebezpieczne pociski.

Podkaszarka jest wyposażona w zaawansowany system automatycznego nawijania żyłki. Żyłka tnąca może być nawijana na szpulę po prostu przez naciśnięcie pojedynczego przycisku. Ładowanie pełnej

szpuli może być zwykle ukończone w 12 sekund. Unikaj wielokrotnego działania systemu nawijania w krótkich odstępach czasu, aby zmniejszyć możliwość uszkodzenia silnika.

1. Wyjąć akumulator.
2. Jeśli jest to konieczne, wyjąć pozostałą żyłkę tnącą. Wystarczy po prostu pociągnąć ją ręką.
3. Przytnij jeden odcinek żyłki tnącej o długości 4 m. Włóż żyłkę do przelotki (Rys. P) i wciskaj ją tak długo, aż drugi koniec wyjdzie z przeciwnej przelotki.

Części z Rys. P patrz niżej:

P-1	Żyłka tnąca	P-3	Przelotka
P-2	Pokrywa dolna		

4. Wymij akumulator, jeżeli został zamontowany na podkaszarce w poprzedniej czynności.
5. Wcisnąć żyłkę i wyciągnąć ją z drugiej strony, tak aby po obu stronach podkaszarki znajdowało się tyle samo żyłki (Rys. Q).
6. Włożyć akumulator do podkaszarki. Wciśnij i przytrzymaj przycisk ładowania żyłki, aby uruchomić silnik nawijania. Żyłka będzie nawijana na głowicę w sposób ciągły (Rys. R).
7. Uważnie obserwuj pozostałą długość żyłki. Przygotuj przycisk do zwolnienia, gdy po każdej stronie jest około 18 cm żyłki. Krótco wciśnij przycisk ładowania żyłki, aby wyregulować długość aż po 14 cm żyłki będzie wystawać po każdej stronie.
8. Nacisnąć głowicę podkaszarki wciągając pociągnąć żyłki, aby je ręcznie wysunąć, sprawdzić prawidłowe złożenie głowicy podkaszarki.

UWAGA: W razie, gdy żyłka została naciągnięta na głowicę przez przypadek, otwórz głowicę i wyciągnij żyłkę ze szpuli. Stosuj się do instrukcji w rozdziale "PONOWNE ZAKŁADANIE ŻYŁKI TNAJĄCEJ" w celu ręcznego przeladowania żyłki. CUTTING LINE" in this manual to reload the line.

PONOWNE ZAKŁADANIE ŻYŁKI TNAJĄCEJ

Gdy żyłka tnąca urwie się na wylocie żyłki lub gdy żyłka tnąca nie wysuwa się z głowicy podkaszarki pod wpływem uderzenia głowicą o ziemię, należy wówczas wykonać następujące kroki, aby wyjąć pozostałą żyłkę i ją przeladować:

1. Wcisnąć dwa zaczepy odblokowujące w głowicy podkaszarki i wyjąć głowicę przez wyciąganie na wprost (Rys. S-1 & S-2).
2. Wyjąć żyłkę tnącą z głowicy i włożyć sprężynę do szczeliny w zespole pokrywy dolnej (Rys. T).
3. Przytrzymując jedną ręką podkaszarkę drugą chwycić zespół dolnej pokrywy i wyregulować szczeliny w zespole pokrywy dolnej zaczepami zwalnającymi. Wcisnąć zespół pokrywy dolnej, aż zaskoczy na miejscu, przy czym słyszalny jest wyraźny dźwięk kliknięcia (Rys. U).
4. Wykonać instrukcje podane w części „WYMIANA ŻYŁKI”, aby ponownie założyć żyłkę tnącą.

Rys. S1 i T i U – Opis części patrz poniżej:

S1-1	zespół pokrywy dolnej	U-1	Zaczep odblokowujący
S1-2	Zaczep odblokowujący	U-2	Szczelina
T-1	Sprężyna		

WYMIANA GŁOWICY TNAJĄCEJ

⚠️ OSTRZEŻENIE: Jeżeli po zamocowaniu głowica obluźuje się, należy ją natychmiast wymienić. Nigdy nie należy używać podkaszarki z poluzowaną głowicą tnącą. Pękniętą, uszkodzoną i zużytą głowicę tnącą należy natychmiast wymienić, nawet jeśli uszkodzenie polega tylko na spękaniu powierzchni elementu. Tego typu końcówki mogą rozpaść się przy dużej prędkości i spowodować poważne obrażenia.

Wymijowanie głowicy tnącej

1. Wyjąć akumulator z podkaszarki.
2. Wciśnij i zwolnij zaczepy odblokowujące na głowicy tnącej i wyjmij zespół pokrywy dolnej głowicy wyciągając ją prosto (patrz Rys. S1 & S2).
3. Zdejmij żyłkę tnącą z głowicy (Rys. V).
4. W razie potrzeby wyjmij zespół szpuli. Zachowaj go do ponownego montażu.
5. Zakładaj rękawice ochronne. Jedną ręką chwycić zespół szpuli, aby go ustabilizować, a drugiej ręką użyj do przytrzymania klucza udarowego, aby poluzować nakrętkę w lewo (Rys. W).

- Wymij nakrętkę, podkładkę, zespół szpuli i pokrywę górną z wału silnika (Rys. X).
- Szczypcami montażowymi wymij pierścieni osadczy. Wymij zespół wentylatora (Rys. Y).
- Zamień na nową głowicę i zamontuj ją w kolejnych czynnościach.

Rys. W i X i Y opis części patrz poniżej:

W-1	klucz udarowy	X-4	nakrętka
X-1	pokrywa górna	Y-1	zespół wentylatora
X-2	zespół szpuli	Y-2	pierścieni osadczy
X-3	podkładka		

Instalowanie nowej głowicy tnącej

- Wyreguluj szczelinę klucza w zespole wentylatora z rowkiem na wale silnika i zamontuj zespół wentylatora na miejscu (Rys. Z).
- Zamontuj pierścieni osadczy, pokrywę górną, zespół szpuli i podkładkę w tej kolejności. Kluczem udarowym odkręć nakrętkę.
- Według instrukcji w części **"PONOWNE ZAKŁADANIE ŻYŁKI TNĄCEJ"** w tym podręczniku zamontuj zespół pokrywy dolnej.
- Wykonaj instrukcje podane w części **"WYMIANA ŻYŁKI"**, aby ponownie założyć żyłkę tnącą.
- Uruchom narzędzie, aby sprawdzić prawidłowość działania. Jeżeli tak nie jest, zmontuj ponownie, jak opisano wyżej.

Opisy części z Rys. Z patrz niżej:

Z-1	rowek	Z-2	szczelina na klucz
-----	-------	-----	--------------------

KONSERWACJA

⚠ OSTRZEŻENIE: Podczas serwisowania należy używać wyłącznie części zamiennych identycznych z oryginalnymi. Maszynę należy regularnie kontrolować i konserwować. Aby zagwarantować bezpieczeństwo i niezawodność, wszystkie naprawy powinny być wykonywane przez wykwalifikowanych techników serwisu.

⚠ OSTRZEŻENIE: Narzędzia akumulatorowe nie wymagają podłączenia do kontaktu elektrycznego i dlatego są zawsze gotowe do pracy. Aby zapobiec poważnym urazom ciała, podczas wykonywania czynności konserwacyjnych, w czasie serwisowania lub wymiany końcówek tnących lub innych należy stosować dodatkowe środki ostrożności.

⚠ OSTRZEŻENIE: Aby uniknąć poważnych obrażeń ciała, przed serwisowaniem, czyszczeniem, wymianą osprzętu dodatkowego i należy zawsze wyjmować z narzędzia akumulator.

CZYSZCZENIE URZĄDZENIA

- Wyrób należy czyścić wilgotną ściereczką i łagodnym detergentem.
- Do czyszczenia części plastikowych lub uchwytu nie należy używać jakichkolwiek silnych detergentów. Mogą one zostać uszkodzone przez niektóre olejki aromatyczne, takie jak olejek sosnowy i cytrynowy oraz przez rozpuszczalniki takie jak nafta. Wilgoć może także spowodować porażenie prądem. Wszelką wilgoć należy wycierać miękką suchą ściereczką.
- Do czyszczenia otworów wentylacyjnych i usuwania zanieczyszczeń z tylnej części obudowy należy używać małej szczoteczki lub małego odkurzacza.

OSTRZENIE OSTRZA ŻYŁKI TNĄCEJ

⚠ OSTRZEŻENIE: Zawsze chroń swoje ręce nosząc grube rękawice podczas wykonywania prac serwisowych przy ostrzu tnącym żyłki.

- Wymij ostrze z osłony.
- Noś odpowiednią osłonę oczu oraz rękawice i zachowuj ostrożność, aby się nie skaleczyć.
- Zabezpiecz ostrze w imadle.
- Ostrożnie piluj krawędzie tnące ostrza drobnym pilnikiem lub oselką zachowując oryginalny kąt krawędzi tnącej.
- Ponownie załóż ostrze w osłonę i zabezpiecz na miejscu dwiema śrubami.

PRZECHOWYWANIE URZĄDZENIA

- Gdy podkaszarka nie będzie używana, należy wyjąć z niej akumulator.
- Przed schowaniem narzędzie należy dokładnie wyczyścić.
- Urządzenie należy przechowywać w suchym i dobrze wentylowanym miejscu niedostępnym dla dzieci: albo pod kluczem, albo wystarczająco wysoko. Urządzenia nie należy używać na nawozach lub w ich pobliżu, to samo dotyczy podłoża zanieczyszczonych benzyną i substancjami chemicznymi.

Ochrona środowiska



Urządzeń elektrycznych, ładowarki do akumulatorów oraz akumulatorów/baterii akumulatorowych nie należy wyrzucać do zwykłych zmieszanych śmieci domowych!

Zgodnie z dyrektywami Wspólnoty Europejskiej, odpowiednio nr 2012/19/WE i 2006/66/WE, urządzenia elektryczne i elektroniczne nienadające się dłużej do użycia oraz uszkodzone lub zużyte akumulatory/baterie trzeba zbierać oddzielnie.

Wyrzucanie urządzeń elektrycznych na wysypisko grozi wyciekami niebezpiecznych substancji do wód gruntowych i przedostaniem się ich do łańcucha pokarmowego, ze szkodą dla zdrowia i jakości życia użytkownika.

ROZWIĄZYWANIE PROBLEMÓW

PROBLEM	PRZYCZYNA	ROZWIĄZANIE
Podkaszarka nie włącza się.	<ul style="list-style-type: none"> ■ Do podkaszarki nie włożono akumulatora. ■ Podkaszarka i akumulator nie kontaktują. ■ Akumulator jest rozładowany. ■ Przycisk odblokowujący i przełącznik spustowy nie zostały wciśnięte jednocześnie. 	<ul style="list-style-type: none"> ■ Włożyć akumulator do podkaszarki. ■ Wyjąć akumulator, sprawdzić styki i założyć akumulator z powrotem. ■ Naładować akumulator. ■ Aby włączyć podkaszarkę, należy wcisnąć i przytrzymać przycisk odblokowujący, a następnie nacisnąć przełącznik spustowy.
Podkaszarka wyłącza się podczas koszenia.	<ul style="list-style-type: none"> ■ Na podkaszarce nie ma zamontowanej osłony, przez co żyłka jest za długa i dochodzi do przeciążenia silnika. ■ Używana jest ciężka żyłka. ■ Wałek silnika lub głowica podkaszarki są zapchane trawą. ■ Silnik jest przeciążony. ■ Akumulator lub podkaszarka jest zbyt gorący/-a. ■ Akumulator jest odłączony od narzędzia. ■ Akumulator jest rozładowany. 	<ul style="list-style-type: none"> ■ Wyjąć akumulator i zamocować osłonę w podkaszarce. ■ Używać zalecanej nylonowej żyłki tnącej o średnicy nie większej niż 2,4 mm. ■ Zatrzymać podkaszarkę, wyjąć akumulator i usunąć trawę z wałka silnika i głowicy podkaszarki. ■ Wyjąć głowicę podkaszarki z trawy. Gdy tylko obciążenie zostanie usunięte, silnik wznowi pracę. Podczas koszenia przesuwac głowicę podkaszarki w koszoną trawę i wysuwać ją z niej, nie więcej niż o 20 cm długości w jednym cięciu. ■ Pozwolić, aby akumulator lub podkaszarka ostygły do temperatury poniżej 67°C. ■ Ponownie założyć akumulator. ■ Naładować akumulator.

PROBLEM	PRZYCZYNA	ROZWIĄZANIE
Głowica podkaszarki nie wysuwa żyłki.	<ul style="list-style-type: none"> ■ Walek silnika lub głowica podkaszarki są zapchane trawą. ■ W osłonie mocującej szpuli jest za mało żyłki. ■ Głowica podkaszarki jest zabrudzona. ■ Żyłka w osłonie mocującej szpuli poplątała się. ■ Żyłka jest za krótka. 	<ul style="list-style-type: none"> ■ Zatrzymać podkaszarkę, wyjąć akumulator i usunąć trawę z wałka silnika i głowicy podkaszarki. ■ Wyjąć akumulator i wymienić żyłkę tnącą; patrz część „WYMIANA ŻYŁKI” w niniejszej instrukcji. ■ Wyjąć akumulator i wyczyścić szpulę, osłonę mocującą szpuli i podstawę szpuli. ■ Wyjąć akumulator, wyjąć żyłkę ze szpuli i przewinąć; patrz część „WYMIANA ŻYŁKI” w niniejszej instrukcji. ■ Wyjąć akumulator i pociągnąć żyłki, a jednocześnie na przemian wciskać i puszczać głowicę.
Trawa owija się wokół głowicy podkaszarki i obudowy silnika.	<ul style="list-style-type: none"> ■ Koszenie wysokiej trawy tuż przy ziemi. 	<ul style="list-style-type: none"> ■ Wysoką trawę kosić od góry ku dołowi, za jednym razem skracać źdźbła nie więcej niż o 20 cm, aby nie dopuścić do owijania się trawy wokół głowicy.
Ostrze nie docina żyłki tnącej.	<ul style="list-style-type: none"> ■ Ostrze do żyłki tnącej na krawędzi osłony stępilo się. 	<ul style="list-style-type: none"> ■ Naostriżyć pilnikiem ostrze do przycinania żyłki tnącej lub wymienić je na nowe.
Pęknięcia na głowicy podkaszarki lub osłona mocująca szpuli odczepia się od podstawy szpuli.	<ul style="list-style-type: none"> ■ Głowica podkaszarki jest zużyta. 	<ul style="list-style-type: none"> ■ Natychmiast wymienić głowicę podkaszarki. Czynność tę powinien wykonać wykwalifikowany technik serwisu.
W czasie wymiany żyłki nie da się prawidłowo włożyć żyłki do głowicy podkaszarki.	<ul style="list-style-type: none"> ■ Żyłki założone do osłony mocującej szpuli nie pasują do oczek w podstawie szpuli. ■ Żyłka nie jest prawidłowo włożona do otworu mocującego w oczku. 	<ul style="list-style-type: none"> ■ Obrócić osłonę mocującą szpuli w kierunku zaznaczonym strzałką, tak aby dopasować założone w osłonie szpuli żyłki (LOAD) do otworów w podstawie szpuli. ■ Najpierw dopasować założone żyłki do oczek, a potem włożyć żyłkę do otworu mocującego w środku oczka.

GWARANCJA

POLITYKA GWARANCYJNA EGO

W celu zapoznania się z wszystkimi warunkami polityki gwarancyjnej EGO prosimy odwiedzić stronę egopowerplus.com.

PŘEČTĚTE SI VŠECHNY POKYNY!



PŘEČTĚTE SI NÁVOD K OBSLUZE

⚠ Zbytkové riziko! Lidé s elektronickými přístroji, jako jsou např. kardiostimulátory, by se měli před použitím toho výrobku poradit se svým lékařem. Použití elektrického zařízení v těsné blízkosti kardiostimulátoru může způsobit narušení činnosti nebo poruchu kardiostimulátoru.

⚠ VAROVÁNÍ: Z důvodu bezpečnosti by měl všechny opravy a výměny provádět kvalifikovaný servisní technik.

BEZPEČNOSTNÍ SYMBOLY

Účelem bezpečnostních symbolů je upoutat vaši pozornost k případným nebezpečím. Bezpečnostní symboly a jejich vysvětlení vyžadují vaši zvýšenou pozornost a porozumění. Výstražné symboly samy o sobě nevylučují žádné nebezpečí. Pokyny a varování nejsou náhradou vhodných opatření pro prevenci úrazů.

⚠ VAROVÁNÍ: Před použitím tohoto nástroje si přečtete a seznámte se se všemi bezpečnostními pokyny v tomto návodu k obsluze včetně veškerých výstražných symbolů, jako např. „NEBEZPEČÍ“, „VAROVÁNÍ“ nebo „UPOZORNĚNÍ“. Nedodržení níže uvedených pokynů může mít za následek úraz elektrickým proudem, požár a nebo vážná poranění osob.

VÝZNAM SYMBOLŮ

⚠ BEZPEČNOSTNÍ VÝSTRAŽNÉ SYMBOLY:

Upozorňují na NEBEZPEČÍ, VAROVÁNÍ, nebo UPOZORNĚNÍ. Lze je používat ve spojení s jinými symboly nebo piktogramy.

BEZPEČNOSTNÍ POKYNY

Na této stránce jsou zobrazeny a popsány bezpečnostní symboly, které se mohou objevit na výrobku. Před montáží a provozem si přečtete, seznámte se a dodržujte veškeré pokyny ke stroji.

	Bezpečnostní upozornění	Upozorňuje na možné riziko úrazu.
	Přečtete si návod k obsluze	Z důvodu snížení rizika úrazu si musí uživatel před použitím tohoto výrobku přečíst a seznámit se s návodem k obsluze.
	Používejte ochranu očí	Vždy noste ochranné brýle, ochranné brýle s bočními kryty nebo obličejový štít při použití tohoto výrobku.
	Používejte ochranu sluchu.	Vždy používejte ochranu sluchu (špunty do uší nebo sluchátka), která chrání váš sluch.
	Šířka sekání	Max. šířka sekání strunové sekačky
	Průměr struny	Průměr nylonové žací struny
	Používejte ochranu hlavy.	K ochraně hlavy používejte schválenou pevnou ochrannou přílbu.
	Používejte ochranné rukavice.	Chraňte své ruce rukavicemi při manipulaci s čepelí nebo chráničem čepelí. Odolné protiskluzové rukavice zlepšují váš úchop a chrání ruce.
	Používejte ochrannou obuv.	Při použití tohoto zařízení noste protiskluzovou bezpečnostní obuv.
	Dejte si pozor na zpětný ráz.	Upozorníte obsluhu na nebezpečí zpětného rázu.

	Odraz a ostatní osoby v bezpečné vzdálenosti	Vymrštěné objekty se mohou odrazit a mít za následek zranění osob nebo poškození majetku. Když křovinořez používáte, udržujte od ostatních osob a domácích zvířat bezpečnou vzdálenost.
	Udržujte ostatní osoby v bezpečné vzdálenosti.	Když strunovou sekačku používáte, udržujte od ostatních osob a domácích zvířat bezpečnou vzdálenost aspoň 15 m.
	Bez kulaté čepele	Neinstalujte kulaté řezací čepele.
	Nevystavujte dešti.	Nepoužívejte ani nenechávejte venku na dešti.
	CE	Tento výrobek je v souladu s platnými směnicemi ES.
	WEEE	Odpadní elektrické výrobky se nesmí likvidovat s domovním odpadem. Odevzdejte do autorizovaného recyklačního střediska.
	Hlučnost	Garantovaná hladina akustického výkonu. Emise hluku do prostředí dle direktivy Evropského společenství.
V	Voltů	Napětí
	Stejnoseměrný proud	Druh nebo vlastnosti proudu
n_0	Rychlost při chodu naprázdno	Otáčky při chodu naprázdno
min^{-1}	Za minutu	Otáčky za minutu

OBECNÁ BEZPEČNOSTNÍ VAROVÁNÍ PRO PRÁCI S ELEKTRICKÝM NÁŘADÍM

VAROVÁNÍ: Přečtěte si všechny bezpečnostní výstrahy, pokyny, ilustrace a technické údaje dodané s tímto elektrickým nářadím. Nedodržení všech níže uvedených pokynů může vést k úrazu elektrickým proudem, požáru a / nebo vážnému úrazu!

Všechna varování a pokyny si uschovejte pro budoucí použití.

Termín „elektrické nářadí“ ve varováních odkazuje na vaše elektrické (s kabelem) nebo akumulátorové (bez kabelu) elektrické nářadí.

BEZPEČNOST NA PRACOVIŠTI

- **Udržujte pracovní prostor v čistotě a dobře osvětlený.** Nepořádek nebo neosvětlené pracovní oblasti mohou vést k úrazům.
- **Nepracujte s elektrickým nářadím ve výbušném prostředí, například v přítomnosti hořlavých kapalin, plynů nebo prachu.** Elektrické nářadí je zdrojem jiskřínek, které může zapálit prach nebo výpary.
- **Při práci s elektrickým nářadím udržujte děti a přihlížející osoby v bezpečné vzdálenosti.** Nesoustředěnost může způsobit ztrátu kontroly.

BEZPEČNOST OSOB

- **Zůstaňte stále pozorní, sledujte, co děláte a používejte zdravý rozum při práci s elektrickým nářadím. Nepoužívejte elektrické nářadí, jste-li unaveni nebo pod vlivem drog, alkoholu nebo léků.** Jediná chvilka nepozornosti při práci s elektrickým nářadím může mít za následek vážný úraz.
- **Používejte osobní ochranné pracovní prostředky.** Vždy používejte ochranu očí. Ochranné pomůcky, jako např. respirátor, protiskluzová bezpečnostní obuv, pevná přilba nebo chrániče sluchu používané ve vhodném prostředí snižují riziko úrazu.
- **Zabraňte náhodnému spuštění. Před připojením ke zdroji napětí a/nebo akumulátoru, zvednutím nebo přenášením nářadí se ujistěte, že spínač je ve vypnuté poloze.** Přenášení elektrického nářadí s prstem na spínači, nebo zapojování elektrického nářadí, které má zapnutý spínač, může snadno způsobit nehodu či úraz.
- **Před zapnutím elektrického nářadí odstraňte seřizovací klíče nebo klíče.** Nástroj nebo klíč, který ponecháte připevněn k otáčející se části elektrického nářadí, může způsobit osobní zranění.
- **Nepřeceňujte se. Vždy udržujte pevný postoj a rovnováhu.** To umožňuje lepší ovladatelnost nářadí v neočekávaných situacích.
- **Vhodné se oblékejte. Nenoste volný oděv ani šperky. Udržujte své vlasy, oblečení a rukavice mimo dosah pohyblivých se částí.** Volný oděv, šperky nebo dlouhé vlasy se mohou zachytit do pohyblivých se dílů.

- Pokud je zařízení vybaveno adaptérem pro připojení odsávání prachu a sběrnými zařízeními, zajistíte jejich správné připojení a řádnou funkci. Použití zařízení k odsávání prachu může snížit rizika spojená s prachem.
- Nedovolte, abyste se po získání zkušenosti častým používáním nástrojů stali neobezřetnými a ignorovali zásady bezpečnosti. Nedbalá činnost může způsobit vážné zranění za zlomek sekundy.

POUŽITÍ A PÉČE O ELEKTRICKÉ NÁŘADÍ

- **Netlačte příliš na nářadí. Používejte správný typ nářadí pro vaši aplikaci.** Správné elektrické nářadí bude pracovat lépe a bezpečněji rychleji, pro kterou bylo navrženo.
- **Nepoužívejte nářadí, pokud ho spínač nezapne a nevypne.** Jakékoliv elektrické nářadí, které nelze ovládat spínačem, je nebezpečné a musí být opraveno.
- **Uložte elektrické nářadí mimo dosah dětí a nedovolte ostatním osobám, které nejsou seznámeny s elektrickým nářadím nebo s tímto návodem, aby s nářadím pracovali.** Elektrické nářadí se v rukou nequalifikovaných osob stává nebezpečným.
- **Udržujte elektrické nářadí a příslušenství.** Zkontrolujte vychýlení či zaseknutí pohyblivých částí, poškození jednotlivých dílů a jiné okolnosti, které mohou ovlivnit chod nářadí. Je-li nářadí poškozeno, nechejte ho před použitím opravit. Mnoho nehod je způsobeno nedostatečnou údržbou nářadí.
- **Udržujte řezné nástroje ostré a čisté.** Řádně udržované řezné nástroje s ostrými řeznými břity jsou méně náchylné k zanášení nečistotami a lépe se ovládají.
- **Používejte elektrické nářadí, příslušenství a nástrojové bity atd. v souladu s těmito pokyny s přihlédnutím k pracovním podmínkám a práci, která má být provedena.** Používání elektrického nářadí k činnostem, pro které není určeno, může vést k nebezpečným situacím.
- **Udržujte rukojeti a uchopovací plochy suché, čisté, bez oleje a maziva.** Kluzké držadla a uchopovací plochy neumožňují bezpečnou manipulaci s nástrojem a jeho ovládání v nečekaných situacích.
- **Udržujte kabely mimo pracovní oblast nářadí.** Během provozu nemusí být kabely vidět a mohou být nářadím náhodně poškozeny.

POUŽITÍ A PÉČE O AKUMULÁTOROVÉ NÁŘADÍ

- **Nabíjejte pouze v nabíječce určené výrobcem.** Nabíječka vhodná pro jeden typ akumulátoru může způsobit riziko požáru při použití s jiným akumulátorem.
- **Používejte elektrické nářadí pouze s výslovně určenými akumulátory.** Použití jiných akumulátorů může způsobit riziko úrazu a požáru.
- **Pokud akumulátor nepoužíváte, držte jej z dosahu kovových předmětů, jako jsou kancelářské sponky**

na papír, mince, klíče, hřebíky, šroubky nebo další drobné kovové předměty, které mohou spojit vývod baterie navzájem. Zkratování kontaktů baterie může způsobit spalení nebo požár.

- **V nevhodných podmínkách může kapalina unikat z baterie. Zabraňte kontaktu. Při náhodném kontaktu opláchněte vodou. Při zasažení očí kapalinou vyhledejte lékařskou pomoc.** Unikající kapalina z akumulátoru může způsobit podráždění pokožky nebo popáleniny.
- **Nepoužívejte akumulátor nebo nástroj, který je poškozen nebo upraven.** Poškozené nebo upravené baterie mohou mít nepředvídatelné chování, které může vést k požáru, výbuchu nebo nebezpečí zranění.
- **Nevystavujte akumulátor ani nástroj ohni nebo nadměrné teplotě.** Při vystavení ohni nebo teplotě nad 100 °C může dojít k výbuchu.
- **Dodržujte všechny pokyny pro nabíjení a nenabíjejte baterii nebo nástroj mimo rozsah teplot uvedených v pokynech.** Nesprávné nabíjení nebo při teplotách mimo stanovený rozsah může poškodit akumulátor a zvýšit riziko požáru.

SERVIS

- **Svěřte opravu vašeho elektrického nářadí kvalifikované osobě používající pouze shodné náhradní díly.** Tím zajistíte bezpečnost elektrického nářadí.
- **Nikdy neopravujte poškozené akumulátory.** Servis akumulátorů smí provádět pouze výrobce nebo autorizovaní poskytovatelé služeb.

VAROVÁNÍ: Přečtěte si všechny bezpečnostní výstrahy, pokyny, ilustrace a technické údaje dodané s tímto elektrickým nářadím. Nedodržení všech níže uvedených pokynů může vést k úrazu elektrickým proudem, požáru a/nebo vážnému úrazu. Všechna varování a pokyny si uschovejte pro budoucí použití.

Všechna varování a pokyny si uschovejte pro budoucí použití.

ŠKOLENÍ

- **Pečlivě si přečtěte tyto pokyny.** Seznamte se s ovládacími prvky a správným použitím stroje.
- **Osoby nebo děti, které se neseznámily s těmito pokyny, nesmí zařízení používat.** Místní předpisy mohou omezovat věk obsluhy.
- **Nezapomínejte, že obsluha nebo uživatel je zodpovědný za nehody nebo ohrožení jiných osob nebo jejich majetku.**

PŘÍPRAVA

- **Stroj nikdy nepoužívejte, pokud jsou v blízkosti osoby, zejména děti, nebo domácí zvířata.**

- Při práci se strojem vždy používejte ochranu očí a noste pevnou obuv.
- Vzdálenost mezi strojem a ostatními osobami nesmí být menší než 15 m.
- Nikdy neprovozujte stroj, pokud jste unaveni, nemocní nebo pod vlivem alkoholu nebo jiných drog.

OBSLUHA

- Stroj používejte pouze za denního světla nebo při dobrém umělém osvětlení.
- Nikdy stroj nepoužívejte, pokud jsou poškozené kryty nebo štíty, nebo když nejsou instalované.
- Motor zapnete pouze v případě, že jsou ruce a nohy v bezpečné vzdálenosti od řezacího nástroje.
- Stroj vždy odpojte od zdroje napájení (tj. vyjměte akumulátor).
 - kdykoliv je stroj bez dozoru;
 - před odstraněním překážky;
 - před kontrolou, čištěním nebo prací na stroji.
 - po nárazu do cizího tělesa;
 - vždy, když začne stroj abnormálně vibrovat.
- Dávejte pozor na poranění nohou a rukou řezným nástrojem.
- Dbejte, aby větrací otvory byly vždy udržovány v čistotě.

ÚDRŽBA A SKLADOVÁNÍ

- Před provedením údržby nebo čištění stroj vždy odpojte od elektrické sítě (tj. vyjměte akumulátor).
- Používejte pouze náhradní díly a příslušenství doporučené výrobcem.
- Pravidelně stroj kontrolujte a udržujte. Opravu stroje svěťte pouze autorizovanému opraváři.
- Pokud se nepoužívá, skladujte stroj mimo dosah dětí.

DALŠÍ BEZPEČNOSTNÍ VAROVÁNÍ

- **Vyhňte se nebezpečným prostředím** – Nepoužívejte přístroje ve vlhkém nebo mokřem prostředí.
- **Veškeré kryty musejí být instalovány na příslušných místech a musejí být v dobrém stavu.**
- **Udržujte ruce a nohy v bezpečné vzdálenosti od řezacího prostoru.**
- **Pro snížení rizika úrazu nikdy nepracujte na žebříku nebo jiné nestabilní podpoře. Nikdy nedržte řezací jednotku nad úroveň pasu.**
- **Řezací jednotku kontrolujte v pravidelných intervalech při práci, nebo okamžitě v případě zjevné změny v chodu řezání.**
- **Pro dosažení nejlepších výsledků baterii nabíjejte na**

místě, kde je teplota vyšší než 5 ° C a nižší než 40 ° C. Neskladujte ji ve vnějším prostředí ani ve vozidlech.

- **Poukud se k vám někdo blíží, okamžitě vypněte motor a řezací jednotku.**
- **Upozorněte obsluhu na nebezpečí zpětného rázu čepele (pouze u 3-zubé čepele).**
 - Ke zpětnému rázu může dojít při kontaktu otáčejícího se ostří s objektem, který není okamžitě přeriznutý.
 - Zpětný ráz může být dost silný, aby způsobil pohyb přístroje a/nebo provozovatele v libovolném směru a může taky vést ke ztrátě kontroly nad přístrojem.
 - Ke zpětnému rázu může dojít bez varování, jestliže se čepel zadrhne, zastaví nebo zasekne.
 - Zpětný ráz je pravděpodobnější v oblastech, kde je obtížné vidět řezaný materiál.
- **Nepřipojujte žádnou čepel na přístroj bez řádné instalace všech potřebných dílů. Pokud se nepoužijí správné díly, může dojít k odletění čepele a vážnému poranění obsluhu a/nebo kolemjdoucích. Vyhodte čepel, které jsou ohnuté, zdeformované, popraskané, rozbité nebo jinak jakkoli poškozené. Používejte ostré čepel. Tupá čepel se více pravděpodobně zachytí a provede zpětný ráz (pouze u 3-zubé čepele).**
- **Volnoběžná čepel/struna může způsobit zranění, když se dále otáčí potom, co je motor zastaven nebo spouštěč uvolněn. Dodržujte řádnou kontrolu, dokud čepel/struna zcela nezastaví svoje otáčení.**
- Používejte pouze akumulátory a nabíječky uvedené na obr. A.
- **Akumulátorové nářadí se nemusí zapojovat do elektrické zásuvky, proto jsou vždy v provozním stavu. Nezapomínejte na možná rizika ani v případě, že je nářadí vypnuté. Dávejte pozor při provádění údržby nebo opravy.**
- **Nemyjte hadici; dbejte, aby se do motoru a elektrických přípojek nedostala voda.**
- **Pokud nastane situace, která není popsána v tomto návodu, použijte pečlivý a zdravý úsudek. Obratě se na zákaznické servisní středisko EGO se žádostí o pomoc.**

TYTO POKYNY USCHOVEJTE PRO BUDOUCÍ POUŽITÍ!

SPECIFIKACE

Napětí	56 V ---	
Rychlost při chodu naprázdno	4000-5800 /min	
Žací mechanismus	Strunová hlava	
Typ žací struny	2,4 mm nylonová vinutá struna	
Šířka sekání	38 cm	
Doporučovaná provozní teplota	0°C-40°C	
Doporučovaná teplota skladování	-20°C-70°C	
Hmotnost (bez akumulátoru)	3,2 kg	
Měřená hladina akustického výkonu L_{WA}	92,6 dB(A) K=0,8 dB(A)	
Hladina akustického tlaku pro ucho operátora L_{PA}	72,6 dB(A) K=2,5 dB(A)	
Zaručená úroveň akustického výkonu L_{WA} (podle směrnice 2000/14/ES)	93 dB(A)	
Vibration a_h	Přední pomocná rukojeť	3,5 m/s ² K=1,5 m/s ²
	Zadní rukojeť	2,1 m/s ² K=1,5 m/s ²

- Celková deklarovaná hodnota vibrací byla naměřena podle standardní zkušební metody a lze ji použít ke srovnání s jiným nářadím;
- Celkovou deklarovanou hodnotu vibrací lze použít také k předběžnému stanovení expozičních limitů.

POZNÁMKA: Emise vibrací při konkrétním použití elektrického nářadí se mohou lišit od deklarované hodnoty, při které se nářadí používá; z důvodu ochrany provozovatele by měl uživatel ve skutečných pracovních podmínkách nosit rukavice a chrániče sluchu.

OBSAH BALENÍ

NÁZEV DÍLU	MNOŽSTVÍ
Strunová sekačka	1
Kryt	1
Sestava přední pomocné rukojeti	1
Ramenní popruh	1
Šestihranný klíč	1
Návod k obsluze	1
Žací struna	1

POPIS

SEZNAMTE SE S VAŠÍ STRUNOVOU SEKAČKOU (obr. A)

1. Zadní rukojeť
2. Spinač
3. Blokovací tlačítko
4. Stavitelná přední pomocná rukojeť
5. Ramenní popruh
6. Hřídel
7. Kryt
8. Tlačítko pro uvolnění akumulátoru
9. Západka
10. Elektrické kontakty
11. Vysunovací mechanismus
12. Strunová hlava (Bump Head)
13. Tlačítko podávání struny
14. Žací struna
15. Uvolňovací západka
16. Vyzinací kotouč
17. Šestihranný klíč

MONTÁŽ

VAROVÁNÍ: Pokud jsou některé díly poškozené, nebo chybí, nepoužívejte výrobek, dokud se díly nevymění. Použití tohoto výrobku s poškozenými nebo chybějícími díly může vést k vážnému úrazu.

VAROVÁNÍ: Nepokoušejte se výrobek upravovat ani vytvářet příslušenství, které se k této strunové sekačce nedoporučuje. Každá taková změna nebo úprava je nesprávná a může vést k nebezpečné situaci, která může zapříčinit vážný úraz.

VAROVÁNÍ: Pokud provádíte montáž dílů, vždy vyměňte akumulátor, aby nedošlo k neúmyslnému spuštění, které může způsobit vážný úraz.

MONTÁŽ KRYTU

VAROVÁNÍ: Při montáži nebo výměně krytu vždy používejte rukavice. Pozor na nůž na krytu, chraňte si ruce před pořezáním.

VAROVÁNÍ: Nářadí nikdy nepoužívejte bez řádně nainstalovaného chrániče. Kryt musí být vždy na nářadí z důvodu ochrany uživatele! Pokud je kryt instalovaný napevno, nikdy se jej nepokoušejte odstranit nebo upravit, pokud je nezbytná výměna, měla by být provedena kvalifikovaným servisním technikem!

Vyrovnejte dva šrouby, které jsou předmontovány na krytu, se dvěma otvory pro šrouby v hřídeli (obr. B) a poté je utáhněte dodaným šestihřanným klíčem (obr. C).

Zkontrolujte, zda je kryt upevněn podle obr. B a C, obrácené upevnění představuje vysoké riziko!

MONTÁŽ A NASTAVENÍ PŘEDNÍ POMOCNÉ RUKOJETI

Nasadte přední pomocnou rukojeť na hřídel (obr. E), vložíte upínací blok do otvoru rukojeti (obr. F), namontujte pojistnou tyč a svorku, zajistíte je křídlovou maticí (obr. G). Postup je znázorněn na obr. D. Nakonec nastavte přední pomocnou rukojeť mezi měkké pouzdro a štítek, aby bylo vaše předloktí při použití sekačky natažené (obr. H) a zajistíte páčku pojistné tyče (obr. I).

Popis částí obr. D a H viz níže:

D-1	Přední pomocná rukojeť	D-4	Křídlová matice
D-2	Pojistná tyč	H-1	Měkké pouzdro
D-3	Upínací blok	H-2	Výstražný štítek

POZNÁMKA: Přední pomocná rukojeť musí být natočena vzhůru tak, aby směřovala k horní části zadní rukojeti.

VAROVÁNÍ: Přední pomocnou rukojeť upevňujte výhradně mezi měkké pouzdro a štítek na hřídeli.

VAROVÁNÍ: Nářadí nelze používat bez bezpečně upevněné přední pomocné rukojeti.

PŘIPEVNĚNÍ RAMENNÍHO POPRUHU

1. Uvolněte a demontujte šroub v háku popruhu (obr. J1 a J2).
2. Nasadte hák na hřídel, jak je znázorněno na obr. J3, a zajistíte šroubem (obr. J4).

VAROVÁNÍ: Háček popruhu upevňujte pouze mezi pouzdro a měkké pouzdro hřídele.

POUŽITÍ

VAROVÁNÍ: Dbejte, abyste se po seznámení s výrobkem nestali neopatrní. Nezapomínejte, že stačí chvíle nepozornosti a může se stát vážný úraz.

VAROVÁNÍ: Při práci s elektrickým nářadím vždy noste ochranné brýle nebo ochranné brýle s bočními kryty a používejte ochranu sluchu. Pokud tak neučiníte, může dojít k vyvrstvení předmětu do očí, nebo případně jiným vážným úrazům.

VAROVÁNÍ: Nepoužívejte nástavce nebo příslušenství, které nedoporučuje výrobce tohoto výrobku. Použití nedoporučených nástavců a příslušenství může vést k vážnému úrazu.

VAROVÁNÍ: Před servisem, čištěním, výměnou nástavců nebo odstraněním materiálu vyjměte akumulátor z nářadí, aby nedošlo k vážnému úrazu.

Výrobek lze použít k následujícím účelům:

Tzarovnáni: slouží k odstranění trávy a plevele u zdi, plotů, stromů a obrušníků.

Sekání: slouží k sekání trávy, která je pro běžnou sekačku obtížně dostupná.

POZNÁMKA: Nářadí se smí používat pouze k vyhrazenému účelu. Jakékoliv jiné použití, např. úprava rohů, se považuje za nesprávné.

INSTALACE/VYJMUTÍ AKUMULÁTORU

POZNÁMKA: Pro lepší vyvážení, pokud používáte akumulátory BA3360/BA4200/BA4200T/BA5600T, používejte zádový postroj (BH1000).

Před prvním použitím akumulátor nabijte.

Instalace

Srovnejte žebrování akumulátoru s instalačními drážkami a tlačte na akumulátor, dokud neuslyšíte „kliknutí“ (obr. K2).

Vyjmutí

Stiskněte tlačítko pro uvolnění akumulátoru a vytáhněte jej, jak je znázorněno na obr. L.

Popis dílů obr. K1 a K2 viz níže:

K-1	Akumulátor BA3360/BA4200/ BA4200T/ BA5600T	K-4	Západka
K-2	Adaptér	K-5	Instalační drážka akumulátoru
K-3	Zádový postroj		

JAK DRŽET STRUNOVOU SEKAČKU

VAROVÁNÍ: Pro práci s tímto nářadím se vhodně oblékněte, abyste snížili riziko úrazu. Nenoste volný oděv ani šperky. Používejte ochranu očí a chrániče sluchu. Noste odolné, dlouhé kalhoty, pevné boty a rukavice. Nenoste krátké kalhoty, sandály ani nechoďte bosí.

Před spuštěním držte sekačku oběma rukama, jednou rukou za zadní rukojeť a druhou za přední pomocnou rukojeť, která musí být rovná (obr. M). Zkontrolujte vyvážený postoj a správnou žací vzdálenost.

POZNÁMKA: Strunová hlava je rovnoběžná se zemí ve správné žací vzdálenosti, aniž by se musela obsluha překloubit.

SPUŠTĚNÍ/VYPNUTÍ STRUNOVÉ SEKAČKY

Spuštění

Stiskněte tlačítko pojistky a poté stiskněte spoušť. Odlišný tlak na spouštěč způsobí proměnlivou rychlost otáčení řezací struny. Vyšší intenzita, vyšší rychlost.

Zastavení

Uvolněte tlačítko pojistky a spoušť.

POZNÁMKA: Motor se spustí, pouze když jsou tlačítko pojistky a spoušť stisknuty současně.

VAROVÁNÍ: Při přestávce a po skončení práce vždy vyjměte akumulátor ze strunové sekačky.

POUŽITÍ STRUNOVÉ SEKAČKY

VAROVÁNÍ: Aby nedošlo k vážnému úrazu, používejte vždy při práci s tímto nářadím ochranné brýle. V prašném prostředí používejte ochrannou masku nebo protiprachový respirátor.

Před každým použitím vyčistěte prostor, kde budete stříhat. Odstraňte veškeré předměty, jako jsou např. kameny, rozbité sklo, hřebíky, dráty nebo provazy, které mohou být vrženy, nebo se mohou do žacího nástavce zaplést. Z prostoru vyžeňte děti, ostatní osoby a domácí zvířata. Minimální bezpečná vzdálenost pro děti, ostatní osoby a domácí zvířata je 15 m; stále však hrozí riziko zasažení ostatních osob vymrštěnými předměty. Ostatním osobám doporučte použití ochrany očí. Pokud se k vám někdo blíží, okamžitě vypněte motor a žací nástavec.

Před každým použitím zkontrolujte poškození/opotřebení dílů

Zkontrolujte strunovou hlavu, kryt, přední pomocnou rukojeť a vyměňte díly, které jsou prasklé, zdeformované, ohnuté nebo jinak poškozené.

Vyžínací kotouč na okraj krytu se může časem ztupit. Doporučujeme vyžínací kotouč pravidelně brousit pilníkem, nebo jej vyměnit za nový.

VAROVÁNÍ: Při montáži krytu nebo servisu kotouče vždy používejte rukavice. Pozor na nůž na krytu, chraňte si ruce před pořezáním.

Po každém použití sekačku vyčistěte.

UPOZORNĚNÍ: Překážky ve větracích otvorech zabrání proudění vzduchu do pouzdra motoru, což povede k přehřátí nebo poškození motoru.

K čištění nářadí používejte pouze neagresivní mýdlo a vlhký hadr. Dbejte, aby do nářadí nepronikla žádná kapalina; žádný díl tohoto nářadí nikdy neponořujte do kapaliny.

- Udržujte větrací otvory pouzdra motoru a hřídele vždy v čistotě.

VAROVÁNÍ: K čištění nůžek nikdy nepoužívejte vodu. K čištění plastových dílů nepoužívejte rozpouštědla. Většina plastů je náchylná k poškození různými typy komerčních rozpouštědel. K odstranění nečistot, prachu, oleje, maziva atd. použijte čistý hadr.

TIPY PRO NEJLEPŠÍ VÝSLEDKY SEČENÍ (OBR. N)

- Správný úhel žacího nástavce je rovnoběžný se zemí.
 - Netlačte příliš na sekačku. Nechte sekat špičku struny (zejména podél stěn). Sečení s více jak jedním hrotem sníží účinnost sečení a může přetížit motor.
 - Výška sečení je určena vzdáleností žací struny od povrchu trávníku.
 - Tráva vyšší jak 20 cm by měla být sečena postupně odshora směrem dolů po malých částech, aby se zabránilo předčasnému opotřebení struny či zatížení motoru.
 - Pomalou posouvejte sekačkou do a z plochy sečení a udržujte polohu žací hlavy v požadované výšce sečení. Tento pohyb může být buď směrem dopředu a dozadu nebo ze strany na stranu. Nejlepších výsledků dosáhnete sečením kratších dělek.
 - Sečte pouze tehdy, když jsou tráva a plevele suché.
 - Plotové dráty a sloupky mohou způsobit mimořádné opotřebení struny nebo její přetržení. Kamenné a cihlové zdi, obrubníky a dřevo mohou strunu rychle opotřebit.
 - Vyhňte se stromům a keřům. Struna může snadno poškodit kůru stromů, dřevěné lišty, obložení a oplocení.
- Popis dílů obr. N viz níže:

N-1	Nejlepší oblast sečení	N-2	Nebezpečná oblast sečení
-----	------------------------	-----	--------------------------

NASTAVENÍ DÉLKY ŽACÍ STRUNY

Strunová hlava umožňuje obsluhu více vysunutou žací strunu bez zastavení motoru. Když se struna roztřepí nebo rozeřeďe, lze během práce se sekačkou vysunout další část struny lehkým poklepáním držáku cívky o zem (obr. O).

POZNÁMKA: Vysouvání struny se stává obtížnějším se zkracováním žací struny.

UPOZORNĚNÍ: Nevýjímte ani neupravujte sestavu vyžínacího kotouče. Nadměrná délka struny způsobí přehřátí motoru, což může vést k vážnému úrazu.

VÝMĚNA STRUNY

POZNÁMKA: Vždy používejte doporučenou nylonovou žací strunu o průměru nepřesahujícím 2,4 mm. Použitím jiné než specifikované struny může dojít k přehřátí nebo poškození strunové sekačky.

⚠ UPOZORNĚNÍ: Nikdy nepoužívejte kovem vyztužené struny, dráty, šňůry atd. Mohou se odlomit a stát nebezpečnými projektily.

Strunová sekačka je vybavena pokročilým systémem automatického navijení. Žací strunu lze navinout na cívku jednoduše stisknutím jediného tlačítka. Navijení celé

cívky je obvykle dokončeno za 12 vteřin. Vyhněte se často opakovanému provozu systému navijení, aby se snížila možnost poškození motoru.

1. Vyměňte akumulátor.
2. Odstraňte zbývající strunu, pokud je to nutné. Jednoduše ji ručně vytáhněte.
3. Ustříhnete jeden kus žací struny v délce 4 metry. Strunu vložte do očka (obr. P) a posouvejte ji tak dlouho, dokud se její konec neobjeví v protilehlém očku.

Popis dílů obr. P viz níže:

P-1	Řezací struna	P-3	Očko
P-2	Spodní kryt		

4. Vyměňte akumulátor, pokud byl v předchozím kroku na strunovou sekačku namontován.
5. Tahejte strunu z druhé strany, dokud se na obou stranách žací hlavy neobjeví stejná délka struny (obr. Q).
6. Namontujte akumulátor do strunové sekačky. Stiskněte a podržte tlačítko navijení, čímž spustíte motor navijení struny. Struna bude průběžně navijena do strunové hlavy (obr. R).
7. Pečlivě pozorujte zbývající délku struny. Připravte se k uvolnění tlačítka, jakmile bude na každé straně zbývat přibližně 18 cm struny. Krátkým stisknutím tlačítka pro navijení struny upravujte délku, dokud na každé straně nebude 14 cm struny.
8. Zatlačte na strunovou hlavu při současném vytahování strun, abyste ručně vysunuli strunu a zkontrolovali tak její správné navinutí.

POZNÁMKA: V případě, že je struna omylem natažena do strunové hlavy, otevřete hlavu a vytáhněte strunu z cívky. Postupujte podle pokynů v této příručce k opětovnému navinutí struny „OPĚTOVNĚ NAVINUTÍ ŽACÍ STRUNY“.

OPĚTOVNĚ NAVINUTÍ ŽACÍ STRUNY

Když se žací struna utrhne ve výstupu struny nebo není žací struna uvolněna, když se klepne na strunovou hlavu, postupujte podle následujících kroků, abyste odstranili zbývající žací strunu a opětovně ji navinuli:

1. Stiskněte dvě uvolňovací západky na strunové hlavě a demontujte ji tahem směrem ven (obr. S-1 a S-2).
2. Demontujte žací strunu ze strunové hlavy a vložte pružinu do drážky v sestavě spodního krytu (obr. T).
3. Jednou rukou přidržujte sekačku a druhou ruku použijte k uchopení sestavy spodního krytu a vyrovnejte drážky v sestavě spodního krytu s uvolňovacími západkami. Zatlačte na sestavu spodního krytu, dokud nezapadne na místo (uslyšíte zřetelné cvaknutí) (obr. U).
4. Postupujte podle pokynů v části „VÝMĚNA STRUNY“ pro natáhnutí nové struny.

Popis dílů obr. S1 a T a U viz níže:

S1-1	Sestava spodního krytu	U-1	Uvolňovací západka
S1-2	Uvolňovací západka	U-2	Drážka
T-1	Pružina		

VÝMĚNA STRUNOVÉ HLAVY

⚠ VAROVÁNÍ: Pokud se hlava uvolní po upevnění v dané pozici, okamžitě ji vyměňte. Nikdy nepoužívejte sekačku s uvolněným žacím nástavcem. Prasklou, poškozenou nebo opotřebenou strunovou hlavu okamžitě vyměňte, i kdyby se jednalo pouze o povrchové praskliny. Tyto nástavce se mohou roztržít ve vysoké rychlosti a způsobit vážné zranění.

Demontáž strunové hlavy

1. Vyměňte akumulátor ze strunové sekačky.
2. Stiskněte uvolňovací západky na strunové hlavě a demontujte sestavu spodního krytu strunové hlavy tahem směrem ven (obr. S1 a S2).
3. Demontujte žací strunu ze strunové hlavy (obr. V).
4. Pokud je to nutné, vyjměte pružinu ze sestavy cívky. Uložte ji pro opětovné sestavení.
5. Používejte rukavice. Pomocí jedné ruky uchopte sestavu cívky a stabilizujte ji a druhou rukou držte rázový klíč, abyste uvolnili matku proti směru hodinových ručiček (obr. W).
6. Z hřídele motoru demontujte matici, podložku, sestavu cívky a horní kryt (obr. X).
7. Pomocí kleští na pojistné kroužky odstraňte pojistný kroužek. Demontujte sestavu větráku (obr. Y).

8. Vyměňte za novou strunovou hlavu a namontujte ji v následujících krocích.

Popis dílů obr. W a X a Y viz níže:

W-1	Rázový klíč	X-4	Matice
X-1	Horní kryt	Y-1	Sestava větráku
X-2	Sestava cívkvy	Y-2	Pojistný kroužek
X-3	Podložka		

Instalace nové strunové hlavy

- Vyrovnajte otvor pro klíč v sestavě větráku s drážkou v hřídeli motoru a namontujte sestavu větráku na své místo (obr. Z).
- V tomto pořadí namontujte pojistný kroužek, horní kryt, sestavu cívkvy a podložku. Pro utažení matice použijte rázový klíč.
- Postupujte podle pokynů uvedených v části „OPĚTOVNĚ NAVINUTÍ ŽACÍ STRUNY“, abyste namontovali sestavu spodního krytu.
- Postupujte podle pokynů v části „VÝMĚNA STRUNY“ pro opětovné natažení žací struny.
- Spusťte sekačku, abyste zjistili, zda bude fungovat normálně. Pokud tomu tak není, znovu ji sestavte podle výše uvedeného popisu.

Popis dílů obr. Z viz níže:

Z-1	Drážka	Z-2	Otvor pro klíč
-----	--------	-----	----------------

ÚDRŽBA

VAROVÁNÍ: Při opravách používejte pouze originální náhradní díly. Pravidelně stroj kontrolujte a udržujte. Z důvodu bezpečnosti by měl všechny opravy provádět kvalifikovaný servisní technik.

VAROVÁNÍ: Akumulátorové nářadí se nemusi zapojovat do elektrické zásuvky, proto jsou vždy v provozním stavu. Aby nedošlo k vážnému úrazu, věnujte zvýšenou pozornost a péči údržbě, servisu, výměně žacího nebo jiného nástavce.

VAROVÁNÍ: Aby nedošlo k vážnému úrazu vyjměte před servisem, čištěním, výměnou nástavců nebo odstraněním materiálu nářadí akumulátor.

ČIŠTĚNÍ NÁŘADÍ

- Nářadí čistěte vlhkým hadrem s neagresivním čisticím prostředkem.

- Na plastové pouzdro nebo rukojeť nepoužívejte žádné silné čisticí prostředky. Mohou být poškozeny některými aromatickými oleji, jako např. borovicovým nebo citronovým a rozpouštědly, jako např. petrolej. Vlhkost může rovněž způsobit riziko úrazu elektrickým proudem. Veškerou vlhkost setřete suchým měkkým hadrem.
- K čištění větracích otvorů od nečistot a překážek na zadní části pouzdra použijte malý kartáč nebo proud vzduchu z malého vysavače.

BROUŠENÍ ŽACÍHO KOTOUČE

VAROVÁNÍ: Při údržbě žacího kotouče vždy chraňte ruce s pomocí pevných rukavic.

- Demontujte žací kotouč z krytu.
- Používejte vhodnou ochranu očí včetně rukavic a dávejte pozor, abyste se neřízli.
- Zabezpečte kotouč ve svěráku.
- Opatrně přepilujte žací hrany kotouče jemným pilníkem nebo brusným kamenem a udržujte původní úhel břitu.
- Kotouč nasadte do krytu a zajistěte jej pomocí šroubů.

SKLADOVÁNÍ NÁŘADÍ

- Pokud strunovou sekačku nepoužíváte, vyjměte z ní akumulátor.
- Nářadí před uskladněním řádně vyčistěte.
- Nářadí skladujte na suchém, dobře větraném, uzamčeném nebo vyvýšeném místě mimo dosah dětí. Nářadí neskladujte v blízkosti hnojiv, benzínu nebo jiných chemických látek.

Ochrana životního prostředí



Elektrické zařízení, nabíječku a baterie/nabíjecí baterie nevhazujte do domovního odpadu!

Podle směrnice Evropského parlamentu a Rady 2012/19/EU se musí odpadní elektrická a elektronická zařízení a podle směrnice 2006/66/ES vadné nebo použité akumulátory/baterie sbírat odděleně.

Pokud se elektrická zařízení likvidují na zavážkách nebo skládkách, mohou do podzemní vody prosáknout nebezpečné látky, dostat se do potravního řetězce a poškodit tak vaše zdraví a zdravotní stav.

ODSTRAŇOVÁNÍ PROBLÉMŮ

PROBLÉM	PŘÍČINA	ŘEŠENÍ
Strunová sekačka se nespustí.	<ul style="list-style-type: none"> ■ K sekačce není připojen akumulátor ■ Bez elektrického kontaktu mezi sekačkou a akumulátorem ■ Akumulátor je vybitý ■ Blokovací tlačítko a spoušť nejsou stisknuté současně. 	<ul style="list-style-type: none"> ■ Nasadte akumulátor na sekačku ■ Vyjměte akumulátor, zkontrolujte póly a znovu jej nainstalujte ■ Nabijte akumulátor ■ Stiskněte blokovací tlačítko, podržte jej a stiskněte spínač pro zapnutí strunové sekačky.
Při sekání se strunová sekačka zastaví	<ul style="list-style-type: none"> ■ Na sekačce není namontovaný kryt, což má za následek příliš dlouhou žací strunu a přetížení motoru ■ Je použita těžká žací struna ■ Hřídel motoru nebo strunová hlava jsou zablokované trávou ■ Motor je přetížen ■ Akumulátor strunové sekačky je příliš horký ■ Akumulátor je odpojený od nářadí ■ Akumulátor je vybitý 	<ul style="list-style-type: none"> ■ Vyjměte ze sekačky akumulátor a namontujte kryt ■ Používejte standardní nylonovou žací strunu s průměrem nejvíce 2,4 mm. ■ Zastavte sekačku, vyjměte akumulátor a odstraňte trávu z hřídele motoru a strunová hlavy ■ Vytáhněte strunovou hlavu z trávy. Motor začne pracovat, jakmile odstraníte zatížení. Při sekání pohybujte strunovou hlavou v sekané trávě tam a zpět, délka pohybu by neměla přesáhnout délku 20cm v jednom tahu ■ Nechejte akumulátor nebo sekačku zchladnout, dokud teplota neklesne pod 67 °C ■ Znovu nainstalujte akumulátor ■ Nabijte akumulátor

PROBLÉM	PŘÍČINA	ŘEŠENÍ
Ze strunové hlavy se nevysouvá struna	<ul style="list-style-type: none"> ■ Hřídel motoru nebo strunová hlava jsou zablokované trávou ■ V držáku cívky není struna v dostatečné délce. ■ Strunová hlava je znečištěná ■ Struna je zamotaná v držáku cívky. ■ Struna je příliš krátká 	<ul style="list-style-type: none"> ■ Zastavte sekačku, vyjměte akumulátor a odstraňte trávu z hřídele motoru a strunové hlavy ■ Vyjměte baterii a vyměňte strunu; dodržujte pokyny uvedené v části „VÝMĚNA STRUNY“ v tomto návodu ■ Vyjměte akumulátor, vyčistěte držák cívky a spodní část cívky. ■ Vyjměte akumulátor, vymotejte strunu z držáku cívky a znovu ji naviňte; dodržujte pokyny uvedené v části „VÝMĚNA STRUNY“ v tomto návodu. ■ Vyjměte akumulátor, zatáhněte za struny a současně stiskněte a uvolněte strunovou hlavu.
Kolem strunové hlavy a pouzdra motoru se namotala tráva	<ul style="list-style-type: none"> ■ Sekání vysoké trávy na úrovni terénu 	<ul style="list-style-type: none"> ■ Vysokou trávu sekejte shora dolů, pokaždé ne více než 20cm, aby nedocházelo k zamotání
Čepel neřeže strunu.	<ul style="list-style-type: none"> ■ Vyžínací kotouč na okraji krytu se ztupil 	<ul style="list-style-type: none"> ■ Nabruste vyžínací kotouč pilníkem nebo jej vyměňte za nový
Praskliny na strunové hlavě nebo uvolněný držák cívky na základně.	<ul style="list-style-type: none"> ■ Strunová hlava je opotřebovaná. 	<ul style="list-style-type: none"> ■ Nechte ihned vyměnit strunovou hlavu kvalifikovaným servisním technikem.
Během výměny struny nelze strunu správně vložit do strunové hlavy.	<ul style="list-style-type: none"> ■ Značky LOAD na strunové hlavě nejsou v souladu s očky na základně cívky. ■ Struna není správně vložena do montážního otvoru v očku. 	<ul style="list-style-type: none"> ■ Otočte držák cívky ve směru šipky, vyrovnejte značky LOAD na držáku cívky s očky na základně cívky. ■ Nejprve srovnejte značky LOAD s očky, potom vložte strunu do montážního otvoru uvnitř oka.

WARRANTY

EGO WARRANTY POLICY

Please visit the website egopowerplus.com for full terms and conditions of the EGO Warranty policy.

PREČÍTAJTE SI VŠETKY POKYNY!



PREČÍTAJTE SI NÁVOD NA OBSLUHU.

⚠ Potenciálne riziká! Ľudia s elektronickými zariadeniami, ako sú napríklad kardiosťimulátory, sa musia pred použitím tohto výrobku poradiť so svojím lekárom. Použitie elektrických zariadení v tesnej blízkosti kardiosťimulátora by mohlo spôsobiť rušenie alebo zlyhanie kardiosťimulátora.

⚠ VAROVANIE: Pre zaistenie bezpečnosti a spoľahlivosti je nevyhnutné, aby všetky opravy a výmeny vykonával len kvalifikovaný servisný technik.

BEZPEČNOSTNÉ SYMBOLY

Účelom bezpečnostných symbolov je upozorniť vás na možné nebezpečenstvá. Venujte príslušnú pozornosť a pochopte bezpečnostné symboly a ich vysvetlenia. Varovné symboly, samy o sebe, nedokážu eliminovať nebezpečenstvo. Pokyny a varovania, ktoré obsahujú, nie sú náhradou za vhodné opatrenia na prevenciu úrazov.

⚠ VAROVANIE: Pred použitím tohto nástroja si prečítajte a pochopte všetky bezpečnostné pokyny v tomto návode na obsluhu, vrátane všetkých bezpečnostných výstražných symbolov, ako sú „**NEBEZPEČENSTVO**“, „**VAROVANIE**“ a „**UPOZORNENIE**“. Nedodržanie nižšie uvedených pokynov môže mať za následok úraz elektrickým prúdom, požiar a / alebo vážne zranenie.

VÝZNAM SYMBOLU

⚠ BEZPEČNOSTNÝ VÝSTRAŽNÝ SYMBOL: Označuje **NEBEZPEČENSTVO**, **VAROVANIE**, alebo **UPOZORNENIE**. Môže byť použitý v spojení s inými symbolmi alebo piktogramami.

BEZPEČNOSTNÉ POKYNY

Táto strana zobrazuje a popisuje bezpečnostné symboly, ktoré sa objavujú na tomto výrobku. Pred pokusom o zostavenie a prevádzkovanie si prečítajte, pochopte a dodržiavajte všetky pokyny na stroji.

	Bezpečnostné upozornenie	Upozorňuje na potenciálne nebezpečenstvo úrazu.
	Prečítajte si návod na obsluhu.	Ak chcete znížiť riziko zranenia, používateľ musí pred použitím tohto výrobku prečítať a pochopiť návod na obsluhu.
	Používajte ochranu zraku.	Pri práci s týmto výrobkom vždy noste ochranné okuliare alebo ochranné okuliare s postrannými krytmi a celotvárový štít.
	Používajte ochranu sluchu.	Vždy používajte ochranu sluchu (špunty do uší alebo slúchadlá), ktoré chránia váš sluch.
	Rezná šírka	Max. rezná šírka strunovej kosačky
	Priemer struny	Priemer nylonovej rezacej struny
	Používajte ochranu hlavy.	Používajte schválenú bezpečnostnú prilbu na ochranu hlavy.
	Používajte ochranné rukavice.	Chráňte si ruky rukavicami pri manipulácii s čepeľou alebo chráničom čepele. Pevné a protišmykové rukavice zlepšujú uchopenie a chránia ruky.
	Používajte ochrannú obuv.	Pri používaní tohto zariadenia nosťte protišmykovú bezpečnostnú obuv.
	Pozor na spätný ráz	Upozomte obsluhu na nebezpečenstvo spätného rázu.
	Odrasť a ostatné osoby v bezpečnej vzdialenosti	Vymrštené objekty sa môžu odrásť a mať za následok zranenie osôb alebo poškodenie majetku. Keď krovínorez používate, udržujte od ostatných osôb a domácich zvierat bezpečnú vzdialenosť.

	Udržiavajte okolostojace osoby v bezpečnej vzdialenosti.	Zabezpečte, aby ostatní ľudia a domáce zvieratá zostali vo vzdialenosti aspoň 15m od strunovej kosačky, keď sa používa.
	Bez okružnej čepele	Neinštalujte okružné rezacie čepele.
	Nevystavujte dažďu.	Nepoužívajte ani nenechávajte vonku na daždi.
	CE	Tento výrobok je v súlade s platnými smernicami ES.
	WEEE	Nepotrebné elektrické výrobky sa nesmú likvidovať spolu s domovým odpadom. Odovzdajte do autorizovaného recyklačného strediska.
	Hlučnosť	Garantovaná hladina akustického výkonu. Emisie hluku do prostredia podľa smernice Európskeho spoločenstva.
V	Volt	Napätie
	Jednosmerný prúd	Typ alebo charakteristika prúdu
n_0	Rýchlosť bez zaťaženia	Rýchlosť otáčania, bez záťaže
min^{-1}	Za minútu	Otáčky za minútu

VŠEOBECNÉ BEZPEČNOSTNÉ UPOZORNENIA PRE ELEKTRICKÉ NÁRADIE

VAROVANIE: Prečítajte si všetky bezpečnostné výstrahy, pokyny, ilustrácie a technické údaje dodané s týmto elektrickým nástrojom. Nedodržanie nižšie uvedených pokynov môže mať za následok úraz elektrickým prúdom, požiar a/alebo vážne zranenie.

Uchovajte všetky varovania a pokyny pre budúce použitie.

Výraz „elektrické náradie“ vo všetkých varovaniach odkazuje na náradie napájané zo siete (káblom) alebo náradie napájané batériou (bez kábla), ktoré ste si zaobstarali.

BEZPEČNOSŤ PRACOVNÉHO PRIESTORU

- **Udržiavajte pracovisko čisté a dobre osvetlené.** Neporiadok a tmavé priestory vedú k úrazom.
- **Nepoužívajte elektrické náradie vo výbušnom prostredí, napríklad v prítomnosti horľavých kvapalín, plynov alebo prachu.** Elektrické náradie vytvára iskry, ktoré môžu zapáliť prach alebo výpary.
- **Pri používaní elektrického náradia udržiavajte deti a okolostojace osoby mimo pracoviska.** Rozptýlenie môže spôsobiť stratu kontroly.

BEZPEČNOSŤ OSÔB

- **Buďte pozorní, sledujte to, čo robíte a používajte zdravý rozum pri práci s elektrickým náradím. Nepoužívajte elektrické náradie, ak ste unavení alebo pod vplyvom drog, alkoholu alebo liekov.** Chvilka nepozornosti pri práci s náradím môže viesť k vážnemu úrazu.
- **Používajte osobné ochranné pomôcky.** Vždy používajte ochranu očí. Ochranné prostriedky ako respirátor, protišmyková bezpečnostná obuv, prilba alebo chrániče sluchu použité za vhodných podmienok znižujú nebezpečenstvo zranenia.
- **Zabráňte náhodnému spusteniu. Pred pripojením k zdroju napájania a/alebo akumulátoru, pri zdvíhaní alebo prenášaní nástroja sa uistite, že prepínač je vo vypnutej polohe.** Prenášanie elektrického náradia s prstom na vypínači alebo aktivácia elektrického náradia, ktorý má zapnutý vypínač môže viesť k úrazu.
- **Pred zapnutím elektrického náradia odstráňte akékoľvek nastavovacie nástroje alebo kľúče. Nástroj alebo kľúč, ktorý zostane pripojený na rotujúci časť stroja, môže spôsobiť zranenie.**
- **Neprečeňte sa. Pri práci vždy dodržujte správny postoj a rovnováhu.** Umožňuje to lepšiu kontrolu elektrického náradia v neočakávaných situáciách.
- **Vhodne sa oblečte. Nenoste šperky alebo voľný odev. Udržujte vlasy, oblečenie a rukavice v dostatočnej vzdialenosti od pohybujúcich sa dielov.** Voľný odev, šperky alebo dlhé vlasy môžu byť zachytené pohybujúcimi sa dielmi.
- **Pokiaľ je náradie vybavené zariadením na zachytávanie prachu a úlomkov materiálu, skontrolujte, či je k náradiu správne pripravené.** Použitie odsávania prachu môže znížiť nebezpečenstvo, ktoré súvisí s prachom.
- **Nedovoľte, aby ste sa po získaní skúseností častým používaním nástrojov stali neobzretnými a ignorovali zásady bezpečnosti.** Nedbalá činnosť môže spôsobiť vážne zranenie za zlomok sekundy.

SK

POUŽITIE ELEKTRICKÉHO NÁRADIA A STAROSTLIVOSŤ

- **Netačte na elektrické náradie. Používajte správne náradie na vašu prácu.** Správne elektrické náradie bude pracovať lepšie a bezpečnejšie pri rýchlosti, na ktorú bolo určené.
- **Nepoužívajte elektrické náradie v prípade, že vypínač nie je možné zapnúť a vypnúť.** Akékoľvek elektrické náradie, ktoré sa nedá ovládať vypínačom je nebezpečné a musí sa opraviť.
- **Uchovávajte nepoužívané elektronáradie mimo dosahu detí a nedovoľte, aby osoby neoboznánené s elektrickým náradím alebo s týmito pokynmi náradie používali.** Elektrické náradie je nebezpečné, ak ho používajú neskusené osoby.
- **Udržujte elektrické náradie a príslušenstvo. Skontrolujte nastavenie pohyblivých častí, poškodenie dielov a akékoľvek ďalšie okolnosti, ktoré môžu mať vplyv na funkciu elektrického náradia. Ak je elektrické náradie poškodené, nechajte ho pred použitím opraviť.** Veľa úrazov je zapríčinených zle udržiavaným náradím.
- **Rezacie nástroje udržiavajte ostré a čisté.** Starostlivo ošetrované rezné nástroje s ostrými čepelmi menej pravdepodobne uviaznu a jednoduchšie sa ovládajú.
- **Používajte elektronáradie, príslušenstvo, násady apod. podľa týchto pokynov a rešpektujte pritom pracovné podmienky a vykonávanú činnosť.** Použitie elektrického náradia na iné ako určené účely môže viesť k nebezpečným situáciám.
- **Udržujte rukoväte a uchopovacie plochy suché, čisté, bez oleja a maziva.** Klzké držadlá a uchopovacie plochy neumožňujú bezpečnú manipuláciu s nástrojom a jeho ovládanie v nečakaných situáciách.
- **Udržujte káble mimo pracovného priestoru nástroja.** Počas práce môžu byť káble skryté z dohľadu a môžu byť náhodne poškodené nástrojom.

POUŽITIE BATÉRIE A STAROSTLIVOSŤ

- **Nabíjajte iba nabíjačkou určenou výrobcom.** Nabíjačka vhodná pre jeden typ akumulátora môže spôsobiť riziko požiaru pri použití s iným akumulátorom.
- **Používajte elektrické náradie iba s výslovne určenými akumulátormi.** Použitie iných akumulátorov môže spôsobiť riziko úrazu a požiaru.
- **Ak sa batériový modul nepoužíva, držte ho mimo iných kovových predmetov, ako sú sponky, mince, kľúče, klince, skrutkovače alebo iné malé kovové predmety, ktoré by mohli navzájom prepojiť kontakty batérie.** Skratovanie kontaktov akumulátora môže spôsobiť popálenie alebo požiar.

- **V nevhodných podmienkach môže kvapalina unikáť z batérie. Zabráňte kontaktu. Pri náhodnom kontakte opláchnite vodou. Pri zasiahnutí očí vyhľadajte lekársku pomoc.** Unikajúca kvapalina z akumulátora môže spôsobiť podráždenie pokožky alebo popálenie.
- **Nepoužívajte akumulátor alebo nástroj, ktorý je poškodený alebo upravený.** Poškodené alebo upravené batérie môžu mať nepredvídateľné chovanie, ktoré môže viesť k požiaru, výbuchu alebo nebezpečenstvu poranenia.
- **Nevystavujte akumulátor ani nástroj ohňu alebo nadmernej teplote.** Pri vystavení ohni alebo teplote nad 100 °C môže dôjsť k výbuchu.
- **Dodržujte všetky pokyny pre nabíjanie a nenabíjajte akumulátor alebo nástroj mimo rozsah teplôt uvedených v pokynoch.** Nesprávne nabíjanie alebo nabíjanie pri teplotách mimo stanovený rozsah môže poškodiť akumulátor a zvýšiť riziko požiaru.

OPRAVA

- **Nechajte vaše elektrické náradie opraviť kvalifikovanou osobou s použitím iba identických náhradných dielov.** Tým sa zabezpečí, že bezpečnosť stroja zostane zachovaná.
- **Nikdy neopravujte poškodené akumulátory.** Servis akumulátorov smie robiť iba výrobca alebo autorizovaní poskytovatelia služieb.

VAROVANIE: Prečítajte si všetky bezpečnostné výstrahy, pokyny, ilustrácie a technické údaje dodané s týmto elektrickým nástrojom. Nedodržanie nižšie uvedených pokynov môže mať za následok úraz elektrickým prúdom, požiar a/alebo vážne zranenie. Všetky varovania a pokyny si ponechajte pre prípadnú potrebu v budúcnosti.

Všetky varovania a pokyny si ponechajte pre prípadnú potrebu v budúcnosti.

ŠKOLENIE

- Pozorne si prečítajte návod. Zoznámte sa s ovládacími prvkami a správnym používaním stroja.
- Nikdy nedovoľte používať zariadenie osobám alebo deťom, ktoré nie sú oboznámené s týmito pokynmi. Miestne predpisy môžu obmedziť vek prevádzkovateľa.
- Majte na pamäti, že prevádzkovateľ alebo používateľ je zodpovedný za nehody alebo riziká, ktoré vzniknú iným osobám alebo za ujmu na ich majetku.

PRÍPRAVA

- Nikdy nepoužívajte stroj za prítomnosti osôb, najmä detí, alebo zvierat v jeho blízkosti.
- Používajte ochranu očí a hrubé topánky po celú dobu používania stroja.
- Vzdialenosť medzi prístrojom a okolostojacími osobami musí byť najmenej 15 m.
- Nikdy nepoužívajte stroj, keď je prevádzkovateľ unavený, chorý alebo pod vplyvom alkoholu či iných drog.

PREVÁDZKA

- Stroj používajte iba za denného svetla alebo pri dobrom umelom osvetlení.
- Nikdy nepoužívajte stroj s poškodenými krytmi alebo štítlami, alebo bez nasadených krytov alebo štítov.
- Motor zapnite až vtedy, keď sú ruky a nohy mimo dosahu rezacích prostriedkov.
- Vždy odpojte strunovú kosačku od napájacieho zdroja (t.j. vyberte akumulátor):
 - vždy, keď necháte stroj bez dozoru;
 - pred odstránením blokovania;
 - pred kontrolou, čistením alebo prácou na stroji.
 - po zasiahnutí cudzím predmetom;
 - vždy, keď stroj začne neobvykle vibrovať.
- Dávajte pozor na poranenia nôh a rúk rezacími prostriedkami.
- Zabezpečte, aby ventilačné otvory boli čisté.

ÚDRŽBA A SKLADOVANIE

- Pred vykonávaním údržby alebo čistením odpojte stroj od napájacieho zdroja (t.j. vyberte akumulátor).
- Používajte len príslušenstvo a náhradné diely odporúčané výrobcom.
- Pravidelne kontrolujte a udržiavajte stroj. Nechajte stroj opraviť len u autorizovaného odborníka.
- Keď stroj nepoužívate, uskladnite ho mimo dosahu detí.

ĎALŠIE BEZPEČNOSTNÉ VAROVANIA

- **Vyhňte sa nebezpečným prostrediam** - Nepoužívajte spotrebič na vlhkom alebo mokrom svahu.
- **Majte chrániče nasadené a vo funkčnom stave.**
- **Udržujte ruky a nohy v bezpečnej vzdialenosti od rezacieho priestoru.**
- **Za účelom zníženia rizika zranenia nikdy nepracujte na rebríku alebo na inom nestabilnom podklade.** Nikdy nedržte rezáciu jednotku nad úrovňou pásu.

- **Počas prevádzky kontrolujte rezáciu jednotku v pravidelných krátkych intervaloch, alebo ihneď, ak vznikne nápadná zmena v charakteristike rezania.**
- **Pre dosiahnutie najlepších výsledkov je potrebné batériu nabíjať na mieste s teplotou vyššou ako 5 °C a nižšou ako 40 °C.** Neskladujte vonku alebo vo vozidlách.
- **Ak sa k vám niekto blíži, ihneď vypnite motor a rezáciu jednotku.**
- **Upozornite obsluhu na nebezpečenstvo spätného rázu čepele (len pre 3-zubovú čepeľ).**
 - K spätnému rázu môže dôjsť pri kontakte otáčajúcej sa čepele s objektom, ktorý nie je okamžite prerezaný.
 - Spätý ráz môže byť dosť silný, aby spôsobil pohyb prístroja a/alebo používateľa v ľubovoľnom smere a môže tiež viesť k strate kontroly nad prístrojom.
 - K spätnému rázu môže dôjsť bez varovania, ak sa čepeľ zadrhne, zastaví alebo zasekne.
 - Spätý ráz je pravdepodobnejší v oblastiach, kde je náročné vidieť rezaný materiál.
- **Nepripojujte žiadnu čepeľ na prístroj bez správnej inštalácie všetkých potrebných dielov.** Ak sa nepoužijú správne diely, môže dôjsť k odleteniu čepele a vážnemu poraneniu obsluhy a/alebo okoloidúcich. Vyhodďte čepele, ktoré sú ohnuté, zdeformované, popraskané, rozbité alebo inak akokoľvek poškodené. Používajte ostré čepele. Tupá čepeľ sa viac pravdepodobne zachytí a vykoná spätý ráz (len pre 3-zubovú čepeľ).
- **Voľnobežná čepeľ/struna môže spôsobiť zranenie, keď sa ďalej otáča potom, čo je motor zastavený alebo spúšť uvoľnená.** Dodržujte náležitú kontrolu, pokiaľ čepeľ/struna celkom nezastaví svoje otáčanie.
- Používajte iba s akumulátormi a nabíjačkami, ktoré sú uvedené na obr. A.
- **Nástroje na batérie nemusia byť zapojené do elektrickej zásuvky; preto sú vždy v prevádzkovom stave.** Buďte si vedomí možných rizík, aj keď sa nástroj nepoužíva. Buďte opatrní pri vykonávaní údržby alebo servisu.
- **Neumývajte s hadicou; zabráňte tomu, aby sa voda dostala do motora a elektrických pripojok.**
- **Ak sa vyskytnú situácie, ktoré nie sú zahrnuté v tomto návode, dávajte pozor a použite zdravý úsudok.** Obráťte sa na zákaznicke servisné stredisko EGO pre pomoc.

ODLOŽTE SI TIETO POKYNY!

SK

TECHNICKÉ ÚDAJE

Napätie	56 V	
Rýchlosť naprázdno	4000-5800 /min	
Rezací mechanizmus	Rezacia hlava	
Typ rezacej struny	2,4 mm nylonová stočená struna	
Rezná šírka	38 cm	
Odporúčaná prevádzková teplota	0°C-40°C	
Odporúčaná skladovacia teplota	-20°C-70°C	
Hmotnosť (bez akumulátora)	3,2 kg	
Hladina akustického výkonu L_{WA}	92,6 dB(A) K=0,8 dB(A)	
Hladina akustického tlaku na na ušiach obsluhy L_{PA}	72,6 dB(A) K=2,5 dB(A)	
Zaručená hladina akustického výkonu L_{WA} (podľa 2000/14/ES)	93 dB(A)	
Vibrácie a_h	Predná pomocná rukoväť	3,5 m/s ² K=1,5 m/s ²
	Zadná rukoväť	2,1 m/s ² K=1,5 m/s ²

- Uvádzaná celková hodnota vibrácií bola meraná v súlade so štandardnou skúšobnou metódou a môže byť použitá na porovnanie jedného zariadenia s iným;
- Uvádzaná celková hodnota vibrácie sa môže použiť aj na predbežný odhad expozície.

POZNÁMKA: Emisia vibrácií pri skutočnom používaní náradia sa môže odlišovať od deklarovanej hodnoty, pri akej sa nástroj používa; Za účelom ochrany obsluhy má používateľ v skutočných podmienkach použitia nosiť rukavice a ochranu sluchu.

OBSAH BALENIA

NÁZOV DIELU	MNOŽSTVO
Strunová kosačka	1
Chránič	1
Predná pomocná zostava rukoväti	1
Ramenný popruh	1
Šesťhranný kľúč	1
Návod na obsluhu	1
Rezacia struna	1

POPIS

SPOZNAJTE VAŠU STRUNOVÚ KOSAČKU (obr. A)

- Zadná rukoväť
- Spínač
- Poistné tlačidlo
- Nastaviteľná predná pomocná rukoväť
- Ramenný popruh
- Hriadel
- Chránič
- Tlačidlo na uvoľnenie batérie
- Západka
- Elektrické kontakty
- Vysunovací mechanizmus
- Hlava kosačky (strunová hlava)
- Tlačidlo pre natiahnutie struny
- Rezacia struna
- Uvoľňovacia zarážka
- Strunová čepeľ
- Šesťhranný kľúč

ZOSTAVA

VAROVANIE: Ak akýkoľvek diel chýba, alebo je poškodený, nepoužívajte tento výrobok, kým nie sú vymenené diely. Ak používate tento výrobok s poškodenými alebo chýbajúcimi časťami, môže dôjsť k vážnemu zraneniu.

VAROVANIE: Nepokúšajte sa upravovať tento výrobok alebo vytvoriť príslušenstvo, ktoré nie je odporúčané pre použitie s touto strunovou kosačkou. Každá takáto zmena alebo úprava je zneužitím a môže viesť k nebezpečnému stavu spôsobujúcemu vážne poranenie.

VAROVANIE: Aby sa zabránilo náhodnému spusteniu, ktoré by mohlo viesť k vážnemu zraneniu, vždy vyberte akumulátor z nástroja pri montáži dielov.

MONTÁŽ CHRÁNIČA

VAROVANIE: Pri montáži alebo výmene chrániča vždy používajte rukavice. Dajte si pozor na ostré hrany na chrániči a chráňte si ruky pred porenáním.

VAROVANIE: Nikdy nepoužívajte náradie bez nasadeného ochranného krytu. Chránič musí byť vždy na nástroji pre ochranu používateľa! Po pripnutí chrániča sa nikdy nepokúšajte odstrániť alebo upraviť chránič. Ak je nutná výmena, nechajte ju vykonať iba oprávneným servisným technikom!

Vyrovnajte dve skrutky, ktoré sú predmontované na ochrannom kryte, do dvoch otvorov pre skrutky na hriadeľi (obr. B) a potom ich dotiahnite dodaným šesťhranným kľúčom (obr. C).

Zabezpečte, aby bol chránič pripevnený podľa obr. B a C. Akékoľvek iné upevnenie spôsobí veľké nebezpečenstvo!

MONTÁŽ A NASTAVENIE PREDNEJ POMOCNEJ RUKOVÄTE

Zatlačte prednú pomocnú rukoväť na hriadeľ (obr. E), založte upínací blok do drážky držadla (obr. F), namontujte zaisťovaciu tyč a svorku, zaistíte ich s krídlovou maticou (obr. G). Poradie je znázornené na obr. D. Nakoniec nastavte polohu prednej pomocnej rukoväte medzi mäkké puzdro a štítok tak, aby vaša predná ruka bola vyrovnaná pri použití kosačky (obr. H) a zaistíte zaisťovaciu tyčou (obr. I).

Popis dielov na obr. D a H si pozrite nižšie:

D-1	Predná pomocná rukoväť	D-4	Krídlová matica
D-2	Zaisťovacia tyč	H-1	Mäkké puzdro
D-3	Upínací blok	H-2	Varovný štítok

POZNÁMKA: Predná pomocná rukoväť má byť otočená nahor, aby smerovala k hornej časti zadnej rukoväte.

VAROVANIE: Prednú pomocnú rukoväť upevňujte len medzi mäkkým puzdrom a štítkom na hriadeľi.

VAROVANIE: Tento nástroj nie je možné používať bez bezpečne upevnenej prednej pomocnej rukoväte.

PRIPEVNENIE RAMENNÉHO POPRUHU

1. Uvoľnite a odstráňte skrutku v háčiku popruhu (obr. J1 a J2).
2. Pripojte háčik na hriadeľ, ako je znázornené na obr. J3 a zaistíte ho skrutkou (obr. J4).

VAROVANIE: Háčik popruhu pripievte len medzi kryt a mäkké puzdro na hriadeľi.

OBSLUHA

VAROVANIE: Nedovoľte, aby ste sa po zoznamení s týmto výrobkom stali neopatrnými. Zapamätajte si, že zloмок sekundy neopatrnosti postačuje na spôsobenie vážneho poranenia.

VAROVANIE: Pri práci s náradím vždy noste ochranné okuliare alebo bezpečnostné okuliare s bočnými ochrannými štípmi a chráničmi sluchu. Ak tak neurobíte, môže dôjsť k vymršteniu predmetov do očí a k ďalším možným vážnym zraneniam.

VAROVANIE: Nepoužívajte žiadne prídavné zariadenia alebo príslušenstvo, ktoré nie sú odporúčané výrobcom tohto výrobku. Používanie prídavných zariadení alebo príslušenstva, ktoré nie sú odporúčané, môže viesť k vážnemu zraneniu.

VAROVANIE: Aby nedošlo k vážnemu zraneniu, tak pred vykonávaním údržby, čistením, výmenou príslušenstva alebo odstraňovaním materiálu z prístroja vyberte akumulátor z náradia.

Tento výrobok môžete použiť na nižšie uvedené účely:

Kosenie: slúži na odstránenie trávy a buriny pri múroch, plotoch, stromoch a okrajoch.

Rezanie: slúži na kosenie trávy, ktorú je ťažké dosiahnuť za použitia normálnej kosačky.

POZNÁMKA: Nástroj sa musí používať len na predpísané účely. Každé iné použitie, napríklad orezávanie okrajov, sa považuje za prípad zneužitia.

INŠTALÁCIA/ODPOJENIE AKUMULÁTORA

POZNÁMKA: Pre lepšiu rovnováhu pri používaní batérií BA3360/BA4200/BA4200T/BA5600T použite batožinový postroj (BH1000).

Nabite pred prvým použitím.

Inštalácia

Zarovnajte rebrovanie akumulátora s montážnymi drážkami a zatlačte akumulátor dole, kým nebudete počuť „cvaknutie“ (Obr. K2).

Odpojenie

Stlačte tlačidlo pre uvoľnenie batérie a vytiahnite ju von, ako je znázornené na obr. L.

Obr. K1 a K2 s popisom dielov:

K-1	Akumulátor BA3360/BA4200/ BA4200T/ BA5600T	K-4	Západka
K-2	Adaptér	K-5	Montážna drážka pre batériu
K-3	Batožinový postroj		

DRŽANIE STRUNOVEJ KOSAČKY

VAROVANIE: Oblečte sa vhodne pri práci s týmto náradím, aby sa znížilo riziko poranenia. Nenoste šperky alebo voľný odev. Používajte ochranu očí a sluchu. Oblečte si odolné, dlhé nohavice, vysoké topánky a rukavice. Nenoste krátke nohavice, sandále alebo nebudte naboso.

Pred uvedením do prevádzky držte kosačku obomi rukami, jednu ruku na zadnej rukoväti a druhú na prednej pomocnej rukoväti, pričom táto ruka musí byť vyrovnaná (obr. M). Potom si skontrolujte vyvážené postavenie a správnu rezaciu vzdialenosť.

POZNÁMKA: Strunová hlava je rovnobežná so zemou v správnej rezacej vzdialenosti bez toho, aby sa operátor nakláňal.

SPUSTENIE / ZASTAVENIE STRUNOVEJ KOSAČKY

Spustenie

Zatlačte poistné tlačidlo a potom stlačte vypínač. Rôzny prítlak na vypínač znamená premenlivú rýchlosť otáčania rezacej struny. Väčší prítlak, vyššia rýchlosť.

Zastavenie

Uvoľnite poistné tlačidlo a vypínač.

POZNÁMKA: Motor sa spustí len vtedy, keď sú poistné tlačidlo a vypínač naraz stlačené.

VAROVANIE: Počas pracovných prestávok a po ukončení práce vždy vyberte akumulátor zo strunovej kosačky.

POUŽÍVANIE STRUNOVEJ KOSAČKY

VAROVANIE: Aby nedošlo k vážnemu zraneniu, noste okuliare alebo ochranné okuliare po celú dobu používania prístroja. Používajte masku alebo masku proti prachu v prašnom prostredí.

Pred každým použitím vyčistite oblasť, ktorá má byť rezaná. Odstráňte všetky predmety, ako sú kamene, rozbité sklo, klinec, drôty alebo šnúry, ktoré môžu byť vymrštené alebo môžu uviaznuť v stroji. Zabráňte prístupu deťom, prítomným osobám a domácim zvieratám. Všetky deti, prizerajúce sa osoby a zvieratá sa musia zdržiavať vo vzdialenosti najmenej 15 metrov; stále ešte môže existovať riziko vymrštenia predmetov na prizerajúce sa osoby. Okolostojace osoby by mali mať ochranu očí. Ak sa približujú, okamžite zastavte motor a reznú príslušenstvo.

Pred každým použitím skontrolujte, či nie sú poškodené / opotrebované diely

Skontrolujte strunovú hlavu, chránič a prednú pomocnú rukoväť a diely, ktoré sú prasknuté, zdeformované, ohnuté, alebo inak poškodené.

Strunová čepeľ na okraj chrániča sa v priebehu času otupí. Odporúčame, aby ste ju pravidelne prebrúšili pilníkom, alebo ju nahradili za novú čepeľ.

VAROVANIE: Pri montáži chrániča alebo pri opravě čepele vždy používajte rukavice. Dajte si pozor na ostré hrany na chrániči a chráňte si ruky pred porezaním.

Po každom použití vyčistite kosačku.

UPOZORNENIE: Prekážky vo vetracích otvoroch bránia prívodu vzduchu do krytu motora, čoho následkom je prehriatie alebo poškodenie motora.

Používajte iba mydlový roztok a vlhkú handričku na čistenie náradia. Zabráňte preniknutiu akejkoľvek kvapaliny do vnútorných častí náradia; Nikdy neponárajte žiadnu časť náradia do kvapaliny.

- Udržujte vetracie otvory v kryte motora a hriadelí vždy bez nečistôt

VAROVANIE: Nikdy nepoužívajte vodu na čistenie nožnic. Na čistenie plastových dielov nepoužívajte rozpúšťadlá. Väčšina plastov je náchylná na poškodenie z rôznych typov komerčných rozpúšťadiel. Použite čisté handry na odstránenie nečistôt, prachu, oleja, maziva, atď.

TIPY PRE NAJLEPŠIE VÝSLEDKY KOSENIJA (OBR. N)

- Správny uhol rezného nástavca je taký, ktorý je rovnobežný so zemou.
- Netlačte na kosačku. Nechajte samotný koniec struny vykonávať rezanie (najmä pozdĺž stien). Rezanie ďalej od konca struny znižuje efektivitu rezu a môže preťažovať motor.
- Výška rezu je určená vzdialenosťou rezacej struny od povrchu trávnik.
- Tráva nad 20 cm sa má kosiť tak, že sa postupne orezáva zhora nadol s malými prírastkami, aby sa zabránilo predčasnému opotrebovaniu struny alebo ťahaníu motora.
- Pomaly posúvajte kosačku do a mimo oblasti kosenia, pričom udržujte polohu reznej hlavy v požadovanej výške rezu. Tento pohyb môže byť buď dopredu-dozadu, alebo zo strany na stranu. Kosenie kratších dĺžok prináša najlepšie výsledky.
- Koste len vtedy, keď je tráva a burina suchá.
- Drôty a ploty môžu spôsobiť nadmerné opotrebenie alebo roztrhnutie struny. Kamenné a tehlové steny, obrubníky a drevo môžu rýchlo spôsobiť opotrebenie struny.
- Vyhýbajte sa stromom a krikom. Kôra stromov, drevené lišty, obklady a oplotenie môžu byť ľahko poškodené strunou.

Obr. N s popisom dielov:

N-1	Najlepšia oblasť kosenia	N-2	Nebezpečná oblasť kosenia
-----	--------------------------	-----	---------------------------

NASTAVENIE DĹŽKY REZNEJ STRUNY

Strunová hlava umožňuje obsluhu vysunúť rezaciu strunu bez zastavenia motora. Ak sa struna rozstrapká alebo opotrebuje, je možné počas používania kosačky vysunúť ďalšiu strunu ľahkým poklepaním strunového držáka o zem (obr. O).

POZNÁMKA: Uvoľnenie struny sa stáva ťažšie, keď sa struna skraccuje.

VAROVANIE: Neodstraňujte alebo nemeňte zostavu strunovej rezacej čepele. Nadmerná dĺžka struny môže spôsobiť prehriatie motora a môže dôjsť k vážnemu zraneniu.

VÝMENA STRUNY

POZNÁMKA: Vždy používajte odporúčanú nylonovú strunu s priemerom, ktorý nepresahuje 2,4 mm. Použitie inej struny, než je uvedené, môže spôsobiť prehriatie alebo poškodenie strunovej kosačky.

VAROVANIE: Nikdy nepoužívajte kovom vystužené struny, drôty, šnúry atď. Môžu sa odtrhnúť a stať sa nebezpečnými projektilmi.

Strunová kosačka je vybavená pokročilým systémom automatického navijania. Rezacia struna môže byť navinutá na cievku jednoduchým stlačením jediného tlačidla. Natiahnutie celej

cievky môže byť zvyčajne ukončené za 12 sekúnd. Vyhýbajte sa opakovanému používaniu navijacieho systému v rýchlom slede, aby sa znížila možnosť poškodenia motora.

1. Vyberte akumulátor.
2. Odstráňte zvyšnú strunu, ak je to nutné. Jednoducho ju vytiahnite rukou.
3. Odrežte jeden kus rezacej struny s dĺžkou 4 m. Vložte strunu do očka (obr. P) a pretlačajte ju, kým koniec struny nevychy z opačnej strany očka.

Obr. P s popisom dielov:

P-1	Rezacia struna	P-3	Očko
P-2	Spodný kryt		

4. Odpojte akumulátor, ak bol v predchádzajúcom kroku namontovaný na kosačku.
5. Vytiahnite strunu z druhej strany, až kým na oboch stranách strunovej hlavy nebude vyčnievať rovnaká dĺžka (obr. Q).
6. Pripojte akumulátor do strunovej kosačky. Stlačte a podržte tlačidlo pre natiahnutie struny, čím spustíte motor pre naviniutie struny. Struna sa postupne navinie do strunovej hlavy (obr. R).
7. Sledujte pozorne zvyšnú dĺžku struny. Budte pripravení pustiť tlačidlo, len čo na každej strane zostane približne 18 cm struna. Krátko stlačte tlačidlo pre natiahnutie struny a nastavte dĺžku tak, aby na každej strane zostala 14 cm struna.
8. Zatlacte zostavu strunovej hlavy smerom nadol pri ťahaní struny, ak chcete manuálne vytiahnuť strunu a skontrolovať správnu montáž rezacej struny.

POZNÁMKA: V prípade neúmyselného vtiahnutia struny do strunovej hlavy otvorte hlavu a vytiahnite strunu von z cievky. Postupujte podľa pokynov v časti „NATIAHNUTIE REZACEJ STRUNY“ v tejto príručke pre natiahnutie novej rezacej struny.

NATIAHNUTIE REZACEJ STRUNY

Keď sa rezacia struna odtrhne na výstupe struny alebo sa rezacia struna nevysunie pri poklepaní na strunovú hlavu, postupujte podľa nasledujúcich krokov pre odstránenie zvyšnej struny a natiahnutie novej.

1. Stlačte dve uvoľňovacie zarážky na strunovej hlave a vytiahnite ju rovno von (obr. S-1 a S-2).
2. Odstráňte rezaciu strunu zo strunovej hlavy a vložte pružinu do otvoru v zostave spodného krytu (obr. T).
3. Jednou rukou pridržiňte kosačku, druhou rukou uchopte zostavu spodného krytu a zarovnajzte drážky v zostave spodného krytu s uvoľňovacími zarážkami. Zatlacite zostavu spodného krytu, kým nezapadne na miesto s počuteľným a zreteľným zvukom kliknutia (obr. U).
4. Postupujte podľa pokynov v časti „VÝMENA STRUNY“ pre natiahnutie novej rezacej struny.

Obr. S1, T a U s popisom dielov:

S1-1	Zostava spodného krytu	U-1	Uvoľňovacia zarážka
S1-2	Uvoľňovacia zarážka	U-2	Drážka
T-1	Pružina		

VÝMENA STRUNOVEJ HLAVY

VAROVANIE: V prípade, že sa hlava po upevnení uvoľní, ihneď ju vymeňte. Nikdy nepoužívajte kosačku s voľným rezacím príslušenstvom. Ihneď vymeňte prasknutú, poškodenú alebo opotrebovanú rezaciu hlavu, aj keď je poškodenie obmedzené na povrchové praskliny. Takéto príslušenstvo sa môže pri vysokej rýchlosti roztrieštiť a spôsobiť vážne zranenie.

ODSTRÁNENIE STRUNOVEJ HLAVY

1. Vyberte akumulátor zo strunovej kosačky.
2. Stlačte uvoľňovacie zarážky na strunovej hlave a demontujte zostavu spodného krytu strunovej hlavy vytiahnutím rovno von (obr. S1 a S2).
3. Odstráňte rezaciu strunu zo strunovej hlavy (obr. V).
4. Ak je to potrebné, vytiahnite strunu zo zostavy cievky. Odložte si ju na opätovnú montáž
5. Používajte rukavice. Pomocou jednej ruky uchopte zostavu cievky, aby ste ju stabilizovali, a druhú ruku použijete na uchopenie nárazového kľúča na uvoľnenie matice proti smeru hodinových ručičiek (obr. W).
6. Odmontujte maticu, podložku, zostavu cievky a horný kryt z hriadeľa motora (obr. X).
7. Použitím kliešťov na poistné krúžky odstráňte krúžok. Demontujte zostavu ventilátora (obr. Y).

8. Namontujte novú strunovú hlavu nasledujúcimi krokmi.

Obr. W, X a Y s popisom dielov:

W-1	Nárazový kľúč	X-4	Matica
X-1	Horný kryt	Y-1	Zostava ventilátora
X-2	Zostava cievky	Y-2	Poistný krúžok
X-3	Podložka		

Inštalácia novej strunovej hlavy

1. Zarovnajete perovú drážku v zostave ventilátora s klinovou drážkou v hriadeľi motora a namontujete zostavu ventilátora na miesto (obr. Z).
2. Namontujete poistný krúžok, horný kryt, zostavu cievky a podložku v tomto poradí. Pomocou nárazového kľúča dotiahnete maticu.
3. Postupujte podľa pokynov v časti „**NATIAHNUTIE REZACEJ STRUNY**“ v tomto návode pre montáž zostavy spodného krytu.
4. Postupujte podľa pokynov v časti „**VÝMENA STRUNY**“ v tomto návode pre natiiahnutie novej rezacej struny.
5. Spustíte nástroj, aby ste zistili, či strunová kosačka funguje normálne. Ak sa tak nestane, znova ju zostavte, ako je to popísané vyššie.

Obr. Z s popisom dielov:

Z-1	Klinová drážka		Perová drážka
-----	----------------	--	---------------

ÚDRŽBA

VAROVANIE: Pri servise používajte iba identické náhradné diely. Pravidelne kontrolujte a udržiavajte stroj. Pre zaistenie bezpečnosti a spoľahlivosti je nevyhnutné, aby všetky opravy vykonával len kvalifikovaný servisný technik.

VAROVANIE: Nástroje na batérie nemusia byť zapojené do elektrickej zásuvky; preto sú vždy v prevádzkovom stave. Aby nedošlo k vážnemu zraneniu, prijmite osobitné opatrenia a pozornosť pri vykonávaní údržby, opravy alebo výmene rezacieho alebo iného príslušenstva.

VAROVANIE: Aby nedošlo k vážnemu zraneniu, tak pred vykonávaním údržby, čistením, výmenou príslušenstva alebo odstraňovaním materiálu z prístroja vyberte akumulátor z náradia

ČISTENIE PRÍSTROJA

- Výrobok čistite vlhkou handričkou a jemným saponátom.

- Nepoužívajte žiadne silné čistiace prostriedky na plastovom kryte alebo rukoväti. Môžu byť poškodené určitými aromatickými olejmi, ako je borovica a citrón, a rozpúšťadlami, ako je petrolej. Vlhkosť môže tiež spôsobiť nebezpečenstvo úrazu elektrickým prúdom. Akúkoľvek vlhkosť poutierajte mäkkou a suchou handrou.

- Použite malú kefu alebo vzduch z malého vysávača s kefkou na vyčistenie vetracích otvorov od nečistôt na zadnom kryte.

NAOSTRENIE REZACEJ ČEPELE

VAROVANIE: Vždy si chráňte ruky pomocou odolných rukavíc pri vykonávaní akejkoľvek údržby na rezacej čepeľi.

1. Demontujte rezáciu čepeľ z ochranného krytu.
2. Noste vhodnú ochranu očí a rukavice a dávajte pozor, aby ste sa neporezali.
3. Zaisťujete čepeľ do zveráka.
4. Opatrne pilujete reznú hranu čepele s jemným pilníkom alebo brúsny kameňom, pričom zachovajte pôvodný uhol naostrenia.
5. Namontujte čepeľ späť na ochranný kryt a zaisťujete ju pomocou dvoch skrutiek.

USKLADNENIE PRÍSTROJA

- Vyberte akumulátor zo strunovej kosačky, keď ju už nepoužívate.
- Pred uložením prístroj dôkladne vyčistite.
- Prístroj skladujte na suchom a dobre vetranom uzamknutom alebo vyvýšenom mieste mimo dosahu detí. Prístroj neskladujte v blízkosti hnojív, benzínu alebo iných chemikálií.

Ochrana životného prostredia



Nevyhadzujte elektrické zariadenia, nabíjačku batérií a batérie / akumulátory do domového odpadu!

Podľa európskej smernice 2012/19/EU elektrické a elektronické zariadenia, ktoré už nie sú použiteľné a podľa európskej smernice 2006/66/EC chybné alebo použité akumulátory / batérie sa musia zhromažďovať oddelene.

Ak sú elektrické spotrebiče likvidované na neorganizovaných skládkach alebo smetiskách, môžu nebezpečné látky unikáť do podzemných vôd, dostať sa do potravinového reťazca a poškodzovať zdravie.

ODSTRANOVANIE PROBLÉMOV

PROBLÉM	PRÍČINA	RIEŠENIE
Strunová kosačka sa nespustí.	<ul style="list-style-type: none"> ■ Akumulátor nie je pripojený do strunovej kosačky. ■ Žiadny elektrický kontakt medzi kosačkou a batériou. ■ Poistné tlačidlo a vypínač nie sú súčasne stlačené. 	<ul style="list-style-type: none"> ■ Pripojte akumulátor do kosačky. ■ Vyberte batériu, skontrolujte kontakty a nainštalujte akumulátor. ■ Nabite akumulátor. ■ Pre zapnutie strunovej kosačky zatlačte poistné tlačidlo a podržte ho, potom stlačte vypínač.
Strunová kosačka sa zastaví pri kosení.	<ul style="list-style-type: none"> ■ Chránič nie je namontovaný na kosačke, čo spôsobuje príliš dlhý rez a preťaženie motora. ■ Je použitá príliš ťažká struna. ■ Tráva sa namotala na hriadeľ motora alebo hlavu kosačky. ■ Motor je preťažený. ■ Akumulátor alebo strunová kosačka sú príliš horúce. ■ Akumulátor je odpojený od nástroja. ■ Akumulátor je vybitý. 	<ul style="list-style-type: none"> ■ Vyberte akumulátor a namontujte chránič na kosačku. ■ Používajte odporúčanú štandardnú nylonovú strunu s priemerom najviac 2,4 mm. ■ Zastavte kosačku, vyberte batériu a odstráňte trávu z hriadeľa motora a hlavy kosačky. ■ Vytiahnite hlavu kosačky z trávy. Motor sa rozbehne, keď sa preťaženie odstráni. Pri kosení pohybujte hlavou kosačky dovnútra a von z trávy tak, aby sa pokosila a odstránila najviac 20cm dĺžka v jednom reze. ■ Nechajte akumulátor alebo strunovú kosačku vychladnúť, kým teplota neklesne pod 67 ° C. ■ Znovu vložte akumulátor. ■ Nabite akumulátor.

PROBLÉM	PRÍČINA	RIEŠENIE
Strunová hlava nevysúva strunu.	<ul style="list-style-type: none"> ■ Tráva sa namotala na hriadeľ motora alebo hlavu kosačky. ■ V držiaku cievky nie je dostatok struny. ■ Strunová hlava je znečistená. ■ Struna je zamotaná v držiaku cievky. ■ Struna je príliš krátka. 	<ul style="list-style-type: none"> ■ Zastavte kosačku, vyberte batériu a odstráňte trávu z hriadeľa motora a hlavy kosačky. ■ Vyberte batériu a vymeňte strunu; postupujte podľa časti „VÝMENA STRUNY“ v tomto návode na obsluhu. ■ Vyberte batériu a vyčistíte držiak cievky a základňu cievky. ■ Vyberte batériu, vytiahnite strunu z držiaka struny a znovu naviňte; postupujte podľa časti „VÝMENA STRUNY“ v tomto návode na obsluhu. ■ Vyberte batériu a vytiahnite strunu so súčasným striedavým zatlačením a uvoľnením strunovej hlavy.
Tráva obaľuje hlavu kosačky a kryt motora.	<ul style="list-style-type: none"> ■ Kosenie vysokej trávy na úrovni terénu.. 	<ul style="list-style-type: none"> ■ Koste vysokú trávu od zhora nadol, pri každom prechode odstraňujte najviac 20cm, aby nedošlo k namotaniu.
Čepeľ nereže strunu.	<ul style="list-style-type: none"> ■ Strunová čepeľ na okraji chrániča sa otupila. 	<ul style="list-style-type: none"> ■ Naostrite strunovú čepeľ pilníkom, alebo ju vymeňte za novú čepeľ.
Praskliny na strunovej hlave alebo uvoľnený držiak cievky v základni.	<ul style="list-style-type: none"> ■ Strunová hlava je opotrebovaná. 	<ul style="list-style-type: none"> ■ Nechajte ihneď vymeniť strunovú hlavu kvalifikovaným servisným technikom.
Pri výmene sa struna nedá správne vložiť do strunovej hlavy.	<ul style="list-style-type: none"> ■ Značky LOAD nie sú zarovnané s očkami na základni cievky. ■ Struna nie je správne vložená do montážneho otvoru v očku. 	<ul style="list-style-type: none"> ■ Otočte držiak cievky v smere šípky, vyrovnajte značky LOAD na držiaku cievky s očkami na základni cievky. ■ Najprv vyrovnajte značky LOAD s očkami, potom vložte strunu do montážneho otvoru vnútri očka.

ZÁRUKA

ZÁRUČNÁ POLITIKA EGO

Navštívte webové stránky egopowerplus.com pre úplné podmienky záručnej politiky spoločnosti EGO.

OLVASSA EL AZ ÖSSZES UTASÍTÁST!



OLVASSA EL A HASZNÁLATI ÚTMUTATÓT

⚠ Maradék kockázat! Az elektronikus készülékekkel, például pacemakerrel, élő emberek a termék használata előtt kérjék ki orvos véleményét. Az elektromos felszerelés a szív pacemakerhez közel való működtetése interferenciát vagy meghibásodást okozhat a pacemakerben.

⚠ FIGYELMEZTETÉS: A biztonságosság és megbízhatóság biztosítása érdekében minden javítást szakképzett szerviztechnikus hajtson végre.

BIZTONSÁGI SZIMBÓLUMOK

A biztonsági szimbólumok célja, hogy felhívják a figyelmet az esetleges veszélyekre. Nagyon figyeljen a biztonsági szimbólumokra és magyarázatokra, ill. ezek megértésére. A szimbólumok figyelmeztetésesei önmagukban nem hártják el a veszélyeket. Az utasítások és figyelmeztetések nem helyettesítik a megfelelő balesetmegelőző intézkedéseket.

⚠ FIGYELMEZTETÉS: A szerszám használata előtt feltétlenül olvassa el a jelen használati útmutató minden biztonsági utasítását, a „**VESZÉLY**”, „**FIGYELMEZTETÉS**” és „**FIGYELEM**” biztonsági szimbólumokat is. Az alább felsorolt utasítások be nem tartása áramütést, tűzveszélyt és/vagy súlyos személyi sérülést idézhet elő.

SZIMBÓLUM JELENTÉSE

BIZTONSÁGI SZIMBÓLUM: VESZÉLYT vagy FIGYELMEZTETÉST jelöl. Más szimbólumokkal vagy rajzokkal együtt használható.

BIZTONSÁGI UTASÍTÁSOK

Ezen az oldalon olyan biztonsági szimbólumok láthatók és olvashatók, amelyek megjelenhetnek a terméken. Az összeszerelés vagy működtetés előtt olvassa el, értse meg és tartsa be a gép minden utasítását.

	Biztonsági figyelmeztetés	Potenciális személyi sérülés veszélyét jelzi.
	Olvassa el a használati útmutatót	A sérülések kockázatának csökkentése érdekében a használatnak a termék használata előtt el kell olvasnia, és meg kell értenie a használati útmutatót.
	Viseljen szemvédőt	Mindig viseljen védőszemüveget vagy oldalsó védőlemezrel ellátott védőszemüveget és teljes védőálarcot a termék működtetése közben.
	Viseljen fülvédőt	Mindig viseljen hallásvédőt (füldugót vagy hallásvédőt) a hallása védelme érdekében.
	Vágásszélesség	A fűkasza max. vágásszélessége
	Vezeték átmérője	A nylon vágószál átmérője
	Viseljen fejdődöt	Viseljen hivatalos biztonsági kemény sisakot a feje védelme érdekében.
	Viseljen védőkesztyűt	Védje a kezét kesztyűvel, amikor a pengét vagy pengevédőt kezeli. A nagy teherbírású, csúszásmentes kesztyű segít a fogásban, és védi a kezét.
	Viseljen védő lábbelit.	Viseljen csúszásgátló cipőt, amikor a készüléket használja.
	Ügyeljen a penge lökörejeire	Figyelmeztesse a kezelőt a penge lökörejeire.
	Visszapattanás és tartsa távol a nézelődőket	A visszapattanó tárgyak súlyos személyi sérülést vagy anyagi kárt okozhatnak. Ügyeljen arra, hogy más személyek és a háziállatok távol legyenek a fűkasza használata közben.

	Tartsa távol a nézelődőket	Ügyeljen arra, hogy más személyek és a háziállatok legalább 15 m távolságban legyenek a motoros láncfűrész használata közben.
	Nem kerek penge	Ne szereljen fel kerek vágópengét.
	Ne tegye ki eső hatásának	Ne használja esőben, és hagyja kint, ha esik az eső.
	CE	A termék megfelel az érvényes EK irányelveknek.
	WEEE	Az elhasznált elektromos termékek nem helyezhetők a háztartási hulladék közé. Vigye hivatalos újrahasznosító telephelyre.
	Zaj	Garantált hangteljesítményszint. Környezetre ható zajkibocsátás a Európai Közösség irányelve szerint.
V	Volt	Feszültség
	Egyenáram	Áram típusa vagy jellemzői
n_0	Üresjárat fordulatszám	Forgási sebesség üresjáraton
min ⁻¹	Percenként	Fordulat percenként

kéziszerszámok), valamint az akkumulátorról működtetett elektromos kéziszerszámokra (hálózati vezeték nélküli elektromos kéziszerszámok).

MUNKATERÜLET BIZTONSÁG

- **A munkaterület legyen tiszta és jól megvilágított.** A munkahelyen uralkodó rendtelenségnek vagy a rossz megvilágításnak baleset lehet a következménye.
- **Ne használjon elektromos szerszámokat robbanási veszélynek kitett környezetben, például olyan helyen, ahol éghető folyadékok, gázok vagy porok találhatóak.** Az elektromos kéziszerszámok szikrákat képeznek, amelyek meggyújthatják a porokat vagy gázokat.
- **Tartsa távol a gyermekeket és az illetéktelen személyeket, amikor elektromos kéziszerszámmal dolgozik.** Ha megzavarják, elveszítheti urlalmát a készülék felett.

SZEMÉLYI BIZTONSÁG

- **Legyen figyelmes, ügyeljen arra, amit csinál, és jőzön észsel fogjon a munkához, ha elektromos kéziszerszámot használ. Ne használjon elektromos kéziszerszámot, ha fáradt, kábítószert, alkoholt vagy gyógyszer befolyása alatt áll.** Az elektromos kéziszerszám üzemeltetése közben egy pillanatnyi figyelmetlenség is súlyos személyi sérülést okozhat.
- **Használjon személyi védőfelszerelést. Mindig viseljen védőszemüveget.** A védőfelszerelések, mint például porvédő maszk, csúszásmentes lábbeli, sisak és hallásvédő, rendeltetésszerű használata révén elkerüli a sérülési veszélyeket.
- **Akadályozza meg a véletlen indítást. Ügyeljen arra, hogy a kapcsoló kikapcsolt állásban legyen, mielőtt tápforrásra és/vagy akkumulátoregységre csatlakoztat, felveszi vagy viszi a szerszámot.** Balesetekhez vezethet, ha a hálózatra csatlakoztatott szerszámot úgy viszi, hogy közben az ujjá a bekapcsoló gombon van, vagy ha a hálózati csatlakozódugót olyankor dugja be az aljzatba, amikor be van kapcsolva a szerszám.
- **Vegye ki a szerszámkulcsot és a beállító szerszámot, mielőtt az elektromos kéziszerszámot bekapcsolná.** Az elektromos kéziszerszám mozgó alkatrészén felejtett csavarkulcs vagy szerszám személyi sérülést okozhat.
- **Ne hajoljon a gép fölé. Vegyen fel stabil testhelyzetet, és mindig tartsa meg az egyensúlyát.** Ezáltal jobban tudja irányítani az elektromos kéziszerszámot a legváratlanabb helyzetben is.
- **Viseljen megfelelő ruhát. Ne viseljen laza ruházatot vagy ékszereket. Tartsa távol haját, ruházatát és kesztyűjét a mozgó alkatrészekről.** A laza ruházatot, az ékszert vagy a hosszú haját becsíphetik a mozgó alkatrészek.

AZ ELEKTROMOS SZERSZÁMOKRA VONATKOZÓ ÁLTALÁNOS BIZTONSÁGI FIGYELMEZTETÉSEK

▲ FIGYELMEZTETÉS: Olvassa el az elektromos kéziszerszámhoz mellékelt összes biztonsági figyelmeztetést, utasítást, ábrát és specifikációt. Az alább felsorolt utasítások be nem tartása áramütést, tüzveszélyt és/vagy súlyos sérülést idézhet elő.

Őrizzen meg minden figyelmeztetést és utasítást, hogy később is elő tudja majd venni.

Az „elektromos kéziszerszám” megnevezés a figyelmeztetéseken egyaránt vonatkozik a hálózati feszültségről meghajtott elektromos kéziszerszámokra (hálózati vezetékkel rendelkező elektromos

- Ha az elektromos kéziszerszámot porszivó vagy porfelfogó eszközzel szerelik fel, akkor győződjön meg arról, hogy ezek előírászerűen vannak-e csatlakoztatva, és használja őket a rendeltetésüknek megfelelően. Porgyűjtő használatát csökkentheti a porral járó veszélyeket.
- Ne hagyja, hogy a rendszeres használat során megszerzett tapasztalat miatt önteltté váljon, és emiatt figyelmen kívül hagyja a biztonsági irányelveket. Egy óvatlan cselekedet a másodperc töredéke alatt súlyos sérülést okozhat.

A KÉZI SZERSZÁMGÉP ÜZEMELTETÉSE ÉS GONDOZÁSA

- Ne terhelje túl az elektromos kéziszerszámot. A munkájához használja az arra alkalmas elektromos kéziszerszámot. A megfelelő elektromos kéziszerszámmal jobban és biztonságosabban dolgozhat a megadott teljesítményhatáron belül.
- Ne használja az elektromos kéziszerszámot, ha nem lehet a bekapcsoló segítségével be- vagy kikapcsolni. Az olyan elektromos kéziszerszám, amely nem irányítható a kapcsolóval, veszélyes és javításra szorul.
- A használaton kívüli elektromos kéziszerszámokat gyermekektől távol tartsa, és ne engedje meg, hogy olyan személyek használják az elektromos kéziszerszámot, akik nem ismerik azt, vagy nincsenek tisztában ezekkel a biztonsági utasításokkal. Az elektromos kéziszerszámok veszélyt jelentenek a gyakorlatlan felhasználó kezében.
- Gondosan ápolja az elektromos szerszámot és tartozékait. Ellenőrizze a mozgó részek beállítását és rögzítését, vizsgáljon meg minden részt, nem sérült-e, és ellenőrizze, nem állnak-e fenn olyan körülmények, amelyek befolyásolhatják az elektromos kéziszerszámok helyes kezelését. Használat előtt javíttassa meg a sérült elektromos kéziszerszámot. A rosszul karbantartott elektromos kéziszerszámok sok balesetet okoznak.
- A vágószerszámok legyenek mindig élesek és tiszták. A megfelelően karbantartott és kiélezett vágószélekkel rendelkező vágószerszámok kevésbé hajlamosak az elgörbülésre, valamint könnyebben kezelhetők.
- Az elektromos kéziszerszámot, tartozékot, vágóféléteket, stb. mindig ezen biztonsági utasításoknak megfelelően használja, mindig vegye figyelembe a munkakörülményeket, és legyen tekintettel a megmunkálandó munkadarabra. Az elektromos kéziszerszámoknak az előírt rendeltetési céltól eltérő célra való használata veszélyes.

- Tartsa szárazon, tisztán, olajtól és zsírtól mentesen a fogantyúkat és a tartófelületeket. A csúszós fogantyúk és tartófelületek miatt a szerszám kezelése és vezérése váratlan helyzetekben nem biztonságos.
- Tartsa távol a kábeleket, vezetékeket a szerszám munkaterületétől. Használat közben előfordulhat, hogy a kábelek nem láthatók, és azokat véletlenül megrongálhatja a szerszám.

AZ AKKUMULÁTORRAL MŰKÖDŐ SZERSZÁM ÜZEMELTETÉSE ÉS GONDOZÁSA

- Csak a gyártó által meghatározott töltőt használja. Az olyan töltő, amely egy típusú akkumulátoregységhez alkalmas, tűzveszélyt okozhat, ha más típusú akkumulátoregységhez használja.
- Az elektromos kéziszerszámokat csak speciálisan meghatározott akkumulátoregységekkel használja. Bármely más akkumulátoregység használata sérülés- vagy tűzveszélyt okozhat.
- Amikor nem használja az akkumulátoregységet, tartsa távol más fémtárgyaktól, például gemkapocs, érmék, kulcsok, tűk, csavarok vagy más kis fémtárgyak, amelyek kapcsolatba léphetnek vele. Amennyiben együtt tartja az akkumulátorokat, az égési sérülést vagy tüzet okozhat.
- Nem megfelelő körülmények között folyadék szivároghat az akkumulátorból; ne érjen ehhez. Amennyiben véletlenül hozzáérne, mossa le vízzel. Ha ez a folyadék szembe kerül, kiegészítőleg forduljon orvoshoz. Az akkumulátorból kiszivárgó folyadék irritációt vagy égést okozhat.
- Ne használjon sérült vagy módosított akkumulátoregységet vagy szerszámot. A sérült vagy módosított akkumulátorok előre nem látható viselkedést válthatnak ki, amelynek eredménye tűz vagy sérülésveszély lehet.
- Ne tegye ki az akkumulátoregységet tűznek vagy túlzott hőmérsékletnek. Ha tűznek, vagy 100 °C feletti hőmérsékletnek teszi ki, akkor fellobbanhat.
- Tartsa be a töltési utasításokat, és ne töltse az akkumulátoregységet vagy a szerszámot az utasításokban meghatározott hőmérséklet-tartományon kívül. A nem megfelelő vagy a meghatározott hőmérséklet-tartományon kívüli töltés megrongálhatja az akkumulátort, és növeli a tűzveszélyt.

SZERVIZ

- Az elektromos kéziszerszámot szakképzett személlyel, eredeti cserealkatrész felhasználásával javíttassa meg. Ezzel biztosítja az elektromos kéziszerszám biztonságának fenntartását.

- **Soha ne szervizeljen sérült akkumulátoregységet.** Az akkumulátoregységet csak a gyártó vagy felhatalmazott szerviz szolgáltató szervizelheti.

▲ FIGYELMEZTETES: Olvassa el az elektromos kéziszerszámhoz mellékelt összes biztonsági figyelmeztetést, utasítást, ábrát és specifikációt. Az alább felsorolt utasítások be nem tartása áramütést, tűzveszélyt és/vagy súlyos sérülést idézhet elő. Őrizzen meg minden figyelmeztetést és utasítást, hogy később is elő tudja majd venni.

Őrizzen meg minden figyelmeztetést és utasítást, hogy később is elő tudja majd venni.

GYAKORLÁS

- Körültekintően olvassa el az utasításokat. Ismerje meg a gép szabályozását és helyes használatát.
- Ne engedélyezze a készülék használatát gyermekeknek vagy olyan személyeknek, akik nem ismerkedtek meg az utasításokkal. A helyi rendelkezések korlátozásokat tartalmazhatnak a szerszám működtetőjének életkorára vonatkozóan.
- Ne feledje, hogy a szerszám működtetője a felelős azokért a balesetekért vagy veszélyekért, amelyek más embereket érintenek vagy mások vagyontárgyait érintik.

ELŐKÉSZÜLETEK

- Soha ne működtesse a gépet, ha emberek, különösen gyermekek, vagy kis állatok vannak a közelben.
- A gép működtetése közben mindig viseljen védőszemüveget és vastag talpú cipőt.
- A gép és a nézelődők közötti távolság legalább 15 m legyen.
- Ne működtesse a gépet, ha a gépkezelő fáradt, beteg, illetve ha alkohol vagy kábítószer hatása alatt áll.

MŰKÖDÉS

- Csak nappali világosságnál vagy megfelelő mesterséges megvilágítás mellett használja a terméket.
- Soha ne üzemeltesse a gépet sérült védőelemekkel vagy pajzsokkal vagy a helyükön lévő védőelemek és pajzsok nélkül.
- A motort csak akkor kapcsolja be, ha a kezei és lábai távol vannak a vágóeszközöktől.
- Mindig válassza le a gépet a tápellátásról (azaz vegye le az akkumulátoregységet),
 - ha a gépet felügyelet nélkül hagyja;
 - mielőtt megszüntetné az eltömődést;
 - mielőtt ellenőrzi, tisztítja vagy bármilyen más munkát végez a gépen;
 - ha idegen tárgyba ütközött;
 - ha a termék szokatlan módon elkezd rázkódní.

- Legyen óvatos, nehogy a vágószerszám megsebesítse a kezét vagy lábát.
- Mindig gondoskodjon arról, hogy a szellőzőnyílások hulladéktól mentesek legyenek.

KARBANTARTÁS ÉS TÁROLÁS

- Mindig válassza le a gépet a hálózati aljzatról (pl. távolítsa el az akkumulátoregységet) karbantartás vagy tisztítás előtt.
- Csak a gyártó által javasolt pótalkatrészeket és tartozékokat használja.
- Rendszeresen ellenőrizze a gépet, és végezzen karbantartást. A gép javítását csak felhatalmazott szerelő végezheti el.
- Gyermekek által hozzá nem férhető helyen tárolja a gépet, amikor nem használja azt.

EGYÉB BIZTONSÁGI UTASÍTÁSOK

- **Kerülje a veszélyes környezetet** – ne használja a berendezéseket nedves vagy vizes lejtőn.
- **Tartsa a helyén és működőképesen a védőburkolatot.**
- **A kezét és lábát tartsa távol a vágási területtől.**
- **A sérülések csökkentése érdekében soha ne dolgozzon létrán vagy más nem biztonságos támasztékon. Soha ne tartsa a vágóegységet derékmagasságon felül.**
- **Működés közben ellenőrizze a vágóegységet rendszeresen, rövid időközönként, vagy azonnal, ha látható a vágás láthatóan megváltozik.**
- **A legjobb eredmény elérése érdekében az akkumulátort olyan helyiségben töltsse, ahol a hőmérséklet 5 °C-nál magasabb és 40 °C-nál alacsonyabb.** Ne tárolja kültéren vagy járművekben.
- **Amikor Ön felé közeledik valaki, állítsa le a motort és a vágóegységet.**
- **Figyelmeztesse a kezelőt a penge lököreje (csak 3 fogú pengére szerelhető).**
 - A penge akkor kaphat lökést, ha olyan tárgyba ütközik, amelyet nem tud azonnal elvágni.
 - A penge lökése révén az egység és/vagy a kezelő bármely irányba elfordulhat, és egyensúlyát veszítheti.
 - A penge előzetes jel nélkül is lökőerőt fejthet ki, ha a penge elakad, leáll vagy megakad.
 - A penge nagyobb valószínűséggel fejt ki lökőerőt olyan területeken, ahol nehezen látható a vágandó anyag.
- **Ne csatlakoztasson pengét az egységre, amíg minden szükséges alkatrész megfelelően fel nincs szerelve. Amennyiben nem megfelelő alkatrészeket használ, akkor a penge lerepülhet, és súlyos sérüléseket okozhat a kezelőnek és/vagy nézelődőknek. A behajolt, repedt, törött vagy sérült pengét ártalmatlanítsa. Használjon éles pengét. A tompa penge nagyobb valószínűséggel akad el, és fejt ki lökőerőt (csak 3 fogú pengével való használat).**

- A leálló penge/vágószál sérülést okozhat, miközben még forog, miután a motor leállt, vagy megnyomta a triggeret. Tartsa meg az irányítást, amíg a penge/vágószál teljesen abba nem hagyta a forgást.
- Csak az A.ábrán felsorolt akkumulátoregységeket és töltőket használja.
- Az akkumulátorral működő szerszámokat nem kell hálózati aljzathoz csatlakoztatni; ezért mindig működőképés állapotban vannak. Ügyeljen a lehetséges veszélyekre, akkor is, ha a szerszám nem működik. Legyen óvatos karbantartás és szervizelés közben.
- Ne mossa tömlővel; ne kerüljön víz a motorba és az elektromos csatlakozásokba.
- Amennyiben olyan helyzet adódik, amely nem szerepel a jelen használati útmutatóban, akkor óvatosan és kellő mérlegeléssel cselekedjen. Forduljon az EGO ügyfélszolgálatához segítségért.

ŐRIZZE MEG EZEKET AZ UTASÍTÁSOKAT

MŰSZAKI ADATOK

Voltagj	56 V ---	
Turajtje la mers în gol	4000-5800 /perc	
Vágómechanizmus	Ütköző fej	
Vágószál típusa	2,4mm nylon sodort vágószál	
Vágósszélesség	38 cm	
Javasolt működési hőmérséklet	0°C-40°C	
Javasolt tárolási hőmérséklet	-20°C-70°C	
Súly (akkumulátoregység nélkül)	3,2 kg	
Mért hangteljesítményszint L_{WA}	92,6 dB(A) K=0,8 dB(A)	
Hangnyomás szintje a kezelő L_{PA} fülén	72,6 dB(A) K=2,5 dB(A)	
Garantált hangteljesítményszint L_{WA} (a 2000/14/EK szerint)	93 dB(A)	
Vibráció a_h	Elülső segédfogantyú	3,5 m/s ² K=1,5 m/s ²
	Hátsó fogantyú	2,1 m/s ² K=1,5 m/s ²

- Valoarea totală declarată a vibrațiilor a fost măsurată în conformitate cu o metodă standard de testare și poate fi utilizată pentru compararea sculelor între ele;
- Valoarea totală declarată poate fi utilizată în evaluarea preliminară a expunerii.

OBSERVAȚIE: Vibrațiile emise în timpul utilizării efective a sculei electrice pot diferi față de valoarea celor declarate pentru scula utilizată; Pentru protejarea operatorului, utilizatorul trebuie să poarte mănuși și protecții auditive în timpul utilizării efective a produsului.

CONȚINUTUL AMBALAJULUI

ALKATRĂȘ NEVE	MENNYISÉG
Fúkaszáló	1
Védőburkolat	1
Elülső segédfogantyú összeszerelése	1
Vállszij	1
Imbuszkulcs	1
Manual de instrucțiuni	1
Vágószál	1

DESCRIERE

DESCRIEREA TRIMMERULUI (Fig. A)

1. Hátsó fogantyú
2. Kapcsoló
3. Kikapcsoló gomb
4. Beállítható elülső segédfogantyú
5. Vállszij
6. Tengely
7. Védőburkolat
8. Akkumulátor kioldógomb
9. Zár
10. Elektromos csatlakozások
11. Kioldó mechanizmus
12. Fúkaszáló fej (ütköző fej)
13. Vágószál-adagoló gomb
14. Vágószál
15. Kioldógomb
16. Damilvágó penge
17. Hatszögletű csavarkulcs

ÖSSZESZERELÉS

▲ FIGYELMEZTETÉS: Ha bármely alkatrész sérült vagy hiányzik, akkor ne működtesse a terméket, amíg az alkatrészeket ki nem cserélik. Sérült vagy hiányzó alkatrészekkel való használat súlyos személyes sérülést okozhat.

▲ FIGYELMEZTETÉS: Ne próbálja megváltoztatni a fűkasztát, és ne készítsen hozzá tartozékokat, amelyek nem javasoltak ehhez a láncfűrészhöz. Bármilyen módosítás vagy változtatás helytelen használatnak minősül, és veszélyes feltételeket teremthet, amely súlyos személyi sérüléssel végződhet.

▲ FIGYELMEZTETÉS: A véletlenszerű indítás elkerülése érdekében, amely súlyos személyi sérülést okozhat, mindig vegye ki az akkumulátoregységet a szerszámból, amikor összeszereli az alkatrészeket.

A VÉDŐBURKOLAT ÖSSZESZERELÉSE

▲ FIGYELMEZTETÉS: Mindig viseljen kesztyűt, amikor felszereli vagy kicseréli a védőburkolatot. Legyen óvatos a védőburkolat alatti pengével, és óvja a kezét vágástól.

▲ FIGYELMEZTETÉS: Soha ne működtesse a szerszámot, ha a védőburkolat nincs megfelelően a helyén. A védőburkolatnak mindig a szerszámon kell lennie a használó védelme érdekében! Ha a védőburkolat rögzítve van, akkor soha ne próbálja meg eltávolítani, ha ki kell cserélni, akkor azt szakképzett szerviztechnikus végezze!

Igazítsa egymáshoz a védőburkolatra előzetesen felszerelt két csavart a tengelyen lévő csavarhelyekkel (B ábra), majd húzza meg őket a mellékelt hatszögletű csavarkulccsal (C ábra).

Ellenőrizze, hogy a védőburkolat a B és C ábrának megfelelően rögzítve van-e, a fordított rögzítés nagy veszélyt okozhat!

AZ ELŐLSŐ SEGÉDFOGANTYÚ FELSZERELÉSE ÉS BEÁLLÍTÁSA

Nyomja az első segédfogantyút a tengelyre (E ábra), majd helyezze a rögzítőkapcsot a fogantyú nyílásába (F ábra), szerelje fel a rögzítőcsavart, és zárja le a rögzítőt a szárnyas anyával (G ábra). A sorrend a D ábrán látható. Végül állítsa az első segédfogantyút a karmantyú és a címke közé, hogy az előlő karja egyenes legyen működés közben (H ábra), majd rögzítse a rögzítőcsavar karját (I ábra).

A D és H ábra alkatrészeinek leírását lásd lent:

D-1	Előlső segédfogantyú	D-4	Előlső segédfogantyú
D-2	Rögzítőcsavar	H-1	Karmantyú
D-3	Rögzítőkapocs	H-2	Figyelmeztető címke

MEGJEGYZÉS: Az előlő segédfogantyút felfelé kell fordítani, hogy a hátsó fogantyú teteje felé mutasson.

▲ FIGYELMEZTETÉS: Az előlő segédfogantyút kizárólag a karmantyú és a tengelyen lévő címke közé szerelje fel.

▲ FIGYELMEZTETÉS: A szerszám nem használható a biztonságosan rögzített előlő segédfogantyú nélkül.

A VÁLLSÍJ FELSZERELÉSE

1. Lazítsa meg, és távolítsa el a csavart a síj akasztójából (J1 és J2 ábra).
2. Csatlakoztassa az akasztót a tengelyhez az J3 ábrán látható módon, és rögzítse a csavarral (J4 ábra).

▲ FIGYELMEZTETÉS: Csak a síj akasztóját rögzítse a burkolat és a tengely karmantyúja között.

MŰKÖDTETÉS

▲ FIGYELMEZTETÉS: Ne hagyja, hogy a termékkel szerzett jártassága miatt óvatlanná váljon. Emlékezzon arra, hogy a másodperc töredéke alatt történő óvatlanság súlyos sérülést okozhat.

▲ FIGYELMEZTETÉS: Mindig viseljen védőszemüveget vagy oldalsó védőlemezrel ellátott szemvédőt, illetve hallásvédőt. Amennyiben nem ezt teszi, tárgyak repülhetnek a szemébe, és más komoly sérülések keletkezhetnek.

▲ FIGYELMEZTETÉS: Ne használjon a gyártó által nem javasolt tartozékokat a termékhez. A nem javasolt tartozékok használata súlyos személyes sérülést okozhat.

▲ FIGYELMEZTETÉS: A súlyos személyi sérülések elkerülése érdekében távolítsa el az akkumulátoregységet a szerszámból szervizelés, tisztítás, tartozékok cseréje vagy anyagok szerszámból való eltávolítása közben.

A terméket az alábbi célokra használhatja:

Nyesés: a falak, kerítések, fák és szegélyek tövében lévő fű vágására használja.

Vágás: Olyan fű vágására használja, amelyet a normál fűnyíró nehezen érne el.

MEGJEGYZÉS: A szerszámot csak az előírt célokra használja. Bármilyen más használat, például szélek vágása, helytelen használatnak minősül.

AZ AKKUMULÁTOREGYSÉG BEHELYEZÉSE/ KIVÉTELE

MEGJEGYZÉS: A jobb egyensúly érdekében BA3360/BA4200/BA4200T/BA5600T akkumulátorok használata esetén párosítsa azt a háti hevederrel (BH1000).

Az első használat előtt teljesen töltsse fel.

Csatlakoztatás

Illessze az akkumulátor vázát az akkumulátorban lévő szerelőnyíláshoz, és nyomja le az akkumulátoregységet, amíg kattánást nem hall (K2 ábra).

Kivétel

Oldja ki az akkumulátor kioldógombot, és húzza ki az akkumulátoregységet az L ábrán látható módon.

A K1 és K2 ábra alkatrészeinek leírását lásd lent:

K-1	BA3360/BA4200/ BA4200T/BA5600T akkumulátoregység	K-4	Zár
K-2	Adapter	K-5	Akkumulátor foglalat
K-3	Háti heveder		

FŰKASZA TARTÁSA

FIGYELMEZTETÉS: Megfelelően öltözzön fel a sérülések kockázatának csökkentése érdekében, amikor a szerszámot működteti. Ne viseljen laza ruházatot vagy ékszereket. Viseljen védőszemüveget és fülvédőt; Viseljen erős, hosszú szárú nadrágot, cipőt és kesztyűt. Ne viseljen rövidnadrágot, szandált, és ne járjon mezítláb.

Működtetés előtt tartsa a fűkaszálót két kézzel, az egyik kezével a hátsó fogantyút, a másik kezével az első segédfogantyút fogja egyenesen (M ábra). Majd ügyeljen a kiegyensúlyozott testhelyzetre és megfelelő vágási távolságra.

MEGJEGYZÉS: A fűkasza fej legyen párhuzamos a talajjal megfelelő vágási távolságban, a kezelő ne hajoljon fölé.

A FŰKASZA INDÍTÁSA/LEÁLLÍTÁSA

Indítás

Nyomja meg a kapcsoló gombot, majd oldja ki a triggert. Ha különböző erősséggel nyomja meg a triggert, akkor a fűkasza változó vágási sebességgel működik. Erősebb nyomásnál nagyobb a sebesség.

Leállítás

Oldja ki a kapcsoló gombot és a triggert.

MEGJEGYZÉS: A motor csak akkor működik, ha a kapcsoló gombot és a triggert is megnyomja.

FIGYELMEZTETÉS: Mindig vegye ki az akkumulátoregységet a fűkaszból, ha megszakítja a munkát, és a munka elvégzése után.

SÖVÉNYNÍRÓ TARTÁSA

FIGYELMEZTETÉS: A súlyos személyi sérülések elkerülése érdekében mindig viseljen védőszemüveget az egység működtetésekor. Viseljen arc- vagy porvédő maszkot poros körülmények között.

Minden használat előtt tisztítsa meg a nyírándó területet. Távolítson el minden tárgyat, pl. követ, törött üveget, tüt, vezetékét vagy zsinórt, amely beakadhat a vágóegységbe. A területen ne legyenek gyermekek, nézelődők vagy állatok. Minden nézelődő, gyermek és állat legalább 15 m távolságban legyen; még így fennáll a veszélye, hogy tárgyak repülnek a nézelődők felé. A nézelődők is viseljenek védőszemüveget. Amikor Ön felé közeledik valaki, azonnal állítsa le a motort és a vágóegységet.

A sérült/kopott alkatrészek ellenőrzése minden használat előtt

Ellenőrizze az ütköző fejet, védőburkolatot és első segédfogantyút, és cserélje ki a repedt, behajolt vagy sérült alkatrészeket.

A védőburkolat szélén lévő vágópengé egy idő után tompa lehet. Javasoljuk, hogy időnként élezze meg reszelővel, vagy cserélje ki új pengére.

FIGYELMEZTETÉS: Mindig viseljen kesztyűt, amikor felszereli a védőburkolatot, vagy szervizeli a pengét. Legyen óvatos a védőburkolat alatti pengével, és óvja a kezét vágástól.

Minden használat után tisztítsa meg a fűkaszát.

FIGYELEM: A szellőzőnyílásokban lévő akadályok megakadályozzák, hogy levegő áramoljon a motorházba, így a motor megsérülhet vagy túlmelegedhet.

A szerszám tisztítását csak kímélő szappannal és nedves ruhával végezze. Soha ne hagyja, hogy bármilyen folyadék a szerszámba kerüljön, soha ne merítse vízbe a szerszám egyetlen alkatrészét sem.

- A motorházon és tengelyen lévő szellőzőnyílásokat tartsa szennyeződésektől mentesen

⚠ FIGYELMEZTETÉS: Soha ne használjon vizet a sövénynyíró tisztításhoz. A műanyag alkatrészek tisztításához ne használjon oldószereket. A legtöbb műanyag a vegyi oldószerek által deformálódás által sérülésnek van kitéve. Használjon tiszta ruhát a szennyeződés, por, olaj, zsír stb. eltávolításához.

TIPPEK A LEGJOBB VÁGÁSI EREDMÉNYHEZ (N ÁBRA)

- A vágóegység helyes szögben párhuzamos a talajjal.
- Ne erőltesse a fűkasztát. Csak a vágószál vége végezze a vágást (különösen a falak mentén). Ha a vágószál végénél nagyobb rész végzi a vágást, az ronthat a vágási hatékonyságon és túlterhelheti a motort.
- A vágási magasságot a vágószál és a pázsit felszíne közötti távolság határozza meg.
- A 20 cm-esnél nagyobb fűvet fokozatosan kell levágni fentről lefelé haladva, kis lépésekben, a vágószál idő előtti elhasználódásának és a motor lassulásának elkerülése érdekében.
- Lassan mozgassa a fűkasztát előre-hátra a vágni kívánt területen, a vágófej pozícióját a kívánt vágási magasságban tartva. Ez a mozgás irányulhat előre-hátra vagy egyik oldalról másikra. Rövidebb vágási hosszal érhető el a legjobb eredmény.
- Csak akkor vágja a fűvet, ha száraz.
- A drót- és rönkkerítések nagyobb mértékű vágószál használatát vagy törést okozhatnak. A kö- és téglafalak, járdaszegélyek és fafelületek gyorsan elhasználhatják a vágószálát.
- Kerülje a fákat és sövényeket. A fakérget, fa díszleceket és kerítésoszlopokat könnyen megsértheti a vágószál.

Az N ábra alkatrészeinek leírását lásd lent:

N-1	Legjobb vágási terület	N-2	Veszélyes vágási terület
-----	------------------------	-----	--------------------------

A VÁGÁS HOSSZÁNAK BEÁLLÍTÁSA

A fűkasza fej lehetővé teszi a kezelőnek, hogy a motor leállításánál oldjon ki vágószálát. Ha a szál kopott vagy elhasználódott, akkor kiegészítő szál oldható ki, ha enyhén megnyomja az orsó rögzítőelemét a fűkasza működése közben (O ábra).

MEGJEGYZÉS: A vágószál kioldása egyre nehezebb, ha a vágószál rövidebb lesz.

⚠ FIGYELMEZTETÉS: Ne távolítsa el, és ne változtassa meg a vágóegységet. A felesleges hossz miatt a motor túlmelegszik, amely súlyos sérülést okozhat

VÁGÓSZÁL CSERÉJE

MEGJEGYZÉS: Mindig a javasolt nylon vágószálát használja, amelynek átmérője nem használja meg a 2,4 mm-t. Ha nem ilyet használ, akkor a fűkasza túlmelegedhet, vagy megsérülhet.

⚠ FIGYELMEZTETÉS: Soha ne használjon fémmel merevített szálát, zsinórt, vezetékstb. Ezek eltörhetnek, és veszélyesek lehetnek a szétröppendő részek miatt.

A damilos fűkasza fejett automatikus vágószál-csévélő rendszerrel rendelkezik. A vágószál egyszerűen felcsévélhető az orsóra a különálló gomb megnyomásával. Egy teljes

orsó feltöltése átlagosan 12 másodpercet vesz igénybe. A motor károsodásának elkerülése érdekében kerülje a csévélő rendszer gyors egymásutánban történő használatát.

1. Vegye le az akkumulátoregységet.
2. Vegye le a maradék vágószálát, ha szükséges. Egyszerűen húzza ki kézzel.
3. Vágjon egy darab vágószálát (4 m hosszú). Helyezze a szálát a befűzőlyukba (P ábra) és tolja előre addig, amíg kijön a szemközti befűzőlyukon.

A P ábra alkatrészeinek leírását lásd lent:

P-1	Vágószál	P-3	Befűzőlyuk
P-2	Alsó borítás		

4. Vegye ki az akkumulátort, ha azt az előző lépésben a fűkaszára szerelte.
5. Húzza és a vágószálát a másik oldalról, amíg egyenlő hosszúság nincs az fűkasza fejének két oldalán (Q ábra).
6. Helyezze az akkumulátoregységet a fűkaszára. Nyomja le és tartsa úgy a vágószál-adagoló gombot a vágószál-csévélő motor elindításához. A vágószál folyamatosan csévélődik a fűkasza fejébe (R ábra).
7. Ügyeljen a vágószál fennmaradó hosszára. Készítse elő a gomb kioldását, amikor körülbelül 18 cm marad mindegyik oldalon. Nyomja meg röviden a vágószál-adagoló gombot a hossz beállításához, amíg 14 cm vágószál marad mindegyik oldalon.
8. Nyomja le a fűkasza fejét, miközben húzza a vágószálát, hogy kézzel felemelje, és ellenőrizze a vágószál megfelelő összeszerelését.

MEGJEGYZÉS: Ha a vágószál véletlenül behúzódik a fűkasza fejébe, nyissa ki a fejet és húzza ki a vágószálát az orsóból. A vágószál újratöltéséhez kövesse a kézikönyv „VÁGÓSZÁL ÚJRATÖLTÉSE” című fejezetét.

A VÁGÓSZÁL ÚJRATÖLTÉSE

Ha a vágószál kiszakad a vágószál kimenetből, vagy a vágószál nem oldódik ki, ha a vágófej beakadt, akkor kövesse az alábbi lépéseket a fennmaradó vágószál eltávolításához és a vágószál újratöltéséhez.

1. Nyomja meg a kioldógombot a fúkasza fején, és távolítsa el a fúkasza fejét úgy, hogy kihúzza (S-1 és S-2 ábra).
2. Vegye ki a vágószálat a fúkasza fejből és helyezze a rugót a nyílásba az alsó borítás szerkezeten (T ábra).
3. Miközben egyik kezével tartja a fúkaszat, a másik kezével fogja az alsó borítást és igazítsa egymáshoz a nyílásokat az alsó borításon a kioldógombokkal. Nyomja az alsó borítást, amíg a helyére ugrik, ekkor tisztán hallható a kattanás (U ábra).
4. A vágószál újratöltéséhez kövesse a „VÁGÓSZÁL CSERÉJE” fejezetet.

Az S1, T és U ábra alkatrészeinek leírását lásd lent:

S1-1	Alsó borítás	U-1	Kioldógomb
S1-2	Kioldógomb	U-2	Nyílás
T-1	Rugó		

A FÚKASZA FEJÉNEK CSERÉJE

▲ FIGYELMEZTETÉS: Ha a fej rögzítés után kilazul, azonnal cserélje ki. Soha ne használja a fúkaszat láza vágóegységgel. Azonnal cserélje ki a repedt, sérült vagy kopott vágófejet, akkor is, ha a sérülés csak felületi repedéseket jelent. Az ilyen alkatrészek nagy sebességen darabokra törhetnek és súlyos sérülést okozhatnak.

Távolítsa el a fúkasza fejét

1. Vegye ki az akkumulátoregységet a damilos fúkaszból.
2. Nyomja meg a kioldógombot a fúkasza fején, és távolítsa el az alsó borítást úgy, hogy egyenesen kihúzza (lásd S1 és S2 ábra).
3. Vegye ki a vágószálat a fúkasza fejből (V ábra).
4. Vegye ki a rugót az orsó szerkezetből, ha szükséges. Tartsa meg az újra összeszereléshez.
5. Viseljen védőkesztyűt. Egyik kezével tartsa stabilan az orsót, a másikkal pedig fogjon egy ütőcsavar kulcsot a csavar óramutató járásával ellentétes irányban történő kilazításához (W ábra).
6. Távolítsa el a csavart, az alátétet, az orsó szerkezetet és a felső borítást a motor tengelyéről (X ábra).
7. Használjon zégerfogót a zégergyűrű eltávolításához. Távolítsa el a ventilátor szerkezetet (Y ábra).

8. Cserélje ki egy új fúkasza fejre és szerelje be a következő lépések szerint.

A W, X és Y ábra alkatrészeinek leírását lásd lent:

W-1	Impact Wrench	X-4	Nut
X-1	Upper Cover	Y-1	Fan Assembly
X-2	Spool Assembly	Y-2	Circlip
X-3	Washer		

Szerelje fel az új fúkasza fejét

1. Igazítsa a ventilátor szerkezet kulcslyukát a motor tengelyének hornyába és rögzítse a ventilátor szerkezetet a helyére (Z ábra).
2. Szerelje be a zégergyűrűt, a felső borítást, az orsó szerkezetet és az alátétet, ebben a sorrendben. Használjon ütőcsavar kulcsot a csavaranya megszorításához.
3. A kézikönyv **“VÁGÓSZÁL ÚJRATÖLTÉSE”** című fejezetének utasításait követve szerelje be az alsó borítás szerkezetet.
4. A vágószál újratöltéséhez kövesse a kézikönyv **“VÁGÓSZÁL CSERÉJE”** című fejezetét.
5. Indítsa be az eszközt, hogy lássa, rendben működik-e a damilos fúkasza. Ha nem, szerelje össze ismét a fent leírt módon.

A Z ábra alkatrészeinek leírását lásd lent:

Z-1	Horony	Z-2	Kulcslyuk
-----	--------	-----	-----------

KARBANTARTÁS

▲ FIGYELMEZTETÉS: Javításkor használjon azonos pótalkatrészeket. Más alkatrészek használata veszélyt okozhat, vagy megrongálhatja a terméket. A biztonságosság és megbízhatóság biztosítása érdekében minden javítást szakképzett szerviztechnikus hajtson végre.

▲ FIGYELMEZTETÉS: Az akkumulátorral működő szerszámokat nem kell hálózati aljzathoz csatlakoztatni; ezért mindig működőképes állapotban vannak. A súlyos személyi sérülések elkerülése érdekében legyen rendkívül óvatos, amikor karbantartást, szervizelést végez, vagy kicseréli a vágóegységet vagy más alkatrészeket.

▲ FIGYELMEZTETÉS: A súlyos személyi sérülések elkerülése érdekében távolítsa el az akkumulátoregységet a szerszámból szervizelés, tisztítás, tartozékok cseréje vagy anyagok szerszámból való eltávolítása közben.

AZ EGYSÉG TISZTÍTÁSA

- Nedves törlőruhával és enyhe tisztítószerezrel tisztítsa meg az egységet.

- Ne használjon erős tisztítószereket a műanyag burkolaton vagy a fogantyún. Ezek megsérülhetnek a különböző aromaolajaktól, pl. fenyő vagy citrom, és az olyan oldószerektől, mint a kerozin. A nedvesség szintén áramütés veszélyét okozhatja. A nedvességet egy puha, száraz törővel törölje le.
- Használjon kis kefét vagy kis porszívó kefét a szellőzőnyílásoknak a hátsó burkolaton lévő akadályoktól való megtisztításához.

A DAMILVÁGÓ PENGÉ ÉLÉZÉSE

⚠ FIGYELMEZTETÉS: Mindig védje a kezét védőkesztyűvel, amikor karbantartást végez a damilvágó pengén.

1. Távolítsa el a damilvágó pengét a védőburkolatról.
2. Viseljen megfelelő szemvédőt és kesztyűt és ügyeljen rá, hogy ne vágja meg magát.
3. Rögzítse a pengét satuban.
4. Óvatosan reszelje a penge vágószéleit egy finomfogú reszelővel vagy köszörűkövel, megtartva az eredeti vágási szöveget.
5. Cserélje ki a pengét a védőburkolaton és rögzítse a helyére két csavarral.

A környezet védelme

- Vegye ki az akkumulátoregységet a fűkaszából, amikor nem használja.
- Tárolás előtt alaposan tisztítsa meg a szerszámot.
- Az egységet száraz, jól szellőző, elzárt vagy magas helyen tárolja, ahol gyermekek nem érik el. Ne tárolja az egységet benzín vagy más vegyszerek mellett.

Protecting the environment



Ne dobja az elektromos felszerelést, az akkumulátor töltőt és az akkumulátorokat/újratölthető akkumulátorokat a háztartási hulladékok közé!

Az elektromos és elektronikus berendezések hulladékairól szóló 2012/19/EU európai törvény, amely már nincs érvényben, és az 2006/66/EK európai törvény értelmében a sérült vagy elhasznált akkumulátoregységeket/akkumulátorokat külön kell gyűjteni.

Ha az elektromos berendezéseket talajfeltöltési vagy árokbetömési célokra használják, olyan veszélyes anyagok kerülhetnek belőlük a talajvízbe, majd onnan a táplálkozási láncba, amelyek veszélyeztetik az egészséget.

HIBAEHÁRÍTÁS

PROBLÉMA	A PROBLÉMA OKA	MEGOLDÁS
Fűkaszázó nem indul.	<ul style="list-style-type: none"> ■ Az akkumulátoregység nincs csatlakoztatva a fűkaszához. ■ Nincs elektromos kapcsolat a sövénynyíró és az akkumulátor között. ■ Az akkumulátoregység lemerült. ■ A kapcsoló gomb és a trigger nem egyidejűleg van megnyomva. 	<ul style="list-style-type: none"> ■ Csatlakoztassa az akkumulátoregységet a fűkaszához. ■ Vegye ki az akkumulátoregységet, ellenőrizze a csatlakozást, és helyezze vissza az akkumulátoregységet. ■ Töltse fel az akkumulátoregységet. ■ Nyomja meg és tartsa lenyomva a kapcsoló gombot, majd oldja ki a triggert a fűkasza bekapcsolásához.
A fűkasza vágás közben leáll.	<ul style="list-style-type: none"> ■ A védőburkolat nincs felszerelve a fűkaszára, amely révén a vágószál túl hosszú, és a motor túlterhelt. ■ Használjon nagy teherbírású vágószálat. ■ A motor tengely vagy fűkasza fej beakadt a fűbe. ■ A motor túlterhelt ■ Az akkumulátoregység vagy a fűkasza túl forró. ■ Az akkumulátoregység ki van véve a szerszámból. ■ Az akkumulátoregység lemerült. 	<ul style="list-style-type: none"> ■ Vegye ki az akkumulátoregységet, és szerelje fel a védőburkolatot a fűkaszára. ■ Használja a javasolt nylon vágószálat, legfeljebb 2,4mm átmérővel. ■ Állítsa le a fűkaszt, vegye ki az akkumulátort, és távolítsa el a fűvet a motor tengelyről és fűkasza fejről. ■ Távolítsa el a fűvet a fűkasza fejről. A motor újra működőképes, ha a terhet eltávolítja. Vágás közben a fűkasza fejet oda-vissza mozgassa a vágandó fűvön, és 20 cm-nél hosszabb fűvet ne vágjon egy vágással. ■ Hűtse le az akkumulátoregységet vagy a fűkaszt 67 °C alatti hőmérsékletre. ■ Helyezze vissza az akkumulátoregységet. ■ Töltse fel az akkumulátoregységet.

PROBLÉMA	A PROBLÉMA OKA	MEGOLDÁS
A fűkasza fej nem enged ki a szálát.	<ul style="list-style-type: none"> ■ A motor tengely vagy fűkasza fej beakadt a fűbe. ■ Nincs elég szál az orsó rögzítőelemben. ■ A fűkasza fej piszkos. ■ A szál összegabalyodott az orsó rögzítőelemben. ■ A szál túl rövid. 	<ul style="list-style-type: none"> ■ Állítsa le a fűkaszt, vegye ki az akkumulátort, és távolítsa el a fűvet a motor tengelyről és fűkasza fejről. ■ Vegye ki az akkumulátort, és cserélje ki a vágószálát; kövesse a jelen használati útmutató „VÁGÓSZÁL CSERÉJE” fejezetet. ■ Remove the battery and clean the spool retainer and spool base. ■ Remove the battery, remove the line from the spool retainer and rewind; follow the section “LINE REPLACEMENT” in this manual. ■ Remove the battery and pull the lines while alternately pressing down on and releasing the trimmer head.
Fű tekeredett a fűkasza fejre és motorházra.	<ul style="list-style-type: none"> ■ Magas fűvet talajhoz közel vág. 	<ul style="list-style-type: none"> ■ A magas fűvet felülről vágja, egyszerre 20 cm-nél többet ne vágjon, így elkerüli a feltekeredést.
A penge nem vágja el a szálát.	<ul style="list-style-type: none"> ■ A védőburkolat szélén lévő vágópenge egy tompává vált. 	<ul style="list-style-type: none"> ■ Élezze meg a vágópengét reszelővel, vagy cserélje ki új pengére.
A fűkasza fej vagy orsó rögzítőelem repedése miatt az orsó alap meglazult.	<ul style="list-style-type: none"> ■ A fűkasza fej elhasználódott. 	<ul style="list-style-type: none"> ■ Azonnal cseréltesse ki a fűkasza fejet egy szakképzett szakszerviz szakemberrel.
Csere közben a szálát nem lehet megfelelően a fűkasza fejbe betölteni.	<ul style="list-style-type: none"> ■ Az orsó rögzítőelem BEFŰZŐ szála nem illik az orsó alap fűzőlyukába. ■ A vágószál nem megfelelően van behelyezve a fűzőlyuk rögzítőlyukába. 	<ul style="list-style-type: none"> ■ Forgassa az orsó rögzítőelemét a nyíl irányába, hogy behelyezze a BEFŰZŐ szálát az orsó rögzítőelemébe az orsó alapján lévő fűzőlyukban. ■ Először illessze a BEFŰZŐ szálát a fűzőlyukba, majd helyezze a szálát a fűzőlyuk rögzítőlyukába.

GARANCIA

EGO GARANCIÁLIS FELTÉTELEK

Kérjük, látogasson el az egopowerplus.com oldalra, ahol megtalálja a részletes EGO garanciális feltételeket.

CITIȚI TOATE INSTRUCȚIUNILE!



CITIȚI MANUALUL DE INSTRUCȚIUNI

⚠ Riscuri reziduale! Persoanele cu dispozitive electronice precum stimulatoare cardiace ar trebui să-și consulte medicul (medicii) înainte de a utiliza acest produs. Utilizarea unui echipament electric în imediata apropiere a unui stimulator cardiac poate cauza interferențe sau până la stimularea lui.

⚠ AVERTISMENT: Pentru siguranța și fiabilitatea produsului, toate reparațiile ar trebui efectuate de către un tehnician de service autorizat.

SIMBOLURI PRIVIND SIGURANȚA

Scopul simbolurilor privind siguranța este să vă atragă atenția asupra pericolelor posibile. Simbolurile privind siguranța și explicațiile furnizate cu acestea merită atenția și înțelegerea dumneavoastră. Simbolurile de avertizare, ele singure, nu elimină niciun pericol. Instrucțiunile și avertismentele pe care le oferă nu pot înlocui măsurile corecte de prevenire a accidentelor.

⚠ AVERTISMENT: Asigurați-vă că ați citit și înțelegiți toate instrucțiunile privind siguranța din acest Manual de utilizare, inclusiv toate simbolurile de alertă privind siguranța precum "PERICOL," "AVERTISMENT," și "ATENȚIE" înainte de a utiliza această sculă. Nerespectarea tuturor avertismentelor și instrucțiunilor poate duce la electrocutare, incendiu și/sau răniiri grave.

SEMNIȚAȚIA SIMBOLURILOR

SIMBOL DE AVERTIZARE PRIVIND SIGURANȚA: Indică PERICOL, AVERTISMENT, sau ATENȚIE. Poate fi utilizat împreună cu alte avertismente sau pictograme.

INSTRUCȚIUNI DE SIGURANȚĂ

Această pagină descrie simbolurile de siguranță ce pot apărea pe acest produs. Citiți, înțelegeți, și respectați toate instrucțiunile de pe mașină înainte de asamblare și operare.

	Alertă privind siguranța	Indică un risc posibil de vătămare personală.
	Citiți manualul de instrucțiuni	Pentru a reduce riscul de rănire, utilizatorul trebuie să citească și să înțeleagă manualul de instrucțiuni înainte de a utiliza acest produs.
	Purtați echipament de protecție oculară	Purtați întotdeauna ochelari de protecție sau ochelari de protecție cu apărători laterale și o vizieră facială completă când utilizați acest produs.
	Purtați echipament de protecție auditivă	Întotdeauna purtați protecții auditive (dopuri de urechi sau antifoane) pentru a vă proteja auzul.
	Lățime de tăiere	Lățimea maximă de tăiere a trimmerului cu fir
	Diametrul firului	Diametrul firului de tăiere din nailon
	Purtați echipament de protecție a capului	Purtați o cască de protecție aprobată pentru a vă proteja capul.
	Purtați mănuși de protecție	Protejați-vă mâinile cu mănuși când manevrați lama sau apărătoarea acesteia. Mănușile super rezistente, nealunecoase vă îmbunătățesc aderența și vă protejează mâinile.
	Purtați încălțăminte de protecție	Purtați încălțăminte antiderapantă când utilizați acest echipament.
	Ferți-vă de propulsarea lamei	Avertizați operatorul asupra pericolului propulsiei lamei.

RO

	Ricoșeu și Ținerea la distanță a persoanelor prezente	Obiectele aruncate pot ricoși și cauza vătămări corporale și pagube. Asigurați-vă că terții și animalele de companie se află la distanță de trimmerul pentru tufișuri când acesta este în funcțiune.
	Țineți trecătorii la distanță	Asigurați-vă că terții și animalele de companie se află o distanță de cel puțin 15m de trimmerul cu fir când acesta este în funcțiune.
	Fără lamă rotundă	Nu instalați lame de tăiere rotunde.
	A nu se expune la ploaie	Nu utilizați acest produs în ploaie și nu-l lăsați în exterior în timp ce plouă.
	CE	Acest produs este în conformitate cu directivele europene aplicabile.
	DEEE	Deșeurile produselor electrice nu trebuie să fie eliminate împreună cu deșeurile menajere. Predați-le unui punct de reciclare autorizat.
	Zgomot	Nivelul puterii sunetului garantat. Emisii sonore în mediul înconjurător conform Directivei comunitare europene.
V	Volt	Voltaj
	Curent continuu	Tip sau o caracteristică a curentului
n_0	Turație de mers în gol	Turație de mers în gol
min ⁻¹	Pe minut	Revoluții pe minut

PENTRU SCULE ELECTRICE

⚠️ AVERTISMENT: Citiți toate instrucțiunile, avertismentele de siguranță, ilustrațiile și specificațiile livrate împreună cu această sculă electrică. Nerespectarea tuturor avertismentelor și instrucțiunilor poate duce la electrocutare, incendiu și/sau accidente grave.

Păstrați toate avertizările și instrucțiunile pentru consultare ulterioară.

Termenul „sculă electrică” din avertizări se referă la scula electrică (cu cablu) alimentată de la rețeaua electrică sau scula electrică (fără cablu de alimentare) care funcționează cu acumulator.

SIGURANȚA ZONEI DE LUCRU

- Păstrați zona de lucru curată și bine iluminată. Zonele dezordonate și întunecoase predispun la accidente.
- Nu puneți în funcțiune sculele electrice în atmosfere explozive, cum ar fi în prezența lichidelor, gazelor sau prafurilor inflamabile. Sculele electrice creează scântei, care pot aprinde praful sau gazele.
- Țineți copiii și persoanele prezente la distanță atunci când operați o sculă electrică. Distragerea atenției vă poate face să pierdeți controlul.

SIGURANȚA PERSONALĂ

- **Păstrați-vă vigilența, urmăriți ceea ce faceți și apelați la bunul simț când utilizați o sculă electrică. Nu utilizați o sculă electrică când sunteți obosit, sau sub influența drogurilor, a alcoolului sau a medicației.** Un moment de neatenție în timp ce utilizați sculele electrice se poate solda cu vătămări grave.
- **Utilizați echipamente de protecție personală. Purați întotdeauna echipament de protecție oculară.** Echipamentele de protecție, cum ar fi masca de praf, bocancii de protecție antiderapanți, casca sau antifoaiele utilizate în condiții corespunzătoare, vor reduce vătămările corporale.
- **Preveniți pornirea accidentală. Asigurați-vă că întrerupătorul este în poziția oprit înainte de a conecta la o sursă de alimentare și/sau set de acumulatori, înainte de a ridica sau transporta scula.** Transportul sculelor electrice cu degetul pe întrerupător sau cu alimentarea cu energie electrică pornită, predis pune la accidente.
- **Îndepărtați orice cheie de reglare înainte de a porni scula electrică.** O cheie lăsată într-o piesă rotativă a sculei electrice poate duce la accidente.
- **Nu vă întindeți excesiv. Păstrați-vă stabilitatea și echilibrul în orice moment.** Astfel veți avea un mai bun control asupra sculei electrice în situații neașteptate.
- **Îmbrăcați-vă corespunzător. Nu purtați haine largi sau bijuterii. Păstrați-vă părul, îmbrăcămintea și mânușile departe de componentele în mișcare.** Îmbrăcămintea largă, bijuteriile sau părul lung pot fi prinse de piesele în mișcare.

INSTRUCȚIUNI GENERALE DE SIGURANȚĂ

- Dacă sunt furnizate dispozitive pentru conectarea sistemelor de extragere și colectare a prafului, asigurați-vă că acestea sunt conectate și utilizate corespunzător. Utilizarea dispozitivelor colectoare de praf poate reduce pericolele legate de praf.
- Nu permiteți ca familiaritatea dobândită în urma utilizării frecvente a sculelor să vă facă să neglijați sau să nesocotiți principiile de siguranță ale sculei. O operație neglijentă poate cauza răni grave într-o fracțiune de secundă.

UTILIZAREA ȘI ÎNGRIJIREA SCULELOR ELECTRICE

- Nu forțați scula electrică. Utilizați scula electrică corespunzătoare pentru aplicația dumneavoastră. Scula electrică corectă va face o treabă mai bună și mai sigură utilizată conform specificațiilor pentru care a fost concepută.
- Nu utilizați scula electrică dacă întrerupătorul nu comută pe pozițiile pornit și oprit. Orice sculă electrică ce nu poate fi controlată cu întrerupătorul este periculoasă și trebuie reparată.
- Depozitați sculele electrice într-un loc inaccessibil copiilor și nu permiteți utilizarea sculei electrice de persoane nefamiliarizate cu aceasta sau cu aceste instrucțiuni. Sculele electrice sunt periculoase în mâna utilizatorilor neinstruiți.
- Întrețineți sculele electrice și accesoriile. Verificați dacă există abateri de la coaxialitate sau îndoiri ale pieselor în mișcare, avarii ale pieselor și orice altă situație care poate afecta funcționarea sculelor electrice. În caz de deteriorare, reparați scula electrică înainte de utilizare. Multe accidente sunt cauzate de sculele electrice prost întreținute.
- Mențineți sculele de tăiere ascuțite și curate. Elementele de tăiere întreținute corespunzător și cu muchii de tăiere ascuțite sunt mai puțin probabil să se îndoiească și sunt mai ușor de controlat;
- Utilizați scula electrică, accesoriile și cuțitele demontabile etc. în conformitate cu aceste instrucțiuni, ținând cont de condițiile de lucru și lucrarea de efectuat. Utilizarea sculei electrice pentru operații diferite de cele intenționate s-ar putea solda cu o situație periculoasă.
- Mențineți mânerul și suprafețele de apucare uscate, curate și fără ulei și vaselină. Mânerul și suprafețele de apucare alunecoase nu permit manevrarea în siguranță și controlul asupra sculei în situații neașteptate.
- Țineți cablurile la distanță de zona de lucru a sculei. În timpul funcționării sculei electrice, cablurile electrice pot fi mascate și pot fi tăiate accidental de sculă.

UTILIZAREA ȘI ÎNGRIJIREA ACUMULATORULUI

- Reîncărcați numai cu încărcătorul specificat de producător. Un încărcător adecvat pentru un tip de set de acumulatori poate prezenta risc de incendiu dacă este utilizat cu alt set de acumulatori.

- Utilizați sculele electrice doar cu seturile de acumulatori special menționate. Utilizarea oricărui alt set de acumulatori prezintă risc de accidente și incendii.
- Când setul de acumulatori nu este utilizat, țineți-l departe de alte obiecte metalice precum clemele de hârtie, monedele, cheile, cuiele, șuruburile sau alte obiecte metalice mici care pot realiza o conexiune între borne. Scurtcircuitarea bornelor bateriei poate produce arsuri sau un incendiu.
- În condiții abuzive se poate scurge lichid din acumulator; evitați contactul. Dacă are loc contactul accidental, clătiți cu apă. Dacă lichidul intră în contact cu ochii, efectuați suplimentar un consult medical. Lichidul scurs din acumulator poate produce iritații sau arsuri.
- Nu utilizați un set de acumulatori sau o sculă avariată sau modificată. Acumulatorii avariați sau modificați pot prezenta un comportament neprevizibil ceea ce poate cauza incendii, explozii sau accidente.
- Nu expuneți setul de acumulatori la foc sau la temperaturi excesive. Expunerea acestuia la foc sau la temperaturi ce depășesc 100 °C poate cauza o explozie.
- Respectați instrucțiunile de încărcare și nu încărcăți setul de acumulatori sau scula în afara intervalului de temperatură specificat în instrucțiuni. Încărcarea inadecvată sau la temperaturi situate în afara intervalului specificat pot avaria acumulatorul și spori riscul de incendiu.

OPERAȚIILE DE SERVICE

- Apelați numai la o persoană calificată pentru a vă repara scula electrică utilizând numai piese de schimb identice. Astfel se asigură menținerea nivelului de siguranță al sculei electrice.
- Nu efectuați niciodată operații de service asupra seturilor de acumulatori avariați. Operații de service asupra seturilor de acumulatori trebuie efectuate numai de către fabricant sau de furnizori de service autorizați.

⚠ AVERTIZARE: Citiți toate instrucțiunile, avertizările de siguranță, ilustrațiile și specificațiile livrate împreună cu această sculă electrică. Nerespectarea tuturor instrucțiunilor enumerate mai jos se poate solda cu șoc electric, incendiu și/sau vătămare corporală gravă. Păstrați toate avertizările și instrucțiunile pentru consultare ulterioară.

Păstrați toate avertizările și instrucțiunile pentru consultare ulterioară.

INSTRUIRE

- Citiți cu atenție instrucțiunile. Familiarizați-vă cu comenzile și cu utilizarea corectă a mașinii.

- Nu permiteți niciodată persoanelor nefamiliarizate cu aceste instrucțiuni sau copiilor să utilizeze aparatul. Reglementările locale pot restricționa vârsta operatorului.
- Rețineți că operatorul sau utilizatorul este responsabil de accidentele sau pericolele la care sunt supuse alte persoane sau bunurile acestora.

PREGĂTIRE

- Nu utilizați niciodată mașina în timp ce sunt oameni, mai ales copii, sau animale în apropiere.
- Purtați în permanență echipament de protecție oculară și încălțăminte rezistentă când utilizați mașina.
- Distanța dintre produs și trecători trebuie să fie de cel puțin 15 m.
- Nu utilizați mașina dacă sunteți obosit, bolnav sau sub influența alcoolului sau a medicamentelor.

FUNCȚIONARE

- Utilizați mașina numai pe timp de zi sau în condiții de lumină artificială bună.
- Nu puneți niciodată mașina în funcțiune cu apărătorile sau scuturile deteriorate sau fără apărători ori scuturi montate pe poziție.
- Porniți motorul numai atunci când mâinile și picioarele sunt la distanță de elementele de tăiere.
- Deconectați întotdeauna sursa de alimentare (de ex. îndepărtați setul de acumulatori).
 - de fiecare dată când lăsați mașina nesupravegheată;
 - înainte de eliminarea unui blocaj;
 - înainte de verificarea, curățarea sau orice intervenție adusă mașinii;
 - după lovirea unui obiect străin;
 - ori de câte ori mașina începe să vibreze anormal.
- Aveți grijă să nu vă vătămați picioarele și mâinile de la dispozitivul de tăiere.
- Asigurați-vă întotdeauna că orificiile de ventilație nu sunt blocate de reziduuri.

ÎNȚREȚINERE ȘI DEPOZITARE

- Deconectați mașina de la sursa de alimentare (de ex. îndepărtați setul de acumulatori) înainte de a efectua orice lucrări de întreținere sau curățare.
- Folosiți numai piese de schimb și accesorii recomandate de producător.
- Inspectați și efectuați întreținerea mașinii cu regularitate. Dați mașina la reparat numai unui reparator autorizat.
- Când nu este utilizată, nu lăsați mașina la îndemâna copiilor.

ALTE AVERTIZĂRI SUPLIMENTARE DE SIGURANȚĂ

- **Evitați mediile periculoase** - Nu utilizați aparate electrice pe pante ude sau cu umezeală.
- **Păstrați apărătorile instalate și în stare de funcționare.**
- **Țineți mâinile și picioarele departe de zona de tundere.**
- **Pentru a reduce riscul de rănire, nu lucrați niciodată stând pe o scară sau pe orice alt suport nesigur. Nu țineți niciodată accesoriul de tăiere la înălțime deasupra taliei.**
- **Verificați accesorii de tăiere la intervale scurte regulate în timpul utilizării, sau imediat dacă observați o modificare vizibilă a modului de tăiere.**
- **Pentru rezultate optime, acumulatorul trebuie încărcat într-o locație în care temperatura este mai mare de 5°C și mai mică de 40°C. Nu îl depozitați în exterior sau în vehicule.**
- **Dacă cineva se apropie de dumneavoastră, opriți imediat motorul și accesoriul de tăiere.**
- **Avertizați operatorul asupra pericolului propulsiei lamei (valabil numai pentru produsul echipat cu o lamă cu 3 dinți).**
 - Propulsarea lamei poate avea loc când lama rotativă intră în contact cu un obiect care nu este tăiat imediat.
 - Propulsarea lamei poate să fie suficient de violentă încât să cauzeze propulsarea sculei și/sau a operatorului în orice direcție, și eventual poate cauza pierderea controlului asupra trimmerului.
 - Propulsarea lamei poate avea loc fără avertisment dacă lama întâmpină dificultăți, se blochează sau este prinsă.
 - Propulsarea are șanse mai mari să apară în zone unde materialul ce trebuie tăiat este greu de văzut.
- **Nu instalați lama pe un trimmer fără a instala corect toate piesele necesare. Neutilizarea componentelor adecvate poate cauza proiectarea lamei și rănirea grave a operatorului și/sau a trecătorilor. Eliminați lamele îndoite, exfoliate, crăpate, fisurate sau avariate în vreun fel. Utilizați o lamă ascuțită. O lamă tocită are șanse mai mari să provoace dificultăți și să fie propulsată. (utilizați numai o lamă cu 3 dinți).**
- **O lamă de debitare/fir poate cauza răniri în cazul care continuă să se rotească după oprirea motorului sau eliberarea trăgaciului. Mențineți un control adecvat asupra trimmerului până la oprirea completă a lamei/firului.**

- Utilizați numai seturile de acumulatori și încărcătorii din fig.A.
- **Sculele electrice alimentate cu baterii nu trebuie să fie racordate la o priză electrică, de aceea, acestea sunt întotdeauna în stare de funcționare.** Atenție la eventualele riscuri chiar și când scula nu este în funcțiune. Aveți grijă când efectuați operații de întreținere sau de service.
- **Nu spălați trimmerul cu furtunul de grădină; evitați pătrunderea apei în motor și în conexiunile electrice.**
- **În cazul situațiilor care nu sunt adresate în acest manual, utilizați grijă și raționament. Contactați centrul de service pentru clienți EGO pentru asistență.**

PĂSTRAȚI ACESTE INSTRUCȚIUNI!

SPECIFICAȚII

Voltaaj	56 V ---	
Turație la mers în gol	4000-5800 /min	
Văgόμεchanizmus	Cap cu bobină	
Văgóság típusa	Fir de nailon răsucit de 2,4mm	
Văgásszélesség	38 cm	
Javasolt működési hőmérséklet	0°C-40°C	
Javasolt tárolási hőmérséklet	-20°C-70°C	
Greutate (fără set de acumulatori)	3,2 kg	
Nivel de putere sonoră măsurat L_{WA}	92,6 dB(A) K=0,8 dB(A)	
Nivel de presiune sonoră L_{PA}	72,6 dB(A) K=2,5 dB(A)	
Nivel de putere sonoră garantat L_{WA} (conform 2000/14/CE)	93 dB(A)	
Vibrații a_n	Mâner frontal de operare	3,5 m/s ² K=1,5 m/s ²
	Mâner posterior	2,1 m/s ² K=1,5 m/s ²

- Valoarea totală declarată a vibrațiilor a fost măsurată în conformitate cu o metodă standard de testare și poate fi utilizată pentru compararea sculelor între ele;
- Valoarea totală declarată poate fi utilizată în evaluarea preliminară a expunerii.

- **OBSERVAȚIE:** Vibrațiile emise în timpul utilizării efective a sculei electrice pot diferi față de valoarea celor declarate pentru scula utilizată; Pentru protejarea operatorului, utilizatorul trebuie să poarte mănuși și protecții auditive în timpul utilizării efective a produsului.

CONȚINUTUL AMBALAJULUI

DENUMIRE PIESĂ	CANTITATE
Trimmer cu fir	1
Apărătoare	1
Ansamblu mâner frontal de operare	1
Curea de umăr	1
Cheie hexagonală	1
Manual de instrucțiuni	1
Fir de tăiere	1

DESCRIERE

DESCRIEREA SUFLANTEI (Fig. A)

1. Mâner posterior
2. Trăgaci declanșator
3. Buton de blocare
4. Mâner frontal reglabil de operare
5. Curea de umăr
6. Tijă
7. Apărătoare
8. Buton de detașare acumulator
9. Încuietoare
10. Contacte electrice
11. Mecanism de ejectare
12. Cap trimmer (Cap cu proeminență)
13. Buton de încărcare fir
14. Fir de tăiere
15. Clapă de detașare
16. Lamă de tăiere
17. Cheie hexagonală

ASAMBLAREA

⚠️ AVERTISMENT: În caz de piese avariate sau care lipsesc, nu utilizați acest produs dacă piesele nu sunt înlocuite. Utilizarea acestui produs cu piese avariate sau lipsă poate rezulta în vătămări personale grave.

⚠️ AVERTISMENT: Nu încercați să modificați acest produs sau să creați accesorii nerecomandate pentru acest trimmer cu fir. Orice alterare sau modificare este considerată utilizare greșită și poate duce la condiții periculoase ce pot rezulta în vătămări personale grave.

⚠️ AVERTISMENT: Pentru a preveni pornirea accidentală care ar putea cauza vătămări personale grave, întotdeauna scoateți setul de acumulatori din sculă când asamblați componente.

ATAȘAREA APĂRĂTORII

⚠️ AVERTISMENT: Întotdeauna purtați mănuși când atașați sau înlocuiți apărătoarea. Aveți grijă de lamă de pe apărătoare și protejați-vă mâna împotriva tăieturilor.

⚠️ AVERTISMENT: Nu utilizați niciodată scula fără apărătoarea bine fixată. Apărătoarea trebuie să fie întotdeauna instalată pe sculă pentru a proteja utilizatorul. Când apărătoarea este atașată, nu încercați niciodată să o îndepărtați sau să o ajustați, dacă este nevoie să fie înlocuită, această operație trebuie executată de un tehnician de service autorizat!

Aliniați cele două bolțuri, care sunt preinstalate pe apărătoare, cu orificiile celor două șuruburi de pe tijă (Fig. B), după care strângeți-le cu cheia hexagonală furnizată (Fig. C).

Asigurați-vă că apărătoarea este fixată conform ilustrațiilor din Fig. B & C, orice fixare inversată va cauza un mare pericol!

RO

MONTAREA ȘI REGLAREA MÂNERULUI FRONTAL DE OPERARE

Apăsați mânerul frontal de operare pe tijă (Fig. E), după care introduceți sabotul de prindere în fanta mânerului (Fig. F) și montați tija de blocare, apoi blocați-le cu clema de prindere și piulița fluture (Fig. G). Ordinea este ilustrată în Fig. D. La sfârșit, poziționați mânerul frontal între manșonul moale și etichetă astfel încât brațul frontal să stea drept în timpul utilizării (Fig. H), după care blocați maneta tijeii de blocare (Fig. I).

Fig. D & H pentru descrierea pieselor consultați tabelul de mai jos:

D-1	Mâner frontal reglabil de operare	D-4	Piuliță fluture
D-2	Tijă de blocare	H-1	Manșon moale
D-3	Sabot de prindere	H-2	Etichetă de avertizare

OBSERVAȚIE: Mânerul frontal de operare trebuie rotit în sus pentru a fi îndreptate înspre partea de sus a mânerului posterior.

⚠️ AVERTISMENT: Fixați mânerul frontal de operare numai între manșonul moale și eticheta de pe tijă.

202

⚠️ AVERTISMENT: Scula nu poate fi utilizată fără mânerul frontal de operare bine fixat.

MONTAREA CURELEI DE UMĂR

- Slăbiți și scoateți bolțul din cârligul curelei (Fig. J1 & J2).
- Prindeți cârligul de tijă precum în ilustrația din Fig. J3 și blocați-l cu bolțul (Fig. J4).

⚠️ AVERTISMENT: Prindeți cârligul curelei numai între carcasă și manșonul moale de pe tijă.

FUNCȚIONAREA

⚠️ AVERTISMENT: Nu permiteți ca familiarizarea cu acest produs să vă facă neglijent. Amintiți-vă că o fracțiune de secundă de neglijență este suficientă pentru a provoca vătămări grave.

⚠️ AVERTISMENT: Întotdeauna purtați ochelari de protecție sau ochelari de protecție cu apărători laterale împreună cu protecții auditive. Nerespectarea acestei instrucțiuni ar putea avea ca rezultat proiectarea în ochi a obiectelor și alte posibile vătămări grave.

⚠️ AVERTISMENT: Nu utilizați nicio componentă sau accesoriu care nu a fost recomandat de producătorul acestui produs. Utilizarea de accesorii nerecomandate se poate solda cu vătămări grave.

⚠️ AVERTISMENT: Pentru prevenirea rănilor personale grave, scoateți setul de acumulatori din sculă înainte de a depana, curăța, înlocui accesorii sau de a îndepărta materialul din produs.

Puteți utiliza acest produs în scopurile menționate mai jos:

Curățarea: utilizat pentru îndepărtarea ierbii și a buruienilor urcate pe pereți, garduri, copaci și borduri.

Tăierea: utilizat pentru tăierea ierbii greu de accesat când folosiți o mașină de tuns iarba normală.

OBSERVAȚIE: Scula trebuie utilizată numai în scopul pentru care a fost proiectată. Orice altă utilizare, ca de exemplu tăierea marginilor, este considerată a fi caz de utilizare necorespunzătoare.

ATAȘAREA/DETAȘAREA SETULUI DE ACUMULATORI

OBSERVAȚIE: Pentru un echilibru mai bun, când utilizați acumulatori BA3360/BA4200/BA4200T/BA5600T vă rugăm utilizați împreună cu hamul de spate (BH1000).

Încărcați acumulatorul complet înainte de prima utilizare.

Pentru atașare

Aliniați nervurile de pe acumulator cu fantele de instalare și apăsați în jos setul de acumulatori până la auzul unui clic (Fig. K2).

Pentru detașare

Apăsați butonul de detașare al setului de acumulatori și scoateți setul de acumulatori precum în Fig. L.

Fig. K1 & K2 pentru descrierea pieselor consultați tabelul de mai jos:

K-1	Set de acumulatori BA3360/BA4200/ BA4200T/BA5600T	K-4	Încuietoare
K-2	Adaptor	K-5	Fantă de instalat acumulatorul
K-3	Ham de spate		

APUCAREA TRIMMERULUI CU FIR

AVERTISMENT: Îmbrăcați-vă corespunzător pentru a reduce riscul de rănire când utilizați această sculă. Nu purtați haine largi sau bijuterii. Purtați echipament de protecție/oculări și auditiv/pe pentru urechi. Purtați pantaloni lungi rezistenți, cizme și mănuși. Nu purtați pantaloni scurți, sandale sau să stați desculț.

Înainte de pune trimmerul în funcțiune, apucați-l cu ambele mâini, o mână pe mânerul posterior și alta pe mânerul frontal de operare care trebuie să fie drept (Fig. M). După care asigurați-vă că aveți o poziție echilibrată și stați la o distanță adecvată de tăiere.

OBSERVAȚIE: Capul trimmerului este paralel cu solul la o distanță corectă de tăiere fără ca operatorul să fie nevoit să se aplece.

PORNIREA/OPRIREA TRIMMERULUI CU FIR

Pornirea

Apăsați în jos butonul de blocare, după care apăsați trăgaciul. Gradul de apăsare al trăgaciului influențează viteza de rotire a firului. Cu cât presiunea de apăsare este mai mare, cu atât va fi și viteza mai mare.

Oprirea

Eliberați butonul de blocare și trăgaciul.

OBSERVAȚIE: Motorul funcționează numai când butonul și trăgaciul sunt amândouă apăstate.

AVERTISMENT: Întotdeauna scoateți setul de acumulatori din trimmerul cu fir în timpul pauzelor de lucru și după terminarea lucrării.

UTILIZAREA TRIMMERULUI CU FIR

AVERTISMENT: Pentru evitarea rănilor personale grave, purtați ochelari de protecție în permanență când utilizați acest produs. Purtați mască de față sau mască de praf în locurile cu praf.

Curățați zona de tuns înainte de fiecare utilizare. Îndepărtați toate obiectele, cum ar fi pietre, sticlă spartă, cuie, sărmă sau fire care pot fi aruncate sau se pot încurca în capul de tăiere. Îndepărtați din zonă copiii, trecătorii și animalele de companie. În cel mai rău caz, țineți copiii, trecătorii și animalele la cel puțin 15m distanță; la această distanță încă persistă riscul lovirii trecătorilor cu obiecte proiectate. Trecătorii trebuie încurajați să poarte ochelari de protecție. Dacă cineva se apropie de dumneavoastră, opriți imediat motorul și capul de tăiere.

Înainte de fiecare utilizări, verificați pentru depistarea pieselor uzate/avariate.

Verificați capul cu bobina, apărătoarea și mânerul frontal de operare și înlocuiți piesele care sunt fisurate distorsionate, îndoite sau avariate în vreun fel.

Lama de tăiere a firului de pe muchia apărătorii se poate tocii cu timpul. Se recomandă să o ascuțiți periodic cu o pilă sau să o înlocuiți cu una nouă.

AVERTISMENT: Întotdeauna purtați mănuși când atașați apărătoarea sau când întrețineți lama. Aveți grijă la lama de pe apărătoare și protejați-vă mâna împotriva tăieturilor.

După fiecare utilizare, curățați trimmerul.

ATENȚIE: Obstrucționarea fanțelor de aerisire va împiedica pătrunderea aerului în carcasa motorului și va provoca supraîncălzirea sau avariarea motorului.

Utilizați numai săpun slab și o lavetă umedă pentru a curăța scula. Nu lăsați niciun lichid să pătrundă în interiorul sculei; nu scufundați niciodată vreo parte a sculei în vreun lichid.

- Păstrați în permanență fantele de aerisire din carcasa motorului și tija curate.

⚠️ AVERTISMENT: Nu utilizați niciodată apă pentru curățarea trimmerului. Evitați utilizarea solvenților când curățați piese din plastic. Majoritatea pieselor din plastic sunt susceptibile să se deterioreze de la diverse tipuri de solvenți comerciali. Utilizați cărpe curate pentru a îndepărta murdăria, praful, uleiul, vaselina etc.

SFATURI PENTRU CELE MAI BUNE REZULTATE DE TĂIERE (FIG. N)

- Unghiul corect al accesoriului de tăiere este paralel cu solul.
- Nu forțați trimmerul, permiteți numai vârfului firului să execute tăierea (în special de-a lungul zidurilor). Tăierea cu mai mult decât vârful, va reduce eficiența tăierii și poate duce la suprasolicitarea motorului.
- Înălțimea de tăiere este determinată de distanța dintre firul de tăiere și suprafața peluzei.
- Iarba cu înălțimea de peste 20cm trebuie tăiată în trepte, începând de sus în jos în segmente mici pentru a se evita uzura prematură a firului și solicitarea motorului.
- Încet, deplasați trimmerul înspre și dinspre zona de tăiere, menținând poziția capului de tăiere la înălțimea de tăiere dorită. Această mișcare poate fi efectuată fie înainte-înapoi sau stânga-dreapta. Tăierea unor lungimi mai scurte produce cele mai bune rezultate.
- Tundeți numai când iarba și buruienile sunt uscate.
- Sârmele și stâlpii gardurilor pot uza suplimentar firul sau duce la ruperea acestuia. Zidurile de piatră și de cărămizi, curbele și lemnul pot uza firul rapid.
- Evitați copacii și tufișurile. Coaja de copac, plintele, placajele de pe pereți și stâlpii gardurilor pot fi avariați cu ușurință de fir.

Fig. N pentru descrierea pieselor consultați tabelul de mai jos:

N-1	Cea mai bună zonă de tăiere	N-2	Zonă de tăiere periculoasă
-----	-----------------------------	-----	----------------------------

AJUSTAREA LUNGIMII FIRULUI DE TĂIERE

Capul trimmerului permite utilizatorului să elibereze mai mult fir fără să oprească motorul. Pe măsură ce firul devine fragil sau uzat, fir adițional poate fi eliberat prin lovirea ușoară suportului de bobină de sol în timpul operării trimmerului (Vezi Fig. O).

OBSERVAȚIE: Eliberarea firului devine mai dificilă pe măsură ce firul devine mai scurt.

⚠️ AVERTISMENT: Nu îndepărtați sau modificați ansamblul lamei de tăiere a firului. Lungimea excesivă a firului poate cauza supraîncălzirea motorului și poate duce la răni personale grave.

ÎNLOCUIREA FIRULUI

OBSERVAȚIE: Întotdeauna utilizați firul de tăiere din nailon cu un diametru maxim de 2,4mm. Utilizarea unui fir diferit de cel specificat poate duce la supraîncălzirea trimmerului cu fir sau la avariarea acestuia.

⚠️ AVERTISMENT: Nu utilizați niciodată fir de metal ranforsat, sârmă sau frânghie, etc. Acestea se pot rupe și pot deveni proiectile periculoase.

Trimmerul cu fir este echipat cu un sistem avansat de derulare a firului. Firul de tăiere poate fi înfășurat pe bobină prin simpla apăsare a unui singur buton. Încărcarea unei bobine întregi

poate fi, de obicei, efectuată în 12 secunde. Evitați repetarea operațiunii de înfășurare în succesiuni rapide pentru a reduce riscul de avariere a motorului.

1. Îndepărtarea setului de acumulatori
2. Îndepărtați firul de tăiere rămas, dacă este nevoie. Pur și simplu trageți-l cu mâna.
3. Tăiați o bucată de fir de tăiere cu lungimea de 4m. Introduceți firul în orificiu (Fig. P) și împingeți firul până când celălalt capăt iese prin orificiul opus.

Fig. P pentru descrierea pieselor consultați tabelul de mai jos:

P-1	Fir de tăiere	P-3	Orificiu
P-2	Capac inferior		

4. Detașați acumulatorul dacă acesta a fost instalat pe trimmer în pasul precedent.
5. Trageți firul din partea opusă până când în ambele laturi ale capului trimmerului firele au aceeași lungime (Fig. Q).
6. Atașați setul de acumulatori de trimmerul cu fir. Apăsăți și țineți apăsat butonul de înfășurare a firului pentru a demara motorul de înfășurare. Firul se va înfășura pe capul trimmerului în mod continuu (Fig. R).
7. Priviți cu atenție firul rămas. Pregătiți-vă să eliberați butonul imediat ce 18cm de fir rămân de-o parte și de cealaltă. Apăsăți scurt butonul de încărcare a firului pentru a regla lungimea până când 14 cm de fir se află în ambele părți.
8. Apăsăți în jos capul trimmerului în timp ce instalați firele pentru a derula manual firul și a vă asigura că asamblarea firului de tăiere este corectă.

OBSERVAȚIE: În cazul tragerii accidentale a firului în capul trimmerului, desfaceți capul și scoateți firul din bobină. Respectați instrucțiunile din capitolul “ÎNCĂRCAREA FIRULUI DE TĂIERE” din acest manual pentru realimentarea cu fir.

ÎNCĂRCAREA FIRULUI DE TĂIERE

Când firul de tăiere se rupe din orificiul de ieșire al acestuia sau dacă firul nu este eliberat când capul trimmerului este lovit, urmați pașii de mai jos pentru a îndepărta firul de tăiere rămas și a reîncărca cu fir.

1. Apăsăți cele două clape de detașare de pe capul trimmerului și extrageți-l direct (Fig. S-1 & S-2).
2. Îndepărtați firul de tăiere din capul trimmerului și introduceți arcul în fanta din ansamblul capacului inferior (Fig. T).
3. Ținând trimmerul cu o mână, utilizați o altă mână pentru a apuca ansamblul capacului inferior și aliniați fantele din ansamblul capacului inferior cu clapetele de detașare. Apăsăți ansamblul capacului inferior până când acesta se anclanșează în poziție, moment în care veți auzi un clichet distinct (Fig. U).
4. Urmați instrucțiunile din “ÎNLOCUIREA FIRULUI” pentru a reîncărca firul de tăiere.

Fig. S & T & U pentru descrierea componentelor consultați tabelul de mai jos:

S1-1	Ansamblul capacului inferior	U-1	Clapă de detașare
S1-2	Clapă de detașare	U-2	Fantă
T-1	Arc		

ÎNLOCUIREA CAPULUI TRIMMERULUI

⚠️ AVERTISMENT: În cazul care capul se slăbește după fixarea sa în poziție, înlocuiți-l imediat. Nu utilizați niciodată un trimmer cu un cap de tăiere slăbit. Înlocuiți imediat un cap de tăiere fisurat, avariat sau uzat, chiar dacă defectul se limitează la fisuri superficiale. Astfel de accesorii se pot sparge la viteză mare și pot cauza răni grave.

Îndepărtarea capului trimmerului

1. Detașați setul de acumulatori de trimmer.
2. Apăsăți cele două clape de detașare de pe capul trimmerului și scoateți ansamblul capacului inferior extrăgându-l direct (Fig. S1 & S2).
3. Scoateți firul de tăiere de pe capul trimmerului (Fig. V).
4. Dacă este nevoie, scoateți arcul din ansamblul bobinei. Păstrați-l pentru reasamblare.

5. Purtați mănuși. Cu o mână, apucați de ansamblul bobinei pentru a-l stabiliza și utilizați cealaltă mână pentru a slăbi piulița cu ajutorul unei chei cu impact, în direcția opusă acelor ceasului (Fig. W).
6. Îndepărtați piulița, șaiba, ansamblul bobinei și capacul superior de pe tija motorului (Fig. X).
7. Utilizați un clește de șaibe elastice pentru îndepărtarea șaibe elastice. Îndepărtați ansamblul ventilatorului (Fig. Y).
8. Înlocuiți cu un cap nou de trimmer și montați-l în ordinea următoare.

Fig. W & X & Y pentru descrierea pieselor consultați tabelul de mai jos:

W-1	Cheie cu impact	X-4	Piuliță
X-1	Capac superior	Y-1	Ansamblu ventilator
X-2	Ansamblu bobină	Y-2	Șaibă elastică
X-3	Șaibă		

Instalarea noului cap de trimmer

1. Aliniați fanta din ansamblul ventilatorului cu canelura din axul motorului și fixați ansamblul motorului în poziție (Fig. Z).
2. Instalați șaiba elastică, capacul superior, ansamblul bobinei și șaiba în această ordine. Utilizați o cheie cu impact pentru a strânge.
3. Urmați instrucțiunile din capitolul “ÎNCĂRCAREA FIRULUI DE TĂIERE” din acest manual pentru a monta ansamblul capacului inferior.
4. Urmați instrucțiunile din capitolul “ÎNLOCUIREA FIRULUI DE TĂIERE” din acest manual pentru a încărca firul de tăiere.
5. Porniți trimmerul pentru a vă asigura că acesta funcționează corect. În caz contrar, reasamblați-l conform descrierilor de mai sus.

Fig. Z pentru descrierea pieselor consultați tabelul de mai jos:

Z-1	Canelură	Z-2	Canelură
-----	----------	-----	----------

ÎNȚREȚINEREA

⚠️ AVERTISMENT: Când efectuați operații de service, utilizați doar piese de schimb identice. Utilizarea oricăror altor piese poate crea un pericol sau poate produce o deteriorare. Pentru siguranța și fiabilitatea produsului, toate reparațiile ar trebui efectuate de către un tehnician de service autorizat.

⚠️ AVERTISMENT: Sculele electrice alimentate cu baterii nu trebuie să fie racordate la o priză electrică, de aceea, acestea sunt întotdeauna în stare de funcționare. Pentru prevenirea rănilor personale grave, adoptați măsuri de siguranță suplimentare și de îngrijire când efectuați operații de întreținere, service sau înlocuiți accesoriile de tăiere sau alte accesorii.

⚠️ AVERTISMENT: Pentru prevenirea rănilor personale grave, scoateți setul de acumulatori din sculă înainte de a depana, curăța, înlocui accesorii detașabile sau de a îndepărta materialul din produs.

CURĂȚAREA PRODUSULUI

- Curățați produsul cu ajutorul unei cârpe umede și cu detergent slab.
- Nu utilizați detergenți puternici pe carcasa de plastic sau pe mâner. Acestea pot fi deteriorarea de anumite uleiuri parfumate precum brad și lămâie, și de către solvenți precum kerosenul. Umezeala poate cauza un risc de electrocutare. Ștergeți orice urmă de umezeală cu o cârpă uscată.
- Utilizați o perie mică sau fanta de aer cu perie a unui aspirator mic pentru a curăța fanțele de aerisire de obstrucții de pe carcasa posterioară.

ASCUȚIREA LAMEI DE TĂIERE A FIRULUI

⚠️ AVERTISMENT: Întotdeauna protejați-vă mâinile purtând mănuși super rezistente când efectuați orice operație de întreținere a lamei de tăiere a firului.

1. Detașați lama de tăiere a firului de apărătoare.
2. Purtați echipament adecvat de protecție a ochilor și mănuși și aveți grijă să nu vă tăiați.
3. Prindeți lama într-o menghină.
4. Piliți cu grijă muchiile lamei cu o pilă fină sau cu o piatră de ascuțit, păstrând unghiul original de tăiere al muchiei.
5. Repuneți lama pe apărătoare și prindeți-o cu cele două șuruburi.

DEPOZITAREA PRODUSULUI

- Scoateți setul de acumulatori din trimmerul cu fir când acesta nu este utilizat.
- Curățați scula bine înainte de a o depozita.
- Depozitați aparatul într-un loc uscat, bine aerisit, închis cu cheia sau la înălțime, în care copiii nu au acces. Nu depozitați produsul pe sau lângă fertilizanți, benzină sau alte chimicale.

A környezet védelme

- Vegye ki az akkumulátoregységet a fűkaszából, amikor nem használja.
- Tárolás előtt alaposan tisztítsa meg a szerszámot.
- Az egységet száraz, jól szellőző, elzárt vagy magas helyen tárolja, ahol gyermekek nem érik el. Ne tárolja az egységet benzín vagy más vegyszerek mellett.

Protejarea mediului înconjurător



Nu eliminați echipamentul electric, încărcătorul de acumulatori și bateriile/acumulatorii împreună cu deșeurile menajere!

Conform Directivei europene 2012/19/UE, sculele echipamentele electrice și electronice care nu mai sunt utilizabile, și conform Directivei europene 2006/66/CE, seturile de acumulatori/bateriile defecte sau uzate trebuie colectate separat.

Dacă aparatele electrice sunt aruncate la groapa de gunoi sau la haldă, se pot scurge substanțe periculoase în pânza freatică și acestea pot intra în lanțul trofic, afectându-vă sănătatea și bunăstarea

GHID DE DEPANARE

PROBLEMĂ	CAUZĂ	SOLUȚIE
Trimmerul cu fir nu pornește.	<ul style="list-style-type: none"> ■ Setul de acumulatori nu este atașat de trimmer. ■ Nu există contact electric între trimmer și acumulator. ■ Setul de acumulatori este descărcat. ■ Butonul de blocare și trăgaciul nu sunt apăsat simultan. 	<ul style="list-style-type: none"> ■ Atașați setul de acumulatori de trimmer. ■ Îndepărtați acumulatorul, verificați contactele și reinstalați setul de acumulatori. ■ Încărcați setul de acumulatori.. ■ Apăsăți în jos butonul de blocare și țineți-l apăsat, după care apăsați trăgaciul declanșator pentru a porni trimmerul.
FIRUL trimmerului se oprește în timpul utilizării.	<ul style="list-style-type: none"> ■ Apărătoarea nu este montată pe trimmer, rezultând un fir prea lung de depășește și un motor suprasolicitat. ■ Este utilizat un fir gros. ■ Axul motorului sau capul trimmerului sunt blocate cu iarbă. ■ Motorul este suprasolicitat. ■ Setul de acumulatori sau trimmerul sunt prea fierbinți. ■ Setul de acumulatori este deconectat de la sculă. ■ Setul de acumulatori este descărcat. 	<ul style="list-style-type: none"> ■ Îndepărtați setul de acumulatori și montați apărătoarea pe trimmer. ■ Utilizați firul de nailon de tăiere recomandat cu diametrul de maxim 2,4mm. ■ Opriți trimmerul, îndepărtați acumulatorul și curățați iarbă de pe axul motorului și capul trimmerului. ■ Îndepărtați capul trimmerului din iarbă. Motorul își va reveni imediat ce sarcina este îndepărtată. Când tăiați, deplasați capul trimmerului în iarbă și în afara ei pentru a o tăia și îndepărtați maxim 20cm de lungime dintr-o tăiere ■ Lăsați setul de acumulatori sau trimmerul cu fir să se răcească până când temperatura scade sub 67°C. ■ Reinstalați setul de acumulatori. ■ Încărcați setul de acumulatori.

PROBLEMĂ	CAUZĂ	SOLUȚIE
Capul trimmerului nu mai debitează fir.	<ul style="list-style-type: none"> ■ Axul motorului sau capul trimmerului sunt blocate cu iarbă. ■ În suportul de bobină nu mai este suficient fir. ■ Capul trimmerului este murdar. ■ Firul este încărcat în suportul de bobină. ■ Firul este prea scurt. 	<ul style="list-style-type: none"> ■ Opriți trimmerul, îndepărtați acumulatorul și curățați iarbă de pe axul motorului și capul trimmerului. ■ Îndepărtați acumulatorul și înlocuiți firul de tăiere; respectați instrucțiunile din capitolul "ÎNLOCUIREA FIRULUI" din acest manual. ■ Îndepărtați acumulatorul și curățați suportul bobinei și baza acesteia. ■ Îndepărtați acumulatorul, îndepărtați firul de pe suportul bobinei și înfășurați; respectați instrucțiunile din capitolul "ÎNLOCUIREA FIRULUI" din acest manual. ■ Scoateți acumulatorul și scoateți firele în timp ce apăsați alternativ în jos și eliberați capul trimmerului.
Iarbă înfășurată în jurul capului trimmerului și a carcasi motorului.	<ul style="list-style-type: none"> ■ Tăierea ierbii înalte la nivelul solului. 	<ul style="list-style-type: none"> ■ Tăiați iarbă înaltă de sus în jos, îndepărtând maxim 20cm cu fiecare tăiere pentru a preveni înfășurarea.
Lama nu taie firul.	<ul style="list-style-type: none"> ■ Lama de tăiere a firului situată pe marginea apărătorii s-a tocit. 	<ul style="list-style-type: none"> ■ Ascuțiți lama de tăiere a firului cu o pilă sau înlocuiți-o cu una nouă.
Fisuri pe capul trimmerului sau suportul bobinei se detașează ușor de baza bobinei.	<ul style="list-style-type: none"> ■ Capul trimmerului este uzat. 	<ul style="list-style-type: none"> ■ Înlocuiți imediat capul trimmerului, operație efectuată de un tehnician de service calificat.
În timpul înlocuirii firului, firul nu poate fi încărcat corect pe capul trimmerului.	<ul style="list-style-type: none"> ■ Firele de ÎNCĂRCARE ale suportului bobinei nu se aliniază cu orificiile din baza bobinei. ■ Firul nu este introdus corect în gaura de montare din orificiu. 	<ul style="list-style-type: none"> ■ Rotiți suportul de bobină în direcția săgeții aliniind firul de ÎNCĂRCARE de pe suportul bobinei cu orificiile din baza bobinei. ■ Aliniați mai întâi firele de ÎNCĂRCARE cu orificiile, după care introduceți firul în gaura de montare din interiorul orificiului.

GARANȚIA

POLITICA DE GARANȚIE EGO

Vă rugăm consultați website-ul egopowerplus.com pentru termenii și condițiile complete ale politicii de garanție EGO.

PREBERITE VSA NAVODILA!



PREBERITE PRIROČNIK Z NAVODILI ZA UPORABO.

⚠ Preostalo tveganje! Pred uporabo izdelka se morajo osebe z elektronskimi napravami, kot je srčni spodbujevalnik, posvetovati s svojim zdravnikom. Delovanje električne opreme v bližini srčnega spodbujevalnika lahko povzroči motnje ali okvaro srčnega spodbujevalnika.

⚠ OPOZORILO: Za zagotovitev varnosti in zanesljivosti mora vsa popravila izvesti usposobljen serviser.

VARNOSTNI SIMBOLI

Namen varnostnih simbolov je, da pritegnejo vašo pozornost na morebitne nevarnosti. Varnostni simboli in njihova pojasnila si zaslužijo vašo pozornost in razumevanje. Opozorilni simboli sami ne odpravljajo nobene nevarnosti. Navodila in opozorila niso nadomestilo za ustrezne ukrepe za preprečevanje nesreč.

⚠ OPOZORILO: Poskrbite, da boste pred uporabo orodja prebrali in razumeli vsa varnostna navodila v priročniku z navodili za uporabo, vključno z vsemi simboli za varnostna opozorila, kot so »**NEVARNOST**«, »**OPOZORILO**«, in »**SVARILO**«. Neupoštevanje spodaj navedenih navodil se lahko odrazi v električnem udaru, požaru in/ali resnih telesnih poškodbah.

POMEN SIMBOLOV

SIMBOL VARNOSTNEGA OPOZORILO: Nakazuje NEVARNOST, OPOZORILO ali SVARILO. Uporablja se lahko skupaj z drugimi simboli ali piktogrami.

VARNOSTNA NAVODILA

Na tej strani so prikazani in opisani varnostni simboli, ki se lahko pojavijo na tem izdelku. Preberite, osvojite in sledite navodilom na stroju preden ga boste poskušali sestaviti in upravljati.

	Varnostno opozorilo	Označuje potencialno nevarnost telesnih poškodb.
	Preberite priročnik z navodili za uporabo	Za zmanjšanje nevarnosti poškodb je pomembno, da uporabnik pred uporabo naprave prebere uporabniški priročnik.
	Nosite zaščito za oči	Pri upravljanju tega izdelka vedno nosite zaščitna očala ali varnostna očala s stransko zaščito in zaščito za celoten obraz.
	Nosite zaščito za ušesa	Za zaščito sluha vedno uporabljajte protihrupne pripomočke (čepke za ušesa ali glušnike).
	Širina košnje	Največja širina košnje kosilnice z nitko
	Premer nitke:	Premer najlonske nitke
	Uporabljajte zaščito za glavo	Uporabljajte odobreno odobreno zaščitno pokrivalo za glavo, ki nudi ustrezno zaščito za glavo.
	Uporabljajte zaščitne rokavice	Med rokovanjem rezila ali zaščitne rezila zaščitite roke z rokavicami. Trpežne rokavice z dobrim prijemom izboljšujejo prijem in varujejo vaše roke.
	Uporabljajte zaščitno obutev	Nosite nedrso zaščitno obutev, ko uporabljate to opremo.
	Bodite pozorni na sunek rezila	Upravljalca opozorite na nevarnost sunka rezila.
	Nevarnost odboja, prisotni naj bodo varno oddaljeni	Sunjeni predmeti se lahko odbijejo in povzročijo telesno poškodbo ali poškodbo lastnine. Poskrbite, da bodo drugi ljudje in hišni ljubljenci ustrezno oddaljeni od motorne kose, ko je ta v uporabi.

SL

	Prisotni naj bodo varno oddaljeni	Poskrbite, da bodo drugi ljudje in hišni ljubljenci od delujoče motorne kose oddaljeni najmanj 15 m.
	Ni okroglega rezila	Ne nameščajte okroglih rezil za košnjo.
	Ne izpostavljajte dežju	Naprave ne uporabljajte v dežju ali je puščajte zunaj, ko dežuje.
	CE	Ta izdelek je v skladu z veljavnimi direktivami ES.
	Odpadna električna in elektronska oprema (OEE0)	Odpadnih električnih izdelkov se ne sme odlagati med gospodinjne odpadke. Odnosite jih k pooblaščenemu izvajalcu postopka recikliranja.
	Hrup	Zajamčena raven zvočnega tlaka. Emisije hrupa v okolico so v skladu z direktivo Evropske skupnosti.
V	Volt	Voltaj
	Curent continuu	Tip sau o caracteristică a curentului
n_0	Turatje de mers în gol	Turatje de mers în gol
min ⁻¹	Pe minut	Revolu.ii pe minut

SPLOŠNA VARNOSTNA OPOZORILA ZA ELEKTRIČNA ORODJA

⚠ OPOZORILO: Preberite vsa varnostna opozorila, navodila, slike in tehnične podatke, ki so priloženi temu električnemu orodju. Zaradi neupoštevanja spodaj navedenih navodil lahko pride do električnega udara, požara in/ali hudih telesnih poškodb.

Vsa opozorila in navodila shranite za kasnejšo uporabo.

Izraz »električno orodje« v opozorilih se nanaša na orodja, ki jih poganja električni tok (žična), ali na akumulatorska (brezžična) orodja.

VARNOST DELOVNEGA OBMOČJA

- Delovno območje naj bo čisto in dobro osvetljeno. V neurejenih in temnih območjih se rade zgodijo nesreče.

- Električnega orodja ne upravljajte v eksplozivnih atmosferah, kot je ob prisotnosti vnetljivih tekočin, plinov ali prahu. Električno orodje ustvarja iskre, ki lahko povzročijo vžig prahu ali hlapirov.
- Med uporabo električnega orodja v bližino ne pustite otrok in drugih ljudi. Zaradi motenj lahko izgubite nadzor.

OSEBNA VARNOST

- Med uporabo električnega orodja bodite pozorni, spremljajte potek dela in uporabljajte zdrav razum. Električnega orodja ne uporabljajte, kadar ste utrujeni ali pod vplivom drog, alkohola ali zdravil. Trenutek nepazljivosti med uporabo električnega orodja lahko povzroči hude telesne poškodbe.
- Uporabljajte osebno varovalno opremo. Vedno nosite zaščito za oči. Če v različnih okoliščinah nosite ustrezno zaščitno opremo, kot so maska proti prahu, obutev z nedrsečim podplatom, trdno pokrivalo glave in zaščita za sluh, zmanjšate možnost telesnih poškodb.
- Preprečite neželen zagon. Pred priključitvijo napajanja in/ali baterijskega sklopa, pred dvigovanjem ali nošenjem orodja se prepričajte, da je stikalo v položaju za izklop. Prenasiranje električnih orodij s prstom na stikalo ali dovajanje napajanja električnim orodjem, pri katerih je stikalo v položaju za vklop, poveča tveganje nesreč.
- Pred vklopom električnega orodja odstranite morebitne prilagojevalne ključe ali izvijače. Izvijač ali ključ, ki je pritrjen na vrtljivi del električnega orodja, lahko povzroči telesne poškodbe.
- Ne segajte preko dosega. Pazite, da stojite stabilno in da ohranjate ravnotežje. To omogoča boljši nadzor nad električnim orodjem v nepričakovanih situacijah.
- Bodite primerno oblečeni. Ne nosite ohlapnih oblačil ali nakita. Pazite, da lasje, oblačila in rokavice ne pridejo v bližino gibljivih delov. Ohlapna oblačila, nakit ali dolgi lasje se lahko zapletejo v gibljive dele.
- Če imate na voljo naprave za sesanje in zbiranje prahu, preverite, ali so priključene in ali se ustrezno uporabljajo. Uporaba naprav za odstranjevanje prahu lahko zmanjša nevarnosti, povezane s prahom.
- Čeprav dobro poznate orodje zaradi pogoste uporabe, ne postanite samozadovoljni in ne ignorirajte varnostnih načel orodja. Nepazljivost pri uporabi lahko povzroči hude telesne poškodbe v delcu sekunde.

UPORABA IN NEGA ELEKTRIČNEGA ORODJA

- Električnega orodja ne preobremenjujte. Uporabite električno orodje, ki ustreza vašemu delu. Ustrezno električno orodje bo nalogo opravilo bolje in varneje pri zmogljivosti, za katero je bilo zasnovano.

- **Ne uporabljajte električnega orodja, če ga stikalo ne vklopi ali izklopi.** Kakršno koli električno orodje, ki ga ni mogoče nadzirati s stikalom, je nevarno in ga je potrebno popraviti.
 - **Električna orodja, ki niso v uporabi, shranjujte izven dosega otrok in ne dovolite, da bi električno orodje uporabljale osebe, ki niso seznanjene z električnim orodjem ali s temi navodili.** Električno orodje je v rokah neusposobljenih uporabnikov nevarno.
 - **Električna orodja in dodatke redno vzdržujte.** Preverite morebitno neopretnost ali povezavo premikajočih se delov, zlome delov ali morebitno drugačno stanje, ki bi lahko vplivalo na delovanje električnega orodja. Če je električno orodje poškodovano, ga pred ponovno uporabo dajte v popravilo. Mnogo nesreč se pripeti zaradi slabo vzdrževanih električnih orodij.
 - **Rezalna orodja naj bodo vedno nabrušena in čista.** Pravilno vzdrževana rezalna orodja z ostrimi rezili se težje zaskočijo in jih je lažje nadzirati.
 - **Električno orodje, dodatke in dele orodja itd. uporabljajte v skladu s temi navodili, pri tem pa upoštevajte delovne pogoje in delo, ki ga boste opravljali.** Če boste električno orodje uporabljali za neustrezne namene, lahko pride do nevarnih situacij.
 - **Ročaji in prijemna površina naj bodo suhi, čisti in brez madežev olja ali masti.** Drseči ročaji in prijemne površine ne omogočajo varnega ravnanja in nadzorovanja orodja v nepričakovanih situacijah.
 - **Kabli ne smejo biti v delovnem območju orodja.** Kablov morda med delom ne boste opazili, zato jih lahko nehote poškodujete z orodjem.
- **Baterijskega sklopa ali orodja, ki je poškodovano ali spremenjeno, ne uporabljajte.** Poškodovane ali spremenjene baterije se lahko nepredvidljivo vedejo, kar lahko povzroči požar, eksplozijo ali tveganje telesnih poškodb.
 - **Baterijskega sklopa ali orodja ne izpostavljajte ognju ali previsokim temperaturam.** Izpostavljenost ognju ali temperaturam nad 100 °C lahko povzroči eksplozijo.
 - **Upoštevajte vsa navodila za polnjenje in baterijskega sklopa ali orodja ne polnite izven temperaturnega razpona, navedenega v navodilih.** Nepravilno polnjenje ali temperature izven navedenega razpona lahko poškodujejo baterijo in povečajo tveganje požara.

SERVIS

- **Električno orodje naj servisira usposobljeno servisno osebje, ki uporablja le enake nadomestne dele.** To bo zagotovilo ohranjanje varnosti električnega orodja.
- **Nikoli ne popravljajte poškodovanih baterijskih sklopov.** Baterijske sklope lahko popravi le proizvajalec ali pooblaščen izvajalec storitev.

⚠ OPOZORILO: preberite vsa varnostna opozorila, navodila, slike in tehnične podatke, ki so priloženi temu električnemu orodju. Zaradi neupoštevanja spodaj navedenih navodil lahko pride do električnega udara, požara in/ali hudih telesnih poškodb. Vsa opozorila in navodila shranite za kasnejšo uporabo.

Vsa opozorila in navodila shranite za kasnejšo uporabo.

USPOSABLJANJE

- Pozorno preberite navodila. Seznanite se s kontrolami in pravilno uporabo naprave.
- Ljudem, ki niso seznanjeni s temi navodili, ali otrokom nikoli ne dovolite uporabljati naprave. Lokalni predpisi morda omejujejo starost upravljavca.
- Ne pozabite, da je upravljevalec ali uporabnik orodja odgovoren za nevarnosti ali tveganja za druge ljudi in lastnino, do katerih lahko pride.

PRIPRAVA

- Če so v bližini ljudi, še posebej otroci ali domače živali, naprave ne uporabljajte.
- Nosite zaščito za oči in robustne čevlje ves čas upravljanja stroja.
- Razdalja med napravo in drugimi prisotnimi ljudmi mora biti najmanj 15 m.
- Naprave ne uporabljajte, kadar je upravljevalec utrujen, bolan oziroma pod vplivom alkohola ali drugih drog.

UPORABA IN VZDRŽEVANJE BATERIJSKEGA ORODJA

- **Baterijo polnite le s polnilnikom, ki ga določa proizvajalec.** Polnilnik, ki ustreza eni vrsti baterij, morda lahko povzroči požar, če z njim polnite drugo vrsto baterij.
- **Baterijska orodja uporabljajte samo s predpisano vrsto baterij.** Uporaba katerih koli drugih baterij ustvari tveganje poškodb in požara.
- **Ko baterijski sklop ni v uporabi, ga hranite ločeno od kovinskih predmetov, kot so sponke za papir, kovanci, ključji, žebelji, vijaki ali drugi majhni kovinski predmeti, ki lahko povzročijo stik med enim in drugim terminalom.** Kratak stik zaradi povezanih terminalov baterije lahko povzroči opekline ali požar.
- **Ob zlorabi baterije lahko iz nje steče tekočina. Če se naključno dotaknete tekočine, mesto dotika sperite z vodo. Če pride tekočina v stik z očmi, poiščite zdravstveno pomoč.** Tekočina, ki izteče iz baterije lahko povzroči vnetje ali opekline.

UPRAVLJANJE

- Stroj uporabljajte le podnevi ali ob dobri umetni svetlobi.
- Stroja nikoli ne upravljajte, če so čitniki poškodovani, ali če niso na mestu.
- Motor vklopite šele takrat, ko roke in noge niso v stiku s komponentami za košnjo.
- Stroj vedno odklopite iz napajanja (npr. odstranite baterijski sklop):
 - kadar koli pustite stroj brez nadzora;
 - pred čiščenjem blokade;
 - pred pregledom, čiščenjem ali delom na napravi;
 - potem, ko zadenete ob tujek;
 - kadar koli začne stroj nenormalno vibrirati.
- Pazite na morebitne poškodbe dlani iz stopal z rezili.
- Vedno poskrbite, da so odprtine za zračenje čiste.

VZDRŽEVANJE IN SHRANJEVANJE

- Stroj vedno ločite od vira napajanja (na primer odstranite baterijski sklop) pred vzdrževanjem ali čiščenjem naprave.
- Uporabljajte samo nadomestne dele in dodatke, ki jih priporoča proizvajalec.
- Stroj redno preverjajte in vzdržujte. Stroj naj popravlja le pooblaščen serviser.
- Ko ni v uporabi, stroj pospravite izven dosega otrok.

DRUGA VARNOSTNA OPOZORILA

- **Izogibajte se uporabi na nevarnih območjih.** Naprave ne uporabljajte na vlažnem ali mokrem klancu.
- Poskrbite, da bodo varovala nameščena in ustrezno delujoča.
- Ne segajte v območje košnje z rokami in nogami.
- Nikoli ne delajte na lestvi ali na drugi nestabilni podpori. Tako boste znatno zmanjšali nevarnost poškodb. Enote za košnjo nikoli ne dvigujte nad višino pasu.
- Enoto za košnjo med uporabo redno preverjajte v kratkih intervalih ali nemudoma po tem, ko opazite spremenjeno učinkovitost košnje.
- Za najboljše rezultate baterijo polnite na mestu, kjer je temperatura višja od 5 °C in nižja od 40 °C. Baterije ne shranjujte zunaj ali v vozilih.
- Če pristopite, takoj ustavite motor in enoto za košnjo.
- **Upravljalca opozorite na nevarnost sunka rezila (samo za trizobo rezilo).**
 - Do sunka rezila lahko pride takrat, ko vrteče rezilo zadene ob predmet, ki ga ne prereže takoj.
 - Sunek rezila je lahko tako močan, da enoto in/ali

upravljalca vrže v katero koli smer, ta pa pri tem izgubi nadzor nad enoto.

- Do sunka rezila lahko pride brez vnaprejšnjega opozorila, če se rezilo zatakne, zaustavi med vrtenjem ali ukrovi.
- Večja verjetnost je, da do sunka rezila pride v območjih, kjer težko vidite material, ki ga režete.
- **Ne pritrujete na komponento rezila, če pred tem ne namestite vseh zahtevanih delov. Če ne uporabite ustreznih delov, lahko rezilo odleti proč in resno poškoduje upravljalca in/ali mimoidoče. Zavržite vsa skrivljena, zvita, počena, zlomljena ali kakor koli drugače poškodovana rezila. Uporabite ostro rezilo. Veliko bolj verjetno je, da bo počilo topo rezilo (samo za trizobo rezilo).**
- **Rezilo/nitka z vztrajnim momentom lahko povzroči poškodbo, ker se vrti tudi po zaustavitvi motorja ali po sprostitvi sprožilca. Obdržite nadzor toliko časa, da se rezilo/nitka popolnoma ustavi.**
- Napravo uporabljajte le z akumulatorskimi baterijami in polnilniki, navedenimi v slikli A.
- **Baterijskih orodij ni potrebno priključiti v električno vtičnico, zato so vedno v stanju delovanja. Zavedajte se mogočih nevarnosti tudi, ko orodje ne deluje. Bodite previdni pri vzdrževanju ali servisiranju.**
- **Naprave ne umivajte s cevjo. Voda naj ne pride v motor ali električne priključke.**
- Če pride do situacij, ki niso zajete v tem priročniku, bodite pazljivi in uporabite dobro presojo. Za pomoč stopite v stik servisnim centrom EGO.

TA NAVODILA SHRANITE!

TEHNIČNI PODATKI

Napetost	56 V ---
No Load Speed	4000-5800 /min
Mehanizem za košnjo	Udarna glava
Vrsta nitke za košnjo	2,4-mm najlonska zavita nitka
Širina košnje	38 cm
Priporočena delovna temperatura	0°C-40°C
Priporočena temperatura za shranjevanje	-20°C-70°C
Teža (brez akumulatorja)	3,2 kg

Izmerjena raven zvočnega tlaka L_{WA}	92,6 dB(A) K=0,8 dB(A)	
Raven zvočnega tlaka pri ušesu upravljavca L_{PA}	72,6 dB(A) K=2,5 dB(A)	
Zajamčena raven zvočnega tlaka L_{WA} (v skladu z direktivo 2000/14/ES)	93 dB(A)	
Tresljaji a_n	Sprednji ročaj	3,5 m/s ² K=1,5 m/s ²
	Zadnji ročaj	2,1 m/s ² K=1,5 m/s ²

- Deklarirana skupna vrednost vibracij je bila izmerjena v skladu s standardno preskusno metodo in se lahko uporabi za medsebojno primerjavo različnih orodij;
- Navedena skupna vrednost vibracij se lahko uporabi za predhodne ocene izpostavljenosti.

OPOMBA: Emisije vibracij se lahko med dejansko uporabo električnega orodja razlikujejo od deklarirane vrednosti, pri kateri se orodje uporablja. Z namenom zaščite upravljavca mora uporabnik v dejanskih pogojih uporabe nositi rokavice in zaščitno za ušesa.

SEZNAM PAKIRANJA

IME DELA	KOLIČINA
Kosilnica z nitko	1
Ščitnik	1
Sklop sprednjega ročaja za prijem	1
Ramenski pas	1
Šestrobi ključ	1
Priročnik z navodili za uporabo	1
Nitka za košnjo	1

OPIS

SPOZNAJTE SVOJ PUHALNIK (slika A)

1. Zadnji ročaj
2. Sprožilec stikala
3. Gumb za odklepanje
4. Nastavljiv sprednji ročaj
5. Ramenski pas
6. Gred
7. Ščitnik
8. Gumb za sprostitvev akumulatorja

9. Zapah
10. Električni kontakti
11. Mehanizem za izmet
12. Glava kosilnice z nitko (udarna glava)
13. Gumb za nalaganje nitke
14. Nitka za košnjo
15. Jeziček za sprostitvev
16. Rezilo nitke za košnjo
17. Šestkotni ključ

SESTAVA

⚠ OPOZORILO: Če so deli poškodovani ali manjkajo, izdelka ne uporabljajte, dokler deli niso zamenjani. Če ta izdelek uporabljate s poškodovanimi ali manjkajočimi deli, se lahko resno poškodujete.

⚠ OPOZORILO: ega izdelka ne poskušajte spreminjati in ne poskušajte izdelovati dodatkov, ki niso priporočeni za uporabo s to kosilnico z nitko. Vsako tako spreminjanje je zloraba in lahko privede do tveganj, ta pa do hudih telesnih poškodb.

⚠ OPOZORILO: Da preprečite nenamerni zagon, ki bi lahko povzročil resno telesno poškodbo, pri nameščanju delov vedno odstranite baterijski sklop.

MONTAŽA ŠČITNIKA

⚠ OPOZORILO: Pri montaži ali zamenjavi ščitnika vedno nosite rokavice. Pazite na rezilo na ščitniku in dlan zaščitite, da se ne urežete.

⚠ OPOZORILO: Orodja nikoli ne upravljajte, če ščitnik ni ustrezno nameščen. Ščitnik mora biti vedno nameščen na orodju za zaščito uporabnika. Ko je ščitnik pritrjen, ga nikoli ne poskušajte odstraniti ali prestaviti. Ščitnik lahko zamenja samo usposobljeni servisni tehnik.

Poravnajte dva vijaka, ki sta vnaprej privita na ščitnik, z dvema luknjama vijakov v gredi (slika B) in ju nato privijete s priloženim šestkotnim ključem (slika C).

Prepričajte se, da je ščitnik pritrjen v skladu s slikama B in C. Kakršna koli drugačna namestitvev bo povzročila veliko nevarnost.

MONTAŽA IN PRILAGAJANJE SPREDNJEGA ROČAJA ZA PRIJEM

Sprednji ročaj potisnite na gred (slika E), nato pritrdilni blok vstavite v režo ročaja (slika F), namestite zaklepni zatič in zaklenite s krilno matico (slika G). Zaporedje je prikazano na sliki D. Nato sprednji ročaj nastavite med mehko objemko in oznako, da se prepričate, da je vaša sprednja roka med delom iztegnjena (slika H) in nato zaklenite vzvod zaklepnega zatiča (slika I).

Sliki D in H: za opis delov glejte spodaj:

D-1	Sprednji ročaj	D-4	Krilna matica
D-2	Zaklepni zatič	H-1	Mehka objemka
D-3	Pritrdilni blok	H-2	Opozorilna oznaka

OPOMBA: Sprednji ročaj obrnite navzgor, da kaže v smeri zgornjega dela zadnjega ročaja.

⚠ OPOZORILO: Sprednji ročaj pritrdite samo med mehko objemko in oznako na gredi.

⚠ OPOZORILO: Orodja ni mogoče uporabljati, če sprednji ročaj ni varno nameščen.

NAMEŠČANJE RAMENSKEGA PASU

- Odvijte in odstranite vijak v kavlju pasu (sliki J1 in J2).
- Kavelj pritrdite na gred, kot prikazuje slika J3, in ga privijte z vijakom (slika J4).

⚠ OPOZORILO: Kavelj pasu pritrdite samo med ohišje in mehko objemko na gredi.

DELOVANJE

⚠ OPOZORILO: Četudi se dodobra seznanite s tem izdelkom, pri rokoivanju z njim ne postanite neprevidni. Pomnite, da je brezskrbni delec sekunde dovolj za resno poškodbo.

⚠ OPOZORILO: Vedno nosite varnostna očala ali varnostna očala s stransko zaščito ter ustrezno zaščito za sluh. Če tega ne storite, vam lahko v oči priletijo predmeti ali pride do drugih hudih poškodb.

⚠ OPOZORILO: Ne uporabljate priključkov ali dodatkov, ki jih proizvajalec tega izdelka ne priporoča. Uporaba priključkov ali dodatkov, ki niso priporočeni, lahko privede do resnih osebnih poškodb.

⚠ OPOZORILO: Če želite preprečiti resno telesno poškodbo, pred servisiranjem, čiščenjem, zamenjavo priključkov ali odstranjevanjem materiala iz enote odstranite akumulator.

Ta izdelek lahko uporabljate za:

Obrezovanje: uporablja se za odstranjevanje trave in plevela ob stenah, ograjah, drevesih in mejah.

Košnja: uporablja se za košnjo trave, ki jo je z običajno kosilnico težko doseči.

OPOMBA: Orodje se lahko uporablja samo za predpisani namen. Kakršna koli druga uporaba, kot je obrezovanje robov, se smatra za nepravilno uporabo.

PRIKLJUČITEV/ODKLAPLJANJE BATERIJSKEGA SKLOPA

OPOMBA: Če želite zagotoviti boljše ravnovesje, akumulator BA3360/BA4200/BA4200T/BA5600T uporabljajte skupaj s hrbtnim pasom (BH1000).

Pred prvo uporabo ga popolnoma napolnite. Za priključitev

Rebra akumulatorja poravnajte z režami za namestitev in akumulator potisnite navzdol, da zaslišite »klik« (slika K2).

Za odklapanje

Pritisnite gumb za sprostitve akumulatorja in izvlecite akumulator (slika L).

Sliki K1 in K2: za opis delov glejte spodaj:

K-1	Akumulator BA3360/ BA4200/BA4200T/ BA5600T	K-4	Zapah
K-2	Adapter	K-5	Reža za vgradnjo akumulatorja
K-3	Hrbtni pas		

PRIJEM KOSILNICE Z NITKO

⚠ OPOZORILO: Za upravljanje tega orodja se primerno oblecite, da zmanjšate nevarnost poškodb. Ne nosite ohlapnih oblačil ali nakita. Nosite zaščito za oči in sluh. Nosite robustne dolge hlače, škornje in rokavice. Ne nosite kratkih hlač, sandalov ali bodite bosi.

Preden kosilnico začnete uporabljati, jo primite z obema dlanema – z eno dlanjo primite zadnji ročaj, z drugo pa sprednji ročaj, ki naj bo v vodoravnem položaju (slika M). Nato preverite, da stojite na trdni podlagi in da je razdalja za košnjo ustrezna.

OPOMBA: Glava kosilnice z nitko je vzporedna s tlemi na primerni razdalji za košnjo, pri čemer se upravljaavec ne sklanja prek kosilnice.

ZAGON/ZAUSTEVITEV KOSILNICE Z NITKO

Zagon

Gumb za odklepanje pritisnete navzdol, nato pritisnite sprožilec. Drugačen pritisk na sprožilcu se odrazi v spremenljivi hitrosti vrtenja nitke za košnjo. Več pritiska pomeni višjo hitrost.

Zaustavitev

Spustite gumb za odklepanje in sprožilec.

OPOMBA: Motor teče le, kadar pritisnete gumb za odklepanje in sprožilec.

⚠ OPOZORILO: Med delovnimi odmori in po končanem delu iz kosilnice z nitko vedno odstranite baterijski sklop.

UPORABA KOSILNICE Z NITKO

⚠ OPOZORILO: Da se izognete resni telesni poškodbi, nosite očala ali zaščitna očala ves čas upravljanja enote. Na prašnih lokacijah uporabljajte obrazno masko ali protiprašno masko.

Območje rezanja pred vsako uporabo počistite. Odstranite vse predmete, kot so kamni, zdrobljeno steklo, žebliji, žica ali vrvi, ki jih lahko vrže ali se zapletejo v priključek za košnjo. Na območju naj ne bo otrok, opazovalcev in hišnih ljubljencev. Otroci, opazovalci in hišni ljubljenci naj bodo oddaljeni vsaj 15 m. Še vedno lahko obstaja nevarnost letočih predmetov za opazovalce. Prisotni naj uporabljajo tudi zaščito sluha. Če pristopite, takoj ustavite motor in priključek za košnjo.

Pred vsako uporabo napravo pregledajte za poškodovane/obrabljene dele

Pregledajte udarno glavo, ščitnik in sprednji ročaj za prijem ter zamenjajte dele, ki so razpokani, zviti, upognjeni ali kakor koli poškodovani.

Rezilo z nitko na robu ščitnika lahko sčasoma postane topo. Priporočljivo je, da ga redno ostrite s pilo ali ga zamenjate z novim rezilom.

⚠ OPOZORILO: Pri nameščanju zaščite ali izvajanju vzdrževalnih del na rezilu vedno nosite rokavice. Bodite pozorni na rezilo na ščitniku in zaščitite dlan, da se ne urežete.

Kosilnico z nitko po vsaki uporabi očistite.

⚠ SVARILO: Ovine v zračnikih bodo preprečile dovod zraka v ohišje motorja, kar bo vodilo v pregrevanje in poškodbe motorja.

Orodje očistite le z blagim milom in vlažno krpo. Ne dovolite, da bi tekočina vstopila v orodje. Nobenega dela orodja nikoli ne potopite v katero koli tekočino.

- Zračne odprtine v ohišju motorja naj bodo ves čas proste.

⚠ OPOZORILO: Obrezovalnika nikoli ne čistite z vodo. Pri čiščenju plastičnih delov se izogibajte uporabi topil. Večina vrst plastike se lahko pri uporabi različnih komercialnih topil poškoduje. Za odstranjevanje prahu, umazanije, olja, masti itd. uporabite čiste krpe.

NAMIGI ZA DOSEGANJE NAJBOLJŠIH REZULTATOV KOŠENJA (SLIKA N)

- Pravi kot za rezalni priključek je vzporeden s tlemi.
- Kosilnice z nitko ne preobremenjujte. Poskrbite, da kosite samo s konico nitke (zlasti vzdolž zidov). Če kosite z večjo površino, in ne samo s konico nitke, bo učinkovitost košenja manjša, lahko pa boste tudi preobremenili motor.
- Višino košnje določite glede na razdaljo nitke za košnjo od trave.
- Travo, ki je višja od 20 cm, kosite postopoma z vrha proti dnu v majhnih korakih. Na ta način boste preprečili prezgodnjo obrabo nitke za košnjo ali zadušitev motorja.
- Kosilnico z nitko počasi premikajte na območje košnje in z njega, da omogočite položaj rezalne glave na zeleni višini košnje. To gibanje je lahko v smeri naprej-nazaj ali iz ene strani na drugo. Boljše rezultate boste dosegli, če kosite postopoma na manjših površinah.
- Kosite samo, če sta trava in plevel suha.
- Žične in lesene ograje lahko povzročijo večjo obrabo ali okvaro naprave. Nitka se v stiku s kamnitimi ali opečnimi zidovi, robniki in lesom hitreje obrabi.
- Izogibajte se predelom, kjer rastejo drevesa in grmičevje. Drevesno lubje, lesene izdelbine in stebre ograj lahko nitka poškoduje.

Slika N: za opis delov glejte spodaj:

N-1	Najprimernejše območje za košnjo	N-2	Nevarno območje za košnjo
-----	----------------------------------	-----	---------------------------

PRILAGAJANJE DOLŽINE NITKE

Glava kosilnice z nitko upravljavcu omogoča sprostitev več nitke za košnjo brez zaustavitve motorja. Ko se nitka scofra ali obrabi, lahko sprostite dodatno nitko tako, da narahlo potolčete držalo vretena na tleh med delovanjem kosilnice (slika O).

OPOMBA: Sproščanje nitke bo postalo težje s tem, ko bo postala nitka krajša.

⚠ OPOZORILO: Sklopa rezila ne odstranjujte ali spreminjajte. Prevelika dolžina nitke bo povzročila pregrevanje motorja, ki lahko vodi v resno telesno poškodbo.

ZAMENJAVA NITKE

OPOMBA: Vedno uporabljajte priporočeno najlonsko nitko za košnjo s premerom, ki ni večji od 2,4 mm. Uporaba drugačne nitke lahko povzroči pregretje ali poškodbe kosilnice z nitko.

⚠ OPOZORILO: Nikoli ne uporabljajte nitke s kovinsko ojačitvijo ali žice, vrvi itd. Lahko se odrgajo in postanejo nevarne.

Kosilnica z nitko ima vgrajen napreden sistem za samodejno odvijanje nitke. Nitko za košnjo lahko ovijete na vreteno že z enim samim gumbom. Navijanje celotnega vretena običajno dokončate v 12 sekundah. Izogibajte se prekomerni uporabi sistema za navijanje, da zmanjšate možnost poškodbe motorja.

1. Odstranite akumulator.
2. Če je treba, odstranite preostalo nitko za košnjo. Enostavno jo izvlecite z roko.
3. Odrežite kos nitke za košnjo, dolgo 4 m. Nitko vstavite v vstavitveno odprtino (slika P) in jo potiskajte, dokler se konec nitke ne pojavi v nasprotni odprtini.

Slika P: za opis delov glejte spodaj:

P-1	Nitka za košnjo	P-3	Vstavitvena odprtina
P-2	Spodnji pokrov		

4. Odstranite akumulator, če ste ga vgradili v kosilnico z nitko v prejšnjem koraku.
5. Na drugi strani povlecite nitko ven, tako da bosta na obeh straneh glave kosilnice z nitko enaki dolžini nitke (slika Q).
6. Akumulator namestite v kosilnico z nitko. Pritisnite gumb za odvijanje nitke in ga pridržite, da zaženete motor za odvijanje nitke. Nitka se bo navila na glavo kosilnice (slika R).
7. Bodite pozorni na preostalo dolžino nitke. Gumb spustite takoj, ko je na obeh straneh na voljo še približno 18 cm nitke za košnjo. Na kratko pritisnite gumb za odvijanje nitke, da prilagodite dolžino na približno 14 cm na vsaki strani.

8. Glavo kosilnice potiskajte navzdol, medtem ko ročno vlečete nitko za ročno namestitev nitke, da preverite pravilno namestitev nitke.

OPOMBA: Če nitko pomotoma potegne v glavo kosilnice, odprite glavo in povlecite nitko iz vretena. Upoštevajte navodila v razdelku »NAVJIANJE NITKE ZA KOŠNJO« tega priročnika in navijte nitko.

NAVJIANJE NITKE ZA KOŠNJO

Če se nitka za košnjo sname iz izhoda za nitko ali če se nitka ne sprosti, ko potolčete glavo kosilnice, upoštevajte naslednje korake za odstranjevanje nitke za košnjo in navijanje nitke.

1. Pritisnite jezička za sprostitve glave kosilnice in odstranite glavo kosilnice tako, da jo izvlečete naravnost ven (sliki S-1 in S-2).
2. Odstranite nitko za košnjo iz glave kosilnice in vstavite vzmet v reži sestava spodnjega pokrova (slika T).
3. Z eno roko pridržite kosilnico, z drugo pa primite sestavo spodnjega pokrova in poravnajte reže v sestavi spodnjega pokrova s sprostivnima jezičkoma. Pritisnite sestav spodnjega pokrova, da se zaskoči (zaslišali boste razločen klik) – slika U.
4. Za ponovno namestitev nitke za košnjo sledite navodilom v razdelku »ZAMENJAVA NITKE«.

Slike S1, T in U: za opis delov glejte spodaj:

S1-1	Sestav spodnjega pokrova	U-1	Sprostivni jeziček
S1-2	Sprostivni jeziček	U-2	Reža
T-1	Vzmet		

ZAMENJAVA GLAVE KOSILNICE Z NITKO

⚠ OPOZORILO: Če se glava zrahlja potem, ko ste jo pričvrstili na mesto, jo nemudoma zamenjajte. Nikoli ne uporabljajte kosilnice z nitko, ki ima zrahljan priključek za rezanje. Razpokano, poškodovano ali obrabljeno glavo za rezanje nemudoma zamenjajte, tudi če gre le za površinske razpoke. Takšni priključki se lahko pri visokih hitrostih razletijo in povzročijo resne telesne poškodbe.

Odstranjevanje glave kosilnice z nitko

1. Iz kosilnice odstranite akumulator.
2. Pritisnite sprostitvena jezička na glavi kosilnice z nitko in odstranite sestav spodnjega pokrova glave kosilnice z nitko tako, da ga izvlečete (glejte sliki S1 in S2).
3. Nitko za košnjo odstranite iz glave kosilnice (slika V).

- Po potrebi vzmet odstranite iz sestava vretena. Shranite jo, saj jo boste potrebovali pri sestavljanju.
- Nosite rokavice. Z eno dlanjo primate sestav vretena, da ga stabilizirate, z drugo dlanjo pa primate udarni vijaknik in zrahljate matico v nasprotni smeri urinega kazalca (slika W).
- Odstranite matico, objemko, sestav vretena in zgornji pokrov iz gredi motorja (slika X).
- Vzmetni obroč odstranite z vzmetnimi kleščami. Odstranite sestav ventilatorja (slika Y).
- Zamenjajte z novo glavo kosilnice z nitko in jo vgradite (upoštevajte naslednje korake).

Slike W, X in Y: za opis delov glejte spodaj:

W-1	Udarni vijaknik	X-4	Matica
X-1	Zgornji pokrov	Y-1	Sestav ventilatorja
X-2	Sestav vretena	Y-2	Vzmetni obroč
X-3	Objemka		

Namestitev nove glave kosilnice z nitko

- Poravnajte režo ključa v sestavi ventilatorja z utovorom v gredi motorja in namestite sestav ventilatorja (slika Z).
- Namestite vzmetni obroč, zgornji pokrov, sestav vretena in objemko v tem vrstnem redu. Z udarnim vijaknikom privijte matico.
- Upoštevajte navodila v razdelku »**NAVIJANJE NITKE ZA KOŠNJO**« tega priročnika in namestite sestav spodnjega pokrova.
- Upoštevajte navodila v razdelku »**ZAMENJAVA NITKE**« tega priročnika in navijte nitko za košnjo.
- Zaženite orodje in preverite, ali kosilnica z nitko deluje pravilno. Če ne deluje pravilno, jo sestavite ponovno po navodilih, opisanih v tem dokumentu.

Slika Z: za opis delov glejte spodaj:

Z-1	Utor	Z-2	Reža za ključ
-----	------	-----	---------------

VZDRŽEVANJE

⚠ OPOZORILO: Pri servisiranju uporabljajte le identične nadomestne dele. Uporaba drugih delov je tvegana in lahko povzroči škodo na izdelku. Za zagotovitev varnosti in zanesljivosti mora vsa popravila izvesti usposobljen serviser.

⚠ OPOZORILO: Baterijskih orodij ni potrebno vključiti v električno vtičnico, zato so vedno v stanju delovanja. Da preprečite resno telesno poškodbo, bodite izjemno previdni pri vzdrževanju, servisiranju ali zamenjavi priključka za košnjo oziroma drugih priključkov.

⚠ OPOZORILO: Da preprečite resno telesno poškodbo, pred servisiranjem, čiščenjem, zamenjavo priključkov ali odstranjevanjem materiala iz enote odstranite baterijski sklop iz orodja.

ČIŠČENJE ENOTE

- Enoto očistite z vlažno krpo in blagim detergentom.
- Za čiščenje plastičnega dela ročaja ne uporabljajte močnih čistilnih sredstev. Poškodujejo ga lahko določena aromatična olja, kot sta olje bora in limone, ter topila, kot je kerozin. Vlaga prav tako lahko ustvari nevarnost električnega udara. Vlago obrišite z mehko in suho krpo.
- Zračne odprtine v zadnjem delu ohišja očistite z majhno krtačo ali vakuumsko čistilno krtačo.

OSTRENJE REZILA NITKE ZA KOŠNJO

⚠ OPOZORILO: Pri izvajanju vzdrževalnih del na rezilu nitke za košnjo vedno nosite zaščitne rokavice.

- Odstranite rezilo nitke za košnjo iz zaščite.
- Nosite ustrezno zaščito za oči in rokavice ter pazite, da se ne urežete.
- Rezilo postavite v primež.
- Robove rezila za rezanje pazorno opilite z mehko pilo ali brusilnim kamnom, da boste ohranili prvotni kot roba za rezanje.
- Zamenjajte rezilo zaščite in ga pritrдите z dvema vijakoma.

Shranjevanje enote

- Kadar ni v uporabi, iz kosilnice z nitko odstranite baterijski sklop.
- Orodje pred shranjevanjem temeljito očistite.
- Shranite ga v suhem in dobro zračenem prostoru, ki se zaklepa ali je dvignjen, da ne bo na dosegu otrok. Enote ne shranjujte na ali v bližino gnojil, bencina ali drugih kemikalij.

Varovanje okolja



Električne opreme, polnilnika baterij in baterij/baterij, ki jih je mogoče polniti, ne odvrzite med gospodinjske odpadke!

V skladu z evropskim zakonom 2012/19/EU glede električne in elektronske opreme, ki ni več uporabna, in v skladu z evropskim zakonom 2006/66/EC glede pokvarjenih ali izrabljenih baterijskih sklopov/baterij, je treba baterije zbrati ločeno.

Če električne naprave odvržete na smetišča, lahko nevarne snovi pronicajo v podtalnico in tako pridejo v prehranjevalno verigo, s čimer ogrozijo vaše zdravje in dobro počutje.

ODPRAVLJANJE TEŽAV

TEŽAVA	VZROK	REŠITEV
Kosilnica z nitko se ne vključi.	<ul style="list-style-type: none"> ■ Baterijski sklop ni pritrjen na kosilnico z nitko. ■ Med kosilnico z nitko in baterijo ni električnega stika. ■ Baterijski sklop je izpraznjen. ■ Gumb za odklepanje in sprožilec nista bila pritisnjena hkrati. 	<ul style="list-style-type: none"> ■ Baterijski sklop pritržite na kosilnico z nitko. ■ Odstranite baterijo, preverite kontakte in ponovno namestite baterijski sklop. ■ Gumb za odklepanje pritisnite navzdol in ga pridržite, nato pritisnite sprožilec, da vključite kosilnico z nitko.
Kosilnica z nitko se med delovanjem ustavi.	<ul style="list-style-type: none"> ■ Na kosilnici z nitko ni nameščenega ščitnika, kar je povzročilo predolgo nitko in preobremenjenost motorja. ■ Uporabljate težko nitko za košnjo. ■ Gred motorja ali glava kosilnice nitke je zamašena s travo. ■ Motor je preobremenjen. ■ Baterijski sklop ali kosilnica z nitko je prevroča.. ■ Baterijski sklop je odklopljen iz orodja. ■ Baterijski sklop je izpraznjen. 	<ul style="list-style-type: none"> ■ Odstranite baterijski sklop in ščitnik namestite na kosilnico z nitko. ■ Uporabljajte standardno najlonsko nitko za košnjo s premerom do 2,4mm. ■ Ustavite kosilnico z nitko, odstranite baterijo in odstranite travo iz gredi motorja in glave kosilnice z nitko. ■ Glavo kosilnice z nitko odstranite iz trave. Motor bo zopet deloval, ko boste odstranili obremenitev. Pri košnji premikajte glavo kosilnice z nitko v in iz trave ter je ne ob enem rezu ne premaknite več kot 20 cm. ■ Baterijski sklop ali kosilnico z nitko ohladite do temperature, ki je nižja od 67 °C. ■ Ponovno namestite baterijski sklop. ■ Napolnite baterijski sklop.

TEŽAVA	VZROK	REŠITEV
Glava kosilnice z nitko ne podaja nitke.	<ul style="list-style-type: none"> ■ Gred motorja ali glava kosilnice nitke je zamašena s travo. ■ Na držalu vretena ni dovolj nitke. ■ Glava kosilnice z nitko je umazana. ■ Nitka je zavozlana v držalu vretena. ■ Nitka je prekratka. 	<ul style="list-style-type: none"> ■ Ustavite kosilnico z nitko, odstranite baterijo in odstranite travo iz gredi motorja in glave kosilnice z nitko. ■ Odstranite baterijo in namestite nitko. Pri tem sledite navodilom v razdelku »ZAMENJAVA NITKE« tega priročnika. ■ Odstranite akumulator in očistite držalo ter osnovo vretena. ■ Odstranite akumulator, odstranite nitko iz držala vretena in jo ponovno navijte; upoštevajte navodila v razdelku »ZAMENJAVA NITKE« tega priročnika. ■ Odstranite akumulator in povlecite nitko, medtem ko izmenično pritiskate in sproščate glavo kosilnice z nitko.
Trava se ovija okrog glave kosilnice z nitko in ohlaja motorja.	<ul style="list-style-type: none"> ■ Travo režite pri tleh. 	<ul style="list-style-type: none"> ■ Visoko travo kosite z vrha navzdol in je naenkrat ne pokosite več kot 20 cm, da preprečite ovijanje
Rezilo ne reže nitke za košnjo.	<ul style="list-style-type: none"> ■ Rezilo z nitko na robu ščitnika je postalo topo. 	<ul style="list-style-type: none"> ■ Naostrite ga s pilo ali ga zamenjate z novim rezilom.
Razpoke na glavi kosilnice z nitko ali pa se je držalo vretena zrahljalo s podnožja vretena.	<ul style="list-style-type: none"> ■ Glava kosilnice z nitko je izrabljena. 	<ul style="list-style-type: none"> ■ Glavo kosilnice z nitko naj nemudoma zamenja kvalificiran serviser.
Med zamenjavo nitke slednje ni mogoče pravilno namestiti v glavo kosilnice z nitko.	<ul style="list-style-type: none"> ■ Črta LOAD na držalu vretena ni poravnana z vstavitvenimi odprtini na podnožju vretena. ■ Nitka ni pravilno nameščena v luknjo za namestitev v vstavitveni odprtini. 	<ul style="list-style-type: none"> ■ Držalo vretena zasučite v smeri puščice, da poravnate črte LOAD na držalu vretena z vstavitvenimi odprtini na podnožju vretena. ■ Najprej poravnajte črte LOAD z vstavitvenimi odprtini, nato vstavite nitko v odprtino za namestitev v vstavitveni odprtini.

SL

GARANCIJA

GARANCIJSKA POLITIKA DRUŽBE EGO

Za popolne pogoje garancijske politike družbe EGO obiščite spletno stran egopowerplus.com.

PERSKAITYKITE VISAS INSTRUKCIJAS!



SKAITYTI OPERATORIAUS VADOVĄ

⚠ Liekamoji rizika! Žmonės, kuriems implantuoti elektroniniai prietaisai, pvz., širdies stimulatoriai, prieš pradėdami naudoti šį gaminį turėtų pasikonsultuoti su savo gydytoju (-ais). Šalia širdies stimulatoriaus veikianti elektros įranga gali sukelti širdies stimulatoriaus veikimo trukdžius arba gedimą.

⚠ ĮSPĖJIMAS: Norint užtikrinti saugų ir patikimą gaminio naudojimą, visus remonto ir keitimo darbus turi atlikti kvalifikuotas techninės priežiūros specialistas.

SAUGOS SIMBOLIAI

Šių simbolių paskirtis – atkreipti dėmesį į galimus pavojus. Gerai susipažinkite su saugos simboliais bei jų paaiškinimais ir juos išsidėkite. Simbolių įspėjimai patys savaime negali apsaugoti nuo pavojų. Jais žymimi nurodymai ir įspėjimai neatstoja tinkamų nelaimingų atsitikimų prevencijos priemonių.

⚠ ĮSPĖJIMAS: Prieš pradėdami naudoti šį gaminį perskaitykite visus šioje naudojimo instrukcijoje pateiktus saugos nurodymus, taip pat susipažinkite su visais saugos įspėjamaisiais simboliais, tokiais kaip „**PAVOJUS**“, „**ĮSPĖJIMAS**“, ir „**PERSPĖJIMAS**“, ir įsitinkite, kad juos supratote. Nesilaikant visų toliau išdėstytų nurodymų galima patirti elektros smūgį, sukelti gaisrą ir (arba) sunkiai susižeisti.

SIMBOLIO REIKŠMĖ

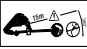


SAUGOS ĮSPĖJAMASIS SIMBOLIS: nurodo PAVOJŪ, ĮSPĖJIMĄ, arba PERSPĖJIMĄ. Gali būti panaudotas su kitais simboliais arba piktogramomis.

SAUGOS NURODYMAI

Šiame puslapyje pavaizduoti ir aprašyti saugos simboliai, kurių gali būti ant šio gaminio. Prieš pradėdami surinkti ir naudoti prietaisą, perskaitykite visus ant jo pateiktus nurodymus, įsitinkite, kad juos supratote, ir jais vadovaukitės.

	Saugos įspėjimas	Rodo galimą sužalojimo pavojų.
	Perskaitykite naudojimo instrukciją	Kad sumažintų pavojų susižaloti, naudotojas turi perskaityti naudojimo instrukciją ir įsitikinti, kad ją suprato.
	Dėvėkite akių apsaugos priemones	Naudodami šį gaminį visada užsidėkite apsauginius akinius arba apsauginius akinius su šonine apsauga ir visą veidą dengiantį skydelį.
	Dėvėkite ausų apsaugos priemones	Būtinai naudokite klausos organų apsaugą (ausų kamščius arba apsaugines ausines).
	Pjovimo plotis	Didžiausias žoliapjovės pjovimo plotis
	Linijos skersmuo	Nailoninio pjovimo valo skersmuo
	Užsidėkite galvos apsaugos priemonę	Galvai apsaugoti užsidėkite patvirtintą apsauginį šalmą.
	Mūvėkite apsaugines pirštines	Mūvėkite apsauginėmis pirštinėmis, tvarkydami pjovimo diską ar jo apsaugą. Tvirtomis neslidžiomis pirštinėmis įrankį galima geriau suimti ir apsaugoti rankas.
	Avėkite apsauginę avalynę	Dirbdami šia įranga avėkite neslidžią apsauginę avalynę.
	Saugokitės pjovimo galvutės atatrakos	Įspėkite operatorių apie pjovimo galvutės atatrakos pavojų.
	Saugokitės rikošeto ir neleiskite prisitrinti pašaliniais asmenims	Išsviesti svetimkūniai gali atšokti ir sužaloti žmones ar sugadinti turtą. Kiti žmonės ir naminiai gyvūnai turi atsitraukti toliau nuo naudojamos žoliapjovės.

LT

	Neleiskite prisirišinti pašaliniam asmeniui	Kiti žmonės ir naminiai gyvūnai turi atsitraukti ne mažesniu kaip 15 m atstumu nuo naudojamos žoliapjovės.
	Neapskritas pjovimo diskas	Negalima tvirtinti apskritų pjovimo diskų.
	Nenaudokite lyjant lietai	Nenaudokite lyjant lietai ir nepalikite lauke, kai lyja.
	CE	Šis gaminytis atitinka taikomas EB direktyvas.
	WEEE	Senų elektrinių gaminių negalima išmesti kartu su buitiniemis atliekomis. Atiduokite įgiatolam perdirbėjui.
	Triukšmas	Garantuojamas garso galios lygis. Triukšmo sklaida į aplinką atitinka Europos Bendrijos direktyvą.
V	Voltas	Įtampa
	Nuolatinė elektros srovė	Srovės tipas arba charakteristika
n_0	Sūčiai be apkrovos	Sukimosi greitis, kai nėra apkrovos
min ⁻¹	Per minutę	Apsisukimai per minutę

BENDRIEJI SAUGOS NURODYMAI DĖL ELEKTRINIO ĮRANKIO

⚠ ĮSPĖJIMAS. perskaitykite ir peržiūrėkite visus su šiuo elektriniu įrankiu pateiktus saugos nurodymus, instrukcijas, paveikslus ir specifikacijas. Nesilaikant visų toliau išdėstytų nurodymų galima patirti elektros smūgį, sukelti gaisrą ir (ar) sunkiai susižaloti.

Išsaugokite visus įspėjimus ir nurodymus, kad prirėkus galėtumėte pasižiūrėti.

Terminu „elektrinis įrenginys“ įspėjimuose vadinamas elektros energiją (prijungtas laidu) naudojantis elektrinis įrenginys arba baterijos energiją naudojantis (akumuliatorinis) elektrinis įrenginys.

DARBO VIETOS SAUGA

- Darbo vieta turi būti švari ir gerai apšviesta. Jei darbo vieta netvarkinga ar blogai apšviesta, gali įvykti nelaimingų atsitikimų.
- Nedirbkite su elektros prietaisu sprogiroje aplinkoje, pavyzdžiui, ten, kur yra degių skysčių, dujų arba dulkių. Elektros prietaisai gali kibirkščiuoti, o nuo kibirkščių gali užsidegti dulkęs arba susikaupę garai.
- Dirbdami su elektros prietaisu neleiskite šalia būti vaikams ir pašaliniam stebėtojams. Dėl dėmesį blaškiančių asmenų galite nesuvaldyti įrankio.

ASMENINĖ SAUGA

- Dirbdami su elektriniu įrankiu, būkite budrūs, stebėkite ką darote ir vadovaukitės sveika nuovoka. Nedirbkite su prietaisu, jei esate pavargę arba vartojote narkotikus, alkoholi ar medikamentus. Neatidumo akimirka dirbant su elektriniu įrankiu gali lemti sunkią traumą.
- Naudokite asmenines apsaugos priemones. **Visada dėvėkite apsauginius akinius.** Naudojant asmenines apsaugos priemones, pvz., apsaugos nuo dulkių kaukę, neslystančius batus, apsauginį šalną ar klausos apsaugos priemones, rekomenduojamas dirbant tam tikromis sąlygomis, sumažėja pavojus susižeisti.
- **Saugokitės atsitiktinio paleidimo. Prieš jungdami įrenginį prie maitinimo šaltinio ir (ar) sudėtinės baterijos, paimdami ar nešdami įrenginį, išitikinkite, kad jungiklis yra išjungtoje padėtyje.** Nešant elektrinius įrankius uždėjus pirštą ant jungiklio arba prijungiant elektrinių įrankių maitinimą, kai jungiklis įjungtas, gali įvykti nelaimingas atsitikimas.
- **Prieš jungdami elektrinį įrankį, patraukite į šalį visus reguliavimo raktus ir veržliarakčius.** Palikus veržliarakčių arba raktų uždėtą ant sukamosios elektrinio įrankio dalies, galima susižaloti.
- **Nepraraskite pusiausvyros. Visada tvirtai stovėkite ir išlaikykite pusiausvyrą.** Tuomet geriau suvaldysite elektrinį įrankį netikėtose situacijose.
- **Tinkamai apsirenkite. Nedėvėkite laisvų drabužių ir nešiokite laisvai kabančių papuošalų. Plaukus, drabužius ir pirštines laikykite toliau nuo judamųjų dalių.** Laisvus drabužius, papuošalus ar ilgus plaukus gali įtraukti judamosios dalys.
- **Jei yra numatyta galimybė prijungti dulkių nusiurbimo ar surinkimo įtaisus, visada užtikrinkite, kad jie būtų prijungti ir naudojami teisingai.** Naudojant dulkių filtravimo įtaisus galima sumažinti kenksmingas dulkių poveikį.

- Dažnai naudodami įrankius pernelyg savimi nepasitikėkite ir nepraraskite budrumo, kad paisytumėte saugaus įrankio naudojimo taisyklių. Užtenka akimirkos, kad dėl neatsargaus veiksmo sunkiai susižalotumėte.

ELEKTRINIO ĮRANKIO NAUDOJIMAS IR PRIEŽIŪRA

- Elektrinio įrankio neforsuokite. Naudokite jūsų darbui tinkamą elektrinį įrankį. Veikdamas numatytuoju greičiu, tinkamas elektrinis įrankis darbą atlieka veiksmingiau ir saugiau.
- Nenaudokite elektrinio įrankio, jei jungiklis jo neįjungia arba neišjungia. Bet koks elektrinis įrankis, kurio jungiklis neveikia, yra pavojingas ir jį būtina sutaisyti.
- Nenaudojamą prietaisą laikykite vaikams ir nemokantiems juo naudotis asmenims neprieinamoje vietoje. Neapmokytų naudotojų naudojami elektriniai įrankiai kelia pavojų.
- Tinkamai prižiūrėkite elektrinius įrankius ir priedus. Patikrinkite, ar judamosios dalys išcentruotos ir nestringa, ar nėra sulūžusių dalių ar kitų sąlygų, kurios gali turėti įtakos elektrinio įrankio veikimui. Jei elektrinis įrankis sugedęs, prieš naudodami jį sutaisykite. Dauguma nelaimingų atsitikimų įvyksta dėl prastai prižiūrimų elektrinių įrankių.
- Pjovimo įrankiai turi būti aštrūs ir švarūs. Tinkamai prižiūrimi pjovimo įrankiai aštriais ašmenimis rečiau stringa ir lengviau valdomi.
- Elektrinį įrankį, priedus, antgalius ir kitas dalis naudokite pagal šią instrukciją, atsižvelgdami į darbo sąlygas ir atliekamą darbą. Naudojant elektrinį įrankį ne pagal numatytąją paskirtį, gali susidaryti pavojinga situacija.
- Įrankių rankenos ir sugriebimo paviršiai turi būti sausi, švarūs ir neištepti alyva ar tepalu. Dėl slidžių rankenų ir sugriebimo paviršių įrankį sunku saugiai valdyti ir jis gali išsprūsti netikėtomis aplinkybėmis.
- Pasirūpinkite, kad teritorijoje, kurioje dirbama šiuo įrankiu, nebūtų laidų. Darbo metu laidų gali nesimatyti ir juos galima atsitiktinai pažeisti įrankiu.

AKUMULIATORINIŲ ĮRANKIŲ NAUDOJIMAS IR PRIEŽIŪRA

- Įkraukite naudodami tik gamintojo nurodytą įkroviklį. Naudojant įkroviklį, skirtą kito tipo sudėtinė baterijai, gali kilti pavojus sukelti gaisrą.
- Elektrinius įrankius naudokite tik su jiems skirtomis sudėtinėmis baterijomis. Naudojant kitokias sudėtinės baterijas, gali kilti pavojus susižaloti ir sukelti gaisrą.

- Nenaudojama sudėtinė baterija turi būti laikoma atokiau nuo metalinių daiktų, tokių kaip sąvaržėlės, monetos, raktai, vinyas, varžtai ar kiti smulkūs metaliniai daiktai, galintys sujungti abu baterijos gnybtus. Įvykus tumpajam jungimui tarp baterijos gnybtų galima nusidiegti ar gali kilti gaisras.
- Dėl netinkamų sąlygų iš baterijos gali ištekti skystis – nelieskite jo. Skysčiui atsitiktinai patekus ant odos, nedelsiant nuplaukite vandeniu. Jeigu skysčio pateko į akis, kreipkitės ir į gydytojus. Iš baterijos ištekėjęs skystis gali dirginti arba nudeginti.
- Nenaudokite pažeistos ar modifikuotos sudėtinės baterijos ar įrankio. Tokios netinkamos sudėtinės baterijos gali kelti gaisro, sprogimo ar sužalojimo pavojų.
- Sudėtinės baterijos ar įrankio negalima deginti ar kaitinti. Bateriją deginant ar įkaitinus virš 100 °C ji gali sprogti.
- Laikykites įrankio ar sudėtinės baterijos įkrovimo instrukcijų ir įkrovimą vykdykite nurodytame temperatūrų diapazone. Priešingu atveju galite sugadinti sudėtinę bateriją ar net sukelti gaisrą.

TECHNINĖ PRIEŽIŪRA

- Techninės priežiūros darbus turi atlikti kvalifikuotas remonto meistras, naudodamas tik identiškas atsargines dalis. Taip elektrinis įrankis išliks saugus.
- Niekada neremontuokite sugadintos sudėtinės baterijos. Tokias baterijas remontuoti gali tik gamintojas arba įgalioto techninės priežiūros centro specialistai.

⚠ ĮSPĖJIMAS. Perskaitykite ir peržiūrėkite visus su šiuo elektriniu įrankiu pateiktus saugos nurodymus, instrukcijas, iliustracijas ir specifikacijas. Nesilaikant visų toliau išdėstytų nurodymų galima patirti elektros smūgį, sukelti gaisrą ir (arba) sunkiai susižaloti. Visus įspėjimus ir instrukcijas saugokite vėlesniam naudojimui.

Visus įspėjimus ir instrukcijas saugokite vėlesniam naudojimui.

MOKYMAI

- Atidžiai perskaitykite instrukciją. Susipažinkite su valdikiškais ir nurodymais, kaip tinkamai naudoti įrenginį.
- Įrankio niekada neleiskite naudoti asmenims arba vaikams, nesuspėjusiems su šia instrukcija. Vietiniai teisės aktai gali riboti operatoriaus amžių.
- Atsiminkite, kad operatorius arba naudotojas atsako už nelaimingus atsitikimus ir pavojus, keliamus kitiems žmonėms ir jų turtui.

PASIRUOŠIMAS

- Niekada nenaudokite įrenginio, kai netoliese yra žmonių, ypač vaikų, arba augintinių.
- Dirbdami su elektriniu įrankiu visą laiką dėvėkite akių apsaugą ir tvirtą avalynę.
- Visi pašaliniai asmenys turi būti laikyti bent 15 m atstumu nuo įrenginio.
- Niekada nedirbkite su įrenginiu, jeigu operatorius yra pavargęs, serga arba yra veikiamas alkoholio arba vaistų.

NAUDOJIMAS

- Veją pjaukite tik dieną arba esant tinkamam dirbtiniam apšvietimui.
- Niekada nenaudokite įrenginio, kai saugos priemonės ar skydeliai yra sugadinti arba neuždėti.
- Variklį įjunkite tik rankas ir kojas laikydami atokiau nuo pjovimo priemonių.
- Visada įrenginį atjunkite nuo maitinimo šaltinio (t. y. išimkite akumuliatorių):
 - kai paliekate įrenginį be priežiūros;
 - prieš patraukdami klūtį;
 - prieš tikrindami, valydami įrenginį arba dirbdami prie jo;
 - kliudę pašalinį daiktą;
 - jei įrenginys pradeda neįprastai vibruoti.
- Būkite atsargūs, kad pjovimo priemonės nesusižalotų pėdų ir rankų.
- Užtikrinkite, kad ventiliacijos angose niekada nebūtų pašalinių objektų.

TECHNINĖ PRIEŽIŪRA IR LAIKYMAS

- Prieš vykdymą techninės priežiūros ar valymo darbus atjunkite įrenginį nuo maitinimo šaltinio (t. y. išimkite akumuliatorių).
- Naudokite tik gamintojo rekomenduojamas atsargines dalis ir priedus.
- Įrenginį reguliariai apžiūrėkite ir tvarkykite. Įrenginio remontą patikėkite tik igaliojamam remonto centrui.
- Kai nenaudojamas, laikykite įrenginį vaikams nepasiekiamoje vietoje.

KITI SAUGOS ĮSPĖJIMAI

- Venkite pavojingos aplinkos – nenaudokite įrenginio ant drėgnų arba šlapių šlaitų.
- Nenuimkite uždėtų techniškai tvarkingų apsaugos priemonių.

- Atitraukite rankas ir kojas nuo pjovimo zonos.
- Kad sumažintumėte susižalojimo pavojų, niekada nedirbkite stovėdami ant kopėčių ar ant kito nestabilaus pagrindo. Niekada pjovimo priedo nelaikykite išklėle aukščiau juosmens lygio.
- Darbo metu pjovimo priedą tikrinkite reguliariai arba tuoj pat, jei pastebite pasikeitusį pjovimo pobūdį.
- Siekiant geriausių rezultatų, akumuliatorius turėtų būti įkraunamas vietoje, kurioje temperatūra yra didesnė nei 5 °C ir mažesnė nei 40 °C. Nelaikykite jo lauke arba transporto priemonėse.
- Jeigu link jūsų artėja asmuo, nedelsdami išjunkite variklį ir sustabdykite pjovimo priedą.
- Įspėkite operatorių apie pjovimo galvutės atatraknos pavojų (tik naudojant tridantį diską).
 - Atatranka gali įvykti, kai besisukantis pjovimo diskas prisiliečia prie klūties, kurios jis negali iš karto perpjauti.
 - Pjovimo disko atatranka gali būti gana stipri ir atstumti įrankį ir (ar) operatorių bet kuria kryptimi (galima nesuvaldyti įrankio).
 - Pjovimo disko atatranka gali įvykti netikėtai, jei diskas užkliūna ar įstringa.
 - Tokia atatranka dažniausiai įvyksta tokiose vietose, kur sunku įžūrėti pjaunamą medžiagą.
- Netvirtinkite prie pjovimo galvutės jokių diskų, tinkamai neuždėję visų būtinų dalių. Neuždėjęs reikiamų dalių diskas gali atitrūkti ir skriedamas sunkiai sužaloti patį operatorių ir (ar) pašalinius asmenis. Išmeskite sulinkusius, deformuotus, įtrūkusius, sulūžusius ar kitaip pažeistus pjovimo diskus. Naudokite išgaląstus diskus. Atšipę diskai dažniau stringa ir atšoka (tik naudojant tridantį diską).
- Iš inercijos besisukantis pjovimo diskas (lynelis) gali sužaloti, kai jis sukasi atleidus jungiklį ir išjungus variklį. Nepraraskite budrumo, kol pjovimo diskas (lynelis) visiškai sustos.
- Naudokite tik su A pavojaus nurodytomis sudėtinėmis batenjomis ir įkrovikliais.
- Akumuliatorių įrankių nereikia jungti į elektros lizdą; dėl to jie visada yra darbinėje būklėje. Net įrankiui neveikiant neužmirškite apie jo keliamus pavojus. Atlikdami remonto arba techninės priežiūros darbus, būkite atidūs.
- Neplaukite vandens žarna. Saugokite, kad vandens nepatektų ant variklio ir elektros jungčių.

- Susidarius šioje instrukcijoje neaprašytoms aplinkybėms, būkite atsargūs ir vadovaukitės sveika nuovoka. Pagalbos kreipkitės į EGO klientų aptarnavimo centrą.

IŠSAUGOKITE ŠIAS INSTRUKCIJAS!

TECHNINIAI DUOMENYS

Įtampa	56 V $\overline{\text{---}}$	
Sūkiai be apkrovos	4000-5800 /min	
Pjovimo mechanizmas	Pjovimo galvutė	
Pjovimo valo tipas	2,4 mm nailoninis susuktas lynelis	
Pjovimo plotis	38 cm	
Rekomenduojama darbo temperatūra	0°C-40°C	
Rekomenduojama laikymo temperatūra	-20°C-70°C	
Svoris (be sudėtinės baterijos)	3,2 kg	
Išmatuotas garso galios lygis L_{WA}	92,6 dB(A) K=0,8 dB(A)	
Garso slėgio lygis ties operatoriaus ausimi L_{PA}	72,6 dB(A) K=2,5 dB(A)	
Garantuojamas garso galios lygis L_{WA} (pagal 2000/14/EB)	93 dB(A)	
Vibracija a_n	Priekinė pagalbinė rankena	3,5 m/s ² K=1,5 m/s ²
	Galinė rankena	2,1 m/s ² K=1,5 m/s ²

- Nurodyta bendroji vibracijos vertė išmatuota taikant standartinį bandymo metodą, todėl pagal ją galima palyginti skirtingus įrenginius.
- Nurodytą bendrąją vibracijos vertę taip pat galima naudoti pirminiam poveikio vertinimui.

PASTABA: Naudojant įrenginį realiomis sąlygomis, sklaidžiamos vibracijos stiprumo vertė gali skirtis nuo nurodytos. Kad apsisaugotų dirbdamas realiomis sąlygomis, naudotojas turi mūvėti pirštines ir naudoti ausų apsaugos priemones.

PAKUOTĖS TURINIO SĄRAŠAS

DALIES PAVADINIMAS	KIEKIS
Žoliapjovė	1
Apsaugos priemonė	1
Priekinės pagalbinės rankenos blokas	1
Diržas per petį	1
Šešiakampis raktas	1
Naudojimo instrukcija	1
Pjovimo lynelis	1

APRAŠAS

SUŽINOKITE, KAIP VEIKIA ŽOLIAPJOVĖ (A pav.)

1. Galinė rankena
2. Pagrindinis jungiklis
3. Blokavimo mygtukas
4. Reguluojama priekinė pagalbinė rankena
5. Diržas per petį
6. Velenas
7. Apsauga
8. Baterijos atjungimo mygtukas
9. Užraktas
10. Elektros kontaktai
11. Išstūmimo mechanizmas
12. Žoliapjovės galvutė (pjovimo galvutė)
13. Lynelis susukimo mygtukas
14. Pjovimo lynelis
15. Atlaisvinimo auselė
16. Lynelio nupjovimo peilis
17. Šešiakampis raktas

SESTAVA

⚠ OPOZORILO: Če so deli poškodovani ali manjkajo, izdelka ne uporabljajte, dokler deli niso zamenjani. Če ta izdelek uporabljate s poškodovanimi ali manjkajočimi deli, se lahko resno poškodujete.

⚠ OPOZORILO: ega izdelka ne poskušajte spreminjati in ne poskušajte izdelovati dodatkov, ki niso priporočeni za uporabo s to kosilnico z nitko. Vsako tako spreminjajte je zloraba in lahko privede do tveganj, ta pa do hudih telesnih poškodb.

⚠️ OPOZORILO: Da preprečite nenamerni zagon, ki bi lahko povzročil resno telesno poškodbo, pri nameščanju delov vedno odstranite baterijski sklop.

SURINKIMAS

⚠️ ĮSPĖJIMAS: jeigu bet kuri dalis yra sugadinta arba jos trūksta, nenaudokite šio įrenginio, kol ji nebus pakeista. Jeigu įrenginys naudojamas, kai dalys yra sugadintos arba jų trūksta, galima sunkiai susižeisti.

⚠️ ĮSPĖJIMAS: nebandykite keisti šio įrenginio arba kurti priedus, kurių nerekomenduojama naudoti su šia žoliapjove. Bet koks pakeitimas arba modifikavimas yra laikomas netinkamu naudojimui, dėl kurio gali susidaryti pavojingos sąlygos, kurių metu galite sunkiai susižaloti.

⚠️ ĮSPĖJIMAS: Norėdami išvengti atsitiktinio paleidimo, kuris gali lemti sunkų sužalojimą, visada išimkite sudėtinę bateriją šį įrenginio, kai montuojate dalis.

APSAUGOS PRIEMONĖS MONTAVIMAS

⚠️ ĮSPĖJIMAS: montuodami arba keisdami apsaugos priemonę, visada mūvėkite pirštines. Atidžiai elkites su ant apsaugos esančiu peiliu ir saugokite rankas nuo įpjovimo.

⚠️ ĮSPĖJIMAS: niekada nenaudokite įrankio be tinkamai pritvirtintos apsaugos. Apsauga visada turi būti ant įrankio ir saugoti naudotoją! Pritvirtintos apsaugos niekada nebandykite nuimti ar reguliuoti. Jeigu ją reikia pakeisti, tai turi atlikti kvalifikuotas techninės priežiūros specialistas!

Abu apsaugos varžtus įtaikykite į veleno sriegines angas (B pav.) ir priveržkite pridėdamu šešiakampi raktu (C pav.).

Apsauga turi būti pritvirtinta, kaip parodyta B ir C paveiksluose, nes pritvirtinus atvirksčiai kyla didelis pavojus susižaloti!

PRIEKINĖS PAGALBINĖS RANKENOS MONTAVIMAS IR REGULIAVIMAS

Užstumkite priekinę pagalbinę rankeną ant veleno (E pav.), tuomet į rankenos lizdą (F pav.) įstatykite sąvaržą, įstatykite fiksavimo kaištį ir priveržkite sparnuotąją varžlę (G pav.). Darbo tvarka parodyta D paveiksle. Galiausiai sureguliuokite priekinę pagalbinę rankeną tarp minkštosios movos ir etiketės taip, kad jūsų priekyje žoliapjovę laikanti ranka būtų ištiesta (H pav.), ir tuomet užfiksukite fiksavimo kaišio svirtį (I pav.).

D ir H pav. pavaizduotų dalių aprašas:

D-1	Reguliuojama priekinė pagalbinė rankena	D-4	Sparnuotoji varžlė
D-2	Fiksavimo kaištis	H-1	Minkštoji mova
D-3	Sąvarža	H-2	Įspėjamoji etiketė

PASTABA: priekinė pagalbinė rankena turi būti pasukta į viršų, kad būtų nukreipta į galinės rankenos viršų.

⚠️ ĮSPĖJIMAS: priekinę pagalbinę rankeną tvirtinkite tik tarp minkštosios movos ir etiketės ant veleno.

⚠️ ĮSPĖJIMAS: šio įrankio negalima naudoti tvirtai nepritvirtinus priekinės pagalbinės rankenos.

DIRŽO PER PETĮ TVIRTINIMAS

1. Atsukite ir išimkite varžtą iš diržo sagties (J1 ir J2 pav.).
2. Užkabinkite sagtį ant veleno, kaip parodyta J3 pav., ir suveržkite varžtą (J4 pav.).

⚠️ ĮSPĖJIMAS: diržo sagtį ant veleno tvirtinkite tik tarp korpuso ir minkštosios movos.

NAUDOJIMAS

⚠️ ĮSPĖJIMAS: mokėjimas naudotis įrenginiu nesuteikia teisės dirbti nerūpestingai. Atsiminkite, kad trumpam atitraukę dėmesį galite sunkiai susižaloti.

⚠️ ĮSPĖJIMAS: visada dėvėkite apsauginius akinius ar veido skydelį ir apsaugines ausines. Nesilaikant šio nurodymo į akis gali pataikyti išsviestos šiukšlės arba galite kitaip sunkiai susižaloti.

⚠️ ĮSPĖJIMAS: nenaudokite bet kokių priedų arba įtaisų, kurių nerekomendavo šio įrenginio gamintojas. Naudodami nerekomenduojamus priedus arba įtaisus galite sunkiai susižaloti.

⚠️ ĮSPĖJIMAS: kad išvengtumėte sunkių traumų, prieš atlikdami techninę priežiūrą, valydami žoliapjovę, keisdami priedus arba valydami šiukšles, iš įrankio išimkite sudėtinę bateriją.

Galite naudoti šį įrenginį toliau išvardytais tikslais:

Apkarpymas: naudojamas pašalinti žolėms ir piktžolėms prie sienų, tvorų, medžių ir bortelių.

Pjovimas: naudojamas žolės pjovimui vietose, kurias sunku pasiekti naudojant įprastą vejapjovę.

PASTABA: Šį įrenginį reikia naudoti tik pagal nurodytą paskirtį. Naudojimas bet koku kitu tikslu, pvz., pakraščiu apkarpymui, laikomas netinkamu naudojimu.

SUDĖTINĖS BATERIJOS ĮSTATYMAS / IŠĖMIMAS

PASTABA: kad subalansuotumėte svorį, su BA3360/BA4200/BA4200T/BA5600T baterijomis naudokite kuprinės tipo diržus (BH1000).

Prieš naudodami pirmą kartą, visiškai įkraukite.

Įstatant

Įtaikykite baterijos briaunas į lizdo griovelius ir spauskite sudėtinę bateriją žemyn, kol išgirsite spragtelėjimą (K2 pav.).

Išimant

Paspauskite baterijos atjungimo mygtuką ir išimkite sudėtinę bateriją (L pav.).

K1 ir K2 pav. pavaizduotų dalių aprašas:

K-1	BA3360/BA4200/ BA4200T/BA5600T sudėtinė baterija	K-4	Užraktas
K-2	Adapteris	K-5	Baterijos įstatymo lizdas
K-3	Kuprinės tipo diržai		

ŽOLIAPJOVĖS LAIKYMAS

⚠️ ĮSPĖJIMAS: siekdami sumažinti susižalojimo riziką įrenginio naudojimo metu, tinkamai apsirenkite. Nedėvėkite laisvų drabužių ir nenešiotkite laisvai kabančių papuošalų. Dėvėkite akių ir ausų apsaugas. Mūvėkite tvirtos medžiagos, ilgas kelnes, batus ir pirštines. Nedėvėkite trumpų kelnių, sandalų bei nedirbkite basomis.

Prieš pradėdami darbą suimkite žoliaplovę abiem rankomis, t. y. viena ranka už galinės rankenos, o kita ranka, kuri turi būti ištiesta, už priekinės pagalbinės rankenos (M pav.). Įsitikinkite, kad stovite tvirtai ir tinkamu pjovimo atstumu.

PASTABA: žoliaplovės galvutė turi būti lygiagrečiai žemės paviršiui, stovint tinkamu pjovimo atstumu ir nesilenkiant į priekį.

ŽOLIAPJOVĖS PALEIDIMAS / STABDYMAS

Paleidžiant

Nuspauskite blokavimo mygtuką, o po to – ir jungiklį. Skirtinga jėga spaudžiant jungiklį keičiasi pjovimo lynelio sukimosi greitis. Kuo stipriau spaudžiama, tuo greitis didesnis.

Atleiskite blokavimo mygtuką ir jungiklį.

PASTABA: variklis veikia tik tuomet, kai blokavimo mygtukas nuspaustas kartu su jungikliu.

⚠️ ĮSPĖJIMAS: darydami pertraukas arba baigę darbą, visada išimkite sudėtinę bateriją iš žoliaplovės.

ŽOLIAPJOVĖS NAUDOJIMAS

⚠️ ĮSPĖJIMAS: siekdami išvengti sunkaus susižalojimo, dirbdami su įrenginiu visada dėvėkite apsauginius akinius. Dirbdami dulkkėtoje aplinkoje, dėvėkite visą veidą dengiančią kaukę arba respiratorių.

Prieš kiekvieną naudojimą išvalykite pjaunamą plotą. Pašalinkite viską, pavyzdžiui, akmenis, stiklo duženas, vinis, vielas arba laidus, t. y. objektus, kurie pjovimo įtaiso gali būti sviesti į šoną arba jame įspainioti. Užtikrinkite, kad darbo zonoje nebūtų vaikų, pašalinių asmenų bei naminių gyvūnų. Vaikai, pašaliniai asmenys bei naminiai gyvūnai turi būti nutolę ne mažesniu kaip 15 m atstumu; net ir laikantis šio atstumo, žoliaplovės sviedžiamų objektų pavojus pašaliniams asmenims išlieka. Šalia esantys asmenys turėtų dėvėti akių apsaugą. Jeigu matote jūsų link artėjančią asmenį, nedelsdami išjunkite įrenginį.

Prieš kiekvieną naudojimą patikrinkite, ar nėra sugadintų arba susidėvėjusių dalių

Apžiūrėkite pjovimo galvutę, apsaugos priemonę ir priekinę pagalbinę rankeną. Pakeiskite sutrūkinėjusias, pakeitusias formą, sulinkusias arba bet kaip kitaip pažeistas dalis.

Valo nukirtimo peilis, esantis apsaugos pakraštyje, laukui bėgant gali atšipti. Rekomenduojama reguliariai galąsti jį dilde arba pakeisti nauju.

⚠️ ĮSPĖJIMAS: montuodami apsaugą ar tvarkydami peilį visada mūvėkite pirštines. Atsargiai atkeltis su peiliu ant apsaugos ir saugokite rankas nuo įpjovimo.

Po kiekvieno naudojimo žoliaplovę išvalykite.

⚠️ PERSPĖJIMAS: angose susikaupę likučiai neleidžia orui tekėti į variklio korpusą, dėl to variklis gali perkaisti arba sugesti.

Įrenginį valykite tik švelniu valikliu ir drėgna šluoste. Niekada neleiskite jokiam skysčiui patekti į įrenginio vidų; niekada nenardinkite jokios įrenginio dalies į skysčių.

■ Visada užtikrinkite, kad variklio ventiliacinėse angose ir velenė nebūtų žolės likučių

⚠️ ĮSPĖJIMAS: niekada žoliapjovės valymui nenaudokite vandens. Valydami plastikines dalis nenaudokite tirpiklių. Įvairūs komerciniai tirpikliai ardo daugelį plastikų. Norėdami nuvalyti purvą, dulkes, tepalus, riebalus ir pan., naudokite švarias šluostas.

PATARIMAI, KAIP GERIAU PJAUTI (N PAV.)

- Pjovimo priedas turi būti lygiagretus žemės paviršiui.
- Žoliapjovės pernelyg neapkraukite. Pjauti turi tik pats lynelio galiukas (ypač pagal sienas). Pjaunant visu lynelio ilgiu sumažėja pjovimo efektyvumas, ir apkrova varikliui gali būti per didelė.
- Pjovimo aukštis priklauso nuo pjovimo lynelio aukščio virš vejos paviršiaus.
- Jeigu žolės aukštis viršija 20 cm, pjauti ją reikia palaipsniui nuo viršaus į apačią, kad lynelis pernelyg greitai nenudiltų ir variklis nestotų.
- Žoliapjovę lėtai stumkite į pjovimo zoną ir traukite atgal, išlaikydami pjovimo galvutę pageidaujama pjovimo aukštyje. Šie judesiai gali būti į priekį ir atgal arba iš vieno į kitą šoną. Pjaunant mažesnio aukščio žolę pasiekiami geresni rezultatai.
- Pjaukite tik sausą žolę.
- Atsitraukę į vielinę ar statinių tvorą lynelis greičiau dyla arba nutrūksta. Lynelis taip pat greitai dyla užkludęs akmenines ar plytų sienas, šaligatvių bortelius ar medžius.
- Pjaudami venkite medžių ir krūmų. Žoliapjovės lynelis gali greitai pažeisti medžių žievę, medienos dirbinius, statinių apdailą ir tvoros stulpus.

Toliau pateiktas N paveiksle parodytų dalių sąrašas:

N-1	Tinkamiausia pjovimo zona	N-2	Pavojinga pjovimo zona
-----	---------------------------	-----	------------------------

PJOVIMO VALO ILGIO REGULIAVIMAS

Operatorius gali pailginti žoliapjovės galvutės pjovimo lynelį nestabdydamas variklio. Pjovimo lyneliui atspurus ar nudilus, daugiau lynelio galima ištraukti nestipriai stuktelėjus ritės laikiklį į žemės paviršius, neišjungiant variklio (O pav.).

PASTABA: Kuo pjovimo valas trumpesnis, tuo sudėtingesnis taps valo pailginimas.

⚠️ ĮSPĖJIMAS: neišimkite ir nekeiskite pjovimo valo nukirtimo peilio konstrukcijos. Per didelio ilgio pjovimo valas gali sukelti variklio perkaitimą ir sunkaus susižalojimo pavojų.

VALO KEITIMAS

PASTABA: visada naudokite rekomenduojamą nailoninį pjovimo lynelį, kurio skersmuo neviršija 2,4 mm. Naudojant kitokį, nei nurodyta, pjovimo lynelį, žoliapjovė gali perkaisti arba sugesti.

⚠️ ĮSPĖJIMAS: niekada nenaudokite lynelio su plienine gysla, vielos, virvės ar pan. Jie gali nutrūkti ir pavojingai nuskriet.

Žoliapjovėje įrangta pažangi automatinė lynelio suvyniojimo sistema. Pjovimo lynelį ant ritės galima suvynioti tiesiog paspaudžiant vieną mygtuką. Paprastai vieną ritę

galima suvynioti per 12 sekundžių. Nevyniokite kelių ričių vieną po kitos, nes galite sugadinti variklį.

1. Išimkite sudėtinę bateriją.
2. Jei reikia, ištraukite likusį pjovimo lynelį. Tiesiog ištraukite jį ranka.
3. Atpjaukite 4 m ilgio pjovimo lynelio atkarpa. Kiškite lynelį į plyšelyje esančią montavimo angą (P pav.), kol jis išlįs priešingoje pusėje.

Toliau pateiktas P paveiksle parodytų dalių sąrašas:

P-1	Pjovimo lynelis	P-3	Plyšelis
P-2	Apatinis dangtelis		

4. Išimkite bateriją, jei ji buvo prijungta prie žoliapjovės ankstesnio žingsnio metu.
5. Traukite lynelį kitoje pusėje, kol abiejose žoliapjovės galvutės pusėse bus vienodas lynelio ilgis (Q pav.).
6. Prijunkite sudėtinę bateriją prie žoliapjovės. Paspauskite ir laikykite nuspaudę lynelio vyniojimo mygtuką, kad įsijungtų lynelio vyniojimo variklis. Lynelis pradės vyniotis ant žoliapjovės galvutės (R pav.).
7. Atidžiai stebėkite likusio lynelio ilgį. Pasiruoškite atleisti mygtuką, kai abiejose pjovimo galvutės pusėse liks apie 18 cm lynelio. Trumpai spustelėkite lynelio vyniojimo mygtuką, kad abiejose galvutės pusėse liktų apie 14 cm lynelio.
8. Norėdami patikrinti, ar tinkamai susuktas pjovimo lynelis, paspauskite žoliapjovės galvutę ir patraukite lynelio galus rankomis, kad jis išlįstų.

PASTABA: jeigu pjovimo lynelį į žoliapjovės galvutę įtrauksite netyčia, atidarykite galvutę ir ištraukite lynelį iš ritės. Kaip pakeisti lynelį, skaitykite šio vadovo skyriuje „PJOVIMO LYNELIO SUTVARKYMAS“.

PJOVIMO LYNELIO SUTVARKYMAS

Jei pjovimo lynelis nutrūksta prie lynelio išleidimo angos arba nepailgėja stuktėlėjus žoliapjovės galvutę į žemę, atliktie šiuos veiksmus, kad ištrauktumėte likusį lynelį ir jį pakeistumėte:

1. Paspauskite dvi žoliapjovės galvutės atkabinimo iškyšas ir galvutę nuimkite, tiesiog ją ištraukdami (S-1 ir S-2 pav.).
2. Ištraukite iš žoliapjovės galvutės pjovimo lynelį ir į apatinio dangtelio plyšį įstatykite spyruoklę (T pav.).
3. Viena ranka prilaikydami žoliapjovę, kita ranka suimkite apatinį dangtelį ir įtaikykite jo angas į atkabinimo iškyšas. Spauskite apatinį dangtelį, kad jis užšifikuotų (turite išgirsti spragtelėjimą) (U pav.).
4. Norėdami pakeisti pjovimo lynelį, laikykitės skyriuje „LYNELIO KEITIMAS“ pateiktų instrukcijų.
Toliau pateiktas S1, T ir U paveiksluose parodytų dalių aprašas:

S1-1	Apatinis dangtelis	U-1	Atkabinimo iškyša
S1-2	Atkabinimo iškyša	U-2	Plyšys
T-1	Spyruoklė		

ŽOLIAPJOVĖS GALVUTĖS KEITIMAS

⚠️ ĮSPĖJIMAS: jeigu pritvirtinta galvutė atspalaiduoja, nedelsdami ją pakeiskite. Niekada nenaudokite žoliapjovės su atspalaidavusiu pjovimo įtaisu. Nedelsdami pakeiskite pjovimo galvutę, jei ji įtrūkusi, pažeista arba susidėvėjusi, net jei tai tik paviršiniai įtrūkimai. Tokie priedai sukdamiesi dideliu greičiu gali subyrėti ir sunkiai sužaloti.

Žoliapjovės galvutės nuėmimas

1. Iš žoliapjovės išimkite sudėtinę bateriją.
2. Paspauskite žoliapjovės galvutės atkabinimo iškyšas ir nuimkite apatinį dangtelį, tiesiog jį ištraukdami (žr. S1 ir S2 pav.).
3. Ištraukite iš žoliapjovės galvutės pjovimo lynelį (V pav.).
4. Jei reikia, išimkite iš ritės spyruoklę. Pasidėkite ją, nes reikės surenkant.
5. Mūvėkite pirštines. Viena ranka prilaikykite ritę, o kita ranka smūginio suktuvo prieš laikrodžio rodyklę atsukite veržlę (W pav.).
6. Nuo variklio veleno nuimkite veržlę, poveržlę, ritę ir viršutinį dangtelį (X pav.).
7. Tinkamomis replėmis nuimkite fiksavimo žiedą. Nuimkite ventiliatorių (Y pav.).

8. Uždėkite naują žoliapjovės galvutę toliau nurodyta tvarka.

Toliau pateiktas W, X ir Y paveiksluose parodytų dalių aprašas:

W-1	Smūginis suktuvas	X-4	Veržlė
X-1	Viršutinis dangtelis	Y-1	Ventiliatorius
X-2	Ritė	Y-2	Fiksavimo žiedas
X-3	Poveržlė		

Naujos žoliapjovės galvutės uždėjimas

1. Įtaikykite ventiliatoriaus raktą plyšį į variklio veleno iškyšą ir pritvirtinkite ventiliatorių (Z pav.).
2. Iš eilės uždėkite fiksavimo žiedą, viršutinį dangtelį, ritę ir poveržlę. Smūginio suktuvo priveržkite veržlę.
3. Apatinį dangtelį uždėkite pagal instrukcijas šio vadovo skyriuje „**PJOVIMO LYNELIO SUTVARKYMAS**“.
4. Pjovimo lynelį pakeiskite pagal instrukcijas šio vadovo skyriuje „**LYNELIO KEITIMAS**“.
5. Paleiskite įrankį ir patikrinkite, ar žoliapjovė tinkamai dirba. Jeigu ne, vėl išardykite ir surinkite, kaip aprašyta pirmiau.

Toliau pateiktas Z paveiksle parodytų dalių sąrašas:

Z-1	Iškyša	Z-2	Rakto plyšys
-----	--------	-----	--------------

TECHNINĖ PRIEŽIŪRA

⚠️ ĮSPĖJIMAS: Atliktami techninės priežiūros darbus, naudokite tik identiškas atsargines dalis. Įrenginį reguliariai apžiūrėkite ir tvarkykite. Norint užtikrinti saugų ir patikimą gaminio naudojimą visus remonto darbus turi atlikti kvalifikuotas techninės priežiūros specialistas.

⚠️ ĮSPĖJIMAS: Baterijų nereikia įjungti į elektros lizdą; jos visada yra darbinės būsenos. Norėdami išvengti rimtų sužalojimų, imkitės papildomų atsargumo priemonių ir būkite atidūs atliktami techninę priežiūrą, aptarnavimą arba keisdami pjovimo įtaisą ar kitus priedus.

⚠️ ĮSPĖJIMAS: kad išvengtumėte rimto susižalojimo, prieš atliktami techninę priežiūrą, valydami žoliapjovę, keisdami priedus arba valydami žolės liukčius, iš įrenginio išimkite sudėtinę bateriją.

ĮRENGINIO VALYMAS

- Įrenginį valykite silpnu plovikliu suvilgyta šluoste.

- Nenaudokite jokių stiprių ploviklių plastikinių korpuso arba rankenos dalių valymui. Aromatinės alyvos (pušies arba citrinų kvapo) ir tirpikliai, pvz., žibalas, gali jas sugadinti. Drėgmė taip pat gali kelti elektros smūgio pavojų. Bet kokią drėgmę nuvalykite minkšta sausa šluoste.
- Naudokite mažą šepetėlį arba mažą dulkių siurblio šepetėlį, kad išvalytumėte variklio korpuso ventiliacines angas.

LYNELIO PJOVIMO PEILIO GALANDIMAS

⚠ ĮSPĖJIMAS: tvarkydami lynelio pjovimo peilį, visada apsaugokite rankas, užsimaudami tvirtas pirštines.

1. Išimkite lynelio pjovimo peilį iš apsaugos.
2. Dėvėkite apsauginius akinius ir pirštines ir saugokitės, kad neįsijautumėte.
3. Priveržkite peilį spaustuvais.
4. Atsargiai pagaląskite peilio ašmenis smulkiagrūde dilde arba šlifavimo akmeniu, išlaikydami pradinį ašmenų kampą.
5. Vėl įstatykite peilį į apsaugą ir priveržkite dviem varžtais.

ĮRENGINIO SANDĖLIAVIMAS

- Kai žoliapjovės nenaudojate, išimkite iš jos sudėtinę bateriją.
- Prieš sandėliavimą kruopščiai nuvalykite įrenginį.
- Įrenginį sandėliuokite sausoje, gerai vėdinamoje, rakinamoje patalpoje arba aukštai, vaikams nepasiekiamoje vietoje. Nelaikykite įrenginio ant arba šalia trašų, benzino arba kitų chemikalų.

Aplinkos apsauga



Neišmeskite elektros įrangos, akumulatoriaus įkroviklio ir baterijų / akumuliatorių su buitinėmis atliekomis!

Pagal Europos Parlamento ir Tarybos direktyvas 2012/19/EB ir 2006/66/EB nenaudojama elektros bei elektronikos įranga ir nenaudojami arba sugedę akumulatoriai ir (arba) baterijos turi būti surenkami atskirai.

Elektros prietaisus užkasus su atliekomis arba išmetus sąvartynuose, pavojingos medžiagos gali patekti į gruntinį vandenį ir į maisto grandinę, taip pakenkti jūsų sveikatai ir gerovei.

TRIKČIŲ DIAGNOSTIKA IR JŲ ŠALINIMAS

PROBLEMA	PRIEŽASTIS	SPRENDIMAS
Žoliapjovės nepavyksta paleisti.	<ul style="list-style-type: none"> ■ Sudėtinė baterija neprijungta prie žoliapjovės. ■ Nėra elektros kontakto tarp žoliapjovės ir baterijos. ■ Sudėtinė baterija visiškai išsikrovusi. ■ Vienu metu nenuspaustas blokavimo mygtukas ir jungiklis. 	<ul style="list-style-type: none"> ■ Prijunkite sudėtinę bateriją akumuliatorių prie vejapjovės. ■ Išimkite sudėtinę bateriją, patikrinkite kontaktus ir vėl įstatykite sudėtinę bateriją. ■ Įkraukite akumuliatorių. ■ Kad paleistumėte žoliapjovę, nuspauskite ir laikykite nuspaudę blokavimo mygtuką, o po to nuspauskite jungiklį.
Žoliapjovė sustoja darbo metu.	<ul style="list-style-type: none"> ■ Nesumontuota žoliapjovės apsaugos priemonė, todėl per ilgą pjovimo valas perkrauna variklį. ■ Naudojamas per tvirtas pjovimo valas. ■ Ant variklio veleno arba žoliapjovės galvutės apsvyniojusi žolė. ■ Perkrautas variklis. ■ Sudėtinė baterija arba žoliapjovė yra per daug įkaitusios. ■ Sudėtinė baterija yra atjungta nuo įrenginio. ■ Sudėtinė baterija visiškai išsikrovusi. 	<ul style="list-style-type: none"> ■ Išimkite sudėtinę bateriją ir sumontuokite žoliapjovės apsaugos priemonę. ■ Naudokite rekomenduojamą nailoninį pjovimo lynelį, kurio skersmuo ne didesnis kaip 2,4 mm. ■ Sustabdykite žoliapjovę, išimkite sudėtinę bateriją, tada pašalinkite žolę nuo variklio veleno arba žoliapjovės galvutės. ■ Pašalinkite žolę nuo žoliapjovės galvutės. Kai tik bus pašalinta apkrova, variklis pradės veikti kaip įprasta. Pjaudami judinkite pjovimo galvutę link ir nuo pjaunamos žolės, bei vienu kartu nenuėjaukite daugiau kaip 20 cm. ■ Leiskite sudėtinei baterijai arba žoliapjovei atvėsti, iki temperatūra nukris žemiau 67°C. ■ Vėl įstatykite akumuliatorių. ■ Įkraukite sudėtinę bateriją.

PROBLEMA	PRIEŽASTIS	SPRENDIMAS
Žoliapjovės galvutė nepadauda pjovimo valo.	<ul style="list-style-type: none"> Ant variklio veleno arba žoliapjovės galvutės apsvyniojusi žolė. Ritės laikiklyje nepakanka lynelio. Purvina žoliapjovės galvutė. Lynelis susinarpliojo ritės laikiklyje. Pjovimo valas per trumpas. 	<ul style="list-style-type: none"> Sustabdykite žoliapjovę, išimkite sudėtinę bateriją, tada pašalinkite žolę nuo variklio veleno arba žoliapjovės galvutės. Išimkite sudėtinę bateriją ir pakeiskite pjovimo valą; vadovaukitės šio vadovo skyriumi „VALO KEITIMAS“. Išimkite bateriją ir išvalykite ritės laikiklį ir ritės pagrandą. Išimkite bateriją, nuvyniokite pjovimo lynelį nuo ritės laikiklio ir vėl jį užvyniokite; vadovaukitės šio vadovo skyriumi „LYNELIO KEITIMAS“. Išimkite bateriją ir traukite pjovimo lynelio galus į priešingas puses, spaudžiodami ir atleisdami žoliapjovės galvutę.
Žolė apsvynioja aplink žoliapjovės galvutę ir variklio korpusą.	<ul style="list-style-type: none"> Aukštą žolę pjaukite palei žemę. 	<ul style="list-style-type: none"> Kad išvengtumėte žolės apsvyniojimo Aukštą žolę pjaukite iš viršaus į apačią, vienu kartu nupjaudami ne daugiau kaip 20 cm.
Peilis nenujauna lynelio.	<ul style="list-style-type: none"> Atšipo pjovimo valo nukirtimo peilis, esantis ant apsaugos priemonės krašto. 	<ul style="list-style-type: none"> Valo nukirtimo peilį pagalaukite dilde arba pakeiskite nauju peiliu.
Žoliapjovės galvutės įtrūkimai arba ritės laikiklis atsikabino nuo ritės pagrindo.	<ul style="list-style-type: none"> Sudilio žoliapjovės galvutė. 	<ul style="list-style-type: none"> Žoliapjovės galvutę turi nedelsiant pakeisti kvalifikuotas techninės priežiūros specialistas.
Keičiant lynelį neįmanoma tinkamai jo suvynioti žoliapjovės galvutėje.	<ul style="list-style-type: none"> Ritės laikiklio „LOAD“ linija nesutampa su ritės pagrindo plyšeliais. Pjovimo lynelis netinkamai įkištas į plyšelyje esančią montavimo kiaurymę. 	<ul style="list-style-type: none"> Pasukite ritės laikiklį rodyklės kryptimi taip, kad sutaptumėte ritės laikiklio „LOAD“ linijas su ritės pagrindo plyšeliais. Pirmiau sutaptinkite „LOAD“ linijas su plyšeliais, o po to įkiškite lynelį į plyšelyje esančią montavimo kiaurymę.

GARANTIJA

EGO GARANTINIS POLISAS

Norėdami sužinoti visas „EGO“ garantinio poliso sąlygas, apsilankykite interneto svetainėje egopowerplus.com.

TIZLASIET VISUS NORĀDĪJUMUS!



SKAITYTI OPERATORIAUS VADOVA

⚠ Atlikušā sprieguma apdraudējums! Cilvēkiem, kuri izmanto elektroniskas ierīces, piemēram, elektrokardiostimulatorus, pirms šīs ierīces lietošanas jāsasīnās ar savu ārstejošo ārstu. Elektroierīču darbība tuvu elektrokardiostimulatoram var izraisīt traucējumus vai tā atteici.

⚠ BRĪDINĀJUMS. Lai garantētu drošību un uzticamību, ierīces remontu un tās detaļu nomaiņu veikt drīkst tikai kvalificēts apkopes tehniķis.

DROŠĪBAS APZĪMĒJUMI

Drošības apzīmējumu nolūks ir pievērst uzmanību iespējamiem apdraudējumiem. Drošības apzīmējumiem un to skaidrojumiem jāpievērš īpaša uzmanība, un tie pilnībā jāizprot. Apzīmējumu brīdinājumi paši par sevi nenovērš apdraudējumu. Apzīmējumos iekļautie norādījumi un brīdinājumi neaizstāj atbilstošus darba drošības pasākumus.

⚠ BRĪDINĀJUMS. Pirms šī darbarīka lietošanas noteikti izlasiet un izprotiet visus šajā lietošanas rokasgrāmatā iekļautos norādījumus, tostarp visus drošības brīdinājumu apzīmējumus, piemēram, „**BĪSTAMI**”, „**BRĪDINĀJUMS**” un „**UZMANĪBU!**”. Neievērojot tālāk uzskaitītos norādījumus, var rasties elektrotrauma, aizdegšanās un/vai smaga trauma.

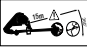






APZĪMĒJUMA NOZĪME

DROŠĪBAS BRĪDINĀJUMA APZĪMĒJUMS: Atbilst norādei **BĪSTAMI**, **BRĪDINĀJUMS** vai **UZMANĪBU!** Var tikt izmantots kopā ar citiem apzīmējumiem un piktogrammām.

DROŠĪBAS NORĀDĪJUMI

Šajā lappusē ir parādīti un aprakstīti drošības apzīmējumi, kas var atrasties uz izstrādājuma. Pirms ierīces salikšanas un lietošanas izlasiet, izprotiet un izpildiet visus norādījumus.

	Drošības brīdinājums	Norāda uz iespējamu ievainojumu gūšanas risku.
	Izlasiet lietošanas rokasgrāmatu	Lai mazinātu traumu rašanās bīstamību, pirms šī izstrādājuma lietošanas tā lietotājam jāizlasa un jāizprot operatora rokasgrāmata.
	Lietojiet aizsargbrilles	Šī izstrādājuma darbināšanas laikā vienmēr valkājiet aizsargbrilles vai aizsargbrilles ar sānu aizsargiem un pilnu sejas aizsargmasku.
	Lietojiet dzirdes aizsarglīdzekļus	Vienmēr valkājiet trokšņu slāpētājus (ausu ieliktnus vai kašņē), lai aizsargātu dzirdi.
	Griešanas platums	Maksimālais auklas trimmera griešanas platums
	Auklas diametrs	Neilona griešanas auklas diametrs
	Lietot galvas aizsarglīdzekļus	Valkājiet apstiprinātu cieto aizsargcepurī, lai pasargātu savu galvu.
	Lietot aizsargcimdus	Darbojoties ar asmeni vai asmens aizsargu, sargājiet savas rokas, valkājot cimdus. Izturīgi un neslidoši aizsargcimdi palīdz iegūt labāku satvērienu un aizsargāt jūsu rokas.
	Valkāt drošības apavus	Lietojot šo aprīkojumu, valkājiet drošības apavus ar neslidošu zoli.
	Uzmanību, asmens atsitiena risks!	Brīdiniet operatoru par asmens atsitiena briesmām.
	Atsitiena risks! un Neļaut tuvoties nepiederošām personām!	Lidojoši priekšmeti var atsitīties un radīt miesas bojājumus vai kaitējumu īpašumam. Lietojot krūmgriezi, sekojiet, lai citi cilvēki un mājdzīvnieki neatrastos tā tuvumā.

	Neļaut tuvoties nepiederošām personām!	Lietojot auklas trimeri, sekojiet, lai citi cilvēki un mājdzīvnieki atrodas vismaz 15 m attālumā no tā.
	Nav paredzēts izmantot apaļās formas asmeni	Neuzstādiet apaļās formas griešanas asmeņus.
	Sargāt no lietus	Neizmantojiet lietū vai neatstājiet ārā, kamēr list lietus.
	CE	Šis izstrādājums atbilst piemērojamām EK direktīvām.
	EEIA	Elektrisko izstrādājumu atkritumus nedrīkst izmest kopā ar sadzīves atkritumiem. Nogādāt uz pilnvarotu pārstrādes punktu.
	Troksnis	Garantētais akustiskās jaudas līmenis. Trokšņa emisija vidē atbilstoši Eiropas Kopienas direktīvai.
V	Volti	Minūtē
	Līdzstrāva	Strāvas veids vai raksturlielumi
n_0	Ātrums bez slodzes	Griešanas ātrums bez slodzes
min ⁻¹	Minūtē	Apgriezieni minūtē

VISPĀRĒJIE ELEKTROINSTRUMENTA DROŠĪBAS BRĪDINĀJUMI

⚠ BRĪDINĀJUMS! Izlasiet visus ar šo elektroinstrumentu saistītos drošības brīdinājumus, norādījumus, specifikācijas un aplūkojiet attēlus. Visu turpmāk uzskaitīto norādījumu neievērošana var izraisīt elektriskās strāvas triecienu, ugunsgrēku un/vai nopietnas traumas.

Saglabājiet visus brīdinājumus un instrukcijas turpmākai atsaucei.

Brīdinājumos lietotais termins „elektroinstrumenti” attiecas uz elektriski darbināmu instrumentu, kura barošana nodrošina elektrotīkls (ar elektrokabeli) vai akumulators (bez elektrokabeļa).

DROŠĪBA DARBA ZONĀ

- Uzturiet darba zonu tīru un labi apgaismotu. Nesakārtotā un slikti apgaismotā darba zonā var notikt nelaimes gadījumi.
- Nedarbiniet elektroinstrumentu sprādzienbīstamā vidē, piemēram, viegli uzliesmojošu šķidrums, gāzu vai putekļu klātbūtnē. Elektroinstrumenti rada dzirksteles, kas var aizdedzināt putekļus vai izgarojumu tvaikus.
- Neļaujiet bērniem un klātesošajiem atrasties elektroinstrumenta tuvumā, kamēr tas darbojas. Apjukuma brīdī Jūs varat zaudēt vadību pār griezējinstrumentu.

PERSONISKĀ DROŠĪBA

- Darbinot elektroinstrumentu, esiet modri, pievērsiet uzmanību tam, ko Jūs darāt, un rīkojieties ar to saprātīgi. **Nelietojiet elektroinstrumentu, ja esat noguris, atrodaties apreibinošo vielu vai alkohola iedarbībā vai lietojat medikamentus.** Pat viens mirklis neuzmanības elektroinstrumenta lietošanas laikā var kļūt par cēloni nopietnām traumām.
- Izmantojiet individuālos aizsarglīdzekļus. Vienmēr valkājiet acu aizsarglīdzekļus. Ja tiek lietots darba specifiskai atbilstošs aizsargaprīkojums, piemēram, maska ar putekļu filtru, nesliedīši darba apavi, ķivere vai austiņas, samazinās traumu gūšanas risks.
- Novērsiet nejaūšas ieslēgšanās iespējamību. Pirms instrumenta pievienošanas strāvas avotam un/vai akumulatoram pārliecinieties, vai slēdzis atrodas izslēgtā stāvoklī. Elektroinstrumentu pārvietošana, turot pirkstu uz slēdža, vai strāvas padeve elektroinstrumentiem, kuru slēdzis atrodas ieslēgtā stāvoklī, palielina negadījumu risku.
- Pirms elektroinstrumenta ieslēgšanas izņemiet visas noregulēšanas vai uzgriežņu atslēgas. Regulēšanas instruments vai atslēga, kas palikusi elektroinstrumenta rotējošās daļās, var izraisīt traumas.
- Nepārvērtējiet savas spējas. Ieņemiet stabili pozu un vienmēr saglabājiet līdzsvaru. Tādējādi Jūs varēsiet labāk apvaldīt elektroinstrumentu negadītās situācijās.
- Valkājiet atbilstošu apģērbu. Nevalkājiet vaļīgu apģērbu vai rotaslietas. Sargājiet matus, apģērbu un cimdus no kustīgajām daļām. Vaļīgs apģērbs, rotaslietas vai gari mati var iekļerties ierīces kustīgajās daļās.
- Ja ierīces ir paredzētas savienošanai ar putekļu nosūkšanas un savākšanas iekārtām, pārliecinieties, vai tās ir pieslēgtas un tiek izmantotas pareizi. Putekļu savākšanas iekārtu izmantošana var samazināt ar putekļiem saistītos apdraudējumus.

- **Nepieļaujiet, ka šī instrumenta bieža lietošana varētu izraisīt nevērīgu attieksmi darbā ar to, un neignorējiet ar instrumenta lietošanu saistītos drošības principus.** Viens brīdis neuzmanības var izraisīt nopietnas traumas.

ELEKTROINSTRUMENTA LIETOŠANA UN APKOPE

- **Nepārslodējiet elektroinstrumentu.** Lietojiet attiecīgajam darbam piemērotāko elektroinstrumentu. Piemērots elektroinstruments labāk un drošāk spēs izpildīt veicamo darbu, darbojoties tam paredzētajā ātrumā.
- **Nelietojiet elektroinstrumentu, ja ar slēdzi to nav iespējams ieslēgt un izslēgt.** Ja elektroinstrumentu nav iespējams ieslēgt un izslēgt ar slēdzi, tas ir bīstams, tāpēc nekavējoties jāsalabo.
- **Ja elektroinstrumenti kādu laiku netiek lietoti, uzglabājiet tos bērniem nepieejamā vietā un neļaujiet ar elektroinstrumentu darboties personām, kas instrumentu nepārzina vai nav izlasījušas šīs instrukcijas.** Nemākulīgās rokās nonākuši elektroinstrumenti ir potenciāls briesmu avots.
- **Veiciet elektroinstrumentam un piederumiem apkopi.** Pārbaudiet, vai ir pareizi uzstādītas kustīgās daļas un vai tās neķeras, un vai elektroinstrumenta daļām nav bojājumu, kas var negatīvi ietekmēt tā darbību. Bojāts elektroinstruments ir jāsalabo pirms nākamās lietošanas reizes. Daudzu negadījumu cēlonis ir sliktā stāvoklī esošu elektroinstrumentu izmantošana.
- **Griezējinstrumentiem jābūt asiem un tīriem.** Rūpīgi kopti griezējinstrumenti retāk iestrēgst un ir vieglāk vadāmi.
- **Lietojiet elektroinstrumentu, tā piederumus un maināmos instrumentus, kā arī citus saistītos elementus atbilstoši šiem norādījumiem, ņemot vērā darba apstākļus un veicamo uzdevumu.** Elektroinstrumenta lietošana neparedzētiem mērķiem var radīt bīstamu situāciju.
- **Rokturiem un satveršanas daļām jābūt sausiem, tīriem un uz tiem nedrīkst būt eļļa vai smērviela.** Ja rokturi un satveršanas daļas ir mitras, tās slīdēs, un ar instrumentu vairs nebūs droši strādāt, kā arī apvaldīt neparedzētu apstākļu gadījumos.
- **Kabeļiem jāatrodas drošā attālumā no instrumenta darba zonas.** Darba laikā kabeļi var nemanāmi savīties un tikt nejausi pārgriezti ar instrumentu.

AKUMULATORA LIETOŠANA UN APKOPE

- **Uzlādējiet instrumentu tikai ar ražotāja noteikto lādētāju.** Lādētājs, kas paredzēts lietošanai tikai ar viena veida akumulatoru bloku, var radīt ugunsgrēka draudus, ja to izmanto kopā ar citu akumulatoru bloku.

- **Lietojiet elektroinstrumentus kopā tikai ar tiem paredzētiem akumulatoru blokumiem.** Jebkura cita akumulatoru bloka lietošana var radīt traumu gūšanas un ugunsgrēka risku.
- **Kad akumulatoru bloks netiek izmantots, neglabājiet to citu metāla priekšmetu, piemēram, papīra saspaužu, monētu, atslēgu, naglu, skrūvju vai citu sīku metāla priekšmetu, kas var veidot savienojumu starp spailēm, tuvumā.** Akumulatora spaiļu īsslēgums var izraisīt aizdegšanos vai ugunsgrēku.
- **Nepareizas rīcības gadījumā no akumulatora var izšķlūt šķidrums; izvairieties no saskares ar to.** Ja tas nejausi nokļuvis uz ādas, noskalojiet ar ūdeni. Ja šķidrums iekļuvis acīs, nekavējoties meklējiet medicīnisko palīdzību. No akumulatora izkļuvušais šķidrums var izraisīt kairinājumu vai apdegumus.
- **Nelietojiet bojātu vai pārveidotu akumulatoru bloku vai instrumentu.** Bojātu vai pārveidotu akumulatoru izmantošana var izraisīt neparedzamus apstākļus, kas rada aizdegšanās, sprādziena vai traumas gūšanas draudus.
- **Nepakļaujiet akumulatoru bloku vai instrumentu uguns liesmu vai pārmērīgas temperatūras iedarbībai.** Uguns liesmu iedarbība vai temperatūra virs 100 °C var izraisīt sprādzienu.
- **Izpildiet visas uzlādēšanas instrukcijas un neuzlādējiet akumulatoru bloku vai instrumentu ārpus instrukcijās norādītajām temperatūras vērtībām.** Ja instruments tiek uzlādēts nepareizi vai tiek pārsniegtas instrukcijās norādītās uzlādēšanas temperatūras vērtības, akumulators var sabojāties un palielināt aizdegšanās risku.

APKOPE

- Elektroinstrumenta remontdarbus drīkst veikt tikai kvalificēts speciālists, izmantojot tikai oriģinālās rezerves daļas. Tādējādi tiks garantēts elektroinstrumenta lietošanas drošums.
- Nekad neveiciet bojātam akumulatoru blokam remontdarbus pašrocīgi. Bojāta akumulatoru bloka remontdarbus drīkst veikt tikai ražotājs vai pilnvaroti servisa darbinieki.

⚠ BRĪDINĀJUMS! Izlasiet visus ar šo elektroinstrumentu saistītos drošības brīdinājumus, norādījumus, specifikācijas un aplūkojiet attēlus. Visu turpmāk uzskaitīto norādījumu neievērošana var izraisīt elektriskās strāvas triecienus, aizdegšanos un/vai nopietnas traumas. Saglabājiet visus brīdinājumus un instrukcijas turpmākai atsaucēi.

SAGLABĀJIET VISUS BRĪDINĀJUMUS UN INSTRUKCIJAS TURPMĀKAI ATSAUCEI.

INSTRUMENTA LIETOŠANAS APGŪŠANA

- Rūpīgi izlasiet instrukcijas. Iepazīstieties ar instrumenta vadības elementiem un pareizu lietošanu.
- Nekad neļaujiet cilvēkiem, kuri nav iepaziņšies ar šīm instrukcijām, kā arī bērniem, lietot šo instrumentu. Vietējie noteikumi var ierobežot instrumenta lietotāja vecumu.
- Ņemiet vērā, ka instrumenta lietotājs vai operators ir atbildīgs par negadījumiem vai apdraudējumiem, kas var rasties citiem cilvēkiem vai tīpašumam.

SAGATAVOŠANĀS DARBAM

- Nelietojiet instrumentu, ja tuvumā ir cilvēki, it īpaši bērni vai mājdzīvnieki.
- Izmantojot instrumentu, vienmēr lietojiet acu aizsarglīdzekļus un izturīgus apavus.
- Attālumam starp instrumentu un tuvumā esošām nepiederošām personām jābūt vismaz 15 m.
- Nedarbināt instrumentu, ja operators ir noguris, saslimis vai atrodas alkohola vai citu apreibinošu vielu ietekmē.

EKSPLUATĀCIJA

- Lietojiet instrumentu tikai dienas laikā vai labā mākslīgā apgaismojumā.
- Nekādā gadījumā neizmantojiet instrumentu ar bojātiem aizsargiem vai pārsegumiem vai bez aizsargiem un pārsegumiem.
- Iedarbiniet motoru tikai tad, ja rokas un kājas neatrodas griezējelementu tuvumā.
- Vienmēr atvienojiet instrumentu no barošanas avota (proti, izņemiet akumulatoru bloku) šādos gadījumos:
 - atstājot instrumentu bez uzraudzības;
 - pirms nosprostošanas iztīrīšanas;
 - pirms veicat instrumentam pārbaudes, tīrīšanas vai apkopes darbus;
 - pēc elektroinstrumenta sadursmes ar svešķermeni;
 - ja instruments sāk neparasti vibrēt.
- Nepieļaujiet traumu rašanos, kājām un rokām saskaroties ar griezējelementiem.
- Gādājiet, lai ventilācijas atverēs nebūtu grūžu.

APKOPE UN UZGLABĀŠANA

- Pirms instrumenta apkopes vai tīrīšanas darbu veikšanas atvienojiet to no barošanas avota (proti, izņemiet akumulatoru bloku).
- Izmantojiet tikai ražotāja ieteiktās rezerves daļas un piederumus.

- Regulāri pārbaudiet instrumentu un veiciet tam apkopi. Uziciet instrumenta remontdarbus tikai pilnvarotam remonta tehnikim.
- Ja instrumentu nelietojat, novietojiet to bērniem neaizsniežamā vietā.

CITI DROŠĪBAS BRĪDINĀJUMI

- Izvairieties no bīstamas vides — nelietojiet instrumentu mitrās vai slapjās vietās slīpumā.
- Aizsargiem jābūt uzstādītiem tiem paredzētajās vietās un jābūt labā darba stāvoklī.
- Neturiet rokas un kājas griešanas zonā.
- Lai mazinātu traumu rašanās iespējamību, nekādā gadījumā neestrādājiet, stāviet uz trepēm vai uz cita nedroša balsta. Nekad neturiet griešanas ierīci augstāk par ķermeņa vidukli.
- Darbarīka lietošanas laikā regulāri pārbaudiet griešanas ierīci vai arī dariet to uzreiz, līdzko konstatējat būtiskas izmaiņas griešanas darbībā.
- Lai sasniegtu vislabākos rezultātus, uzlādējiet akumulatoru vietā, kur temperatūra ir augstāka par 5 °C un zemāka par 40 °C. Neuzglabājiet to ārpus telpām vai transportlīdzeklī.
- Ja strādājot ar ierīci kāds jums tuvojas, apturiet motoru un griešanas ierīci.
- Brīdiniet operatoru par briesmām, ko var radīt asmens atsiens (tikai griežot ar 3 zobu asmeni).
 - Asmens atsiens var rasties, ja rotējošs asmens saskaras ar priekšmetu, ko tas uzreiz nesagriež.
 - Asmens atsiens var būt pietiekami spēcīgs, lai pagrūstu ierīci un/vai operatoru jebkurā virzienā, un, iespējams, zaudētu vadību pār ierīci.
 - Asmens atsiens var atgadīties pēkšņi, ja asmens ieķeras, saķeras vai apstājas motors.
 - Asmens atsiens biežāk rodas zonās, kur ir grūti saskatīt zāgējamo materiālu.
- Nepiestipriniet asmeni pie ierīces, ja nav atbilstoši uzstādītas visas nepieciešamās detaļas. Ja netiek izmantotas atbilstošas detaļas, asmens var nokrist no ierīces un nopietni savainot operatoru un/vai apkārtējos cilvēkus. Atbrīvojieties no asmeņiem, kas jebkāda veidā ir saliekti, likumaini, iekļausījuši, salūzuši vai sabojāti. Izmantojiet asu asmeni. Neass asmens var ieķerties un izraisīt atsienu (tikai griežot ar 3 zobu asmeni).
- Kustīgs asmens / aukla, kas pēc motora apturēšanas vai sprūda atlaišanas turpina griezties, var radīt traumas. Nenovērsiet uzmanību no asmens / auklas, līdz tie nav pilnībā pārstājuši griezties.

- Izmantojiet tikai A attēlā uzskaitītos akumulatora blokus un lādētājus.
- Akumulatora darbarīkus nav nepieciešams pieslēgt elektrotīklam, tādēļ tie vienmēr ir darbības stāvoklī. Pat, ja darbarīks nedarbojas, vienmēr sargieties no iespējama apdraudējuma. Ievērojiet piesardzību, veicot apkopes vai uzturēšanas darbus.
- **Nemazgājiet ar šūteni; nepieļaujiet ūdens iekļūšanu motorā un elektriskajos savienojumos.**
- **Gadījumos, kas nav aprakstīti šajā rokasgrāmatā, esiet uzmanīgi un rīkojieties prātīgi. Lai saņemtu palīdzību, sazinieties ar EGO klientu apkalpošanas centru.**

SAGLABĀJIET ŠOS NORĀDĪJUMUS!

SPECIFIKĀCIJAS

Spriegums	56 V	
Ātrums bez slodzes	4000-5800 /min	
Griešanas mehānisms	Piespiežamā galva	
Griešanas auklas veids	2,4 mm neilona griezējaukļa	
Griešanas platums	38 cm	
Ieteicamā darba temperatūra	0°C-40°C	
Ieteicamā uzglabāšanas temperatūra	-20°C-70°C	
Svars (bez akumulatoru bloka)	3,2 kg	
Izmērītāis skaņas jaudas līmenis L_{WA}	92,6 dB(A) K=0,8 dB(A)	
Skaņas spiediena līmenis pie lietotāja auss L_{PA}	72,6 dB(A) K=2,5 dB(A)	
Garantētais skaņas intensitātes līmenis L_{WA} (saskaņā ar 2000/14/EK)	93 dB(A)	
Vibrācija a_n	Priekšējais palīgrokturis	3,5 m/s ² K=1,5 m/s ²
	Aizmugurējais rokturis	2,1 m/s ² K=1,5 m/s ²

- Norādītā kopējā vibrācijas vērtība tika mērīta saskaņā ar parasto mērīšanas paņēmieni; tā var tikt izmantota darbarīku salīdzināšanai.
- Norādīto kopējo vibrācijas vērtību var izmantot arī sākotnējai ietekmes izvērtēšanai.

- **PIEZĪME:** Vibrācijas līmenis mehanizētā darbarīka lietošanas laikā var atšķirties no norādītās vērtības, ar kādu tiek lietots darbarīks. Lai aizsargātu operatoru, jāizmanto cimdi un dzirdes aizsarglīdzekļi.

KOMPLEKTĀCIJA

DAĻAS NOSAUKUMS	SKAITS
Auklas trimmeris	1
Aizsargs	1
Priekšējā palīgroktura mezgls	1
Plecu sikсна	1
sešstūru uzgriežņu atslēga	1
Lietošanas rokasgrāmata	1
Griezējaukļa	1

APRAKSTS

IEPAZĪSTIET AUKLAS TRIMMERI (A att.)

1. Aizmugurējais rokturis
2. Ieslēgšanas slēdzis
3. Bloķēšanas poga
4. Regulējams priekšējais palīgrokturis
5. Plecu sikсна
6. Vārpsta
7. Aizsargs
8. Akumulatora atbrīvošanas poga
9. Slēgmehānisms
10. Elektriskie kontakti
11. Izsviešanas mehānisms
12. Trimmera galva (piespiežamā galva)
13. Auklas uztīšanas poga
14. Griezējaukļa
15. Atlaišanas izcilnis
16. Auklas griezējasmens
17. Sešstūra uzgriežņu atslēga

MONTĀŽA

⚠ BRĪDINĀJUMS. Ja kāda no daļām trūkst vai ir bojāta, nelietojiet šo izstrādājumu, līdz daļas ir nomainītas. Izmantojot šo izstrādājumu, ja trūkst kāda no daļām vai arī tā ir bojāta, var rasties smagas traumas.

⚠ BRĪDINĀJUMS. Nemēģiniet pārveidot šo izstrādājumu vai pievienot piederumus, kuru izmantošana šajā auklas trimērī nav ieteicama. Jebkādas šādas izmaiņas vai pārveidojumi ir ierīces neatbilstoša lietošana un var izraisīt bīstamu situāciju un smagu traumu.

⚠ BRĪDINĀJUMS. Lai nepieļautu nejaušu darbarīka ieslēgšanos (kas var radīt smagas traumas), saliekot to, vienmēr izņemiet no darbarīka akumulatora bloku.

AIZSARGA UZSTĀDĪŠANA

⚠ BRĪDINĀJUMS. Uzstādot vai nomainot aizsargu, vienmēr valkājiet cimdus. Sargieties no asmeņiem, kas atrodas uz aizsarga, un aizsargājiet rokas pret sagriešanu.

⚠ BRĪDINĀJUMS. Nekādā gadījumā nelietojiet darbarīku, ja tam nav uzstādīts aizsargs. Aizsargam vienmēr jāatrodas uz darbarīka, lai aizsargātu lietotāju! Kad aizsargs ir piestiprināts, nekad nemēģiniet to noņemt vai regulēt; ja aizsargs ir jānomaina, nogādājiet to kvalificētam apkopes tehnikam!

Salāgojiet abas aizsargā esošās bultskrūves ar abiem vārpstas skrūvju caurumiņiem (B att.), un pēc tam pieskrūvējiet ar komplektā iekļauto sešstūra uzgriežņu atslēgu (C att.).

Pārliecinieties, vai aizsargs ir piestiprināts pareizi tā, kā norādīts B un C attēlos; nepareizi uzstādīts aizsargs ir ļoti bīstams!

PIEKŠĒJĀ PALĪGROKTURA UZSTĀDĪŠANA UN REGULĒŠANA

Uzlieciet priekšējo palīgrokturi uz vārpstas (E. att.), pēc tam roktura atverē ievietojiet stiprinājuma bloku (F att.), uzstādiert fiksācijas stieni un nostipriniet detaļas ar spārnuzgriezni (G att.). Secība ir parādīta D attēlā. Visbeidzot noregulējiet priekšējo palīgrokturi starp mikro uznavu un plāksnīti tā, lai roka, kura atrodas priekšpusē trimmera lietošanas laikā, būtu izstiepta (H att.), pēc tam nostipriniet sviru ar fiksācijas stieni (I att.).

Zemāk norādīts D un H attēla detaļu apraksts:

D-1	Priekšējais palīgrokturis	D-4	Spārnuzgrieznis
-----	---------------------------	-----	-----------------

D-2	Fiksācijas stienis	H-1	Mikstā uznavu
D-3	Stiprinājuma bloks	H-2	Brīdinājuma plāksnīte

PIEZĪME! Priekšējam palīgrokturim jābūt pagrieztam uz augšu tā, lai tas būtu vērstis iepretim aizmugurējā roktura augšējai daļai.

⚠ BRĪDINĀJUMS. Pielāgot priekšējo palīgrokturi tikai starp mikro uznavu un plāksnīti uz vārpstas.

⚠ BRĪDINĀJUMS. Neizmantojiet darbarīku bez piestiprināta priekšējā palīgroktura.

PLECU SIKSNAS PIESTIPRINĀŠANA

1. Atskrūvējiet un izņemiet no siksnas āķa bultskrūvi (J1 un J2 att.).
2. Piestipriniet āķi pie vārpstas, kā tas parādīts J3 attēlā, un pieskrūvējiet to ar skrūvi (J4 att.).

⚠ BRĪDINĀJUMS. Siksnas āķi nostipriniet tikai vietā starp korpusu un trimmera kāta mikro uznavu.

LIETOŠANA

⚠ BRĪDINĀJUMS. Iepazīstot darbu ar šo ierīci, nekļūstiet nolaidīgs. Atcerieties, ka neuzmanība sekundes daļā var radīt smagu traumu.

⚠ BRĪDINĀJUMS. Vienmēr kopā ar dzirdes aizsarglīdzekļiem valkājiet arī aizsargbrilles vai drošības brilles ar sānu aizsargiem. Šo noteikumu neievērošanas rezultātā acis var nonākt svešķermeņi vai arī jūs varat gūt citas smagas traumas.

⚠ BRĪDINĀJUMS. Nelietojiet pierīces vai piederumus, ko nav ieteicis šī izstrādājuma ražotājs. Izmantojot citas pierīces vai piederumus, var rasties smaga trauma.

⚠ BRĪDINĀJUMS. Lai izvairītos no smagām traumām, pirms trimmera apkopes, tīrīšanas, papildierīču nomaiņas vai nogrieztā materiāla izņemšanas izņemiet no tā akumulatoru bloku.

Šo izstrādājumu var lietot tālāk norādītajiem nolūkiem.

Apgriešana: izmantojiet zāles un nezāļu nogriešanai pie sienām, žogiem, kokiem un apmalēm.

Griešana: lietojiet zāles nogriešanai vietās, kur ir grūti piekļūt ar parastu zāles pļāvēju jeb pļaujmašīnu.

PIEZĪME: Darbarīku drīkst izmantot tikai aprakstītajam

nolūkam. Citu veidu lietošana, piemēram, dzīvžogu apgriešanai, tiks uzskatīta par nepareizu lietošanu.

AKUMULATORU BLOKA PIEVIENOŠANA/ NOŅĒMŠANA

PIEZĪME! Lai nodrošinātu labāku līdzsvaru, lietojot BA3360/BA4200/BA4200T/BA5600T akumulatorus, izmantojiet tos kopā ar mugursomas tipa drošības aprīkojumu (BH1000).

Pirms akumulatora lietošanas pilnībā uzlādējiet to.

Piestiprināšana

Salāgojiet akumulatora izciļņus ar stiprinājuma rievām un iespiediet akumulatoru bloku, līdz ir dzirdama „klikšķa” skaņa (K2 att.).

Noņemšana

Nospiediet akumulatora atbrīvošanas pogu un izvelciet akumulatoru bloku tā, kā tas parādīts L attēlā.

Zemāk norādīts K1 un K2 attēla detaļu apraksts:

K-1	BA3360/BA4200/ BA4200T/BA5600T akumulatoru bloks	K-4	Slēgmehānisms
K-2	Adapteris	K-5	Akumulatora ievietošanas ligzda
K-3	Mugursomas tipa drošības aprīkojums		

AUKLAS TRIMMERA TURĒŠANA

BRĪDINĀJUMS. Ģērbieties atbilstīgi, lai mazinātu traumu rašanās draudus, lietojot šo darbarīku. Nevalkājiet vaļīgas drēbes un rotaslietas. Izmantojiet acu un dzirdes aizsarglīdzekļus. Valkājiet izturīgas, garas bikses, apavus un cimdus. Nevalkājiet īsas bikses, sandales; neejiet basām kājām.

Sākot darbu, satveriet trimmeri ar abām rokām — novietojiet vienu roku uz aizmugurējā roktura un otru, taisni izstieptu — uz priekšējā palīgroktura (M att.). Pēc tam ieņemiet stabilu stāju un ievērojiet pareizu griešanas attālumu.

PIEZĪME! Trimmera galvai ir jāatrodas paralēli zemes virsmai atbilstošā griešanas augstumā un operatora augums nedrīkst būt saliekts.

AUKLAS TRIMMERA IEDARBINĀŠANA/ APTURĒŠANA

Iedarbināšana

Nospiediet atbloķēšanas pogu un pēc tam nospiediet iedarbināšanas slēdzi. Griezējauklas rotācijas ātrums ir atkarīgs no spēka, ar kādu tiek nospiests iedarbināšanas slēdzis. Jo lielāks spiediens, jo ir lielāks rotācijas ātrums.

Apturēšana

Atlaidiet atbloķēšanas pogu un iedarbināšanas slēdzi.

PIEZĪME! Motors darbojas tikai tad, ja vienlaicīgi ir nospiesta atbloķēšanas pogu un iedarbināšanas slēdzis.

BRĪDINĀJUMS. Darba pārtraukumus un pēc darba vienmēr izņemiet no auklas trimera akumulatora bloku.

AUKLAS TRIMERA LIETOŠANA

BRĪDINĀJUMS. Lai nepieļautu smagas traumas rašanos lietojot šo ierīci, vienmēr izmantojiet brilles vai aizsargbrilles. Puteklāinā vidē lietojiet sejas vai putekļu masku.

Pirms trimera lietošanas atīrriet apstrādājamo vietu. Savāciet akmeņus, stikla lauskas, naglas, vadus vai auklas, kas var tikt izviestas vai iekļūt griešanas pierīcē. Nepieļaujiet bērnu, citu personu un mājdzīvnieku atrašanos darba vietā. Sekojiet, lai bērni, citas personas un mājdzīvnieki atrastos vismaz 15 m attālumā; vēl arvien pastāv apdraudējums, ko rada izviesti objekti. Sekojiet, lai apkārtējie izmantotu acu aizsarglīdzekļus. Ja strādājot kāds jums tuvojas, nekavējoties apturiet motoru un griešanas pierīci.

Pirms katras trimera lietošanas reizes pārbaudiet, vai nav bojātu un nodilušu daļu

Pārbaudiet ierīces piespiežamo galvu, aizsargu un priekšējo rokturi un nomainiet detaļas, ja tās ir saplaisājušas, savijušas, salocījušas vai bojātas.

Ar laiku auklas griešanas asmens uz aizsarga var kļūt truls. Ieteicams periodiski asināt asmeni ar vīli vai nomainīt to.

BRĪDINĀJUMS. Uzstādot aizsargu vai nomainot asmeni, vienmēr valkājiet cimdus. Sargieties no asmens, kas atrodas uz aizsarga, un aizsargājiet rokas pret sagriešanos.

Pēc katras trimera lietošanas notīriet to.

UZMANĪBU! Ja ventilācijas atveres būs aizsērējušas, gaiss nevarēs iekļūt motora korpusā un motors pārkarstīs vai tiks bojāts.

Darbarīka tīrīšanai izmantojiet tikai maigas ziepes un mitru drānu. Nekādā gadījumā nepieļaujiet šķidrums iekļūšanu darbarīkā; nekad neiegremdējiet šķidrumā nevienu no darbarīka daļām.

- Turiet motora korpusa un vārpstas ventilācijas atveres tīras no gružiem

⚠ BRĪDINĀJUMS. Nekad neizmantojiet ūdeni, lai notīrītu trimmeri. Tīrot plastikāta detaļas, izvairieties no šķīdinātāju lietošanas. Tirdzniecībā iegādājami šķīdinātāji bojā lielāko daļu plastmasas materiālu. Lai notīrītu neīrūmus, putekļus, eļļu, smērvielas u.c., izmantojiet tīras drāniņas.

PADOMI, KĀ LABĀK NOPLAUT ZĀLI (N ATT.)

- Pareizais leņķis ir tad, kad griezējinstrumentis atrodas paralēli zemei.
- Nespiediet trimmeri ar spēku. Pļaujiet tikai ar pašu auklas galu (īpaši gar sienām). Ja pļausiet ar garāku auklas daļu, pasliktināsies pļaušanas efektivitāte un, iespējams, tiks pārslogots motors.
- Griešanas augstumu nosaka griezējaukļas attālums no zāliena virsmas.
- Lai izvairītos no priekšlaicīga auklas nodiluma vai motora bojājuma, zāli, kas ir garāka par 20 cm, ir jāpļauj pakāpeniski no augšas uz apakšu.
- Lieciet trimmeri pļaujamajā zonā lēnām, un tik pat lēnām arī izceliet no tās, saglabājot griezējgalviņas pozīciju vēlamajā griešanas augstumā. Tā var būt vai nu kustība uz priekšu un atpakaļ, vai arī kustība no vienas puses uz otru. Ja vēlaties iegūt vislabākos pļaušanas rezultātus, pļaujiet tsāku zāli.
- Pļaujiet zāli un nezāles tikai tad, kad tās ir sausas.
- Stieples un mietu žogi var radīt papildus nodilumu auklai, un var to pat salauzt. Ja aukla saskaras ar akmens un kļeģeļu mūra sienām, apmalēm un kokmateriāliem, tā ātri nodilst.
- Raugiet, lai aukla nesaskartos ar kokiem un krūmiem. Ar auklu var viegli sabojāt koku mizas, koka līstes, apšuvumus un sētas stabus.

Zemāk norādīts N attēla detaļu apraksts:

N-1	Vislabākā griešanas zona	N-2	Bīstama griešanas zona
-----	--------------------------	-----	------------------------

TRIMMERA AUKLAS GARUMA REGULĒŠANA

Trimmera galva ļauj operatoram izbīdīt vairāk griezējaukļas, neapturot motoru. Ja aukla sadilst vai nolietojas, nedaudz piesitot spoles aizturi pret zemi trimmera lietošanas laikā, var izbīdīt jaunu auklas garumu (skatiet O att.).

PIEZĪME: Trimmera auklai paliekot tsāakai, auklas padeve kļūst apgrūtināta.

⚠ BRĪDINĀJUMS. Nenonemiet un nepārveidojiet auklas griešanas asmens mezglu. Pārmērīgi gara aukla izraisīs motora pārkaršanu, un var rasties smaga trauma.

AUKLAS NOMAIŅA

PIEZĪME! Vienmēr lietojiet ieteikto neilona griešanas auklu, kuras diametrs nepārsniedz 2,4 mm. Cita veida auklas izmantošana var izraisīt auklas trimmera pārkaršanu vai var to sabojāt.

⚠ BRĪDINĀJUMS. Nekad neizmantojiet auklu ar metāla pastiprinājumiem, stiepli, virvi u.tml. Šāda veida auklas var salūst un kļūt par bīstamiem, lielā ātrumā izsviestiem objektiem.

Auklas trimmeris ir aprīkots ar uzlabotu automātisko auklas uztīšanas sistēmu. Griezējauklu uztin spolē, vienkārši nospiežot pogu. Parasti pilnas

spoles uztīšana notiek 12 sekunžu laikā. Lai samazinātu motora bojājuma iespējamību, nedarbiniet sistēmu atkārtoti pēc kārtas.

1. Izņemiet akumulatoru bloku.
2. Nepieciešamības gadījumā izņemiet atlikušo griezējaukļas daļu. Vienkārši izvelciet to ar rokām.
3. Nogrīziet vienu griezējaukļas daļu 4 m garumā. Izvelciet auklu caur vienu actiņu (P att.) un piespiediet to, kamēr no pretējās actiņas iznāk auklas gals.

Zemāk norādīts P attēla detaļu apraksts:

P-1	Griezējaukļa	P-3	Actiņa
P-2	Apakšējā daļa		

4. Izņemiet akumulatoru, ja tas bija ievietots auklas trimmerī.
5. Izvelciet auklu no otras puses, līdz trimmera galvai abās pusēs var redzēt vienāda garuma auklu (Q att.)
6. Ievietojiet auklas trimmerī akumulatoru bloku. Lai palaištu auklas uztīšanas motoru, turiet nospiestu auklas uztīšanas pogu. Aukla tiks nepārtraukti tīta trimmera galvā (R att.).
7. Uzmanīgi vērojiet, kad pienāk auklas atlikusi daļa. Esiet gatavs atlaist pogu, tiklīdz abās pusēs būs palikuši aptuveni 18 cm no auklas. Īsi nospiediet auklas uztīšanas pogu, lai pielāgotu garumu, līdz abās pusēs ir redzama 14 cm gara aukla.
8. Lai pārbaudītu, vai griezējaukļa ir pareizi uzstādīta, velkot auklu, piespiediet trimmera galvu — šādi to varēs izvilkt ar rokām.

PIEZĪME! Gadījumā, ja aukla tiek nejauši ierauta trimmera galvā, atveriet galvu un izvelciet griezējauklu no spoles. Lai uzlītu auklu, izlasiet šīs rokasgrāmatas sadaļā „GRIEZĒJAUKLAS UZTĪŠANA” sniegto informāciju.

GRIEZĒJAUKLAS UZTĪŠANA

Ja griezējaukla pārtrūkst pie auklas izejas vai arī griezējaukla netiek padota, piesitot ar trimmera galvu, izpildiet tālāk norādītās darbības, kas palīdzēs izņemt atlikušo griezējauklu daļu un uzlīt auklu.

1. Nospiediet abus atlaišanas izcilņus uz trimmera galvas un noņemiet trimmera galvu, izvelkot to uz āru (S-1 un S-2 attēls).
2. Izņemiet griezējauklu no trimmera galvas un ievietojiet atspere apakšējās daļas rievā (T att.).
3. Ar vienu roku pieturiet trimmeri, un ar otru roku satveriet apakšējo daļu, lai salāgotu apakšējās daļas rievu ar atlaišanas izcilņiem. Piespiediet apakšējo daļu, līdz tā nofiksējas, un būs dzirdama „klikšķa” skaņa (U attēls).
4. Lai nomainītu griezējauklu, sekojiet norādījumiem sadaļā „AUKLAS NOMAIŅA”.

Zemāk norādīts S1, T un U attēla detaļu apraksts:

S1-1	Apakšējā daļa	U-1	Atlaišanas izcilnis
S1-2	Atlaišanas izcilnis	U-2	Rieva
T-1	Atspere		

TRIMMERA GALVAS NOMAIŅA

⚠ BRĪDINĀJUMS. Ja galva pēc tās nostiprināšanas kļūst vaļīga, nekavējoties nomainiet to. Nekādā gadījumā nelietojiet trimmeri ar vaļīgu griešanas pierci. Nekavējoties nomainiet saplaisājušu, bojātu vai nolietojušos griezējgalvu pat tad, ja konstatētas tikai nenozīmīgas plaisas. Šādas pierces var salūzt, griežoties lielā ātrumā, un radīt smagu traumu.

Trimmera galvas noņemšana

1. Izņemiet no trimmera akumulatoru bloku.
2. Nospiediet atlaišanas izcilņus uz trimmera galvas un noņemiet trimmera galvas apakšējo daļu, izvelkot to uz āru (skatīt S1 un S2 attēlu).
3. Izņemiet griezējauklu no trimmera galvas (V att.).
4. Vajadzības gadījumā izņemiet no spoles atspere. Saglabājiet atspere, jo tā būs nepieciešama uzstādīšanai.

5. Valkājiet cimdus. Ar vienu roku satveriet spoli, lai to stabilizētu, un otrā rokā paņemiet triecienu uzgriežņu atslēgu, lai atskrūvētu uzgriezni pretēji pulksteņrādītāja kustības virzienam (W att.).
6. Noņemiet no motora vārpstas uzgriezni, paplāksni, spoli un augšējo daļu (X att.).
7. Lai noņemtu gredzenu, izmantojiet riņķveida liektās knaibles. Izņemiet ventilatora bloku (Y att.).
8. Nomainiet jaunu trimmera galvu un uzstādiat to tā, kā tas parādīts turpmākajos soļos.

Zemāk norādīts W, X un Y attēla detaļu apraksts:

W-1	Triecienu uzgriežņu atslēga	X-4	Uzgrieznis
X-1	Augšējā daļa	Y-1	Ventilatora bloks
X-2	Spole	Y-2	Gredzens
X-3	Paplāksne		

Jaunas trimmera galvas uzstādīšana

1. Ventilatora bloka salāgojiet atslēgas rievu ar motora vārpstas rievu un uzstādiat ventilatora bloku (Z att.).
2. Uzstādiat gredzenu, augšējo daļu, spoli un paplāksni šādā secībā. Pievelciet uzgriezni ar triecienu uzgriežņu atslēgu.
3. Lai uzstādītu apakšējo daļu, izlasiet norādījumus šīs rokasgrāmatas sadaļā „GRIEZĒJAUKLAS UZTĪŠANA”.
4. Lai uzlītu griezējauklu, izlasiet norādījumus šīs rokasgrāmatas sadaļā „AUKLAS NOMAIŅA”.
5. Iedarbiniet darbarīku, lai redzētu, vai normāli darbojas auklas trimmeris. Ja tas tā nav, uzstādiat vēlreiz, kā aprakstīts iepriekš.

Zemāk norādīts Z attēla detaļu apraksts:

Z-1	Rieva	Z-2	Atslēgas rievu
-----	-------	-----	----------------

APKOPE

⚠ BRĪDINĀJUMS. Veicot apkopi, izmantojiet tikai identiskas nomaņas daļas. Regulāri pārbaudiet ierīci un veiciet tās apkopi. Lai garantētu drošību un uzticamību, ierīci drīkst remontēt tikai kvalificēts apkopes tehniķis.

⚠ BRĪDINĀJUMS. Akumulatora darbarīkus nav nepieciešams pieslēgt elektrotīklam, tādēļ tie vienmēr ir darbības stāvoklī. Lai nepieļautu smagas traumas, uzturēšanas, apkopes vai griešanas pierci vai citu piederumu maiņas laikā, veiciet papildu piesardzības pasākumus un esiet uzmanīgs.

⚠ BRĪDINĀJUMS. Lai nepieļautu smagas traumas, pirms trimera apkopes, tīrīšanas, papildpietriču maiņas vai zāles izņemšanas izņemiet akumulatora bloku.

IERĪCES TĪRĪŠANA

- Tīriet ierīci ar mitru drānu un maigu mazgāšanas līdzekli.
- Netīriet plastmasas korpusu un rokturi ar kodīgiem tīrīšanas līdzekļiem. Plastmasas daļas var sabojāt ar zināmām aromatizētām eļļām, piemēram, priežu un citrona, un šķīdinātājiem, piemēram, petroleju. Elektrotraumu var radīt arī mitrums. Kārtīgi noslaukiet mitrumu ar mīkstu, tīru drānu.
- Ventilācijas atveru tīrīšanai korpusa aizmugurē izmantojiet nelielu suku vai nelielu putekļsūcēja suku ar gaisa izplūdi.

AUKLAS GRIEZĒJASMENS UZASINĀŠANA

⚠ BRĪDINĀJUMS. Vienmēr aizsargājiet savas rokas, valkājot biezus cimdus auklas griezējasmens apkopes darbu veikšanas laikā.

1. Izņemiet no aizsarga auklas griezējasmēni.
2. Valkājiet piemērotus acu aizsarglīdzekļus un cimdus, un rīkojieties uzmanīgi, lai sev neiegrieztu.
3. Nostipriniet asmeni skrūvspīlē.
4. Uzmanīgi novīlējiet asmens griezējmalas ar smalku zobu asināšanas vīli vai asināšanas akmeni, saglabājot oriģinālo griešanas leņķi.
5. Nomainiet aizsargam asmeni un nostipriniet to ar divām skrūvēm.

LV

IERĪCES UZGLABĀŠANA

- Ja auklas trimeri neizmantojat, izņemiet no tā akumulatora bloku.
- Pirms uzglabāšanas kārtīgi notīriet darbarīku.
- Uzglabājiet ierīci sausā, labi vēdināmā, aizslēdzamā vai augstā — bērniem nepieejamā — vietā. Neuzglabājiet ierīci blakus mēslojumam, degvielai vai citām ķīmikālijām.

Apkārtējās vides aizsardzība



Neizmetiet elektroierīces, akumulatora lādētājus un baterijas/uzlādējamus akumulatorus mājāsaimniecības atkritumos!

Saskaņā ar Eiropas likumu 2012/19/ES, un 2006/66/EK nolietotais elektriskais un elektroniskais aprīkojums, bojāti vai lietoti akumulatora bloki/baterijas jāsavāc atsevišķi.

Ja elektroierīces tiek izmestas atkritumu poligonos vai izgāztuvēs, gruntsūdenī var iekļūt bīstamas vielas, piesārņojot barības ķēdi, kaitējot veselībai un labsajūtai.

KĻŪMJU NOVĒRŠANA

PROBLĒMA	CĒLONIS	RISINĀJUMS
Auklas trimēris neieslēdzas.	<ul style="list-style-type: none"> ■ Trimerī nav uzstādīts akumulatora bloks. ■ Starp trimēri un akumulatoru nav elektriskā savienojuma. ■ Akumulatora bloks ir izlādējies. ■ Vienlaikus nav nospiesta bloķēšanas poga un pārslēdzējs. 	<ul style="list-style-type: none"> ■ Uzstādiet trimēri akumulatora bloku. ■ Izņemiet akumulatoru, pārbaudiet kontaktus un ievietojiet atpakaļ. ■ Uzlādējiet akumulatora bloku. ■ Nospiediet bloķēšanas pogu un turiet to, tad nospiediet pārslēdzēju, lai ieslēgtu auklas trimēri.
Auklas trimēris apstājas griešanas laikā.	<ul style="list-style-type: none"> ■ Uz trimēra nav uzstādīts aizsargs, kā rezultātā griešanas aukla ir par garu un rodas motora pārslodze. ■ Izmantota smaga griešanas aukla. ■ Motora vārpstu vai trimēra galvu nosprostojusi zāle. ■ Motora pārslodze. ■ Akumulatora bloks vai auklas trimēris ir pārkaršis. ■ Akumulatora bloks ir atvienots no darbarīka. ■ Akumulatora bloks ir izlādējies. 	<ul style="list-style-type: none"> ■ Izņemiet akumulatora bloku un uzstādiet uz trimēra aizsargu. ■ Izmantojiet ieteikto neilona griešanas auklu, kuras diametrs nepārsniedz 2,4 mm. ■ Apturiet trimēri, izņemiet akumulatoru un iztīriet zāli no motora vārpstas un trimēra galvas. ■ Paceliet trimēra galvu no zāles. Pēc slodzes noņemšanas motors atsāks darboties, kā paredzēts. Griežot ievirziet trimēra galvu griežamajā zālē, ņemot ne vairāk par 20 cm garuma vienā griezumā. ■ Ļaujiet akumulatora blokam vai trimērim atdzist, līdz temperatūra nokrītas zem 67 °C. ■ Uzstādiet atpakaļ akumulatora bloku. ■ Uzlādējiet akumulatora bloku.

PROBLĒMA	CĒLONIS	RISINĀJUMS
Trimera galva neizbīda auklu.	<ul style="list-style-type: none"> ■ Motora vārpstu vai trimera galvu nosprostojusi zāle. ■ Spoles aiztūrī nepietiek auklas. ■ Trimera galva ir netīra. ■ Spoles aiztūrī savijusies aukla. ■ Aukla ir par īsu. 	<ul style="list-style-type: none"> ■ Apturiet trimeri, izņemiet akumulatoru un iztīriet zāli no motora vārpstas un trimera galvas. ■ Izņemiet akumulatoru un nomainiet griešanas auklu; skatiet šīs rokasgrāmatas nodaļu „AUKLAS MAIŅA”. ■ Izņemiet akumulatoru un notīriet spoles turētāju un spoles pamatni. ■ Izņemiet akumulatoru, izņemiet no spoles turētāja auklu un uztiniet no jauna; skatiet šīs rokasgrāmatas sadaļu „AUKLAS NOMAIŅA”. ■ Izņemiet akumulatoru un velciet auklas, vienlaikus nospiežot un atlaižot trimera galvu.
Ap trimera galvu un motora korpusu ir aptinusies zāle.	<ul style="list-style-type: none"> ■ Garas zāles griešana zemes līmenī. 	<ul style="list-style-type: none"> ■ Grieziet garu zāli no augšas uz leju, katru reizi vienā gājienā nogriežot pa 20 cm, lai nepieļautu zāles aptīšanos.
Asmens nenogriež auklu.	<ul style="list-style-type: none"> ■ Ar laiku aizsarga auklas griešanas asmens mala kļūst trula. 	<ul style="list-style-type: none"> ■ Uzasiniet auklas griešanas asmeni ar vīli vai nomainiet to.
Plaisas uz trimmera galvas vai spoles aizturis atskrūvējies no spoles pamatnes.	<ul style="list-style-type: none"> ■ Trimmera galva ir nodilusi. 	<ul style="list-style-type: none"> ■ Nekavējoties nomainiet trimmera galvu, nogādājot to kvalificētam servisa tehniķim.
Auklas nomaiņas laikā auklu nevar ietīt trimmera galvā pareizi.	<ul style="list-style-type: none"> ■ Spoles aiztura LOAD līnija nesakrīt ar spoles pamatnes actiņām. ■ Aukla nav pareizi ievietota actiņā montāžas caurumā. 	<ul style="list-style-type: none"> ■ Pagrieziet spoles aizturi bultiņas virzienā, lai salāgotu līniju ar uzrakstu LOAD uz spoles aiztura ar actiņām spoles pamatnē. ■ Vispirms salāgojiet LOAD līnijas ar actiņām, pēc tam ievietojiet auklu actiņā montāžas caurumā.

GARANTIJA

EGO GARANTIJAS POLITIKA

Lūdzu, apmeklējiet tīmekļa vietni egopowerplus.com, kur pieejama pilna EGO Garantijas politikas noteikumu un nosacījumu versija.

ΔΙΑΒΑΣΤΕ ΟΛΕΣ ΤΙΣ ΟΔΗΓΙΕΣ!



ΔΙΑΒΑΣΤΕ ΤΟ ΕΓΧΕΙΡΙΔΙΟ ΧΡΗΣΗΣ

⚠ Υπολειπόμενοι κίνδυνοι! Άνθρωποι που φέρουν ηλεκτρονικές συσκευές όπως βηματοδότες πρέπει να συμβουλευτούν τους γιατρούς τους πριν τη χρήση αυτού του προϊόντος. Η λειτουργία ηλεκτρικών εξοπλισμών κοντά σε βηματοδότη μπορεί να προκαλέσει παρεμβολές ή βλάβη στον βηματοδότη.

⚠ ΠΡΟΕΙΔΟΠΟΙΗΣΗ: Για να διασφαλίσετε την ασφάλεια και την αξιοπιστία, όλες οι επισκευές πρέπει να διεξάγονται από εξειδικευμένο τεχνικό του σέρβις.

ΣΥΜΒΟΛΑ ΑΣΦΑΛΕΙΑΣ

Ο σκοπός των συμβόλων ασφαλείας είναι να σας τραβήξουν την προσοχή για ενδεχόμενους κινδύνους. Προσέξτε και κατανοήστε τα σύμβολα ασφαλείας και τις εξηγήσεις που τα συνοδεύουν. Οι προειδοποιήσεις συμβόλων από μόνες τους δεν εξαλείφουν κανέναν κίνδυνο. Οι οδηγίες και οι προειδοποιήσεις που παρέχουν δεν υποκαθιστούν τα μέτρα σωστής πρόληψης ατυχημάτων.

⚠ ΠΡΟΕΙΔΟΠΟΙΗΣΗ: Βεβαιωθείτε ότι έχετε διαβάσει και κατανοήσει όλες τις οδηγίες ασφαλείας στο παρόν Εγχειρίδιο χειριστή, συμπεριλαμβανομένων όλων των συμβόλων ασφαλείας όπως «**ΚΙΝΔΥΝΟΣ**», «**ΠΡΟΕΙΔΟΠΟΙΗΣΗ**» και «**ΠΡΟΣΟΧΗ**», προτού χρησιμοποιήσετε αυτό το εργαλείο. Η μη τήρηση όλων των παρακάτω οδηγιών μπορεί να οδηγήσει σε ηλεκτροπληξία, πυρκαγιά ή/και σοβαρό ατομικό τραυματισμό.

ΣΗΜΑΣΙΑ ΣΥΜΒΟΛΩΝ




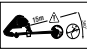




ΣΥΜΒΟΛΟ ΕΙΔΟΠΟΙΗΣΗΣ ΑΣΦΑΛΕΙΑΣ: Υποδηλώνει ΚΙΝΔΥΝΟ, ΠΡΟΕΙΔΟΠΟΙΗΣΗ ή ΠΡΟΣΟΧΗ. Μπορεί να χρησιμοποιείται σε συνδυασμό με άλλα σύμβολα ή εικονογράμματα.



ΟΔΗΓΙΕΣ ΑΣΦΑΛΕΙΑΣ

Αυτή η σελίδα απεικονίζει και περιγράφει τα σύμβολα ασφαλείας που υπάρχουν ενδεχομένως σε αυτό το προϊόν. Διαβάστε, κατανοείτε και ακολουθείτε όλες τις οδηγίες στη μηχανή προτού προσταθήσετε να διεξάγετε εργασίες συναρμολόγησης και λειτουργίας.

	Ειδοποίηση ασφαλείας	Υποδηλώνει ενδεχόμενο κίνδυνο ατομικού τραυματισμού.
	Διαβάστε το εγχειρίδιο χρήσης	Προκειμένου να μειωθεί ο κίνδυνος τραυματισμού, ο χρήστης πρέπει να διαβάσει και να κατανοήσει το εγχειρίδιο χρήσης προτού χρησιμοποιήσει αυτό το προϊόν.
	Φοράτε προστατευτικά γυαλιά	Φοράτε πάντοτε προστατευτικά γυαλιά ή γυαλιά ασφαλείας με πλευρική προστασία και πλήρη προστατευτική προσωπίδα κατά τη λειτουργία αυτού του προϊόντος.
	Φοράτε προστατευτικά ακοής	Φοράτε πάντα ωτοασπίδες για την προστασία της ακοής σας.
	Πλάτος κοπής	Μέγ. πλάτος κοπής χλοοκοπτικού με μεσινέζα
	Διάμετρος νήματος	Διάμετρος του νάιλον νήματος κοπής
	Φοράτε προστασία για το κεφάλι	Φοράτε ένα εγκεκριμένο για την ασφάλεια σκληρό καπέλο για την προστασία του κεφαλιού σας.
	Φοράτε προστατευτικά γάντια	Προστατεύετε τα χέρια σας με γάντια κατά το χειρισμό της λεπίδας ή του προστατευτικού της. Τα ανθεκτικά, αντιολισθητικά γάντια βελτιώνουν το κράτημα και προστατεύουν τα χέρια σας.

GR

	Φοράτε υποδήματα ασφαλείας	Φοράτε αντολισθητικά υποδήματα ασφαλείας όταν χρησιμοποιείτε αυτό τον εξοπλισμό.
	Προσέχετε την αναπήδηση της λεπίδας	Ο χειριστής πρέπει να έχει πάντα το νου του στον κίνδυνο από την αναπήδηση της λεπίδας.
	Σε περίπτωση εξοστρακισμού διατηρείτε μακριά τους παρευρισκόμενους	Αντικείμενα που πετιούνται μπορεί να εξοστρακιστούν και να προκύψει ατομικός τραυματισμός ή ζημιά στην ιδιοκτησία. Εξασφαλίστε ότι άλλα άτομα ή κατοικίδια παραμένουν τουλάχιστον μακριά από το θαμνοκοπτικό όταν αυτό χρησιμοποιείται.
	Διατηρείτε μακριά τους παρευρισκόμενους	Εξασφαλίστε ότι άλλα άτομα ή κατοικίδια παραμένουν τουλάχιστον 15 μ. μακριά από το χλοοκοπτικό με νήμα όταν αυτό χρησιμοποιείται.
	Η λεπίδα δεν είναι στρογγυλή	Μην εγκαθιστάτε στρογγυλές λεπίδες κοπής.
	Μην εκθέτετε το εργαλείο στη βροχή	Μη χρησιμοποιείτε στη βροχή ή μην αφήνετε σε εξωτερικό χώρο ενώ βρέχει.
	CE	Αυτό το προϊόν συμφώνει με τις ισχύουσες οδηγίες της ΕΚ.
	ΑΗΗΕ (WEEE)	Τα άχρηστα ηλεκτρικά προϊόντα δεν πρέπει να απορρίπτονται στα οικιακά απόβλητα. Παραδίδεται τα σε μια εξουσιοδοτημένη εταιρεία ανακύκλωσης.

	Θόρυβος	Εγγυημένη στάθμη ηχητικής ισχύος. Εκπομπές θορύβου στο περιβάλλον σύμφωνα με την οδηγία της Ευρωπαϊκής Ένωσης.
V	V	Ανά λεπτό
	Συνεχές ρεύμα	Τύπος ή χαρακτηριστικό του ρεύματος
n_b	Ταχύτητα χωρίς φορτίο	Ταχύτητα περιστροφής, χωρίς φορτίο
min ⁻¹	Ανά λεπτό	Στροφές ανά λεπτό

ΓΕΝΙΚΕΣ ΠΡΟΕΙΔΟΠΟΙΗΣΕΙΣ ΑΣΦΑΛΕΙΑΣ ΓΙΑ ΤΑ ΗΛΕΚΤΡΙΚΑ ΕΡΓΑΛΕΙΑ

⚠ ΠΡΟΕΙΔΟΠΟΙΗΣΗ: Μελετήστε όλες τις προειδοποιήσεις ασφάλειας, τις οδηγίες, τις εικόνες και τις προδιαγραφές που συνοδεύουν αυτό το ηλεκτρικό εργαλείο. Αν δεν τηρηθούν όλες οι οδηγίες που αναφέρονται παρακάτω, μπορεί να προκληθεί ηλεκτροπληξία, φωτιά και/ή σοβαρός τραυματισμός.

Φυλάξτε όλες τις προειδοποιήσεις και τις οδηγίες για μελλοντική αναφορά.

Ο όρος «ηλεκτρικό εργαλείο» στις προειδοποιήσεις αναφέρεται στο ηλεκτρικό εργαλείο που έχετε στην κατοχή σας, είτε λειτουργεί με σύνδεση στην πρίζα (με καλώδιο) είτε λειτουργεί με μπαταρίες (χωρίς καλώδιο).

ΑΣΦΑΛΕΙΑ ΣΤΟ ΧΩΡΟ ΕΡΓΑΣΙΑΣ

- Διατηρείτε το χώρο εργασίας καθαρό και καλά φωτισμένο. Η ακαταστασία και ο κακός φωτισμός αυξάνουν την πιθανότητα ατυχημάτων.
- Μη χρησιμοποιείτε ηλεκτρικά εργαλεία σε περιβάλλον με εύφλεκτη ατμόσφαιρα, όπως όταν υπάρχουν εύφλεκτα υγρά, αέρια ή σκόνη. Τα ηλεκτρικά εργαλεία δημιουργούν σπινθήρες που μπορεί να αναφλέξουν τη σκόνη ή τις αναθυμιάσεις.
- Όταν χρησιμοποιείτε ηλεκτρικά εργαλεία, κρατήστε μακριά τα παιδιά και κάθε άλλο άτομο που δεν συμμετέχει στην εργασία. Αν κάτι αποσπάσει την προσοχή σας, μπορεί να χάσετε τον έλεγχο του εργαλείου.

ΠΡΟΣΩΠΙΚΗ ΑΣΦΑΛΕΙΑ

- **Να είστε πάντα σε εγρήγορση, να προσέχετε τι κάνετε και να χρησιμοποιείτε την κοινή λογική όταν χρησιμοποιείτε ηλεκτρικά εργαλεία. Μη χρησιμοποιείτε ηλεκτρικά εργαλεία όταν είστε κουρασμένοι ή υπό την επήρεια ναρκωτικών, αλκοόλ ή φαρμάκων.** Όταν χρησιμοποιείτε ηλεκτρικά εργαλεία, μια στιγμή απροσεξίας μπορεί να προκαλέσει σοβαρό τραυματισμό.
- **Χρησιμοποιείτε εξοπλισμό ατομικής προστασίας.** Φοράτε πάντα προστατευτικά για τα μάτια. Η χρήση του κατάλληλου προστατευτικού εξοπλισμού ανάλογα με τις συνθήκες, όπως μάσκα σκόνης, αντιολισθητικά παπούτσια, κράνος ή γυαλιά, μειώνει τον κίνδυνο τραυματισμού.
- **Λάβετε μέτρα για να μην ενεργοποιηθεί κατά λάθος το εργαλείο.** Βεβαιωθείτε ότι είναι κλειστός ο διακόπτης (OFF) πριν συνδέσετε το ηλεκτρικό εργαλείο στην πρίζα και/ή στην μπαταρία, καθώς και όταν σηκώνετε ή μεταφέρετε το εργαλείο. Μη μεταφέρετε το ηλεκτρικό εργαλείο με το δάκτυλο πάνω στο διακόπτη και μη βάζετε το ηλεκτρικό εργαλείο στην πρίζα με ανοικτό το διακόπτη, διότι αυξάνεται ο κίνδυνος ατυχήματος.
- **Πριν ενεργοποιήσετε το ηλεκτρικό εργαλείο, αφαιρέστε κάθε ρυθμιστικό εργαλείο ή εξάρτημα.** Αν το ρυθμιστικό εργαλείο ή εξάρτημα παραμείνει συνδεδεμένο στο περιστρεφόμενο εξάρτημα του ηλεκτρικού εργαλείου, μπορεί να προκληθεί τραυματισμός.
- **Μην τεντώνετε υπερβολικά για να πραγματοποιήσετε την εργασία.** Πατάτε πάντα σταθερά και διατηρείτε την ισορροπία σας. Έτσι θα ελέγχετε καλύτερα το ηλεκτρικό εργαλείο αν προκύψει κάποια απροσδόκητη κατάσταση.
- **Φοράτε κατάλληλα ρούχα. Μη φοράτε φαρδιά ρούχα ή κοσμήματα. Κρατήστε τα μαλλιά, τα ρούχα και τα γάντια σας μακριά από κινούμενα μέρη.** Χαλαρά ρούχα, κοσμήματα ή μακριά μαλλιά μπορεί να πιαστούν στα κινούμενα μέρη.
- **Αν υπάρχει δυνατότητα σύνδεσης συσκευών απομάκρυνσης και συλλογής της σκόνης, βεβαιωθείτε ότι αυτές οι συσκευές έχουν συνδεθεί και χρησιμοποιούνται σωστά.** Αυτές οι συσκευές μπορούν να περιορίσουν τους κινδύνους που σχετίζονται με τη σκόνη.
- **Ακόμα κι αν χρησιμοποιείτε συχνά ηλεκτρικά εργαλεία, μην εφησυχάζετε και μην παραβλέπτε τους βασικούς κανόνες ασφαλείας.** Μια στιγμή απροσεξίας μπορεί να προκαλέσει σοβαρό τραυματισμό.

ΧΡΗΣΗ ΚΑΙ ΦΡΟΝΤΙΔΑ ΤΟΥ ΗΛΕΚΤΡΙΚΟΥ ΕΡΓΑΛΕΙΟΥ

- **Μην πιέζετε το ηλεκτρικό εργαλείο. Χρησιμοποιήστε το κατάλληλο ηλεκτρικό εργαλείο για την εκάστοτε εργασία.** Η εργασία θα πραγματοποιηθεί καλύτερα και ασφαλέστερα αν χρησιμοποιηθεί το κατάλληλο ηλεκτρικό εργαλείο στην ταχύτητα για την οποία έχει σχεδιαστεί.
- **Μη χρησιμοποιήσετε το ηλεκτρικό εργαλείο αν δεν μπορείτε να το ενεργοποιήσετε και να το απενεργοποιήσετε από το διακόπτη.** Κάθε ηλεκτρικό εργαλείο που δεν ελέγχεται από το διακόπτη είναι επικίνδυνο και πρέπει να επισκευάζεται.
- **Όταν δεν λειτουργεί το ηλεκτρικό εργαλείο, πρέπει να φυλάσσεται μακριά από παιδιά και να μην επιτρέπεται σε άτομα που δεν είναι εξοικειωμένα με το εργαλείο ή με τις παρούσες οδηγίες να χρησιμοποιούν το εργαλείο.** Τα ηλεκτρικά εργαλεία είναι επικίνδυνα στα χέρια ατόμων που δεν έχουν εκπαιδευτεί στη χρήση τους.
- **Συντηρείτε σωστά τα ηλεκτρικά εργαλεία και τα βοηθητικά τους εξαρτήματα.** Ελέγχετε για κακή ευθυγράμμιση ή εμπλοκή των κινούμενων εξαρτημάτων, για σπασμένα εξαρτήματα και για κάθε άλλη κατάσταση που μπορεί να επηρεάσει τη λειτουργία του ηλεκτρικού εργαλείου. Αν υποστεί ζημιά το ηλεκτρικό εργαλείο, επισκευάστε το πριν το χρησιμοποιήσετε. Πολλά ατυχήματα οφείλονται σε κακώς συντηρημένα ηλεκτρικά εργαλεία.
- **Διατηρείτε τα κοπτικά εξαρτήματα αιχμηρά και καθαρά.** Όταν τα κοπτικά εξαρτήματα έχουν συντηρηθεί σωστά και είναι αιχμηρά, ελέγχονται ευκολότερα και είναι λιγότερο πιθανό να μπλοκάρουν.
- **Χρησιμοποιείτε το ηλεκτρικό εργαλείο, τα εξαρτήματα, τα τρυπάνια κ.λπ. σύμφωνα με τις παρούσες οδηγίες και λαμβάνοντας υπόψη τις συνθήκες και την εργασία που θα εκτελεστεί.** Αν το ηλεκτρικό εργαλείο χρησιμοποιηθεί για εργασία για την οποία δεν προορίζεται, μπορεί να δημιουργηθούν επικίνδυνες καταστάσεις.
- **Διατηρείτε τις λαβές και την επιφάνεια συγκράτησης του εργαλείου στεγνές και καθαρές, χωρίς λάδια και γράσα.** Αν γλιστρούν οι λαβές και οι επιφάνειες συγκράτησης, δεν θα μπορείτε να χειριστείτε με ασφάλεια το εργαλείο, ούτε θα μπορείτε να το ελέγξετε αν προκύψει κάποια απροσδόκητη κατάσταση.
- **Διατηρείτε πάντοτε τα καλώδια μακριά από την περιοχή εργασίας του εργαλείου.** Κατά τη χρήση ενδέχεται να υπάρχουν κρυμμένα καλώδια που μπορούν να κοπούν κατά λάθος από το εργαλείο.

ΧΡΗΣΗ ΚΑΙ ΦΡΟΝΤΙΔΑ ΤΟΥ ΕΡΓΑΛΕΙΟΥ ΜΕ ΜΠΑΤΑΡΙΑ

- **Επαναφορτίζετε το εργαλείο μόνο με τον φορτιστή που ορίζεται από τον κατασκευαστή.** Οι φορτιστές που είναι κατάλληλοι για ορισμένο τύπο μπαταρίας μπορεί να προκαλέσουν φωτιά αν χρησιμοποιηθούν με άλλο τύπο μπαταρίας.
- **Χρησιμοποιήστε το ηλεκτρικό εργαλείο μόνο με την ειδική φορητή μπαταρία που προορίζεται για αυτό.** Αν χρησιμοποιηθεί οποιαδήποτε άλλη φορητή μπαταρία, μπορεί να προκληθεί τραυματισμός και φωτιά.
- **Όταν δεν χρησιμοποιείται η φορητή μπαταρία, πρέπει να φυλάσσεται μακριά από μεταλλικά αντικείμενα όπως συνδετήρες, νομίσματα, κλειδιά, καρφιά, βίδες ή άλλα μικρά μεταλλικά αντικείμενα, που μπορεί να δημιουργήσουν σύνδεση μεταξύ των πόλων της μπαταρίας.** Το βραχυκύκλωμα των πόλων της μπαταρίας μπορεί να προκαλέσει εγκαύματα ή φωτιά.
- **Σε συνθήκες κακής χρήσης, μπορεί να διαρρεύσει υγρό από την μπαταρία. Μην το αγγίζετε. Αν το αγγίξετε κατά λάθος, ξεπλυθείτε με νερό. Αν το υγρό έρθει σε επαφή με τα μάτια, απευθυνθείτε επίσης σε γιατρό.** Το υγρό που διαρρέει από την μπαταρία μπορεί να προκαλέσει ερεθισμό ή εγκαύματα.
- **Μη χρησιμοποιείτε την μπαταρία ή το εργαλείο αν έχουν υποστεί ζημιά ή έχουν τροποποιηθεί.** Οι μπαταρίες που έχουν υποστεί ζημιά ή έχουν τροποποιηθεί μπορεί να έχουν απρόβλεπτη συμπεριφορά και να προκαλέσουν φωτιά, έκρηξη ή τραυματισμό.
- **Η μπαταρία και το εργαλείο δεν πρέπει να εκτίθενται σε φωτιά ή υπερβολικά υψηλή θερμοκρασία.** Η έκθεση σε φωτιά ή σε θερμοκρασία πάνω από 100 °C μπορεί να προκαλέσει έκρηξη.
- **Τηρείτε όλες τις οδηγίες για τη φόρτιση και μη φορτίζετε την μπαταρία ή το εργαλείο εκτός του εύρους θερμοκρασίας που αναφέρεται στις οδηγίες.** Αν η φόρτιση δεν γίνει σωστά ή πραγματοποιηθεί εκτός του καθορισμένου εύρους θερμοκρασίας, μπορεί να υποστεί ζημιά η μπαταρία και να προκληθεί φωτιά.

ΣΕΡΒΙΣ

- **Το ηλεκτρικό εργαλείο πρέπει να επισκευάζεται μόνο από πιστοποιημένο επαγγελματία, χρησιμοποιώντας μόνο πανομοιότυπα ανταλλακτικά.** Έτσι διασφαλίζεται η ασφαλής λειτουργία του ηλεκτρικού εργαλείου.
- **Μην επιχειρείτε να επισκευάσετε την μπαταρία αν έχει υποστεί ζημιά.** Οι μπαταρίες πρέπει να επισκευάζονται μόνο από τον κατασκευαστή ή από εξουσιοδοτημένα κέντρα σέρβις.

▲ ΠΡΟΕΙΔΟΠΟΙΗΣΗ: Μελετήστε όλες τις προειδοποιήσεις ασφάλειας, τις οδηγίες, τις εικόνες και τις προδιαγραφές που συνοδεύουν αυτό το

ηλεκτρικό εργαλείο. Εάν δεν τηρηθούν όλες οι οδηγίες που αναφέρονται παρακάτω, μπορεί να προκληθεί ηλεκτροπληξία, φωτιά και/ή σοβαρός τραυματισμός. Φυλάσσετε όλες τις προειδοποιήσεις και τις οδηγίες για μελλοντική αναφορά.

Φυλάσσετε όλες τις προειδοποιήσεις και τις οδηγίες για μελλοντική αναφορά.

ΕΚΠΑΙΔΕΥΣΗ

- Διαβάστε με προσοχή όλες τις οδηγίες. Εξοικειωθείτε με τα χειριστήρια και τη σωστή χρήση του μηχανήματος.
- Μην επιτρέψετε ποτέ σε άτομα ή παιδιά που δεν είναι εξοικειωμένα με αυτές τις οδηγίες να χρησιμοποιήσουν τη συσκευή. Οι τοπικοί κανονισμοί ενδέχεται να επιβάλλουν περιορισμό στην ηλικία του χειριστή.
- Έχετε υπόψη σας ότι ο χειριστής ή ο χρήστης ευθύνεται αποκλειστικά για ατυχήματα ή κινδύνους που προκύπτουν για τρίτους ή την παρουσία τους.

ΠΡΟΕΤΟΙΜΑΣΙΑ

- Μη χρησιμοποιείτε ποτέ τη συσκευή όταν βρίσκονται κοντά άτομα, ιδίως παιδιά ή κατοικίδια.
- Χρησιμοποιείτε προστατευτικά για τα μάτια και ανθεκτικά υποδήματα συνεχώς όταν χρησιμοποιείτε το μηχανήμα.
- Η απόσταση μεταξύ του μηχανήματος και των παριστάμενων πρέπει να είναι τουλάχιστον 15 m.
- Να μη χρησιμοποιηθεί ποτέ το μηχανήμα εάν ο χειριστής είναι κουρασμένος, άρρωστος, υπό την επίρρηση αλκοόλ ή ναρκωτικών ουσιών.

ΛΕΙΤΟΥΡΓΙΑ

- Χρησιμοποιείτε το μηχανήμα μόνο με φυσικό φως ή με καλό τεχνητό φως.
- Μη χρησιμοποιείτε ποτέ το μηχανήμα εάν οι καλύπτρες ή οι θωρακίσεις είναι χαλασμένα ή δεν έχουν τοποθετηθεί.
- Ενεργοποιείτε τον κινητήρα μόνο, όταν τα χέρια και τα πόδια σας βρίσκονται μακριά από τα μέσα κοπής.
- Αποσυνδέετε πάντα το χλοοκοπτικό με νήμα από την τροφοδοσία ισχύος (για παράδειγμα, αφαιρείτε τη συσταχία μπαταριών).
 - όποτε αφήνετε το μηχανήμα χωρίς επίβλεψη,
 - προτού καθαρίσετε κάποια εμπλοκή,
 - πριν από έλεγχο, καθαρισμό ή άλλη εργασία πάνω στο μηχανήμα,
 - σε περίπτωση που χτυπήσετε σε ξένο αντικείμενο,
 - εάν το μηχανήμα αρχίζει να δονείται αφύσικα.
- Προσέχετε να μην τραυματιστείτε στα πόδια και χέρια από τα μέσα κοπής.

- Φροντίζετε τα ανοίγματα εξαιρισμού να είναι πάντα καθαρά, χωρίς σκουπίδια.

ΣΥΝΤΗΡΗΣΗ ΚΑΙ ΑΠΟΘΗΚΕΥΣΗ

- Αποσυνδέστε το μηχανήμα από την ηλεκτρική τροφοδοσία (δηλ. αφαιρέστε τη συστοιχία μπαταριών) προτού να πραγματοποιήσετε εργασίες συντήρησης ή καθαρισμού.
- Χρησιμοποιείτε μόνο τα ανταλλακτικά και αξεσουάρ που συνιστώνται από τον κατασκευαστή.
- Ελέγχετε και συντηρείτε τακτικά το μηχανήμα. Οι επισκευές του μηχανήματος πρέπει πάντοτε να πραγματοποιούνται σε εξουσιοδοτημένο κέντρο επισκευής.
- Όταν δεν χρησιμοποιείτε το μηχανήμα, αποθηκεύτέ το σε σημείο μακριά από τα παιδιά.

ΑΛΛΕΣ ΠΡΟΕΙΔΟΠΟΙΗΣΕΙΣ ΑΣΦΑΛΕΙΑΣ

- Αποφεύγετε επικίνδυνα περιβάλλοντα – Μη χρησιμοποιείτε τις συσκευές σε βρεγμένες ή υγρές πλαγιές.
- Τα προστατευτικά πρέπει να παραμένουν στη θέση τους και σε άψογη κατάσταση λειτουργίας.
- Διατηρείτε τα χέρια και τα πόδια πάντα μακριά από τον τομέα κοπής.
- Για μείωση του κινδύνου τραυματισμού, ποτέ μην εργάζεστε επάνω σε σκάλα ή σε οποιαδήποτε άλλη μη ασφαλή υποστήριξη. Ποτέ μην κρατάτε τη μονάδα κοπής πάνω από το ύψος μέσης.
- Ελέγχετε τη μονάδα κοπής ανά τακτά χρονικά διαστήματα κατά τη λειτουργία ή αμέσως, εάν υπάρχει αισθητή αλλαγή στη συμπεριφορά κοπής.
- Για καλύτερα αποτελέσματα, η μπαταρία σας πρέπει να φορτίζεται υπό θερμοκρασία μεγαλύτερη από 5° C και μικρότερη από 40° C. Μην την αποθηκεύετε σε εξωτερικό χώρο ή σε οχήματα.
- Εάν σας προσεγγίσουν, σταματήστε το μοτέρ και τη μονάδα κοπής.
- Προειδοποιείτε το χειριστή για τον κίνδυνο από την αναπήδηση της λεπίδας (ισχύει μόνο κατά τη χρήση με λεπίδα 3 οδοντώσεων).
 - Η ανάκρουση λεπίδας μπορεί να προκύψει όταν η περιστρεφόμενη λεπίδα έρθει σε επαφή με ένα αντικείμενο που δεν κόβει απευθείας.
 - Η ανάκρουση του δίσκου κοπής μπορεί να είναι τόσο απότομη, ώστε να τινάξει τη μονάδα και/ή το χειριστή προς οποιαδήποτε κατεύθυνση, με κίνδυνο να χαθεί ο έλεγχος της μονάδας.
 - Η ανάκρουση του δίσκου κοπής μπορεί να συμβεί απροειδοποίητα, αν η λεπίδα πάθει εμπλοκή, σβήσει ή κολλήσει.

- Η ανάκρουση του δίσκου κοπής είναι πιθανότερο να συμβεί σε περιοχές όπου δεν διακρίνεται καλά το υλικό που κόβει το μηχανήμα.

- Μην προσαρτάτε λεπίδες σε μια μονάδα χωρίς σωστή εγκατάσταση των απαιτούμενων εξαρτημάτων. Εάν δεν χρησιμοποιούνται τα σωστά εξαρτήματα μπορεί να προκαληθεί εκτόξευση της λεπίδας και σοβαρός τραυματισμός του χειριστή ή/και των παρευρισκόμενων. Απορρίψτε τις λεπίδες που έχουν λυγίσει, στραβώσει, ραγίσει, σπάσει ή καταστραφεί με οποιοδήποτε τρόπο. Χρησιμοποιείτε αιχμηρές λεπίδες. Μια στομωμένη λεπίδα έχει περισσότερες πιθανότητες να σκαλώσει και να αναπηδήσει (χρήση μόνο λεπίδας 3 οδοντώσεων).
- Μια λεπίδα/Ένα νήμα που κινείται ελεύθερα μπορεί να προκαλέσει τραυματισμό όταν συνεχίζει να περιστρέφεται αφού σβήσει ο κινητήρας ή απελευθερωθεί η σκανδάλη. Διατηρείτε καλό έλεγχο μέχρι να σταματήσει τελείως η περιστροφή της λεπίδας/του νήματος.
- Να χρησιμοποιείται μόνο με τις συστοιχίες μπαταριών και τους φορτιστές που αναφέρονται στην εικ. Α.
- Τα εργαλεία μπαταρίας δεν πρέπει να συνδέονται σε ηλεκτρική πρίζα. Γι' αυτό βρίσκονται πάντα σε κατάσταση λειτουργίας. Προσέχετε πιθανούς κινδύνους ακόμα και όταν το εργαλείο δεν λειτουργεί. Προσέχετε όταν διεξάγετε συντήρηση ή σέρβις.
- Μην πλένετε με λάστιχο. Αποφεύγετε να εισέρχεται νερό στον κινητήρα και στις ηλεκτρικές συνδέσεις.
- Εάν προκύψουν καταστάσεις που δεν καλύπτονται στο παρόν εγχειρίδιο, να είστε προσεκτικοί και να κρινετε σωστά. Επικοινωνήστε με το κέντρο σέρβις πελατών της EGO για βοήθεια.

ΦΥΛΑΞΤΕ ΑΥΤΕΣ ΤΙΣ ΟΔΗΓΙΕΣ!

ΠΡΟΔΙΑΓΡΑΦΕΣ

Τάση	56 V ---
Ταχύτητα χωρίς φορτίο	4000-5800/λεπτό
Μηχανισμός κοπής	Κεφαλή πρόσκρουσης
Τύπος νήματος κοπής	2,4mm νάιλον συστρεφόμενο νήμα
Πλάτος κοπής	38 cm
Προτεινόμενη θερμοκρασία λειτουργίας	0°C-40°C
Προτεινόμενη θερμοκρασία αποθήκευσης	-20°C-70°C

Βάρος (χωρίς τη συστοιχία μπαταριών)	3,2 kg	
Μετρημένη στάθμη ηχητικής ισχύος L_{WA}	92,6 dB(A) K=0,8 dB(A)	
Στάθμη ηχητικής πίεσης στα αφτιά του χειριστή L_{PA}	72,6 dB(A) K=2,5 dB(A)	
Εγγυημένη στάθμη ηχητικής ισχύος L_{WA} (σύμφωνα με το 2000/14/EC)	93 dB(A)	
Δονήσεις a_n	Λαβή μπροστινής υποβοήθησης	3,5 m/s ² K=1,5 m/s ²
	Οπίσθια λαβή	2,1 m/s ² K=1,5 m/s ²

- Η αναφερόμενη συνολική τιμή κραδασμών έχει μετρηθεί σύμφωνα με την πρότυπη μέθοδο ελέγχου και μπορεί να χρησιμοποιηθεί για τη σύγκριση ενός εργαλείου με κάποιο άλλο.
- Η αναφερόμενη συνολική τιμή κραδασμών μπορεί να χρησιμοποιηθεί επίσης για την προκαταρκτική αξιολόγηση της έκθεσης.

ΣΗΜΕΙΩΣΗ: Οι εκπομπές κραδασμών κατά τη διάρκεια της πραγματικής χρήσης του ηλεκτρικού εργαλείου μπορεί να διαφέρουν από τη δηλωμένη τιμή στην οποία χρησιμοποιείται το εργαλείο. Για την προστασία του χειριστή, πρέπει να χρησιμοποιούνται γάντια και προστασία της ακοής στις πραγματικές συνθήκες χρήσης.

ΚΑΤΑΛΟΓΟΣ ΕΞΑΡΤΗΜΑΤΩΝ ΣΥΣΚΕΥΑΣΙΑΣ

ΟΝΟΜΑ ΕΞΑΡΤΗΜΑΤΟΣ	ΠΟΣΟΤΗΤΑ
Χλοοκοπτικό με νήμα	1
Προστατευτικό	1
Μονάδα λαβής μπροστινής υποβοήθησης	1
Ιμάντας πρόσδεσης ώμου	1
Εξάγωνο κλειδί	1
Εγχειρίδιο χρήσης	1
Νήμα κοπής	1

ΠΕΡΙΓΡΑΦΗ

ΓΝΩΡΙΣΤΕ ΤΟ ΦΥΣΗΤΗΡΑ ΣΑΣ (Εικ. Α)

1. Οπίσθια λαβή
2. Διακόπτης-σκανδάλη
3. Κουμπί ασφάλισης

4. Ρυθμιζόμενη λαβή μπροστινής υποβοήθησης
5. Ιμάντας ώμου
6. Άξονας
7. Προστατευτικό
8. Κουμπί απελευθέρωσης της μπαταρίας
9. Μάνταλο
10. Ηλεκτρικές επαφές
11. Μηχανισμός εκτόξευσης
12. Κεφαλή χλοοκοπτικού (κεφαλή πρόσκρουσης)
13. Κουμπί τροφοδοσίας νήματος
14. Νήμα κοπής
15. Γλωτίδα αποδέσμευσης
16. Νήμα-Λεπίδα κοπής
17. Εξάγωνο κλειδί

ΣΥΝΑΡΜΟΛΟΓΗΣΗ

⚠️ ΠΡΟΕΙΔΟΠΟΙΗΣΗ: Σε περίπτωση που κάποια από τα εξαρτήματα έχουν υποστεί ζημιά ή λείπουν, μη χρησιμοποιήσετε το μηχάνημα, μέχρι να αντικατασταθούν. Η χρήση αυτού του προϊόντος με φθαρμένα ή ελλιπή εξαρτήματα μπορεί να έχει σαν αποτέλεσμα σοβαρό ατομικό τραυματισμό.

⚠️ ΠΡΟΕΙΔΟΠΟΙΗΣΗ: Μην επιχειρήσετε να τροποποιήσετε αυτό το εργαλείο ή να χρησιμοποιήσετε εξαρτήματα που δεν συστήνονται για χρήση με αυτό το χλοοκοπτικό με νήμα. Οποιαδήποτε τέτοια μετατροπή ή τροποποίηση

μπορεί να προκαλέσει επικίνδυνες συνθήκες με επακόλουθο σοβαρό τραυματισμό

⚠️ ΠΡΟΕΙΔΟΠΟΙΗΣΗ: Για να εμποδίσετε τυχαία εκκίνηση που θα μπορούσε να προκαλέσει σοβαρό ατομικό τραυματισμό, απομακρύνετε πάντα τη συστοιχία μπαταριών από το εργαλείο όταν συναρμολογείτε εξαρτήματα.

ΤΟΠΟΘΕΤΗΣΗ ΤΟΥ ΠΡΟΣΤΑΤΕΥΤΙΚΟΥ

⚠️ ΠΡΟΕΙΔΟΠΟΙΗΣΗ: Φοράτε πάντα γάντια κατά την τοποθέτηση ή αντικατάσταση του προστατευτικού. Προσέχετε τη λεπίδα στο προστατευτικό και προστατεύετε το χέρι σας από κοπή.

⚠️ ΠΡΟΕΙΔΟΠΟΙΗΣΗ: Ποτέ μη χειρίζεστε το εργαλείο χωρίς το προστατευτικό στη θέση του. Το προστατευτικό πρέπει να βρίσκεται πάντα στο εργαλείο για την προστασία του χρήστη! Όταν το προστατευτικό έχει στερεωθεί, ποτέ μην προσπαθείτε να το απομακρύνετε ή να το ρυθμίσετε. Εάν απαιτείται αντικατάσταση πρέπει να διεξαχθεί από εξειδικευμένο τεχνικό του σέρβις!

Ευθυγραμμίστε τα δύο μπουλόνια που είναι προσηυαμολογημένα στο προστατευτικό, με τις δύο σπές βιδών στον άξονα (Εικ. Β) και κατόπιν σφίξτε τα με το παρεχόμενο εξάγωνο κλειδί (Εικ. C).

Εξασφαλίστε ότι το προστατευτικό έχει σφίχτεί σύμφωνα με τις Εικ. Β & C, οποιαδήποτε αντίστροφη στερέωση θα προκαλέσει εξαιρετικά σοβαρό κίνδυνο!

ΤΟΠΟΘΕΤΗΣΗ ΚΑΙ ΡΥΘΜΙΣΗ ΤΗΣ ΛΑΒΗΣ ΜΠΡΟΣΤΙΝΗΣ ΥΠΟΒΟΗΘΗΣΗΣ

Ωθήστε τη λαβή μπροστινής υποβοήθησης επάνω στον άξονα (Εικ. Ε), κατόπιν εισαγάγετε το μπλοκ σύσφιξης μέσα στην εσοχή λαβής (Εικ. F), τοποθετήστε το κοντάρι ασφάλισης και τον σφικτήρα, ασφαλίστε τα αυτά με την πεταλούδα (Εικ. G). Αυτή η αλληλουχία φαίνεται στην Εικ. D. Τέλος ρυθμίστε τη λαβή μπροστινής υποβοήθησης μεταξύ του μαλακού χιτωνίου και της ετικέτας ώστε να εξασφαλίσετε ότι ο μπροστινός σας βραχιόνια είναι ίσιος κατά τη χρήση του χλοοκοπτικού (Εικ. Η) και κατόπιν κλειδώστε το μοχλό του κονταριού ασφάλισης (Εικ. Ι).

Εικ. D & Η Περιγραφή εξαρτημάτων, δείτε παρακάτω:

D-1	Ρυθμιζόμενη λαβή μπροστινής υποβοήθησης	D-4	Πεταλούδα
D-2	Κοντάρι ασφάλισης	H-1	Μαλακό χιτώνιο
D-3	Μπλοκ σύσφιξης	H-2	Ετικέτα προειδοποίησης

ΣΗΜΕΙΩΣΗ: Η λαβή μπροστινής υποβοήθησης πρέπει να περιστραφεί προς τα επάνω ώστε να δείχνει προς το άνω μέρος της πίσω λαβής.

ΠΡΟΕΙΔΟΠΟΙΗΣΗ: Στερεώνετε τη λαβή μπροστινής υποβοήθησης μόνο ανάμεσα στο μαλακό χιτώνιο και στην ετικέτα του άξονα.

ΠΡΟΕΙΔΟΠΟΙΗΣΗ: Το εργαλείο δεν μπορεί να χρησιμοποιηθεί χωρίς να έχει στερεωθεί με ασφάλεια η λαβή μπροστινής υποβοήθησης.

ΤΟΠΟΘΕΤΗΣΗ ΤΟΥ ΙΜΑΝΤΑ ΩΜΟΥ

1. Λασκάρετε και απομακρύνετε το μπουλόνι στο άγκιστρο του ιμάντα (Εικ. J1 & J1).
2. Προσαρτήστε το άγκιστρο επάνω στον άξονα όπως φαίνεται στην Εικ. J3 και ασφαλίστε το με το μπουλόνι (Εικ. J4).

ΠΡΟΕΙΔΟΠΟΙΗΣΗ: Στερεώνετε το άγκιστρο του ιμάντα μόνο μεταξύ του περιβλήματος και του μαλακού χιτωνίου στον άξονα.

ΛΕΙΤΟΥΡΓΙΑ

ΠΡΟΕΙΔΟΠΟΙΗΣΗ: Η εξοικειωσή σας με αυτό το προϊόν δε θα πρέπει να σας κάνει λιγότερο προσεκτικούς. Θυμηθείτε πως ένα κλάσμα δευτερολέπτου απροσεξίας μπορεί να προκαλέσει σοβαρό τραυματισμό.

ΠΡΟΕΙΔΟΠΟΙΗΣΗ: Φοράτε πάντα προστατευτικά γυαλιά ή προστασία για τα μάτια με πλάγια προστατευτικά μαζί με προστασία ακοής. Σε αντίθετη περίπτωση, είναι πιθανό να υπάρξει εκτόξευση αντικειμένων στα μάτια σας και άλλοι πιθανοί σοβαροί τραυματισμοί.

ΠΡΟΕΙΔΟΠΟΙΗΣΗ: Μη χρησιμοποιείτε εξαρτήματα που δε συνιστώνται από τον κατασκευαστή αυτού του προϊόντος. Η χρήση παρελκόμενων ή εξαρτημάτων που δε συνιστώνται από τον κατασκευαστή, ενέχει τον κίνδυνο σοβαρού τραυματισμού.

ΠΡΟΕΙΔΟΠΟΙΗΣΗ: Για να εμποδίσετε σοβαρό ατομικό τραυματισμό, απομακρύνετε τη συστοιχία μπαταριών από το εργαλείο πριν από σέρβις, καθαρισμό, αλλαγή προσαρτημάτων ή αφαίρεση υλικού από τη μονάδα. Μπορείτε να χρησιμοποιήσετε αυτό το προϊόν για τους κατωτέρω αναφερόμενους σκοπούς:

Τριμάρισμα: χρησιμοποιείται για την απομάκρυνση γρασιδιού και αγριόχορτων σε τοίχους, φράχτες, δέντρα και όρια.

Κοπή: χρησιμοποιείται για την κοπή γρασιδιού στο οποίο η πρόσβαση είναι δύσκολη με κανονικό μηχανήμα κοπής χορταριού.

ΣΗΜΕΙΩΣΗ: Το εργαλείο πρέπει να χρησιμοποιείται αποκλειστικά για τη σκοπούμενη χρήση. Οποιαδήποτε άλλη χρήση, για παράδειγμα τριμάρισμα άκρων, θα χαρακτηριστεί ως περίπτωση κακής χρήσης.

ΠΡΟΣΑΡΤΗΣΗ/ΑΠΟΜΑΚΡΥΝΣΗ ΤΗΣ ΣΥΣΤΟΙΧΙΑΣ ΜΠΑΤΑΡΙΩΝ

ΣΗΜΕΙΩΣΗ: Για καλύτερη ισορροπία όταν χρησιμοποιείτε τις μπαταρίες BA3360/BA4200/BA4200T/BA5600T να τις συνδυάζετε με τον ιμάντα σακιδίου (BH1000).

Φορτίστε πλήρως πριν από την πρώτη χρήση.

Για την προσάρτηση

Ευθυγραμμίστε τις νευρώσεις μπαταρίας με τις σπές τοποθέτησης και πιέστε τη συστοιχία μπαταριών κάτω, έως ότου ακούσετε ένα «κλικ» (Εικ. K2).

Για την απομάκρυνση

Πιέστε το κουμπί αποδέσμευσης μπαταρίας και βγάλτε έξω τη συστοιχία μπαταριών όπως φαίνεται στην Εικ. L.

Εικ. K1 & K2 Περιγραφή εξαρτημάτων, δείτε παρακάτω:

K-1	Συστοιχία μπαταριών BA3360/BA4200/ BA4200T/BA5600T	K-4	Μάνταλο
K-2	Αντάπτορας	K-5	Υποδοχή τοποθέτησης μπαταρίας
K-3	Ιμάντας σακιδίου		

ΤΡΟΠΟΣ ΣΥΓΚΡΑΤΗΣΗΣ ΤΟΥ ΧΛΟΟΚΟΠΤΙΚΟΥ ΜΕ ΝΗΜΑ

⚠️ ΠΡΟΕΙΔΟΠΟΙΗΣΗ: Ντύνεστε κατάλληλα για τη μείωση κινδύνου τραυματισμού κατά τη λειτουργία αυτού του εργαλείου. Μη φοράτε φαρδιά ρούχα ή κοσμήματα. Φοράτε προστατευτικά γυαλιά και προστατευτικό αφιών/ακοής. Φοράτε βαριά, μακριά παντελόνια, μπότες και γάντια. Μην φοράτε κοντά παντελόνια, σανδάλια και μην είστε ξυπόλυτοι.

Πριν τη λειτουργία, κρατήστε το χλοοκοπτικό και με τα δύο χέρια, το ένα χέρι στην πίσω λαβή και το άλλο στη λαβή μπροστινής υποβοήθησης που θα είναι ίσια (Εικ. Μ). Κατόπιν βεβαιωθείτε ότι στέκεστε με ισορροπία και σε σωστή απόσταση κοπής.

ΣΗΜΕΙΩΣΗ: Η κεφαλή χορτοκοπτικού πρέπει να είναι παράλληλα προς το έδαφος σε μια σωστή απόσταση κοπής χωρίς ο χειριστής να σκιάει.

ΕΝΑΡΞΗ/ΣΤΑΜΑΤΗΜΑ ΤΟΥ ΧΛΟΟΚΟΠΤΙΚΟΥ ΜΕ ΝΗΜΑ

GR

Έναρξη

Πατήστε κάτω το κουμπί ασφάλισης, κατόπιν πιέστε τη σκανδάλη. Διαφορετική πίεση στη σκανδάλη επιφέρει μεταβλητή ταχύτητα περιστροφής του νήματος κοπής. Περισσότερη πίεση, υψηλότερη ταχύτητα.

Σταμάτημα

Αποδεσμεύστε το κουμπί κλειδώματος και τη σκανδάλη.

ΣΗΜΕΙΩΣΗ: Ο κινητήρας λειτουργεί μόνο όταν το κουμπί ασφάλισης και η σκανδάλη πιέζονται μαζί.

⚠️ ΠΡΟΕΙΔΟΠΟΙΗΣΗ: Πάντα απομακρύνετε τη συστοιχία μπαταριών από το χλοοκοπτικό με νήμα κατά τη διάρκεια διαλειμμάτων και μετά την ολοκλήρωση της εργασίας.

ΧΡΗΣΗ ΤΟΥ ΧΛΟΟΚΟΠΤΙΚΟΥ ΜΕ ΝΗΜΑ

⚠️ ΠΡΟΕΙΔΟΠΟΙΗΣΗ: Προς αποφυγή σοβαρού ατομικού τραυματισμού, φοράτε πάντα προστατευτικά γυαλιά ή γυαλιά προστασίας κατά τη λειτουργία αυτής της μονάδας. Φοράτε μια μάσκα προσώπου ή προστασία από σκόνη σε τοποθεσίες με σκόνη.

Καθαρίζετε την περιοχή κοπής πριν από κάθε χρήση. Απομακρύνετε όλα τα αντικείμενα όπως πέτρες, σπασμένα γυαλιά, καρφιά, σύρματα ή νήματα τα οποία μπορεί να πεταχτούν ή να μπερδευτούν στο προσάρτημα κοπής. Εκκενώνετε το χώρο από παιδιά, παρευρισκόμενους και κατοικίδια. Τα παιδιά, οι παρευρισκόμενοι και τα κατοικίδια πρέπει να βρίσκονται τουλάχιστον 15 μ. μακριά. Μπορεί να συνεχίζει να υπάρχει κίνδυνος για τους παρευρισκόμενους λόγω εκτοξευμένων αντικειμένων. Οι παρευρισκόμενοι πρέπει να ενθαρρύνονται να φοράνε προστασία για τα μάτια. Εάν σας προσεγγίσουν, σταματήστε το μοτέρ και το προσάρτημα κοπής αμέσως.

Πριν από κάθε χρήση ελέγχετε για εξαρτήματα με ζημιές/φορές

Ελέγχετε την κεφαλή πρόσκρουσης, το προστατευτικό και τη λαβή μπροστινής υποβοήθησης και αντικαθιστάτε τα εξαρτήματα που έχουν ρωγμές, παραμόρφωση, λυγίσματα ή ζημιές οποιουδήποτε είδους.

Η λεπίδα κοπής νήματος στο άκρο του προστατευτικού μπορεί να στομώσει με την πάροδο του χρόνου. Συστήνεται να την τροχίζετε ανά τακτά χρονικά διαστήματα με μια λίμα ή να την αντικαθιστάτε με νέα.

⚠️ ΠΡΟΕΙΔΟΠΟΙΗΣΗ: Φοράτε πάντα γάντια κατά την τοποθέτηση του προστατευτικού ή το σέρβις της λεπίδας. Προσέχετε τη λεπίδα στο προστατευτικό και προστατεύετε το χέρι σας από κοπή.

Μετά από κάθε χρήση, καθαρίζετε το χλοοκοπτικό.

ΠΡΟΦΥΛΑΞΗ: Εμπόδια στις σπές εμποδίζουν ροή του αέρα στο περιβλήμα μοτέρ και έχουν σαν αποτέλεσμα υπερθέρμανση ή ζημιά στο μοτέρ.

Χρησιμοποιείτε μόνο ήπιο σαπούνι και ένα νωπό πανί για τον καθαρισμό του εργαλείου. Ποτέ μην επιτρέψετε υγρά να φτάνουν στο εσωτερικό του εργαλείου. Ποτέ μην βυθίζετε κανένα τμήμα του εργαλείου μέσα σε υγρά.

- Διατηρείτε πάντα τις σπές αερισμού στο περιβλήμα μοτέρ και τον άξονα ελεύθερες από υπολείμματα.

⚠ ΠΡΟΕΙΔΟΠΟΙΗΣΗ: Ποτέ μη χρησιμοποιείτε νερό για τον καθαρισμό του θαμνοκοπτικού σας. Αποφύγετε τη χρήση διαλυτών κατά τον καθαρισμό των πλαστικών εξαρτημάτων. Τα περισσότερα πλαστικά είναι ευπαθή στη χρήση διαφόρων τύπων διαλυτών του εμπορίου. Χρησιμοποιείτε καθαρό πανί για την απομάκρυνση βρωμιάς, σκόνης, λαδιού, γράσου κτλ.

ΥΠΟΔΕΙΞΙΣ ΓΙΑ ΚΑΛΥΤΕΡΑ ΑΠΟΤΕΛΕΣΜΑΤΑ ΚΟΠΗΣ (ΕΙΚ. Ν)

- Η σωστή γωνία για το προσάρτημα κοπής είναι παράλληλα προς το έδαφος.
- Μη ζορίζετε το χλοοκοπτικό. Επιτρέψτε η ακμή του νήματος να κάνει την κοπή (ειδικά κατά μήκος των τοίχων). Η κοπή με μεγαλύτερο μέρος από την ακμή μειώνει την απόδοση κοπής και μπορεί να υπερφορτώσει τον κινητήρα.
- Το ύψος κοπής καθορίζεται από την απόσταση του νήματος κοπής από την επιφάνεια γρασιδιού.
- Γρασίδι πάνω από 20 εκ. πρέπει να κόβεται με προοδευτική εργασία από το άνω μέρος προς το κάτω σε μικρά βήματα προς αποφυγή πρόωρης φθοράς του νήματος ή οπισθέλκουσα του κινητήρα.
- Μετακινήστε αργά το χλοοκοπτικό μέσα και έξω από από τον τομέα κοπής διατηρώντας τη θέση κεφαλής κοπής στο επιθυμητό ύψος κοπής. Αυτή η κίνηση είτε μπορεί να είναι κίνηση προς τα εμπρός - πίσω είτε από άκρη σε άκρη. Η κοπή μικρότερους μήκους δίνει καλύτερα αποτελέσματα.
- Κόβετε μόνο όταν το γρασίδι και τα αγριόχορτα είναι στεγνά.
- Οι συρμάνινοι φράχτες και οι φράχτες με πασσάλους μπορούν να προκαλέσουν επιπλέον φθορά ή κοπή του νήματος. Οι πέτρινοι τοίχοι και οι τοίχοι από τούβλα, τα κράσπεδα και το ξύλο μπορούν να φθείρουν γρήγορα το νήμα.
- Αποφεύγετε δέντρα και θάμνους. Ο φλοιός δέντρων, το τοναρισμένο ξύλο, οι επενδύσεις και οι στυλίσκοι φραχτών μπορούν να φθαρούν εύκολα από το νήμα.

Εικ. Ν Περιγραφή εξαρτημάτων, δείτε παρακάτω:

N-1	Ο καλύτερος τομέας κοπής	N-2	Επικίνδυνος τομέας κοπής
-----	--------------------------	-----	--------------------------

ΡΥΘΜΙΣΗ ΤΟΥ ΜΗΚΟΥ ΝΗΜΑΤΟΣ ΚΟΠΗΣ

Η κεφαλή χλοοκοπτικού επιτρέπει στον χειριστή να αποδεσμεύσει περισσότερο νήμα κοπής χωρίς να σταματήσει το μοτέρ. Καθώς το νήμα ξεφτίζει ή φθείρεται, μπορεί να αποδεσμευτεί περισσότερο νήμα πατώντας ελαφρά το συγκρατητήρα καρουλιού στο έδαφος ενώ λειτουργεί το χλοοκοπτικό (Εικ. Ο).

ΣΗΜΕΙΩΣΗ: Η αποδέσμευση νήματος θα είναι πιο δύσκολη καθώς το νήμα κοπής γίνεται πιο κοντό.

⚠ ΠΡΟΕΙΔΟΠΟΙΗΣΗ: Μην απομακρύνετε ή τροποποιείτε τη μονάδα λεπίδας κοπής νήματος. Υπερβάλλον μήκος νήματος θα προκαλέσει υπερθέρμανση στο μοτέρ και μπορεί να προκύψει σοβαρός ατομικός τραυματισμός.

ΑΝΤΙΚΑΤΑΣΤΑΣΗ ΝΗΜΑΤΟΣ

ΣΗΜΕΙΩΣΗ: Χρησιμοποιείτε πάντα το προτεινόμενο νήμα κοπής με μια διάμετρο που δεν υπερβαίνει τα 2,4 χιλ. Η χρήση νήματος διαφορετικού από το καθορισμένο μπορεί να προκαλέσει υπερθέρμανση ή ζημιά στο χλοοκοπτικό με μεσινέζα.

⚠ ΠΡΟΕΙΔΟΠΟΙΗΣΗ: Ποτέ μη χρησιμοποιείτε νήμα με μεταλλική ενίσχυση, σύρμα ή σχονί κ.λπ. Αυτά μπορεί να σπάσουν και να εκτοξευθούν.

Το χλοοκοπτικό μεσινάζας είναι εξοπλισμένο με ένα προηγμένο αυτόματο σύστημα περιτύλιξης νήματος. Το νήμα κοπής μπορεί να τυλιχτεί επάνω στο καρούλι απλά πιέζοντας ένα μόνο κουμπί. Η φόρτωση ενός πλήρους

καρουλιού ολοκληρώνεται συνήθως σε 12 δευτερόλεπτα. Αποφεύγετε την επαναλαμβανόμενη λειτουργία του συστήματος περιτύλιξης με γρήγορες διαδοχικές διαδικασίες ώστε να μειώνετε την πιθανότητα ζημιά στον κινητήρα.

1. Αφαιρέστε τη συστοιχία μπαταριών.
2. Απομακρύνετε το υπόλοιπο νήμα κοπής, εφόσον απαιτείται. Απλά τραβήξτε το έξω με το χέρι.
3. Κόψτε ένα τμήμα του νήματος κοπής (4 μ.). Εισαγάγετε το νήμα στο οφθαλμίδιο (Εικ. Ρ) και ωήστε το νήμα μέχρι το άκρο του νήματος να έξω από το αντίθετο οφθαλμίδιο.

Εικ. Ρ Περιγραφή εξαρτημάτων, δείτε παρακάτω:

P-1	Griezējaukļa	P-3	Actīna
P-2	Arakšējā dala		

4. Απομακρύνετε την μπαταρία εάν έχει τοποθετηθεί επάνω στο χλοοκοπτικό μεσινέζας στο προηγούμενο βήμα.

- Τραβήξτε το νήμα από την άλλη πλευρά, έως ότου εμφανιστούν ίσα μήκη νήματος και στις δύο πλευρές της κεφαλής χλοοκοπτικού (Εικ. Q).
- Εγκαταστήστε τη συστοιχία μπαταριών επάνω στο χλοοκοπτικό μεσινέζας. Πιέστε και κρατήστε το κουμπί τροφοδοσίας νήματος για να εκκινήσετε τον κινητήρα τύλιξης νήματος. Το νήμα θα τυλιγεται συνεχώς στην κεφαλή χλοοκοπτικού (Εικ. R).
- Παρακολουθείτε σωστά το υπόλοιπο μήκος νήματος. Προετοιμαστείτε για αποδέσμευση του κουμπιού μόλις μείνουν περ. 18 εκ. νήματος σε κάθε πλευρά. Πιέστε σύντομα το κουμπί τροφοδοσίας νήματος μέχρι να φαίνονται 14 εκ. νήματος σε κάθε πλευρά.
- Πιέστε κάτω την κεφαλή χλοοκοπτικού ενώ τραβάτε τα νήματα για να προωθήσετε χειροκίνητα το νήμα και για να ελέγξετε τη σωστή συναρμολόγηση του νήματος χλοοκοπτικού.

ΣΗΜΕΙΩΣΗ: Σε περίπτωση που το νήμα τραβηχτεί κατά λάθος στην κεφαλή χλοοκοπτικού, ανοίξτε την κεφαλή και τραβήξτε το νήμα κοπής έξω από το καρούλι. Ακολουθήστε τις οδηγίες στο απόσπασμα «ΕΠΑΝΑΦΟΡΤΩΣΗ ΤΟΥ ΝΗΜΑΤΟΣ ΚΟΠΗΣ» στο παρόν εγχειρίδιο για να επαναφορτώσετε το νήμα.

ΕΠΑΝΑΦΟΡΤΩΣΗ ΤΟΥ ΝΗΜΑΤΟΣ ΚΟΠΗΣ

Όταν σπάσει το νήμα κοπής από την έξοδο νήματος ή το νήμα κοπής δεν αποδεσμευτεί όταν χτυπηθεί η κεφαλή χλοοκοπτικού, ακολουθήστε τα κατωτέρω βήματα για να απομακρύνετε το υπόλοιπο νήμα κοπής και να επαναφορτώσετε το νήμα.

- Πιέστε τις δύο γλωττίδες αποδέσμευσης στην κεφαλή χλοοκοπτικού και αφαιρέστε την κεφαλή χλοοκοπτικού τραβώντας την ίσια προς τα έξω (Εικ. S-1 & S-2).
- Απομακρύνετε το νήμα κοπής από την κεφαλή χλοοκοπτικού και εισαγάγετε το ελατήριο μέσα στην υποδοχή στο συγκρότημα κάτω καλύμματος (Εικ. T).
- Κρατώντας με το ένα χέρι το χλοοκοπτικό χρησιμοποιήστε το άλλο χέρι για να πιάσετε το συγκρότημα κάτω καλύμματος και ευθυγραμμίστε τις υποδοχές στο συγκρότημα κάτω καλύμματος με τις γλωττίδες αποδέσμευσης. Πιέστε το συγκρότημα κάτω καλύμματος μέχρι να κουμπώσει στη θέση του οπότε και θα ακούσετε έναν σαφή ήχο ασφάλισης (Εικ. U).
- Ακολουθήστε τις οδηγίες στο απόσπασμα «ΑΝΤΙΚΑΤΑΣΤΑΣΗ ΝΗΜΑΤΟΣ» για να επαναφορτώσετε το νήμα κοπής.

Εικ. S1 & T & U Για την περιγραφή των εξαρτημάτων δείτε παρακάτω:

S1-1	Συγκρότημα κάτω καλύμματος	U-1	Γλωττίδα αποδέσμευσης
S1-2	Γλωττίδα αποδέσμευσης	U-2	Υποδοχή
T-1	Ελατήριο		

ΑΝΤΙΚΑΤΑΣΤΑΣΗ ΚΕΦΑΛΗΣ ΧΛΟΟΚΟΠΤΙΚΟΥ

⚠️ ΠΡΟΕΙΔΟΠΟΙΗΣΗ: Εάν η κεφαλή λασκάρει μετά τη στερέωση της, αντικαταστήστε την αμέσως. Ποτέ μη χρησιμοποιείτε ένα χλοοκοπτικό με λασκαρισμένο προσάρτημα κοπής. Αντικαθιστάτε μια ραγιαμένη, με ζημιές ή φθαρμένη κεφαλή κοπής αμέσως, ακόμα και εάν η ζημιά είναι μόνο επιφανειακές ρωγμές. Τέτοια προσάρτηματα μπορεί να σπάζουν σε υψηλή ταχύτητα και να προκαλέσουν σοβαρό τραυματισμό.

Απομάκρυνση κεφαλής χλοοκοπτικού

- Απομακρύνετε τη συστοιχία μπαταριών από το χλοοκοπτικό μεσινέζας.
- Πιέστε τις γλωττίδες αποδέσμευσης στην κεφαλή χλοοκοπτικού και απομακρύνετε το κάτω συγκρότημα καλύμματος της κεφαλής χλοοκοπτικού τραβώντας το ίσια προς τα έξω

(Εικ. S1 & S2).

- Απομακρύνετε το νήμα κοπής από την κεφαλή χλοοκοπτικού (Εικ. V).
- Απομακρύνετε το ελατήριο από το συγκρότημα ελατηρίου εάν απαιτείται. Αποθηκεύστε το για την επανασυναρμολόγηση.
- Φοράτε γάντια. Χρησιμοποιήστε το ένα χέρι για να πιάσετε το συγκρότημα καρουλιού και να το σταθεροποιήσετε και χρησιμοποιήστε το άλλο χέρι για να κρατήσετε ένα εργαλείο τοποθέτησης περικοχλίων για το λασκάρισμα του παξιμαδιού με αριστερόστροφη κατεύθυνση (Εικ. W).
- Απομακρύνετε το παξιμάδι, τη ροδέλα, το συγκρότημα καρουλιού και το επάνω κάλυμμα από τον άξονα κινητήρα (Εικ. X).
- Χρησιμοποιήστε πένσα γκρόβερ για να απομακρύνετε το γκρόβερ. Απομακρύνετε το συγκρότημα ανεμιστήρα (Εικ. Y).
- Αντικαταστήστε με μια νέα κεφαλή χλοοκοπτικού και τοποθετήστε με τα εξής βήματα.

Εικ. W & X & Y Για την περιγραφή των εξαρτημάτων δείτε παρακάτω:

W-1	Κλειδί τοποθέτησης περικοχλίων	X-4	Παξιμάδι
X-1	Άνω κάλυμμα	Y-1	Συγκρότημα ανεμιστήρα
X-2	Συγκρότημα καρουλιού	Y-2	Γκρόβερ
X-3	Ροδέλα		

Εγκατάσταση της νέας κεφαλής χλοοκοπτικού

- Ευθυγραμμίστε την υποδοχή κλειδιού στο συγκρότημα ανεμιστήρα με τη σφήνα στον άξονα μοτέρ και τοποθετήστε το συγκρότημα ανεμιστήρα στη θέση του (Εικ. Ζ).
- Τοποθετήστε το γκρόβερ, το άνω κάλυμμα, το συγκρότημα καρουλιού και τη ροδέλα με αυτή τη σειρά. Χρησιμοποιήστε ένα κλειδί τοποθέτησης περικοχλίων επάνω στο περικόχλιο για να το σφίξετε.
- Ακολουθήστε τις οδηγίες στο απόσπασμα «**ΕΠΑΝΑΦΟΡΤΩΣΗ ΤΟΥ ΝΗΜΑΤΟΣ ΚΟΠΗΣ**» στο παρόν εγχειρίδιο για να τοποθετήσετε το συγκρότημα κάτω καλύμματος.
- Ακολουθήστε τις οδηγίες στο απόσπασμα «**ΑΝΤΙΚΑΤΑΣΤΑΣΗ ΝΗΜΑΤΟΣ**» στο παρόν εγχειρίδιο για να επαναφορτώσετε το νήμα κοπής.
- Εκκινήστε το εργαλείο για να δείτε εάν το χλοοκοπτικό μεσινέζας λειτουργεί φυσιολογικά. Εάν δεν λειτουργεί σωστά, επανασυναρμολογήστε όπως περιγράφεται παραπάνω.

Εικ. Ζ Περιγραφή εξαρτημάτων, δείτε παρακάτω:

Z-1	Σφήνα	Z-2	Εγκοπτή κλειδιού
-----	-------	-----	------------------

ΣΥΝΤΗΡΗΣΗ

⚠ ΠΡΟΕΙΔΟΠΟΙΗΣΗ: Όταν κάνετε συντήρηση του εργαλείου, χρησιμοποιείτε μόνο ίδια ανταλλακτικά. Η χρήση οποιωνδήποτε άλλων εξαρτημάτων μπορεί να προκαλέσει κίνδυνο ή υλικές ζημιές. Για να διασφαλίσετε την ασφάλεια και την αξιοπιστία, όλες οι επισκευές και οι αντικαταστάσεις πρέπει να διεξάγονται από εξειδικευμένο τεχνικό του σέρβις.

⚠ ΠΡΟΕΙΔΟΠΟΙΗΣΗ: Τα εργαλεία μπαταρίας δεν πρέπει να συνδέονται σε ηλεκτρική πρίζα. Γι' αυτό βρίσκονται πάντα σε κατάσταση λειτουργίας. Για να εμποδίσετε σοβαρό ατομικό τραυματισμό, λάβετε επιπρόσθετα προληπτικά μέτρα και προσέχετε όταν διεξάγετε συντήρηση, σέρβις ή όταν αλλάζετε προσάρτημα κοπής ή άλλα προσάρτηματα.

⚠ ΠΡΟΕΙΔΟΠΟΙΗΣΗ: Για να εμποδίσετε σοβαρό ατομικό τραυματισμό, απομακρύνετε τη συστοιχία μπαταριών από το εργαλείο πριν από σέρβις, καθαρισμό, αλλαγή πρόσθετων ή αφαίρεση υλικού από τη μονάδα.

ΚΑΘΑΡΙΣΜΟΣ ΤΗΣ ΜΟΝΑΔΑΣ

- Καθαρίζετε τη μονάδα χρησιμοποιώντας ένα νωπό πανί με ήπιο απορρυπαντικό.
- Μη χρησιμοποιήσετε κανένα δραστικό απορρυπαντικό πάνω στο πλαστικό περίβλημα ή τη λαβή. Αυτά μπορούν να καταστραφούν από ορισμένα αρωματικά έλαια, όπως πεύκο και λεμόνι, καθώς και από διαλύτες, όπως η κηροζίνη. Η υγρασία μπορεί επίσης να προκαλέσει κίνδυνο ηλεκτροπληξίας. Σκουπίζετε ενδεχόμενη υγρασία με ένα μαλακό στεγνό πανί.
- Χρησιμοποιείτε μια μικρή βούρτσα ή την έξοδο αέρα μιας μικρής ηλεκτρικής αναρροφητικής βούρτσας για να απομακρύνετε από τις οπές αερισμού εμποδία στο πίσω περίβλημα.

ΤΡΟΧΙΣΜΑ ΝΗΜΑΤΟΣ-ΛΕΠΙΔΑΣ ΚΟΠΗΣ

⚠ ΠΡΟΕΙΔΟΠΟΙΗΣΗ: Προσέχετε πάντα τα χέρια σας φορώντας ανθεκτικά γάντια όταν διεξάγετε συντήρηση στο νήμα - λεπίδα κοπής.

- Απομακρύνετε το νήμα-λεπίδα κοπής από το προστατευτικό.
- Φοράτε σωστή προστασία για τα μάτια και γάντια και προσέχετε να μην κοπείτε.
- Ασφαλιζετε τη λεπίδα σε μια μέγγενη.
- Λιμάρετε προσεκτικά τις ακμές κοπής της λεπίδας με λίμα λεπτής οδόντωσης ή ακονόπετρα διατηρώντας την αρχική γωνία ακμής κοπής.
- Αντικαταστήστε τη λεπίδα στο προστατευτικό και ασφαλίστε την στη θέση της με δύο βίδες.

ΑΠΟΘΗΚΕΥΣΗ ΤΗΣ ΜΟΝΑΔΑΣ

- Απομακρύνετε τη συστοιχία μπαταριών από το χλοοκοπτικό με νήμα όταν δεν χρησιμοποιείται.
- Καθαρίστε το εργαλείο σχολαστικά προτού το αποθηκεύσετε.
- Αποθηκεύετε τη μονάδα σε έναν στεγνό, καλά αεριζόμενο χώρο, κλειδωμένο ή σε ψηλό σημείο, εκτός εμβέλειας παιδιών. Μην αποθηκεύετε τη μονάδα επάνω ή δίπλα σε λιπάσματα, βενζίνη ή άλλες χημικές ουσίες.

Προστασία του περιβάλλοντος



Μην απορρίπτετε τους ηλεκτρικούς εξοπλισμούς, το φορτιστή μπαταρίας και τις μπαταρίες/επαναφορτιζόμενες μπαταρίες στα οικιακά απορρίμματα!

Σύμφωνα με τον Ευρωπαϊκό νόμο 2012/19/ΕΕ, οι ηλεκτρικοί και οι ηλεκτρονικοί εξοπλισμοί που δεν χρησιμοποιούνται πλέον και σύμφωνα με τον Ευρωπαϊκό νόμο 2006/66/ΕΚ, οι ελαττωματικές ή χρησιμοποιημένες συστοιχίες μπαταριών/μπαταρίες πρέπει να συλλέγονται ξεχωριστά.

Εάν οι ηλεκτρικές συσκευές απορριφθούν στο ύπαιθρο ή σε χωματερές, τότε είναι πιθανό να διαρρεύσουν επικίνδυνες ουσίες στα υπόγεια ύδατα, με αποτέλεσμα να περάσουν στην τροφική αλυσίδα, προκαλώντας ζημιές στην υγεία και την φυσική σας κατάσταση.

ΑΝΤΙΜΕΤΩΠΙΣΗ ΠΡΟΒΛΗΜΑΤΩΝ

ΠΡΟΒΛΗΜΑ	ΑΙΤΙΑ	ΕΠΙΛΥΣΗ
Το χλοοκοπτικό με νήμα δεν εκκινείται.	<ul style="list-style-type: none"> ■ Η συστοιχία μπαταριών δεν έχει προσαρτηθεί στο χλοοκοπτικό. ■ Δεν υπάρχει ηλεκτρική επαφή μεταξύ του χλοοκοπτικού και της μπαταρίας. ■ Η συστοιχία μπαταριών έχει εξαντληθεί. ■ Το κουμπί ασφάλισης και η σκανδάλη δεν πατήθηκαν ταυτόχρονα. 	<ul style="list-style-type: none"> ■ Τοποθετήστε τη συστοιχία μπαταριών στο χλοοκοπτικό. ■ Απομακρύνετε τη μπαταρία, ελέγξτε τις επαφές και επαναγκαταστήστε τη συστοιχία μπαταριών. ■ Φορτίστε τη συστοιχία μπαταριών. ■ Πατήστε κάτω το κουμπί ασφάλισης και κρατήστε το, κατόπιν πιέστε τη σκανδάλη για να ενεργοποιήσετε το χλοοκοπτικό μεσινέζας.
Το χλοοκοπτικό ΜΕ ΝΗΜΑ σταματάει κατά την κοπή.	<ul style="list-style-type: none"> ■ Το προστατευτικό δεν έχει τοποθετηθεί στο χλοοκοπτικό με αποτέλεσμα εξαιρετικά μακριά γραμμή κοπής και υπερφόρτωση του μοτέρ. ■ Χρησιμοποιείται βαριά γραμμή κοπής. ■ Ο άξονας μοτέρ ή η κεφαλή χλοοκοπτικού έχουν μπλοκαριστεί με γρασίδι. ■ Το μοτέρ έχει υπερφορτωθεί. ■ Η συστοιχία μπαταριών ή το χλοοκοπτικό με νήμα είναι πολύ καυτά. ■ Η συστοιχία μπαταριών έχει αποσυνδεθεί από το εργαλείο. ■ Η συστοιχία μπαταριών έχει εξαντληθεί. 	<ul style="list-style-type: none"> ■ Απομακρύνετε τη συστοιχία μπαταριών και τοποθετήστε το προστατευτικό στο χλοοκοπτικό. ■ Χρησιμοποιείτε το προτεινόμενο νάιλον νήμα κοπής με διάμετρο όχι μεγαλύτερη από 2,4 χιλ. ■ Σταματήστε το χλοοκοπτικό, απομακρύνετε τη μπαταρία και αφαιρέστε το γρασίδι από τον άξονα μοτέρ και την κεφαλή χλοοκοπτικού. ■ Απομακρύνετε την κεφαλή χλοοκοπτικού από το γρασίδι. Το μοτέρ θα συνεχίσει να λειτουργεί μόλις αφαιρεθεί το φορτίο. Κατά την κοπή μετακινείτε την κεφαλή χλοοκοπτικού μέσα και έξω από το γρασίδι που θα κοπεί και μην απομακρύνετε σε μήκος περισσότερο από 20 εκ. σε μια μόνο κοπή. ■ Επιτρέψτε να κρυώσει η συστοιχία μπαταριών ή το χλοοκοπτικό, έως ότου η θερμοκρασία πέσει κάτω από τους 67°C. ■ Επαναγκαταστήστε τη συστοιχία μπαταριών. ■ Φορτίστε τη συστοιχία μπαταριών.

ΠΡΟΒΛΗΜΑ	ΑΙΤΙΑ	ΕΠΙΛΥΣΗ
<p>Η κεφαλή χλοοκοπτικού δεν προωθεί νήμα.</p>	<ul style="list-style-type: none"> ■ Ο άξονας μοτέρ ή η κεφαλή χλοοκοπτικού έχουν μπλοκαριστεί με γρασίδι. ■ Δεν υπάρχει επαρκές νήμα στον συγκρατητήρα καρουλιού. ■ Η κεφαλή χλοοκοπτικού είναι βρώμικη. ■ Το νήμα έχει μπλοκάρει στον συγκρατητήρα καρουλιού. ■ Το νήμα είναι πολύ κοντό. 	<ul style="list-style-type: none"> ■ Σταματήστε το χλοοκοπτικό, απομακρύνετε τη μπαταρία και αφαιρέστε το γρασίδι από τον άξονα μοτέρ και την κεφαλή χλοοκοπτικού. ■ Απομακρύνετε τη μπαταρία και αντικαταστήστε το νήμα κοπής. Ακολουθήστε το απόσπασμα «ΑΝΤΙΚΑΤΑΣΤΑΣΗ ΝΗΜΑΤΟΣ» στο παρόν εγχειρίδιο. ■ Απομακρύνετε τη μπαταρία και καθαρίστε το συγκρατητήρα καρουλιού και τη βάση καρουλιού. ■ Απομακρύνετε τη μπαταρία, αφαιρέστε το νήμα από το καρούλι και ξανατυλίξτε. Ακολουθήστε το απόσπασμα «ΑΝΤΙΚΑΤΑΣΤΑΣΗ ΝΗΜΑΤΟΣ» στο παρόν εγχειρίδιο. ■ Απομακρύνετε τη μπαταρία και τραβήξτε το νήμα ενώ πατάτε κάτω και αποδεσμεύετε διαδοχικά την κεφαλή χλοοκοπτικού.
<p>Τυλίγεται γρασίδι γύρω από την κεφαλή χλοοκοπτικού και από το περιβλήμα μοτέρ.</p>	<ul style="list-style-type: none"> ■ Κοπή ψηλού γρασιδιού στο επίπεδο εδάφους. 	<ul style="list-style-type: none"> ■ Κόβετε ψηλό γρασίδι από επάνω προς τα κάτω, απομακρύνοντας όχι περισσότερα από 20 εκ. σε κάθε διέλευση, ώστε να εμποδιστεί τύλιξη.
<p>Η λεπίδα δεν κόβει το νήμα.</p>	<ul style="list-style-type: none"> ■ Η λεπίδα κοπής νήματος στο άκρο του προστατευτικού έχει στομώσει. 	<ul style="list-style-type: none"> ■ Τροχίστε τη λεπίδα κοπής νήματος με μια λίμα ή αντικαταστήστε με μια νέα λεπίδα.
<p>Ρωγμές στην κεφαλή χλοοκοπτικού ή ο συγκρατητήρας καρουλιού λασκάρει με τη βάση καρουλιού.</p>	<ul style="list-style-type: none"> ■ Η κεφαλή χλοοκοπτικού έχει φθαρεί. 	<ul style="list-style-type: none"> ■ Επιτρέψτε αμέσως την αντικατάσταση της κεφαλής χλοοκοπτικού από εξειδικευμένο τεχνικό του σέρβις.
<p>Κατά την αντικατάσταση νήματος, το νήμα δεν φορτώνεται σωστά στην κεφαλή χλοοκοπτικού.</p>	<ul style="list-style-type: none"> ■ Οι γραμμές ΦΟΡΤΙΟΥ του συγκρατητήρα καρουλιού δεν ευθυγραμμίζονται με τα οφθαλμίδα στη βάση καρουλιού. ■ Το νήμα κοπής δεν έχει εισαχθεί σωστά στην οπή τοποθέτησης του οφθαλμίδου. 	<ul style="list-style-type: none"> ■ Περιστρέψτε τον συγκρατητήρα καρουλιού στην κατεύθυνση βέλους για να ευθυγραμμίσετε τις γραμμές ΦΟΡΤΙΟΥ στον συγκρατητήρα καρουλιού με τα οφθαλμίδα στη βάση καρουλιού. ■ Ευθυγραμμίστε τις γραμμές ΦΟΡΤΙΟΥ πρώτα με τα οφθαλμίδα, κατόπιν εισαγάγετε το νήμα μέσα στην οπή τοποθέτησης εντός του οφθαλμίδου.

ΕΓΓΥΗΣΗ

ΠΟΛΙΤΙΚΗ ΕΓΓΥΗΣΗΣ EGO

Επισκεφθείτε την ιστοσελίδα egopowerplus.com για όλους τους όρους και τις προϋποθέσεις της πολιτικής εγγύησης EGO.

TÜM TALİMATLARI OKUYUN!



KULLANIM KILAVUZUNU OKUYUN

⚠ Artık risk! Kalp pili gibi elektronik cihaz kullanan kişiler bu ürünü kullanmadan önce hekimlerine danışmalıdır. Elektrikli cihazların, kalp pili yakınında çalıştırılması kalp pilinde parazitte veya arızaya neden olabilir.

⚠ UYARI: Güvenliği ve güvenilirliği sağlamak için, tüm onarım işlemleri yetkili bir servis teknisyeni tarafından gerçekleştirilmelidir.

GÜVENLİK SEMBOLLERİ

Güvenlik sembollerinin amacı olası tehlikelere dikkatinizi çekmektir. Güvenlik sembolleri ve yanlarındaki açıklamalar özel dikkat ve anlayış göstermenizi gerektirir. Uyarı sembolleri kendi başlarına herhangi bir tehlikeyi gidermez. Sundukları talimat ve uyarılar uygun kaza önleme önlemlerinin yerine geçmez.

⚠ UYARI: Bu aleti kullanmadan önce, "TEHLİKE", "UYARI" ve "DİKKAT" gibi tüm güvenlik uyarı ve sembollerini içeren bu Kullanım Kılavuzu içerisindeki tüm güvenlik talimatlarını okuyup anladığınızdan emin olun. Aşağıdaki talimatların tamamına uyulmaması elektrik çarpması, yangın ve/veya ciddi kişisel yaralanma ile sonuçlanabilir.



SEMBOLÜN ANLAMI

⚠ GÜVENLİK UYARI SEMBOLÜ: TEHLİKE, UYARI veya DİKKAT edilmesi gereken durumları gösterir. Diğer semboller veya resimlerle birlikte kullanılabilir.

GÜVENLİK TALİMATLARI

Bu sayfada, bu ürün üzerinde görülebilecek güvenlik sembolleri gösterilmekte ve açıklanmaktadır. Makineyi monte etmeye ve kullanmaya başlamadan önce, makineye ilişkin tüm talimatları okuyup anlayın ve bu talimatlara uyun.

	Güvenlik Uyarısı	Potansiyel bir kişisel yaralanma tehlikesini gösterir.
	Kullanım Kılavuzunu Okuyun	Yaralanma riskini azaltmak için, kullanıcı bu ürünü kullanmadan önce kullanım kılavuzunu okuyup anlamalıdır.
	Koruyucu Gözlük Takın	Bu ürünü çalıştırırken daima göz koruması ya da yan siperleri olan koruyucu gözlük ve tam yüz maskesi kullanın.
	Kulak Koruması Takın	Kulaklarınızı korumak için daima kulak koruyucu (kulak tıkacı veya kulaklık) kullanın.
	Kesim Genişliği	Misinalı çim biçme makinesinin maks. kesim genişliği
	Misina Çapı	Naylon kesim ipinin çapı
	Koruyucu Kask Takın	Başınızı korumak için onaylı bir güvenlik kaskı takın.
	Koruyucu Eldiven Takın	Bıçak veya bıçak muhafazasını tutarken eldiven tatarak ellerinizi koruyun. Dayanıklı ve kaymaz eldivenler daha iyi bir tutuş sağlarken ellerinizi de korur.
	Koruyucu Ayakkabı Giyin	Bu cihazı kullanırken kaymaz koruyucu ayakkabılar giyin.
	Bıçağın kuvvetle itilmesine karşı dikkatli olun	Operatörü bıçağın kuvvetle itilme tehlikesine karşı uyarın.
	Sekmelere Karşı Üçüncü Şahısları Uzak Tutun	Fırlayan cisimler sekebilir ve kişisel yaralanma veya mal hasarına yol açabilir. Çalı kesici kullanılırken üçüncü şahısların ve evcil hayvanların cihazdan uzakta durduklarından emin olun.

	Üçüncü Şahısları Uzak Tutun	Kesim makinesi kullanılırken üçüncü şahısların ve evcil hayvanların en az 15m uzakta olduklarından emin olun.
	Yuvarlak bıçak kullanılmaz	Yuvarlak kesim bıçağı takmayın.
	Yağmura maruz bırakmayın	Bu ürünü yağmur altında kullanmayın veya yağmur yağarken dışarıda bırakmayın.
	CE	Bu ürün, yürürlükteki AB yönetmeliklerine uygundur.
	WEEE	Atık elektrikli ürünler, evsel atıklar ile birlikte imha edilmemelidir. Atık ürünler yetkili bir geri dönüşüm merkezine teslim edilmelidir.
	Gürültü	Garanti edilen ses gücü seviyesi. Avrupa Birliği Yönetmeliği'ne göre çevre gürültü emisyonu.
V	Volt	Voltaj
	Doğru Akım	Akım türü ve özelliği
n_0	Yüksüz Hız	Yüksüz dönüş hızı
min ⁻¹	Dakika Başına	Dakika başına dönüş

ELEKTRİKLİ ALETLER İÇİN GENEL GÜVENLİK UYARILARI

⚠ UYARI: Bu elektrikli aletle birlikte verilen tüm güvenlik uyarılarını, talimatlarını, resimli açıklamaları ve teknik özellikleri okuyun. Aşağıdaki talimatların tamamına uyulmaması elektrik çarpması, yangın ve/veya ciddi yaralanma ile sonuçlanabilir.

Tüm uyarı ve talimatları gelecekte başvuru amacıyla muhafaza edin.

Uyarılarda geçen "elektrikli alet" terimi ile elektrik prizinden beslenen (kablolu) elektrikli alet veya şarjlı (kablesiz) elektrikli alet kastedilmektedir.

ÇALIŞMA ALANI GÜVENLİĞİ

- Çalışma alanını temiz tutun ve yeterli aydınlatma sağlayın. Karışık veya karanlık alanlar kazalara yol açar.
- Elektrikli aletleri yanıcı sıvı, gaz veya toz içeren patlayıcı ortamlarda çalıştırmayın. Elektrikli aletten çıkan kıvılcıklar toz veya gazları tutuşturabilir.
- Çalışırken çocukları ve üçüncü şahısları elektrikli aletten uzak tutun. Dikkatinizin dağılması kontrolü kaybetmenize neden olabilir.

KİŞİSEL GÜVENLİK

- Elektrikli aletleri kullanırken daima dikkatli olun, yaptığınız işe yoğunlaşın ve sağduyulu davranın. Yorgunken, uyuşturucu, alkol veya ilaçlı bir tedavi etkisi altındayken elektrikli aleti kullanmayın. Elektrikli aletleri kullanırken bir anlık dikkatsizlik ciddi kişisel yaralanmayla sonuçlanabilir.
- Kişisel koruyucu ekipman kullanın. Daima koruyucu gözlük takın. Koşullara uygun toz maskesi, kaymaz emniyet ayakkabıları, kask veya işitme koruması vb. koruyucu ekipman kullanılması kişisel yaralanmaları azaltır.
- Yanlışlıkla çalıştırmaktan kaçının. Aleti güç kaynağına ve/veya pil takımına bağlamadan, havaya kaldırmadan veya taşımadan önce, açma kapama düğmesinin kapalı olduğundan emin olun. Aleti, parmağınızın açma kapama düğmesi üzerinde dururken taşımak veya alet açırken fişi prize takmak kazalara davetیه çıkarır.
- Elektrikli aleti çalıştırmadan önce, herhangi bir alyen veya anahtar varsa çıkarın. Elektrikli aletin döner parçalarına takılı kalmış bir alyen veya anahtar kişisel yaralanmalara neden olabilir.
- Dengesiz bir duruşla çalışma yapmayın. Çalışma süresince ayaklarınızı sağlam basın ve dengeyi koruyun. Böyle yapılması, beklenmedik durumlarda elektrikli aletin daha iyi kontrol edilmesini sağlar.
- Uygun bir şekilde giyinin. Bol giysiler giymeyin veya takı takmayın. Saçlarınızı, elbiselerinizi ve eldivenlerinizi hareketli parçalardan uzak tutun. Bol giysiler, takılar veya uzun saçlar aletin hareketli parçalarına takılabilir.
- Toz toplayıcı cihaz bağlantıları ve toplama tesisleri olması durumunda, bu bağlantıların düzgün yapılmış ve kullanılıyor olduğundan emin olun. Toz tutucu cihazların kullanımı tozdan kaynaklanabilecek tehlikeleri azaltabilir.

- **Aletlerin sık kullanılmasından kaynaklanan aşınalığın sizin boş vermenize ve aletin güvenlik prensiplerini görmezden gelmenize neden olmasına izin vermeyin.** Dikkatsiz bir hareket, saniyenin binde birindeki bir sürede ağır yaralanmalara neden olabilir.

ELEKTRİKLİ ALET KULLANIMI VE BAKIMI

- **Elektrikli aleti zorlamayın. Yaptığınız işe uygun elektrikli aleti kullanın.** Doğru elektrikli alet, tasarımına uygun değerlerde kullanıldığında daha iyi ve daha güvenli çalışacaktır.
- **Açma kapama düğmesi çalışmıyorsa elektrikli aleti kullanmayın.** Açma kapama düğmesi ile kontrol edilemeyen bir elektrikli alet tehlikelidir ve onarılması gerekir.
- **Çalıştırılmayan elektrikli aletleri çocuklardan uzak tutun ve elektrikli aletin kullanımına veya bu talimatlara aşına olmayan kimselerin elektrikli aleti çalışmalarına izin vermeyin.** Elektrikli aletler eğitimsiz kullanıcıların elinde tehlikelidir.
- **Elektrikli aletlere ve aksesuarlara bakım yapın.** Hareketli parçaların kusursuz olarak işlev görmediğini veya sıkışık sıkışmadığını, parçaların hasarlı olup olmadığını ve elektrikli aletin çalışmasını etkileyebilecek diğer tüm koşulları kontrol edin. Elektrikli alet hasarlı ise, kullanmadan önce onarılmasını sağlayın. Kazaların çoğu, elektrikli alet bakımının yeterli şekilde yapılmamasından kaynaklanır.
- **Kesici aletleri keskin ve temiz tutun.** Keskin kesim kenarlarına sahip, bakımı yapılmış kesim aletleri daha az sorun çıkarır ve kontrolü kolaydır.
- **Elektrikli aleti, aksesuarlarını ve alet uçlarını vb. çalışma şartlarını ve yapılacak işi dikkate alarak bu talimatlara uygun şekilde kullanın.** Elektrikli aletin kullanım amacı dışındaki işlerde kullanılması tehlikeli durumlara neden olabilir.
- **Tutma saplarını ve kavrama yüzeyini kuru, temiz, benzin ve yağdan uzak tutun.** Kaygan saplar ve kavrama yüzeyleri, aletin beklenmeyen durumlarda güvenli bir şekilde tutulmasına ve kontrol edilmesine izin vermez.
- **Kabloları, aletin çalışma alanından uzak tutun.** Çalışma sırasında kablolar gizlenmiş olabilir ve alet tarafından yanlışlıkla hasar görülebilir.

PİLLE ÇALIŞAN ALETLERİNİN KULLANIMI VE BAKIMI

- **Sadece üretici tarafından belirtilen şarj cihazı ile şarj edin.** Bir pil takımı için uygun olan şarj cihazı, başka bir pil takımı ile kullanıldığında yangın riski oluşturabilir.
- **Elektrikli aletleri sadece özel olarak üretilmiş pil**

paketleri ile kullanın. Başka pil paketlerinin kullanımı yaralanma ve yangın tehlikesi oluşturabilir.

- **Pil paketinin kullanımında olmadığı durumlarda pil takımını atış, bozuk para, anahtar, çivi, vida veya pil kutupları arasında kısa devre yapabilecek diğer metal nesnelere uzak tutun.** Pil kutuplarının kısa devre edilmesi yangın veya yanıklara neden olabilir.
- **Kötü şartlar altında pilden sıvı akışı olabilir; sıvı ile temas etmekten kaçının. Yanlışlıkla temas edilirse, etkilenen bölgeyi su ile yıkayın. Sıvı göze temas ederse, ayrıca tıbbi yardım alın.** Pilden akan sıvı tahriş veya yanıklara neden olabilir.
- **Pil takımını veya aleti hasarlı veya üzerinde değişiklik yapılmış şekilde kullanmayın.** Hasarlı veya üzerinde değişiklik yapılmış pil takımları yangın, patlama veya yaralanma riskine neden olacak şekilde beklenmeyen davranışlar gösterebilir.
- **Pil takımını veya aleti ateşe veya aşırı sıcaklıklara maruz bırakmayın.** Ateşe veya 100°C'nin üzerindeki sıcaklıklara maruz kalması patlamaya neden olabilir.
- **Tüm şarj talimatlarına uyun ve pil takımını veya aleti talimatlarda belirtilen sıcaklık aralığının dışındaki sıcaklıklarda şarj etmeyin.** Hatalı veya belirtilen sıcaklık aralığının dışındaki sıcaklıklarda şarj etmek, pil takımına zarar verebilir ve yangın riskini artırır.

SERVİS

- **Elektrikli aletinizin bakımını, sadece orijinal yedek parça kullanan uzman bir tamirciye yaptırın.** Böyle yapılması, elektrikli alet güvenliğinin korunmasını sağlayacaktır.
- **Asla hasarlı pil paketlerine bakım-onarım yapmayın.** Pil paketlerinin bakımı sadece üretici veya yetkili servisler tarafından yapılmalıdır.

⚠ UYARI: Bu elektrikli aletle birlikte verilen tüm güvenlik uyarılarını, talimatları, resimli açıklamaları ve teknik özellikleri okuyun. Aşağıdaki talimatların tamamına uyulmaması elektrik çarpması, yangın ve/veya ciddi yaralanma ile sonuçlanabilir. Tüm uyarı ve talimatları gelecekte başvuru amacıyla muhafaza edin.

Tüm uyarı ve talimatları gelecekte başvuru amacıyla muhafaza edin.

EĞİTİM

- **Talimatları dikkatle okuyun.** Cihazın kumandalarını ve uygun kullanım şeklini öğrenin.
- **Kullanım talimatları hakkında yeterli bilgiye sahip olmayan kişilerin veya çocukların cihazı kullanmasına asla izin vermeyin.** Yerel yönetmelikler kullanıcının yaşını kısıtlayabilir.

- Operatör veya kullanıcının, diğer kişilerin veya eşyaların başına gelebilecek yaralanma veya hasarlardan sorumlu olduğunu unutmayın.

HAZIRLIK

- Makineyi asla yakınınızda başkaları, özellikle de çocuklar veya evcil hayvanlar varken kullanmayın.
- Cihazı çalıştırırken daima göz koruması ve sağlam ayakkabı kullanın.
- Makine ile çevredeki insanlar arasında en az 15 m mesafe olmalıdır.
- Makineyi asla operatör hasta veya alkol veya diğer uyuşturucuların etkisi altındayken çalıştırmayın.

ÇALIŞMA

- Makineyi sadece gün ışığında veya iyi suni aydınlatma altında kullanın.
- Makineyi asla hasarlı koruyucu donanımla veya koruyucu donanım takılı değilken kullanmayın.
- Motoru sadece el ve ayaklar kesim araçlarından uzakta olduğunda çalıştırın.
- Makineyi daima güç kaynağından ayırın (örn. aküyü çıkarın).
 - makineyi gözetimsiz bıraktığınızda;
 - bir tıkanıklığı gidermeden önce;
 - makineyi kontrol etmeden, temizlemeye veya makine üzerinde çalışmaya başlamadan önce;
 - yabancı bir cisme çarptıktan sonra;
 - makine anormal bir sarsıntı gösterdiğinde.
- Kesme aletinden ellerde ve ayaklarda oluşabilecek yaralanmalara karşı özen gösterin.
- Havalandırma boşluklarında artık olmadığından emin olun.

TR

BAKIM VE SAKLAMA

- Herhangi bir bakım veya temizlik işlemi gerçekleştirmeden önce, makinenin fişini prizden çekin (veya aküyü çıkartın).
- Sadece üretici tarafından önerilen yedek parça ve aksesuarları kullanın.
- Makineyi düzenli olarak kontrol edin ve bakımını yapın. Makinenin sadece yetkili bir uzman tarafından tamir edilmesini sağlayın.
- Kullanmadığınız zaman, makineyi çocukların ulaşamayacağı bir yerde saklayın.

DIĞER GÜVENLİK UYARILARI

- **Tehlikeli ortamlardan kaçının** – Cihazları nemli veya ıslak yerlerde kullanmayın.
- **Koruyucu donanımı yerinde ve çalışır durumda tutun.**
- **Ellerinizi ve ayaklarınızı kesim alanından uzak tutun.**
- **Yaralanma riskini azaltmak için, asla merdiven üzerinde ya da diğer herhangi bir güvenli olmayan destek üzerinde çalışmayın. Asla kesim ünitesini bel yüksekliğinin üzerinde tutmayın.**
- **Çalışma sırasında kesim ünitesini kısa aralıklarla düzenli olarak veya kesim işlevinde gözle görülür bir değişim varsa derhal kontrol edin.**
- **En iyi sonuçlar için akü, sıcaklığın 5°C'nin üzerinde ve 40°C'nin altında olduğu bir ortamda şarj edilmelidir. Açık havada veya araç içinde saklamayın.**
- **Çalışırken yanınıza yaklaşan kimselerin olması durumunda, motoru ve kesim ünitesini durdurun.**
- **Operatörü bıçağın kuvvetle itilme tehlikesine karşı uyarın (sadece 3 dişli bıçak ile kullanımda).**
 - Bıçağın kuvvetle itilmesi, döner bıçağın hemen kesemediği bir nesneyle temas etmesi durumunda meydana gelebilir.
 - Bıçağın kuvvetle itilmesi, cihazın ve/veya operatörün herhangi bir yönde itilerek cihaz kontrolünün kaybedilebileceği şiddette olabilir.
 - Bıçak takılır, durur veya dönmesi engellenirse uyarı olmaksızın bıçak kuvvetle itilebilir.
 - Bıçağın kuvvetle itilmesi olayı, kesilen malzemeyi görmenin zor olduğu bölgelerde daha çok meydana gelebilir.
- **Gerekli tüm parçaları düzgün bir şekilde monte etmeden makineye herhangi bir bıçak takmayın. Uygun parçaların kullanılmaması, bıçağın çıkarak fırlamasına ve kullanıcı ve/veya üçüncü şahısların ciddi şekilde yaralanmasına neden olabilir. Kıvrılmış, bükülmüş, çatlak, kırılmış veya herhangi bir şekilde hasar görmüş bıçakları atın. Keskin bir bıçak kullanın. Kör bir bıçağın takılıp kuvvetle itilme olasılığı daha fazladır (sadece 3 dişli bıçak ile kullanımda).**
- **Boşta dönen bir bıçak/misina, motor durdurulduktan veya tetik bırakıldıktan sonra da dönmeye devam ettiğinden yaralanmalara neden olabilir. Bıçak/misina tamamen duruncaya kadar cihazın kontrolünü bırakmayın.**
- **Sadece şek. A'da listelenen pil paketi ve şarj cihazlarını kullanın.**

- Pille çalışan aletlerin elektrik prizine takılmalarına gerek yoktur; bu nedenle bu tür aletler daima çalışmaya hazır durumdadır. Alet kullanılmadığı zaman dahi oluşabilecek muhtemel tehlikelere karşı dikkatli olun. Bakım veya onarım işlemleri sırasında dikkatli olun.
- Hortumla yıkamayın; motor ve elektrik bağlantılarına su kaçırılmamasına dikkat edin.
- Bu kılavuzda yer almayan durumlar meydana gelirse, dikkatli ve sağlıklı davranın. Yardım için EGO Müşteri Hizmetleri Merkeziyle iletişime geçin.

BU TALİMATLARI SAKLAYIN!

TEKNİK ÖZELLİKLER

Voltaaj	56 V	
Yüksüz hız	4000-5800/dak	
Kesim Mekanizması	Çarpma Başı	
Kesim Misinalı Türü	2,4mm naylon bükülü misina	
Kesim Genişliği	38 cm	
Tavsiye Edilen Çalışma Sıcaklığı	0°C-40°C	
Tavsiye Edilen Depolama Sıcaklığı	-20°C-70°C	
Ağırlık (akü hariç)	3,2 kg	
Ölçülen ses güç düzeyi L_{WA}	92,6 dB(A) K=0,8 dB(A)	
Operatörün kulağına gelen ses basıncı seviyesi L_{PA}	72,6 dB(A) K=2,5 dB(A)	
Garantili ses gücü seviyesi L_{WA} (2000/14/EC'ye göre)	93 dB(A)	
Titreşim a_h	Ön Yardım Kolu	3,5 m/sn ² K=1,5 m/sn ²
	Arka Kol	2,1 m/sn ² K=1,5 m/sn ²

- Bildirilen toplam titreşim değeri standart test yöntemine uygun olarak ölçülmüştür ve bir cihazı diğer bir cihaz ile karşılaştırmak için kullanılabilir.
- Bildirilen toplam titreşim değeri ayrıca ön maruz kalma değerlendirilmesinde de kullanılabilir.

UYARI: Elektrikli aletin gerçek kullanımı sırasında meydana gelen titreşim emisyonu aletin kullanım şekline bağlı olarak bildirilen değerden farklı olabilir; Operatörü korumak için, kullanıcı gerçek kullanım koşullarında eldiven ve kulak koruması takmalıdır.

AMBALAJ LİSTESİ

PARÇA ADI	MİKTAR
Misinalı Çim Biçme Makinesi	1
Koruma	1
Ön yardımcı kol montajı	1
Omuz Askısı	1
Alyen anahtar	1
Kullanma kılavuzu	1
Kesme teli	1

AÇIKLAMA

ÇİT BUDAMA MAKİNENİZİ TANIYIN (Şek. A)

1. Arka Kol
2. Tetik Düğmesi
3. Kilitleme Düğmesi
4. Ayarlanabilir Ön Yardım Kolu
5. Omuz Askısı
6. Mil
7. Koruyucu
8. Akü Çıkarma Düğmesi
9. Mandal
10. Elektrik Kontakları
11. Çıkarma Mekanizması
12. Çim Biçme Makinesi Başlığı (Çarpma Başı)
13. Misina Yükleme Düğmesi
14. Kesme teli
15. Açma Tırnağı
16. Misina- Kesme Bıçağın
17. Somun Anahtar

MONTAJ

⚠ UYARI: Hasarlı veya eksik parça varsa, bu parçalar değiştirilmeye kadar ürünü çalıştırmayın. Bu ürünün hasarlı veya eksik parçaları ile kullanılması ciddi kişisel yaralanmalara yol açabilir.

⚠ UYARI: Bu ürün üzerinde değişiklik yapmaya veya bu misinalı çim biçme makinesi ile kullanılması önerilmeyen aksesuarlar oluşturmaya çalışmayın. Bu tür değişiklikler veya modifikasyonlar hatalı kullanımdır ve ciddi kişisel yaralanmalara neden olabilen tehlikeli bir duruma sebep olabilir.

⚠ UYARI: Ciddi kişisel yaralanmalara neden olabilen yanlışlıkla çalışmayı önlemek için, parçaları monte ederken pil takımını mutlaka aletten çıkarın.

KORUYUCUNUN MONTE EDİLMESİ

⚠ UYARI: Koruyucu monte edilirken veya değiştirilirken daima eldiven takın. Koruyucu üzerindeki bıçağa ve elinizin kesilmesine dikkat edin.

⚠ UYARI: Aleti asla koruması düzgün şekilde takılı değilken kullanmayın. Koruyucu, kullanıcıyı korumak için daima alete takılı durumda olmalıdır! Koruyucu takılıyken, asla koruyucuyu çıkarmaya veya ayarlamaya çalışmayın, değiştirilmesi gerekirse, yetkili bir servis teknisyeni tarafından gerçekleştirilmelidir!

Koruyucunun üzerine önceden monte edilmiş olan iki civatayı, mildeki iki vida deliğiyle hizalayın (Şek. B) ve ardından bunları verilen somun anahtarıyla sıkın (Şek. C).

Koruyucunun Şek. B ve C'ye uygun olarak monte edildiğinden emin olun, hatalı bir montaj büyük tehlikeye yol açar!

ÖN YARDIM KOLONUN TAKILMASI VE AYARLANMASI

Ön yardım kolunu mil üzerine bastırın (Şek. E), ardından menzene bloğunu kol yuvasına yerleştirin (Şek. F), kilitleme sapını takın ve kelebek somun ile sabitleyin (Şek. G). İşlem sırası Şek. D'de gösterildiği gibidir. Son olarak, çim biçme makinesini kullanırken ön kolunuzun düz olduğundan emin olmak için yumuşak manşon ve etiket arasındaki ön yardım kolunu ayarlayın (Şek. H) ve daha sonra kilitleme sapının kolunu kilitleyin (Şek. I).

Şek. D ve H parçalarının açıklaması aşağıdaki gibidir:

D-1	Ön Yardım Kolu	D-4	Kelebek Somunu
D-2	Kilitleme Sapı	H-1	Yumuşak Manşon
D-3	Sıkıştırma Bloğu	H-2	Uyarı Etiket

DİKKAT: Ön yardım kolu, arka kolun üst kısmına doğru bakacak şekilde yukarı doğru çevrilmelidir.

⚠ UYARI: Ön yardım kolunu sadece yumuşak manşon ve mildeki etiketin arasına sabitleyin.

⚠ UYARI: Ön yardım kolu güvenli bir şekilde monte edilmeden aleti kullanmayın.

OMUZ ASKININ MONTAJI

- Askının kancasındaki civatayı gevşetin ve çıkarın (Şek. J1 ve J2).
- Şek. J3'te gösterildiği gibi kancayı milin üzerine takın ve civata ile sabitleyin (Şek. J4).

⚠ UYARI: Askının kancasını sadece gövde ve mil üzerindeki yumuşak bilezik arasına sabitleyin.

ÇALIŞTIRMA

⚠ UYARI: Ürüne aşına olmanız sizi dikkatsiz yapmasın. İkinci dereceden bir dikkatsizliğin ciddi yaralanmalara neden olmak için yeterli olduğunu unutmayın.

⚠ UYARI: Her zaman işleme komasının yanı sıra emniyet gözlükleri veya yan korumalı emniyet gözlükleri kullanın. Böyle yapılmaması sonucu gözlerinize fırlayan nesnelere ciddi kişisel yaralanmalara neden olabilir.

⚠ UYARI: Bu ürünün üreticisi tarafından önerilmeyen ek parça veya aksesuarları kullanmayın. Önerilmeyen parça veya aksesuarların kullanılması ciddi kişisel yaralanmalara neden olabilir.

⚠ UYARI: Ciddi kişisel yaralanmaları önlemek için, aksesuarlara bakım veya onarım, temizlik, değişim yapmadan veya makineden malzeme çıkarmadan önce aküyü çıkarın.

Bu ürünü aşağıda listelenen amaçlar için kullanabilirsiniz:

Budama: duvar, çit, ağaç ve kenarlıklarda bulunan çim ve otların temizlenmesi için kullanılır.

Kesim: normal çim biçme makinesi ile ulaşılması zor olan çimlerin kesilmesi için kullanılır.

UYARI: Alet sadece belirtilen amaç için kullanılmalıdır. Diğer kullanım şekilleri, örneğin kenar budama, hatalı kullanım olarak kabul edilir.

PİL PAKETİNİN TAKILMASI/ÇIKARILMASI

DİKKAT: Daha iyi denge için BA3360/BA4200/BA4200T/BA5600T KÜLERİNİ kullandığınızda, lütfen sırt çantası koşumları (BH1000) ile birlikte kullanın.

İlk kullanımdan önce tamamen şarj edin.

Takmak için

Akünün çıkıntılarını ile montaj yuvalarını hizalayın ve "klik" sesi duyuncaya kadar aküyü aşağıya bastırın (Şek. K2).

Çıkarmak için

Şek. L'de gösterildiği gibi akü çıkarma düğmesine basın ve aküyü çekip çıkarın.

Şek. K1 ve K2 parça açıklaması aşağıdaki gibidir:

K-1	BA3360/BA4200/BA4200T/BA5600T akü	K-4	Toka
K-2	Adaptör	K-5	Akü montaj yuvası
K-3	Sırt çantası koşumu		

MİSİNALI ÇİM BİÇME MAKİNESİNİN TUTULMASI

⚠ UYARI: Bu cihazı kullanırken yaralanma riskini azaltmak için uygun şekilde giyinin. Bol giysiler giymeyin veya takı takmayın. Göz ve kulak/işitme koruması takın. Dayanıklı, uzun pantolon, eldiven ve bot giyin. Kısa pantolon, sandalet giymeyin veya çıplak ayakla çalışmayın.

Cihazı çalıştırmadan önce, bir eliniz arka tutma kolunda ve diğer eliniz düz bir şekilde ön yardım kolunda olmak üzere, biçme makinesini iki elinizle tutun (Şek. M). Ardından, dengeli bir duruş ile doğru kesim mesafesi sağlayın.

DİKKAT: Kesim başlığı operatör eğilmeden uygun kesim mesafesinde yere paralel olacak şekilde tutulmalıdır.

MİSİNALI ÇİM BİÇME MAKİNESİNİ BAŞLATMA/ DURDURMA

Başlatmak için

Kilitleme düğmesine bastırın, ardından tetiğe basın. Tetiğe farklı baskı düzeylerinde basılması kesim misinasının farklı dönüş hızlarında dönmesini sağlar. Ne kadar güçlü basılırsa hız o kadar artar.

Durdurmak için

Kilitleme düğmesini ve tetiği bırakın.

DİKKAT: Motor sadece kilitleme düğmesi ve tetiğin her ikisi de basıldığında çalışır.

⚠ UYARI: Mola verdiğinizde ve işi bitirdikten sonra daima pil paketini makineden çıkarın.

MİSİNALI ÇİM BİÇME MAKİNESİNİN KULLANIMI

⚠ UYARI: Ciddi kişisel yaralanmayı önlemek için, bu cihazı kullanırken daima göz koruması veya koruyucu gözlük takın. Çalışma ortamı tozluysa, yüz veya toz maskesi takın.

Her kullanımdan önce kesilecek alanı temizleyin. Kesim parçalarına takılabilecek veya fırlatılabilecek taş, kırık cam, çivi, tel veya sicim vb. tüm nesnelere temizleyin. Çocukları, üçüncü şahısları ve evcil hayvanları çalışma alanından uzak tutun. Çocukları, üçüncü şahısları ve evcil hayvanları çalışma alanından en az 15 metre uzak tutun; üçüncü şahısların fırlayan nesnelere yaralanma riski bu mesafeye rağmen hala olabilir. Üçüncü şahısların göz koruması kullanmaları önerilir. Çalışırken yanınıza yaklaşan kimselerin olması durumunda derhal motoru ve kesici parçaları durdurun.

Her kullanımdan önce hasarlı/aşınmış parça olup olmadığını kontrol edin.

Çarpma başlığını, koruyucuyu ve ön yardım kolunu kontrol edin ve çatlak, kırılmış, eğik veya hasarlı kesim parçalarını değiştirin.

Koruyucunun kenarındaki misina kesim bıçağı zamanla körelebilir. Bu bıçağı düzenli olarak bir eğe ile bilemeniz veya yeni bir bıçakla değiştirmeniz önerilir.

⚠ UYARI: Bıçaklara bakım yaparken veya muhafazayı monte ederken daima eldiven takın. Koruyucu üzerindeki bıçağa ve elinizin kesilmemesine dikkat edin.

Her kullanımdan sonra, çim biçme makinesini temizleyin.

⚠ DİKKAT: Hava deliklerindeki tıkanıklıkları motor gövdesindeki hava akımını engelleyerek aşırı ısınmaya ve motor hasarına neden olabilir.

Aleti temizlemek için sadece nemli bir bez ve yumuşak bir temizleyici kullanın. Asla cihaza su girmesine izin vermeyin; aletin herhangi bir parçasını sıvıya daldırmayın.

■ Motor gövdesindeki hava deliklerinin ve milin her zaman temiz kalmasını sağlayın

⚠ UYARI: Çim biçme makinenizi temizlemek için asla su kullanmayın. Plastik parçaları temizlerken çözücü maddeler kullanmaktan kaçının. Çoğu plastik parça çeşitli tip ticari solventlerden zarar görebilir. Kir, toz, yağ, gres, vb. gidermek için temiz bez kullanın.

EN İYİ BİÇME SONUÇLARI İÇİN İPUÇLARI (ŞEK. N)

- Kesme parçası için doğru açı zemine paraleldir.
- Çim biçme makinesini zorlamayın. Misinanın ucunun kesimi (özellikle duvarlar boyunca) yapmasına izin verin. Uçtan daha fazla kesim yapmak, kesme verimliliğini azaltır ve motora aşırı yüklenir.
- Kesme yüksekliği, kesme misinasının çim yüzeyinden uzaklığı ile belirlenir.
- 20 cm'nin üzerindeki çimen, misinanın erken aşınmasını veya motora sürtünmeyi önlemek için küçük artışlarla yukarıdan aşağıya doğru kademeli olarak çalışarak kesilmelidir.
- Çim biçme makinesini kesilen alana doğru yavaşça hareket ettirin ve kesme kafası konumunu istenen kesme yüksekliğinde tutun. Bu hareket ya ileri-geri hareket ya da yandan-yana hareket olabilir. Daha kısa uzunlukları kesmek en iyi sonuçları verir.
- Sadece çim ve yabancı otlar kurduğunda biçin.

- Tel ve tel çitler, misininin ekstra aşınmasına veya kırılmasına neden olabilir. Taş ve tuğla duvarlar, bordürler ve ahşap misinayı hızla aşındırabilir.
- Ağaç ve çalılarından kaçının. Misina ağaç kabuğu, tahta kalıpları, cephe giydirmeleri ve çit direklerinden kolaylıkla hasar görebilir.

Şek. N parça açıklaması aşağıdaki gibidir:

N-1	En iyi kesim alanı	N-2	Tehlikeli kesim alanı
-----	--------------------	-----	-----------------------

KESİM İPİ UZUNLUĞUNUN AYARLANMASI

Çim biçme makinesi başlığı operatörün motoru durdurmaya gerek kalmadan kesim ipini salmasına olanak sağlar. İp aşınır veya yıpranırsa, çim biçme makinesi çalışır durumdayken makara tutucuyu hafifçe yere vurarak biraz daha ip salınabilir (Şek. O).

⚠ UYARI: Kesim ipi kısalıdıkça ipin bırakılması zorlaşır.

⚠ UYARI: Misina kesim bıçak donanımını çıkarmayın veya değiştirmeyin. Aşırı uzun kesim ipi motorun aşırı ısınmasına neden olabilir ve ciddi kişisel yaralanmaya yol açabilir.

MİSİNANIN DEĞİŞTİRİLMESİ

DİKKAT: Daima 2,4 mm'yi aşmayan bir çapa sahip naylon kesim ipi kullanılması önerilir. Belirtilenen dışında kesim ipi kullanımı kesim makinesinin aşırı ısınmasına veya hasar görmesine neden olabilir.

⚠ UYARI: Asla metal takviyeli misina, tel, ip, vb. malzeme kullanmayın. Bunlar koparak tehlikeli biçimde fırlatılabilir.

Misinalı çim biçme makinesi gelişmiş bir otomatik misina sarma sistemi ile donatılmıştır. Kesme misinası, tek bir düğmeye basılarak makaraya sarılabilir. Tam makara

yükleme genellikle 12 saniyede tamamlanabilir. Motorun hasar görme olasılığını azaltmak için sarma sisteminin hızlı bir şekilde art arda çalışmasından kaçınınız.

1. Aküyü çıkarın.
2. Gerekirse, kalan kesim ipini çıkarın. Elinizle çekip almanız yeterlidir.
3. Bir parça kesme misinası (4m) kesin. Misinayı montaj deliğine yerleştirin (Şek. P) ve misininin ucu karşıdaki montaj deliğinden çıkıncaya kadar itin.

Şek. P parça açıklaması aşağıdaki gibidir:

P-1	Kesme Misinası	P-3	Montaj deliği
P-2	Alt Kapak		

4. Bir önceki adımdaki misinalı çim biçme makinesine akü takılmışsa çıkarın.
5. Çim biçme makinesinin kafasının her iki tarafında eşit uzunlukta misina oluncaya kadar misinayı diğer taraftan çekin (Şek. O).
6. Aküyü misinalı çim biçme makinesine takın. Misina sarma motorunu başlatmak için misina yükleme düğmesine basın ve basılı tutun. Misina, sürekli olarak çim biçme makinesinin kafasına sarılacaktır (Şek. R).
7. Kalan misina uzunluğunu dikkatlice izleyin. Her iki tarafında yaklaşık 18 cm'lik misina kaldığı anda düğmeyi serbest bırakmaya hazırlanın. Her iki tarafta 14 cm'lik misina görünene kadar uzunluğu ayarlamak için misina yükleme düğmesine kısaca basın.
8. Çim biçme makinesinin kafasını aşağı bastırarak misinaları çekin ve kesme misinasının düzgün monte edildiğini kontrol etmek için manuel olarak ilerletin.

DİKKAT: Misina kazara çim biçme makinesinin kafasına çekilirse, kafayı açın ve kesme misinasını makaradan dışarı çekin. Misinayı tekrar yüklemek için bu kılavuzdaki "KESME MİSİNASINI YENİDEN TAKMA" bölümünün takip ediniz.

KESME MİSİNASINI YENİDEN TAKMA

Kesme misinası çıkış noktasından kırıldığında veya çim biçme başlığına dokunulduğunda kesme misinası salınmazsa, kesme misinasını çıkarmak ve yeniden misina takmak için aşağıdaki adımları izleyin:

1. Çim biçme makinesinin kafasının üzerindeki iki açma tırmaklarına bastırın ve kesme makinesi başını doğrudan çekerek çıkarın (Şek. S-1 ve S-2).
2. Kesme misinasını çim biçme makinesinin kafasından çıkarın ve yayı alt kapak düzeneğindeki yuvaya yerleştirin (Şek. T).
3. Bir elle çim biçme makinesini tutarken diğer elle alt kapak aksamını kavrayın ve alt kapak aksamındaki yuvalarla açma tırmaklarını hizalayın. Alt kapak aksamına yerine oturana kadar bastırın, bu sırada farklı bir tıklama sesi duyacaksınız (Şek. U).
4. "MİSİNANIN DEĞİŞTİRİLMESİ" bölümündeki talimatları izleyerek misinayı tekrar yükleyin.

Şek. S1, T ve U parça açıklaması aşağıdaki gibidir:

S1-1	Alt Kapak Aksamı	U-1	Açma Tırnağı
S1-2	Açma Tırnağı	U-2	Yuva
T-1	Yay		

ÇİM BİÇME MAKİNESİNİN KAFASINI DEĞİŞTİRME

⚠ UYARI: Başlık yerine takıldıktan sonra gevşiyorsa, derhal değiştirin. Bir çim biçme makinesini asla gevşek bir kesim parçasıyla kullanmayın. Hasar yüzeyssel çatlaklarla sınırlı olsa dahi, çatlamış, hasarlı veya aşınmış bir kesme kafasını derhal değiştirin. Bu tür parçalar yüksek hızda parçalanabilir ve ciddi yaralanmalara neden olabilir.

Çim biçme makinesinin kafasını çıkarın

1. Aküyü misinalı çim biçme makinesinden çıkarın.
2. Çim biçme makinesinin kafasının üzerindeki açma tırnaklarına bastırın ve çim biçme kafasının alt kapak aksamını çekerek çıkarın (bkz. Şek. S1 ve S2).
3. Kesme misinasını çim biçme makinesi kafasından çıkarın (Şek. V).
4. Gerekirse yayı makara tertibatından çıkarın. Yeniden montaj için saklayın.
5. Eldiven takın. Makara grubunu sabitlemek için bir elinizi kullanırken diğer elinizle bir darbeli anahtar kullanarak somunu saat yönünün tersine gevşetin (Şek. W).
6. Somunu, rondelayı, makara tertibatını ve üst kapağı motor milinden sökün (Şek. X).
7. Segmanı kaldırmak için segman pensesi kullanın. Fan aksamını çıkarın (Şek. Y).
8. Yeni bir çim biçme makinesi kafasıyla değiştirin ve aşağıdaki adımları takip ederek takın.

Şek. W ve X ve Y parça açıklaması aşağıdaki gibidir:

W-1	Darbeli Anahtar	X-4	Somun
X-1	Üst Kapak	Y-1	Fan Aksamı
X-2	Makara Aksamı	Y-2	Makara Aksamı
X-3	Rondela		

Yeni misinalı çim biçme makinesi kafasını takın

1. Fan aksamındaki anahtar yuvasını motor milindeki eğri ile hizalayın ve fan aksamını yerine takın (Şek. Z).
2. Bu sırayla segman, üst kapak, makara aksamı ve rondelayı takın. Sıkmak için somun üzerinde bir darbeli anahtar kullanın.

3. Alt kapak aksamını monte etmek için bu kılavuzdaki "KESME MİSİNASININ YENİDEN TAKILMASI" bölümündeki talimatları takip edin .
 4. "MİSİNASIN DEĞİŞTİRİLMESİ" bölümündeki talimatları izleyerek tekrar misina takın.
 5. Misinalı çim biçme makinesinin normal çalışıp çalışmadığını görmek için aracı başlatın. Eğer değilse, yukarıda açıklandığı gibi yeniden monte edin.
- Şek. Z parça açıklaması aşağıdaki gibidir:

Z-1	Eğri	Z-2	Anahtar Yuvası
-----	------	-----	----------------

BAKIM

⚠ UYARI: Bakım ve onarım sırasında birebir aynı yedek parçaları kullanın. Diğer parçaların kullanılması tehlike oluşturabilir veya ürünün hasar görmesine neden olabilir. Güvenliği ve güvenilirliği sağlamak için, tüm onarım işlemleri yetkili bir servis teknisyeni tarafından gerçekleştirilmelidir.

⚠ UYARI: Pille çalışan aletlerin elektrik prizine takılmalarına gerek yoktur; bu nedenle daima çalışır durumdadırlar. Ciddi kişisel yaralanmayı önlemek için, kesim parçaları veya diğer parçalara bakım veya onarım yaparken veya değişim sırasında ekstra önlemler alın ve dikkatli olun.

⚠ UYARI: Ciddi kişisel yaralanmaları önlemek için, eklenti parçalara bakım veya onarım, temizlik, değişim yapmadan veya makineden malzeme çıkarmadan önce pil takımını çıkarın.

ÇİHAZIN TEMİZLENMESİ

- Cihazı nemli bir bez ve yumuşak bir deterjanla temizleyin.
- Plastik gövde veya tutma kolu üzerinde güçlü deterjanlar kullanmayın. Çam ve limon gibi belirli aromatik yağlar ve kerosen gibi çözücü maddeler bu yüzeylere zarar verebilir. Nem nedeniyle elektrik çarpması tehlikesi oluşabilir. Yumuşak kuru bir bezle rutubeti silin.
- Arka gövdedeki hava deliklerinde bulunan tıkanıklığı temizlemek için küçük bir fırça veya elektrikli süpürgeğin hava çıkışı kullanın.

MİSİNA-KESME BİÇAĞINI KESKİNLEŞTİRME

UYARI: Misina-kesme bıçağı üzerinde herhangi bir bakım işlemi gerçekleştirirken daima dayanıklı eldivenler takarak ellerinizi koruyun.

1. Misina-kesme bıçağını koruyucudan çıkarın.
2. Uygun göz koruması ve eldiven giyin ve kendinizi kesmemeye dikkat edin.
3. Bıçağı bir mengene ile sabitleyin.
4. Orijinal kesici kenar açısını koruyarak, bıçağın kesici kenarlarını ince diş bileyici veya bileme taşıyla dikkatlice bileyin.
5. Bıçağı koruyucuya takın ve iki vidayla yerine sabitleyin.

CİHAZIN SAKLANMASI

- Kullanılmadığı zamanlarda, pil paketini misinalı çim biçme makinesinden çıkarın.
- Cihazı saklamadan önce tamamen temizleyin.
- Cihazı çocukların ulaşamayacağı kuru, iyi havalandırılmış, kilitli ve yüksek bir yerde muhafaza edin. Gübre, benzin veya diğer kimyasal maddelerin yanında saklamayın.

Çevre koruması



Elektrikli cihazları, pil şarj cihazını ve pilleri/şarj edilebilir pilleri evsel atıklarla birlikte atmayın!

AB Yasası 2012/19/EU uyarınca, kullanılamaz durumdaki elektrikli ve elektronik cihazlar ve AB Yasası 2006/66/EC uyarınca, arızalı veya kullanılmış pil paketleri/piller ayrı olarak toplanmalıdır.

Elektrikli cihazlar katı atık sahaları veya çöp toplama alanlarına atılırsa, yer altı sularına ve besin zincirine tehlikeli maddeler sızabilir, bu da sağlığınızın bozulmasına yol açabilir.

SORUN GİDERME

SORUN	SEBEP	ÇÖZÜM
Misinalı çim biçme makinesi başlatılmıyor.	<ul style="list-style-type: none"> ■ Pil paketi, çim biçme makinesine takılı değil. ■ Çim biçme makinesi ile pil arasında elektrik teması yok. ■ Pil paketi boş. ■ Kilitleme düğmesi ve tetiğe aynı anda basılmıyor. 	<ul style="list-style-type: none"> ■ Pil paketini çim biçme makinesine takın. ■ Pili çıkarın, temas noktalarını kontrol edin ve pil paketini yeniden takın. ■ Pil paketini şarj edin. ■ Kilitleme düğmesini basılı tutun, ardından tetik düğmesine basarak misinalı çim biçme makinesini çalıştırın.
Misinalı çim biçme makinesi kesim yaparken duruyor.	<ul style="list-style-type: none"> ■ Çim biçme makinesine koruyucu takılmamış, sonuç olarak aşırı uzun kesim ipi ve motorun aşırı ısınması söz konusu. ■ Ağır kesim ipi kullanılıyor. ■ Motor mili veya çim biçme başlığı çimler nedeniyle tutukluk yapıyor. ■ Motor aşırı yüklenmiş. ■ Pil paketi veya misinalı çim biçme makinesi çok sıcak. ■ Pil paketi ile aletin bağlantısı kesilmiş. ■ Pil paketi boş. 	<ul style="list-style-type: none"> ■ Pil paketini çıkarın ve koruyucuyu çim biçme makinesine monte edin. ■ Çapı en fazla 2,4mm olan naylon kesim misinası kullanmanız önerilir. ■ Çim biçme makinesini durdurun, pili çıkarın ve motor mili ve çim biçme başlığındaki çimleri temizleyin. ■ Çim biçme başlığını çimlerden kaldırın. İş yükü kalkar kalkmaz motor eskisi gibi çalışacaktır. Kesim yaparken, çim biçme başlığını kesilecek çimlerde ileri-geri hareket ettirin ve tek bir kesimde en fazla 20 cm uzunlukta kesim yapın. ■ Pil paketi veya çim biçme makinesinin 67°C'nin altına düşene kadar soğumasını bekleyin. ■ Pil paketini yeniden takın. ■ Pil paketini şarj edin.

SORUN	SEBEP	ÇÖZÜM
Çim biçme başlığı misinayı ilerletmiyor.	<ul style="list-style-type: none"> ■ Motor mili veya çim biçme başlığı çimler nedeniyle tutukluk yapıyor. ■ Makara tutucuda yeteri kadar misina yok. ■ Çim biçme başlığı kirlî. ■ Misina makara tutucuya dolanmış. ■ Misina çok kısa. 	<ul style="list-style-type: none"> ■ Çim biçme makinesini durdurun, pili çıkarın ve motor mili ve çim biçme başlığındaki çimleri temizleyin. ■ Pili çıkarın ve bu kılavuzdaki "MİSİNANIN DEĞİŞTİRİLMESİ" bölümünü izleyerek kesim ipini değiştirin. ■ Aküyü çıkarın ve makara tespit pimini ve makara tabanını temizleyin. ■ Aküyü çıkarın ve bu kılavuzdaki "MİSİNANIN DEĞİŞTİRİLMESİ" bölümünü izleyerek misinayı makara tespit piminden çıkarın ve yeniden sarın. ■ Aküyü çıkarın ve ardi ardına makine kafasına basarak ve serbest bırakarak misinaları çekin.
Çimler, çim biçme başlığının etrafına ve motor gövdesine dolanıyor.	<ul style="list-style-type: none"> ■ Uzun çimler zemin seviyesinde kesiliyor. 	<ul style="list-style-type: none"> ■ Uzun çimleri üstten alta doğru kesin, dolanmayı önlemek için her geçişte en fazla 20 cm kesin.
Bıçak misinayı kesmiyor.	<ul style="list-style-type: none"> ■ Koruyucunun kenarındaki misina kesim bıçağı körelmiş. 	<ul style="list-style-type: none"> ■ Misina kesim bıçağını bir eğe ile bileyin veya yeni bir bıçakla değiştirin.
Çim biçme başlığında çatlaklar mevcut veya makara tutucu makara tabanından gevşemiş.	<ul style="list-style-type: none"> ■ Çim biçme başlığı aşınmış. 	<ul style="list-style-type: none"> ■ Çim biçme başlığının derhal bir yetkili servis teknisyeni tarafından değiştirilmesini sağlayın.
Misina değiştirme sırasında, misina çim biçme başlığına düzgün yüklenemiyor.	<ul style="list-style-type: none"> ■ Makara tutucunun LOAD çizgileri makara tabanındaki halkalar ile hizalanmamış. ■ Misina, halka içindeki montaj deliğine doğru yerleştirilmemiş. 	<ul style="list-style-type: none"> ■ Makara tutucu üzerindeki LOAD çizgisini makara tabanındaki halka ile hizalamak için, makara tutucuyu ok yönünde döndürün. ■ Önce LOAD çizgisini halka ile hizalayın, daha sonra misinayı halka içindeki montaj deliğine yerleştirin.

TR GARANTİ

EGO GARANTİ POLİTİKASI

EGO Garanti politikasına ilişkin tüm hüküm ve koşullar için, lütfen egopowerplus.com adresindeki web sitemizi ziyaret edin.

LUGEGE KÕIKI JUHISEID!



LUGEGE KASUTUSJUHEIDIT

⚠ Kaasnev risk! Inimesed, kes kasutavad elektroonilisi seadmeid, nt südamestimulaatorit, peaksid enne selle toote kasutamist konsulteerima oma arstiga. Elektriseadmete kasutamine südamestimulaatori läheduses võib põhjustada südamestimulaatori häireid või rikkeid.

⚠ HOIATUS: Ohutuse ja töökindluse tagamiseks tohivad seda seadet remontida ainult vastava kvalifikatsiooniiga hooldustehnikud.

OHUTUSSÜMBOLID

Ohutussümbolite eesmärk on tõmmata teie tähelepanu võimalikele ohtudele. Ohutussümbolitele ja nende juures olevatele seletustele tuleb korralikult tähelepanu pöörata ja need endale selgeks teha. Ohutussümbolid iseenesest ei kõrvalda ohu olemasolu. Nendega kaasnevad juhendid ja hoiatused ei asenda korralikke õnnetuste vältimise meetmeid.

⚠ HOIATUS: Enne käesoleva seadme kasutamist lugege kindlasti läbi ja tehke endale selgeks kõik Kasutusjuhendis toodud ohutusjuhised, sh kõik ohutussümbolid nagu „OHT,“ „HOIATUS,“ ja „ETTEVAATUST“. Kui te ei järgi kõiki allpool toodud juhiseid, võib tekkida elektrilöögi, tulekahju ja/või raske kehavigastuse oht.

SÜMBOLITE TÄHENDUSED








⚠ TURVATEATE SÜMBOL Tähistusega OHT, HOIATUS, või ETTEVAATUST. Võidakse kasutada koos teiste sümbolite või piktograafidega.

OHUTUSJUHISED

Sel lehel on kujutatud ja kirjeldatud ohutussümboliteid, mida võib käesolevalt tootelt leida. Enne, kui üritate masinat kokku panna ja kasutada, lugege, tehke omale selgeks ja järgige kõiki juhiseid.

	Ohutusteade	Viitab võimalikule kehavigastuste ohule.
	Lugege kasutusjuhendit	Vigastuste ohu vähendamiseks peab kasutaja enne toote kasutamist lugema kasutusjuhendit ja selle endale selgeks tegema.
	Kandke kaitseprille	Kandke selle toote kasutamise ajal alati kaitseprille või külgkaitsetega kaitseprille ja täielikku näokaitset.
	Kasutage kõrvade kaitsevahendeid	Kasutage alati oma kuulmise kaitseks müratõkkeid (kõrvatroppesid või kõrvakatteid).
	Lõikelaius	Murutrimmeri maksimaalne lõikeulatus
	Jõhvi diameeter	Nailonist lõikejõhvi diameeter
	Kandke tugevat peakatet	Pea kaitsmiseks kandke nõuetekohast tugevast materjalist peakatet.
	Kandke töökindaid	Tera või tera kaitse käsitemisel kandke kätte kaitsmiseks kindaid. Tugevad ja mittelibisevast materjalist kindad tugevdavad haaret ja kaitsevad käsi.
	Kandke ohutusjalatseid.	Seda seadet kasutades kandke mittelibiseva tallaga ohutusjalatseid.
	Ettevaatust tera tagasilöögiga	Hoiatage seadmega töötavat inimest tera tagasilöögi ohu eest.
	Rikošett ja Hoidke kõrvalised isikud eemal	Võrkehad võivad rikošetiga eemale paiskuda ja selle tagajärjeks võivad olla isikuvigastused või vara kahjustumine. Võsalõikuriga töötamise ajal ei tohi läheduses olla loomi ega teisi inimesi.

ET

	Ärge laske kellelgi töö ajal enda lähedal seista	Trimmeriga töötamise ajal ei tohi vähemalt 15 m raadiuses olla loomi ega teisi inimesi.
	Ümarad terad ei sobi	Ärge paigaldage ümaraid lõiketerasid.
	Vältige seadme kokkupuudet vihmaga	Ärge kasutage seadet vihmajärgel või vihma kätte.
	CE	Toode vastab rakendatavatele EÜ direktiividele.
	WEEE	Elektriseadmete jäätmeid ei tohi visata olmejäätmetesse. Viige heaks kiidetud taaskäitleja juurde.
	Müra	Garanteeritud helivõimsuse tase. Seadme müra keskkonnas on Euroopa Ühenduse direktiiviga vastavuses.
V	volti	Pinge
	alalisvool	Voolu tuup voi omadus
n_0	Tuhikaigu kiirus	Tuhikaigu pooremiskiirus
min ⁻¹	Minutis	Pooret minutis

ÜLDISED ELEKTRITÖÖRIISTADE HOIATUSED

▲ HOIATUS: Lugege läbi kõik elektritööriistaga kaasas olevad hoiatused, juhised, joonised ja andmed. Alloodud juhiste eiramine võib põhjustada elektrilööki, tulekahju ja/või tõsisid vigastusi.

ET

Säilitage hoiatused ja juhised hilisemaks kasutuseks.

Hoiatuses kasutatud termin "elektritööriist" viitab voolu jõul (juhtmega) töötavale elektrilisele tööriistale või aku jõul töötavale (juhtmata) elektrilisele tööriistale.

TÖÖPIIRKONNA OHUTUS

- Tööpiirkond peab olema puhas ja hästi valgustatud. Segadus või valgustamata tööpiirkonnad suurendavad õnnetuste tõenäosust.
- Ärge kasutage elektritööriistu plahvatusohtlikes keskkondades, näiteks kergesti süttivate vedelike, gaaside või tolmu läheduses. Elektritööriistad tekitavad sädemeid, mis võivad süüdata tolmu või aurusid.

- Elektritööriistadega töötamisel hoidke lapsed ja kõrvalseisjad eemal. Tähelepanu hajumine võib põhjustada seadme üle kontrolli kaotamise.

ISIKLIK OHUTUS

- Olge tähelepanelik, töötage hoolikalt ja kasutage tervet mõistust. Ärge kasutage elektritööriista, kui olete väsinud, või rohtude, alkoholi või narkootikumide mõju all. Vaid hetkeline tähelepanematus elektritööriista kasutamisel võib põhjustada raskeid kehavigastusi.
- Kasutage isikukaitsevahendeid. Kandke alati silmakaitsevahendeid. Töötingimustele vastava kaitsevarustuse (nt tolumumaski, mittelibisevate turvakingade, tugeva peakatte või kuulmiskaitsete) kasutamine vähendab kehavigastuste ohtu.
- Vältige tööriista juhuslikku käivitumist. Veenduge, et lüliti on mitteaktiivses asendis, enne tööriista vooluvõrgu või akuplokiga ühendamist ning enne tööriista kandmist või üles tõstmist. Elektritööriistade kandmine sõrme lülilit hoides või aktiivses olekus lülilitga põhjustab õnnetusi.
- Enne tööriista sisselülitamist eemaldage sellelt reguleerimis- ja mutrivõtmed. Elektritööriista pöörleva osa külge unustatud võtmed vms tööriistad võivad põhjustada kehavigastusi.
- Ärge küünitage liiga kaugele. Töötage ainult kindlal maapinnal ja kohtades, kus pole ohtu tasakaalu kaotada. Nii säilitate ootamatutes olukordades elektritööriista üle parema kontrolli.
- Riietuge asjakohaselt. Ärge kandke ehteid ega avaraid riideid. Vältige oma juuste, riiete ja kinnaste kokkupuudet liikuvate osadega. Liiga avarad riided, ehted ja pikad juuksed võivad liikuvate osade vahele kinni jääda.
- Kui tootega on kaasas vahendid tolmu kogumiseks ja väljavõtte seadmete ühendamiseks, veenduge, et need seadmed on korralikult ühendatud ja korrektses kasutuses. Tolmukogumisseadmete kasutamine vähendab tolmu seotud ohtusid.
- Kui seade on teile sagedase kasutamise tulemusel harjumuspäraseks saanud, ärge laske ennast lõdvaks ega ignoreerige tööriista kasutamise ohutuse reegleid. Hooletuse tõttu võite saada tõsisid vigastusi ka sekundi murdosa jooksul.

AKUSEADMETE KASUTAMINE JA HOOLDUS

- Ärge rakendage elektritööriista kasutamisel jõudu. Kasutage konkreetseks tööks sobivat elektritööriista. Sobiva elektritööriistaga sobival kiirusel töötades saate töö valmis kiiresti ja ohutult.
- Ärge kasutage tööriista, mida ei saa lülilit sisse ja välja lülitada. Elektrilised tööriistad, mille lüliti ei tööta, on ohtlikud ja tuleb parandada.

- **Tööriistu, mida te hetkel ei kasuta, hoidke lastele kättesaamatus kohas ning ärge lubage nendega töötada isikutel, kes pole tööriistade tööpõhimõtetega või käesoleva juhendiga tutvunud.** Koolitamata isikute käes on elektrilised tööriistad ohtlikud.
- **Hooldage nii elektritööriistu kui tarvikuid.** Kontrollige, et komponendid on korrektselt joondatud ja ükski osa ei ole paindunud ning jälgige ka muid aspekte, mis võiksid tööriista omadusi mõjutada. Kahjustuste leidmisel laske tööriist enne järgmist kasutust remontida. Halvasti hooldatud tööriistad põhjustavad palju õnnetusi.
- **Hoidke oma tööriistu teravate ja puhastena.** Korralikult hooldatud ja teravate servadega lõikeservad ei paindu nii kergesti ja on lihtsamini juhitavad.
- **Kasutage tööriista, selle tarvikuid, tööriistaosi jm vastavalt käesolevale juhendile, võttes arvesse töötingimusi ja teostatavat tööd.** Tööriista mitte-eesmärgipärane kasutamine võib põhjustada ohtlikke olukordi.
- **Hoidke haardepind ja käepidemed kuivad, puhtad ja vältige õli ja rasva sattumist seadmele.** Libedad käepidemed ja haardepinnad takistavad seadme ohutut kasutamist ja käsitsemist ootamatutes olukordades.
- **Hoidke juhtmed seadme tööpiirkonnast eemal.** Töö ajal võivad juhtmed varjatud olla ning te võite neid seadmega kogemata kahjustada.

AKUSEADMETE KASUTAMINE JA HOOLDUS

- **Kasutage laadimiseks ainult tootja poolt ette nähtud laadijaid.** Akulaadija, mis sobib teatud tüüpi akuplokkile, võib põhjustada tulekahju ohtu, kui seda kasutada mõne teise akuplokkiga.
- **Kasutage elektrilisi tööriistu ainult nende jaoks ette nähtud akuplokkidega.** Mõne muu akuplokki kasutamine võib põhjustada vigastuste ja tulekahju ohtu.
- **Kui akut ei kasutata, hoidke seda eemal muudest metalliesemetest nagu kirjaklambritest, müntidest, võtmetest, naeltest, kruvidest ja muudest väikestest metalliesemetest, mis võivad klemmide vahel ühenduse luua.** Aku klemmide lühühendus võib põhjustada põletushaavu ja tulekahju ohtu.
- **Valedes tingimustes kasutamisel võib akut vedelikku välja tulla; vältige kokkupuudet sellega.** Kokkupuute tekkimisel loputage veega. Kui vedelik satub silma, pöörduge lisaks ka arsti poole. Akust väljuv vedelik võib põhjustada ärritust või põletusi.
- **Ärge kasutage kahjustunud või modifitseeritud akuplokki või tööriista.** Kahjustunud või modifitseeritud akud võivad toimida ettearvamatult, mille tagajärjeks võivad olla tulekahju, plahvatus või vigastuste oht.

- **Vältige akuplokki või tööriista kokkupuudet tule või liiga kõrge temperatuuriga.** Kokkupuude lahtise tule või temperatuuriga üle 100 °C võib põhjustada plahvatus.
- **Järgige kõiki laadimisjuhiseid ja ärge laadige akuplokki või tööriista vale temperatuuri juures (vt. juhised).** Valesti või valel temperatuuril laadimine võib kahjustada akut ja suurendada tulekahju ohtu.

HOOLDUS

- **Laske oma akutööriista hooldada kvalifitseeritud remonditehnikul, kes kasutab ainult identseid originaalvaruosi.** See tagab akuplokki ohutuse säilimise.
- **Ärge kunagi hooldage kahjustunud akuplokke.** Akuplokkide hooldust võib teostada ainult tootja või volitatud teeninduskeskus.

⚠ HOIATUS! Lugege läbi kõik elektritööriistaga kaasas olevad hoiatused, juhised, joonised ja andmed. Alltoodud juhiste eiramine võib põhjustada elektrilööki, tulekahju ja/või tõsisid vigastusi. Säilitage hoiatused ja juhised hilisemaks kasutuseks.

Säilitage hoiatused ja juhised hilisemaks kasutuseks.

KOOLITUS

- **Lugege juhend hoolikalt läbi.** Tutvuge juhtseadmetega ja seadme korrektse kasutamise põhimõtetega.
- **Ärge lubage seadet kasutada inimestel, kes pole tutvunud käesoleva juhendiga, ega lastel.** Kohalikud seadused võivad seada seadme kasutajatele vanusepiiranguid.
- **Pidage meeles, et seadme kasutaja vastutab teiste inimeste või nende varaga juhtuvate õnnetuste eest.**

ETTEVALMISTUS

- **Ärge kasutage seadet teiste inimeste, eriti laste või loomade läheduses.**
- **Töö ajal kasutage alati silmade kaitsevahendeid ja tugevaid jalanõusid.**
- **Vahemaa seadme ja kõrvaliste isikute vahel peab olema vähemalt 15m.**
- **Seadet ei tohi kasutada, kui selle kasutaja on väsinud, haige või alkoholi või teiste ainete/ravimite mõju all.**

SEADME KASUTAMINE

- **Kasutage seadet ainult päevasel ajal või hea kunstliku valgustusega.**
- **Ärge kasutage seadet, mille kaitsepiirid või -katted on kahjustatud või puuduvad.**
- **Mootori sisselülitamisel hoidke käed ja jalad lõikedetailidest eemal.**

- Ühendage seade alati toiteallikast lahti (st. eemaldage akuplokk):
 - kui jätate selle järelvalveta.
 - enne ummistuse eemaldamist;
 - enne seadme kontrollimist, puhastamist või seadistamist;
 - pärast võõrkehaga pörkumist;
 - kui seade hakkab ebanormaalselt vibreerima.
- Jälgige, et lõikeseadmed ei vigastaks teie käsi või jalgu.
- Jälgige, et ventilatsioonivad oleksid kogu aeg puhtad.

HOOLDUS JA HOIUSTAMINE

- Enne hooldus- või puhastustoimingute alustamist eemaldage seade toiteallikast (s.t eemaldage akuplokk).
- Kasutage ainult tootja soovitatud varuosi ja tarvikuid.
- Kontrollige ja hooldage seadet regulaarselt. Laske seadet remontida ainult volitatud remonditöökojas.
- Kui seadet ei kasutata, hoidke seda lastele kättesaamatus kohas.

MUUD OHUTUSHOVIATUSED

- Väلتige ohtlikke keskkondi – ärge kasutage seadmeid niisketil või märgadel kallakutel.
- Hoidke piirid omal kohal ja töökorras.
- Hoidke käed ja jalad tööpiirkonnast eemal.
- Vigastuste esinemise ohu vähendamiseks ärge kunagi kasutage seda seadet, kui seisate redelil või muul ebakindlal pinnal. Ärge kunagi hoidke lõiketarvikut vöökohast kõrgemal.
- Kontrollige lõiketarviku seisukorda töötamise ajal regulaarselt ja sagedasti või koheselt kui ilmneb märgatav muutus lõikeseadmete töös.
- Parimate tulemuste saavutamiseks tuleks laadida akut keskkonnas, mille temperatuur jääb vahemikku 5° C kuni 40° C. Ärge hoiustage akut välistingimustes või sõidukites.
- Kui keegi teile läheneb, seisake mootor ja lõiketarvik koheselt.
- Hoiatage seadmega töötavat inimest tera tagasilöögi ohu eest (ainult 3-teralise lõiketera kasutamisel).
 - Tera tagasilöök võib esineda siis, kui pöörlev lõiketera puutub kokku esemega, mida see kohe läbi ei löika.
 - Tera tagasilöök võib olla piisavalt tugev, et tööriista ja/või sellega töötavat isikut suvalises suunas paisata ning võib juhtuda, et töötaja kaotab seadme üle kontrolli.
 - Tera tagasilöök võib tekkida ootamatult, kui tera puruneb, seisukub või paindub.

- Tera tagasilöögi esinemine on tõeseliseks piirkonnades, kus lõigatavat materjali on raske näha.
- Ärge paigaldage seadme külge ühtegi tera ilma kõigi nõutavate osadeta. Õigete osade kasutamata jätmise korral võib tera seadme küljest minema paiskuda ning sellega töötavat isikut ja/või kõrvalisi isikuid tõsiselt vigastada. Visake ära kõik paindunud, kõverdunud, pragunenud, katkised või muul moel kahjustunud terad. Kasutage teravaid lõiketerasid. Nüri lõiketera võib kergemini puruneda või tagasilööki anda (ainult 3-teralise lõiketera kasutamisel).
- Tühikäigul pöörlev tera võib tekitada vigastusi, sest see jätkab pöörlemist ka siis, kui mootor on peatunud ja päästik vabastatud. Säilitage kontroll seadme üle kuni tera on pöörlemise täielikult lõpetanud.
- Kasutage ainult joonisel A esitatud akuplokke ja laadijaid.
- Akuga töötavaid tööriistu pole vaja vooluvõrku ühendada, seega on nad alati töörežiimis. Olge teadlik võimalikest ohtudest ka ajal, mil tööriist pole sisse lülitatud. Seadme hooldamise või remontimise ajal olge ettevaatlik.
- Ärge peske seadet vooliku abil, väلتige vee sattumist mootorisse ja elektrihenduste peale.
- Kui esineb olukordi, mida pole käesolevas juhendis kirjeldatud käituge hoolsalt ja lähtuge tervest mõistusest. Küsige abi EGO hoolduskeskusest.

HOIDKE SEE KASUTUSJUHEND ALLES!

SPETSIFIKATSIOONID

Pinge	56 V
Tühikäigu kiirus	4000-5800 /min
Lõikeme mehhanism	Muhuga pea
Lõikejõhvi tüüp	2,4mm nailonist jõhv (keerumusega)
Lõikelaius	38 cm
Soovituslik töökeskkonna temperatuur	0°C-40°C
Soovituslik hoiustamise temperatuur	-20°C-70°C
Kaal (ilma akuplokita)	3,2 kg
Möödetud helirõhu tase L_{WA}	92,6 dB(A) K=0,8 dB(A)
Helirõhu tase tööasendis operatori kõrva juures L_{PA}	72,6 dB(A) K=2,5 dB(A)
Garanteeritud helirõhu tase L_{WA} (vastavalt direktiivile 2000/14/EÜ)	93 dB(A)

Vibratsioon a_n	Eesmine abikäepide	3,5 m/s ² K = 1,5 m/s ²
	Tagumine käepide	2,1 m/s ² K = 1,5 m/s ²

- Ametlik vibratsioonitaseme näit on mõõdetud standardsete testmeetodite kohaselt ja seda võidakse kasutada erinevate tööriistade võrdlemiseks.
- Ametlikku vibratsioonitaseme näitu võib kasutada ka alge kokkupuutehinnangu andmiseks.

MÄRKUS: Tegelikul kasutamisel tekiv vibratsioonitase või ametlikult märgitud erineb; turvalisuse eesmärgil peaks seadme kasutaja kandma kindaid ja kuulmiskaitseid.

PAKENDI LOEND

OSA NIMI	KOGUS
Jõhvtrimmer	1
Piire	1
Eesmine abikäepide	1
Õlarihm	1
14mm-kuuskantvõti	1
Kasutusjuhend	1
Lõikejõhv	1

KIRJELDUS

TUNNE OMA JÕHVTRIMMERIT (joon. A)

1. Tagumine käepide
2. Päästiklüüti
3. Lukustusnupp
4. Reguleeritav eesmine abikäepide
5. Õlarihm
6. Vars
7. Piire
8. Aku vabastamise nupp
9. Riiiv
10. Elektrikontaktid
11. Väljutusmehhanism
12. Trimmeripea (muhuga pea)
13. Jõhvi laadimise nupp
14. Lõikejõhv
15. Vabastussakk
16. Jõhvi lõiketera
17. Kuuskantvõti

SEADE

⚠ HOIATUS: Kui mõni osa on kahjustatud või puudub, ärge kasutage seadet enne kui see osa on parandatud. Kasutades kahjustatud või vajalike komponentideta seadet, võite saada raskeid vigastusi.

⚠ HOIATUS: Ärge üritage seadet ümber ehitada ega kasutada lisaseadmeid, mis pole mõeldud kasutamiseks selle trimmeriga. Kõik niisugused muudatused loetakse väärkasutuseks ja need võivad põhjustada ohtlikke olukordi, mis lõppevad raskete vigastustega.

⚠ HOIATUS: Raskeid vigastusi põhjustada võiva juhusliku käivitumise vältimiseks eemaldage seadmeosade kokkupaneku ajaks alati akuplokk.

KAITSEDETAILI PAIGALDAMINE

⚠ HOIATUS: Piirde paigaldamise või vahetamise ajal kasutage alati kindaid. Jälgige tera liikumist ja olge ettevaatlik, et te ei vigastaks oma käsi.

⚠ HOIATUS: Ärge kasutage tööriista, mille turvapiire pole korrektselt paigaldatud. Kasutaja turvalisuse huvides peab piire kogu aeg kinnitatud olema. Piirde paigaldamise järgselt ärge kunagi üritage piiret eemaldada ega kohandada. Väljavahetamise vajaduse korral peab seda tegema kvalifitseeritud tehnik!

Joondage kaks juba eelnevalt piirde külge kinnitatud potti kahe vooli sees oleva kruviauguga (joon. B) ja seejärel pingutage neid kompleksis oleva kuuskantvõtme abil (joon. C).

Veenduge, et piire on kinnitatud vastavalt joonistel B ja C antud juhistele. Juhiste mittejärgimine tekitab väga ohtliku olukorra.

EESMISE ABIKÄEPIDEME PAIGALDAMINE JA KOHANDAMINE

Lükake eesmine abikäepide varre peale (joon. E) ja paigaldage käepideme pesasse kinnitusplokk (joon. F), paigaldage kinnitusdetail ning fikseerige kõik komponendid liblikmutriga (joon. G). Toimingute õige järjestus on kujutatud joonisel D. Viimaseks reguleerige eesmist abikäepidet pehme muhvi ja sildi vahel ning veenduge, et saate kätt kasutamise ajal sirgelt hoida (joon. H). Seejärel lukustage kinnitusdetaili hoob (joon. I).

Jooniste D ja H osade kirjeldus, vt allpool:

D-1	Eesmine abikäepide	D-4	Liblikmutter
D-2	Kinnitusdetail	H-1	Pehme muhv
D-3	Kinnitusplokk	H-2	Hoiatussilt

MÄRKUS: Eesmine abikäepide tuleks pöörata ülespoole, nii et see oleks suunatud tagumise käepideme tipu poole.

⚠ HOIATUS: Kinnitage eesmine abikäepide varrele ainult pehme muhvi ja sildi vahelisele alale.

⚠ HOIATUS: Seda tööriista ei tohi kasutada, kui eesmine abikäepide pole kindlalt kinnitatud.

ÕLARIHMA PAIGALDAMINE

1. Vabastage ja eemaldage rihma konksus olev polt (joon. J1 ja J2).
2. Kinnitage konks varrele nagu on näidatud joonisel J3 ning lukustage see poldi abil (joon. J4).

⚠ HOIATUS: Kinnitage rihma konks ainult korpuse ja varre pehme muhvi vahelisele alale.

KASUTAMINE

⚠ HOIATUS: Ärge muutuge toodet tundma õppides hooletuks. Pidage meeles, et raskeid vigastusi põhjustavaks õnnetuseks piisab ka sekundi murdosa pikkusest tähelepanematuses.

⚠ HOIATUS: Kasutage alati kaitseprille või küljekaitsetega kaitseprille ja kuulmiskaitsemeid. Vastasel korral võib teile midagi silma paiskuda ja võite saada ka muud laadi raskeid vigastusi.

⚠ HOIATUS: Ärge kasutage lisaseadmeid või -tarvikuid, mida selle seadme valmistaja pole soovitanud. Mittesoovituslike lisaseadmete või -tarvikute kasutamine võib põhjustada raskeid kehavigastusi.

⚠ HOIATUS: Raskete vigastuste vältimiseks eemaldage alati aku, enne kui asute seadet remontima, puhastama, tarvikuid vahetama või kinni jäänud objekte eemaldama. Seadet tohib kasutada allpool loetletud eesmärkidel:

Trimimimine: seinte, aedade, puude ja piirete ääres kasvava muru eemaldamiseks.

Lõikamine: sellise muru lõikamiseks, millele on tavalise niiduki abil keeruline ligi pääseda.

MÄRKUS: Seadet tohib kasutada vaid käesolevas juhendis lubatud eesmärgil. Igasugust muud kasutust (nt ärarte trimmerdamist) loetakse väärkasutuseks.

AKUPLOKI PAIGALDAMINE/EEMALDAMINE

MÄRKUS: Parema tasakaalu tagamiseks BA3360/BA4200/BA4200T/BA5600T akude kasutamisel kombineerige neid seljakott-rakmetega (BH1000).

Laadige enne esimest kasutamist täielikult.

Kinnitamine

Joondage aku sooned paigaldusavadega ja suruge akuplokki alla, kuni kuulete klõpsatust (joonis K2).

Eemaldamiseks

Vajutage aku vabastamise nuppu ja tõmmake akuplokk välja, nagu on näidatud joonisel L.

Jooniste K1 ja K2 osade kirjeldus, vt. allpool:

K-1	BA3360/BA4200/ BA4200T/ BA5600T akuplokk	K-4	Riiv
K-2	Adapter	K-5	Aku paigaldamise ava
K-3	Seljakott-rakmed		

JÕHVTRIMMERI HOIUSTAMINE

⚠ HOIATUS: Kandke sobivat riietust, et vältida trimmeri kasutamise käigus vigastuste teket. Ärge kandke ehteid ega avaraid riideid. Kandke nägemis- ja kuulmiskaitsevahendeid. Kandke tugevast materjalist pikki pükse, saapaid ja kindaid. Ärge kandke trimmeriga töötades lühikesi pükse ega sandaale ja ärge töötage paljajalu.

Enne töö alustamist hoidke trimmerit kahe käega - ühe käega tagumist käepidet ja teisega eesmist abikäepidet, mis jääb sirsesse asendisse (joon. M). Seejärel veenduge, et teie jalgealune on kindel ja löikekaugus sobiv.

MÄRKUS: Trimmeripea peaksid olema õiges löikekauguses maapinnaga paralleelselt, ilma et seadmega töötaja peaks kummarduma.

JÕHVTRIMMERI KÄIVITAMINE/SEISKAMINE

Käivitamine

- Vajutage lukustusnuppu ning suruge päästik alla. Löikejõhvi pöörlemiskiirus sõltub sellest, kui tugevalt te päästikut vajutate. Tugevam surve tekitab suurema kiiruse.

Peatamine:

Laske lukustusnupp ja päästik lahti.

MÄRKUS: Mootor töötab vaid siis, kui nii lukustusnupp kui ka päästik on alla vajutatud.

⚠ HOIATUS: Tööpauside ajal ja pärast töö lõpetamist eemaldage alati akuplokk hekilõikuri küljest

JÕHVTRIMMERI KASUTAMINE

⚠ HOIATUS: Raskete vigastuste vältimiseks kasutage seadmega töötades alati kaitseprille. Tolmustes tingimustes kandke näomaski või tolmumaski.

Enne töö alustamist puhastage tööpiirkond vöörkehadest. Eemaldage tööpinnalt kõik, kivid, klaasikillud, naelad, juhtmed ja nõõrid, mis võivad seadme külge või sisse kinni jääda. Jälgige, et tööpiirkonnas poleks lapsi, kõrvalisi isikuid ega loomi- Lapsed, kõrvalseisjad ja loomad peavad olema vähemalt 15 meetri kaugusel; ka selle tingimuse täidetuse korral säilib kõrvalseisjatele mõningane oht. Soovitage kõrvalseisjatel kasutada kaitseprille. Kui keegi teile läheneb, seisake mootor ja lõikeseade koheselt.

Enne iga kasutuskorda kontrollige ega seadme osad kulunud või kahjustatud pole.

Kontrollige lõikepead, piiret ja eesmist abikäepidet ning vahetage välja mõranenud, väärdunud, paindunud või muul moel kahjustatud komponendid.

Piirde jõhvi lõikav äär võib aja jooksul kuluda. Soovitav on seda arg-ajalt viiliga teritada või nürinemise korral uue vastu vahetada.

⚠ HOIATUS: Piirde paigaldamise või hooldamise ajal kasutage alati kindaid. Jälgige tera liikumist ja olge ettevaatlik, et te ei vigastaks oma käsi.

Puhastage trimmerit pärast iga kasutuskorda.

⚠ ETTEVAATUST: Õhutusava ees olevad objektid takistavad õhu pääsemist mootori korpusesse ning selle tulemusena võib mootor üle kuumeneda või kahjustusi saada.

Puhastamiseks kasutage ainult pehmetoimelist seepi ja niisket lappi. Ärge laske vedelikul tööriista sisse sattuda ega kastke tööriista vedeliku sisse.

- Jälgige alati, et mootori korpuse ja võlli õhutusavad oleksid puhtad.

⚠ HOIATUS: Ärge kunagi puhastage trimmerit veega. Vältige plastosade kasutamisel lahustite kasutamist. Enamik plastmasse lagunevad kaubanduslike lahustite toimel kergesti. Kasutage mustuse, tolmu, õli, rasva jm eemaldamiseks puhast lappi.

NÕUANDED PARIMATE TRIMMERDAMISE TULEMUSTE SAAVUTAMISEKS (Joon. N)

- Lõikeseadise õige nurk on maapinnaga paralleelne.
- Ärge kasutage trimmeriga jõudu. Lõikamiseks (eriti seinte ääres) rakendage jõhvi kõige otsmist osa. Kui kasutate lõikamiseks rohkem kui jõhvi otsa, siis vähendab see lõikamise efektiivsust ja võib mootori üle koormata.
- Lõikekõrguse määrab lõikejõhvi kaugus muru pinnast.
- Jõhvi liiga kiire kulumise ja mootori takistamise vältimiseks tuleks üle 20 cm kõrgust muru lõigata järkjärgult väiksemate osadena ülevalla alt.
- Liigutage trimmerit aeglaselt lõigatava ala kohale ja sellest eemale, hoides samal ajal lõikepead soovitud lõikekõrgusel. Seadet võib liigutada kas edasi-tagasi või küljelt-küljele. Parimate tulemuste saavutamiseks lõigake lühemaid vahemaid.
- Trimmerdage muru ja umbrohtu ainult siis, kui need on kuivad.
- Traat- ja teivasaiad kulutavad või lõhuvad jõhvi. Kivi- ja tellisseinad, äärekivid ja puit kulutavad jõhvi kiirelt.

Vältige puid ja põõsaid. Jõhv võib kahjustada puukoort, puidust viimistlusi, välisviimistlusmaterjali ja aiaposte.

Joon. N osade kirjeldus, vt. allpool:

N-1	Parim lõikeala	N-2	Ohtlik lõikeala
-----	----------------	-----	-----------------

LÕIKEJÕHVI KÕRGUSE KOHANDAMINE

Trimmeripea abil saab kasutaja pikendada jõhvi seadet seiskamata. Kui jõhv läheb katki või kulub, puudutage jõhvi pikendamiseks poolihoidikuga kergelt maad ilma trimmerit seiskamata (joon. O).

MÄRKUS: Lõikejõhvi vabastamine muutub jõhvi lühenedes järjest raskemaks.

⚠ HOIATUS: Ärge eemaldage ega kohandage jõhvi lõikeetera. Liiga pikk jõhv põhjustab mootori ülekuumenemist, mis omakorda suurendab raskete vigastuste ohtu.

JÕHVI VAHETAMINE

MÄRKUS: Kasutage alati seadme jaoks mõeldud nailonist jõhvi, mille diameeter ei ületa 2,4 mm. Muu jõhvi peale kindlaks määratud jõhvi kasutamine võib kaasa tuua trimmeri ülekuumenemise või kahjustumise.

⚠ HOIATUS: Ärge kasutage metalse tugevdusega nööri, traati, köit vmt. Need võivad murduda ning õhku tõustes ohtlikuks muutuda.

Jõhvtrimmer on varustatud kaasaegse automaatse jõhvi kerimise süsteemiga. Lõikejõhvi pooli peale kerimiseks tuleb vajutada ainult ühte nuppu. Pooli täiskerimine võtab tavaliselt aega umbes 12 sekundit.

Vältige süsteemi korduvat järjestikust kasutamist, et vähendada mootori kahjustumise riski.

1. Eemaldage akuplokk.
2. Vajadusel eemaldage ülejäänud jõhv. Lihtsalt tõmmake see käsitsi välja.
3. Lõigake (4 m) tükk lõikejõhvi. Sisestage jõhv augukesse (joon. P) ja lükake jõhvi, kuni selle ots tuleb vastaspoole augukesest välja.

Joon. P osade kirjeldus, vt. allapool:

P-1	Lõikejõhv	P-3	Auguke
P-2	Alumine kate		

4. Kui aku on eelnevas etapis jõhvtrimmeri külge ühendatud, siis eemaldage see.
5. Tõmmake jõhvi teiselt poolt kuni mõlemal pool trimmeripead on sama palju jõhvi (joonis Q).
6. Paigaldage akuplokk jõhvtrimmeri külge. Jõhvi kerimise mootori käivitamiseks vajutage ja hoidke all jõhvi laadimise nuppu. Jõhvi keritakse katkestamatult trimmeripea sisse (joon. R).
7. Jälgige hoolikalt järelejäänud jõhvi pikkust. Valmistuge nupu vabastamiseks kohe, kui mõlemale poole jääb umbes 18 cm jõhvi. Vajutage lühidalt jõhvi laadimise nuppu, et reguleerida jõhvi pikkus nii, et mõlemalt poolelt jääb välja 14 cm jõhvi.
8. Vajutage trimmeripead alla, samal ajal jõhve tõmmates, et jõhvi käsitsi edasi liigutada ja kontrollida, kas lõikejõhv on korralikult kokku pandud.

MÄRKUS: Juhul kui jõhv tõmmatakse kogemata trimmeripeasse, siis avage trimmeripea ja tõmmake lõikejõhvi poolilt maha. Jõhvi uuesti laadimiseks järgige juhiseid käesoleva kasutusjuhendi jaotises „LÕIKEJÕHVI UUESTI LAADIMINE“.

LÕIKEJÕHVI UUESTI LAADIMINE

Kui jõhv läheb katki avadest, kust jõhv välja tuleb, või kui jõhv ei tule trimmeripea vastu koputades välja, siis järgige järgmisi etappe, et järelejäänud lõikejõhvi eemaldada ja jõhv uuesti laadida.

1. Vajutage trimmeripea kahele vabastussakile ja eemaldage trimmeripea, tõmmates selle otse välja (joonised S-1 ja S-2).
2. Eemaldage lõikejõhv trimmeripeast ja paigaldage vedru alumise katte mooduli avasse (joon. T).
3. Hoides ühe käega trimmerist ja haarates teise käega alumise katte moodulist, joondage alumise katte mooduli avad vabastussakkidega. Suruge alumise katte moodulit alla, kuni see kinnitub selgelt kuuldava klõpsatusega (joon. U).
4. Uue jõhvi lisamiseks järgi juhiseid osas „JÕHVI VAHETAMINE“.

Jooniste S1, T ja U osade kirjeldus, vt allapool:

S1-1	Alumise katte moodul	U-1	Vabastussakk
S1-2	Vabastussakk	U-2	Ava
T-1	Vedru		

TRIMMERIPEA VAHETAMINE

⚠ HOIATUS: Kui lõikepea tuleb pärast kohale fikseerimist lahti, vahetage see viivitamatult välja. Ärge kunagi kasutage lahtiise lõikeseadmega trimmerit. Mõranenud, kahjustunud või kulunud lõikepea tuleb viivitamatult välja vahetada, isegi kui kahjustuseks on vaevumärgatav mõra. Niisugused lisaseadmed võivad suurel kiirusel puruneda ja põhjustada raskeid vigastusi.

EEMALDAGE TRIMMERIPEA

1. Ühendage akuplokk jõhvtrimmerist lahti.
2. Vajutage trimmeripea vabastussakkidele ja eemaldage trimmeripea alumise katte moodul, tõmmates selle otse välja (joonised S1 ja S2).
3. Eemaldage lõikejõhv trimmeripeast (joon. V).
4. Vajadusel võtke vedru pooli moodulist välja. Hoidke see tagasipanemiseks alles.
5. Kandke kindaid. Haarake ühe käega pooli moodulist, et seda stabiliseerida ning hoidke teise käega lõõkvõti ning keerake mutter selle abil vastupäeva lahti (joon. W).
6. Eemaldage mutter, seib, pooli moodul ja ülemine kate mootorivõlli küljest (joon. X).
7. Vedrurõnga eemaldamiseks kasutage vedrurõnga tange. Eemaldage ventilaatori moodul (joon. Y).
8. Vahetage trimmeripea uue vastu välja ja paigaldage see järgnevalt.

Jooniste W, X ja Y osade kirjeldus, vt allapool:

W-1	Lõõkvõti	X-4	Mutter
X-1	Ülemine kate	Y-1	Ventilaatori moodul
X-2	Pooli moodul	Y-2	Vedrurõngas

X-3	Seib		
-----	------	--	--

Paigaldage uus trimmeripea

1. Joondage ventilaatori mooduli võtmeava mootorivõlli tihvtiga ja paigaldage ventilaatori mooduli (joon. Z).
2. Paigaldage vedrurõngas, ülemine kate, pooli moodul ja seib selles järjekorras. Pingutage mutrit löökvõtme abil.
3. Alumise kate mooduli paigaldamiseks järgige juhiseid käesoleva kasutusjuhendi jaotises „LÕIKEJÕHVI UUESTI LAADIMINE“.
4. Jõhvi uuesti laadimiseks järgige juhiseid osas „JÕHVI VAHETAMINE“.
5. Käivitage tööriist, et näha, kas jõhvtrimmer töötab normaalselt. Kui töötab, siis pange see kokku nii, nagu on kirjeldatud järgnevalt.

JOON. Z OSADE KIRJELDUS, VT. ALLAPOOLE:

Z-1	Tihvt	Z-2	Võtmeava
-----	-------	-----	----------

HOOLDUS

⚠ HOIATUS: Remontimisel kasutage vaid originaalvaruosi. Kontrollige ja hooldage seadet regulaarselt. Ohutuse ja töökindluse tagamiseks tohivad seda seadet remontida ainult vastava kvalifikatsiooniga hooldustehnikud.

⚠ HOIATUS: Akuga töötavaid tööriistu pole vaja vooluvõrku ühendada, seega on nad alati töörežiimis. Raskete vigastuste ennetamiseks olge väga hoolikas, kui teostate hooldus- või remonttööd või vahetate lõikeseadmeid või muid komponente.

⚠ HOIATUS: Raskete vigastuste vältimiseks eemaldage alati aku enne kui asute seadet remontima, puhastama, lisatarvikuid kinnitama või kinni jäänud objekte eemaldama.

SEADME PUHASTAMINE

- Puhastage seade, kasutades õrna puhastusvahendiga immutatud niisket lappi.
- Ärge kasutage plastmasskomponentide või käepidemete puhastamiseks tugevatoimelisi puhastusaineid.

Seadme osi võivad kahjustada teatud aromaatsed õlid (nt männi- või sidruniõli) ja teatud ained (nt petrooleum). Niiskus võib tekitada elektrilöögi ohu. Eemaldage niiskus pehme kuiva lapiga.

- Tagumise korpuse õhutusavade takistustest puhastamiseks kasutage väikest harja või tolmuimeja väikese harja õhuväljutusava.

JÕHVI LÕIKETERA TERITAMINE

⚠ HOIATUS: Käte kaitsmiseks kandke jõhvi lõiketera hooldamisel alati tugevast materjalist kindaid.

1. Eemaldage jõhvi lõiketera piirde küljest.
2. Kanke asjakohaseid silmakaitsevahendeid ja kindaid ning jälgige, et te endale sisse ei lõikaks.
3. Kinnitage tera kruustangide vahele.
4. Viilige tera lõikeservi hoolikalt peenehambalise viili või luisuga, säilitades lõikeservade algse nurga.
5. Vahetage piirde küljes olev tera välja ja kinnitage see kahe kruvi abil.

SEADME HOIUSTAMINE

- Kui te jõhvtrimmerit ei kasuta, eemaldage selle akuplokk.
- Enne tööriista hoiustamist puhastage see hoolikalt.
- Hoidke tööriista kuivas ja kõrges lukustatud ning lastele ligipääsmatus kohas. Ärge hoidke seadet väetiste, biosiini või muude kemikaalide läheduses.

Keskonnakaitse



Ärge visake elektriseadmeid, akulaadijaid ega patareisid / akusid olmeprügi hulka!

Vastavalt Euroopa Liidu eriaruandele nr 2012/19/EÜ tuleb elektri- ja elektroonikaseadmed, mis pole enam kasutatavad, ning vastavalt direktiivile 2006/66/EÜ, ka defektsed või kasutatud akuplokid / patareid, eraldi kokku koguda.

Kui elektriseadmed maetakse maa sisse või viiakse prügimäele, võivad ohtlikud ained põhjavekke lekkida ja toiduahelasse sattuda ning kahjustada teie tervist ja heaolu.

TÖRKEOTSING

PROBLEEM	PÕHJUS	LAHENDUS
Jõhvtrimmer ei käivitu.	<ul style="list-style-type: none"> ■ Akuplokk pole trimmeriga ühendatud. ■ Trimmeri ja aku vahel puudub elektriline ühendus. ■ Akuplokk on tühi. ■ Lukustusnuppu ja päästikut ei vajutatud samaaegselt. 	<ul style="list-style-type: none"> ■ Kinnitage akuplokk trimmeri külge. ■ Eemaldage aku, kontrollige ühendusi ja paigaldage akuplokk tagasi. ■ Laadige akuplokk. ■ Jõhvtrimmeri sisse lülitamiseks vajutage lukustusnuppu ja hoidke seda all ning suruge päästik alla.
Line trimmer stops while cutting	<ul style="list-style-type: none"> ■ Piire pole trimmeri külge kinnitatud, mistõttu on jõhv liiga pikaks läinud ja mootor üle koormatud. ■ Kasutatakse rasket jõhvi. ■ Muru on ummistanud mootori võlli või trimmeri pea. ■ Mootor on ülekoormatud ■ Akuplokk või jõhvtrimmer on liiga kuum. ■ Akuplokk on tööriista küljest lahti ühendatud. ■ Akuplokk on tühi. 	<ul style="list-style-type: none"> ■ Eemaldage akuplokk ja kinnitage piire trimmeri külge. ■ Kasutage soovitatud nailonist lõikejõhvi, mille diameeter pole suurem kui 2,4 mm. ■ Seisake trimmer, ühendage aku lahti ja eemaldage mootori võlli ja trimmeripea ümber kogunenud muru. ■ Tõstke trimmeri pea muru seest välja. Mootor hakkab uuesti tööle kohe, kui takistus on eemaldatud. Niitmise ajal liigutage trimmeri pead niidetava muru sisse ja sealt välja ning ärge lõigake korraga rohkem kui 20 mm muru. ■ Jahutage akuplokki või trimmerit, kuni temperatuur langeb alla 67°C. ■ Paigaldage akuplokk tagasi. ■ Laadige akuplokk.

PROBLEEM	PÕHJUS	LAHENDUS
Trimmeri pea ei anna lisajõhvi välja.	<ul style="list-style-type: none"> ■ Muru on ummistanud mootori võlli või trimmeri pea. ■ Poolihoidikus ei pole piisavalt jõhvi. ■ Trimmeri pea on määrdunud. ■ Jõhv kiilub poolihoidikusse kinni. ■ Jõhv on liiga lühike. 	<ul style="list-style-type: none"> ■ Seisake trimmer, ühendage aku lahti ja eemaldage mootori võlli ja trimmeripea ümber kogunenud muru. ■ Eemaldage aku ja vahetage jõhv, järgides käesoleva juhendi alapunkti "JÕHVI VAHETAMINE" antud juhiseid. ■ Eemaldage aku ja puhastage poolihoidik ning pooli alus. ■ Eemaldage aku ning kerige jõhv poolihoidiku pealt maha ja tagasi, järgides juhiseid käesoleva juhendi jaotises "JÕHVI VAHETAMINE". ■ Eemaldage aku ja tõmmake jõhve ning vajutage samaaegselt mitu korda lõikepea peale.
Grass wraps around trimmer head and motor housing	<ul style="list-style-type: none"> ■ Kõrget muru lõigatakse maapinna lähedal. 	<ul style="list-style-type: none"> ■ Alustage kõrge muru lõikamist ülevalt ja keerumise vältimiseks eemaldage korraka kuni 20 cm.
The blade is not cutting the line.	<ul style="list-style-type: none"> ■ Piirde jõhvi lõikav äär on kulunud. 	<ul style="list-style-type: none"> ■ Teritage jõhvi lõikavat äärt või vahetage see uue vastu.
Cracks on the trimmer head or the spool retainer comes loose with spool base.	<ul style="list-style-type: none"> ■ Trimmeripea on kulunud. 	<ul style="list-style-type: none"> ■ Trimmeripea vahetamist peab teostama vastava kvalifikatsiooniga tehnik.
During line replacement, the line can't be loaded into the trimmer head properly.	<ul style="list-style-type: none"> ■ Poolihoidiku märges „LOAD“ ei joondu pooli aluse augukestega. ■ Jõhv ei ole korrektselt augukeses olevasse paigaldusavasse sisestatud. 	<ul style="list-style-type: none"> ■ Keerake poolihoidikut noolega näidatud suunas nii palju, et poolihoidikul olev märges „LOAD“ oleks kohakuti pooli aluse augukestega. ■ Esmalt joondage märges „LOAD“ augukestega, seejärel sisestage jõhv augukeses olevasse paigaldusavasse.

GARANTII

EGA GARANTIPÕHIMÕTTED

Täielikud EGO garantiitingimused leiate veebilehelt egopowerplus.com.

ET

ПРОЧИТАЙТЕ ВСІ ІНСТРУКЦІЇ!



ПРОЧИТАЙТЕ ПОСІБНИК З ЕКСПЛУАТАЦІЇ

⚠ Залишковий ризик! Люди з електронними пристроями, наприклад кардіостимуляторами, повинні проконсультуватися зі своїм лікарем (лікарями) перед використанням цього виробу. Експлуатація електрообладнання в безпосередній близькості від кардіостимулятора може спричинити перешкоди або несправність кардіостимулятора.

⚠ ПОПЕРЕДЖЕННЯ. Для гарантування безпеки та надійності всі роботи з ремонту та заміни повинен проводити кваліфікований технічний спеціаліст.

СИМВОЛИ, ЩО СТОСУЮТЬСЯ БЕЗПЕКИ

Мета символів, пов'язаних із безпекою, – привернути вашу увагу до можливих небезпек. Символи безпеки та їхнє пояснення заслуговують на вашу пильну увагу та розуміння. Символи попереджень самі по собі не усувають будь-якої небезпеки. Інструкції та попередження, які вони надають, не замінюють належних заходів щодо запобігання аваріям.

⚠ ПОПЕРЕДЖЕННЯ. Перш ніж користуватися цим інструментом, обов'язково ознайомтеся з усіма інструкціями з безпеки, наведеними в цьому посібнику користувача, зокрема з усіма символами попереджень, такими як «НЕБЕЗПЕКА», «ПОПЕРЕДЖЕННЯ» та «ЗАСТЕРЕЖЕННЯ». Недотримання наведених нижче вказівок може спричинити ураження електричним струмом, пожежу та/або серйозні травми.

ЗНАЧЕННЯ СИМВОЛУ

⚠ СИМВОЛ ПОПЕРЕДЖЕННЯ ЩОДО БЕЗПЕКИ: Вказує на НЕБЕЗПЕКУ, ПОПЕРЕДЖЕННЯ АБО ЗАСТЕРЕЖЕННЯ. Може використовуватися разом з іншими символами або піктограмами.

ПРАВИЛА БЕЗПЕКИ

На цій сторінці зображено та описано символи, пов'язані з безпекою, які можуть відобразитися на цьому виробі. Перш ніж намагатися зібрати та експлуатувати його, ознайомтеся з усіма інструкціями на машині та дотримуйтеся їх.

	Попередження щодо безпеки	Вказує на потенційну небезпеку травмування.
	Прочитайте посібник користувача	Щоб зменшити ризик травми, користувач повинен ознайомитися з інструкцією користувача перед використанням цього виробу.
	Надягайте засоби захисту очей	Працюючи з цим виробом, завжди носіть закриті захисні окуляри чи відкриті захисні окуляри з бічними щитками або повнопрофільну захисну маску.
	Надягайте засоби захисту органів слуху	Завжди використовуйте звукові бар'єри (вушні пробки або глушники для вух), щоб захистити слух.
	Ширина різання	Макс. ширина різання ліскового тримера
	Діаметр ліски	Діаметр нейлонової ріжучої ліски
	Надягайте засоби захисту голови	Носіть схвалений захисний шолом для захисту голови.
	Надягайте захисні рукавиці.	Під час роботи з лезом і щитком леза одягайте рукавиці для захисту рук. Міцні рукавички з неслизького матеріалу поліпшують хват і захищають руки.
	Надягайте захисне взуття	Використовуючи таке обладнання, одягайте неслизьке захисне взуття.
	Остерігайтеся упору леза	Попередьте оператора про небезпеку упору леза.

	Небезпека рикошету, тримайте сторонніх спостерігачів подалі	Відкинуті предмети можуть відрикошетитись і призвести до травм або пошкоджень майна. Переконайтеся, що інші люди та домашні тварини залишаються на відстані від куцюріза, коли він використовується.
	Тримайте сторонніх подалі	Переконайтеся, що інші люди та домашні тварини залишаються на відстані принаймні 15 м від лісового тримера, коли він використовується.
	Кругле лезо не використовується	Не встановлюйте кругові різальні леза.
	Не залишайте під дощем	Не використовуйте цей пристрій у дощ і не залишайте його в дощ надворі.
	CE	Цей виріб відповідає чинним директивам ЄС.
	WEEE	Відходи електричних виробів не слід викидати разом із побутовим сміттям. Зверніться до авторизованого пункту переробки.
	Шум	Гарантований рівень звукової потужності. Розповсюдження шуму в навколишнє середовище згідно з директивою Європейського співтовариства.
V	Вольти	Напруга
	Постійний струм	Тип або характеристика струму
n ₀	Швидкість холостого ходу	Обертова швидкість без навантаження
min ⁻¹	На хвилину	Обертів на хвилину

ЗАГАЛЬНІ ПОПЕРЕДЖЕННЯ ЩОДО ТЕХНІКИ БЕЗПЕКИ РОБОТИ З ЕЛЕКТРОІНСТРУМЕНТАМИ

⚠ ПОПЕРЕДЖЕННЯ. Прочитайте всі попередження безпеки, інструкції, ілюстрації та характеристики, надані з цим електроінструментом. Недотримання наведених нижче вказівок може спричинити ураження електричним струмом, пожежу та/або серйозні травми.

Зберігайте всі застереження та інструкції для подальшого використання.

Термін «електроінструмент» у попередженнях стосується електричного інструмента, що працює від електромережі (через шнур) або від акумулятора (без шнура).

БЕЗПЕКА В РОБОЧІЙ ЗОНІ

- Робоче місце має бути чистим і гарно освітленим. Неприбрана або погано освітлена робоча зона може стати причиною нещасного випадку.
- Не працюйте з інструментом у вибухонебезпечному середовищі, наприклад за наявності легкозаймистих рідин, газів або пилу. Під час роботи електроприладу утворюються іскри, від яких можуть зайнятися пил або випари.
- Дітям і спостерігачам заборонено перебувати поруч з електроінструментом, що працює. Це може відволікати вас і призвести до втрати контролю.

ИНДИВІДУАЛЬНА ТЕХНІКА БЕЗПЕКИ

- Під час роботи з електроінструментом будьте уважними, слідкуйте за своїми діями та мисльть розсудливо. Не працюйте з електроінструментом, якщо ви втомлені або перебуваєте під дією наркотичних речовин, алкоголю або ліків. Навіть миттєва неуважність під час роботи з електроінструментом може призвести до важкої травми.
- Використовуйте засоби особистого захисту. Завжди носіть засоби захисту очей. Використання у відповідних умовах таких захисних засобів, як протипиловий респиратор, неслизьке захисне взуття, шолом-каска і навушники допоможе зменшити ризик травмування.
- Уникайте випадкового запуску. Перш ніж підключати електроінструмент до мережі живлення чи акумулятора, брати чи переносити його, перевірте, чи встановлено перемикач у положення «вимкнено». Якщо переносити електроінструмент, тримаючи палець на перемикачі живлення, або підключати його до джерела живлення, коли перемикач живлення перебуває в положенні «увімкнено», це може призвести до травмування.

- **Перш ніж вмикати електроінструмент, слід зняти всі регулювальні клини або гайкові ключі.** Якщо залишити такий ключ на рухомій частині електроінструмента, це може призвести до травмування.
- **Не дотягуйтеся.** Завжди міцно стійте на ногах і втримуйте рівновагу. Це дає змогу краще керувати електроінструментом у разі виникнення непередбачуваних ситуацій.
- **Одягайтеся належним чином.** Не носіть вільного одягу або прикрас. Стежте за тим, щоб волосся, одяг та рукавиці не потрапили на рухомі частини. Вільний одяг, прикраси або довге волосся можуть потрапити в рухомі частини.
- **Якщо пристрої обладнано системою видалення пилу, переконайтеся, що її правильно підключено і що ви використовуєте її належним чином.** Використання пристрою для збирання пилу може зменшити безпеку, пов'язану з пилом.
- **Не дозволяйте навичкам, отриманим після частого використання інструментів, змусити вас стати самовпевненими та ігнорувати принципи безпеки інструмента.** Недбала дія може спричинити серйозну травму протягом долі секунди.

ВИКОРИСТАННЯ ТА ДОГЛЯД ЗА ЕЛЕКТРОІНСТРУМЕНТОМ

- **Не застосовуйте силу до електроінструмента.** Використовуйте належний електроінструмент відповідно до потреби. Правильно підібраний електроінструмент допоможе краще і безпечніше зробити роботу зі швидкістю, яка для неї передбачена.
- **Не використовуйте електроінструмент, якщо перемикач не вмикає або не вимикає його.** Усі електроінструменти, якими неможливо керувати за допомогою перемикача, становлять небезпеку й підлягають ремонту.
- **Тримайте інструмент, що не використовується, подалі від дітей і не дозволяйте особам, які не мають досвіду роботи з такими інструментами або не знайомі з цими інструкціями, користуватись електроінструментом.** Електроінструменти становлять небезпеку в руках недосвідчених користувачів.
- **Доглядайте за електроінструментами та аксесуарами.** Перевіряйте їх на предмет розладнання чи блокування рухомих частин, а також будь-яких обставин, які можуть вплинути на роботу електроінструмента. У разі пошкодження електроінструмент слід здати в ремонт, перш ніж користуватися ним. Часто нещасні випадки трапляються внаслідок неналежного технічного обслуговування електроінструментів.
- **Тримайте ріжучі інструменти гострими й чистими.** Належним чином доглянуті ріжучі інструменти з гострими ріжучими краями рідше блокуються, і ними легше керувати;
- **Користуйтеся електроінструментом, аксесуарами та насадками для інструмента згідно з цією інструкцією, зважаючи на робочі умови та роботу, яку слід виконати.** Використання електроінструмента всупереч призначенню може стати причиною виникнення небезпечних ситуацій.
- **Підтримуйте руків'я та захватні поверхні сухими, чистими, без жиру і бруду.** Слизькі ручки та захватні поверхні не дають змоги безпечно тримати та керувати інструментом у непередбачених ситуаціях.
- **Тримайте кабелі подалі від робочої зони інструмента.** Під час роботи кабелі можуть зникнути з поля зору та випадково пошкодитись інструментом.

КОРИСТУВАННЯ І ДОГЛЯД ЗА АКУМУЛЯТОРНИМ ІНСТРУМЕНТОМ

- **Заряджайте лише за допомогою зарядного пристрою, указанного виробником.** Зарядний пристрій, який підходить для акумуляторів одного виду, може викликати ризик пожежі у випадку його використання з іншим акумулятором.
- **З електроінструментами слід використовувати лише призначені для них акумуляторні батареї.** Використання будь-яких інших акумуляторних батарей може призвести до травми або пожежі.
- **Коли батарея не використовується, її слід тримати окремо від металевих предметів – затискачів паперу, монет, ключів, цвяхів, шурупів та інших дрібних предметів, які можуть замкнути клема.** Коротке замикання клем акумулятора може стати причиною опіків чи пожежі.
- **У надто важких умовах експлуатації з акумулятора може витікати рідина; не доторкайтесь до неї.** Якщо випадково ви все ж торкнулися її, слід промити це місце водою. Якщо рідина потрапила в очі, слід також звернутися до лікаря. Рідина, яка виступає з акумулятора, може спричинити подразнення або опіки.

- **Не використовуйте акумуляторну батарею або інструмент, які пошкоджено або змінено.** Пошкоджені або змінені батареї можуть мати непередбачувану поведінку, що може спричинити пожежу, вибух або ризик травмування.
- **Не піддавайте акумуляторну батарею або інструмент дії вогню або високих температур.** Вогонь або температура вище 100°C може спричинити вибух.
- **Дотримуйтесь усіх інструкцій щодо заряджання та не заряджайте акумуляторну батарею або інструмент за межами температурного діапазону, зазначеного в інструкціях.** Зарядження неналежним чином або при температурах за межами вказаного діапазону може пошкодити акумулятор і збільшити ризик виникнення пожежі.

СЕРВІС

- **Обслуговування електроінструмента повинен виконувати кваліфікований ремонтник із використанням лише ідентичних запасних частин.** Це забезпечить нормальну роботу електроінструмента.
- **Ніколи не ремонтуйте пошкоджені акумулятори.** Сервісне обслуговування акумуляторних акумуляторів має виконувати лише виробник або авторизовані постачальники послуг.

⚠ ПОПЕРЕДЖЕННЯ. Прочитайте всі попередження безпеки, інструкції, ілюстрації та характеристики, надані з цим електроінструментом. Недотримання наведених нижче вказівок може спричинити ураження електричним струмом, пожежу та/або серйозні травми. Зберігайте всі попередження та інструкції для використання у майбутньому.

Зберігайте всі попередження та інструкції для подальшого використання.

НАВЧАННЯ

- Уважно ознайомтеся з інструкцією. Ознайомтеся з органами керування та правилами належного користування куцорізом.
- Не дозволяйте користуватися цим інструментом особам, які не ознайомилися з інструкцією з експлуатації, або дітям. Місцеві нормативні акти можуть обмежувати вік оператора.
- Пам'ятайте, що оператор або користувач несе відповідальність за нещасні випадки або збитки, заподіяні іншим особам чи їхньому майну.

ПІДГОТОВКА

- Ніколи не використовуйте прилад, якщо поблизу є люди, особливо діти, чи домашні тварини.
- Завжди одягайте засоби захисту очей і захисне взуття під час роботи з інструментом.
- Відстань між інструментом і сторонніми спостерігачами має бути не менше 15 м.
- Ніколи не працюйте з інструментом, якщо ви втомлені або перебуваєте під дією алкоголю чи інших речовин.

ЕКСПЛУАТАЦІЯ

- Працюйте з інструментом лише при денному світлі або при гарному штучному світлі.
- Ніколи не користуйтеся інструментом із пошкодженими захисними пристроями чи щитками або без установлених захисних щитків.
- Вмикаючи мотор, упевніться, що ви тримаєте руки та ноги на відстані від рухомих елементів.
- Завжди відключайте інструмент від джерела живлення (тобто виймайте акумуляторну батарею).
 - Коли інструмент залишається без нагляду;
 - перед очищенням засмічення;
 - перед перевіркою, очищенням інструмента або роботою з ним;
 - після зіткнення зі стороннім предметом;
 - коли інструмент починає незвично вібрувати.
- Остерігайтеся травмування ніг і рук різальними засобами.
- Завжди стежте за тим, щоб вентиляційні отвори були чистими й не засміченими.

ТЕХНІЧНЕ ОБСЛУГОВУВАННЯ ТА ЗБЕРІГАННЯ

- Перед проведенням будь-яких операцій з обслуговування або очищення інструмента від'єднайте його від джерела живлення (тобто виймайте батарею).
- Використовуйте лише рекомендовані виробником запасні деталі та приладдя.
- Регулярно оглядайте інструмент і виконуйте його обслуговування. Доручайте ремонт інструмента лише вповноваженому спеціалісту з ремонту.
- Коли інструмент не використовується, тримайте його в недоступному для дітей місці.

ІНШІ ПОПЕРЕДЖЕННЯ ЩОДО БЕЗПЕКИ

- Уникайте небезпечних середовищ. Не використовуйте прилади на вологих або мокрих схилах.
- Запобіжники мають бути на місці та в робочому стані.
- Тримайте руки та ноги подалі від місця різання.
- Щоб зменшити ризик отримання травми, ніколи не слід працювати на драбині або на будь-якій іншій небезпечній опорі. Ніколи не тримайте ріжучий пристрій вище висоти пояса.
- Регулярно перевіряйте ріжучий пристрій через короткі проміжки часу під час роботи, або негайно, якщо помітна зміна в способі різання.
- Для досягнення найкращих результатів акумулятор потрібно заряджати при температурі від 5 °C до 40 °C. Не зберігайте його за межами приміщення або в автомобілі.
- Перед наближенням зупиніть мотор і ріжучий пристрій.
- Попередьте оператора про небезпеку відкидання леза (лише в разі використання леза з 3 зубцями).
- Упор леза може мати місце, коли обертове лезо контактує з предметом, який він не зрізає негайно.
 - Упор леза може бути достатньо сильним і відштовхнути прилад і/або користувача в будь-якому напрямку, і, можливо, призвести до втрати контролю над приладом.
 - Упор леза може статися без попередження, якщо лезо налетить на корчі, застопориться або заплутається.
 - Упор леза частіше відбуваються в областях, де важко побачити матеріал, що зрізається.
 - Не прикріплюйте лезо до приладу без належного встановлення всіх необхідних частин. Використання невідповідних деталей може призвести до вильоту леза та серйозного пошкодження оператора та/або сторонніх спостерігачів. Викидайте лезо, якщо воно зігнулося, деформувалося, тріснуло, зламалося або його пошкоджено будь-яким іншим чином. Використовуйте гостре лезо. Тупе лезо частіше зачіплюється і відкидається (лише в разі використання леза з 3 зубцями).
- Лезо/ліска, що рухається, може спричинити пошкодження, коли продовжує обертатися після зупинки мотора або звільнення тригера. Підтримуйте належний контроль, доки лезо/ліска повністю не припинить обертатися.

- Використовуйте лише акумулятори та зарядні пристрої, перелічені на рис. А.
- Акумуляторні інструменти не потрібно підключати до електричної розетки; отже, вони завжди в робочому стані. Будьте в курсі можливих небезпек, навіть якщо інструмент не працює. Будьте обережні, виконуючи технічне обслуговування чи догляд.
- Не мийте шлангом; уникайте потрапляння води в мотор та електричні з'єднання.
- Якщо виникають ситуації, які не розглядаються в цьому посібнику, проявляйте обережність і розсудливість. Зверніться до сервісного центру для клієнтів EGO по допомогу.

ЗБЕРЕЖІТЬ ЦЮ ІНСТРУКЦІЮ!

ТЕХНІЧНІ ХАРАКТЕРИСТИКИ

Напруга	56 В	
Швидкість холостого ходу	4000–5800 об./хв	
Ріжучий механізм	Ударна головка	
Тип ріжучої ліски	2,4-міліметрова нейлонова вита ліска	
Ширина різання	38 мм	
Діапазон рекомендованих робочих температур	0°C–40°C	
Діапазон рекомендованих температур зберігання	-20°C–70°C	
Вага (без акумулятора)	3,2 кг	
Вимірний рівень звукової потужності L_{WA}	92,6 дБ(A) K=0,8 дБ(A)	
Рівень звукового тиску біля вуха оператора L_{PA}	72,6 дБ(A) K=2,5 дБ(A)	
біля вуха оператора L_{PA} Гарантований рівень звукової потужності L_{WA} (відповідно до 2000/14/EC)	93 дБ(A)	
Вібрація a_h	Передня допоміжна ручка	3,5 м/с ² K=1,5 м/с ²
	Задня ручка	2,1 м/с ² K=1,5 м/с ²

- Вказане загальне значення вібрації виміряне за стандартним методом тестування і може використовуватися для порівняння одного інструмента з іншим;

- Заявлене сумарне значення вібрації може також використовуватись для попередньої оцінки впливу.

ПРИМІТКА. Емісія вібрації під час фактичного використання електрострументу може відрізнитися від заявленої величини, у якій використовується інструмент. Щоб захистити оператора, користувач повинен вдягати рукавички та захисні навушники в реальних умовах використання.

СПИСОК ПРЕДМЕТІВ, ЩО ВХОДЯТЬ У КОМПЛЕКТ

НАЗВА ДЕТАЛІ	КІЛЬКІСТЬ
Лісовий тример	1
Щиток	1
Передня допоміжна ручка в зборі	1
Плечовий ремінь	1
Шестигранний ключ	1
Посібник користувача	1
Ріжуча ліска	1

ОПИС

ОЗНАЙОМЛЕННЯ З ЛІСОВИМ ТРИМЕРОМ (рис. А)

1. Задня ручка
2. Важіль перемикача
3. Кнопка блокування
4. Регульована передня допоміжна ручка
5. Плечовий ремінь
6. Вал
7. Щиток
8. Кнопка звільнення батареї
9. Засувка
10. Електричні контакти
11. Механізм викидання
12. Головка тримера (ударна головка)
13. Кнопка заправлення ліски
14. Ріжуча ліска
15. Фіксатор
16. Лісовий ніж
17. Шестигранний ключ

ЗБИРАННЯ

⚠ ПОПЕРЕДЖЕННЯ. Якщо якісь частини пошкоджені або відсутні, не користуйтеся цим інструментом, доки вони не будуть замінені. Використання цього виробу з пошкодженими або відсутніми деталями може призвести до серйозних травм.

⚠ ПОПЕРЕДЖЕННЯ. Не намагайтеся вдосконалити цей лісовий тример або застосувати приладдя, не рекомендоване для нього. Кожна така заміна чи переробка є фактом неправильного користування, створює небезпечні умови й загрожує серйозними травмами.

⚠ ПОПЕРЕДЖЕННЯ. Щоб запобігти випадковому запуску, що може спричинити серйозні травми, завжди виймайте акумуляторну батарею з інструмента під час монтажу деталей.

УСТАНОВЛЕННЯ ЩИТКА

⚠ ПОПЕРЕДЖЕННЯ. Під час установлення або заміни щитка завжди слід носити рукавички. Остерігайтеся леза на щитку та захистіть руку від травм.

⚠ ПОПЕРЕДЖЕННЯ. Ніколи не використовуйте інструмент, якщо щиток міцно не закріплено. Щиток завжди має бути на інструменті для захисту користувача! Коли щиток зафіксовано, ніколи не намагайтеся зняти або відрегулювати щиток. Якщо потрібно замінити його, це має виконувати кваліфікований технічний персонал!

Сумістіть два болти, попередньо встановлені на захисний кожух, з двома отворами для гвинтів у валу (рис В), а потім затягніть їх за допомогою шестигранного ключа (рис С).

Переконайтеся, що захисний щиток закріплений відповідно до рисунків В і С, будь-яке зворотнє кріплення може призвести до великої небезпеки!

УСТАНОВЛЕННЯ ТА РЕГУЛЮВАННЯ ПЕРЕДНЬОЇ ДОПОМІЖНОЇ РУЧКИ

Насуньте передню допоміжну ручку на вал (рис. Е), потім вставте затисний блок у гніздо ручки (рис. F), закріпіть фіксувальну штангу та затисніть гайкою-баранцем (рис. G). Послідовність показано на рис. D. Нарешті, відрегулюйте передню допоміжну ручку між м'яким рукавом та етикеткою, щоб переконатися, що передня ручка розташована прямо під час використання тримера (рис. H), а потім зафіксуйте важіль фіксувальної штанги (рис. I).

Рис. D і H – див. опис деталей нижче:

D-1	Передня допоміжна ручка	D-4	Гайка-баранець
D-2	Фіксувальна штанга	H-1	М'який рукав
D-3	Затискний блок	H-2	Етикетка з попередженням

ПРИМІТКА. Передня допоміжна ручка має бути повернена вгору та направлена на верхню частину задньої ручки.

⚠ ПОПЕРЕДЖЕННЯ. Обов'язково зафіксуйте передню допоміжну ручку між м'яким рукавом і етикеткою на валу.

⚠ ПОПЕРЕДЖЕННЯ. Інструмент не можна використовувати без надійної фіксації передньої допоміжної ручки.

КРІПЛЕННЯ ПЛЕЧОВОГО РЕМІНЦЯ

- Відкрутіть і зніміть болт гачка ремінця (рис. J1 і J2).
- Прикріпіть гачок на вал, як показано на рис. J3, і зафіксуйте його за допомогою болта (рис. J4).

⚠ ПОПЕРЕДЖЕННЯ. Зафіксуйте гачок ремінця між корпусом та м'яким рукавом на валу.

ЕКСПЛУАТАЦІЯ

⚠ ПОПЕРЕДЖЕННЯ. Знання виробу не має робити вас небалним. Пам'ятайте, що лічені секунди неважливості досить для серйозної травми.

⚠ ПОПЕРЕДЖЕННЯ. Завжди носіть закриті або відкриті захисні окуляри з бічними щитками разом із захисними навушниками. Без окулярів ви ризикуєте травмами очей від викинутих предметів та іншими серйозними травмами.

⚠ ПОПЕРЕДЖЕННЯ. Не використовуйте ніякі приладдя чи насадки, не рекомендовані виробником цього пристрою. Використання нерекондованого приладдя чи насадок може призвести до серйозних травм.

⚠ ПОПЕРЕДЖЕННЯ. Щоб запобігти серйозним травмам, вийміть акумуляторну батарею з інструмента перед обслуговуванням, очищенням, заміною насадок або видаленням матеріалу з пристрою.

Ви можете використовувати цей виріб для цілей, перелічених нижче:

Підрізання: використовується для видалення трави та бур'янів біля стін, парканів, дерев та бордюрів.

Зрізання: використовується для зрізання трави, яку важко дістати за допомогою звичайної косарки.

ПРИМІТКА. Цей інструмент має використовуватись тільки за призначенням. Будь-яке інше використання, наприклад підрізання країв, вважається випадком використання не за призначенням.

УСТАНОВЛЕННЯ І ВИДАЛЕННЯ АКУМУЛЯТОРА

ПРИМІТКА. Для кращої рівноваги використовуйте акумулятори BA3360/BA4200/BA4200T/BA5600T разом із наплічними ременями (BH1000).

Повністю зарядіть перед першим використанням.

Установлення

Вирівняйте виступи на акумуляторі з кріплими отворами та натисніть на акумуляторну батарею, доки не почуєте «кляцання» (рис. K2).

Видалення

Натисніть кнопку звільнення акумулятора та витягніть акумуляторну батарею, як показано на рис. L.

Рис. K1 і K2 – див. опис деталей нижче:

K-1	Наплічник BA3360/BA4200/BA4200T/BA5600T	K-4	Засувка
K-2	Адаптер	K-5	Паз для кріплення акумулятора
K-3	Наплічний ремінь		

ТРИМАННЯ ТРИМЕРА

⚠ ПОПЕРЕДЖЕННЯ. Одягайтеся правильно, щоб зменшити ризик травми під час роботи з цим інструментом. Не носіть вільного одягу або прикрас. Одягайте захисні окуляри та навушники. Носіть міцні, довгі штани, взуття та рукавички. Не носіть шорти, сандалі, не працюйте босоніж.

Перед експлуатацією візьміть тример обома руками, однією рукою за задню ручку, а іншою за передню допоміжну ручку, яка має розташовуватися прямо (рис. M). Потім перевірте рівновагу і правильну відстань різання.

⚠ ПРИМІТКА. Головка тримера має бути паралельною землі на достатній відстані для різання, оператор не повинен нагинатися.

ЗАПУСК/ЗУПИНКА ЛІСКОВОГО ТРИМЕРА

Початок

Натисніть кнопку блокування, а потім натисніть на тригер. Різний тиск на тригер призводить до змінної швидкості обертання ріжучої ліски. Що більше тиску, то більша швидкість.

Зупинка

Відпустіть кнопку блокування та тригер.

▲ ПРИМІТКА. Мотор працює лише тоді, коли кнопку блокування та тригер натиснуто.

ПОПЕРЕДЖЕННЯ. Завжди виймайте акумуляторну батарею з лісового тримера під час перерв у роботі та після закінчення роботи.

ВИКОРИСТАННЯ ЛІСОВОГО ТРИМЕРА

▲ ПОПЕРЕДЖЕННЯ. Щоб уникнути серйозних травм, завжди використовуйте закриті або відкриті захисні окуляри під час роботи з цим пристроєм. Одягайте маску для обличчя або пилову маску в місцях, де є пил.

Очищуйте ділянку підрізання перед кожним використанням. Видаліть усі предмети, такі як камені, бите скло, цвяхи, дроти або ліску, які можуть бути відкинуті або затягнуті в ріжуче обладнання. Приберіть із робочої області дітей, сторонніх і домашніх тварин. Принаймні тримайте всіх дітей, сторонніх спостерігачів і домашніх тварин на відстані не менше 15 м; проте для сторонніх спостерігачів усе одно може бути ризик від відкинутих предметів. Стороннім спостерігачам слід рекомендувати носити засоби захисту очей. Перед наближенням зупиніть мотор і ріжучий пристрій негайно.

Перед кожним використанням перевірте наявність пошкоджень/зношених деталей

Перевірте ударну головку, щиток і передню ручку, а також замініть частини, які тріснули, викривлені, зігнуті або будь-яким чином пошкоджені.

Ріжучий лісовий ніж на краю щитка може затупитися з часом. Рекомендується періодично заточувати його за допомогою напилка або замініти його на нове лезо.

▲ ПОПЕРЕДЖЕННЯ. Завжди слід носити рукавички під час кріплення щитка або обслуговування леза. Остерігайтеся леза на щитку та захистіть руку від травм.

Після кожного використання очистьте тример.

▲ ОБЕРЕЖНО. Засмічення вентиляційних отворів перешкоджає проникненню повітря в корпус мотора і може призвести до перегріву або пошкодження мотора.

Чистьте тільки м'яким милом і вологою ганчіркою. Ніколи не допускайте потрапляння рідини всередину інструмента; ніколи не занурюйте будь-яку частину інструмента в рідину.

- Завжди оберегайте вентиляційні отвори в корпусі мотора від сміття.

▲ ПОПЕРЕДЖЕННЯ. Ніколи не використовуйте воду для очищення тримера. Не застосовуйте розчинники, коли чистите пластмасові деталі. Більшість пластмас чутливі до пошкоджень різноманітними промисловими розчинниками. Для видалення бруду, пилу, мастила тощо користуйтеся чистою ганчіркою.

ПОРАДИ ДЛЯ ДОСЯГНЕННЯ НАЙКРАЩИХ РЕЗУЛЬТАТІВ ЗРІЗАННЯ (РИС. N)

- Ріжуче обладнання має розташовуватися паралельно землі.
- Не застосовуйте силу до тримера. Лише кінчик ліски має зрізати траву (особливо вздовж стін). Зрізання більшою частиною ліски, а не тільки кінчиком, зменшить ефективність зрізання та може перевантажити мотор.
- Висота зрізання визначається відстанню від ріжучої ліски від поверхні газону.
- Траву висотою більше 20 см необхідно зрізати поступово зверху вниз із невеликим кроком, щоб уникнути передчасного зносу ліски або застрягання мотора.
- Повільно переміщайте тример по області зрізання, зберігаючи положення ріжучої головки на потрібній висоті зрізання. Це може бути рух як вперед і назад, так і з боку в бік. Зрізання меншої довжини трави дає найкращі результати.
- Зрізайте, тільки коли трава та бур'яни сухі.
- Дротяні огорожі та частокли можуть спричинити надмірний знос або пошкодження ліски. Кам'яні та цегляні стіни, бордюри та деревина можуть швидко зношувати ліску.
- Уникайте дерев і чагарників. Кора дерев, дерев'яні плінтуси, сайдинг і паркани можуть бути легко пошкоджені ліскою.

Рис. N – див. опис деталей нижче:

N-1	Найкраща область зрізання	N-2	Небезпечна область зрізання
-----	---------------------------	-----	-----------------------------

UK

РЕГУЛЮВАННЯ ДОВЖИНИ РІЖУЧОЇ ЛІСКИ.

Тримерна головка дає оператору змогу випускати більше ріжучої ліски, не зупиняючи мотор. Коли ліска стирається або зношується, можна випустити додаткову ліску, злегка вдаривши фіксатором катушки об землю під час роботи з тримером (рис. O).

ПРИМІТКА. Випуск ліски стане складнішим, коли ріжуча ліска стане коротшою.

⚠ ПОПЕРЕДЖЕННЯ. Не видаляйте та не змінюйте ріжуче лезо в зборі. Надмірна довжина ліски призведе до перегріву мотора та може спричинити серйозні травми.

ЗАМІНА ЛІСКИ

ПРИМІТКА. Завжди використовуйте рекомендовану нейлонову ріжучу ліску з діаметром, що не перевищує 2,4 мм. Використання іншої ліски, відмінної від указаної, може спричинити перегрівання ліскового тримера або його пошкодження.

⚠ ПОПЕРЕДЖЕННЯ. Ніколи не використовуйте металеву ліску, дріт або канат тощо. Вони можуть зламатись і стати небезпечними снарядами.

Лісковий тример оснащений удосконаленою автоматичною системою змотування ліски. Ріжучу ліску можна намотати на котушку простим натисканням однієї кнопки. Повне завантаження котушки можна виконати за 12 секунд. Не використовуйте систему намотування кілька разів поспіль, щоб зменшити ймовірність пошкодження мотора.

1. Вийміть акумуляторну батарею.
2. Видаліть залишкову ріжучу ліску, якщо це необхідно. Просто витягніть її вручну.
3. Відріжте шматок ліски завдовжки 4 м. Просуньте ліску в отвір (рис. P) і натискайте на ліску, доки її кінець не вийде з протилежного отвору.

Рис. P – див. опис деталей нижче:

P-1	Ріжуча ліска	P-3	Отвір
P-2	Нижня кришка		

4. Вийміть акумулятор, якщо його було встановлено на лісковий тример на попередньому кроці.
5. Витягніть ліску з іншої сторони, доки не з'явиться рівна кількість ліски з обох боків головки тримера (рис. Q).
6. Установіть акумулятор на лісковий тример. Натисніть і утримуйте кнопку завантаження ліски, щоб запустити мотор намотування. Ліска буде безперервно намотуватися на тримерну головку (рис. R).
7. Уважно стежте за довжиною ліски, що залишається. Приготуйтеся відпустити кнопку, щойно з кожного боку залишиться приблизно 18 см ліски. Натисніть і відпустіть кнопку завантаження ліски, щоб відрегулювати довжину ліски до 14 см із кожного боку.
8. Натисніть на головку тримера, тягнучи за ліску, щоб просувати ліску вручну, і перевірте, чи ліску завантажено правильно.

ПРИМІТКА. У випадку, якщо ліска випадково втягнулася в головку тримера, відкрийте головку та витягніть ріжучу ліску з котушки. Дотримуйтесь розділу «ЗАПРАВЛЕННЯ РІЖУЧОЇ ЛІСКИ» в цьому посібнику, щоб заправити ліску.

ЗАПРАВЛЕННЯ РІЖУЧОЇ ЛІСКИ

Коли ріжуча ліска виривається з отвору або ріжуча ліска не випускається під час удару тримерної головки, виконайте наведені нижче дії для видалення ріжучої ліски, що залишилася, і заправити ліску:

1. Натисніть на два фіксатори головки тримера та зніміть головку тримера, витягнувши її (рис. S-1 і S-2).
2. Вийміть ріжучу ліску з головки тримера та вставте пружину в отвір у нижній кришці в зборі (рис. T).
3. Тримайте однією рукою тример, іншою рукою візьміться за нижню кришку в зборі та сумістіть отвори в нижній кришці в зборі з фіксаторами. Натискайте на нижню кришку в зборі, доки вона не зафіксується на місці, і тоді ви почуєте виразний звук клацання (рис. U).
4. Дотримуйтеся вказівок у розділі «ЗАМІНА ЛІСКИ», щоб заправити ріжучу ліску.

Рис. S1, T і U – див. опис деталей нижче:

S1-1	Нижня кришка в зборі	U-1	Фіксатор
S1-2	Фіксатор	U-2	Отвір
T-1	Пружина		

ЗАМІНА ГОЛОВКИ ТРИМЕРА

⚠ ПОПЕРЕДЖЕННЯ. Якщо кріплення головки послаблюється після фіксації в її положенні, негайно замініть її. Ніколи не використовуйте тример із незакріпленим ріжучим пристроєм. Негайно замініть тріснуту, пошкоджену або зношену ріжучу головку, навіть якщо пошкодження являє собою лише поверхневі тріщини. Такі насадки можуть руйнуватися на високій швидкості і призвести до серйозних травм.

Зняття головки тримера

1. Вийміть акумуляторну батарею з лісового тримера.
2. Натисніть на фіксатори на головці тримера та зніміть нижню кришку в зборі, витягнувши її (див. рис. S1 і S2).
3. Вийміть ріжучу ліску з головки тримера (рис. V).
4. За необхідності вийміть пружину з котушки. Збережіть її для подальшого збирання.
5. Одягніть рукавиці. Однією рукою візьміться за котушку в зборі, щоб стабілізувати її, а іншою рукою тримайте ударний гайковерт, щоб відкрутити гайку проти годинникової стрілки (рис. W).
6. Зніміть гайку, шайбу, котушку в зборі та верхню кришку з вала мотора (рис. X).
7. Використовуйте щипці для стопорних кілець, щоб зняти стопорне кільце. Зніміть вентилятор у зборі (рис. Y).
8. Замініть на нову головку тримера та встановіть її, виконавши перелічені нижче дії.

Рис. W, X та Y – див. опис деталей нижче:

W-1	Ударний гайковерт	X-4	Гайка
X-1	Верхня кришка	Y-1	Вентилятор у зборі
X-2	Котушка в зборі	Y-2	Стопорне кільце
X-3	X-3 Шайба		

Установлення нової головки тримера

1. Сумістіть отвір на вентиляторі з шліцом на валі мотора і встановіть вентилятор на місце (рис. Z).
2. Установіть стопорне кільце, верхню кришку, котушку в зборі та шайбу в такій послідовності. Затягніть гайку ударним гайковертом.
3. Дотримуючись вказівок, наведених у розділі «ЗАПРАВЛЕННЯ РІЖУЧОЇ ЛІСКИ» в цьому посібнику, закріпіть нижню кришку в зборі.
4. Дотримуйтеся інструкцій у розділі «ЗАМІНА ЛІСКИ», щоб заправити ріжучу ліску.
5. Запустіть інструмент, щоб перевірити, чи лісовий тример працює нормально. Якщо ні, повторно зберіть його, як описано вище.

Рис. Z – див. опис деталей нижче:

Z-1	Шліцеве з'єднання	Z-2	Шліцеве з'єднання
-----	-------------------	-----	-------------------

ТЕХНІЧНЕ ОБСЛУГОВУВАННЯ

⚠ ПОПЕРЕДЖЕННЯ. Використовуйте для технічного обслуговування лише ідентичні запчастини. Регулярно оглядайте інструмент і виконуйте його обслуговування. Для гарантування безпеки та надійності всі ремонтні роботи повинен проводити кваліфікований технічний спеціаліст.

⚠ ПОПЕРЕДЖЕННЯ. Акумуляторні інструменти не потрібно підключати до електричної розетки; отже, вони завжди в робочому стані. Щоб запобігти серйозному травмуванню, вживайте додаткових заходів та будьте обережні під час технічного обслуговування або зміни різального обладнання чи інших пристосувань.

⚠ ПОПЕРЕДЖЕННЯ. Щоб запобігти серйозним травмам, вийміть акумуляторну батарею з інструмента перед обслуговуванням, очищенням, заміною додаткових насадок або видаленням матеріалу з пристрою.

ОЧИЩЕННЯ ПРИЛАДУ

- Очиште прилад вологою ганчіркою з м'яким миючим засобом.
- Не використовуйте сильні миючі засоби на пластиковому корпусі або ручці. Вони можуть бути пошкоджені деякими ароматичними маслами, наприклад хвойним і лимонним, а також розчинниками, такими як гас. Вологість також може становити небезпеку удару. Обережно протріть вологу м'якою сухою тканиною.
- Використовуйте невелику щітку або невеликий пілосос із виводом повітря для очищення вентиляційних отворів ззаду на корпусі.

ЗАТОЧУВАННЯ ЛІСОВОГО НОЖА

⚠ ПОПЕРЕДЖЕННЯ. Завжди захищайте руки, одягаючи міцні рукавички під час виконання будь-якого технічного обслуговування лісового ножа.

1. Вийміть лісовий ніж із кожуха.
2. Використовуйте належні засоби захисту очей та рукавички й будьте обережні, щоб не порізатися.
3. Закріпіть ніж у лещатах.
4. Аккуратно заточіть ріжучі кромки ножа дрібним напилком або точильним каменем, зберігаючи вихідний кут ріжучої кромки.
5. Установіть ніж на захисний кожух та зафіксуйте його двома гвинтами.

ЗБЕРІГАННЯ ПРИЛАДУ

- Витягніть акумуляторну батарею з тримера, коли він не використовується.
- Перед зберіганням інструмент необхідно ретельно очистити.
- Зберігайте пристрій у сухому, добре вентильованому, закритому або високо розташованому недоступному для дітей місці. Не зберігайте пристрій біля мінеральних добрив, бензину та інших хімікатів.

Захист довкілля



Не викидайте електричне обладнання, зарядний пристрій та батарейки/акумулятори в побутові відходи!

Відповідно до європейського закону 2012/19/ЄС електричне та електронне обладнання, яке більше не придатне для використання, і згідно з європейським законом 2006/66/ЄС дефектні або використані акумуляторні батареї мають збиратись окремо.

Якщо електричний пристрій утилізується на сміттєзвалищі, небезпечні речовини можуть вилетіти в ґрунтові води та потрапити в харчовий ланцюг, що може зашкодити вашому здоров'ю та самопочуттю.

УСУНЕННЯ НЕСПРАВНОСТЕЙ

НЕСПРАВНІСТЬ	ПРИЧИНА	ВИРІШЕННЯ
Лісовий тример не запускається.	<ul style="list-style-type: none"> ■ Акумуляторна батарея не приєднана до лісового тримера. ■ Немає електричного контакту між тримером і батареєю. ■ Акумуляторна батарея розряджена. ■ Кнопка блокування та тригер не натиснуто одночасно. 	<ul style="list-style-type: none"> ■ Під'єднайте акумулятор до лісового тримера. ■ Вийміть акумулятор, перевірте контакти та знову встановіть акумулятор. ■ Зарядіть акумуляторну батарею. ■ Натисніть кнопку блокування та утримуйте її, а потім натисніть на тригер, щоб увімкнути лісовий тример.
Лісовий тример зупиняється під час різання.	<ul style="list-style-type: none"> ■ Щиток не встановлено на тример, у результаті чого ріжуча ліска надмірно довга і мотор перевантажено. ■ Використовується важка ріжуча ліска. ■ У валі мотора або головці тримера застрягла трава. ■ Мотор перевантажено. ■ Акумулятор або лісовий тример занадто гарячі. ■ Акумулятор від'єднано від інструмента. ■ Акумуляторна батарея розряджена. 	<ul style="list-style-type: none"> ■ Вийміть акумуляторну батарею та встановіть щиток на тример. ■ Використовуйте рекомендовану нейлонову ріжучу ліску з діаметром не більше 2,4 мм. ■ Зупиніть тример, вийміть акумулятор і витягніть траву з вала мотора та головки тримера. ■ Заберіть головку тримера з трави. Мотор відновить роботу, щойно навантаження буде усунуто. Під час різання переміщайте тримерну головку в траву і з неї, і прибирайте не більше 20 см довжини за одне різання. ■ Дайте акумуляторній батареї або тримеру охолонути, доки температура не опуститься нижче 67 °С. ■ Знову встановіть акумуляторну батарею. ■ Зарядіть акумуляторну батарею.

НЕСПРАВНІСТЬ	ПРИЧИНА	ВИРІШЕННЯ
Тримерна головка не просуває ліску.	<ul style="list-style-type: none"> ■ У валі мотора або головці тримера застрягла трава. ■ У фіксаторі котушки бракує ліски. ■ Тримерна головка брудна. ■ Ліска заплуталась у тримачі котушки. ■ Ліска занадто коротка. 	<ul style="list-style-type: none"> ■ Зупиніть тример, вийміть акумулятор і витягніть траву з вала мотора та головки тримера. ■ Вийміть акумулятор і замініть ріжучу ліску; дотримуйтеся вказівок у розділі «ЗАМІНА ЛІСКИ» в цьому посібнику. ■ Вийміть акумулятор і очистьте тримач котушки та основу котушки. ■ Зніміть акумулятор, витягніть ліску з тримача котушки та перемотайте; дотримуйтеся вказівок у розділі «ЗАМІНА ЛІСКИ» в цьому посібнику. ■ Вийміть акумулятор і витягніть ліску, поперемінно натискаючи та відпускаючи тримерну головку.
Трава намоталася на головку тримера та корпус мотора.	<ul style="list-style-type: none"> ■ Різання високої трави на рівні землі. 	<ul style="list-style-type: none"> ■ Вирізайте високу траву згори вниз, видаляючи не більше 20 см за кожен прохід, щоб запобігти намотуванню.
Лезо не ріже ліску.	<ul style="list-style-type: none"> ■ Ріжучий лісковий ніж на краю щитка затупився. 	<ul style="list-style-type: none"> ■ Заточіть лісковий ніж напилком або замініть на новий ніж.
Тріщини на тримерній головці або тримачі котушки поступово відкручуються на основі котушки.	<ul style="list-style-type: none"> ■ Головка тримера зношена. 	<ul style="list-style-type: none"> ■ Замініть тримерну головку негайно, доручіть це кваліфікованому технічному спеціалісту.
Під час заміни ліски вона не може бути правильно завантажена в головку тримера.	<ul style="list-style-type: none"> ■ Лінії ЗАВАНТАЖЕННЯ тримача котушки не відповідають вушкам на основі котушки. ■ Ліска неправильно вставлена в кріпильний отвір у вушці. 	<ul style="list-style-type: none"> ■ Поверніть фіксатор котушки в напрямку стрілки, щоб вирівняти лінії ЗАВАНТАЖЕННЯ на тримачі котушки з вушками на основі котушки. ■ Спочатку вирівняйте лінії ЗАВАНТАЖЕННЯ з вушками, а потім вставте ліску в кріпильний отвір, розташований усередині вушка.

UK ГАРАНТІЯ

ПРАВИЛА ГАРАНТІЇ EGO

Будь ласка, відвідайте веб-сайт egopowerplus.com для отримання повних умов гарантійної політики EGO.

ПРОЧЕТЕТЕ ВСИЧКИ ИНСТРУКЦИИ!



ПРОЧЕТЕТЕ РЪКОВОДСТВОТО НА ОПЕРАТОРА

⚠ Остатъчен риск! Хора с електронни устройства, като пейсмейкър трябва да се консултират с лекуващия(те) си лекар(и) преди употреба на този продукт. Работата с електрическо оборудване в непосредствена близост до сърдечен пейсмейкър може да предизвика смущение или неизправност на пейсмейкъра.

⚠ ПРЕДУПРЕЖДЕНИЕ: За да осигурите безопасността и надеждността, всички поправки и подмени трябва да се извършват от квалифициран сервизен техник.

СИМВОЛИ ЗА БЕЗОПАСНОСТ

Целта на символите за безопасност е да превличат вниманието към възможни опасности. Символите за безопасност и обясненията към тях заслужават вашето повишено внимание и осъзнаване. Символите за безопасност сами по себе си не елиминират каквато и да е опасност. Инструкциите и предупрежденията, които предоставят не са заместители за подходящите мерки за предотвратяване на инцидент.

⚠ ПРЕДУПРЕЖДЕНИЕ: Уверете се, че сте прочели и осъзнали всички инструкции за безопасност в това Ръководство на оператора, включително всички известяващи символи за безопасност, като "ОПАСНОСТ," "ПРЕДУПРЕЖДЕНИЕ," и "ВНИМАНИЕ" преди да използвате този инструмент. Неспазването на всички инструкции изброени долу може да доведе до електрически шок, пожар и/или сериозно нараняване.

ЗНАЧЕНИЕ НА СИМВОЛИТЕ

⚠ СИМВОЛ СИГНАЛИЗИРАЩ ЗА БЕЗОПАСНОСТ: Показва ОПАСНОСТ, ПРЕДУПРЕЖДЕНИЕ, ИЛИ ВНИМАНИЕ. Могат да бъдат използвани във връзка с други символи или пиктограми.

ИНСТРУКЦИИ ЗА БЕЗОПАСНОСТ

Тази страница изобразява и описва символите за безопасност, които може да се появят по този продукт. Прочетете, осъзнайте и следвайте всички инструкции по машината преди предприемане на сглобяване или работа..

	Сигнал за безопасност	Показва риска от потенциално нараняване на човек.
	Прочетете ръководството на оператора	За намаляване на опасността от нараняване, потребителят трябва да прочете и разбере ръководството на оператора преди използването на този продукт.
	Носете защита за очите	Винаги носете предпазни очила със странична защита и предпазен екран за цялото лице, когато работите с този продукт.
	Носете защита за слуха	Винаги носете звукова защита (тапи за уши или антифони) за да защитите вашия слух.
	Ширина на рязане	Максималната режеща ширина на кордов тример
	Диаме-тър на кордата	Диаметър на найлонова режеща корда
	Носете защита за главата	Носете одобрена предпазна каска с твърдо бомбе за да предпазите главата.
	Носете защитни ръкавици	Защитете ръцете си с ръкавици, когато боравите с ножа или предпазителя на ножа. Неплъзгащите се ръкавици за тежка работа подобряват вашия захват и защитават ръцете.
	Носете предпазни ръкавици	Носете неплъзгащи се обувки за безопасност, когато използвате това оборудване.
	Пазете се от тласкане на ножа	Предупредете оператора за опасност от тласкане на ножа.

	Дръжте околните хора надалеч поради рикошет	Изхвърлените обекти могат да рикошират и да доведат до нараняване или щети по собствеността. Уверете се, че други хора и домашни любимци спазват достатъчно разстояние от хралостреза, когато го използвате.
	Дръжте околните хора надалеч	Уверете се, че други хора и домашни любимци спазват поне 15 м разстояние от тримера, когато го използвате.
	Без кръгъл нож	Не монтирайте кръгли режещи ножове.
	Не излагайте на дъжд	Не използвайте в дъжд или не го оставяйте навън, когато вали.
	CE	Този продукт е в съответствие с приложимите директиви на ЕС.
	WEEE	Отпадъчните електрически продукти не трябва да бъдат изхвърляни заедно с домакинския отпадък. Отнесете го до упълномощено място за рециклиране.
	Шум	Гарантирано ниво на мощност на звука. Звуковите емисии към околната среда са в съответствие с директивите на европейската общност.
V	Волта	Напрежение
	Постоянен ток	Вид или характеристика на тока
n_0	Скорост без натоварване	Скорост на въртене без товар
min ⁻¹	на минута	Обороти в минута

ОБЩИ ПРЕДУПРЕЖДЕНИЯ ЗА БЕЗОПАСНОСТ НА ЕЛЕКТРИЧЕСКИ ИНСТРУМЕНТИ

⚠ ПРЕДУПРЕЖДЕНИЕ: Прочетете всички предупреждения за безопасност, инструкции, илюстрации и спецификации предоставени с този електрически инструмент. Неспазването на всички инструкции изброени долу може да доведе до токов удар, пожар и/или сериозно нараняване.

Запазете всички предупреждения и инструкции за бъдеща справка.

Терминът "Електрически инструмент" в предупрежденията се отнася до захранвани от мрежата (кабелни) електрически инструменти или захранвани чрез батерия (безкабелни) електрически инструменти.

БЕЗОПАСНОСТ В РАБОТНАТА ЗОНА

- Поддържайте работната зона чиста и добре осветена. Разхвърляни или тъмни работни зони пораждат инциденти.
- Не работете с електроинструменти в експлозивна атмосфера, като например в присъствието на запалими течности, газ или прах. Електрическият инструмент създава искра, която може да възпламени праха или изпаренията.
- Дръжте на разстояние децата и страничните лица, докато работите с електрически инструмент. Разсейването може да причини загуба на контрол.

ЛИЧНА БЕЗОПАСНОСТ

- Внимавайте, гледайте какво правите и използвайте здрав разум, когато работите с електрически инструмент. Не използвайте електрически инструмент, когато сте уморени или когато сте под влияние на наркотици, алкохол или лекарства. Момент невнимание по време на работата с електрически инструмент, може да доведе до сериозно лично нараняване.
- Използвайте лични предпазни средства. **Винаги носете защита за очите.** Защитно оборудване като прахови маски, не плъзгащи се безопасно обувки, твърда каска или защита за слуха използвана при подходящи условия ще намали риска от лични наранявания.
- Предотвратете непреднамерено пускане. Уверете се, че ключът е в изключена позиция, преди да свържете към захранване и/или батерия, повдигайки или носейки инструмента. Носейки инструмента, докато пръстът ви е на спусъка или подаването на захранване на инструменти, които са с включен прекъсвач е предпоставка за инциденти.

- **Издадете всеки регулиращ ключ или гаечен ключ, преди да включите захранването.** И гаечен или друг ключ оставен закачен към въртящите се части на електрическия инструмент, може да доведе до лично нараняване.
- **Не се протягайте.** Запазете правилна стойка и баланс по всяко време. Това позволява по-добър контрол върху електрическия инструмент в непредвидени ситуации.
- **Облечете се подходящо.** Не носете отпуснати дрехи или бижута. Дръжте косата, дрехите и ръкавиците далеч от движещите се части. Отпуснати дрехи, бижута или дълга коса, могат да бъдат хванати в движещите се части.
- **Ако са предоставени устройства за сваряване на прахуловител или съоръжения за събиране, уверете се, че те са свързани и са правилно използвани.** Употребата на устройства за прах може да намали рисковете свързани с прах.
- **Не позволявайте на рутинността придобита от честата употреба на инструмента да позволи да станете небрежни и да игнорирате принципите за безопасност на инструмента.** Небрежно действие може да причини сериозно нараняване за части от секундата.

УПОТРЕБА И ГРИЖА ЗА ЕЛЕКТРИЧЕСКИЯ ИНСТРУМЕНТ

- **Не пресилвайте електрически инструмент.** Използвайте правилния електрически инструмент за вашата работа. Правилният електрически инструмент ще свърши работата по-добре и по-безопасно при капацитета за който е проектиран.
- **Не използвайте електрическия инструмент ако ключът не го включва или изключва.** Всеки електрически инструмент, който не може да бъде контролиран от ключа е опасен и трябва да бъде поправен.
- **Дръжте свободния електрически инструмент извън достъпа до деца и не позволявайте хора, които не са запознати с електрическия инструмент или тези инструкции да работят с него.** Електрическите инструменти са опасни в ръцете на необучени потребители.
- **Поддръжка на електрически инструменти и аксесоари.** Проверете за разместване или блокиране на подвижни части, счупване на части, и всякакви други условия, които могат да повлияят на работата на електрическия инструмент. При повреда ремонтирайте инструмента преди употреба. Много инциденти са причинени от лошо поддържани електрически инструменти.
- **Дръжте режещите инструменти остри и чисти.** Правилно поддържани режещи инструменти, с остри режещи ръбове е по-малко вероятно да се заклепчат и по-лесно се контролират.
- **Използвайте електрическия инструмент, аксесоарите, частите на инструмента и т.н в съответствие с тези инструкции, като вземете предвид условията на работа и вида работа, която ще бъде извършвана.** Употребата на електрическия инструмент за дейности различни от предназначението може да доведе до опасни ситуации.
- **Дръжте ръкохватките и местата за захващане сухи, чисти и без масло и грес.** Хлъзгавите ръкохватки и места за захващане не позволяват безопасно боравене и контролиране на инструмента при неочаквана ситуация.
- **Дръжте кабелите далеч от работната зона на инструмента.** По време на работа кабелите може да са скрити от погледа ви и да бъдат срязани инцидентно от инструмента.

УПОТРЕБА И ГРИЖА ЗА ИНСТРУМЕНТ С БАТЕРИЯ

- **Презареждайте само с зарядно устройство определено от производителя.** Зарядно устройство, което е подходящо за един тип акумулаторни батерии може да създаде риск от пожар, когато се използва с други акумулаторни батерии.
- **Използвайте електроинструменти само със специфично обозначени акумулаторни батерии.** Употребата на каквато и да е друга батерия може да създаде риск от нараняване или пожар.
- **Когато акумулаторните батерии не са в употреба ги дръжте на разстояние от други метални обекти, като кламери, монети, ключове, пирони, отвертки или други малки метални предмети, които могат да направят свързване между клемите.** Свързване на късо на клемите на акумулаторната батерия може да причини изгаряния или пожар.
- **При условия на злоупотреба, течност може да се отдели от акумулаторната батерия; предотвратете контакт.** Ако инцидентно възникне контакт, изплакнете с вода. Ако течност влезе в контакт с очите, допълнително потърсете медицинска помощ. Течност отделена от акумулаторната батерия може да предизвика възпаление или изгаряния.
- **Не използвайте акумулаторна батерия или инструмент, които са повредени или модифицирани.** Повредените или модифицираните батерии може да проявят непредсказуемо поведение, което да доведе до пожар, експлозия или риск от нараняване.

- **Не излагайте батерията или инструмента на огън или прекомерна температура.** Излагане на огън или температури над 100 °C може да причини експлозия.
- **Следвайте всички инструкции за зареждане и не зареждайте батерията или инструмента извън температурния обхват зададен в инструкциите.** Неправилното зареждане или зареждане извън определения температурен обхват може да повреди батерията и да повиши риска от пожар.

ОБСЛУЖВАНЕ

- **Обслужвайте вашия електрически инструмент чрез квалифициран техник, като използвате само идентични резервни части.** Това ще осигури поддържането на безопасността на електрическия инструмент.
- **Никога не поправяйте повредени акумулаторни батерии.** Ремонтът на акумулаторни батерии трябва да бъде извършван от производителя или оторизиран сервиз.

▲ ПРЕДУПРЕЖДЕНИЕ: Прочетете всички предупреждения за безопасност, инструкции, илюстрации и спецификации предоставени с този електрически инструмент. Неспазването на всички инструкции изброени долу може да доведе до токов удар, пожар и/или сериозно нараняване. Запазете всички предупреждения и инструкции за бъдеща справка.

Запазете всички предупреждения и инструкции за бъдеща справка.

ОБУЧЕНИЕ

- Прочете внимателно инструкциите. Запознайте се с управлението и правилната употреба на машината.
- Никога не позволявайте на хора или деца, които не са запознати с тези инструкции да използват уреда. Местните разпоредби могат да ограничат възрастта на оператора.
- Не забравяйте, че операторът или потребителят носи отговорност за злополуки или рискове по отношение на други хора или тяхното имущество.

ПОДГОТОВКА

- Никога не работете с машината, докато в близост има хора, особено деца или домашни любимци.
- Носете защита за очите и подсилени обувки по всяко време докато работите с машината.
- Разстоянието между машината и околните хора трябва да бъде минимум 15 м.
- Не използвайте никога машината, когато операторът е уморен, болен или под влияние на алкохол или други упойващи средства.

РАБОТА

- Използвайте машината единствено на дневна светлина или при добра изкуствена светлина.
- Никога не работете с машината с повредени предпазители или екрани или без поставени предпазители или екрани.
- Включете мотора само, когато ръцете и краката са далеч от режещите средства.
- **Винаги разединявайте машината от електрическото захранване (примерно махнете акумулаторната батерия).**
 - когато оставяте машината без надзор;
 - преди почистване на задръстване;
 - преди проверка, почистване и работа по машината.
 - след удране на чужд предмет;
 - когато машината започне да вибира неестествено.
- **Вземете предпазни мерки против контузии по краката и ръцете от средствата за рязане.**
- **Винаги бъдете сигурни, че вентилационните отвори са запазени чисти от отпадъци.**

ПОДДРЪЖКА И СЪХРАНЕНИЕ

- **Разединете машината от електрическото захранване (примерно извадете батерията), преди да извършите работа по поддръжка или почистване.**
- Използвайте единствено препоръчани от производителя резервни части и аксесоари.
- Проверявайте и поддържайте машината редовно. Ремонтирайте машината единствено в оторизиран сервиз.
- Когато не е в употреба, съхранете машината извън достъпа на деца.

ДРУГИ ПРЕДУПРЕЖДЕНИЯ ЗА БЕЗОПАСНОСТ

- **Избягвайте опасни среди**– не използвайте ел. уреди във влажни или мокри места.
- **Дръжте предпазители по местата им в работно състояние.**
- **Дръжте ръцете и краката далеч от зоната на рязане.**
- **За да намалите риска от нараняване, никога не работете на стълба или на някаква друга несигурна упора. Никога не дръжте режещия блок над нивото на талията.**
- **Проверявайте режещия блок на чести кратки интервали по време на работа или незабавно, ако има забележима промяна в поведението при рязане.**

- За най-добри резултати, вашата батерия трябва да се зарежда на места, където температурата е по-висока от 5° C и по-ниска от 40° C. Не я съхранявайте на открито или в превозни средства.
- Ако бъдете приближен от човек, спрете мотора и режещия блок.
- Предупредете оператора за опасност от тласкане на ножа (използвайте само с нож с 3 зъба).
 - Тласкане на ножа може да се получи, когато въртящият се нож, влезе в контакт с предмет, който не може да отреже незабавно.
 - Тласкането на ножа може да бъде достатъчно силно за да причини уредът и/или операторът да бъдат изхвърлени на всяка посока и вероятно да се загуби контрол върху уреда.
 - Тласкането на ножа може да се случи без предупреждение, ако ножът се блъсне, заседне или се заклещи.
 - Тласкането на ножа е по вероятно да се случи в зона, където е трудно да видите рязания материал.
- Не закачайте нож на уред, без правилно монтиране на всички необходими части. Неспазването за употреба на правилни части, може да причини излитане на ножа и сериозно да нарани оператора и/или околното стоящите. Изхвърлете от употреба ножове, които са огнати, деформирани, напукани, счупени или повредени по друг начин. Използвайте остър нож. Един тъп нож е по-склонен към засядане или тласкане (използвайте само нож с 3 зъба).
- Движец се по инерция нож/корда, може да причини нараняване, тъй като продължава да се върти след като моторът е спрял или спусъкът е освободен. Упражнявайте правилен контрол, докато ножът/ кордата напълно спре да се върти.
- Използвайте само с акумулаторни батерии и зарядни устройства изброени на фиг. А.
- Инструментите с батерия не трябва да бъдат закачени към електрически контакт, поради това те винаги са в работно състояние. Бъдете подготвени за възможни опасности, дори когато инструментът не работи. Бъдете внимателни, когато извършвате поддръжка или обслужване.
- Не измивайте с маркуч, избягвайте попадане на вода в мотора и електрическите връзки.
- Ако настъпят събития, които не са засегнати в това ръководство, бъдете предпазливи и използвайте добра преценка. Свържете се с сервисния потребителски център на EGO за помощ.

СПЕЦИФИКАЦИИ

Напрежение	56 V	
Скорост без натоварване	4000-5800 /мин	
Механизъм за рязане	Ударна глава	
Вид режеща корда	2,4 м найлонова усукана корда	
Ширина на рязане	38 см	
Препоръчителна работна температура	0°C-40°C	
Препоръчителна температура на съхранение	-20°C-70°C	
Тегло (без акумулаторна батерия)	3,2 кг	
Измерено ниво на сила на звука L_{WA}	92,6 дБ(A) K=0,8 дБ(A)	
Ниво на звуково налягане при ухото на оператора L_{PA}	72,6 дБ(A) K=2,5 дБ(A)	
Гарантирано ниво на сила на звука L_{WA} (съгласно 2000/14/EC)	93 дБ(A)	
Вибрации при v_n	Предната спомагателна ръкохватка	3,5 м/сек ² K = 1,5 м/сек ²
	Задна ръкохватка	2,1 м/сек ² K = 1,5 м/сек ²

- Декларираният общ размер на вибрации е измерен в съответствие със стандартния метод за тест и може да бъде използван за сравнение между два инструмента;
- Декларираният общ размер на вибрации може също така да бъде използван за предварителна оценка на влиянието.

БЕЛЕЖКА: Вибрационните емисии по време на действителната употреба на електрическия инструмент може да се различава от декларираната стойност. С цел да се защити оператора, потребителят трябва да носи ръкавици и антифони в действителни условия на работа.

ЗАПАЗЕТЕ ТЕЗИ ИНСТРУКЦИИ!

ОПАКОВЪЧЕН ЛИСТ

ИМЕ НА ЧАСТ	БРОЙ
Линейен тример	1
Предпазител	1
Предната спомагателна ръкохватка	1
Ремък за рамо	1
Ключ шестограм	1
Ръководство на оператора	1
Режеща корда	1

ОПИСАНИЕ

ЗАПОЗНАЙТЕ СЕ С ВАШИЯ КОРДОВ ТРИМЕР

(Фиг. А)

1. Задна ръкохватка
2. Превключвателен спусък
3. Бутон за отключване
4. Регулируема предна спомагателна ръкохватка
5. Ремък за рамо
6. Вал
7. Предпазител
8. Бутон за освобождаване на батерията
9. Резе
10. Електрически контакти
11. Механизъм за изваждане
12. Тримерна глава (ударна глава)
13. Бутон за зареждане на корда
14. Режеща корда
15. Бутон за освобождаване
16. Режещ нож за кордата
17. Ключ шестограм

МОНТАЖ

⚠ ПРЕДУПРЕЖДЕНИЕ: Ако някои от частите са повредени или липсват, не работете с този продукт, докато частите не се подменят. Използването на този продукт с повредени или липсващи части може да доведе до сериозно лично нараняване.

⚠ ПРЕДУПРЕЖДЕНИЕ: Не се опитвайте да модифицирате този продукт или да създадете аксесоари, които не се препоръчват за употреба с този кордов тример. Всяка такава промяна или модификация е злоупотреба и може да доведе до опасни условия с последици от възможни сериозни наранявания.

⚠ ПРЕДУПРЕЖДЕНИЕ: За да предотвратите случайно стартиране, което може да причини сериозно нараняване винаги изваждайте акумулаторната батерия от инструмента, когато сглобявате частите.

МОНТАЖ НА ПРЕДПАЗИТЕЛЯ

⚠ ПРЕДУПРЕЖДЕНИЕ: Винаги носете ръкавици, когато монтирате или подмените предпазителя. Пазете се от ножа на предпазителя и защитете вашата ръка от нарязване.

⚠ ПРЕДУПРЕЖДЕНИЕ: Никога не работете с инструмента без предпазителят да е здраво на мястото си. Предпазителят трябва винаги да е на инструмента за да предпазва потребителя! Когато предпазителят е фиксиран, никога не се опитвайте да извадите или да регулирате предпазителя, ако е необходима подмяна, трябва да бъде извършена от квалифициран сервизен техник!

Подравнете двата болта, които са предварително монтирани към предпазителя, с двата отвора за болтове във вала (Фиг. В) и след това ги затегнете с предоставения ключ шестограм (Фиг. С)

Уверете се, че предпазителят е закрепен съгласно фиг. В и С, всяко закрепване на обратно ще причини голяма опасност!

МОНТИРАНЕ И РЕГУЛИРАНЕ НА ПРЕДНАТА СПОМАГАТЕЛНА РЪКОХВАТКА

Избугайте предната спомагателна ръкохватка в щангата (фиг. Е), след това поставете затягащия блок в отвора на ръкохватката (фиг. F), монтирайте фиксиращия прът ги затегнете с крилчатата гайка (фиг. G). Последователността е както показва фиг. D. Накрая регулирайте предната спомагателна ръкохватка между мекия ръкав и етикета, за да сте сигурни, че вашата предна ръка е права, когато използвате тримера (фиг. H) и след това заключете рамото на фиксиращия прът (фиг. I).

За описание на частите на Фиг. F и G вижте долу:

D-1	Предна спомагателна ръкохватка	D-4	Крилчатата гайка
D-2	Фиксиращ прът	H-1	Мек ръкав
D-3	Затягащ блок	H-2	Етикет с предупреждения

БЕЛЕЖКА: Горната спомагателна ръкохватка трябва да бъде завъртяна нагоре за да сочи към върха на задната ръкохватка.

⚠ ПРЕДУПРЕЖДЕНИЕ: Закрепете предната спомагателна ръкохватка единствено между мекия ръкав и етикета на щангата.

⚠ ПРЕДУПРЕЖДЕНИЕ: Инструментът не може да бъде използван без сигурно затегната предна спомагателна ръкохватка.

МОНТИРАНЕ НА РЕМЪКА ЗА РАМО

1. Разхлабете и извадете болта от куката на ремъка (Фиг. J1 и J2).
2. Закрепете куката на щангата, както показва фиг. J3 и я закрепете с болтове (фиг. J4).

⚠ ПРЕДУПРЕЖДЕНИЕ: Закрепете куката на ремъка единствено между корпуса и мекия ръкав на щангата.

ЕКСПЛОАТАЦИЯ

⚠ ПРЕДУПРЕЖДЕНИЕ: Не позволявайте рутината с този продукт да ви направи непредпазливи. Запомнете, че невнимание за малка част от секундата е достатъчна за да нанесе сериозно нараняване.

⚠ ПРЕДУПРЕЖДЕНИЕ: Винаги носете стандартни предпазни очила или предпазни очила със странична защита, заедно със защита за слуха. Ако не го направите може да доведе до изхвърляне на предмети към очите ви и други възможни сериозни наранявания.

⚠ ПРЕДУПРЕЖДЕНИЕ: Не използвайте други приставки или аксесоари, които не са препоръчани от производителя на този продукт. Употребата на приставки или аксесоари, които не са препоръчани, може да доведе до сериозно нараняване.

⚠ ПРЕДУПРЕЖДЕНИЕ: За да предотвратите сериозно нараняване, извадете акумулаторната батерия от инструмента, преди обслужване, почистване, смяна на приставките или изваждане на материал от устройството.

Може да използвате този продукт за целите описани долу:

Подкастриане: използва се за да се премахне тревата и плевелите до стени, огради, дървета и лехи.

Рязане: използва се за рязане на трева, която е трудно достъпна използвайки нормална косачка.

БЕЛЕЖКА: Инструментът трябва да бъде използван само за предназначенията цели. Всяка друга употреба, примерно подрязване на ръбове се смята за случай на злоупотреба.

МОНТИРАНЕ/ИЗВАЖДАНЕ НА АКУМУЛАТОРНАТА БАТЕРИЯ

БЕЛЕЖКА: За по-добър баланс, когато използвате батерии ВА3360/ВА4200/ВА4200Т/ВА5600Т, моля, работете със сбруята за раницата (ВН1000).

Заредете напълно преди първата употреба.

за да закрепите

Подравнете ребрата на акумулаторната батерия с монтажните жлебове и натиснете батерията надолу, докато чуете "щракване" (Фиг. К2).

за да извадите

Натиснете бутона за освобождаване на батерията и издърпайте акумулаторната батерия навън, както е показано на фиг. L.

Фиг.К1 и К2 - за описание на части виж по-долу:

К-1	Акумулаторна батерия ВА3360/ ВА4200/ ВА4200Т/ ВА5600Т	К-4	Резе
К-2	Адаптер	К-5	Монтажен прорез за батерията
К-3	Сбруя за раницата		

ХВАЩАНЕ НА КОРДОВИЯ ТРИМЕР

⚠ ПРЕДУПРЕЖДЕНИЕ: Облечете се правилно за да намалите риска от нараняване, когато работите с този инструмент. Не носете отпуснати дрехи или бижута. Носете защита за очите и защита за очите/слуха. Носете , дълги панталони, ботуши и ръкавици за тежка употреба. Не носете къси панталони или сандали или не ходете бос.

Преди започване на работа дръжте тримера с двете си ръце, една ръка на задната ръкохватка и друга, която трябва да бъде права на предната спомагателна ръкохватка (фиг. М). След това проверете баланса на краката си и подходящата дистанция за рязане.

БЕЛЕЖКА: Главата на тримера е успоредна на земята на правилно разстояние за рязане, без операторът да се привежда.

СТАРТИРАНЕ/СПИРАНЕ НА КОРДОВИЯ ТРИМЕР

За да стартирате

Натиснете и задръжте бутона за отключване и след това натиснете спусъка. Различен натиск върху спусъка води до различна скорост на въртене на режещата корда. Повече натиска, по-висока скорост.

За да спрете

Освободете бутона за отключване и спусъка.

БЕЛЕЖКА: Моторът се движи единствено, когато бутонът за отключване и спусъка са натиснати заедно.

▲ ПРЕДУПРЕЖДЕНИЕ: Винаги изваждайте акумулаторната батерия от тримера по време на работни прекъсвания и след завършване на работата.

ИЗПОЛЗВАНЕ НА КОРДОВИЯ ТРИМЕР

▲ ПРЕДУПРЕЖДЕНИЕ: За да избегнете сериозно нараняване, носете предпазни очила по всяко време, когато работите с този уред. Носете маска за лицето или прахова маска при запрашени места.

Почистете зоната, която трябва да бъде подрязана преди всяка употреба. Почистете всички обекти, като камъни, счупени стъкла, пирони, кабели или въжета, които могат да бъдат изхвърлени или да се оплетат в приставката за рязане. Изчистете зоната от деца, околни хора или домашни любимци. Като минимум дръжте всички деца, околни хора и домашни любимци минимум на 15 м разстояние, въпреки това пак може да съществува риск за околните от изхвърлени обекти. Околните наблюдатели трябва да бъдат насърчени да носят защита за очите. Ако бъдете приближен от човек спрете незабавно мотора и приставката за рязане.

Преди всяка употреба проверявайте за повредени/износени части

Проверете ударната глава, предпазителя и предната спомагателна ръкохватка и подменете всички части, които са напукани, деформирани, изкривени или повредени по някакъв начин.

Режещият нож за кордата на ръба на предпазителя може да се изгъпи в течение на времето. Препоръчва се периодично да го заточвате с пила или да го подмените с нов нож.

▲ ПРЕДУПРЕЖДЕНИЕ: Винаги носете ръкавици, когато монтирате предпазителя или обслужвате ножа. Пазете се от ножа на предпазителя и защитете вашата ръка от нарязване.

След всяка употреба почистете тримера.

▲ ВНИМАНИЕ: Запушвания на вентилационните отвори ще предотвратят навлизане на въздух във корпуса на мотора и ще доведат до прегряване или повреда на мотора.

Използвайте единствено мек сапун и влажна кърпа за да почистите инструмента. Никога не позволявайте каквато и да е течност да навлезе вътре в инструмента, никогата не потапяйте някоя част от инструмента във вода.

- По всяко време пазете вентилационните отвори в корпуса на мотора от отпадъци.

▲ ПРЕДУПРЕЖДЕНИЕ: Никога не използвайте вода за почистване на тримера. Избягвайте употребата на разтворители, когато почиствате пластмасовите части. Повечето пластмаси са податливи на повреди от различни видове разтворители, предлагани в търговската мрежа. Използвайте чист плат, за премахване на мръсотия, прах, масло и т.н.

Съвети за най-добри резултати от подрязването (Фиг. N)

- Правилният ъгъл за приставката за рязане е паралелен на земята.
- Не насилвайте тримера. Позволете на самия край на кордата да извърши рязането (особено по протежение на стени). Рязане с повече от върха ще намали ефективността на рязане и може да претовари двигателя.
- Височината на рязане се определя от разстоянието от режещата корда до повърхността на ливадата.
- Трева над 20 см трябва да бъде рязана постепенно отгоре надолу на малки стъпки за предотвратяване на преждевременно износване на кордата или претоварване на двигателя.
- Движете бавно тримера навътре и навън от зоната на рязане, като поддържате позицията на режещата глава на желаната височина на рязане. Това движение може да бъде напред-назад или странично. Рязането на по-къси дължини води до по-добри резултати.
- Подрязвайте само, когато тревата и плевелите са сухи.

- Огради от тел и колчета могат да причинят допълнително износване и скъсване на кордата. Камъни и тухлени стени, бордюри и дървета могат да причинят бързо износване на кордата.
- Избягвайте дървета и храсти. Кората на дърветата, израстъците от дърветата, бордюрите и оградните стълбове лесно могат да бъдат повредени от кордата.

Фиг. N описание на части виж по-долу:

N-1	Най-добра зона на рязане	N-2	Опасна зона на рязане
-----	--------------------------	-----	-----------------------

РЕГУЛИРАНЕ НА ДЪЛЖИНАТА НА РЕЖЕЩАТА КОРДА

Главата на тримера позволява на оператора да отпусне повече режеща корда без да спира мотора. Когато кордата стане разкъсана или износена, може да бъде отпусната допълнителна корда чрез леко потупване в земята на фиксатора на макарата (Фиг. O).

БЕЛЕЖКА: Освобождаването на корда ще стане по трудно, с намаляването на кордата.

⚠ ПРЕДУПРЕЖДЕНИЕ: Не премахвайте или променяйте устройството на режещия нож за кордата. Прекалената дължина на кордата ще причини прегряване на мотора и може да доведе до сериозно нараняване.

ПОДМЯНА НА КОРДАТА

БЕЛЕЖКА: Винаги използвайте препоръчителната найлонова режеща корда, с диаметър не надвишаващ 2.4 мм. Използване на корда различна от посочената може да причини прегряване или повреда на тримера.

⚠ ПРЕДУПРЕЖДЕНИЕ: Никога не използвайте метално подсилена корда, жица или въже и др. Те могат да се счупят и да станат опасни летящи предмети.

Кордовият тример е оборудван с усъвършенствана система за автоматично навиване на кордата. Режещата корда може да бъде навита на макарата с просто натискане на единичен бутон. Зареддането на пълна макара обикновено може да се извърши за 12 секунди. Избягвайте повтаряща се работа на системата за навиване в бърза последователност, за да намалите вероятността от повреда на двигателя.

1. Премахнете акумулаторната батерия.
2. Премахнете оставащата корда за рязане ако е необходимо. Просто я издърпайте с ръка.

3. Отрежете парче режеща корда (4 м). Вкарайте кордата в ухото (Фиг. P) и избутайте кордата, докато краят излезе от противоположното ухо.

Фиг. P описание на части виж по-долу:

P-1	Режеща корда	P-3	Ухо
P-2	Долен капак		

4. Отстранете батерията, ако тя е била монтирана към кордовия тример в предходната стъпка.
5. Дръпнете кордата от другата страна, докато еднакви дължини корда се появят от двете страни на тримерната глава (Фиг. Q).
6. Инсталирайте акумулаторната батерия към кордовия тример. Натиснете и задръжте бутона за зареждане на корда, за да стартирате двигателя за навиване на кордата. Кордата ще бъде навита в тримерната глава непрекъснато (Фиг. R).
7. Наблюдавайте внимателно оставащата дължина на кордата. Подгответе се да освободите бутона, когато около 18 см корда останат от всяка страна. Бързо натиснете бутона за зареждане на корда, за да регулирате дължината, докато 14 см корда се покажат от всяка страна.
8. Натиснете тримерната глава, докато издърпвате кордата за да я придвижите ръчно напред и да проверите за правилно монтиране на режещата корда.

БЕЛЕЖКА: В случай, че кордата е издърпана в тримерната глава поради инцидент, отворете главата и издърпайте режещата корда от макарата. Следвайте раздел "ПРЕЗАРЕЖДАНЕ НА РЕЖЕЩАТА КОРДА" в това ръководство, за да презаредите кордата.

ПРЕЗАРЕЖДАНЕ НА РЕЖЕЩАТА КОРДА

Когато режещата корда се откъсне от изхода за кордата или кордата за рязане не се освобождава, когато потупвате главата на тримера, следвайте долните стъпки, за да отстраните оставащата режеща корда и да презаредите кордата.

1. Натиснете двете пластини за освобождаване на тримерната глава и отстранете тримерната глава, като я издърпате право навън (Фиг. S-1 и S-2).
2. Отстранете режещата корда от тримерната глава и вмъкнете пружината в прореза във възела на долния капак (Фиг. T).

- С едната си ръка дръжте тримера, използвайте другата си ръка да хванете долния капак и подравнете прорезите и долния капак с пластините за освобождаване. Натиснете долния капак докато се фиксира на място, при което ще чуете характерен щракващ звук (Фиг. U).
- Следвайте инструкциите в "ПОДМЯНА НА КОРДАТА", за да презаредите режещата корда.
Фиг. S1, T и U описание на детайли виж по-долу:

S1-1	Възел на долния капак	U-1	Пластина за освобождаване
S1-2	Пластина за освобождаване	U-2	Прорез
T-1	Пружина		

ПОДМЯНА НА ТРИМЕРНАТА ГЛАВА

ПРЕДУПРЕЖДЕНИЕ: Подменете незабавно, ако главата се разхлаби след като сте я закрепили в позиция. Никога не използвайте тримера с разхлабени приставки за рязане. Подменете незабавно напукана, повредена или износена режеща глава, дори ако щетите са ограничени до повърхностни пукнатини. Подобни приставки могат да се пръснат при високи скорости и да причинят сериозно нараняване.

Демонтиране на тримерната глава

- Извадете акумулаторната батерия от кордовия тример.
- Натиснете пластините за освобождаване на тримерната глава и снемете долния капак, като го издърпате право навън

(виж Фиг. S1 и S2).

- Отстранете режещата корда от тримерната глава (Фиг. V).
- Извадете пружината от възела на макарата, ако е необходимо. Запазете я за повторния монтаж.
- Носете ръкавици. Използвайте едната си ръка, за да хванете възела на макарата, за да я стабилизирате и използвайте другата си ръка, за да държите ударния ключ, за да разхлабите гайката в посока обратна на часовниковата стрелка (Фиг. W).
- Отстранете гайката, шайбата, възела на макарата и горния капак от вала на двигателя (Фиг. X).
- Използвайте клещи за зегерови пръстени, за да отстраните зегеревия пръстен. Демонтирайте възела на вентилатора (Фиг. Y).

- Заменете с нова тримерна глава и я монтирайте съгласно следните стъпки.

Фиг. W, X и Y описание на части виж по-долу:

W-1	Ударен ключ	X-4	Гайка
X-1	Горен капак	Y-1	Възел на вентилатора
X-2	Възел на макарата	Y-2	Зегеров пръстен
X-3	Шайба		

Инсталиране на новата тримерна глава

- Подравнете шпонковия канал във възела на вентилатора с шпонката във вала на двигателя и монтирайте възела на вентилатора на място (Фиг. Z).
- Монтирайте зегеревия пръстен, горния капак, възела на макарата и шайбата в тази последователност. Използвайте ударен гаечен ключ, за да затегнете гайката.
- Следвайте инструкциите в раздела "ПРЕЗАРЕЖДАНЕ НА РЕЖЕЩАТА КОРДА" в това ръководство, за да монтирате възела на долния капак.
- Следвайте инструкциите в раздела "ПОДМЯНА НА КОРДАТА" в това ръководство, за да презаредите режещата корда.
- Стартирайте инструмента, за да видите дали кордовия тример работи нормално. Ако не, слобете го отново по описания по-горе начин.

Фиг. Z описание на части виж по-долу:

Z-1	Шпонка	Z-2	Шпонков канал
-----	--------	-----	---------------

ПОДДРЪЖКА

▲ ПРЕДУПРЕЖДЕНИЕ: Когато обслужвате, използвайте само идентични резервни части.

Проверявайте и поддържайте машината редовно. За да осигурите безопасността и надеждността, всички поправки трябва да се извършват от квалифициран сервизен техник.

▲ ПРЕДУПРЕЖДЕНИЕ: Инструментите с батерия не трябва да бъдат закачени към електрически контакт, поради това те винаги са в работно състояние. За да предотвратите сериозно нараняване вземете допълнителни предпазни мерки и грижи, когато извършвате поддръжка, обслужване или при смяна на режещите или други приставки.

⚠ ПРЕДУПРЕЖДЕНИЕ: За да предотвратите сериозно нараняване, извадете акумулаторната батерия от инструмента, преди обслужване, почистване, смяна на приставките или изваждане на материал от устройството.

ПОЧИСТВАНЕ НА УРЕДА

- Почистете уреда използвайки влажна кърпа и мек почистващ препарат.
- Не използвайте силен почистващ препарат по пластмасата на корпуса или ръкохватката. Те могат да бъдат повредени от определени ароматни масла като бор и лимон и от разтворители като керосин. Влагата също може да причини токов удар. Избършете всякаква влага със суха мека кърпа.
- Използвайте малка четка или изпусканата въздушна струя от малка четка на прахосмукачка за да почистите, вентилационните отвори в задната страна на корпуса.

ЗАТОЧВАНЕ НА РЕЖЕЩИЯ НОЖ ЗА КОРДАТА

⚠ ПРЕДУПРЕЖДЕНИЕ: Винаги защитавайте ръцете си, като носите ръкавици за тежка употреба, когато извършвате поддръжка на режещия нож за кордата.

1. Демонтирайте режещия нож за кордата от предпазителя.
2. Носете подходяща защита за очите и ръкавици и внимавайте да не се порежете.
3. Затегнете ножа в менгеме.
4. Внимателно заточете режещите ръбове на ножа с фина пила или точило като запазите първоначалния ъгъл на режещия ръб
5. Поставете отново ножа в предпазителя и го затегнете на място с двата винта.

СЪХРАНЯВАНЕ НА УРЕДА

- Извадете акумулаторната батерия от кордовия тример, когато не е в употреба.
- Почистете изцяло инструмента преди да го съхраните.
- Съхранете уреда в сухо място с добра вентилация, заключен или съхраняван на високо извън достъпа на деца. Не съхранявайте уреда в близост или върху тор, бензин или други химикали.

Опазване на околната среда



Не изхвърляйте електрическо оборудване, зарядно устройство за акумулаторни батерии и батерии/ акумулаторни батерии в домакинския отпадък.

Съгласно европейския закон 2012/19/ЕС, електрическо и електронно оборудване, което повече не може да се използва и съгласно европейското законодателство 2006/66/ЕО, дефектните или използваните акумулаторни батерии/ батерии трябва да се събират отделно. Ако се изхвърлят електрически уреди в сметища или буница, опасни вещества могат да изтекат в подпочвените води и да попаднат в хранителната верига, като увредят вашето здраве и благосъстояние.

ОТСТРАНЯВАНЕ НА НЕИЗПРАВНОСТИ

ПРОБЛЕМ	ПРИЧИНА	РЕШЕНИЕ
Кордовият тример не може да стартира.	<ul style="list-style-type: none"> ■ Аккумуляторната батерия не е прикрепена към кордовия тример. ■ Няма електрически контакт между тримера и батерията. ■ Аккумуляторната батерия е изтощена. ■ Бутонът за отключване и спусъкът не са натиснати едновременно. 	<ul style="list-style-type: none"> ■ Закрепете аккумуляторната батерия към кордовия тример. ■ Извадете батерията, проверете контактите и поставете наново аккумуляторната батерия. ■ Сменете аккумуляторната батерия. ■ Натиснете и задръжте бутона за отключване и след това натиснете спусъка за да включите тримера.
Кордовият тример спира по време на рязане.	<ul style="list-style-type: none"> ■ Предпазителят не е монтиран на тримера, което води до прекалено дълга режеща корда и прегряване на мотора. ■ Използвана е тежка корда за рязане. ■ Валът на мотора и тримерната глава са обвити в трева. ■ Моторът е претоварен. ■ Аккумуляторната батерия или кордовият тример са твърде горещи. ■ Аккумуляторната батерия е разединена от инструмента. ■ Аккумуляторната батерия е изтощена. 	<ul style="list-style-type: none"> ■ Извадете аккумуляторната батерия и монтирайте предпазителя на тримера. ■ Използвайте препоръчана найлонова режеща корда с диаметър не по-голям от 2,4 мм. ■ Спрете тримера, извадете батерията и извадете тревата от вала на мотора и тримерната глава. ■ Извадете тримерната глава от тревата. Моторът ще се възстанови за работа веднага след като товарът бъде отстранен. Когато режете изваждайте и вкарвайте тримерната глава в тревата, която трябва да бъде отрязана и отстранявайте не повече от 20 см дължина на единично рязане. ■ Позволете на аккумуляторната батерия или тримера да се охлади, докато температурата спадне под 67°C. ■ Монтирайте отново аккумуляторната батерия. ■ Сменете аккумуляторната батерия.

ПРОБЛЕМ	ПРИЧИНА	РЕШЕНИЕ
Главата на тримера не издърпва кордата	<ul style="list-style-type: none"> ■ Вальт на мотора и тримерната глава са обвити в трева. ■ Няма достатъчно корда на макарата. ■ Главата на тримера е замърсена. ■ Кордата е оплетена във фиксатора на макарата. ■ Кордата е твърде къса. 	<ul style="list-style-type: none"> ■ Спрете тримера, извадете батерията и извадете тревата от вала на мотора и тримерната глава. ■ Отстранете батерията и подменете кордата за рязане, следвайте раздел "ПОДМЯНА НА КОРДАТА" в това ръководство. ■ Отстранете батерията и почистете фиксатора на макарата и основа на макарата. ■ Извадете батерията, извадете кордата от фиксатора и превъртете, следвайте раздел "ПОДМЯНА НА КОРДАТА" в това ръководство. ■ Извадете батерията и издърпайте кордите, като последователно натиснете и освободите главата на тримера
Тревата обгръща главата на тримера и корпуса на мотора.	<ul style="list-style-type: none"> ■ Рязане на висока трева при нивото на земята. 	<ul style="list-style-type: none"> ■ Режете висока трева от горе на долу, като не отстранявате повече от 20 см при всяко преминаване за да предотвратите увиване.
Ножът не реже кордата.	<ul style="list-style-type: none"> ■ ТРЕЖЕЩИЯТ нож за кордата на ръба на предпазителя се е затъпил. 	<ul style="list-style-type: none"> ■ Заточете режещия нож за кордата с пила или го подменете с нов.
Пукнатини по главата на тримера или фиксаторът на макарата се е разхлабил от основата на макарата.	<ul style="list-style-type: none"> ■ Главата на тримера е износена. 	<ul style="list-style-type: none"> ■ Осигурете незабавна смяна на главата на тримера от квалифициран сервизен техник.
По време на подмяна на кордата, кордата не може да бъде заредена правилно в главата на тримера.	<ul style="list-style-type: none"> ■ ЗАРЕДЕНИТЕ корди на фиксатора на макарата не са изравнени с ушите в основата на макарата. ■ Кордата не е правилно вкарана в монтажния отвор в ухото. 	<ul style="list-style-type: none"> ■ Завъртете фиксатора на макарата в посоката посочена със стрелка, за да изравните ЗАРЕДЕНАТА корда на фиксатора на макарата с ушите в основата на макарата. ■ Първо подравнете ЗАРЕДЕНИТЕ корди с ушите, след това вкарайте кордата в монтажния отвор, който се намира в ухото.

ГАРАНЦИЯ

BG

ГАРАНЦИОННА ПОЛИТИКА EGO

Моля посетете уебсайта egopowerplus.com за пълните условия по гаранционната политика на EGO.

PROČITAJTE UPUTE U CIJELOSTI!



PROČITAJTE KORISNIČKI PRIRUČNIK

⚠️ Preostale opasnosti! Osobe s elektroničkim uređajima poput srčanih elektrostimulatora prije korištenja ovog proizvoda trebaju se posavjetovati sa svojim liječnikom. Rad električne opreme u neposrednoj blizini srčanih elektrostimulatora može prouzročiti smetnju ili kvar srčanog elektrostimulatora.

⚠️ UPOZORENJE! Radi osiguranja sigurnosti i pouzdanosti sve popravke i zamjene treba obavljati kvalificirani servisni tehničar.

SIGURNOSNI SIMBOLI

Svrha sigurnosnih simbola je skretanje pozornosti na moguće opasnosti. Sigurnosni simboli i njihova objašnjenja zahtijevaju vašu potpunu pozornost i razumijevanje. Sami simboli upozorenja ne isključuju opasnost. Upute i upozorenja koja pružaju nisu zamjena za propisne mjere za prevenciju nesreća.

⚠️ UPOZORENJE! Prije korištenja ovog alata pobrinite se da sve upute u ovom korisničkom priručniku, uključujući sve sigurnosne simbole kao što su "OPASNOST", "UPOZORENJE" i "OPREZ" pročitate s razumijevanjem. Zanimarivanje svih uputa navedenih u nastavku može rezultirati strujnim udarom, požarom i/ili teškim tjelesnim ozljedama.

ZNAČENJE SIMBOLA

⚠️ SIGURNOSNI SIMBOL: ukazuje na OPASNOST, UPOZORENJE ILI OPREZ. Može se koristiti u kombinaciji s drugim simbolima ili piktogramima.

SIGURNOSNE UPUTE

Na ovoj stranici slikovno su prikazani i objašnjeni sigurnosni simboli koji se mogu pojaviti na ovom proizvodu. Prije pokušaja sastavljanja i rukovanja s razumijevanjem pročitate sve upute na stroju i pridržavajte ih se.

	Simbol upozorenja	Označava potencijalnu opasnost od osobnih ozljeda.
	Pročitajte korisnički priručnik.	Radi smanjenja opasnosti od ozljeda, prije korištenja ovog proizvoda korisnik treba s razumijevanjem pročitati ovaj korisnički priručnik.
	Nosite zaštitu za oči.	Kada rukujete ovim proizvodom, uvijek nosite zatvorene zaštitne naočale ili zaštitne naočale s bočnim štitičima i štitičar za cijelo lice.
	Nosite zaštitu za sluh.	Radi zaštite sluha uvijek nosite zvučne barijere (čepovi za uši ili štitičnici za uši).
	Širina rezanja	Maks. širina rezanja šišača trave s reznom niti
	Promjer rezne niti	Promjer najlonske rezne žinje
	Nosite zaštitu za glavu.	Radi zaštite glave nosite odobrenu sigurnosnu kacigu.
	Nosite zaštitne rukavice.	Kada rukujete nožem ili štitičnikom noža zaštitite ruke rukavicama. Neklizajuće rukavice za teške radne uvjete poboljšavaju zahvat i štite ruke.
	Nosite sigurnosnu obuću.	Kada koristite ovu opremu nosite neklizajuću sigurnosnu obuću.
	Čuvajte se povratnog udara noža.	Upozorite rukovatelja na opasnost od povratnog udara noža.
	Udaljite i zadržite promatrače podalje	Odbačeni predmeti mogu odskočiti i rezultirati tjelesnim ozljedama ili materijalnom štetom. Pobrinite se da druge osobe i kućni ljubimci ostanu podalje od obrezaivača grmlja kada je u uporabi.

	Promatrače držite na udaljenosti.	Pobrnite se da druge osobe i kućni ljubimci ostanu najmanje 15 m udaljeni od šišača trave s reznom niti kada je u uporabi.
	Ne koristite okrugle noževe.	Ne postavljajte okrugle rezne noževe.
	Ne izlagati kiši	Proizvod ne koristite na kiši ili ne ostavljajte ga na otvorenom kada pada kiša.
	CE	Ovaj proizvod je u skladu s važećim smjericama EZ-a.
	WEEE	Električni otpad ne smije se odlagati s kućnim otpadom. Odnosite do ovlaštenog centra za recikliranje.
	Buka	Zajamčena razina zvučne snage: Emisija buke u okruženju u skladu je s Direktivom Europske unije.
V	Volt	Napon
	Istosmjerna struja	Vrsta ili karakteristike struje
n_0	Brzina bez opterećenja	Broj okretaja u praznom hodu
min ⁻¹	U minuti	Okretaji u minuti

OPĆA UPOZORENJA O SIGURNOSTI ELEKTRIČNIH ALATA

▲ UPOZORENJE: Pročitajte sva upozorenja, upute, ilustracije u vezi sigurnosti i tehničke podatke isporučene s ovim električnim alatom. Zanemarivanje svih uputa navedenih u nastavku može rezultirati strujnim udarom, požarom i/ili teškim ozljedama.

Sva upozorenja i upute spremite za buduće potrebe.

Pojam „električni alat“ se u upozorenjima odnosi na sav alat s mrežnim napajanjem (s priključnim kabelom) ili s baterijskim napajanjem (bez priključnog kabela).

SIGURNOST RADNOG PODRUČJA

- Obespečite čistoću i osvećenost radnog mesta. Zagromoždenne i ploho osvećenne mesta služat pričinoj nesčajtnih slučajeva.
- Ne ispoljujte elektroinstrumntne vo vzwrywoopasných mestah, naprimer vblizni gorjućih židkostí, gazov ili pyli. Elektroinstrumntne generiruju iskre, kotore mogu vospalmenit' pyl' ili isparjenja.
- Ne pozvolajte detjama i postoronnim naohodit'sja vblizni rabotajućeg elektroinstrumnta. Otvlekajuće faktory mogu privesti k potere kontrolya.

OSOBNA SIGURNOST

- **Budite oprezni i koncentrirajte se na posao koji obavljate i ponašajte se razumno pri korištenju električnog alata. Nemojte raditi s električnim alatom ako ste umorni ili pod utjecajem droge, alkohola ili lijekova.** Trenutak nepažnje pri radu s električnim alatom može dovesti do ozbiljne ozljede.
- **Koristite osobnu zaštitnu opremu. Nosite zaštitu za oči.** Osobna zaštitna oprema kao što je maska protiv prašine, zaštitne cipele s potplatama protiv klizanja, zaštitna kaciga ili štitnici za sluh, koja se koristi za odgovarajuća stanja, umanjit će opasnost od ozljede.
- **Sprječite nehotično uključivanje alata. Prije nego alat povežete na izvor napajanja i/ili dio sa baterijom, podižete ili nosite alat provjerite nalazi li se prekidač u položaju “isključeno”.** Nošenje alata s prstom na sklopci ili priključivanje alata na napajanje s uključenom sklopkom pogoduje nezgodama.
- **Skinite s alata sve ključeve za podešavanje ili pritezanje prije uključivanja njegovog napajanja.** Viličasti ključ ili ključ za stezanje glave koji su ostali na rotirajućem dijelu električnog alata mogu izazvati ozljede.
- **Nemojte se pretjerano naginjati. U svakom trenutku stojte stabilno na nogama.** Na taj način ćete zadržati bolju kontrolu nad alatom u nepredviđenim situacijama.
- **Obucite se prikladno. Ne nosite široku odjeću ili nakit. Kosu, odjeću i rukavice držite dalje od pokretnih dijelova.** Pokretni dijelovi mogu zahvatiti široku odjeću, nakit ili dugu kosu.
- **Ako postoje uređaji za povezivanje s usisivačima i skupljačima prašine, provjerite jesu li dobro spojeni i koriste li se ispravno.** Uporaba uređaja za prašinu smanjuje opasnost koja nastaje nakupljanjem prašine.

- **Zbog sigurnosti koju ste stekli zbog učestale upotrebe uređaja nemojte biti opušteni i zanemariti sigurnosna načela rukovanja s alatom.** Neoprezna radnja može dovesti do teške ozljede u djeliću sekunde.

KORIŠTENJE I BRIGA O ELEKTRIČNOM ALATU

- **Nemojte preopterećivati električni alat.** Koristite alat koji odgovara poslu koji obavljate. S prikladnim električnim alatom ćete posao obaviti bolje i sigurnije i predviđenom brzinom.
- **Nemojte koristiti alat ako ga sklopkom ne možete uključiti ili isključiti.** Električni alat koji se ne može uključiti ili isključiti sklopkom opasan je i treba ga popraviti.
- **Električni alat koji ne koristite spremite izvan dohvata djece i nemojte dozvoliti da njime rade osobe koje nisu upoznate s električnim alatom ili s ovim uputama za rad s električnim alatom.** Električni alati su opasni u rukama neizvježbanih osoba.
- **Održavajte električni alat i pribor.** Provjerite da pokretni dijelovi alata nisu necentrirani ili zaglavljani, da nema polomljenih dijelova i drugih stanja koja mogu utjecati na rad električnog alata. Ako ima oštećenja, svakako ih prije korištenja otklonite. Mnoge nezgode su nastale upravo zbog slabog održavanja električnog alata.
- **Rezne alate održavajte oštirim i čistima.** Pravilno održavani rezni alati s oštrim reznim bridovima manje su skloni zaglavljivanju i njima se lakše upravlja.
- **Koristite električne alate, dodatke i nastavke u skladu s ovim uputama, uzimajući u obzir radne uvjete i vrstu rada koji će te obavljati.** Upotreba električnog alata za radove za koje on nije predviđen može dovesti do opasnih stanja.
- **Neka vam ruke i površine rukohvata budu suhe, čiste i bez ulja i masti.** Skliske ručke i površine za hvatanje ne omogućuju sigurno rukovanje i upravljanje alatom u neočekivanim situacijama.
- **Sklonite kabele iz radnog prostora alata.** Tijekom rada kabeli mogu biti skriveni od pogleda i može ih se slučajno oštetiti alatom.

KORIŠTENJE I NJEGA BATERIJSKOG ALATA

- **Punjenje obavljajte samo s punjačem kojeg je naveo proizvođač.** Punjač koji je prikladan za jedan tip baterijskog modula, može stvoriti rizik od požara ako se koristi s drugim baterijskim modulom.
- **Električni alat koristite samo s točno propisanim baterijskim modulima.** Korištenje drugih kompleta baterija može stvoriti rizik od ozljeda i požara.

- **Kada baterija nije u uporabi, držite je podalje od metalnih predmeta, kao što su spajalice, kovanice, ključevi, čavli, vijci ili bilo koji drugi metalni predmeti koji mogu uspostaviti vezu s priključkom.** Kratko spajanje baterijskih kontakata može prouzročiti opekline ili požar.
- **U slučaju pogrešne uporabe, baterija može izbaciti tekućinu; izbjegavajte kontakt. Ako slučajno dođe do doticaja, mjesta doticaja isperite vodom. Ako tekućina dođe u doticaj s očima, dodatno potražite pomoć liječnika.** Tekućina koju izbaci baterija može prouzročiti nadražaj kože ili opekline.
- **Nemojte rabiti ako je pakiranje oštećeno ili otvoreno Oštećene ili izmijenjene baterije mogu se nepredviđeno ponašati, što može dovesti do požara, eksplozije i posljedičnih ozljeda.**
- **Baterijski modul nemojte izlagati vatri i prekomjernim temperaturama.** Izlaganje utjecaju vatre i temperature iznad 100 °C može dovesti do eksplozije.
- **Slijedite sve upute za punjenje i nemojte puniti baterijski modul ili alat izvan raspona temperature navedenog u uputama.** Nepravilno punjenje ili punjenje na temperaturi izvan zadanog raspona može dovesti do oštećenja baterije i povećavanja opasnosti od nastanka požara.

SERVISIRANJE

- **Servisiranje strojnog alata prepustite kvalificiranom osobi za popravak koje koristi samo identične zamjenske dijelove.** Time će se osigurati održavanje sigurnosti strojnog alata.
- **Nemojte popravljati oštećene baterijske module.** Popravak baterijskog modula smije izvršiti samo proizvođač ili ovlašteni servisier.

⚠ UPOZORENJE: Pročitajte sva upozorenja, upute, ilustracije u vezi sigurnosti i tehničke podatke isporučene s ovim električnim alatom. Zanemarivanje svih uputa navedenih u nastavku može rezultirati strujnim udarom, požarom i/ili teškim ozljedama. Sva upozorenja i upute spremite za buduće potrebe.

Sva upozorenja i upute spremite za buduće potrebe.

OBUKA

- **Pozorno pročitajte upute.** Upoznajte se s upravljačkim elementima i propisnom uporabom stroja.
- **Osobama koje se nisu upoznale s ovim uputama i djeci nemojte dozvoliti upotrebu alata.** Lokalni propisi mogu ograničavati starosnu dob rukovatelja.
- **Imajte na umu da je rukovatelj ili korisnik odgovoran za nesreće ili opasnosti za druge osobe ili njihovu imovinu.**

PRIPREMA

- Strojem ne rukujte kada se u blizini nalaze osobe, a posebno djeca ili kućni ljubimci.
- Nosite zaštitu za oči i čvrstu obuću cijelo vrijeme dok rukujete strojem.
- Udaljenost između stroja i promatrača treba biti najmanje 15 m.
- Nemojte raditi sa strojem ako ste umorni, bolesni ili pod utjecajem alkohola ili ostalih opijata.

RAD

- Stroj koristite samo pri dnevnom svjetlu ili dobrom umjetnom osvjetljenju.
- Strojem ne rukujte ako su štitnici ili zaštitni uređaji oštećeni ili ako nisu na svom mjestu.
- Motor uključite samo kada se ruke i stopala nalaze dalje od reznih elemenata.
- Stroj odvojite od električnog napajanja (tj. uklonite baterijski modul).
 - kada stroj ostavljate bez nadzora;
 - prije uklanjanja blokade;
 - prije provjere, čišćenja ili rada sa strojem.
 - nakon udaranja o strani predmet;
 - kada stroj počne neuobičajeno vibrirati.
- Zaštitite se od ozljeda stopala i ruku od reznih elemenata.
- Pazite da ventilacijski otvori ne budu zapriječeni.

ODRŽAVANJE I SKLADIŠTENJE

- Prije obavljanja radova održavanja ili čišćenja stroj odspojite od strujnog napajanja (tj. uklonite baterijski modul).
- Koristite samo zamjenske dijelove i pribor koje je preporučio proizvođač.
- Redovito obavljajte pregled i održavanje stroja. Popravak stroja prepustite samo ovlaštenom osoblju za popravak.
- Kada ga ne koristite, stroj čuvajte izvan dohvata djece.

OSTALA SIGURNOSNA UPOZORENJA

- Izbjegavajte opasna okruženja – ne upotrebljavajte uređaje na vlažnom ili mokrom nagibu.
- Održavajte štitnike na njihovom mjestu i u radnom stanju..
- Ruke i stopala držite podalje od područja rezanja.
- Radi smanjenja opasnosti od ozljeda, nikada ne radite na ljestvama ili na nekoj drugoj nesigurnoj podlozi. Rezni priključak nikada ne držite na visini iznad struka.
- Rezni alat tijekom rada redovito provjeravajte u kratkim intervalima ili odmah ako uočite primjetnu promjenu u načinu rezanja.

- Najbolje rezultate postići ćete ako bateriju puniti na mjestu gdje je temperatura više od 5 °C i niža od 40 °C. Nemojte ju čuvati na otvorenom prostoru ili u vozilima.
- Ako vam netko priđe, zaustavite motor i rezni priključak.
- Upozorite rukovatelja da postoji opasnost od potiska noža (samo s nožem s 3 zuba).
 - Povratni udar noža može se dogoditi kada rotirajuća oštrica dođe u doticaj s predmetom kojeg ne može odmah odrezati.
 - Povratni udar noža može biti dovoljno silovit da rezultira odbacivanjem jedinice i/ili rukovatelja u bilo kojem smjeru i mogućim gubitkom kontrole nad jedinicom.
 - Povratni udar noža može se dogoditi bez upozorenja ako oštrica zapne, ako blokira ili se zaglavi.
 - Povratni udar noža prije će se dogoditi u područjima gdje je teško vidjeti materijal koji se reže.
- Ne pričvršćujte oštricu na jedinicu bez propisnog postavljanja svih potrebnih dijelova. Zanemarivanje uporabe odobrenih dijelova može rezultirati odbacivanjem noža i teškim ozljedama rukovatelja i/ili promatrača. Zbrinite noževe koji su svinuti, deformirani, napuknuti, polomljeni ili oštećeni na bilo koji način. Koristite oštru oštricu. Kod tupog noža postoji veća vjerojatnost da će se zaglaviti i doći do povratnog udara (samo kod noža s 3 zuba).
- Nož u praznom hodu može prouzročiti ozljede dok se još okreće nakon zaustavljanja motora ili otpuštanja aktivatora. Održavajte odgovarajuću kontrolu dok se nož u potpunosti ne zaustavi.
- Upotrebljavajte samo s baterijskim modulima i punjačima koji su navedeni na sl. A.
- Baterijske alate nije potrebno uključivati u električnu utičnicu, stoga su uvijek u radnom stanju. Imajte na umu moguće opasnosti čak i kada alat ne radi. Budite oprezni pri obavljanju radova održavanja ili servisiranja.
- Uređaj ne perite sa crijevom; izbjegavajte da voda dospje u motor i električne priključke
- Ako se pojave situacije koje nisu obuhvaćene ovim priručnikom, postupite oprezno i uz dobru procjenu. Za pomoć se obratite servisnom centru proizvođača EGO.

SAČUVAJTE OVE UPUTE!

TEHNIČKI PODACI

Napon	56 V	
Brzina bez opterećenja	4000-5800 o/min.	
Rezni mehanizam	Rezna glava	
Tip rezne žinje	Najlonska rezna nit 2,4 mm	
Širina rezanja	38 cm	
Preporučena radna temperatura	0 °C - 40 °C	
Preporučena temperatura skladištenja	-20 °C - 70 °C	
Masa (bez kompleta baterija)	3,2 kg	
zmjerena razina zvučne snage L_{WA}	92,6 dB(A) K=0,8 dB(A)	
Razina zvučnog tlaka na mjestu rukovatelja L_{PA}	72,6 dB(A) K=2,5 dB(A)	
Zajamčena razina zvučne snage L_{WA} (sukladno Direktivi 2000/14/EZ)	93 dB(A)	
Vibracija a_h	Prednji pomoćni rukohvat	3,5 m/s ² K=1,5 m/s ²
	Stražnji rukohvat	2,1 m/s ² K=1,5 m/s ²

- Deklarirane ukupne vrijednosti vibracija izmjerene su u skladu sa standardnom metodom ispitivanja i mogu se koristiti za usporedbu jednog alata s drugim.
- Deklarirane ukupne vrijednosti vibracija mogu se koristiti i u preliminarnoj procjeni izloženosti.

NAPOMENA: emisija vibracija tijekom aktualnog korištenja električnog alata može se razlikovati od deklarirane vrijednosti u kojoj se alat koristio; Radi zaštite rukovatelja korisnik treba nositi rukavice i štitnike za uši u aktualnim uvjetima korištenja.

POPIS ZA PAKIRANJE

NAZIV DIJELA	KOLIČINA
Šišač s reznom žinjom	1
Štitnik	1
Sklop prednjeg pomoćnog držača	1
Ramena traka	1
Inbus ključ	1
Korisnički priručnik	1
Rezna nit	1

OPIS

UPOZNAJTE SVOJ ŠIŠAČA SA ŽINJOM (sl. A)

1. Stražnji rukohvat
2. Uklopni okidač
3. Gumb za deblokadu
4. Podesivi prednji pomoćni rukohvat
5. Ramena traka
6. Držak
7. Štitnik
8. Gumb za otpuštanje baterije
9. Zapor
10. Električni kontakti
11. Mehanizam za izbacivanje
12. Glava šišača trave (rezna glava)
13. Gumb za namotavanje rezne niti
14. Rezna nit
15. Otpusni jezičac
16. Oštrica za rezanje rezne niti
17. Inbus ključ

BATERIJE

⚠ UPOZORENJE! Ako je bilo koji dio oštećen ili ako nedostaje, ne koristite ovaj proizvod dok ne zamijenite dijelove. Korištenje ovog proizvoda oštećenih dijelova ili dijelova koji nedostaju može rezultirati teškim tjelesnim ozljedama.

⚠ UPOZORENJE! Ne pokušavajte obavljati preinake na ovom proizvodu ili izradivati pribor koji nije preporučen za uporabu s ovim šišačem s reznom žinjom. Sve takve izmjene ili preinake predstavljaju nepropisnu uporabu i mogu rezultirati opasnim stanjima koja mogu dovesti do mogućih teških tjelesnih ozljeda.

UPOZORENJE! Da biste spriječili slučajno pokretanje koje bi moglo prouzročiti ozbiljne tjelesne ozljede, prilikom priključivanja priključaka uvijek uklonite bateriju iz alata.

POSTAVLJANJE ŠITNIKA

⚠ UPOZORENJE! Pri postavljanju ili zamjeni štitnika uvijek nosite rukavice. Pazite da se ne porežete na nož te zaštitite ruke od ozljeda.

⚠ UPOZORENJE! Alat nikad ne upotrebljavajte bez dobro pričvršćenog štitnika. Štitnik uvijek mora biti na alatu radi zaštite korisnika! Kad je štitnik pričvršćen, nikad ga ne pokušavajte uklanjati ili podešavati. Ako je potrebna zamjena, treba je obaviti kvalificirani servisni tehničar!

Upravajte dva svornjaka, koji su prethodno postavljeni na štitniku, s dvama provrtima za vijke na dršku (sl. B), a zatim ih pritegnite priloženim inbus ključem (sl. C).

Uvjerite se da je štitnik pričvršćen u skladu sa sl. B i C. Svako obrnuto pričvršćivanje izazvat će veliku opasnost!

POSTAVLJANJE I PODEŠAVANJE PREDNJE POMOĆNE DRŠKE

Prednji pomoćni rukohvat gumite na držak (sl. E), a zatim umetnite stezni blok u utor rukohvata (sl. F), postavite zaporni klin i pritegnite ga s krilnom maticom (sl. G). Slijed je prikazan na sl. D. Na kraju prednji pomoćni rukohvat namjestite između mekanog naglavka i naljepnice kako biste osigurali da vam prednja ruka bude ispružena pri uporabi šišača trave (sl. H), a zatim zabravite ručicu zapornog klina (sl. I).

Opis dijelova na sl. D i H pogledajte u nastavku:

D-1	Podesivi prednji pomoćni rukohvat	D-4	Krilna matica
D-2	Zaporni klin	H-1	Mekani naglavak
D-3	Stezni blok	H-2	Naljepnica upozorenja

NAPOMENA! Prednji pomoćni rukohvat potrebno je okrenuti prema gore kako bi bio usmjeren prema gornjoj strani stražnjeg rukohvata.

UPOZORENJE! Prednji pomoćni rukohvat pričvršćujte samo između mekanog naglavka i naljepnice na dršku.

UPOZORENJE! Alat se ne smije upotrebljavati ako prednji pomoćni rukohvat nije dobro pričvršćen.

POSTAVLJANJE RAMENE TRAKE

- Otpustite i uklonite svornjak u kukici trake (sl. J1 i J2).
- Pričvrstite kukicu na držak kako je prikazano na sl. J3 i zabravite je svornjakom (sl. J4).

UPOZORENJE! Kukicu trake pričvrstite samo između kućišta i mekanog naglavka na dršku.

RAD

UPOZORENJE! Nemojte dopustiti da vas poznavanje ovog proizvoda učini nepažljivim. Imajte na umu da je za nanošenje teških ozljeda dovoljan samo djelić sekunde nepažnje.

UPOZORENJE! Uvijek nosite zatvorene zaštitne naočale ili zaštitne naočale s bočnim štitnicima, zajedno sa zaštitom za sluh. Nepostupanje u skladu s tim može rezultirati odbacivanjem predmeta u oči i drugim mogućim teškim ozljedama.

UPOZORENJE! Nemojte koristiti nikakve priključke ili pribor koje nije preporučio proizvođača ovog proizvoda. Uporaba priključaka ili pribora koji nije preporučeni može dovesti do ozbiljnih tjelesnih ozljeda.

UPOZORENJE! Radi sprečavanja teških tjelesnih ozljeda, prije servisiranja, čišćenja, promjene priključaka ili uklanjanja materijala iz jedinice izvadite komplet baterija iz alata.

Ovaj proizvod možete koristiti za svrhe navedene u nastavku:

Šišanje: koristi se za uklanjanje trave i korova oko zidova, ograda, stabala i pregrada.

Košnja: koristi se za košnja trave koju je teško dohvatiti pomoću normalne kosilice.

NAPOMENA: alat se smije koristiti samo za prethodno opisanu namjenu. Svaka druga uporaba, kao što je primjerice rubno šišanje, smatra se nepropisnom uporabom.

SPAJANJE/ODSPAJANJE BATERIJE

NAPOMENA! Kad upotrebljavate baterije BA3360/BA4200/BA4200T/BA5600T, upotrebljavajte ih u kombinaciji sa sustavom za nošenje na leđima (BH1000) radi bolje ravnoteže.

U potpunosti napunite prije prve uporabe.

Spajanje

Upravajte kontakte baterije s montažnim utorima i pritišćite komplet baterija prema dolje dok ne začujete zvuk klikanja (sl. K2).

Odspajanje

Pritisnite gumb za otpuštanje baterije i izvucite komplet baterija kako je prikazano na sl. L.

Opis dijelova na sl. K1 i K2 pogledajte u nastavku:

K-1	Komplet baterija BA3360/BA4200/BA4200T/BA5600T	K-4	Zapor
K-2	Adapter	K-5	Utor za postavljanje baterije
K-3	Sustav za nošenje na leđima		

DRŽANJE ŠIŠAČA SA ŽINJOM

⚠ UPOZORENJE! Obucite se propisno kako biste smanjili rizik od ozljeda tijekom rukovanja alatom. Ne nosite široku odjeću ili nakit. Nosite zaštitu za oči i uši/sluh. Nosite čvrste duge hlače, čizme i rukavice za teške uvjete rada. Nemojte nositi kratke hlače ili sandale ili biti bos.

Prije rukovanja šišač trave držite objema rukama. Jednu ruku držite na stražnjem rukohvatu, a drugu ruku koja treba biti ispružena na prednjem pomoćnom rukohvatu (sl. M). Zatim provjerite držanje i ravnotežu i propisnu razdaljinu za rezanje.

NAPOMENA! Glava šišača trave je u paralelnom položaju u odnosu na tlo na propisnoj razdaljini za rezanje bez naginjanja rukovatelja prema naprijed.

POKRETANJE/ZAUSTAVLJANJE ŠIŠAČA SA ŽINJOM

Pokretanje

Pritisnite gumb za deblokadu, a zatim okidač. Različiti pritisak na okidač rezultira različitim brzinama rotacije rezne niti. Više pritiska, viša brzina.

Zaustavljanje

Otpustite gumb za deblokadu i okidač.

NAPOMENA! Motor radi samo kad se pritisnu gumb za deblokadu i okidač.

⚠ UPOZORENJE! Za vrijeme prekida rada i nakon završetka rada uvijek izvadite bateriju iz šišača.

UPORABA ŠIŠAČA SA ŽINJOM

⚠ UPOZORENJE! Kako biste izbjegli ozbiljne tjelesne ozljede, u svakom trenutku tijekom rada s ovim uređajem nosite zaštitne naočale ili sigurnosne naočale. U prašnjavim područjima nosite zaštitnu masku za lice ili masku za zaštitu od prašine.

Prije svake uporabe očistite radno područje. Uklonite sve predmete poput kamenja, razbijenog stakla, čavala, žica ili niti koje stroj može odbaciti ili koji se mogu zaplesti u rezni priključak. Iz područja udaljite djecu, promatrače i kućne ljubimce. Držite djecu, promatrače i kućne ljubimce udaljene najmanje 15 m; čak i tada postoji opasnost od odbacanih predmeta za promatrače. Promatrače je potrebno zamoliti da nose zaštitu za oči. Ako vam netko prilazi, odmah zaustavite motor i rezni priključak.

Prije svake uporabe provjerite oštećene/istrošene dijelove

Provjerite glavu šišača trave, štitnik i prednji pomoćni rukohvat i zamijenite dijelove koji su napukli, deformirani, svinuti ili oštećeni na bilo koji način.

Oštrica za rezanje rezne niti na rubu štitnika vremenom može otupjeti. Preporučujemo povremeno oštrenje oštrice turpijom ili zamjenu oštrice novom.

⚠ UPOZORENJE! Pri postavljanju štitnika ili servisiranju oštrice uvijek nosite rukavice. Pazite na oštricu na štitniku i zaštitite ruke od porezotina.

Šišač s reznom žinjom očistite nakon svake uporabe.

⚠ OPREZ: Prepreke u ventilacijskim otvorima sprječavaju da zrak struji u kucište motora što uzrokuje pregrijavanje ili oštećenje motora.

Za čišćenje alata koristite samo blagi sapun i vlažnu krpu. Nikada nemojte dopustiti da tekućina uđe u alat; Nikada ne uranjajte nijedan dio alata u tekućinu.

- Držite ventilacijske otvore kucišta motora u svakom trenutku bez nečistoća.

⚠ UPOZORENJE! Za čišćenje vašeg šišača nikada ne koristite vodu. Pri čišćenju plastičnih dijelova izbjegavajte koristiti otapala. Većina plastike podložna je oštećenju različitih vrsta komercijalnih otapala. Za uklanjanje nečistoće, prašine, ulja, masti i sl. koristite čiste krpe.

SAVJETI ZA NAJBOLJE REZULTATE UPORABE ŠIŠAČA TRAVE (SL. N)

- Ispravan kut za rezni priključak je paralelan u odnosu na tlo.
- Izbjegavajte preveliko opterećenje šišača trave. Omogućite da vrh rezne niti obavlja rezanje (posebno duž zidova). Rezanje s više rezne niti smanjit će učinkovitost rezanja i može preopteretiti motor.
- Visina rezanja određuje se razdaljinom rezne niti od površine travnjaka.
- Travu višu od 20 cm potrebno je rezati progresivno odozgo prema dolje u malim koracima radi izbjegavanja prijevremenog trošenja rezne niti ili zastoja motora.
- Polako pomičite šišač trave u područje koje se reže i iz područja uz održavanje položaja rezne glave na željenoj visini rezanja. Ovo pomicanje može biti pokret prema naprijed ili bočni pokret. Rezanje kraćih duljina daje najbolje rezultate.
- Šišač trave upotrebljavajte samo kad su trava i korov suhi.
- Žičane i drvene ograde mogu prouzročiti dodatno trošenje ili pucanje rezne niti. Kameni zidovi i zidovi od cigle, pločnici i drvo mogu prouzročiti ubrzano trošenje rezne niti.
- Izbjegavajte drveće i šiblje. Rezna nit lako može oštetiti koru drveća, dekoraciju drva, vanjsku oplatu i stupove ograde.

Opis dijelova na sl. N pogledajte u nastavku:

N-1	Najbolje područje rezanja	N-2	Opasno područje rezanja
-----	---------------------------	-----	-------------------------

PODEŠAVANJE DULJINE REZNE NITI

Glava šišača trave rukovatelju omogućuje otpuštanje više rezne niti bez zaustavljanja motora. Ako se rezna nit pohaba ili istroši, laganim doticanjem držača kalema o tlo tijekom rukovanja šišačem trave moguće je otpustiti više niti (sl. O).

NAPOMENA: otpuštanje niti teže je kako se rezna nit skraćuje.

⚠ UPOZORENJE! Ne uklanjajte sklop rezne oštrice niti ili ne obavljajte preinake na njemu. Prekomjerna duljina niti prouzročit će pregrijavanje motora što može rezultirati teškim tjelesnim ozljedama.

ZAMJENA REZNE NITI

NAPOMENA! Uvijek upotrebljavajte preporučenu najlonsku reznu nit promjera ne većeg od 2,4 mm. Uporaba rezne niti drukčije od navedene može prouzročiti pregrijavanje ili oštećenje šišača trave.

⚠ UPOZORENJE! Nikad ne upotrebljavajte metalom ojačane niti, žicu ili uže i sl. jer mogu se odlomiti i postati opasni projektili.

Šišač trave s reznom niti opremljen je naprednim sustavom automatskog namotavanja rezne niti. Reznu nit moguće je namotati na kalem jednostavnim pritiskom na jedan gumb. Namotavanje kalema

u cijelosti obično je moguće obaviti za 12 sekundi. Izbjegavajte ponavljeni brzi rad sustava namotavanja kako biste smanjili mogućnost oštećenja motora.

1. Uklonite komplet baterija.
2. Ako je potrebno, uklonite preostalu reznu nit. Jednostavno je povucite rukom.
3. Izrežite jedan komad rezne niti dužine otprilike 4 m. Umetnite reznu nit u ušicu (sl. P) i gurajte je dok njezin kraj ne izade na suprotnoj ušici.

Opis dijelova na sl. P pogledajte u nastavku:

P-1	Rezna nit	P-3	Ušica
P-2	Donji poklopac		

4. Uklonite bateriju ako je u prethodnom koraku postavljena na šišač trave s reznom niti.
5. Povlačite reznu nit s druge strane dok rezna nit ne bude iste duljine s obje strane glave šišača trave (sl. Q).

6. Postavite komplet baterija na šišač trave s reznom niti. Pritisnite gumb za namotavanje rezne niti i držite ga pritisnutim kako biste pokrenuli motor za namotavanje rezne niti. Rezna nit kontinuirano će se namotavati u glavu šišača trave (sl. R).
7. Pažljivo pazite na duljinu preostale rezne niti. Budite spremni da otpustite gumb čim sa svake strane ostane oko 18 cm rezne niti. Kratko pritisnite gumb za namotavanje rezne niti kako biste podesili duljinu tako da sa svake strane ostane 14 cm rezne niti.
8. Gurnite glavu šišača trave prema dolje pritom povlačeći reznu nit kako biste je ručno pomakli prema naprijed i provjerili je li ispravno postavljena.

NAPOMENA! U slučaju nehotičnog uvlačenja rezne niti u glavu šišača trave, otvorite glavu i izvucite reznu nit iz kalema. Za ponovno namotavanje rezne niti slijedite upute u poglavlju "PONOVRNO NAMOTAVANJE REZNE NITI".

PONOVRNO NAMOTAVANJE REZNE NITI

Ako se rezna nit otkine na izlazu niti ili ako se rezna nit ne otpusti lupkanjem glave šišača trave, za uklanjanje preostale rezne niti i ponovno namotavanje rezne niti slijedite korake u nastavku.

1. Pritisnite dva jezičca za otpuštanje na glavi šišača trave i uklonite glavu šišača trave povlačeći je ravno van (sl. S-1 i S-2).
2. Izvadite reznu nit iz glave šišača trave i umetnite oprugu u utor u sklopu donjeg poklopca (sl. T).
3. Jednom rukom držite šišač trave, drugom rukom uzmite sklop donjeg poklopca i uravnajte uture u sklopu donjeg poklopca s jezičcima za otpuštanje. Pritišćite sklop donjeg poklopca dok ne ulegne u svoje ležište, pri čemu ćete čuti jasan zvuk kikanja (sl. U).
4. Za ponovno namotavanje rezne niti slijedite upute u poglavlju "ZAMJENA REZNE NITI".

Opis dijelova na sl. S1, T i U pogledajte u nastavku:

S1-1	Sklop donjeg poklopca	U-1	Otpusni jezičac
S1-2	Otpusni jezičac	U-2	Utor
T-1	Opruga		

ZAMJENA GLAVE ŠIŠAČA TRAVE

⚠ UPOZORENJE! Ako se glava nakon pričvršćivanja otpusti, odmah je zamijenite. Šišač trave nikad ne upotrebljavajte ako je rezni priključak otpušten. Puknutu, oštećenu ili istrošenu reznu glavu odmah zamijenite čak i ako je oštećenje ograničeno na površinske pukotine. Takvi priključci mogu se raspuknuti pri visokoj brzini i prouzročiti teške ozljede.

Uklanjanje glave šišača trave

- Izvadite komplet baterija iz šišača trave s reznom niti.
- Pritisnite jezičce za otpuštanje na glavi šišača trave i uklonite sklop donjeg poklopca glave šišača trave povlačeći ga ravno van
(pogledajte sl. S1 i S2).
- Izvadite reznu nit iz glave šišača trave (sl. V).
- Ako je potrebno, izvadite oprugu iz sklopa kalema. Sačuvajte je za ponovno sastavljanje.
- Nosite rukavice. Jednom rukom prihvatite sklop kalema kako biste ga stabilizirali, a drugom rukom držite udarni ključ kako biste otpustili maticu u smjeru suprotnom smjeru kretanja kazaljki na satu (sl. W).
- S vratila motora uklonite maticu, podlošku, sklop kalema i gornji poklopac (sl. X).
- Za uklanjanje sigurnosnog prstena upotrijebite klijesta za sigurnosni prsten. Uklonite sklop ventilatora (sl. Y).
- Zamijenite glavu šišača trave i postavite je prema sljedećim koracima.

Opis dijelova na sl. W, X i Y pogledajte u nastavku:

W-1	Udarni ključ	X-4	Matica
X-1	Gornji poklopac	Y-1	Sklop ventilatora
X-2	Sklop kalema	Y-2	Sigurnosni prsten
X-3	Podloška		

Postavljanje nove glave šišača trave

- Uravnajte utor za klin u sklopu ventilatora s uzdužnim zubom u vratilu motora i postavite sklop ventilatora na njegovo mjesto (sl. Z).
- Postavite sigurnosni prsten, gornji poklopac, sklop kalema i podlošku ovim slijedom. Za pritezanje matice upotrijebite udarni ključ.
- Za postavljanje sklopa donjeg poklopca slijedite upute u poglavlju **“PONOVNO NAMOTAVANJE REZNE NITI”** u ovim uputama za uporabu.
- Za ponovno namotavanje rezne niti slijedite upute u poglavlju **“ZAMJENA REZNE NITI”** u ovim uputama za uporabu.
- Pokrenite alat kako biste vidjeli da li šišač trave s reznom niti ispravno radi. Ako to nije slučaj, rastavljanje obavite na gore opisani način.

Opis dijelova na sl. Z pogledajte u nastavku:

Z-1	Uzdužni zub	Z-2	Utor za klin
-----	-------------	-----	--------------

ODRŽAVANJE

⚠ UPOZORENJE! Pri servisiranju koristite samo identične zamjenske dijelove. Redovito obavljajte pregled i održavanje stroja. Radi osiguranja sigurnosti i pouzdanosti sve popravke treba obavljati kvalificirani servisni tehničar.

⚠ UPOZORENJE! Baterijske alate nije potrebno uključivati u električnu utičnicu, stoga su uvijek u radnom stanju. Da biste spriječili ozbiljne tjelesne ozljede, poduzmite dodatne mjere opreza i brige prilikom održavanja, servisiranja ili mijenjanja priključaka za rezanje ili drugih priključaka.

⚠ UPOZORENJE! Radi sprečavanja teških tjelesnih ozljeda, prije servisiranja, čišćenja, promjene priključaka ili uklanjanja materijala iz uređaja izvadite komplet baterija iz alata.

ČIŠĆENJE UREĐAJA

- Jedinicu očistite vlažnom krpom i blagim deterdžentom.
- Za čišćenje plastičnog kućišta ili rukohvata ne koristite jake deterdžente jer mogu ih oštetiti neka aromatična ulja, kao što su borovo i limunovo ulje i otapala kao što je kerozin. Vлага može izazvati opasnost od strujnog udara. Vlažna mjesta obrišite mekanom suhom krpom.
- Za čišćenje ventilacijskih otvora na stražnjem kućištu koristite malu četku ili mali usisavač.

OŠTRENJE OŠTRICE ZA REZANJE REZNE NITI

⚠ UPOZORENJE! Kad obavljate radove održavanja oštrice za rezanje rezne niti, uvijek zaštitite ruke nošenjem debelih rukavica.

- Uklonite oštricu za rezanje rezne niti sa štitnika.
- Nosite propisnu zaštitu za oči i rukavice i budite oprezni kako biste izbjegli porezotine.
- Osigurajte oštricu u škripcu.
- Pažljivo obradite rezne bridove oštrice turpijom s finim zupcima ili kamenom za oštrenje, održavajući pritom originalni kut reznog brida.
- Ponovno stavite oštricu na štitnik i osigurajte je dvama vijcima.

SKLADIŠTENJE JEDINICE

- Ako ga ne koristite, uklonite bateriju iz šišača.
- Prije skladištenja temeljito očistite alat.
- Jedinicu skladištite na suhom, dobro prozračenom mjestu koje je moguće zaključati ili koje je na visini izvan dohvata djece. Uređaj nemojte pohranjivati na gnjojivima, benzinu ili drugim kemikalijama ili u njihovoj blizini.

Zaštita okoliša



Električnu opremu, punjač baterije i baterije/punjive baterije ne odlažite u otpad iz kućanstva!

Prema Europskoj Direktivi 2012/19/EU o električnoj i elektroničkoj opremi koja više nije iskoristiva i prema Europskoj Direktivi 2006/66/EZ neispravne ili iskorištene komplete baterija/baterije potrebno je sakupljati zasebno.

Ako se električni uređaji odlažu na odlagališta otpada ili deponije, opasne tvari mogu iscurjeti u podzemne vode i dospjeti u lanac ishrane, oštećujući tako vaše zdravlje i blagostanje.

OTKLANJANJE POGREŠKI

PROBLEM	UZROK	RJEŠENJE
Šišač trave s reznom niti ne pokreće se	<ul style="list-style-type: none"> ■ Komplet baterija nije pričvršćen na šišač sa žinjom. ■ Nema električnog kontakta između šišača i baterije. ■ Komplet baterija je ispražnjen. ■ Gumb za deblokadu i okidač ne pritišću se istodobno. 	<ul style="list-style-type: none"> ■ Pričvrstite komplet baterija na šišač sa žinjom. ■ Izvadite bateriju, provjerite kontakte i ponovno stavite komplet baterija. ■ Napunite komplet baterija. ■ Pritisnite gumb za deblokadu i držite ga pritisnutom, a zatim pritisnite okidač kako biste uključili šišač trave s reznom niti.
Šišač trave s reznom niti zaustavlja se tijekom rezanja.	<ul style="list-style-type: none"> ■ Štitnik nije postavljen na šišač trave, što rezultira predugačkom reznom niti i preopterećenjem motora. ■ Koristi se teška rezna nit. ■ Vratilo motora ili glavu šišača trave blokira trava. ■ Motor je preopterećen. ■ Komplet baterija ili šišač trave s reznom niti previše je vruć. ■ Komplet baterija odspojen je od alata. ■ Komplet baterija je ispražnjen. 	<ul style="list-style-type: none"> ■ UKLONITE KOMPLET BATERIJA I NA ŠIŠAČ TRAVE POSTAVITE ŠTITNIK. ■ Koristite preporučenu najlonsku reznu nit promjera ne većeg od 2,4 mm. ■ Zaustavite šišač trave, izvadite bateriju i očistite travu s vratila motora i glave šišača trave. ■ Uklonite glavu šišača s trave. Motor će se oporaviti i biti spreman za rad čim se ukloni opterećenje. Glavu šišača prilikom šišanja pomičite u travu i iz trave i jednim rezom ne uklanjajte više od 20 cm duljine. ■ Pričekajte da se komplet baterija ili šišač ohladi na temperaturu ispod 67 °C. ■ Ponovno stavite komplet baterija. ■ Napunite komplet baterija.

PROBLEM	UZROK	RJEŠENJE
Glava šišača ne izvlači reznu nit.	<ul style="list-style-type: none"> ■ Vratilo motora ili glavu šišača trave blokira trava. ■ U držaču kalema nema dovoljno rezne niti. ■ Glava šišača trave je zaprljana. ■ Rezna nit zapetljala se u držaču kalema. ■ Rezna nit je prekratka. 	<ul style="list-style-type: none"> ■ Zaustavite šišač trave, izvadite bateriju i očistite travu s vratila motora i glave šišača trave. ■ Izvadite bateriju, uklonite reznu žinju s držača špule i ponovno je namotajte; slijedite upute u poglavlju "ZAMJENA REZNE ŽINJE" u ovom priručniku. ■ Izvadite bateriju i očistite držač kalema i kućište kalema. ■ Izvadite bateriju, uklonite reznu nit iz držača kalema i ponovno je namotajte; slijedite upute u poglavlju "ZAMJENA REZNE NITI" u ovim uputama za uporabu. ■ Uklonite bateriju i povucite rezne niti dok izmjenično pritišćete i otpuštate glavu šišača trave.
Trava se omotava oko glave šišača trave i kućišta motora	<ul style="list-style-type: none"> ■ Visoka trava reže se od razine tla. 	<ul style="list-style-type: none"> ■ Visoku travu režite odozgo prema dolje i pritom ne režite više od 20 cm u svakom prolazu kako biste izbjegli omotavanje.
Oštrica ne reže reznu nit.	<ul style="list-style-type: none"> ■ Oštrica za rezanje rezne žinje na rubu štitnika je tupa. 	<ul style="list-style-type: none"> ■ Oštricu za rezanje rezne žinje naoštrite turpijom ili zamijenite je novom.
Pukotine na glavi šišača trave ili držač kalema otpustio se s kućišta kalema.	<ul style="list-style-type: none"> ■ Glava šišača trave istrošena je. 	<ul style="list-style-type: none"> ■ Neposrednu zamjenu glave šišača trave prepustite kvalificiranom servisnom tehničaru.
Tijekom zamjene rezne niti, reznu nit nije moguće propisno uvući u glavu šišača trave.	<ul style="list-style-type: none"> ■ Crtice LOAD na držaču kalema nisu uravnate s ušicama u kućištu kalema. ■ Rezna nit nije ispravno umetnuta u montažni provrt u ušici. 	<ul style="list-style-type: none"> ■ Okrenite držač kalema u smjeru strelice kako biste crtice LOAD na držaču kalema uravnali s ušicama u kućištu kalema. ■ Najprije uravnajte crtice LOAD s ušicama, a zatim reznu nit umetnite u montažni provrt koji se nalazi u ušici.

JAMSTVO

JAMSTVENA POLITIKA PROIZVOĐAČA EGO

Za cjelokupne uvjete jamstvene politike proizvođača EGO posjetite internetsku stranicu egopowerplus.com.

სრულად გაეცანით ინსტრუქციას!



გაეცანით მომხმარებლის ინსტრუქციას

⚠ არსებული რისკი! პიროვნებებმა ისეთი ელექტრული მოწყობილობებით, როგორცაა იმპლანტირებული დეფიბრილატორი, უნდა მიმართონ პირად ექიმს რჩევებისთვის ამ პროდუქტის გამოყენებამდე. იმპლანტირებულ დეფიბრილატორთან უშუალო სიახლოვეს ელექტრული მოწყობილობის ოპერირებამ შესაძლოა დეფიბრილატორს ხელი შეუშალოს მუშაობაში ან გათიშოს იგი.

⚠ გაფრთხილება: ხელსაწყოს უსაფრთხოდ და გამართულად მუშაობისთვის საჭიროა მისი ყველა შეკეთება და ნაწილის შეცვლა შესრულდეს კვალიფიციური სერვისის ტექნიკოსის მიერ.

უსაფრთხოების წესის სიმბოლოები

უსაფრთხოების წესის სიმბოლოების მიზანია მიაქციოთ ყურადღება შესაძლო საფრთხეებს. ყურადღებით გაეცანით და შეისწავლეთ უსაფრთხოების წესის სიმბოლოები და მათი შესაბამისი განმარტებები. უსაფრთხოების წესის სიმბოლოების მინიმუმები თავისთავად არ ანეიტრალებს რაიმე საფრთხის არსებობის რისკს. მათ მიერ მოწოდებული ინსტრუქციები და გაფრთხილებები არ არიან შემთხვევის თავიდან აცილების სწორი პროცედურის შემცველები.

⚠ გაფრთხილება: ხელსაწყოს გამოყენებამდე დაწვრილებით გაეცანით და შეისწავლეთ ყველა უსაფრთხოების წესი მომხმარებლის ამ ინსტრუქციაში, მათ შორის ყველა უსაფრთხოების წესის სიმბოლო როგორცაა „სამიშროება“, „გაფრთხილება“ და „ყურადღება“. ქვემოთ ჩამოთვლილი ყველა ინსტრუქციის უგულვებელყოფამ შესაძლოა გამოიწვიოს

ელექტრული შოკი, ხანძარი და/ან მოგაყენოთ სერიოზული პირადი ზიანი.

სიმბოლოების მნიშვნელობა

⚠ უსაფრთხოების შეტყობინების სიმბოლო: აღნიშნავს - „სამიშროება“, „გაფრთხილება“ ან „ყურადღება“. შესაძლოა გამოყენებულ იქნას სხვა სიმბოლოებთან ან პიქტოგრამებთან ერთად.

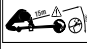






უსაფრთხოების წესის ინსტრუქცია

ეს გვერდი აჩვენებს და აღწერს იმ უსაფრთხოების წესის სიმბოლოებს, რომლებიც შესაძლოა აღბეჭდილია მოცემულ პროდუქტზე. წაკითხეთ, შეისწავლეთ და მიყევით ხელსაწყოს ყველა ინსტრუქციას მის აწყობამდე და ჩართვამდე.

	უსაფრთხოების ნიშანი	აღნიშნავს შესაძლო პირადი ზიანის საფრთხეს.
	გაეცანით მომხმარებლის ინსტრუქციას	დაზიანების რისკის შესამცირებლად მომხმარებელმა უნდა წაკითხოს და გაეცნოს ხელსაწყოს მუშაობის ინსტრუქციას მის გამოყენებამდე.
	გაცივებულ თვალბრძანების დამცავი	ყოველთვის მორგეთ უსაფრთხოების თვალსაფარი ან გვერდითა ეკრანების მქონე უსაფრთხოების სათვალე და მთლიანი სახის ეკრანი ხელსაწყოთი სარგებლობისას.
	გაცივებულ ყურების დამცავი	ყოველთვის გამოიყენეთ ზგერის დამხმობები (ყურის საცობები ან ყურისკაფები), რათა დაიცვათ თქვენი სმენა.
	თიბვის სიგანე	ელექტრული სათიბის მაქსიმალური თიბვის სიგანე

KA

	ძუის დიამეტრი	მთიბავი ნეილონის ძუის დიამეტრი
	გაიკეთეთ თავის დამცავი საშუალება	გამოიყენეთ აპრობირებული მყარი ჩაფხუტი, რათა დაცვათ თავის არე.
	ჩაიცვით დამცავი ხელთათმანები	დაიცავით თქვენი ხელები ხელთათმანებით, როდესაც ეხებით დანას ან დანის დამცავ ევრანს. მოცურების საწინააღმდეგო, დამცავი ხელთათმანები აუშჯობესებენ ხელის მოჭიდებას და იცავენ თქვენს ხელებს.
	ჩაიცვით უსაფრთხოების დამცავი ფეხსაცმელი	ჩაიცვით მოცურების საწინააღმდეგო ფეხსაცმელი ხელსაწყოს გამოყენებისას.
	მოერიდეთ დანის ბიძგს	გააფრთხილეთ მომხმარებელი დანის ბიძგის საფრთხის შესახებ.
	რიკომეტრის საფრთხე და მოარიდეთ სხვა ადამიანები ხელსაწყოს	შესაძლოა გამოტყორცილი სხეულების რიკომეტრება და ამით პირადი ან ქონებრივი ზიანის მიყენება. დარწმუნდით რომ სხვა ადამიანები ან შინაური ცხოველები იმყოფებიან ბუჩქის საკრეჭიდან მოშორებით ხელსაწყოთი სარგებლობისას.

	მოარიდეთ სხვა ადამიანები	დარწმუნდით რომ სხვა ადამიანები ან შინაური ცხოველები იმყოფებიან მინიმუმ 15 მ მოშორებით ელექტრო მთიბავით სარგებლობისას.
	წრიული დანის გამოყენება აკრძალულია	არ დაუყენოთ მრგვალი ფორმის საჭრელი დანები.
	არ მოათავსოთ ხელსაწყო წვიმის ქვეშ	არ გამოიყენოთ წვიმაში ან დატოვოთ გარეთ წვიმის დროს.
	CE	ხელსაწყო შესაბამება ევროკავშირის მიერ წამოყენებულ რეგულაციებს.
	WEEE	ელექტრული ხელსაწყოების უტილიზაცია არ უნდა მოხდეს საყოფაცხოვრებო ნარჩენებთან ერთად. წაიღეთ ხელსაწყო ავტორიზირებულ ნარჩენების გადამამუშავებელთან.
	ხმაური	გარანტირებული ხმის სიმძლავრის დონე. გარემოში ხმაურის გავრცელების დონე ევროკავშირის რეგულაციების შესატყვისია.
V	ვოლტი	ძაბვა
	მუდმივი დენი	დენის ტიპი ან სახე
I_0	დაუტვირთავი ბრუნვის სიჩქარე	დაუტვირთავი ბრუნვის სიჩქარე

KA

min ¹	წუთში	ბრუნთა რიცხვი წუთში
------------------	-------	------------------------

ელექტრული ხელსაწყოთა უსაფრთხოების ზოგადი მაჩვენებლები

⚠ გაფრთხილება: გაეცანით ამ ელექტრულ ხელსაწყოთა დაკავშირებულ ყველა უსაფრთხოების მითითებას, ინსტრუქციას, ილუსტრაციას და სპეციფიკაციას. ქვემოთ ჩამოთვლილი ყველა ინსტრუქციის უგულბელობამ შესაძლოა გამოიწვიოს ელექტრული შოკი, ხანძარი და/ან მოგაყენოთ სერიოზული ზიანი.

შეინახეთ ყველა მითითება და ინსტრუქცია სამომავლოდ გამოყენებისთვის.

ტერმინი „ელექტრული ხელსაწყო“ უსაფრთხოების ინსტრუქციაში შეესაბამება ქსელიდან (სადენით) ან აკუმულატორით (უსადენო) მიღებულ დენზე მომუშავე ელექტრულ ხელსაწყოს.

სამუშაო არეს უსაფრთხოება

- დაიცავით სამუშაო არის სისუფთავე და იქონიეთ კარგი განათება. ჩახერგილი ან ბნელი სამუშაო არე იწვევს ინციდენტებს.
- არ ამუშაოთ ელექტრული ხელსაწყო ჰაერში ფეთქებადი საშუალებების არსებობისას, როგორცაა აალებადი სითხეები, აირები ან მტვერი. ელექტრული ხელსაწყოები წარმოქმნიან ნაპერწკალს, რომელმაც შესაძლოა აანთოს მტვერი ან აირი.
- ელექტრული ხელსაწყოთი სარგებლობისას მოარიდეთ მას ზავშვები და სხვა პირები. ყურადღების გაფანტვას შეუძლია გამოიწვიოს ხელსაწყოზე კონტროლის დაკარგვა.

პირადი უსაფრთხოება

- ხელსაწყოთა გამოყენებისას იყავით ფხიზლად, იმოქმედეთ დაკვირვებით და სადი აზრის გათვალისწინებით. არ გამოიყენოთ ხელსაწყო როდესაც ხართ დაღლილი, ან ალკოჰოლის, მედიკამენტების ან ნარკოტიკების ზემოქმედების ქვეშ. ხელსაწყოთი სარგებლობისას მყისიერმა

უყურადღებობამ შეიძლება მოგაყენოთ სერიოზული პირადი ზიანი.

- გამოიყენეთ პირადი დამცავი საშუალებები.** ყოველთვის გაიკეთეთ თვალების დამცავი. შესაბამის სამუშაო პირობებში დამცავი საშუალებების გამოყენება, როგორცაა მტვრის საწინააღმდეგო ნიღაბი, მოცურების საწინააღმდეგო სპეც ფეხსაცმელი, მყარი ჩაფხუტი ან სმენის დამცავი, ამცირებს სამუშაო ტრავმებს.
- უცებდით ჩართვის ალკვთა.** დარწმუნდით რომ ჩართველი არის გამორთული პოზიციაში ხელსაწყოთა დენში და/ან აკუმულატორთან მიერთებამდე, ხელსაწყოთა მაღლა აწევამდე ან ტარებამდე. ელექტრული ხელსაწყოების ტარება ჩართვის ღილაკზე დადებული თითით ან ხელსაწყოთა დენში მიერთება, რომელსაც გააქტიურებული აქვს ჩართვის ღილაკი, იწვევს ინციდენტებს.
- მოხსნით ნებისმიერი დამაგრებელი მარეგულირებელი ხელსაწყო ან ქანჩის გასაღები ჩართვამდე.** ელექტრული ხელსაწყოთა მბრუნავ ნაწილზე დამაგრებულმა ქანჩის გასაღებმა ან სხვა მარეგულირებელმა შესაძლოა მოგაყენოთ პირადი ზიანი.
- არ გადაიხაროთ. ყოველთვის დაიცავით ბალანსი და მყარად იდგეთ ფეხზე.** ეს გაძლევთ საშუალებას მოახდინოთ ხელსაწყოთა უკეთესი კონტროლი მოულოდნელ სიტუაციებში.
- ჩაიცავით შესაბამისად. არ ჩაიცავთ განიერი, ფრიალა ტანსაცმელი და ძვირფასეულობა.** მოავიციეთ თქვენი თმა, ტანსაცმელი და ხელთათმანები მოძრავ ნაწილებს. განიერი, ფრიალა ტანსაცმელი, ძვირფასეულობა და თმა შესაძლოა ჩაითრიოს მოძრავმა ნაწილებმა.
- თუ არსებობს მტვრის ან ნარჩენების შემგროვებელი საშუალებების შეერთების ადგილები, დარწმუნდით რომ ისინი სწორადაა დაკავშირებული და გამოყენებული.** მტვრისთვის განკუთვნილი საშუალებების გამოყენებამ შესაძლოა შეამციროს მასთან დაკავშირებული საფრთხეები.

- შეეცადეთ მსგავს ხელსაწყოებთან ხშირი მუშაობის გამოცდილებამ არ გამოიწვიოს თქვენი უზრუნველობა და არ გაუკვეთოთ ხელსაწყოს უსაფრთხოების პრინციპებს ინგორირება. უგულისყურო საქციელმა წამის მეთაედმივ კი შესაძლოა მოგიტანოთ სერიოზული ზიანი.

ელექტრული ხელსაწყოს გამოყენება და მოვლა

- არ დაატანოთ ძალა ხელსაწყოს. გამოიყენეთ სწორი ხელსაწყო თქვენი მიზნებისთვის. სწორი ხელსაწყო უკეთ და უფრო უსაფრთხოდ გააკეთებს იმ საქმეს, რომლისთვისაც განკუთვნილია იგი.
- არ გამოიყენოთ ხელსაწყო თუ ჩამრთველი არ რთავს ან თიშავს მას. ნებისმიერი ხელსაწყო, რომელიც ვერ კონტროლდება ჩამრთველით, სახიფათოა და საჭიროებს შეკეთებას.
- გათიშული ელექტრული ხელსაწყოები შეინახეთ ზავშვებისთვის მიუწვდომელ ადგილას და არ მისცეთ ხელსაწყოს გამოყენების უფლება მისით სარგებლობის არმცოდნე ან მის ინსტრუქციაში ჩაუხედავ პირებს. ელექტრული ხელსაწყოები გამოუცდელი პირების ხელში სახიფათოა.
- მოუარეთ ელექტრულ ხელსაწყოებს და მის ნაწილებს. შეამოწმეთ მოძრავი და შემაკავშირებელი ნაწილების ურთიერთწინააღმდეგობა, ნაწილების დაზიანება და სხვა მდგომარეობა, რომელმაც შეიძლება გავლენა იქონიოს ხელსაწყოს მუშაობაზე. დაზიანების შემთხვევაში შეაკეთეთ ხელსაწყო გამოყენებამდე. ბუერი ინციდენტი გამოწვეულია ცუდად მოვლილი ელექტრო ხელსაწყოების გამო.
- მჭრელი ხელსაწყოები იქონიით სუფთა და ბასრ მდგომარეობაში. სწორად მოვლილი ბასრი დანის პირის მქონე მჭრელი ხელსაწყოების გახლართვა ნაკლებად ალბათურია და მათი კონტროლიც გაადვილებულია.

- გამოიყენეთ ეს ხელსაწყო, მისი ნაწილები, მათი დამჭერები და ა.შ. ინსტრუქციის მიხედვით, სამუშაო გარემოს და სამუშაოს ტიპის გათვალისწინებით. ელექტრული ხელსაწყოს არადანიშნულებისამებრ გამოყენებამ შესაძლოა შექმნას სახიფათო სიტუაცია.
- იქონიით სახელურები და სხვა ხელის ჩასაჭიდი ზედაპირები მშრალ და სუფთა, მათ შორის ცხიმისა და ზეთისგან თავისუფალ მდგომარეობაში. სრიალა სახელურები და ხელის ჩასაჭიდი ზედაპირები არ იძლევა ხელსაწყოს უსაფრთხო მოპყრობისა და კონტროლის საშუალებას მოულოდნელ სიტუაციებში.
- მთარიდეთ სადენები ხელსაწყოს სამუშაო არეს. მუშაობისას სადენი შესაძლოა ხედიდან დამალული იყოს და შემთხვევით დაზიანდეს ხელსაწყოს მიერ.

აკუმულატორის გამოყენება და მოვლა

- დატენეთ მხოლოდ მწარმოებლის მიერ მითითებული დამტენი მოწყობილობით. დამტენმა მოწყობილობამ, რომელიც თავსებადია ერთი ტიპის აკუმულატორთან, შესაძლოა წარმოშვას ხანძრის გარეშის რისკი სხვა აკუმულატორზე გამოყენებისას.
- გამოიყენეთ ელექტრული ხელსაწყოები მხოლოდ სპეციალურად აღნიშნული აკუმულატორებით. სხვა აკუმულატორების გამოყენებამ შესაძლოა წარმოშვას ფიზიკური დაზიანების ან ხანძრის რისკი.
- როდესაც აკუმულატორს არ იყენებთ, მოაცილეთ იგი ლითონის საგნებს, როგორცაა ქაღალდის კლიპი, მონეტა, გასაღები, ლურსმანი, ხრახნი ან სხვა მცირე ზომის ლითონის საგნები, რომელთაც შეუძლიათ აკუმულატორის კონტაქტების დამოკლება. აკუმულატორის კონტაქტების დამოკლებამ შესაძლოა გამოიწვიოს დამწვრობა ან ხანძარი.

KA

- არასწორი მოპყრობის შემთხვევაში სითხემ შესაძლოა გამოჟონოს აკუმულატორიდან; მორიგდეთ მასთან შეხებას. თუ შემთხვევით შეეხეთ სითხეს, ჩამოიხანეთ წყლით. თუ სითხე მოხვდა თვალებში, მიმართეთ ექიმს.

აკუმულატორიდან გამოჟონილმა სითხემ შესაძლოა გამოიწვიოს გაღიზიანება ან დამწვრობა.

- არ გამოიყენოთ აკუმულატორი ან ხელსაწყო, რომელიც დაზიანებული ან გადაკეთებულია. დაზიანებულმა ან გადაკეთებულმა აკუმულატორმა შესაძლოა გამოავლინოს არაპროგნოზირებადი ქცევა, რამაც შეიძლება გამოიწვიოს ხანძარი, აფეთქება ან პირადი ზიანი.

- არ მოათავსოთ აკუმულატორი ან ხელსაწყო ცეცხლში ან მაღალ ტემპერატურულ გარემოში. 100 °C-ზე მაღალმა ტემპერატურამ შესაძლოა გამოიწვიოს აფეთქება.

- მიყევით დატენვის ინსტრუქციებს და არ დატენოთ აკუმულატორი ინსტრუქციაში მითითებული ტემპერატურული დიაპაზონის გარეთ. არასწორი დატენვა ანდა აკუმულატორის დატენვა ინსტრუქციაში მითითებული ტემპერატურული დიაპაზონის გარეთ ზრდის ხანძრის რისკს.

ტექნიკური სერვისი

- ხელსაწყოს ტექნიკური სერვისი შეასრულებინეთ კვალიფიციურ პირს მხოლოდ იდენტური სათადარიგო ნაწილების გამოყენებით. მსგავსი პროცედურა უზრუნველყოფს ხელსაწყოს უსაფრთხოდ მუშაობას.

- არასოდეს შეაკეთოთ დაზიანებული აკუმულატორები. აკუმულატორების სერვისი მხოლოდ მწარმოებლის ან ავტორიზირებული სერვისის მომწოდებლის მიერ არის შესაძლებელი.

⚠ გაფრთხილება: გაცვანით ამ ელექტრულ ხელსაწყოსთან დაკავშირებულ ყველა უსაფრთხოების მითითებას, ინსტრუქციას, ილუსტრაციას და სპეციფიკაციას. ქვემოთ

ჩამოთვლილი ყველა ინსტრუქციის უგულვებელყოფამ შესაძლოა გამოიწვიოს ელექტრული შოკი, ხანძარი და/ან მოგაყენოთ სერიოზული ზიანი. შეინახეთ ყველა მითითება და ინსტრუქცია სამომავლოდ გამოყენებისთვის.

შეინახეთ ყველა მითითება და ინსტრუქცია სამომავლოდ გამოყენებისთვის.

ტრენინგი

- ყურადღებით წიკითხეთ ინსტრუქციები. შეისწავლეთ ხელსაწყოს კონტროლის დილაკები და მათი მართებული გამოყენების გზა.
- არასდროს მისცეთ ხელსაწყოს გამოყენების უფლება ამ ინსტრუქციების არმცოდნე პირებს ან ბავშვებს. ადგილობრივმა კანონმდებლობამ შესაძლოა შეზღუდოს ხელსაწყოს მომხარებლის ასაკი.
- გაითვალისწინეთ რომ ოპერატორი ან მომხმარებელი პასუხისმგებელია იმ შემთხვევებზე ან საფრთხეებზე რაც შესაძლოა წარმოექმნას სხვა პირებს ან მათ ქონებას.

მომზადება

- არასოდეს გამოიყენოთ ხელსაწყო თუ სხვა პირები, განსაკუთრებით ბავშვები ან შინაური ცხოველები არიან ახლოს.
- ყოველთვის გამოიყენეთ თვალის დამცავი საშუალებები და მყარი ფეხსაცმელი ხელსაწყოთი სარგებლობისას.
- ხელსაწყოსა და სხვა პირებს შორის დისტანცია უნდა იყოს მინიმუმ 15 მეტრი.
- არასდროს გამოიყენოთ ხელსაწყო, როდესაც ბრძანდებით დაღლილი, იმყოფებით ავად ან ალკოჰოლის ან სხვა ნარკოტიკების გავლენის ქვეშ.

ექსპლუატაცია

- ხელსაწყოთი სარგებლობა ნებადართულია მხოლოდ დღის სინათლეზე ან კარგი ხელოვნური განათების პირობებში.
- არასოდეს გამოიყენოთ ხელსაწყო დაზიანებული დამცავებით ან ეკრანებით, ან დამცავებისა და ეკრანების გარეშე.

- მოტორი ჩართეთ მხოლოდ მაშინ, როდესაც ხელები და ფეხები მოშორებულია მთიბავ ნაწილებს.
- ყოველთვის გამორთეთ ხელსაწყო დენის წყაროდან (ან მოხსენით აკუმულატორი),
 - როდესაც სტოვებთ ხელსაწყოს ყურადღების გარეშე;
 - გაჭედილი ობიექტებისაგან სათიბის გაწმენდამდე;
 - ხელსაწყოს შემოწმებამდე, გაწმენდამდე ან ჩართვამდე.
 - უცხო ობიექტზე შეჯახების შემდეგ;
 - როდესაც მანქანა იწყებს უჩვეულო ვიბრაციას.
- დაიცავით ხელები და ფეხები მთიბავი ნაწილებისგან გამოწვეული დაზიანებისაგან.
- ყოველთვის დარწმუნდით რომ საჭაეროები ნარჩენებისგან ცარიელია.

ექსპლუატაცია და შენახვა

- გამორთეთ ხელსაწყო დენის წყაროდან (ან მოხსენით აკუმულატორი), სანამ შეუდგებოდეთ ხელსაწყოს ტექნიკური სერვისის ან წმენდის პროცესს.
- გამოიყენეთ მხოლოდ მწარმოებლის მიერ რეკომენდირებული ნაწილები ან აქსესუარები.
- გაუკეთეთ ხელსაწყოს რეგულარული შემოწმება და ინსპექტირება. ხელსაწყოს შეკეთება მიანდეთ მხოლოდ ავტორიზირებულ ხელოსანს.
- შეინახეთ ხელსაწყო ბავშვებისთვის მიუწვდომელ ადგილას.

სხვა უსაფრთხოების გაფრთხილებები

- მოერიდეთ საშიშ გარემო პირობებს - არ გამოიყენოთ სათიბი ნესტიან ან სველ ფერდობზე.
- დამცავი ეკრანები იქონიეთ ხელსაწყოზე შესაბამის ადგილას და მუშა მდგომარეობაში.
- მოარიდეთ ხელები და ფეხები მჭრელ ნაწილებს.

- ფიზიკური ზიანის რისკის შესამცირებლად, არასოდეს ამუშაოთ ხელსაწყო კიბეზე ან სხვა არამყარი საყრდენის მქონე ობიექტზე დგომისას. არასოდეს დაიჭიროთ ხელსაწყოს მჭრელი ნაწილი წელს ზევით.
- შეამოწმეთ მჭრელი ნაწილი რეგულარული მცირე ინტერვალებით ხელსაწყოთი სარგებლობისას, ან დაუყონებლივ, თუ წარმოიქმნა მნიშვნელოვანი ცვლილება თიბვის პროცესის განმავლობაში.
- საუკეთესო შედეგის მისაღებად, თქვენნი აკუმულატორი დატენეთ 5° C-დან 40° C.-მდე ტემპერატურის პირობებში. არ შეინახოთ ხელსაწყო გარეთ ან ავტომობილში.
- თუ თქვენ სხვა პიროვნება მოგიახლოვდათ, დაუყონებლივ გააჩერეთ მოტორი და საკრეკი მოწყობილობა.
- გააფრთხილეთ მომხმარებელი დანის ბიძგის საფრთხის შესახებ (მხოლოდ 3-კბილიანი დანის შემთხვევაში).
 - დანის ბიძგი შესაძლოა მოხდეს როდესაც მზრუნავი დანა შეეხება ისეთ საგანს, რომელსაც მყისიერად ვერ მოჭრის.
 - დანის ბიძგი შესაძლოა იყოს იმდენად ძლიერი რომ, მოახდინოს ხელსაწყოს და/ან მომხმარებლის გაწვევა ნებისმიერი მიმართულებით და შესაძლოა, ასევე გამოიწვიოს ხელსაწყოზე კონტროლის დაკარგვა.
 - დანის ბიძგი შესაძლოა მოხდეს გაფრთხილების გარეშე თუ დანა დაბრკოლდება, გაჩერდება ან გაიხლართება.
 - დანის ბიძგი უფრო სავარაუდოა მოხდეს ისეთ არეში, სადაც რთულია მოჭრადი საგნების დანახვა.

- არ გაუკეთოთ დანა მოწყობილობას აუცილებელი ნაწილების შესაბამისი დამაგრების გარეშე. სათანადო ნაწილების გამოყენების უგულვებელყოფამ შესაძლოა გამოიწვიოს დანის მოწყვეტა და სერიოზულად დააზიანოს მომხმარებელი და/ან გვერდზე მდგომი ადამიანი. გადაადგდეთ დანები, რომლებიც მოღუნულია, აქვს შეცვლილი ფორმა, გაზზარულია, გატეხილია ან დაზიანებულია სხვაგვარად. გამოიყენეთ გალესილი დანა. ზღაგვი დანა მეტად დაბრკოლდება და მიიღებს ზიბეს (მხოლოდ 3-კბილიანნი დანის გამოყენების შემთხვევაში).
- ინერციით მზრუნავმა დანამ/ძუამ შესაძლოა მოგაყენოთ ფიზიკური ზიანი მოტორის ან ტრიგერის გათიშვის შემდეგაც. სათანადოდ აკონტროლეთ ხელსაწყო სანამ მზრუნავი დანა/ძუა ბოლომდე არ გაჩერდება.
- გამოიყენეთ მხოლოდ ის აკუმულატორის ბლოკები და დამტენები, რომლებიც მითითებულია სურ. A-ში
- აკუმულატორიანი ელექტრული ხელსაწყოების ქსელში შეერთება არ არის აუცილებელი; ისინი ყოველთვის მუშა მდგომარეობაში არიან. გათვალისწინეთ შესაძლო საფრთხეები მაშინაც კი როცა ხელსაწყო არ არის გამოყენებაში. გამოიჩინეთ სიფრთხილე როდესაც ახდენთ ხელსაწყოს შეკეთებას ან ტექნიკურ სერვისს.
- არ გარეცხოთ ხელსაწყო წყლის მილით; მოერიდეთ მოტორში და ელექტრულ შეერთებებში წყლის მოხვედრას.
- თუ ისეთი სიტუაცია შეიქმნა, რომელიც არაა აღწერილი ინსტრუქციაში, გამოიყენეთ საღი აზრი და მიიღეთ ფრთხილი გადაწყვეტილებები. მიმართეთ EGO-ს კლიენტთა მომსახურების ცენტრს დახმარებისთვის. შეინახეთ ეს მომხმარებლის ინსტრუქცია!

სპეციფიკაცია

ძაბვა	56 ვოლტი	
დაუტვირთავი ბრუნვის სიჩქარე	4000-5800 ბრ/წთ	
მთიბავი მექანიზმი	მთიბავის თავაკი	
მთიბავი ძუის ტიპი	2.4 მმ სისქის ნეილონის დაგრებილი ძუა	
თიბვის სიგანე	38 სმ	
რეკომენდირებული საექსპლუატაციო ტემპერატურა:	5°C-40°C	
რეკომენდირებული დასაწყობების ტემპერატურა:	-20°C-70°C	
წონა (აკუმულატორის გარეშე)	3.2 კგ	
გაზომილი ხმის სიმძლავრის დონე L_{WA}	92.6 dB(A) K=0.8 dB(A)	
ბგერის წნევის დონე მომხმარებლის ყურზე L_{PA}	72.6 dB(A) K=2.5 dB(A)	
გარანტირებული ხმის სიმძლავრის დონე L_{WA} (გაზომილი 2000/14/EC რეგულაციის მიხედვით)	93 dB(A)	
ვიბრაცია a_h	რეგულირებადი წინა სახელური	3.5 მ/წმ ² K=1.5 მ/წმ ²
	უკანა სახელური	2.1 მ/წმ ² K=1.5 მ/წმ ²

- მითითებული ვიბრაციის სრული მნიშვნელობა გაზომილია სტანდარტული ტესტირების მეთოდით და შესაძლოა გამოყენებულ იქნას ერთი ხელსაწყოს მეორესთან შედარებისას.
- მითითებული ვიბრაციის სრული მნიშვნელობა ასევე შესაძლოა გამოყენებულ იქნას ზემოქმედების პირველადი შეფასებისას.

შენიშვნა: ელექტრული ხელსაწყოს ვიბრაციის ემისია გამოყენებისას შესაძლოა განსხვავდებოდეს მითითებული ოდენობისგან; მომხმარებელმა ხელსაწყოთი სარგებლობისას საჭიროა გამოიყენოს ხელთათმანები და ყურის დამცავი საშუალებები.

შეფუთვის ჩამონათვალი

ნაწილის დასახელება	რაოდენობა
ელექტრო სათიბი	1
დამცავი ეკრანი	1
სახელურების კომპლექტი	1
მხარზე ჩამოსაკიდი ღვედი	1
ქანჩის გასაღები	1
მომხმარებლის ინსტრუქცია	1
სათიბი ძუა	1

აღწერა

შეისწავლეთ თქვენი ელექტრო სათიბი (ნახ. A)

- უკანა სახელური
- ჩამრთველი ტრიგერი
- ჩამკეტი ღილაკი
- რეგულირებადი წინა სახელური
- მხარზე ჩამოსაკიდი ღვედი
- ტარი
- დამცავი ეკრანი
- აკუმულატორის მოხსნის ღილაკი
- ჩამკეტი
- ელექტრული კონტაქტები
- ამოვდების მექანიზმი
- სათიბის თავაკი
- ძუის ჩატვირთვის ღილაკი
- სათიბი ძუა
- გამშვები ღილაკი
- სათიბის დანა
- ქანჩის გასაღები

ანცობა

გაფრთხილება: თუ რომელიმე ნაწილი დაზიანებულია ან დაკარგულია, არ ისარგებლოთ ხელსაწყოთი სანამ ყველა ნაწილი არ შეიცვლება. ხელსაწყოთი სარგებლობას დაზიანებული ან დანაკლისი ნაწილებით შესაძლოა მოჰყვეს სერიოზული პირადი ზიანი.

გაფრთხილება: არ სცადოთ ხელსაწყოს გადაკეთება ან ისეთი ნაწილების გამოყენება, რომლებიც არაა რეკომენდირებული ამ ელექტრო სათიბისთვის. ნებისმიერი

მსგავსი ცვლილება ან მოდიფიკაცია არის ხელსაწყოს არასათანადო გამოყენება და შესაძლოა წარმოქმნას სახიფათო მდგომარეობა, რომელმაც შესაძლოა გამოიწვიოს სერიოზული პირადი ზიანი.

გაფრთხილება: უცაბედი ჩართვის გამოსარიცხად, რომელმაც შესაძლოა გამოიწვიოს სერიოზული პერსონალური ზიანი, ყოველთვის მოხსენით აკუმულატორი ხელსაწყოს, როდესაც ხდება მისი აწყობა.

დამცავი ეკრანის დამონტაჟება

გაფრთხილება: ყოველთვის გამოიყენეთ ხელთათმანები, როდესაც ამონტაჟებთ ან ცვლით დამცავ ეკრანს. ფრთხილად მოეპყარით დანას ეკრანზე და დაიცავით ხელი გაჭრისგან.

გაფრთხილება: არ გამოიყენოთ ხელსაწყო მჭიდროდ დამაგრებული დამცავი ეკრანის გარეშე. დამცავი ეკრანი ყოველთვის უნდა იყოს დამაგრებული ხელსაწყოზე, რათა დაიცვას მომხმარებელი! არ შეეცადოთ მოხსნათ ან შეასწოროთ დამცავი ეკრანის პოზიცია, თუ საჭიროა მისი შეცვლა, მიმართეთ კვალიფიციურ სერვისის ტექნიკოსს!

გაუსწორეთ ორი ქანჭიკი, რომელიც წინასწარ დამაგრებულია დამცავ ეკრანზე, ტარზე არსებულ ორ ნასვრეტს (ნახ. B), და შემდეგ დაუჭიროთ ისინი არსებული ქანჩის გასაღებით (ნახ. C).

დარწმუნდით რომ დამცავი ეკრანი დამაგრებულია, როგორც ნაჩვენებია ნახ. B და C-ზე, ნებისმიერი სხვაგვარი დამაგრება არის სახიფათო!

წინა სახელურის დამაგრება და გასწორება

ჩასვით წინა სახელური ხელსაწყოს ტარზე (ნახ. E), შემდეგ დაამაგრეთ დამჭერი ბლოკი სახელურის ნასვრეტში (ნახ. F), ჩასვით ჩამკეტი ძელი და დაამაგრეთ ფრთიანი ქანჩით (ნახ. G). თანმიმდევრობა ნაჩვენებია ნახ. D-ზე. ბოლოს გაასწორეთ წინა სახელურის მდებარეობა რბილ ქუროსა და ეტიკეტს შორის, რათა დარწმუნდეთ რომ მკლავი არის სწორ მდგომარეობაში სათიბის გამოყენებისას (ნახ. H) და შემდეგ დაამაგრეთ ჩამკეტი ძელის ბერკეტი (ნახ. I).

ნახ. D და H ნაჩვენები ნაწილების აღწერა მოცემულია ქვევით:

D-1	რეგულირებადი წინა სახელური	D-4	ფრთიანი ქანჩი
D-2	ჩამკეტი ძელი	H-1	რბილი ქურო
D-3	დამჭერი ბლოკი	H-2	გამაფრთხილებელი ეტიკეტი

შენიშვნა: რეგულირებადი წინა სახელური უნდა მოტრიალდეს ზევითა მხარეს, რათა დაემიზონოს უკანა სახელურის ზედა ნაწილს.

▲ გაფრთხილება: რეგულირებადი წინა სახელური დაამაგრეთ მხოლოდ რბილ ქუროსა და ტარზე არსებულ ეტიკეტს შორის.

▲ გაფრთხილება: ხელსაწყო გამოყენება შეუძლებელია რეგულირებადი წინა სახელურის მჭიდროდ დამაგრების გარეშე. მხარზე ჩამოსაკიდი ღვედის დამაგრება

1. მოუშვით და მოხსენით ღვედის კაუჭზე არსებული ჭანჭიკი (ნახ. J1 და J2).
2. დაამაგრეთ გაუჭი ტარზე როგორც ნავენებია ნახ. J3 და დაამაგრეთ იგი ჭანჭიკით (ნახ. J4).

▲ გაფრთხილება: ღვედის კაუჭი მხოლოდ ბუდეს და რბილ ქუროს შორის დაამაგრეთ ხელსაწყო ტარზე.

გამოყენება

▲ გაფრთხილება: შეეცადეთ მსგავსი პროდუქტის გამოყენების გამოცდილებამ არ გამოიწვიოს თქვენი უფულისყურობა. დაიმახსოვრეთ რომ უფულისყურობამ წამის მეათედშიც კი შესაძლოა მოგიტანოთ სერიოზული ზიანი.

▲ გაფრთხილება: ყოველთვის მორგეთ უსაფრთხოების თვალსაფარი ან გვერდითა ეკრანების მქონე უსაფრთხოების სათვალე, სმენის დამცავი საშუალებასთან ერთად. ამ ინსტრუქციის უფულებეყოფამ შესაძლოა გამოიწვიოს სხვადასხვა სხეულის თვალში მოხვედრა და სხვა შესაძლო სერიოზული ზიანი.

▲ გაფრთხილება: არ გამოიყენოთ სხვა ნებისმიერი ნაწილი, რომელიც არაა რეკომენდირებული ამ ხელსაწყოს მწარმოებლის მიერ. არარეკომენდირებული ნაწილის გამოყენებამ შესაძლოა მოგაყენოთ სერიოზული ზიანი.

▲ გაფრთხილება: სერიოზული პერსონალური ზიანისგან თავის არიდების მიზნით მოხსენით აკუმულატორი ხელსაწყოს ტექნიკური სერვისის, გაწმენდის, მიმაგრების შეცვლის ან ნარჩენი ნივთიერების მოცილების დროს.

თქვენ შეგიძლიათ გამოიყენოთ ხელსაწყო ქვემოთ ჩამოთვლილი მიზნებისთვის:

გაკრეჭა: გამოიყენება ბალახის და სარეველას მოსაცილებლად კედლის, ღობის, ხის და სახაღვრების გასწვრივ.

მოთიბვა: გამოიყენება ისეთი ბალახის მოსათიბად, რომელიც რთულადაა მისადგომი ჩვეულებრივი სათიბი მანქანისთვის.

შენიშვნა: ხელსაწყოს გამოყენება შესაძლებელია მხოლოდ დანიშნულებისამებრ. სხვა ნებისმიერი სარგებლობა, მაგალითად ბუჩქის გაკრეჭა, ჩაითვლება როგორც არამიზნობრივი გამოყენების შემთხვევა.

აკუმულატორის ჩამაგრება/მოხსნა

შენიშვნა: უკეთესი ბალანსისთვის გამოიყენეთ BA3360/BA4200/BA4200T/BA5600T აკუმულატორები, გთხოვთ მიუსადაგეთ ზურგჩანთის ღვედები (BH1000).

სრულად დატენით პირველ ჯერზე სარგებლობამდე.

ჩამაგრებისთვის

გაუსწორეთ აკუმულატორის სამაგრები ბუდის ნასვრეტებს და დააწექით აკუმულატორს, სანამ არ გაიგებთ „წკაპ“ ხმას (ნახ. K2).

მოხსნისთვის

დააჭირეთ აკუმულატორის გამშვებ დილაკს და ამოიღეთ აკუმულატორი როგორც ნაჩვენებია ნახ. L-ზე.

ნახ. K1 და K2 ნაჩვენები ნაწილების აღწერა მოცემულია ქვევით:

K-1	BA3360/ BA4200/ BA4200T/ BA5600T აკუმულატორი	K-4	ჩამკვეტი
K-2	ადაპტერი	K-5	აკუმულატორის სამაგრი ნასვრეტი
K-3	ზურგანთის ღვედები		

ელექტრო სათიბის ჭერის წესი

▲ გაფრთხილება: ჩაიცვით შესაბამისად, რათა შეამციროთ დაზიანების რისკი ხელსაწყოთი სარგებლობისას. არ ჩაიცვით განიერი, ფრიალა ტანსაცმელი და ძვირფასეულობა. მოირგეთ თვალის და თვალის/სმენის დამცავი საშუალებები. ჩაიცვით სამუშაო გრძელი შარვალი, დახურული ფეხსაცმელი და ხელთათმანები. დაუშვებელია გეცვათ მოკლე შორტი, სანდლები ან იაროთ ფეხშიშველმა.

სათიბით სარგებლობამდე დაიჭირეთ ის ორივე ხელით, მოათავსეთ ერთი ხელი უკანა სახელურზე, ხოლო მეორე გამართული ხელი - წინა სახელურზე. (ნახ. M). დარწმუნდით რომ დგახართ მყარად ფეხზე, უსაფრთხოდ და იცავთ კრეჭვისას სწორ დისტანციას.

შენიშვნა: სათიბი თავაკი უნდა იყოს მიწის ზედაპირის პარალელური სათანადო მანძილზე დამორებით, მომხმარებლის გადახრის გარეშე.

ელექტრო სათიბის ჩართვა/გამორთვა ჩასართავად

დააწიეთ ჩამკვეტ ღილაკს, შემდეგ დააჭირეთ თითო ტრიგერს. ტრიგერზე დაწოლის სიძლიერე განსაზღვრავს სათიბი ძუის ბრუნვის სიჩქარეს. მეტი დაწოლა ნიშნავს მაღალ სიჩქარეს.

გამოსართავლად

გაუშვით ხელი ჩამკვეტ ღილაკს და ტრიგერს.

შენიშვნა: მოტორი მუშაობს მხოლოდ მაშინ, როცა ორივე, ჩამკვეტი ღილაკი და ტრიგერი

დაჭერილ მდგომარეობაშია.

▲ გაფრთხილება: ყოველთვის მოხსენით აკუმულატორი ხელსაწყოს შესვენებისას ან სამუშაოს დამთავრებისთანავე.

ელექტრო სათიბის გამოყენების წესი

▲ გაფრთხილება: სერიოზული პერსონალური ზიანისგან თავის არიდების მიზნით ყოველთვის მოირგეთ უსაფრთხოების თვალსაფარი ან სათვალე ხელსაწყოთი სარგებლობისას. გამოიყენეთ სახის ნიღაბი ან მტერის საწინააღმდეგო ნიღაბი მტერიან ადგილას მუშაობისას.

გაასუფთავეთ გასათიბი არე მუშაობის დაწყებამდე. მოაცილეთ ყველა ობიექტი როგორცაა ქვევით, დამტვრეული მინა, ლურსმანი, სადენი ან ზაწარი, რომელიც შესაძლოა ჩაყვას ან დაეხვიოს ხელსაწყოს მთიბავ ნაწილს. მთარიდეთ სამუშაო ადგილს ბავშვები, სხვა პირები და შინაური ცხოველები. დარწმუნდით რომ ბავშვები, სხვა ადამიანები ან შინაური ცხოველები იმყოფებიან მინიმუმ 15 მ მოშორებით; არსებობს რისკი რომ უცხო სხეულები მაღალი სიჩქარით გვერდზე მდგომი პირებისკენ გაიტყორცნონ. გვერდზე მდგარი პირებისთვის რეკომენდირებულია თვალის დამცავი საშუალებების გამოყენება. თუ თქვენ სხვა პიროვნება მოგიახლოვდათ, დაუყოვნებლივ გააჩერეთ მოტორი და სათიბი მოწყობილობა.

ყოველი გამოყენების წინ შეამოწმეთ ნაწილები დაზიანებაზე/ცვლათაზე

შეამოწმეთ სათიბის თავაკი, დამცავი ეკრანი და რეგულირებადი წინა სახელური, შეცვალეთ ნაწილები, რომლებიც გაზარულია, გაღუნულია, აქვს შეცვლილი ფორმა ან დაზიანებულია სხვაგვარად.

დამცავ ეკრანის კიდესთან მდებარე მთიბავის დანა შესაძლოა დაჩლუნდეს დროთა განმავლობაში რეკომენდირებულია მისი გალესვა პერიოდულად ქლიბის საშუალებით ან ახალი დანის დამონტაჟება.

▲ გაფრთხილება: ყოველთვის გამოიყენეთ ხელთათმანები, როდესაც ამონტაჟებთ დამცავ ეკრანს ან უტარებთ სერვისს დანას. ფრთხილად მოეპყარით დანას ეკრანზე და დაიცავით ხელი გაჭრისგან.

KA

ყოველი გამოყენების შემდეგ გაასუფთავეთ სათიბი.

▲ ყურადღება: საჰაერობის დახშობა ხელს უშლის ჰაერის შედინებას მოტორში და გამოიწვევს მის გადახურებას და დაზიანებას.

გამოიყენეთ მხოლოდ რბილი საპონი და ნოტიო ქსოვილი ხელსაწყოს გასაწმენდად. არასდროს დაუშვით ხელსაწყოში სითხის შეღწევა; არასდროს მოათავსოთ ხელსაწყო რაიმე ნაწილი სითხეში.

- ყოველთვის გაათავისუფლეთ მოტორის საჰაეროები ნარჩენებისგან.

▲ გაფრთხილება: არასდროს გამოიყენოთ წყალი თქვენი სათიბის გასაწმენდად. მოერიდეთ გამხსნელების გამოყენებას ხელსაწყოს პლასტმასის ნაწილების გაწმენდისას. უმეტესობა პლასტმასები ზიანდება მათზე გამხსნელების გამოყენების შედეგად. გამოიყენეთ სუფთა ტილო ტალახის, მტვრის, ზეთის, ცხიმის და სხვ. მოსაცილებლად.

რჩევები თიბვის საუკეთესო რეზულტატებისთვის (ნახ. N)

- მჭრელი მიმაგრების სწორი მდებარეობის კუთხე არის მიწის პარალელური.
- არ დაატანოთ ძალა სათიბს. მიეცით საშუალება თვის წვერს მოთიბოს (განსაკუთრებით კედლებთან ახლოს). წვერზე მეტით თიბვის შემთხვევაში შემცირდება ხელსაწყოს ეფექტურობა და შესაძლოა გადაიტვიტროს მოტორი.
- თიბვის სიმაღლე დამოკიდებულია სათიბი თვის სიმაღლეზე გაზონის ზედაპირიდან.
- 20 სმ-ზე მეტი სიმაღლის ბალახი უნდა გაითიბოს ზევიდან ქვევით მიმდევრობით მცირე ბიჯებით, რათა თავიდან აიცილოთ თვის გაცევა ან მოტორის ზიმი.
- ნელა ამოძრავებთ ხელსაწყო სათიბი არის შიგნით და გარეთ, სათიბი თავის სასურველ სიმაღლეზე პოზიციონირებით. მსგავსი მოძრაობა შესაძლოა იყო ზევით-ქვევით ან გვერდზე. მცირე სიგრძის მოთიბვა იძლევა უკეთეს რეზულტატებს.
- გაითიბეთ მხოლოდ როცა ბალახი და სარეველა მშრალია.
- მავთულის ან პიკეტაინ ღობეს შეუძლია გამოიწვიოს დამატებითი ცვეთა ან თვის მოტყდომა. ქვის და აგურის კედლებმა, ბურდიურებმა ან ხემ შეიძლება სწრაფად გაცივოს თუ.

- მოერიდეთ ხეებს და ბუჩქებს. ხის მერქანი, ხის ნაკეთობები, კიდები და ღობის ბოძები ადვილად დაზიანდება თვის მიერ.
- ნახ. N ნაჩვენები ნაწილების აღწერა მოცემულია ქვევით:

N-1	საუკეთესო სათიბი არე	N-2	სახიფათო სათიბი არე
-----	----------------------	-----	---------------------

სათიბი თვის სიგრძის ცვლილება

სათიბის თავაკი აძლევს მომხმარებელს საშუალებას გაზარდოს სათიბის თვის სიგრძე მოტორის გაუჩრებლად. როდესაც თუ იცვითება და წყდება, დამატებითი თვის სიგრძის გამოშვება შესაძლებელია კოჭის დამჭერის მიწაზე რბილი დარტყმით ხელსაწყოში სარგებლობისას (ნახ. O).

შენიშვნა: თვის გამოშვება მით უფრო გართულდება, რაც ზვიაზე მისი სიგრძე მოკლდება.

▲ გაფრთხილება: არ მოხსნათ ან შეცვალოთ თვის საჭრელი დანის კონსტრუქცია. საჭრელი თვის დიდი სიგრძე გამოიწვევს მოტორის გადახურებას, რამაც შესაძლოა მოგაყენოთ სერიოზული ზიანი.

თვის გამოცვლა

შენიშვნა: ყოველთვის გამოიყენეთ რეკომენდირებული ნეილონის სათიბი თუა, რომლის დიამეტრი არ აღემატება 2.4 მმ-ს. სხვა ტიპის თვის გამოყენებამ შესაძლოა გამოიწვიოს სათიბის გადახურება და დაზიანება.

▲ გაფრთხილება: არასოდეს გამოიყენოთ მავთული, სხვა მეტალის ჩანართიანი ზონარი ან თოკი და სხვ. ესენი შესაძლოა გაწყედოს და წარმოქმნას სახიფათო გამოტყორცნილი სხეულები.

ელექტრო სათიბი აღჭურვილია მეწინავე თვის დახვევის ავტომატური სისტემით. სათიბი თვის დახვევა კოჭაზე შესაძლებელია უზრალოდ დილაკზე დაჭერით. სრული კოჭის

დახვევა შესაძლებელია 12 წამში. მოერიდეთ დამხვევი სისტემის ხშირ გამოყენებას, რათა შეამციროთ მოტორის დაზიანების რისკი.

1. მოხსენით აკუმულატორი.
2. მოხსენით დარჩენილი თუა საჭიროების

შემთხვევაში. უბრალოდ ამოიღეთ ხელით.

3. მოჭერით სატიბი ძუის ერთი ნაწერი 4 მ სიგრძით. ჩასვით ძუა ხვერელში (ნახ. P) და შეიყვანეთ შიგნით, სანამ ძუის ბოლო არ გამოვა მოპირდაპირე ხვერელიდან.

ნახ. P ნაჩვენებია ნაწილების აღწერა მოცემულია ქვევით:

P-1	სათიბი ძუა	P-3	ხვერელი
P-2	ქვედა ხუფი		

4. მოხსენით აკუმულატორი, თუ იგი დამაგრებული სათიბზე წინა ნაბიჯის გათვალისწინებით.
5. ამოქაჩეთ ძუა მეორე მხრიდან, სანამ სათიბის თავის ორივე მხარეს თანაბარი რაოდენობის ძუა არ გამოჩნდება (ნახ. Q).
6. დამაგრეთ აკუმულატორი ელექტრო სათიბზე. დააჭირეთ და დაიჭირეთ ძუის ჩატვირთვის ღილაკს, რათა ჩართოთ ძუის დამხვევი მოტორი. ძუა დაეხვევა სათიბის თავს განუწყვეტლივ (ნახ. R).
7. დააკვირდით დარჩენილ ძუის სიგრძეს ყურადღებით. მოემზადეთ ღილაკის გასაშვებად როგორც კი დაახლოებით 18 სმ სიგრძის ძუა დარჩება ორივე მხარეს. მცირე ხნით დააწყეთ ჩატვირთვის ღილაკს, რათა დაარეგულით რომ დაახლოებით 14 სმ სიგრძის ძუა დარჩეს ორივე მხარეს.
8. დააჭირეთ სათიბის თავს, რათა მანუალურად გამოწიოთ ძუა და შემოაწიოთ სათიბის ძუის ჯეროვანი დახვევა.

შენიშვნა: თუ ძუა შემთხვევით ჩაითრია სათიბის თავაკმა, მოხსენით თავი და მოქაჩეთ ძუა კოჭიდან. მიყევით ამ მომხმარებლის ინსტრუქციის სექციას „ხელახლა დაახვიეთ სათიბი ძუა“, რათა ხელახლა ჩატვირთოთ ძუა.

ხელახლა დაახვიეთ სათიბი ძუა

როდესაც მჭრელი ძუა წყდება და სათიბის თავაკზე დაჭერით ძუა არ გამოდის, მიყევით შემდეგ ინსტრუქციებს, რათა მოხსნათ

დარჩენილი სათიბიძუა და ხელახლა ჩატვირთოთ:

1. დააჭირეთ სათიბის თავზე არსებულ ორ გამშვებ ღილაკს და მოხსენით სათიბის თავი ამოქაჩვით (ნახ. S-1 და S-2).
2. მოხსენით სათიბი ძუა თავს და ჩასვით ზამზარა ქვედა ხუფის ნასვრეტში (ნახ. T).
3. ერთი ხელით დაიჭირეთ სათიბი, მეორეთი - ქვედა ხუფი და გაუსწორეთ ქვედა ხუფის ნასვრეტები გამშვებ ღილაკებს. ჩასვით ქვედა ხუფი, სანამ იგი არ ჩაიკეტება წკაპ ხმით (ნახ. U).
4. მიყევით ინსტრუქციებს სექციაში „ძუის გამოცვლა“, რათა ხელახლა დაახვიოთ ძუა.

ნახ. S1, T და U ნაჩვენებია ნაწილების აღწერა მოცემულია ქვევით:

S1-1	ქვედა ხუფი	U-1	გამშვები ღილაკი
S1-2	გამშვები ღილაკი	U-2	ნასვრეტი
T-1	ზამზარა		

სათიბი თავაკის გამოცვლა

⚠ გაფრთხილება: თუ თავი მორყევა საკუთარ ადგილზე დამაგრების შემდეგ, დაუყოვნებლივ გამოცვალეთ ეს ნაწილი. არასოდეს გამოიყენოთ ხელსაწყო მორყეულად დამაგრებული მთიბავი ნაწილით. გამოცვალეთ გაზარული, დაზიანებული ან გაცვეთილი თავი დაუყოვნებლივ, მიუხედავად იმისა რამდენად ზედაპირული შეიძლება სჩანდეს ზზარები. მსგავსი ნაწილები შესაძლოა დაიმსხვრეს მაღალ ბრუნებზე და მოგაყენოთ სერიოზული ზიანი.

სათიბის თავაკის მოხსნა

1. მოხსენით აკუმულატორი ელექტრო სათიბს.

- დაჭირვით სათიბის თავზე არსებულ გამშვებ ღილაკებს და მოხსენით ქვედა ხუფი ამოქაჩვით (იხ. ნახ. S1 და S2).
- მოხსენით ძუა სათიბის თავს (ნახ. V).
- საჭიროებისამებრ კოჭას მოხსენით ზამზარაც. შეინახეთ ის ხელახალი აწყობისთვის.
- ჩაცივით ხელთათმანები ერთი ხალით დაიჭირეთ კოჭა სტაბილიზაციისთვის და მეორეთი ქანჩის გასადები რათა მოხსნათ ქანჩი საათის ისრის საწინააღმდეგო მიმართულებით დატრიალებით (ნახ. W).
- მოხსენით ქანჩი, შუასადები, კოჭა და ზედა ხუფი მოტორის ლილვს (ნახ. X).
- გამოიყენეთ ბრტყელტუჩა მზამზარავი საჩერებელი რგოლის მოსახსნელად. მოხსენით ვენტოლატორი (ნახ. Y).
- შეცვალეთ ახალი სათიბი თავით და დამაგრეთ ის შემდეგი ნაბიჯების მიდევნებით.

ნახ. W, X და Y ნაჩვენები ნაწილების აღწერა მოცემულია ქვევით:

W-1	დარტყმითი ქანჩსახრახნი	X-4	ქანჩი
X-1	ზედა ხუფი	Y-1	ვენტილ-ატორი
X-2	კოჭა	Y-2	მზამზარავი საჩერებელი რგოლი
X-3	შუასადები		

ახალი სათიბის თავაკის დამონტაჟება

- გაუსწორეთ გასადების ნასვრეტი ვენტოლატორში მოტორის ლილვის შლიცს და ჩამაგრეთ მოტორი თავის ადგილას (ნახ. Z).
- დამაგრეთ მზამზარავი საჩერებელი რგოლი, ზედა ხუფი, კოჭა და შუასადები ამ მიმდევრობით. გამოიყენეთ დარტყმითი ქანჩსახრახნი ქანჩის მოსაჭერად.

- მიყევით მითითებებს ამ მომზარებლის ინსტრუქციის სექციაში „ხელახლა დაახვიეთ სათიბი ძუა“, რათა დამონტაჟოთ ქვედა ხუფი.
- მიყევით ინსტრუქციებს სექციაში „ძუის გამოცვლა“, რათა ხელახლა დაახვიოთ ძუა.
- ჩართეთ ხელსაწყო რათა შეამოწმოთ სათიბის სწორი მუშაობა. თუ ეს ასე არაა, ხელახლა ააწყვეთ იგი ზევით მოცემული ინსტრუქციების მიდევნებით.

ნახ. Z ნაჩვენები ნაწილების აღწერა მოცემულია ქვევით:

Z-1	შლიცი	Z-2	გასადების ნასვრეტი
-----	-------	-----	--------------------

ექსპლუატაცია

▲ გაფრთხილება: ტექნიკური სერვისისას გამოიყენეთ მხოლოდ იდენტური სათადარიგო ნაწილები. გაუკეთეთ ხელსაწყო რეგულარული შემოწმება და ინსპექტირება. ხელსაწყო უსაფრთხოდ და გამართულად მუშაობისთვის საჭიროა მისი ყველა შეკეთება და ნაწილის შეცვლა შესრულდეს კვალიფიციური სერვისის ტექნიკოსის მიერ.

▲ გაფრთხილება: აკუმულატორიანი ელექტრული ხელსაწყოების ქსელში შეერთება არ არის აუცილებელი; ისინი ყოველთვის მუშა მდგომარეობაში არიან. სერიოზული პერსონალური ზიანისგან თავის არიდების მიზნით მიიღეთ დამატებითი ზომები და გამოიჩინეთ სიფრთხილე შეკეთებისას, სერვისის ან სათიბი და სხვა ნაწილების შეცვლისას.

▲ გაფრთხილება: სერიოზული პერსონალური ზიანისგან თავის არიდების მიზნით მოხსენით აკუმულატორი ხელსაწყო ტექნიკური სერვისის, გაწმენდის, ნაწილების შეცვლის ან ნარჩენი ნივთიერების მოცილების დროს.

ხელსაწყო გაწმენდის წესი

- გაწმინდეთ ხელსაწყო ნოტიო ქსოვილით და რბილი სარეცხი საშუალებით.

- არ გამოიყენოთ ძლიერი გამწმენდი საშუალებები პლასტმასის ბუდეზე ან სახელოურზე. ისინი შესაძლოა დაზიანდეს ისეთი არომატიზატორებით, როგორცაა ნაძვის ან ლიმონის ზეთი, ან ნავთის ტიპის გამხსნელი საშუალებებით. სინესტემ ასევე შეიძლება შექმნას ელექტრული შოკის საფრთხე. რბილი, მშრალი ქსოვილით მოწმინდეთ ხელსაწყოს ნებისმიერი ნესტი,
- გამოიყენეთ მცირე ფუნჯი ან პატარა მტვერსასრუტის ჰაერის ჭავლი რათა გაწმინდოთ ხელსაწყოს საპეროები ბუდის უკანა მხარეს.

ძუის საჭრელი დანის გალესვა

▲ გაფრთხილება: ყოველთვის დაიცავით თქვენი ხელები დამცავი ხელთათმანებით, როცა ძუის საჭრელ დანას უტარებთ ნებისმიერ სერვისს.

1. მოხსენით ძუის საჭრელი დანა დამცავ ეკრანს.
2. გამოიყენეთ მხედველობის დამცავი დამაშავებელი და ხელთათმანები და გამოიჩინეთ სიფრთხილე არ დაიზიანოთ თავი.
3. მჭიდროდ დაამაგრეთ დანა გირაგში.
4. ფრთხილად გაქლიბეთ დანის მჭრელი პირები ქლიბით ან სალესი ქვით, პირველადი მჭრელი დანის დახრის კუთხის შენარჩუნებით.
5. მოათავსეთ დანა დამცავ აკრანზე და დაამაგრეთ ორი ხრახნით.

ხელსაწყოს შენახვის წესი

- მოხსენით აკუმულატორი ელექტრო სათიბს გამოყენების შემდეგ.
- საფუძვლიანად გაწმინდეთ ხელსაწყო შენახვამდე.
- შეინახეთ ხელსაწყო მშრალ, კარგად განიავებად ადგილას ჩაკეტილ და მაღალ სათავსოში, ბავშვებისთვის მიუწვდომელ ადგილას. არ შეინახოთ ხელსაწყო სასუქის, ბენზინის და სხვა ქიმიური ნივთიერებების სიახლოვეს.

გარემოს დაცვა



არ მოახდინოთ ელექტრული მოწყობილობის, აკუმულატორის დამტენის და მისი ბატარეების მოთავსება საყოფაცხოვრებო ნაგავში!

ევროკავშირის 2012/19/EU რეგულაციის მიხედვით, ელექტრული და ელექტრონული ხელსაწყოები, რომლებიც აღარ გამოიყენება, ასევე 2006/66/EC რეგულაციის მიხედვით, დევექტური ან გამოყენებული აკუმულატორები/ბატარეები, უნდა შეგროვდეს ცალკეულად.

ელექტრული მოწყობილობების ნაგავსაყრელოზე მოთავსებისას, სახიფათო ნარჩენები შესაძლოა გაიჟონოს გრუნტის წყლებში და მოხვდეს საკვებ ჯაჭვში, რამაც შესაძლოა დააზიანოს თქვენი ჯანმრთელობა და კეთილდღეობა.

გაუმართაობის დიაგნოსტიკა

პრობლემა	მიზეზი	გადაჭრის გზა
სათიბი არ ირთვება	<ul style="list-style-type: none"> ■ აკუმულატორი არ არის შეერთებული სათიბზე. ■ სათიბსა და აკუმულატორს შორის არ არის ელექტრული კონტაქტი. ■ აკუმულატორი დაცლილია. ■ ჩამკეტი ღილაკი და ტრიგერი ერთდროულად არაა აქტივირებული. 	<ul style="list-style-type: none"> ■ დაამაგრეთ აკუმულატორი სათიბ ხელსაწყოზე. ■ მოხსენით აკუმულატორი, შეამოწმეთ კონტაქტები და კვლავ მოათავსეთ იგი უკან. ■ დატენეთ აკუმულატორი. ■ დააჭირეთ ჩამკეტ ღილაკს და გააჩერეთ ამ მდგომარეობაში, შემდეგ დააჭირეთ თითო ტრიგერს რათა ჩართოთ სათიბი.
სათიბი ითიშება მუშაობის პროცესში.	<ul style="list-style-type: none"> ■ დამცავი ეკრანი არაა დამონტაჟებული სათიბზე, რის გამოც სათიბი ძუა არის უზომოდ გრძელი და მოტორი იტვირთება. ■ მძიმე სათიბი ძუა არის გამოყენებული. ■ მოტორის ტარი ან სათიბის თავი ზალახშია გახლართული. ■ მოტორი არის გადატვირთული. ■ აკუმულატორი ან სათიბი ზედმეტად გაცხელებულია. ■ აკუმულატორი მოხსნილია ხელსაწყოდან. ■ აკუმულატორი დაცლილია. 	<ul style="list-style-type: none"> ■ მოხსენით აკუმულატორი და დაამონტაჟეთ დამცავი ეკრანი სათიბზე. ■ გამოიყენეთ სტანდარტული ნიელონის სათიბი ძუა, არაუმეტეს 2.4 მმ დიამეტრის სისქით, ■ გამორთეთ სათიბი, მოხსენით აკუმულატორი, მოაცილეთ ზალახი მოტორის სახელურს და სათიბის თავაკს. ■ მოაცილეთ სათიბის თავაკი ზალახს, მოტორი გააგრძელებს ჩვეულ მოშაობას როგორც კი დატვირთვა მოიხსნება. თიბვის პროცესში ჩაწიეთ და ამოწიეთ სათიბის თავაკი ზალახიდან და არ მოჭრათ 20 სმ-ზე მეტი სიგრძის ზალახი ერთ ჯერზე. ■ აცალეთ სათიბს ან აკუმულატორს გაგრილება 67°C-ის ქვევით. ■ ხელახლა ჩასვით აკუმულატორი. ■ დატენეთ აკუმულატორი.

პრობლემა	მიზეზი	გადაჭრის გზა
სათიბის თავაკი არ უშვებს ძუას.	<ul style="list-style-type: none"> ■ მოტორის ტარი ან სათიბის თავი ბალახშია გახლართული. ■ კოჭის დამჭერზე არასაკმარისი ოდენობის ძუა არის დარჩენილი. ■ სათიბის თავაკი ჭუჭყიანია. ■ ძუა გახლართულია კოჭის დამჭერში. ■ ძუა საკმარისზე მოკლეა. 	<ul style="list-style-type: none"> ■ გამორთეთ სათიბი, მოხსენით აკუმულატორი, მოაცილეთ ბალახი მოტორის სახელურს და სათიბის თავაკს. ■ მოხსენით აკუმულატორი და შევალეთ სათიბი ძუა; მიჰყევით ინსტრუქციაში მოცემულ სექციას „ძუის გამოცვლა“. ■ მოხსენით აკუმულატორი და გაწმინდეთ კოჭის დამჭერი და კოჭის ფუძე. ■ მოხსენით აკუმულატორი, გაშალეთ და ხელახლა დაახვიეთ სათიბი ძუა კოჭის დამჭერზე; მიჰყევით ინსტრუქციაში მოცემულ სექციას „ძუის გამოცვლა“. ■ მოხსენით აკუმულატორი და მოჰაჩეთ ძუის წვერებზე, თან შიგადაშიგ დააწეეთ და აუშვით ხელი სათიბის თავაკს.
ბალახი ეხვევა სათიბის თავაკს და მოტორის ბუდეს.	<ul style="list-style-type: none"> ■ მაღალი ბალახის ჭრა ძირში. 	<ul style="list-style-type: none"> ■ მოჭერით მაღალი ბალახი წვეროდან დაბლა, არ მოჭრათ 20 სმ-ზე მეტი სიგრძის ბალახი ერთ ჯერზე, რათა არიდოთ თავი ბალახის დახვევას.
დანა არ ჭრის ძუას.	<ul style="list-style-type: none"> ■ დამცავ ეკრანის კიდესთან მდებარე სათიბის დანა დაჩლუნგდა. 	<ul style="list-style-type: none"> ■ გალესეთ სათიბის დანა ქლიბის საშუალებით ან ახალი დანა დაამონტაჟეთ.
ბზარები სათიბის თავაკზე ან კოჭის დამჭერზე, რომელიც ძვრება კოჭის ფუძესთან ერთად.	<ul style="list-style-type: none"> ■ სათიბის თავაკი გაცვეთილია. 	<ul style="list-style-type: none"> ■ გამოცვალეთ სათიბი თავაკი დაუყონებლივ, შეაცვლევინეთ კვალიფიციურ სერვისის ტექნიკოსს.
შეცვლისას ძუა არ მაგრდება სათიბის თავაკში ჯეროვნად.	<ul style="list-style-type: none"> ■ კოჭის დამჭერის ძუის დასახვევი არ უსწორდება სამაგრ ნახვრეტებს კოჭის ფუძეზე. ■ ძუა არ არის სწორად ჩასმული ხვრელში არსებულ სამაგრ სიღრმეში. 	<ul style="list-style-type: none"> ■ დაატრიალეთ კოჭის დამჭერი ისრით მიმართულებით, რათა გაუსწოროთ კოჭის დამჭერზე არსებული ძუა კოჭის ფუძეზე არსებულ სამაგრ სიღრმეებს. ■ ჯერ გაუსწორეთ ძუა ნახვრეტებს, შემდეგ ჩასვით იგი ნახვრეტი მოთავსებულ სამაგრ ხვრელში.

გარანტია

EGO-ს გარანტიის მომსახურების წესი

გთხოვთ ეწვიოთ ვებ-გვერდს egopowerplus.com, რათა მიიღოთ EGO-ს საგარანტიო მომსახურების სრული დადგენილებები და პირობები.

PROČITAJTE SVA UPUTSTVA!



PROČITAJTE I SHVATITE PRIRUČNIK SA UPUTSTVIMA

⚠ UPOZORENJE: Osobe sa elektronskim uređajima, poput pejsmejkera, treba da konsultuju svog lekara (svoje lekare) pre upotrebe ovog proizvoda. Rukovanje električnom opremom u neposrednoj blizini srčanog pejsmejkera moglo bi da izazove smetnje ili otkazivanje pejsmejkera.

⚠ UPOZORENJE: Da bi se osigurala sigurnost i pouzdanost, sve popravke i zamene treba da radi kvalifikovani servisni tehničar.

SIGURNOSNI SIMBOLI

Svrha sigurnosnih simbola je da vam skrenu pažnju na moguće opasnosti. Sigurnosni simboli i objašnjenja uz njih zaslužuju vašu pognu pažnju i shvatanje. Simboli upozorenja, sami po sebi, ne eliminišu nikakve opasnosti. Uputstva i upozorenja koja oni daju nisu zamena za odgovarajuće mere sprečavanja nezgoda.

⚠ UPOZORENJE: Obavezno pročitajte i shvatite sva sigurnosna uputstva u ovom Priručniku za rukovaoca, obuhvatajući i sve simbole sigurnosnih upozorenja poput „**OPASNOST**“, „**UPOZORENJE**“ i „**OPREZ**“ pre korišćenja ovog alata. Nepridržavanje svih dolenađenih uputstava može da dovede do strujnog udara, požara i/ili ozbiljne telesne povrede.





ZNAČENJE SIMBOLA

⚠ SIMBOL SIGURNOSNOG UPOZORENJA: Ukazuje na **OPASNOST**, **UPOZORENJE** ili **OPREZ**. Može se koristiti zajedno sa drugim simbolima ili piktogramima.

SIGURNOSNA UPUTSTVA

Ova stranica prikazuje i opisuje sigurnosne simbole koji mogu da se pojave na ovom proizvodu. Pročitajte, shvatite i sledite sva uputstva na mašini pre no što pokušate da je sklopite i da rukujete njom.

	Sigurnosno upozorenje	Označava potencijalnu opasnost od telesne povrede.
	Pročitajte Priručnik za rukovaoca	Da bi smanjio rizik od povreda, korisnik pre korišćenja ovog proizvoda mora pročitati i shvatiti priručnik za rukovaoca.
	Nosite zaštitu za oči	Uvek nosite sigurnosne naočare sa bočnim štiznicima ili po potrebi masku za celo lice kad rukujete ovim proizvodom.
	Nosite zaštitu za uši	Uvek nosite zvučne barijere (čepove za uši ili zaštitne slušalice) da biste zaštitili sluh.
	Širina košenja	Maks. širina sečenja trimera sa strunom
	Prečnik strune	Prečnik najlonske strune za sečenje
	Nosite zaštitu za glavu	Nosite odobreni sigurnosni šlem da biste zaštitili glavu.
	Nosite zaštitne rukavice	Zaštitite ruke rukavicama kada rukujete sečivom ili štitnikom sečiva. Radne rukavice koje se ne kižu poboljšavaju hvat i štite šake.
	Nosite sigurnosnu obuću	Nosite sigurnosnu obuću koja se ne kiže kada koristite ovaj uređaj.
	Čuvajte se odbijanja noža	Upozorite rukovaoca na opasnosti od odbijanja noža.
	Držite prolaznike podalje zbog odbijenih predmeta	Izbačeni predmeti se mogu odbiti i izazvati telesnu povredu ili oštetiti imovinu. Osigurajte da drugi ljudi i kućni ljubimci budu udaljeni od trimera kada je u upotrebi.
	Držite prolaznike podalje	Osigurajte da drugi ljudi i kućni ljubimci budu udaljeni najmanje 15 m od trimera kada je u upotrebi.
	Bez okruglog noža	Ne instalirajte okrugle noževe za sečenje.
	Ne izlažite kiši	Ne koristite po kiši niti ostavljajte napolju dok pada kiša.

	CE	Ovaj proizvod je u skladu sa primenivim EC direktivama.
	WEEE	Otpadne električne proizvode ne bi trebalo odlagati zajedno sa otpadom iz domaćinstva. Odnosite ih u ovlašćeni pogon za reciklažu.
	Buka	Garantovan nivo jačine zvuka. Emisija buke u okruženju prema Direktivi Evropske zajednice.
V	Volt	Voltaža
	Jednosmerna struja	Tip ili karakteristika struje
n_0	Brzina bez opterećenja	Rotaciona brzina, bez opterećenja
min ⁻¹	U minutu	Obrtaji u minutu

OPŠTA SIGURNOSNA UPOZORENJA ZA ELEKTRIČNI ALAT

▲ UPOZORENJE: Pročitajte sva sigurnosna upozorenja, uputstva, ilustracije i specifikacije priložene uz ovaj električni alat. Nepridržavanje svih dolenađenih uputstava može da dovede do strujnog udara, požara i/ili ozbiljne povrede.

Sačuvajte sva upozorenja i uputstva za buduću upotrebu.

Pojam „električni alat“ u upozorenjima označava električni alat (sa žicom) koji se uključuje u utičnicu ili električni alat (bežični) na baterije.

BEZBEDNOST NA RADNOM PODRUČJU

- Održavajte radno područje čistim i dobro osvetljenim. Na pretrpanim ili mračnim područjima su veće šanse da dođe do nezgoda.
- Ne koristite električne alate u eksplozivnim atmosferama, kao na primer u prisustvu zapaljivih tečnosti, gasova ili prašine. Električni alat stvara varnice koje mogu zapaliti prašinu ili isparenja.
- Držite decu i prolaznike podalje dok koristite električni alat. Ako vam neko odvraća pažnju, možete izgubiti kontrolu.

LIČNA BEZBEDNOST

- **Ostanite u pripravnosti, pazite šta radite i koristite zdrav razum kada koristite električni alat. Ne koristite električni alat kada ste umorni ili pod uticajem droga, alkohola ili lekova.** Trenutak nepažnje kada koristite električni alat je dovoljan da izazove ozbiljne telesne povrede.
 - **Koristite ličnu zaštitnu opremu. Uvek nosite zaštitu za oči.** Zaštitna oprema poput maske za prašinu, radnih cipela koje se ne kliču, šlema ili zaštite sluha će, kada se koristi za odgovarajuće uslove, smanjiti telesne povrede.
 - **Sprečite slučajno pokretanje. Osigurajte da prekidač bude u isključenom položaju pre povezivanja na izvor napajanja i/ili bateriju, podizanja ili nošenja alata.** Nošenje električnih alata sa prstom na prekidaču ili uključivanje u utičnicu električnih alata čiji prekidač je u uključenom položaju priziva nezgode.
 - **Uklonite sve ključeve za podešavanje pre uključivanja električnog alata.** Ključ koji ostane pričvršćen za rotacioni deo električnog alata može da izazove telesnu povredu.
 - **Ne presežite. U svakom trenutku održavajte pravilan položaj nogu i ravnotežu.** To omogućava bolju kontrolu električnog alata u neočekivanim situacijama.
 - **Prikladno se obucite. Ne nosite labavu odeću niti nakit. Držite kosu, odeću i rukavice dalje od pokretnih delova.** Labava odeća, nakit ili duga kosa mogu da se zakače pokretnim delovima.
 - **Ako su priloženi uređaji za povezivanje delova za izbacivanje i prikupljanje prašine, osigurajte da oni budu povezani i da se pravilno koriste.** Upotreba uređaja za prašinu može da smanji opasnosti koje izaziva prašina.
 - **Ne dozvolite da zbog poznavanja koje ste stekli kroz čestu upotrebu alata postanete samozadovoljni i ignorirate principe bezbednosti alata.** Nemarni postupak može da izazove ozbiljnu povredu u deliću sekunde.
- ### UPOTREBA I ODRŽAVANJE ELEKTRIČNOG ALATA
- **Ne silite električni alat. Koristite odgovarajući električni alat za ono što radite.** Odgovarajući električni alat uradiće posao bolje i bezbednije onom brzinom za koju je dizajniran.
 - **Ne koristite električni alat ako ga prekidač ne uključuje i isključuje.** Svaki električni alat koji se ne može kontrolisati prekidačem je opasan i mora se popraviti.

- **Skladištite isključene električne alate van domašaja dece i ne dozvolite osobama koje nisu upoznate sa ovim električnim alatom ili ovim uputstvom da rukuju električnim alatom.** Električni alat je opasan u rukama nekvalifikovanih korisnika.
- **Održavajte električni alat i dodatke. Proverite pravilno poravnanje ili spojeve pokretnih delova, lomljenje delova i sva druga stanja koja mogu da utiču na rad električnog alata. Ako je oštećen, odnesite električni alat na popravku pre upotrebe.** Mnoge nezgode su izazvane loše održanim električnim alatom.
- **Održavajte alate koji seku oštrim i čistim.** Pravilno održavani alati za sečenje sa oštrim ivicama za sečenje je ređe zapetljavaju i lakše se kontrolišu.
- **Koristite električni alat, dodatke, delove itd. u skladu sa ovim uputstvom, uzimajući u obzir radne uslove i rad koji treba obaviti.** Korišćenje električnog alata za rad drugačiji od predviđenog moglo bi da dovede do opasne situacije.
- **Održavajte drške i površine koje hvatate suvim, čistim i bez ulja i masnoće.** Klizave drške i površine koje hvatate ne omogućavaju bezbedno rukovanje i kontrolu alata u neočekivanim situacijama.
- **Držite kablove podalje od radnog područja alata.** Tokom rada, kablovi mogu biti skriveni od pogleda i alat ih može nehotično oštetiti.

UPOTREBA I ODRŽAVANJE ALATA NA BATERIJE

- **Punite samo punjačem koji navodi proizvođač.** Punjač koji je prikladan za jedan tip baterije može da stvori opasnost od požara kad se koristi sa drugom baterijom.
- **Koristite električni alat samo sa konkretno imenovanim baterijama.** Upotreba bilo kakvih drugih baterija može da stvori rizik od povrede i požara.
- **Kad se baterija ne koristi, držite je dalje od drugih metalnih predmeta, poput spajalica, novčića, ključeva, eksera, vijaka ili drugih malih metalnih predmeta koji mogu da naprave spoj jednog terminala sa drugim.** Kratak spoj terminala baterije može da izazove opekotine ili požar.
- **U ekstremnim uslovima može doći do curenja tečnosti iz baterije; izbegavajte kontakt sa njom. Ako dođe do nehotičnog kontakta, isperite vodom. Ako tečnost dođe u kontakt sa očima, takođe potražite i medicinsku pomoć.** Tečnost iz baterije može da izazove iritaciju ili opekotine.

- **Ne koristite bateriju ili alat koji su oštećeni ili modifikovani.** Oštećene ili modifikovane baterije mogu da ispolje nepredvidivo ponašanje, dovodeći do požara, eksplozije ili rizika od povrede.
- **Ne izlažite bateriju ili alat vatri ili previsokoj temperaturi.** Izlaganje vatri ili temperaturi iznad 100 °C može izazvati eksploziju.
- **Pratite sva uputstva za punjenje i ne puniti bateriju ili alat izvan temperaturnog opsega navedenog u uputstvima.** Punjenje na nepravilan način ili na temperaturama izvan navedenog opsega može da ošteti bateriju i poveća rizik od požara.

SERVIS

- **Ondesite električni alat na servisiranje kod kvalifikovanog serviseru koji će koristiti samo identične rezervne delove.** To će osigurati da bezbednost električnog alata bude održana.
- **Nikad ne servisirajte oštećene baterije.** Servisiranje baterija treba da radi samo proizvođač ili ovlašćeni servis.

⚠ UPOZORENJE: Pročitajte sva sigurnosna upozorenja, uputstva, ilustracije i specifikacije priložene uz ovaj električni alat. Nepriдрžavanje svih dolenađenih uputstava može da dovede do strujnog udara, požara i/ili ozbiljne povrede. Sačuvajte sva upozorenja i uputstva za buduću upotrebu. **Sačuvajte sva upozorenja i uputstva za buduću upotrebu.**

OBUKA

- Pažljivo pročitajte uputstvo. Upoznajte se sa kontrolama i pravilnom upotrebom mašine.
- Nikad ne dozvolite ljudima koji nisu upoznati sa ovim uputstvima ili deci da koriste mašinu. Lokalni propisi mogu da ograniče uzrast rukovaoca.
- Imajte na umu da je rukovalac ili korisnik odgovoran za nezgode ili opasnosti po druge ljude ili njihovu imovinu.

PRIPREMA

- Nikad ne rukujte mašinom dok su ljudi, naročito deca, ili kućni ljubimci u blizini.
- Nosite zaštitne naočare i čvrste cipele sve vreme dok rukujete ovom mašinom.
- Udaljenost između mašine i prolaznika mora biti najmanje 15 m.
- Nikad ne rukujte mašinom ako je rukovalac umoran, bolestan ili pod uticajem alkohola, droga ili lekova.

RUKOVANJE

- Koristite mašinu samo po dnevnom svetlu ili dobrom veštačkom svetlu.

- Nikad ne koristite mašinu sa oštećenim štitnicima ili branicima odnosno bez štitnika ili branika na svom mestu.
- Uključite motor tek kada su šake i stopala udaljena od noža za sečenje.
- Uvek odvojite mašinu od izvora napajanja (tj. izvadite bateriju).
 - svaki put kad ostavljate mašinu bez nadzora;
 - pre čišćenja čepa;
 - pre proveravanja, čišćenja ili rada na mašini;
 - posle nailaženja na strani predmet;
 - svaki put kada mašina počne abnormalno da vibrira.
- Vodite računa da ne povredite stopala i šake nožem za sečenje.
- Uvek osigurajte da ventilacioni otvori budu očišćeni od prljavštine.

ODRŽAVANJE I SKLADIŠTENJE

- Odvojite mašinu od izvora napajanja (tj. izvadite bateriju) pre vršenja održavanja ili čišćenja.
- Koristite samo proizvođačeve preporučene rezervne delove i dodatke.
- Redovno pregledajte i održavajte mašinu. Popravljajte mašinu samo kod ovlašćenih servisera.
- Kada je ne koristite, čuvajte mašinu van domašaja dece.

OSTALA SIGURNOSNA UPOZORENJA

- **Izbegavajte opasna okruženja** – Ne koristite uređaje na vlažnim ili mokrim nagibima.
- **Držite štitnike na svom mestu i u radnom stanju.**
- **Držite šake i stopala dalje od mesta sečenja.**
- **Da biste smanjili rizik od povreda, nikada nemojte raditi na lestvama ili na bilo kojoj nestabilnoj površini. Nikada nemojte držati jedinicu za sečenje iznad visine struka.**
- **Proveravajte jedinicu za sečenje redovno u kratkim intervalima za vreme korišćenja, ili odmah ako ima приметnih promena u ponašanju sečenje.**
- **Za najbolje rezultate, bateriju treba puniti na mestu gde je temperatura veća od 5 °C i manja od 40 °C.** Ne skladištite je na otvorenom prostoru ili u vozilima.
- **Ako vam neko priđe, zaustavite motor i jedinicu za sečenje.**
- **Upozorite korisnika na opasnosti od odbijanja noža (samo kad se koristi sa 3-zubim nožem).**
 - Do odbijanja noža može doći kada nož koji se okreće dođe u dodir sa predmetom koji ne preseče istog trenutka.

- Odbijanje noža može biti dovoljno silovito da izazove da jedinica i/ili korisnik budu odgurnuti u bilo kojem smeru, i moguć je gubitak kontrole nad jedinicom.
- Do odbijanja noža može doći bez upozorenja ako se nož zakači, zaguši ili zaplete.
- Veće šanse za odbijanje noža postoje na mestima gde je teško videti materijal koji se kosi.
- **Nemojte pričvrstiti nož na jedinicu bez pravilne instalacije svih potrebnih delova. Nekorišćenje odgovarajućih delova može izazvati da nož odleti i ozbiljno povredi operatera i/ili prolaznike. Odbacite noževe koji su savijeni, iskrivljeni, naprsli, polomljeni ili oštećeni na bilo koji način. Koristite oštar nož. Tup nož ima veće šanse da se zakači i odbije (samo kad se koristi sa 3-zubim nožem).**
- **Kretanje noža/strune može da izazove povredu dok nastavlja da se vrti nakon zaustavljanja motora ili puštanja okidača. Održavajte pravilnu kontrolu dok se nož/struna ne zaustavi potpuno.**
- Koristite samo sa baterijama i punjačima navedenim na slici A.
- **Alati na baterije ne moraju da budu uključeni u utičnicu; oni su stoga uvek u radnom stanju. Budite svesni mogućih opasnosti čak i kada se alat ne koristi. Budite pažljivi kada održavate ili servisirate.**
- **Ne perite crevom; izbegavajte ulaganje vode u motor i električne veze.**
- **Ako dođe do situacija koje nisu obrađene u ovom priručniku, primenjujte oprez i zdravo rasuđivanje. Obratite se EGO korisničkoj službi za pomoć.**

SAČUVAJTE OVO UPUTSTVO!

SPECIFIKACIJE

Voltaža	56 V ---
Brzina bez opterećenja	4000-5800 /min
Mehanizam sečenja	Izbočena glava
Tip strune za sečenje	2,4 mm najlonska upletena struna
Širina košenja	38 cm
Preporučena radna temperatura	0 °C - 40 °C
Preporučena temperatura skladištenja	-20 °C - 70 °C
Težina (bez baterije)	3,2 kg
Izmereni nivo jačine zvuka L _{WA}	92,6 dB(A) K=0,8 dB(A)

Nivo zvučnog pritiska kod uha rukovaoca L_{PA}		72,6 dB(A) K=2,5 dB(A)
Garantovan nivo jačine zvuka L_{WA} (prema 2000/14/EC)		93 dB(A)
Vibracije a_n	Prednja pomoćna drška	3,5 m/s ² K=1,5 m/s ²
	Zadnja drška	2,1 m/s ² K=1,5 m/s ²

10. Električni kontakti
11. Mehanizam izbacivanja
12. Glava trimera (izbočena glava)
13. Dugme za pomeranje strune
14. Struna za sečenje
15. Jezičak za otpuštanje
16. Nož za sečenje strunom
17. Inbus ključ

- Deklarisana ukupna vrednost vibracije je izmerena u skladu sa standardnim metodom testiranja i može se koristiti za upoređivanje jednog alata sa drugim;
- Deklarisana ukupna vrednost vibracije može se koristiti i u preliminarnoj proceni izlaganja.

NAPOMENA: Emisija vibracija tokom stvarne upotrebe električnog alata može da se razlikuje od deklarisanе vrednosti u kojoj se alat koristi. Da bi se rukovalac zaštitio, korisnik bi trebalo da nosi rukavice i štitnike za uši u stvarnim uslovima korišćenja.

POPIS PAKOVANJA

NAZIV DELA	KOLIČINA
Trimer sa strunom	1
Štitnik	1
Sklop prednje pomoćne drške	1
Remen za rame	1
Inbus ključ	1
Priručnik za rukovaoca	1
Struna za košenje	1

OPIS

UPOZNAJTE TRIMER SA STRUNOM (SI. A)

1. Zadnja drška
2. Glavni okidač
3. Dugme za zaključavanje
4. Podesiva prednja pomoćna drška
5. Remen za rame
6. Vratilo
7. Štitnik
8. Dugme za otključavanje baterije
9. Reza

SKLAPANJE

⚠ UPOZORENJE: Ako su neki delovi oštećeni ili nedostaju, nemojte koristiti ovaj proizvod dok delovi ne budu zamenjeni. Korišćenje ovog proizvoda sa oštećenim ili nedostajućim delovima može dovesti do ozbiljnih telesnih povreda.

⚠ UPOZORENJE: Ne pokušavajte da modifikujete ovaj proizvod ili da pravite dodatke koji nisu preporučeni za korišćenje sa ovim trimenom sa strunom. Svaka takva promena ili modifikacija je zloupotreba i može dovesti do opasnih uslova koji mogu da dovedu do ozbiljnih telesnih povreda.

⚠ UPOZORENJE: Da biste sprečili nehotično pokretanje koje bi moglo izazvati ozbiljne telesne povrede, uvek uklonite bateriju iz alata kada sklapate delove.

MONTIRANJE ŠTITNIKA

⚠ UPOZORENJE: Uvek nosite rukavice kad montirate ili zamenjujete štitnik. Pazite na nož na štitniku i zaštitite šaku od posekوتا.

⚠ UPOZORENJE: Nikada ne koristite alat bez štitnika čvrsto na mestu. Štitnik mora uvek biti na alatu da bi zaštitio korisnika! Kad je štitnik fiksiran, nikad ne pokušavajte da skinete ili podesite štitnik; ako je potrebna zamena, nju treba da uradi kvalifikovani servisni tehničar!

Poravnajte dva zavrtnja, koji su unapred montirani na štitnik, sa dve rupe za vijke na vratilu (SI. B), a zatim ih zategnite priloženim inbus ključem (SI. C).

Proverite da li je štitnik fiksiran prema SI. B i C, svako obrnuto fiksiranje će izazvati veliku opasnost!

MONTIRANJE I PODEŠAVANJE PREDNJE POMOĆNE DRŠKE

Gumite prednju pomoćnu dršku na vratilo (Sl. E), zatim umetnite spojni blok u prorez na drški (Sl. F), montirajte šipku za zaključavanje i spojite ih leptir vijkom (Sl. G). Redosled je prikazan na Sl. D. Na kraju, podesite prednju pomoćnu dršku između mekog naglavka i nalepnice da biste bili sigurni da vam je prednja ruka ispružena kad koristite trimmer (Sl. H) a zatim zaključajte polugu šipke za zaključavanje (Sl. I).

Opis delova sa Sl. D i H pogledajte ispod:

D-1	Prednja pomoćna drška	D-4	Leptir vijak
D-2	Šipka za zaključavanje	H-1	Meki naglavak
D-3	Spojnik blok	H-2	Nalepnica upozorenja

NAPOMENA: Prednja pomoćna drška treba da bude okrenuta nagore i usmerena prema gornjem delu zadnje drške.

⚠ UPOZORENJE: Prednju pomoćnu dršku fiksirajte isključivo između mekog naglavka i nalepnice na vratilu.

⚠ UPOZORENJE: Alat se ne može koristiti ako prednja pomoćna drška nije čvrsto fiksirana.

MONTIRANJE REMENA ZA RAME

1. Olabavite i uklonite zavrtanj na kukici remena (Sl. J1 i J2).
2. Pričvrstite kukicu na vratilo kako je prikazano na Sl. J3 i zaključajte je zavrtanjem (Sl. J4).

⚠ UPOZORENJE: Kukicu remena fiksirajte isključivo između kućišta i mekog naglavka na vratilu.

RUKOVANJE

⚠ UPOZORENJE: Ne dozvolite da zbog poznavanja ovog proizvoda postanete nemarni. Zapamtite da je delić sekunde nepažnje dovoljan da nanese ozbiljnu povredu.

⚠ UPOZORENJE: Uvek nosite sigurnosne naočare sa bočnim štitičima, zajedno sa zaštitom sluha. Nepridržavanje toga može dovesti do predmeta izbačenih prema očima i drugih ozbiljnih povreda.

⚠ UPOZORENJE: Ne koristite nikakve dodatke ili pribor koje nije preporučio proizvođač ovog proizvoda. Upotreba dodataka ili pribora koji nisu preporučeni može da dovede do ozbiljne telesne povrede.

⚠ UPOZORENJE: Da biste sprečili ozbiljne telesne povrede, izvadite bateriju iz alata pre servisiranja, čišćenja, menjanja dodataka ili skidanja materijala sa jedinice.

Možete koristiti ovaj proizvod za svrhe navedene ispod:

Trimovanje: koristi se za uklanjanje trave i korova pored zidova, ograda, drveća i međa.

Sečenje: koristi se za sečenje trave koju je teško dosegnuti koristeći normalnu kosilicu.

NAPOMENA: Alat treba koristiti samo za propisanu svrhu. Svaka druga upotreba, na primer trimovanje ivica, smatra se slučajem zloupotrebe.

SPAJANJE/ODVAJANJE BATERIJE

NAPOMENA: Za bolju ravnotežu, kad koristite BA3360/BA4200/BA4200T/BA5600T baterije, kombinujte ih sa remenima ranca (BH1000).

Potpuno napunite pre prve upotrebe.

Za spajanje

Poravnajte rebra baterije sa prorezima za montiranje i pritisnite bateriju nadole dok ne čujete „klik“ (Sl. K2).

Za odvajanje

Pritisnite dugme za otključavanje baterije i izvucite bateriju kako je prikazano na Sl. L.

Opis delova sa Sl. K1 i K2 pogledajte ispod:

K-1	BA3360/BA4200/BA4200T/BA5600T baterija	K-4	Reza
K-2	Adapter	K-5	Prorez za montiranje baterije
K-3	Remeni ranca		

DRŽANJE TRIMERA SA STRUNOM

⚠ UPOZORENJE: Obucite se prikladno da biste smanjili rizik od povrede dok koristite ovaj alat. Ne nosite labavu odeću ili nakit. Nosite zaštitne naočare i zaštitu uva/sluha. Nosite dugačke radne pantalone, duboke cipele i rukavice. Ne nosite kratke pantalone, sandale, papuče i ne radite bosi.

Pre rukovanja, uhvatite trimmer sa obe ruke; jedna ruka je na zadnjoj drški a druga ruka, koja treba da bude ispružena, je na prednjoj pomoćnoj drški (Sl. M). Zatim proverite balansiran položaj nogu i pravilnu udaljenost sečenja.

NAPOMENA: Glava trimera je paralelna sa tlom i na odgovarajućoj razdaljini sečenja bez saginjanja rukovaoca.

POKRETANJE/ZAUSTAVLJANJE TRIMERA SA STRUNOM

Za pokretanje

Pritisnite nadole dugme za otključavanje a zatim pritisnite okidač. Različit pritisak na okidač daje varijabilnu brzinu rotiranja strune za sečenje. Više pritiska, veća brzina.

Za zaustavljanje

Pustite dugme za otključavanje i okidač.

NAPOMENA: Motor radi samo kada su i dugme za otključavanje i okidač pritisnuti.

UPOZORENJE: Uvek izvadite bateriju iz trimera tokom pauza u radu i posle završetka rada.

KORIŠĆENJE TRIMERA SA STRUNOM

UPOZORENJE: Da biste izbegli ozbiljne telesne povrede, uvek nosite sigurnosne naočare sa bočnim štitnicima ili sigurnosne naočare kad rukujete ovom jedinicom. Nosite masku za lice ili masku za prašinu na prašnjavim mestima.

Očistite područje na kojem ćete seći pre svake upotrebe. Uklonite sve predmete poput kamenja, razbijenog stakla, eksera, žica ili strune koji bi mogli biti izbačeni ili zakačeni dodatkom za sečenje. Uklonite decu, prolaznike i kućne ljubimce iz područja gde ćete raditi. U najmanju ruku, držite svu decu, prolaznike i ljubimce na udaljenosti od najmanje 15 m; i dalje može postojati rizik po posmatrača od izbačenih predmeta. Posmatrača bi trebalo podstaći da nose zaštitne naočare. Ako vam neko priđe, odmah zaustavite motor i dodatak za sečenje.

Pre svake upotrebe proverite da li ima oštećenih/pohabanih delova.

Proverite izbočenu glavu, štitnik i prednju pomoćnu dršku i zamenite delove koji su naprsli, iskrivljeni, savijeni ili na bilo koji način oštećeni.

Nož za sečenje strunom na ivici štitnika može vremenom da se istupi. Preporučuje se da ga periodično naoštrite turpijom ili da ga zamenite novim nožem.

UPOZORENJE: Uvek nosite rukavice kad montirate štitnik ili servisirate nož. Pazite na nož na štitniku i zaštitite šaku od posekotina.

Nakon svake upotrebe, očistite trimer.

OPREZ: Začepljenje otvora će sprečiti protok vazduha u kućište motora i dovešće do pregrevanja ili oštećenja motora.

Koristite samo blag sapun i vlažnu krpu da čistite alat. Nikad ne dozvolite da neka tečnost uđe u alat; nikad ne potapajte nijedan deo alata u tečnost.

- Uvek održavajte otvore za vazduh u kućištu motora bez prijavštine.

UPOZORENJE: Nikad ne koristite vodu za čišćenje trimera. Izbegavajte korišćenje rastvarača kada čistite plastične delove. Većina plastike je podložna oštećenjima od raznih tipova komercijalnih rastvarača. Koristite čiste krpe da uklonite zemlju, prašinu, ulje, masnoću itd.

SAVETI ZA NAJBOLJE REZULTATE TRIMOVANJA (SL. N)

- Pravilan ugao dodatka za sečenje je paralelno sa tlom.
- Ne silite trimer. Pustite da samo vrh strune radi sečenje (naročito duž zidova). Sečenje većim delom a ne samo vrhom će smanjiti efikasnost sečenja i može preopteretiti motor.
- Visina sečenja se utvrđuje prema udaljenosti strune za sečenje od površine travnjaka.
- Travu preko 20 cm treba seći radeći progresivno odgore nadole u malim povećanjima da bi se izbeglo prevremeno habanje strune ili preopterećenje motora.
- Polako pomerajte trimer unutra i van površine koju sećete, održavajući položaj glave za sečenje na željenoj visini sečenja. Ovaj pokret može da bude ili napred-nazad ili s jedne na drugu stranu. Sečenje kraćih dužina daje najbolje rezultate.
- Trimujte samo kad su trava i korov suvi.
- Ograde od žice ili letvica mogu da izazovu dodatno habanje ili pucanje strune. Zidovi od kamena ili cigle, ivičnjaci i drveće mogu brzo da pohabaju strunu.
- Izbegavajte drveće i žbunje. Struna može lako da ošteti koru drveta, drvene lajsne, fasade i stubove ograde.
- Opis delova sa Sl. N pogledajte ispod:

N-1	Najbolja oblast za sečenje	N-2	Opasna oblast za sečenje
-----	----------------------------	-----	--------------------------

PODEŠAVANJE DUŽINE STRUNE ZA SEČENJE

Glava trimera omogućava rukovaocu da otpusti još strune za sečenje bez zaustavljanja motora. Kako struna postaje iskrzana ili pohabana, još strune se može otpustiti laganim tapkanjem držača kalema o tlo tokom rukovanja trimenom (Sl. O).

NAPOMENA: Otpuštanje strune postaće teže kako struna za sečenje postaje kraća.

UPOZORENJE: Ne uklanjajte niti prepravljajte sklop noža za sečenje strunom. Prekomerna dužina strune će izazvati pregrevanje motora i može da dovede do ozbiljnih telesnih povreda.

ZAMENA STRUNE

NAPOMENA: Uvek koristite preporučenu najlonsku strunu za sečenje, prečnika koji ne prelazi 2,4 mm. Korišćenje neke druge strune osim one koja je navedena može da izazove pregrevanje ili oštećenje trimera.

⚠ UPOZORENJE: Nikad ne koristite strunu ojačanu metalom, žicu ili kanap itd. Oni se mogu otkinuti i postati opasni projektili.

Trimer sa strunom je opremljen naprednim sistemom za automatsko namotavanje strune. Struna za sečenje se može namotati na kalem jednostavnim pritiskom na jedno dugme. Namotavanje celog

kalema se obično može završiti za 12 sekundi. Izbegavajte ponavljani rad sistema za namotavanje sa kratkim vremenskim razmacima da biste smanjili mogućnost oštećenja motora.

1. Izvadite bateriju.
2. Uklonite preostalu strunu za sečenje, ako je neophodno. Jednostavno je izvucite rukom.
3. Odsecite jedan komad strune za sečenje (4 m dužine). Udenite strunu u rupicu (Sl. P) i gurajte strunu dok kraj strune ne izađe iz naspramne rupice.

Opis delova sa Sl. P pogledajte ispod:

P-1	Struna za košenje	P-3	Rupica
P-2	Donji poklopec		

4. Izvadite bateriju ako je bila montirana na trimer sa strunom u prethodnom koraku.
5. Vucite strunu sa druge strane dok se jednake dužine strune ne pojave sa obe strane glave trimera (Sl. Q).
6. Instalirajte bateriju u trimer sa strunom. Pritisnite i držite dugme za pomeranje strune da biste pokrenuli motor za namotavanje strune. Struna će se neprekidno namotavati u glavu trimera (Sl. R).
7. Pažljivo gledajte preostalu dužinu strune. Pripremite se da pustite dugme čim približno 18 cm strune preostane sa obe strane. Kratko pritisnite dugme za pomeranje strune da biste podesili dužinu dok 14 cm strune ne bude virilo sa svake strane.
8. Pritisnite dole na glavu trimera dok vučete strune da ručno pomerite strunu da biste proverili pravilno instaliranje strune za sečenje.

NAPOMENA: U slučaju da struna bude nehotično uvučena u glavu trimera, otvorite glavu i izvucite strunu za sečenje iz kalema. Pratite odeljak „PONOVO UDENITE STRUNU ZA SEČENJE“ u ovom priručniku da biste ponovo udenuli strunu.

PONOVO UDENITE STRUNU ZA SEČENJE

Kad struna za sečenje puca dok izlazi iz izlaza strune ili se struna za sečenje ne oslobađa kad se glava trimera tapka, pratite korake ispod da biste uklonili preostalu strunu za sečenje i ponovo uvukli strunu.

1. Pritisnite dva jezička za otključavanje na glavi trimera i skinite glavu trimera tako što ćete je ravno izvući napolje (Sl. S-1 i S-2).
2. Izvucite strunu za sečenje iz glave trimera i umetnite oprugu u prorez na sklopu donjeg poklopc (Sl. T).
3. Dok jednom rukom držite trimer, drugom rukom uhvatite sklop donjeg poklopc i poravnajte proreze na sklopu donjeg poklopc sa jezičcima za otključavanje. Pritisnite sklop donjeg poklopc dok ne škljocne na svoje mesto, kad ćete čuti karakterističan zvuk škljocanja (Sl. U).
4. Pratite uputstva u odeljku „ZAMENA STRUNE“ da biste ponovo stavili strunu za sečenje.

Opis delova sa Sl. S1, T i U pogledajte ispod:

S1-1	Sklop donjeg poklopc	U-1	Jezičak za otpuštanje
S1-2	Jezičak za otpuštanje	U-2	Prorez
T-1	Opruga		

ZAMENA GLAVE TRIMERA

⚠ UPOZORENJE: Ako se glava olabavi nakon što je fiksirana na svoje mesto, zamenite je odmah. Nikada ne koristiti trimer sa labavim dodatkom za sečenje. Zamenite odmah naprsu, oštećenu ili pohabanu glavu za sečenje, čak i ako je oštećenje ograničeno na površinske pukotine. Takvi dodaci mogu da se rasprnu pri velikim brzinama i da izazovu ozbiljne povrede.

Uklonite glavu trimera

1. Izvadite bateriju iz trimera sa strunom.
2. Pritisnite jezičke za otključavanje na glavi trimera i skinite sklop donjeg poklopc glave trimera tako što ćete ga ravno izvući napolje (pogledajte Sl. S1 i S2).
3. Uklonite strunu za sečenje iz glave trimera (Sl. V).
4. Izvadite oprugu iz sklopa kalema, ako je neophodno. Sačuvajte je za ponovno sklapanje.
5. Nosite rukavice. Jednom rukom uhvatite sklop kalema da biste ga stabilizovali, a drugom rukom uzmite udarni ključ da biste olabavili navrtanj suprotno od smera kazaljke na satu (Sl. W).
6. Skinite navrtanj, podlošku, sklop kalema i gornji poklopc sa vratila motora (Sl. X).

- Kleštima za elastične prstenove izvadite elastični prsten. Izvadite sklop ventilatora (Sl. Y).
- Zamenite novom glavom trimera i montirajte je prateći sledeće korake.

Opis delova sa Sl. W, X i Y pogledajte ispod:

W-1	Udarni ključ	X-4	Navrtanj
X-1	Gornji poklopac	Y-1	Sklop ventilatora
X-2	Sklop kalema	Y-2	Elastični prsten
X-3	Podloška		

Instalirajte novu glavu trimera

- Poravnajte prorez za ključ u sklopu ventilatora sa žlebom na vratilu motora i montirajte sklop ventilatora na njegovo mesto (Sl. Z).
- Montirajte elastični prsten, gornji poklopac, sklop kalema i podlošku, ovim redosledom. Koristite udarni ključ da zategnete navrtanj.
- Pratite uputstva u odeljku „**PONOVO UDENITE STRUNU ZA SEČENJE**“ u ovom priručniku da biste montirali sklop donjeg poklopca.
- Pratite uputstva u odeljku „**ZAMENA STRUNE**“ u ovom priručniku da biste ponovo uvukli strunu za sečenje.
- Pokrenite alat da biste videli da li će trimer sa strunom raditi normalno. Ako ne, ponovo ga sklopite kako je opisano iznad.

Opis delova sa Sl. Z pogledajte ispod:

Z-1	Žleb	Z-2	Prorez za ključ
-----	------	-----	-----------------

ODRŽAVANJE

⚠ UPOZORENJE: Tokom servisiranja, koristite samo identične rezervne delove. Redovno pregledajte i održavajte mašinu. Da bi se osigurala sigurnost i pouzdanost, sve popravke treba da radi kvalifikovani servisni tehničar.

⚠ UPOZORENJE: Alati na baterije ne moraju da budu uključeni u utičnicu; oni su stoga uvek u radnom stanju. Da biste sprečili ozbiljne telesne povrede, budite veoma oprezni i pažljivi kad radite održavanje, servisiranje ili kad menjate dodatak za sečenje ili druge dodatke.

⚠ UPOZORENJE: Da biste sprečili ozbiljne telesne povrede, izvadite bateriju iz alata pre servisiranja, čišćenja, menjanja dodataka ili skidanja materijala sa jedinice.

ČIŠĆENJE JEDINICE

- Očistite jedinicu vlažnom krpom i blagim deterdžentom.
- Ne koristite jake deterdžente na plastičnom kućištu i drški. Mogu ih oštetiti određena aromatična ulja, poput bora i limuna, i rastvarači poput kerozina. Vлага može da izazove i opasnost od strujnog udara. Obrisite svu vlagu mekom suvom krpom.
- Pomoću male četke ili ispuštanja vazduha kroz četku malog usisivača očistite otvore za vazduh na zadnjoj strani kućišta.

OŠTRENJE NOŽA ZA SEČENJE STRUNOM

⚠ UPOZORENJE: Uvek zaštitite ruke tako što ćete nositi debele rukavice kad radite bilo kakvo održavanje na nožu za sečenje strunom.

- Uklonite nož za sečenje strunom iz štitnika.
- Nosite odgovarajuću zaštitu za oči i rukavice i pazite da se ne posećete.
- Učvrstite nož u stegu.
- Pažljivo turpijajte ivice za sečenje na nožu finom turpijom ili kamenom za oštrenje, održavajući originalni ugao ivice za sečenje.
- Vratite nož na njegovo mesto na štitniku i pričvrstite ga pomoću dva vijaka.

SKLADIŠTENJE JEDINICE

- Izvadite bateriju iz trimera sa strunom kad nije u upotrebi.
- Temeljno očistite alat pre no što ga uskladištite.
- Skladištite jedinicu na suvom, dobro provetrenom mestu, zaključanu ili na visini, van domašaja dece. Ne skladištite jedinicu na ili pored đubriva, benzina ili drugih hemikalija.

Zaštita životne sredine



Ne odlažite električnu opremu, punjače baterija i baterije/punjive baterije u kućni otpad!

Prema evropskom zakonu 2012/19/EU, električna i elektronska oprema koja više nije upotrebljiva, te prema evropskom zakonu 2006/66/EC, defektne ili ispražnjene baterije, moraju se prikupljati zasebno.

Ako se električni aparati odlažu na deponije ili đubrišta, opasne supstance mogu da iscure u podzemne vode i dospeju u lanac ishrane, nanoseći štetu vašem zdravlju i dobrobiti.

REŠAVANJE PROBLEMA

PROBLEM	UZROK	REŠENJE
Trimer sa strunom neće da se uključi.	<ul style="list-style-type: none"> ■ Baterija nije spojena na trimer sa strunom. ■ Nema električnog kontakta između trimera i baterije ■ Baterija je prazna. ■ Dugme za zaključavanje i okidač nisu pritisnuti istovremeno. 	<ul style="list-style-type: none"> ■ Spojite bateriju na trimer sa strunom. ■ Izvadite bateriju, proverite kontakte i ponovo instalirajte bateriju. ■ Napunite bateriju. ■ Pritisnite nadole dugme za otključavanje i držite ga, zatim pritisnite okidač da biste uključili trimer sa strunom.
Trimer sa strunom se isključuje tokom sečenja.	<ul style="list-style-type: none"> ■ Štitnik nije montiran na trimer, dovodeći do predugačke strune za sečenje i preopterećenja motora. ■ Koristi se debela struna za sečenje. ■ Vratilo motora ili glava trimera su se upetjali u travu. ■ Motor je preopterećen. ■ Baterija ili trimer sa strunom su prevrući. ■ Baterija se odvojila od alata. ■ Baterija je prazna. 	<ul style="list-style-type: none"> ■ Izvadite bateriju i montirajte štitnik na trimer. ■ Koristite preporučenu najlonsku strunu za sečenje prečnika ne većeg od 2,4 mm. ■ Zaustavite trimer, izvadite bateriju i uklonite travu sa vratila motora i glave trimera. ■ Izvadite glavu trimera iz trave. Motor će se ponovo pokrenuti čim opterećenje bude uklonjeno. Kad sečete, pomerajte glavu trimera unutra i napolje trave koju treba iseći i ne uklanjajte više od 20 cm dužine u jednom sečenju. ■ Ostavite bateriju ili trimer da se hlade dok temperatura ne padne ispod 67 °C. ■ Ponovo instalirajte bateriju. ■ Napunite bateriju.

PROBLEM	UZROK	REŠENJE
Glava trimera neće da uvlači strunu.	<ul style="list-style-type: none"> ■ Vratilo motora ili glava trimera su se upetljali u travu. ■ Nema dovoljno strune u držaču kalema. ■ Glava trimera je prljava. ■ Struna je zapetljana u držaču kalema. ■ Struna je prekratka. 	<ul style="list-style-type: none"> ■ Zaustavite trimer, izvadite bateriju i uklonite travu sa vratila motora i glave trimera. ■ Izvadite bateriju i zamenite strunu za sečenje; pratite odeljak „ZAMENA STRUNE“ u ovom priručniku. ■ Izvadite bateriju i očistite držač kalema i osnovu kalema. ■ Izvadite bateriju, skinite strunu sa držača kalema i ponovo je namotajte; pratite odeljak „ZAMENA STRUNE“ u ovom priručniku. ■ Izvadite bateriju i vucite strune dok naizmenično pritisunate nadole i puštate glavu trimera.
Trava se omotala oko glave trimera i kućišta motora.	<ul style="list-style-type: none"> ■ Sečenje visoke trave na nivou tla. 	<ul style="list-style-type: none"> ■ Secite visoku travu odozgo nadole, uklanjajući ne više od 20 cm u svakom prolasku da biste sprečili omotavanje.
Nož ne seče strunu.	<ul style="list-style-type: none"> ■ Nož za sečenje strunom na ivici štitnika se istupio. 	<ul style="list-style-type: none"> ■ Naoštrite nož za sečenje strunom pomoću turpije ili ga zamenite novim nožem.
Pukotine na glavi trimera ili držač kalema koji se olabavio sa osnove kalema.	<ul style="list-style-type: none"> ■ Glava trimera je pohabana. 	<ul style="list-style-type: none"> ■ Odmah zamenite glavu trimera kod kvalifikovanog servisnog tehničara.
Tokom zamene strune, struna se ne može pravilno uvlačiti u glavu trimera.	<ul style="list-style-type: none"> ■ ULAZNE strune u držaču kalema se ne poklapaju sa rupicama na osnovi kalema. ■ Struna nije pravilno umetnuta u montažnu rupicu u rupi. 	<ul style="list-style-type: none"> ■ Okrenite držač kalema u smeru strelice da biste poravnali ULAZNE strune na držaču kalema sa rupicama na osnovi kalema. ■ Prvo poravnajte ULAZNE strune sa rupicama, zatim udenite strunu u rupicu za montiranje unutar rupe.

GARANCIJA

EGO POLITIKA GARANCIJE

Posetite veb-lokaciju egopowerplus.com za potpune uslove i odredbe EGO politike garancije.

PROČITAJTE UPUTSTVO U CIJELOSTI!



PROČITAJTE I SHVATITE UPUTSTVO ZA UPOTREBU

⚠ Preostale opasnosti! Osobe s elektroničkim uređajima poput srčanih elektrostimulatora prije upotrebe ovog proizvoda trebaju se posavjetovati sa svojim ljekarom. Rad električne opreme u neposrednoj blizini srčanih elektrostimulatora može uzrokovati smetnju ili kvar srčanog elektrostimulatora.

⚠ UPOZORENJE! Radi osiguranja sigurnosti i pouzdanosti, sve popravke i zamjene treba obavljati kvalifikovani servisni tehničar.

SIGURNOSNI SIMBOLI

Svrha sigurnosnih simbola je skretanje pažnje na moguće opasnosti. Sigurnosni simboli i njihova objašnjenja zahtijevaju vašu potpunu pažnju i razumijevanje. Sami simboli upozorenja sami po sebi ne isključuju opasnost. Uputstva i upozorenja koja pružaju nisu zamjena za propisne mjere za prevenciju nesreća.

⚠ UPOZORENJE! Prije upotrebe ovog alata pobrinite se da sva sigurnosna uputstva u ovom korisničkom priručniku, uključujući sve sigurnosne simbole kao što su “**OPASNOST**”, “**UPOZORENJE**” i “**OPREZ**” pročitate s razumijevanjem. Zanemarivanje svih uputstava navedenih u nastavku može rezultirati strujnim udarom, požarom i/ili teškim tjelesnim povredama.

ZNAČENJE SIMBOLA

⚠ SIGURNOSNI SIMBOL UPOZORENJA: ukazuje na **OPASNOST**, **UPOZORENJE** ili **OPREZ**. Može se upotrebljavati u kombinaciji s drugim simbolima ili piktogramima.

SIGURNOSNA UPUTSTVA

Na ovoj stranici slikovno su prikazani i objašnjeni sigurnosni simboli koji se mogu pojaviti na ovom proizvodu. Prije pokušaja sastavljanja i rukovanja, s razumijevanjem pročitate sva uputstva na proizvodu i pridržavajte ih se.

	Simbol upozorenja	Ukazuje na potencijalnu opasnost od tjelesnih povreda.
	Pročitajte korisnički priručnik.	Radi smanjenja opasnosti od povreda, prije upotrebe ovog proizvoda korisnik treba s razumijevanjem pročitati ovaj korisnički priručnik.
	Nosite zaštitu za oči.	Kada upotrebljavate ovaj proizvod, uvijek nosite zatvorene zaštitne naočale ili zaštitne naočale s bočnim štitnicima i štitnik za cijelo lice.
	Nosite zaštitu za sluh.	Radi zaštite sluha uvijek nosite zvučne barijere (čepovi za uši ili štitnici za uši).
	Širina rezanja	Maks. širina rezanja trimera s reznom niti
	Prečnik rezne niti	Prečnik najlonske rezne niti
	Nosite zaštitu za glavu.	Radi zaštite glave nosite odobrenu sigurnosnu kacigu.
	Nosite zaštitne rukavice.	Kada rukujete nožem i štitnikom noža zaštitite ruke rukavicama. Neklizajuće rukavice za teške uslove rada poboljšavaju zahvat i štite ruke.
	Nosite sigurnosnu obuću.	Kada upotrebljavate ovu opremu nosite neklizajuću sigurnosnu obuću.
	Čuvajte se povratnog udara noža.	Upozorite rukovaoca na opasnost od povratnog udara noža.
	Opasnost od povratnog udara! Posmatrače držite na udaljenosti.	Odbačeni predmeti mogu odskočiti i rezultirati tjelesnim povredama ili materijalnom štetom. Pobrinite se da druge osobe i kućni ljubimci ostanu podalje od čistača šikare tokom upotrebe.
	Posmatrače držite na udaljenosti.	Pobrinite se da druge osobe i kućni ljubimci ostanu na udaljenosti od najmanje 15 m od trimera s reznom niti tokom upotrebe.

	Ne upotrebljavajte zaobljeni nož.	Nemojte postavljati zaobljene rezne noževe.
	Ne izlažite uređaj kiši.	Trimer s reznom niti nemojte upotrebljavati na kiši ili nemojte ga ostavljati na otvorenom kada pada kiša.
	Oznaka CE	Ovaj proizvod je u skladu s primjenjivim Direktivama EU.
	WEEE	Otpadni električni proizvodi ne smiju se odlagati s otpadom iz domaćinstva. Odnosite ih u ovlaštenu centar za reciklažu.
	Buka	Zagarantovani nivo zvučne snage. Emisija buke u okruženju u skladu je s Direktivom Evropske unije.
V	Volt	Napon
	Istosmjerna struja	Vrsta ili karakteristike struje
n_0	Brzina vrtnje bez opterećenja	Brzina okretanja, bez opterećenja
min ⁻¹	U minuti	Okretaji u minuti

OPĆA SIGURNOSNA UPOZORENJA ZA ELEKTRIČNE ALATE

UPOZORENJE! Pročitajte sva sigurnosna upozorenja, uputstva, sve ilustracije i specifikacije isporučene s ovim električnim alatom.

Zanemarivanje svih uputstava navedenih u nastavku može rezultirati strujnim udarom, požarom i/ili teškim povredama.

Sačuvajte sva upozorenja i uputstva za buduće potrebe.

Pojam “električni alat” u upozorenjima odnosi se na vaš električni alat na strujni pogon (s kabelom) ili električni alat na baterijski pogon (bez kabela).

SIGURNOST RADNOG PODRUČJA

- Radno područje održavajte čistim i dobro osvijetljenim. Pretrpana ili mračna područja izazivaju nesreće.

- Električni alat nemojte upotrebljavati u eksplozivnim atmosferama, kao na primjer u prisutnosti zapaljivih tekućina, plinova ili prašine. Električni alat stvara iskre koje mogu zapaliti prašinu ili isparenja.
- Djecu i posmatrače držite podalje tokom rada s električnim alatom. Ometanja mogu rezultirati gubitkom kontrole nad alatom.

LIČNA SIGURNOST

- Budite oprezni, gledajte šta radite i koristite se uobičajenim osjećajem kada radite s električnim alatom. Nemojte upotrebljavati električni alat kada ste umorni ili pod uticajem opojnih sredstava, alkohola ili lijekova.** Trenutak nepažnje tokom rada s električnim alatima može rezultirati teškim tjelesnim povredama.
- Upotrebljavajte ličnu zaštitnu opremu. Uvijek nosite zaštitu za oči.** Zaštitna oprema poput maske za zaštitu od prašine, neklizajuće sigurnosne obuće, kacige ili zaštite za sluh upotrijebljena za odgovarajuće uslove smanjit će tjelesne povrede.
- Spriječite nenamjerno pokretanje. Prije spajanja na izvor napajanja i/ili komplet baterija, uzimanja ili nošenja alata uvjerite se da se prekidač nalazi u isključenom položaju.** Nošenje električnih alata s prstom na prekidaču ili napajanje električnih alata koji imaju uključen prekidač izaziva nesreće.
- Prije uključivanja električnog alata uklonite sve ključeve za podešavanje ili ključeve.** Ključ ili ključ za podešavanje ostavljen pričvršćen na rotacijski dio električnog alata može rezultirati tjelesnim povredama.
- Nemojte se previše naginjati prema naprijed. Cijelo vrijeme održavajte propisno držanje i ravnotežu.** To će omogućiti bolju kontrolu nad električnim alatom u neočekivanim situacijama.
- Obucite se prikladno. Nemojte nositi široku odjeću ili nakit. Kosu, odjeću i rukavice uvijek držite podalje od dijelova koji se kreću.** Dijelovi koji se kreću mogu zahvatiti široku odjeću, nakit ili dugu kosu.
- Ako su uređaji namijenjeni za spajanje sistema za izvlačenje i sakupljanje prašine, pobrinite se da se propisno spoje i upotrebljavaju.** Upotrebom uređaja za sakupljanje prašine mogu se smanjiti opasnosti koje se odnose na prašinu.
- Nemojte dozvoliti da vas poznavanje alata stečeno čestom upotrebom učini samodopadnim pa da ignorišete sigurnosne principe za alat.** Nemarne radnje u djeliću sekunde mogu rezultirati teškim povredama.

UPOTREBA I NJEGA ELEKTRIČNOG ALATA

- **Nemojte preopterećavati električni alat.** Upotrebjavajte ispravan električni alat za svoju primjenu. Ispravan električni alat bolje će i sigurnije odraditi posao pri brzini za koju je predviđen.
- **Nemojte upotrebljavati električni alat ako ga prekidač ne uključuje i isključuje.** Svaki električni alat koji se ne može kontrolisati prekidačem opasan je i potrebno ga je popraviti.
- **Nekorišteni električni alat skladištite izvan dohvata djece i nemojte dozvoliti da osobe koje ne poznaju električni alat ili ova uputstva rade s električnim alatom.** Električni alati opasni su u rukama neobučeni korisnika.
- **Održavajte električne alate i dodatnu opremu.** Provjerite jesu li pokretni dijelovi centrirani ili spojeni, ima li polomljenih dijelova i postoji li stanje koje može uticati na rad električnog alata. **Ako je oštećen, električni alat dajte na popravak prije upotrebe.** Loše održavani električni alati uzrok su mnogih nesreća.
- **Rezne alate održavajte oštirima i čistima.** Propisno održavani rezni alati s oštrim reznim rubovima vjerovatno se neće spajati i lakši su za upravljanje.
- **Električni alat, dodatnu opremu i alatne nastavke, itd., upotrebljavajte u skladu s ovim uputstvima, uzimajući u obzir radne uslove i posao koji je potrebno obaviti.** Upotreba električnog alata za radove drukčija od namjenske može rezultirati opasnim situacijama.
- **Rukohvate i površinu rukohvata održavajte suhim, čistim i očišćenim od ulja i masti.** Skliske rukohvate i skliske površine rukohvata onemogućuju sigurno rukovanje i upravljanje alatom u neočekivanim situacijama.
- **Držite kabele podalje od radnog područja alata.** Tokom rada kabele mogu biti zaklonjeni od pogleda i mogu se nehotično oštetiti alatom.

UPOTREBA I NJEGA BATERIJSKOG ALATA

- **Punjenje obavljajte samo s punjačem kojeg je naveo proizvođač.** Punjač koji je prikladan za jedan tip kompleta baterija može stvoriti rizik od požara ako ga se upotrebljava s drugim kompletom baterija.
- **Električni alat upotrebljavajte samo s izričito navedenim kompletima baterija.** Upotreba drugih kompleta baterija može stvoriti rizik od povreda i požara.
- **Kada se komplet baterija ne upotrebljava, držite ga podalje od drugih metalnih predmeta poput spajalica za papir, kovanica, ključeva, eksera, vijaka ili drugih malih metalnih predmeta koji mogu međusobno spojiti kontakte.** Kratko spajanje baterijskih kontakata može uzrokovati opekotine ili požar.

- **U slučaju pogrešne upotrebe, baterija može izbaciti tekućinu; izbjegavajte kontakt.** Ako slučajno dođe do kontakta, odnosno mjesta isperite vodom. Ako tekućina dođe u kontakt s očima, dodatno potražite pomoć ljekara. Tekućina koju izbacila baterija može uzrokovati nadražaj kože ili opekotine.
- **Nemojte upotrebljavati oštećen ili modifikovan komplet baterija ili alat.** Oštećene ili modifikovane baterije mogu pokazati nepredvidivo ponašanje koje može rezultirati požarom, eksplozijom ili opasnošću od povreda.
- **Komplet baterija ili alat nemojte izlagati vatri ili previsokoj temperaturi.** Izlaganje vatri ili temperaturi višoj od 100 °C može uzrokovati eksploziju.
- **Pridržavajte se svih uputstava za punjenje i komplet baterija ili alat nemojte puniti izvan okvira opsega temperature navedenog u uputstvima.** Nepropisno punjenje ili punjenje pri temperaturama izvan okvira određenog opsega može oštetiti bateriju i povećati opasnost od požara.

SERVISIRANJE

- **Servisiranje električnog alata prepustite kvalifikovanom osoblju za popravak koje upotrebljava samo identične zamjenske dijelove.** Time će se osigurati održavanje sigurnosti električnog alata.
- **Nemojte nikada servisirati oštećene komplete baterija.** Servisiranje kompleta baterija smiju obavljati samo proizvođač ili ovlašteni serviseri.

UPOZORENJE! Pročitajte sva sigurnosna upozorenja, uputstva, sve ilustracije i specifikacije isporučene s ovim električnim alatom.

Zanemarivanje svih uputstava navedenih u nastavku može rezultirati strujnim udarom, požarom i/ili teškim povredama. Sačuvajte sva upozorenja i uputstva za buduće potrebe.

Sačuvajte sva upozorenja i uputstva za buduće potrebe.

OBUKA

- Pažljivo pročitajte uputstvo. Upoznajte se s upravljačkim elementima i propisnom upotrebom uređaja.
- Nemojte nikada dozvoliti da osobe koje nisu pročitale ova uputstva ili djeca upotrebljavaju uređaj. Lokalni propisi mogu ograničavati starosnu dob rukovaoca.
- Napominjemo da je rukovalac ili korisnik odgovoran za nesreće ili opasnosti za druge osobe ili njihovu imovinu.

PRIPREMA

- Ovaj uređaj nemojte nikada upotrebljavati kada se u blizini nalaze osobe, a posebno djeca ili kućni ljubimci.
- Nosite zaštitu za oči i čvrstu obuću cijelo vrijeme dok upotrebljavate ovaj uređaj.
- Razmak između proizvoda i posmatrača treba biti najmanje 15 m.
- Nemojte nikada upotrebljavati uređaj kada ste umorni, bolesni ili pod utjecajem alkohola ili drugih opojnih sredstava.

RAD

- Uređaj upotrebljavajte samo na dnevnom svjetlu ili pri dobrom umjetnom osvjetljenju.
- Uređaj nemojte nikada upotrebljavati ako su štitnici ili zaštitni uređaji oštećeni ili ako nisu na svom mjestu.
- Motor uključite samo kada se ruke i stopala nalaze podalje od reznih elemenata.
- Uređaj uvijek isključite iz strujnog napajanja (tj. izvadite komplet baterija).
 - kada uređaj ostavljate bez nadzora;
 - prije čišćenja blokada;
 - prije provjere, čišćenja ili rada na uređaju;
 - nakon udaranja o strani predmet;
 - kada uređaj počne neuobičajeno vibrirati.
- Zaštitite se od povreda stopala i ruku od reznih elemenata.
- Uvijek vodite računa da ventilacijski otvori ne budu zapriječeni.

ODRŽAVANJE I SKLADIŠTENJE

- Prije obavljanja radova održavanja ili čišćenja, uređaj isključite iz strujnog napajanja (tj. izvadite komplet baterija).
- Upotrebljavajte samo zamjenske dijelove i dodatnu opremu koje je preporučio proizvođač.
- Redovno obavljajte pregled i održavanje uređaja. Popravak proizvoda prepustite samo ovlaštenom osoblju za popravak.
- Kada ga ne upotrebljavate, uređaj skladištite izvan dohvata djece.

OSTALA SIGURNOSNA UPOZORENJA

- **Izbjegavajte opasna okruženja.** – Uređaje nemojte upotrebljavati na vlažnim ili mokrim nagibima.
- **Održavajte štitnike na njihovom mjestu i u radnom stanju.**

- **Ruke i stopala držite podalje od područja rezanja.**
- **Radi smanjenja opasnosti od povreda, nemojte nikada raditi na ljestvama ili na nekoj drugoj nesigurnoj podlozi. Reznu jedinicu nemojte nikada držati na visini iznad struka.**
- **Reznu jedinicu tokom rada redovno provjeravajte u kratkim intervalima ili odmah ako uočite primjetnu promjenu u postupku rezanja.**
- **Za najbolje rezultate bateriju je potrebno puniti na mjestu gdje je temperatura viša od 5 °C i niža od 40 °C.** Bateriju nemojte skladištiti na otvorenom ili u vozilu.
- **Ako vam neko prilazi, zaustavite motor i reznu jedinicu.**
- **Upozorite rukovaoca na opasnost od povratnog udara noža (samo ako upotrebljavate trokraki nož).**
 - Povratni udar noža može se dogoditi kada rotirajući nož dođe u kontakt s predmetom kojeg ne može odmah odrezati.
 - Povratni udar noža može biti dovoljno silovit da rezultira odbacivanjem jedinice i/ili rukovaoca u bilo kojem smjeru i mogućim gubitkom kontrole nad jedinicom.
 - Povratni udar noža može se dogoditi bez upozorenja ako nož zapne, ako blokira ili se zaglavi.
 - Povratni udar noža prije će se dogoditi u područjima gdje je teško vidjeti materijal koji se reže.
- **Nemojte pričvršćivati nož na jedinicu bez propisnog postavljanja svih potrebnih dijelova. Zanemarivanje upotrebe propisnih dijelova može rezultirati odbacivanjem noža i teškim povredama rukovaoca i/ili posmatrača. Zbrinite noževe koji su savijeni, deformisani, napuknuti, polomljeni ili oštećeni na bilo koji način. Upotrebljavajte oštar nož. Tup nož prije će zapeti i uzrokovati povratni udar (samo ako upotrebljavate trokraki nož).**
- **Nož/nit u praznom hodu može uzrokovati povrede dok se još okreće nakon zaustavljanja motora ili otpuštanja okidača. Održavajte propisnu kontrolu dok se nož/nit u potpunosti ne zaustavi.**
- Upotrebljavajte samo s kompletima baterija i punjačima koji su navedeni na sl. A.
- **Baterijske alate nije potrebno uključivati u električnu utičnicu, stoga su uvijek u radnom stanju. Imajte na umu moguće opasnosti čak i kada alat ne radi.** Budite oprezni pri obavljanju radova održavanja ili servisiranja.
- **Uređaj nemojte prati crijevom; izbjegavajte da voda dospije u motor i električne priključke.**

- Ako se pojave situacije koje nisu obuhvaćene ovim priručnikom, postupite oprezno i uz dobru procjenu. Za pomoć se obratite centru korisničke službe proizvođača EGO.

SAČUVAJTE OVA UPUTSTVA!

TEHNIČKI PODACI

Napon	56 V $\overline{\text{---}}$	
Brzina vrtnje bez opterećenja	4000-5800 /min	
Rezni mehanizam	Rezna glava	
Vrsta rezne niti	Najlonska rezna nit 2,4 mm	
Širina rezanja	38 cm	
Preporučena radna temperatura	0 °C - 40 °C	
Preporučena temperatura skladištenja	-20 °C - 70 °C	
Masa (bez kompleta baterija)	3,2 kg	
Izmjereni nivo zvučne snage L_{WA}	92,6 dB(A) K=0,8 dB(A)	
Nivo zvučnog pritiska kod uha rukovaoca L_{PA}	72,6 dB(A) K=2,5 dB(A)	
Zagarantovani nivo zvučne snage L_{WA} (u skladu s Direktivom 2000/14/EZ)	93 dB(A)	
Vibracije a_n	Prednji pomoćni rukohvat	3,5 m/s ² K=1,5 m/s ²
	Stražnji rukohvat	2,1 m/s ² K=1,5 m/s ²

- Deklarisane ukupne vrijednosti vibracija izmjerene su u skladu sa standardnom metodom ispitivanja i mogu se primjenjivati za poređenje jednog alata s drugim.
- Deklarisane ukupne vrijednosti vibracija mogu se primjenjivati i u preliminarnoj procjeni izloženosti.

NAPOMENA! Emisija vibracija tokom aktualne upotrebe električnog alata može se razlikovati od deklarirane vrijednosti u kojoj se alat upotrebljavao; Korisnik radi zaštite treba nositi rukavice i štitnike za uši u aktualnim uslovima upotrebe.

LISTA PAKOVANJA

NAZIV DIJELA	KOLIČINA
Trimer s reznom niti	1
Štitnik	1
Sklop prednjeg pomoćnog rukohvata	1
Ramena traka	1
Inbus ključ	1
Korisnički priručnik	1
Rezna nit	1

OPIS

NAZIUPONAŽAJTE SVOJ TRIMER S REZNOU NITU (sl. A)

1. Stražnji rukohvat
2. Okidač
3. Dugme za deblokadu
4. Podesivi prednji pomoćni rukohvat
5. Ramena traka
6. Drška
7. Štitnik
8. Dugme za oslobađanje baterije
9. Bravica
10. Električni kontakti
11. Mehanizam za izbacivanje
12. Glava trimera (rezna glava)
13. Dugme za namotavanje rezne niti
14. Rezna nit
15. Jezičak za otpuštanje
16. Nož za rezanje rezne niti
17. Inbus ključ

SASTAVLJANJE

⚠ UPOZORENJE! Ako je bilo koji dio oštećen ili ako nedostaje, nemojte upotrebljavati ovaj proizvod dok ne zamijenite dijelove. Upotreba ovog proizvoda oštećenih dijelova ili dijelova koji nedostaju može rezultirati teškim tjelesnim povredama.

⚠ UPOZORENJE! Nemojte pokušavati da modifikujete ovaj proizvod ili da pravite pribor koji nije preporučen za upotrebu s ovim trimenom s reznom niti. Sve takve izmjene ili modifikacije predstavljaju nepropisnu upotrebu i mogu rezultirati opasnim stanjima koja mogu dovesti do mogućih teških tjelesnih povreda.

⚠ UPOZORENJE! Radi sprečavanja iznenadnog pokretanja koje može uzrokovati teške tjelesne povrede, uvijek izvadite komplet baterija iz alata kada postavljate dijelove.

POSTAVLJANJE ŠTITNIKA

⚠ UPOZORENJE! Pri postavljanju štitnika ili zamjeni štitnika uvijek nosite rukavice. Pazite na nož na štitniku i zaštitite ruke od posjekotina.

⚠ UPOZORENJE! Alat nemojte nikada upotrebljavati bez dobro pričvršćenog štitnika. Štitnik uvijek mora biti na alatu radi zaštite korisnika! Kada je štitnik pričvršćen, nemojte nikada pokušavati da ga uklanjate ili podešavate. Ako je potrebna zamjena, treba je obaviti kvalifikovani servisni tehničar!

Poravnajte dva vijaka, koji su prethodno postavljeni na štitniku, s dvama provrtima za vijke na dršci (sl. B), a zatim ih pritegnite priloženim inbus ključem (sl. C).

Uvjerite se da je štitnik pričvršćen u skladu sa sl. B i C. Svako obrnuto pričvršćivanje izazvat će veliku opasnost!

POSTAVLJANJE I PODEŠAVANJE PREDNJEG POMOĆNOG RUKOHVATA

Prednji pomoćni rukohvat gumite na dršku (sl. E), a zatim umetnite stezni blok u utor rukohvata (sl. F), postavite blokirni klin i zabravite ga s krilnom maticom (sl. G). Redoslijed je prikazan na sl. D. Na kraju prednji pomoćni rukohvat namjestite između mekanog naglavka i naljepnice kako biste osigurali da vam prednja ruka bude ispružena pri upotrebi trimera (sl. H), a zatim zabravite ručicu blokirnog klina (sl. I).

Opis dijelova na sl. D i H pogledajte u nastavku:

D-1	Prednji pomoćni rukohvat	D-4	Krilna matica
D-2	Blokirni klin	H-1	Mekani naglavak
D-3	Stezni blok	H-2	Naljepnica upozorenja

NAPOMENA! Prednji pomoćni rukohvat potrebno je okrenuti prema gore kako bi bio usmjeren prema gornjoj strani stražnjeg rukohvata.

⚠ UPOZORENJE! Prednji pomoćni rukohvat pričvršćujte samo između mekanog naglavka i naljepnice na dršci.

⚠ UPOZORENJE! Alat se ne smije upotrebljavati ako prednji pomoćni rukohvat nije dobro pričvršćen.

POSTAVLJANJE RAMENE TRAKE

- Otpustite i uklonite vijak u kukici trake (sl. J1 i J2).
- Pričvrstite kukicu na dršku kako je prikazano na sl. J3 i zabravite je vijkom (sl. J4).

⚠ UPOZORENJE! Kukicu trake pričvrstite samo između kućišta i mekanog naglavka na dršci.

RAD

⚠ UPOZORENJE! Nemojte dozvoliti da vas poznavanje ovog proizvoda učini nepažljivim. Imajte na umu da je za nanošenje teških povreda dovoljan samo djelić sekunde nepažnje.

⚠ UPOZORENJE! Uvijek nosite zatvorene zaštitne naočale ili zaštitne naočale s bočnim štitnicima, zajedno sa zaštitom za sluh. Nepostupanje u skladu s tim može rezultirati odbačanjem predmeta u oči i drugim mogućim teškim povredama.

⚠ UPOZORENJE! Nemojte upotrebljavati priključke ili pribor koje nije preporučio proizvođač ovog proizvoda. Upotreba nepreporučenih priključaka ili pribora može rezultirati teškim tjelesnim povredama.

⚠ UPOZORENJE! Radi sprečavanja teških tjelesnih povreda, prije servisiranja, čišćenja, promjene priključaka ili uklanjanja materijala iz jedinice izvadite komplet baterija iz alata.

Ovaj proizvod možete upotrebljavati za svrhe navedene u nastavku:

Šišanje: upotrebljava se za uklanjanje trave i korova uz zidove, ograde, drveće i granične elemente.

Rezanje: upotrebljava se za rezanje trave koju je teško dosegnuti normalnom kosilicom.

NAPOMENA! Alat se smije upotrebljavati samo za prethodno opisanu namjenu. Svaka druga upotreba, na primjer rubno šišanje, smatra se nepropisnom upotrebom.

POSTAVLJANJE/SKIDANJE KOMPLETA BATERIJA

NAPOMENA! Kada upotrebljavate baterije BA3360/BA4200/BA4200T/BA5600T, upotrebljavajte ih u kombinaciji sa sistemom za nošenje na leđima (BH1000) radi bolje ravnoteže.

Komplet baterija napunite prije prve upotrebe.

Postavljanje

Poravnajte kontakte baterije s montažnim utorima i pritišćite komplet baterija prema dolje dok ne začujete zvuk "klikanja" (sl. K2).

Skidanje

Pritisnite dugme za otpuštanje baterije i izvucite komplet baterija kako je prikazano na sl. L.

Opis dijelova na sl. K1 i K2 pogledajte u nastavku:

K-1	Komplet baterija BA3360/BA4200/ BA4200T/ BA5600T	K-4	Bravica
K-2	Adapter	K-5	Utor za postavljanje baterije
K-3	Sistem za nošenje na ledima		

DRŽANJE TRIMERA S REZONOM NITI

⚠ UPOZORENJE! Obucite se propisno kako biste smanjili rizik od povreda tokom rukovanja alatom. Nemojte nositi široku odjeću ili nakit. Nosite zaštitu za oči i uši/sluh. Nosite robusne duge hlače, čizme i rukavice. Nemojte nositi kratke hlače, sandale ili biti bosonogi.

Prije rukovanja trimera držite objema rukama. Jednu ruku držite na stražnjem rukohvatu, a drugu ruku koja treba biti ispružena na prednjem pomoćnom rukohvatu (sl. M). Zatim provjerite držanje i ravnotežu i propisnu udaljenost za rezanje.

NAPOMENA! Glava trimera je u paralelnom položaju u odnosu na tlo na propisnoj udaljenosti za rezanje bez naginjanja ruksaoca prema naprijed.

POKRETANJE/ZAUSTAVLJANJE TRIMERA S REZONOM NITI

Pokretanje

Pritisnite dugme za deblokadu, a zatim okidač. Različiti pritisak na okidač rezultira različitim brzinama rotacije rezne niti. Više pritiska, viša brzina.

Zaustavljanje

Otpustite dugme za deblokadu i okidač.

NAPOMENA! Motor radi samo kada se pritisnu dugme za blokadu i okidač.

⚠ UPOZORENJE! Komplet baterija uvijek izvadite iz trimera s reznom niti tokom pauza i nakon završetka radova.

UPOTREBA TRIMERA S REZONOM NITI

⚠ UPOZORENJE! Radi izbjegavanja tjelesnih povreda, uvijek nosite zatvorene zaštitne naočale ili zaštitne naočale kada radite s ovom jedinicom. U prašnjavim područjima nosite zaštitnu masku za lice ili masku za zaštitu od prašine.

Očistite radno područje prije svake upotrebe. Uklonite sve predmete poput kamenja, razbijenog stakla, eksera, žica ili niti koje trimer može odbaciti ili koji se mogu zaplesti u rezni priključak. Iz područja udaljite djecu, posmatrača i kućne ljubimce. Držite djecu, posmatrača i kućne ljubimce udaljene najmanje 15 m; za posmatrača čak i tada postoji opasnost od odbačenih predmeta. Posmatrača je potrebno zamoliti da nose zaštitu za oči. Ako vam neko prilazi, odmah zaustavite motor i rezni priključak.

Prije svake upotrebe provjerite ima li oštećenih/istrošenih dijelova.

Provjerite reznu glavu, štitnik i prednji pomoćni rukohvat i zamijenite dijelove koji su napukli, deformisani, savijeni ili oštećeni na bilo koji način.

Nož za rezanje rezne niti na rubu štitnika vremenom može postati tup. Preporučujemo povremeno oštrenje noža turprijom ili zamjenu noža.

⚠ UPOZORENJE! Pri postavljanju štitnika ili servisiranju noža uvijek nosite rukavice. Pazite na nož na štitniku i zaštitite ruke od posjekotina.

Očistite trimera nakon svake upotrebe.

⚠ OPREZI! Zapreke u ventilacijskim otvorima spriječit će protok zraka u kućište motora i rezultirati pregrijavanjem ili oštećenjem motora.

Za čišćenje alata upotrebljavajte samo blagu sapunicu i vlažnu krpu. Nemojte nikada dozvoliti da tekućina dospje u alat i nemojte nikada uranjati dijelove alata u tekućinu.

- Zračne ventilacijske otvore u kućištu motora cijelo vrijeme održavajte čistim od naslaga.

⚠ UPOZORENJE! Za čišćenje trimera nemojte nikada upotrebljavati vodu. Kada čistite plastične dijelove, izbjegavajte upotrebljavati rastvore. Mnoge plastike mogu se oštetiti različitim vrstama komercijalnih rastvora. Za uklanjanje prljavštine, prašine, ulja, masti i sl. upotrebljavajte čiste krpe.

SAVJETI ZA NAJBOLJE REZULTATE PRI UPOTREBI TRIMERA (SL. N)

- Ispravan ugao za rezni priključak je paralelan u odnosu na tlo.
- Izbjegavajte preveliko opterećenje trimera. Omogućite da vrh rezne niti obavlja rezanje (posebno duž zidova). Rezanje s više rezne niti smanjit će učinkovitost rezanja i može preopteretiti motor.
- Visina rezanja određuje se udaljenošću rezne niti od površine travnjaka.
- Travu višu od 20 cm potrebno je rezati progresivno odozgo prema dolje u malim koracima radi izbjegavanja prijevremenog trošenja rezne niti ili zastoja motora.

- Polako pomjerajte trimmer u područje koje se reže i iz područja uz održavanje položaja rezne glave na željenoj visini rezanja. Ovo pomjeranje može biti pokret prema naprijed ili bočni pokret. Rezanje kraćih dužina daje najbolje rezultate.
- Trimer upotrebljavajte samo kada su trava i korov suhi.
- Žičane i drvene ograde mogu uzrokovati dodatno trošenje ili pucanje rezne niti. Kameni zidovi i zidovi od cigle, pločnici i drvo mogu uzrokovati ubrzano trošenje rezne niti.
- Izbjegavajte drveće i šibljke. Rezna nit lako može oštetiti koru drveća, dekoraciju drva, vanjsku oplatu i stubove ograde.
- Opis dijelova na sl. N pogledajte u nastavku:

N-1	Područje najboljeg rezanja	N-2	Područje opasnog rezanja
-----	----------------------------	-----	--------------------------

PODEŠAVANJE DUŽINE REZNE NITI

Glava trimera rukovaocu omogućuje otpuštanje više rezne niti bez zaustavljanja motora. Ako se rezna nit pohaba ili istroši, laganim dodirivanjem držača kalema o tlo tokom rukovanja trimerom moguće je otpustiti više niti (sl. O).

NAPOMENA! Otpuštanje niti teže je kako se rezna nit skraćuje.

⚠ UPOZORENJE! Nemojte uklanjati sklop noža za rezanje rezne niti ili ne obavljajte preinake na njemu. Prevelika dužina niti uzrokovat će pregrijavanje motora što može rezultirati teškim tjelesnim povredama.

ZAMJENA REZNE NITI

NAPOMENA! Uvijek upotrebljavajte preporučenu najlonsku reznu nit prečnika ne većeg od 2,4 mm. Upotreba rezne niti drukčije od navedene može uzrokovati pregrijavanje ili oštećenje trimera.

⚠ UPOZORENJE! Nemojte nikada upotrebljavati metalom ojačane niti, žicu ili uže i sl. jer mogu se odlomiti i postati opasni projektili.

Trimer s reznom niti opremljen je naprednim sistemom automatskog namotavanja rezne niti. Reznu nit moguće je namotati na kalem jednostavnim pritiskom na jedno dugme. Namotavanje kalema u cijelosti obično je moguće obaviti za 12 sekundi. Izbjegavajte ponavljeni brzi rad sistema namotavanja kako biste smanjili mogućnost oštećenja motora.

1. Izvadite komplet baterija.
2. Ako je potrebno, uklonite preostalu reznu nit. Jednostavno je povući rukom.

3. Izrežite jedan komad rezne niti dužine otprilike 4 m. Umetnite reznu nit u ušicu (sl. P) i gurajte je dok njen kraj ne izađe na suprotnoj ušici.

Opis dijelova na sl. P pogledajte u nastavku:

P-1	Rezna nit	P-3	Ušica
P-2	Donji poklopac		

4. Izvadite bateriju ako je u prethodnom koraku postavljena na trimmer s reznom niti.
5. Povlačite reznu nit s druge strane dok rezna nit ne bude iste dužine s obje strane glave trimera (sl. Q).
6. Postavite komplet baterija na trimmer s reznom niti. Pritisnite dugme za namotavanje rezne niti i držite ga pritisnutim kako biste pokrenuli motor za namotavanje rezne niti. Rezna nit kontinuirano će se namotavati u glavu trimera (sl. R).
7. Pažljivo vodite računa o dužini preostale rezne niti. Budite spremni da otpustite dugme čim sa svake strane ostane oko 18 cm rezne niti. Kratko pritisnite dugme za namotavanje rezne niti kako biste podesili dužinu tako da sa svake strane ostane 14 cm rezne niti.
8. Gurnite glavu trimera prema dolje pritom povlačeći reznu nit kako biste je ručno pomakli prema naprijed i provjerili je li ispravno postavljena.

NAPOMENA! U slučaju nehotičnog uvlačenja rezne niti u glavu trimera, otvorite glavu i izvucite reznu nit iz kalema. Za ponovno namotavanje rezne niti slijedite uputstva u poglavlju "PONOVNO NAMOTAVANJE REZNE NITI".

PONOVNO NAMOTAVANJE REZNE NITI

Ako se rezna nit otkine na izlazu niti ili ako se rezna nit ne otpusti lupkanjem po glavi trimera, za uklanjanje preostale rezne niti i ponovno namotavanje rezne niti slijedite korake u nastavku.

1. Pritisnite dva jezička za otpuštanje na glavi trimera i uklonite glavu trimera povlačeći je ravno van (sl. S-1 i S-2).
2. Izvadite reznu nit iz glave trimera i umetnite oprugu u utor u sklopu donjeg poklopca (sl. T).
3. Jednom rukom držite trimera, drugom rukom uzmite sklop donjeg poklopca i poravnajte uture u sklopu donjeg poklopca s jezičcima za otpuštanje. Pritišćite sklop donjeg poklopca dok ne ulegne u svoje ležište, pri čemu ćete čuti jasan zvuk klikanja (sl. U).
4. Za ponovno namotavanje rezne niti slijedite uputstva u poglavlju "ZAMJENA REZNE NITI".

Opis dijelova na sl. S1, T i U pogledajte u nastavku:

S1-1	Sklop donjeg poklopca	U-1	Jezičak za otpuštanje
S1-2	Jezičak za otpuštanje	U-2	Utor
T-1	Opruga		

ZAMJENA GLAVE TRIMERA

⚠ UPOZORENJE! Ako se glava nakon pričvršćivanja otpusti, odmah je zamijenite. Trimer nemojte nikada upotrebljavati ako je rezni priključak otpušten. Puknutu, oštećenu ili istrošenu reznu glavu odmah zamijenite čak i ako je oštećenje ograničeno na površinske pukotine. Takvi priključci mogu se raspuknuti pri visokoj brzini i uzrokovati teške povrede.

Uklanjanje glave trimera

- Izvadite komplet baterija iz trimera s reznom niti.
- Pritisnite jezičke za otpuštanje na glavi trimera i uklonite sklop donjeg poklopca glave trimera povlačeći ga ravno van (pogledajte sl. S1 i S2).
- Izvadite reznu nit iz glave trimera (sl. V).
- Ako je potrebno, izvadite oprugu iz sklopa kalema. Sačuvajte je za ponovno sastavljanje.
- Nosite rukavice. Jednom rukom prihvatite sklop kalema kako biste ga stabilizovali, a drugom rukom držite udarni ključ kako biste otpustili maticu u smjeru suprotnom smjeru kretanja kazaljki na satu (sl. W).
- S vratila motora uklonite maticu, podlošku, sklop kalema i gornji poklopac (sl. X).
- Za uklanjanje sigurnosnog prstena upotrijebite klijesta za sigurnosni prsten. Uklonite sklop ventilatora (sl. Y).
- Zamijenite glavu trimera i postavite je prema sljedećim koracima.

Opis dijelova na sl. W, X i Y pogledajte u nastavku:

W-1	Udarni ključ	X-4	Matica
X-1	Gornji poklopac	Y-1	Sklop ventilatora
X-2	Sklop kalema	Y-2	Sigurnosni prsten
X-3	Podloška		

Postavljanje nove glave trimera

- Poravnajte utor za klin u sklopu ventilatora s uzdužnim zubom u vratilu motora i postavite sklop ventilatora na njegovo mjesto (sl. Z).
- Postavite sigurnosni prsten, gornji poklopac, sklop kalema i podlošku ovim redoslijedom. Za pritezanje matice upotrijebite udarni ključ.

- Za postavljanje sklopa donjeg poklopca slijedite uputstva u poglavlju **“PONOVNO NAMOTAVANJE REZNE NITI”** u ovom uputstvu za upotrebu.
- Za ponovno namotavanje rezne niti slijedite uputstva u poglavlju **“ZAMJENA REZNE NITI”** u ovom uputstvu za upotrebu.
- Pokrenite alat kako biste vidjeli da li trimer s reznom niti ispravno radi. Ako to nije slučaj, rastavljanje obavite na gore opisani način.

Opis dijelova na sl. Z pogledajte u nastavku:

Z-1	Rascjepka	Z-2	Utor za klin
-----	-----------	-----	--------------

ODRŽAVANJE

⚠ UPOZORENJE! Kada obavljate radove servisiranja, upotrebljavajte samo identične zamjenske dijelove. Redovno obavljajte pregled i održavanje uređaja. Radi osiguranja sigurnosti i pouzdanosti, sve popravke treba obavljati kvalifikovani servisni tehničar.

⚠ UPOZORENJE! Baterijske alate nije potrebno uključivati u električnu utičnicu, stoga su uvijek u radnom stanju. Radi sprečavanja teških tjelesnih povreda poduzmite dodatne mjere opreza i budite oprezni kada obavljate radove održavanja, servisiranja ili zamjene reznog priključka ili drugih priključaka.

⚠ UPOZORENJE! Radi sprečavanja teških tjelesnih povreda, prije servisiranja, čišćenja, promjene priključaka ili uklanjanja materijala iz jedinice izvadite komplet baterija iz alata.

ČIŠĆENJE JEDINICE

- Jedinicu čistite vlažnom krpom i blagim deterdžentom.
- Za čišćenje plastičnog kućišta ili rukohvata nemojte upotrebljavati jake deterdžente jer mogu ih oštetiti neka aromatična ulja, kao što su borovo i limunovo ulje i rastvori kao što je kerozin. Vлага može izazvati opasnost od strujnog udara. Vlažna mjesta obrišite mekanom suhom krpom.
- Za čišćenje zračnih ventilacijskih otvora na stražnjem kućištu upotrebljavajte malu četku ili ispuštanje zraka iz male četke usisivača.

OŠTRENJE NOŽA ZA REZANJE REZNE NITI

⚠ UPOZORENJE! Kada obavljate radove održavanja na noževima za rezanje rezne niti, uvijek zaštitite ruke nošenjem debelih rukavica.

1. Uklonite nož za rezanje rezne niti sa štitnika.
2. Nosite propisnu zaštitu za oči i rukavice i budite oprezni kako biste izbjegli posjekotine.
3. Osigurajte nož u škripcu.
4. Pažljivo obradite rezne bridove noža turpijom s finim zupcima ili kamenom za oštrenje, održavajući pritom originalni ugao reznog brida.
5. Ponovo stavite nož na štitnik i osigurajte ga s dva vijka.

SKLADIŠTENJE JEDINICE

- Izvadite komplet baterija iz trimera s reznom niti kada ga ne upotrebljavate.
- Alat dobro očistite prije skladištenja.
- Jedinicu skladištite na suhom, dobro prozračenom mjestu koje je moguće zaključati ili koje je na visini izvan dohvata djece. Jedinicu nemojte skladištiti na gnojivima, benzinu ili drugim hemikalijama ili u njihovoj blizini.

Zaštita životne sredine



Električnu opremu, punjač baterije i baterije/punjive baterije ne odlažite u kućni otpad!

Evropska Direktiva 2012/19/EU o električnoj i elektroničkoj opremi koja više nije iskoristiva i Evropska Direktiva 2006/66/EZ zahtijevaju da se neispravni ili iskorišteni kompleti baterija/baterije moraju sakupljati zasebno.

Ako se električni uređaji odlažu na odlagališta otpada ili deponije, opasne tvari mogu iscurjeti u podzemne vode i dospjeti u lanac ishrane i negativno uticati na zdravlje i dobrobit ljudi.

OTKLANJANJE PROBLEMA

PROBLEM	UZROK	RJEŠENJE
Trimer s reznom niti moguće pokrenuti.	<ul style="list-style-type: none"> ■ Komplet baterija nije pričvršćen na trimer s reznom niti. ■ Nema električnog kontakta između trimera i baterije. ■ Komplet baterija je ispražnjen. ■ Dugme za deblokadu i okidač ne pritišću se istovremeno. 	<ul style="list-style-type: none"> ■ Pričvrstite komplet baterija na trimer s reznom niti. ■ Izvadite bateriju, provjerite kontakte i ponovo stavite komplet baterija. ■ Napunite komplet baterija. ■ Pritisnite dugme za deblokadu i držite ga pritisnutom, a zatim pritisnite okidač kako biste uključili trimer s reznom niti.
Trimer s reznom niti zaustavlja se tokom rezanja.	<ul style="list-style-type: none"> ■ Štitnik nije postavljen na trimer, što rezultira predugačkom reznom niti i preopterećenjem motora. ■ Upotrebljava se teška rezna nit. ■ Osovinu motora ili glavu trimera blokira trava. ■ Motor je preopterećen. ■ Komplet baterija ili trimer s reznom niti je previše vruć. ■ Komplet baterija je odspojen od alata. ■ Komplet baterija je ispražnjen. 	<ul style="list-style-type: none"> ■ Izvadite komplet baterija i postavite štitnik na trimer. ■ Upotrebljavajte preporučenu najlonsku reznú nit prečnika ne većeg od 2,4 mm. ■ Zaustavite trimer, izvadite bateriju i očistite travu s osovine motora i glave trimera. ■ Očistite glavu trimera od trave. Motor će se povratiti po uklanjanju opterećenja. Glavu trimera prilikom rezanja pomjerajte u travu i iz trave i jednim rezom ne uklanjajte više od 20 cm dužine. ■ Pričekajte da se komplet baterija ili trimer ohlade na temperaturu ispod 67 °C. ■ Ponovo stavite komplet baterija. ■ Napunite komplet baterija.

PROBLEM	UZROK	RJEŠENJE
Glava trimera ne izvlači reznu nit.	<ul style="list-style-type: none"> ■ Osovinu motora ili glavu trimera blokira trava. ■ U držaču kalema nema dovoljno rezne niti. ■ Glava trimera je zaprišana. ■ Rezna nit zapetjela se u držaču kalema. ■ Rezna nit je prekratka. 	<ul style="list-style-type: none"> ■ Zaustavite trimer, izvadite bateriju i očistite travu s osovine motora i glave trimera. ■ Izvadite bateriju i zamijenite reznu nit; slijedite uputstva u poglavlju "ZAMJENA REZNE NITI" u ovom uputstvu za upotrebu. ■ Izvadite bateriju i očistite držač kalema i kućište kalema. ■ Izvadite bateriju, uklonite reznu nit iz držača kalema i ponovo je namotajte; slijedite uputstva u poglavlju "ZAMJENA REZNE NITI" u ovom uputstvu za upotrebu. ■ Izvadite bateriju i povucite rezne niti dok naizmjenično pritišćete i otpuštate glavu trimera.
Trava se omotava oko glave trimera i kućišta motora.	<ul style="list-style-type: none"> ■ Visoka trava reže se od nivoa tla. 	<ul style="list-style-type: none"> ■ Visoku travu režite odozgo prema dolje i pritom ne režite više od 20 cm u svakom prolazu kako biste izbjegli omotavanje.
Nož ne reže reznu nit.	<ul style="list-style-type: none"> ■ Nož za rezanje rezne niti na rubu štitnika je tup. 	<ul style="list-style-type: none"> ■ Nož za rezanje rezne niti naoštrite turpijom ili ga zamijenite novim.
Pukotine na glavi trimera ili držač kalema se otpustio s kućišta kalema.	<ul style="list-style-type: none"> ■ Glava trimera je istrošena. 	<ul style="list-style-type: none"> ■ Neposrednu zamjenu glave trimera prepustite kvalifikovanom servisnom tehničaru.
Tokom zamjene rezne niti, reznu nit nije moguće propisno uvući u glavu trimera.	<ul style="list-style-type: none"> ■ Crtice LOAD na držaču kalema nisu poravnate s ušicama u kućištu kalema. ■ Rezna nit nije ispravno umetnuta u montažni provrt u ušici. 	<ul style="list-style-type: none"> ■ Okrenite držač kalema u smjeru strelice kako biste crtice LOAD na držaču kalema poravnali s ušicama u kućištu kalema. ■ Prvo poravnajte crtice LOAD s ušicama, a zatim reznu nit umetnite u montažni provrt koji se nalazi u ušici.

GARANCIJA

POLITIKA GARANCIJE PROIZVOĐAČA EGO

Za sve odredbe i uslove politike garancije proizvođača EGO posjetite internetsku stranicu egopowerplus.com.

קראו את כל ההוראות!



קראו את מדריך ההוראות למפעיל

⚠ סיכון שאריתי! אנשים בעלי מכשירים חשמליים כגון קוצבי לב, צריכים להתייעץ עם הרופא(ים) המטפל(ים) בהם לפני השימוש במכשיר זה. הפעלה של ציוד חשמלי בקרבת קוצבי לב עלולה להפריע לפעולת הקוצב או אפילו להפסיק את פעולתו.

⚠ אזהרה: על מנת להבטיח בטיחות ואמינות, יש לבצע את כל התיקונים וההחלפות בעזרת טכנאי שירות מוסמך.

סימני בטיחות

מטרתם של סימני הבטיחות היא למשוך את תשומת לבכם אל סכנות אפשריות. סימני הבטיחות וההסברים שלהם דורשים את תשומת הלב וההבנה המלאות שלכם. סימני הבטיחות בעצמם לא ימנעו כל סכנה. ההוראות והאזהרות אותן הם מספקים לא תחלפנה נקטת אמצעי מניעה מתאימים בעת תאונה.

⚠ אזהרה: וודאו שאתם קוראים ומבינים את כל הוראות הבטיחות המופיעות במדריך זה למשתמש, כולל את כל סימני התרעות הבטיחות כגון, "סכנה", "אזהרה" ו-"זהירות" לפני השימוש במכשיר זה. אי מילוי אחר כל ההוראות המופיעות למטה יכול לגרום אחריו שוק חשמלי, שרפה ו/או פציעות חמורות.

פירוש הסימן

⚠ סימן התרעת בטיחות: מעיד על "סכנה", "אזהרה" או "זהירות". יכול להיות מלווה בסימנים או תמונות אחרים.

הוראות בטיחות

עמוד זה מציין ומתאר את סימני הבטיחות העלולים להופיע על גבי המוצר. קראו, הבינו ועקבו אחר ההוראות המופיעות על המכונה לפני כל ניסיון להרכיב ולהשתמש בה.

	התרעת בטיחות	מראה על סכנת פציעה אישית פוטנציאלית.
	קראו את מדריך ההוראות	על מנת להפחית את הסיכון לפציעות, על המשתמש לקרוא ולהבין את המדריך למשתמש לפני השימוש במוצר זה.

	לבשו מגני עיניים	ענדו תמיד משקפי מגן או משקפי בטיחות עם הגנה צדדית, ובעת הצורך, הגנה עבור כל הפנים, בעת הפעלת מכשיר זה.
	לבשו מגני אוזניים	השתמשו תמיד במחסומי קול (אזניות או אטמי אוזניים) על מנת להגן על השמיעה שלכם.
	רחב חיתוך	רחב החיתוך המקסימלי של חוט הגוזם
	קוטר החוט	קוטר חוט החיתוך מניילון
	לבשו מגני ראש	לבשו כובע קשה מאושר על מנת להגן על הראש שלכם.
	לבשו כפפות מגן	הגנו על הידיים שלכם עם כפפות בעת הטיפול בבלה או במגן הלהב. כפפות כבדות, שאינן מחליקות, משפרות את האחיזה שלכם ומגונות על הידיים שלכם.
	לבשו נעליים בטוחות	נעלו נעליים בטוחות שאינן מחליקות בעת השימוש בציוד.
	היו זהירים מנעיצת להב	זהירו את המפעיל מפני סכנה של נעיצת להב.
	ריקושט ובקשו מאנשים אחרים להתרחק מן המכונה	עצמים עלולים להיזרק ולגרום לפציעה אישית או לנזק לרכוש. וודאו שאנשים אחרים וחיות מחמד נמצאים רחוק ממסחת הדשא בעת השימוש בה.
	בקשו מאנשים אחרים להתרחק מן המכונה	וודאו שאנשים אחרים וחיות מחמד נמצאים במרחק של לפחות 15 מ' מגוזם הדשא בעת השימוש בו.
	לא להב עגול	נא לא להתקין להבי חיתוך עגולים.
	נא לא לחשוף לגשם	נא לא להשתמש במזג אוויר גשום או להשאיר בחוץ בגשם.
	CE	מוצר זה הנו בהתאם לתקנות ה-EC הרלוונטיות.

	WEEE	אין לזרוק מוצרים חשמליים כחלק מכל אשפה ביתית. הביאו את המכשיר למרכז מחזור מוסמך.
	רעש	רמת עוצמת קול מובטחת. פליטת רעש אל הסביבה בהתאם לתקנת האיחוד האירופי.
V	וולט	וולטז'
	זרם ישיר	סוג או מאפיין מתח
η_0	מהירות ללא עומס	מהירות סיבובית, ללא עומס
min^{-1}	לדקה	סיבובים לדקה

אזהרות בטיחות כלליות עבור מכשירים חשמליים

⚠ אזהרה: קראו את כל אזהרות הבטיחות, את ההוראות, התמונות והמפרטים המסופקים ביחד עם מכשיר חשמלי זה. אי מילוי אחר כל ההוראות המופיעות למטה יכול לגרום אחריו שוק חשמלי, שרפה ו/או פציעות חמורות.

שימרו את כל האזהרות וההוראות לעיון עתידי.

המושג "מכשיר חשמלי" בחלק האזהרות מתייחס אל המכשיר החשמלי שלכם (חוסטי) או מכשיר חשמלי המונע על ידי סוללות (אלחוסטי).

בטיחות סביבת העבודה

- שימרו על סביבת העבודה נקייה ומוארת כהלכה. סביבות לא מסודרות ואפלות מזמינות תאונות.
- אל תפעילו את המכשיר החשמלי באזורים דליקים, בנוכחות נוזלים דליקים, גזים או אבק. המכשירים החשמליים מייצרים ניצוצות העלולים להצית את האבק או האדים.
- בקשו מילדים ומעוברי אורח להתרחק מן המכשיר החשמלי בעת הפעלתו. הסחות דעת עלולות לגרום לכם לאלבד את השליטה.

בטיחות אישית

- הישארו דרוכים, הביטו במה שאתם עושים והשתמשו בשכל הישר כאשר אתם משתמשים במכשיר החשמלי. נא לא להשתמש במכשיר החשמלי כאשר אתם עייפים או תחת השפעה של סמים, אלכוהול או תרופות. רגע אחד של חוסר תשומת לב בעת הפעלת המכשיר החשמלי עלול לגרום לפציעה אישית חמורה.

- השתמשו בציוד הגנה אישי. **תמיד לבשו מגני עיניים.** כאשר נעשה שימוש בציוד הגנה כגון מסכת אבק, נעלי בטיחות נגד החלקה, כובעים קשים או מגני אוזניים, בתנאים המתאימים, הדבר יפחית את הסיכון לפציעות אישיות חמורות.

- מנעו הפעלה מקרית. וודאו שהמתג נמצא במצב כבוי לפני חיבור של מקור מתח ו/או מארז הסוללה, לפני הרמת המכשיר החשמלי או אישיתו.** נשיאה של מכשירים חשמליים כאשר האצבע שלכם ממוקמת על המתג או חיבור מקורות מתח למכשירים חשמליים במצבים במצב פועל, מזמינים תאונות.

- הסירו כל כלי כונון או מפתח ברגים לפני ההפעלה של המכשיר החשמלי.** מפתח ברגים או כלי כונון המוצמד אל חלק מסתובב של המכשיר החשמלי עלולה לגרום לפציעה אישית חמורה.

- אל תבצעו מאמץ יתר. שימרו על צעידה ואיזון בטוחים בכל זמן.** הדבר מאפשר שליטה טובה יותר במכשיר החשמלי במצבים לא צפויים.

- לבשו בגדים מתאימים. אל תלבשו בגדים רפויים או תכשיטים.** שימרו על השיער שלכם ועל חלקי ביגוד וכפפות הרחק מחלקים נעים. בגדים רפויים, תכשיטים או שיער ארוך עלולים להתפס בחלקים הנעים.

- אם המכשירים מגיעים ביחד עם חיבור להוצאת אבק ומתקני איסוף, וודאו שאלו מחוברים כהלכה והשימוש בהם נעשה באופן נכון.** השימוש במתקני אבק יכול להפחית סכנות הקשורות לאבק.

- אל תאפשרו לעצמכם להיות פחות זהירים בגלל שימוש תכוף במכשיר החשמלי, אל תהיו שאננים ואל תתעלמו מעקרונות הבטיחות.** פעולה לא זהירה עלולה לגרום לפציעה חמורה בשבירר שנייה.

השימוש והטיפול במכשיר החשמלי

- אל תפעילו כוח על המכשיר החשמלי. השתמשו במכשיר החשמלי המיועד למטרה שלכם.** המכשיר החשמלי הנכון יבצע את עבודתו בצורה טובה ובטוחה יותר בקצב בו הוא עוצב.
- אל תשתמשו במכשיר החשמלי אם מתג ההפעלה והכיבוי איננו פועל.** כל מכשיר חשמלי אשר לא ניתן לשלוט בו בעזרת המתג הוא מסוכן ויש לתקן אותו.
- אחסנו מכשירים חשמליים אשר אינם בשימוש הרחק מהישג ידם של ילדים ואל תאפשרו לאנשים אשר אינם מכירים את המכשיר החשמלי או אשר לא קראו את ההוראות להפעיל את המכשיר החשמלי.** מכשירים חשמליים מסוכנים בידם של אנשים אשר לא הוכשרו להפעיל אותם.
- תחזקו מכשירים חשמליים ואביזרים. בדקו יישור או ליופף של חלקים נעים, שבירה של חלקים וכל תנאים אחרים אשר עלולים להשפיע על פעולת המכשיר החשמלי.** אם המכשיר החשמלי ניזוק, יש לתקן אותו לפני השימוש בו. תאונות רבות נגרמות כתוצאה מתחזוקה לקייה מכשירים חשמליים.

שירות

- שימרו על כלי החיתוך חדים ונקיים. לכלי חיתוך אשר תוחזקו כהלכה בעלי קצוות חדים יש פחות סיכוי לבצע ליפוף וקל יותר לשלוט בהם.
- השתמשו במכשירים החשמליים, באבזרים, בחתיכות המכשירים וכו' בהתאם להוראות אלו, כאשר אתם לוקחים בחשבון את תנאי העבודה ואת העבודה שיש לבצע. שימוש במכשיר החשמלי לפעולות אחרות מאשר אלו אליהן הוא מיועד עלול להסתיים במצב מסוכן.
- שימרו על הידיות ועל חלקי האחיזה יבשים, נקיים וללא שמן או מומרי סיכה. ידיות ומשטחי אחיזה מחליקים לא מאפשרים טיפול נכון ושליטה במכשיר במצבים לא צפויים.

- שימרו על כבלים הרחק מאזור העבודה של המכשיר. בעת הפעלה הכבלים עלולים לא להיות גלויים לעין וניתן לפגוע בהם במקרה עם המכשיר.

השימוש והטיפול בסוללה

- הטעינו רק עם המטען המצוין על ידי היצרן. מטען המתאים למארז סוללה אחד עלול ליצור סכנת אש עבור מארז סוללה אחר.
- השתמשו במכשירים חשמליים עם מארזי סוללה המיועדים להם. השימוש במארזי סוללה אחרים עלול ליצור סיכון לפגיעות ושרפות.

- כאשר מארז הסוללה איננו בשימוש, שימרו עליו במרחק מסוים מעצמים אחרים העשויים ממתכת, כגון מהרקה, נייר, מטבעות, מפתחות, מסמרים, ברגים או עצמים קטנים ממתכת העלולים לבצע חיבור של מסוף אחד למשנהו. ביצוע קצר בין מסופי הסוללה עלול לגרום לכויית או שרפה.

- תחת תנאי שימוש לא נאותים, נודל עלול להיפלט מן הסוללה; הימנעו ממגע. אם ישנו מגע מקרי, שטפו במים; אם מתרחש מגע עם העיניים, בנוסף פנו לעזרה רפואית. נודל הנפלט מן הסוללה עלול לגרום לפריחה או כוויית.

- אל תשתמשו במארז סוללה או מכשיר חשמלי ניזוקים או אשר שונה. סוללות ניזוקות או אשר שונו עלולות להתנהג בצורה לא צפויה אשר עלולה להסתיים בשרפה, פיצוץ או סיכון לפגיעה אישית.

- אל תחשפו את מארז הסוללה או את המכשיר או אש או טמפרטורות גבוהות. חשיפה אל אש או טמפרטורות הגבוהות מ-100°C עלולה לגרום לפיצוץ.

- מילאו אחר כל הוראות ההטענה ואל תטעינו את מארז הסוללה או את הכלי החשמלי מחוץ לטווחי הטמפרטורה המצוינים בהוראות אלו. הטענה לא נכונה או מחוץ לטווחי הטמפרטורה המצוינים עלולים לגרום לנזק ולהעלות את הסיכון לשרפה.

- ביצעו עבודות שירות על המכשיר החשמלי שלכם רק באמצעות טכנאי שירות מוסמך העושה שימוש רק בכלי חילוף זהים. הדבר יבטיח שבטיחות המכשיר החשמלי נשמרת.

- לעולם אל תבצעו עבודות שירות למארזי סוללה ניזוקים. שירות למארזי סוללה צריך להתבצע רק על ידי היצרן או ספקי שירות מוסמכים.

- **אזהרה!** קראו את כל אזהרות הבטיחות, את ההוראות, התמונות והמפרטים המסופקים ביחד עם מכשיר חשמלי זה. אי מילוי אחר כל ההוראות המופיעות למטה יכול לגרום אחריו שוק חשמלי, שרפה ו/או פגיעות חמורות. שימרו את כל האזהרות וההוראות לעיון עתידי.

שימרו את כל האזהרות וההוראות לעיון עתידי

הכשרה

- קראו את ההוראות בעיון. למדו היטב את הבקורת ואת השימוש המתאים במכשיר.
- לעולם אל תרשו לאנשים או ילדים אשר אינם מכירים הוראות אלו להשתמש במכשיר. תקנות מקומיות עלולות להגביל את גיל המפעיל.
- המפעיל או המשתמש אחרים עבור כל תאונה או סכנה אשר עלולים להתרחש לאנשים אחרים או לרכושם.

הכנה

- לעולם אל תפעילו את המכונה כאשר ישנם אנשים, במיוחד ילדים, או חיות מחמד בסביבה.
- השתמשו בהגנה לעיניים ובנעליים מוצקות בעת השימוש במכשיר.
- המרחק בין המכשיר ובין האנשים הנמצאים בקרבתה צריך להיות לפחות 15 מ'.
- לעולם אל תפעילו את המכשיר כאשר המפעיל עייף, חולה או תחת השפעת אלכוהול או סמים אחרים.

הפעלה

- השתמשו במכשיר רק באור יום או באור מלאכותי חזק.
- לעולם אל תעשו שימוש במכשיר עם מגנים ניזוקים או מגנים אשר אינם נמצאים במקומם.
- הפעילו את המנוע רק כאשר הידיים והרגליים נמצאות מחוץ לטווח אמצעי החיתוך.
- נתקו תמיד את המכשיר ממקור המתח (או הסירו את מארז הסוללה).
- כאשר אין אף אחד בקרבת המכונה;
- לפני ניקיון של מחסום;
- לפני בדיקה, ניקיון או עבודה על המכשיר;
- לאחר פגיעה בעצם זר;
- כאשר המכשיר מתחיל לרטוט בצורה שאיננה נורמלית.

- היו זיהורים מפני פציעות של ידיים ורגליים על ידי אמצעי החיתוך.
- וודא תמיד שפתחי האוורור נקיים מכל אשפה.
- **תחזוקה ואחסון**
- נתקו את מקור המתח מן המכשיר (או הסירו את מארז הסוללה) לפני כל ביצוע של עבודות תחזוקה או ניקיון.
- השתמשו רק בחלקי חילוף ואביזרים המומלצים על ידי היצרן.
- בדקו ותחזקו את המכשיר באופן סדיר. תקנו את המכונה רק בעזרת טכנאי המוסמך לכך.
- כאשר איננה בשימוש, אחסנו את המכונה מחוץ להישג ידם של ילדים.
- **אזהרות בטיחות אחרות**
- הימנעו מסביבות מסוכנות - אל תשתמשו במסכת הדשא במקומות לחים או רטובים.
- שימרו על המגנים במקומם ופועלים כהלכה.
- שימרו על הידיים והרגליים מחוץ לאזור החיתוך.
- על מנת להפחית את הסיכון לפציעה, לעולם אל תעבדו על סולם או על עצמים לא בטוחים אחרים. לעולם אל תחזיקו את יחידת החיתוך מעל לקו המותניים.
- בדקו את יחידת החיתוך בטווחי זמן סדירים בעת ההפעלה, או מיד אם מתרחש שינוי בולט באופן החיתוך.
- עבור התוצאות הטובות ביותר, הטעינו את הסוללה שלכם במקומות בהם הטמפרטורה גבוהה מ- 5°C ונמוכה מ- 40°C . אל תאחסנו את המכשיר בחוץ או בכלי רכב.
- אם אתם רואים מישהו מתקרב, עצרו את המנוע ואת יחידת החיתוך מיד.
- הזהירו את המפעיל מפני הסכנה לנעיצת להב (רק בשימוש עם להב בעל 3 שיניים).
- נעיצת להב עלולה להתרחש כאשר הלהב המסתובב בא במגע עם עצם אשר הוא לא חותך מיד.
- נעיצת הלהב יכולה להיות אלימה מספיק על מנת לגרום ליחידה ו/או למפעיל להזיז בכל כיוון, ולאבד את השליטה על היחידה.
- נעיצת להב עלולה להתרחש ללא אזהרה עם הלהב נקרע, נתקע או נכרך.
- נעיצת להב עלולה להתרחש בסביבות בהם קשה לראות את החומר הנחתך.
- אל תצמידו כל להב אל יחידות ללא התקנה מתאימה של כל החלקים הנדרשים. אי השימוש בחלקים הנכונים עלול לגרום ללהב לעוף ולגרום לפציעה אשית של המפעיל ו/או עוברי אורח. אל תשתמשו בלהבים עקומים, מלופפים, שבורים או ניזוקים בכל דרך שהיא. השתמשו בלהב חד. קרוב לוודאי שלהב קהה ייתפס או ינעץ (רק בשימוש עם להב בעל 3 שיניים).
- להב/חוט גולש עלול לגרום לפציעה בגלל שהוא ממשיך להסתובב לאחר עצירת המנוע או לאחר שחרור ההדק. שימרו על שליטה מתאימה עד לעצירה המלאה של הלהב/החוט.
- A השתמשו רק עם מארזי הסוללה והמטענים הרשומים באיור
- כלי הסוללה לא צריכים להיות מחוברים אל החשמל; לכן, הם תמיד נמצאים במצב הפעלה. היו מודעים לסכנות גם כאשר המכשיר איננו פועל. היו זהירים בעת ביצוע עבודות תחזוקה או שירות.
- נא לא לשטוף את המכשיר בעזרת צינור; מנעו ממים להיכנס אל המנוע ואל חיבורי החשמל.
- אם תיתקלו במצבים שאינם מתוארים במדריך זה, פעלו בהירות ובעזרת שכל ישר. צרו קשר עם מרכז שירות הלקוחות של EGO לעזרה.

שימרו על הרואות אלו!

מפרטים

56 V	וולטז'
4000-5800 דקה	מהירות ללא עומס
ראש בליטה	מנגנון חיתוך
חוט ניילון מפותל של 2.4 מ"מ	סוג חוט חיתוך
38 ס"מ	רוחב חיתוך
$0^{\circ}\text{C}-40^{\circ}\text{C}$	טמפרטורת הפעלה מומלצת
$-20^{\circ}\text{C}-70^{\circ}\text{C}$	טמפרטורת אחסון מומלצת
3.2 ק"ג	משקל (ללא מארז סוללה)
92.6 dB(A) K=0.8 dB(A)	רמת עוצמת קול נמדדת L_{WA}
72.6 dB(A) K=2.5 dB(A)	רמת לחץ קול באוזן המפעיל L_{PA}
93 dB(A)	רמת עוצמת קול מובטחת L_{WA} (נמדדת על פי 2000/14/EC)
3.5 מ' /שנייה ² K=1.5	רטר a_n
1.2 מ' /שנייה ² K=1.5	

- ערך הרטר הכללי המוצהר נמדד בהתאם עם שיטת בדיקה סטנדרטית ונעeten להשתמש בו על מנת להשוות ציוד אחד עם ציוד אחר;
- ניתן להשתמש בערך הרטר הכללי המוצהר בהערכה ראשונית של חשיפה.

הודעה: פליטת הרטט בעת השימוש המעשי בכלי יכולה להיות שונה מן הערך המוצהר כאשר הכלי נמצא בשימוש; על מנת להגן על המפעיל, על המשתמש ללבוש כפפות ומגני אוזניים בעת השימוש למעשה.

רשימת אריזה

שם חלק	כמות
גוזם חוט	1
מגן	1
הרכבת ידית עזרה קדמית	1
רצועת כתף	1
מפתח ברגים	1
מדריך הוראות	1
רוחב חיתוך	1

תיאור

הכירו את גוזם החוט שלכם (תמונה A)

1. ידית אחורית
2. מתג הדק
3. כפתור נעילה
4. ידית עזרה קדמית ניתנת לכוונן
5. רצועת כתף
6. מוט
7. מגן
8. כפתור שחרור סוללה
9. בריח
10. חיבורים חשמליים
11. מנגנון פליטה
12. ראש גוזם (ראש בליטה)
13. כפתור העמסת חוט
14. רוחב חיתוך
15. לשונית שחרור
16. להב חוט החיתוך
17. מפתח משושה

הרכבה

⚠ אזהרה: אם ישנם חלקים ניזוקים או חסרים, אל תפעילו את המכשיר עד אשר חלקים אלו יוחלפו. שימוש במכשיר זה עם חלקים פגומים או חסרים עלול לגרום לפגיעה אישית חמורה.

⚠ אזהרה: אל תנסו לשנות את המוצר או ליצור אביזרים אשר אינם מומלצים לשימוש ביחד עם הגוזם. כל שינוי שכזה או הוספה מהווה שימוש לא נכון במכשיר ועלול לגרום לתאגים מסוכנים אשר יובילו לפגיעה אישית אפשרית.

⚠ אזהרה: על מנת למנוע הפעלה מקרית אשר עלולה להוביל לפגיעה אישית חמורה, הסירו תמיד את מארז הסוללה מן המכשיר בעת הרכבת חלקים.

הרכבת המגן

⚠ אזהרה: לבשו תמיד כפפות בעת הרכבת או החלפת המגן. היו זהירים עם הלהב שעל גבי המגן והגנו על הידיים שלכם.

⚠ אזהרה: לעולם אין להפעיל את הכלי כאשר המגן אינו נמצא במקומו. על המגן להיות תמיד על גבי הכלי על מנת לנגן על המשתמש! כאשר המגן נמצא במקומו, לעולם אין לנסות להסיר או לכוונו את המגן. אם יש צורך להחליף את המגן, על הדבר להיעשות על ידי טכנאי שירות מוסמך!

יישרו את שני הברזים, אשר מורכבים מראש על גבי המגן, עם שני חורי הברגים בתוך המוט (תמונה B) ולאחר מכן הדקו אותם עם המפתח המשושה המסופק (תמונה C).

וודאו שהמגן נעול במקומו בהתאם לתמונות B ו-C, כל נעילה הפוכה תגרום לסכנה גדולה!

הרכבה וכוונון של ידית העזרה הקדמית

דחפו את ידית העזרה הקדמית אל המוט (תמונה E), לאחר מכן הכניסו את בלוק ההידוק אל חריץ הידית (תמונה F), הרכיבו את מוט הנעילה ונעלו אותם בעזרת אום הכנף (תמונה G). ניתן לראות רצף זה בתמונה D. לבסוף, כווננו את ידית העזרה הקדמית בין השרול הרך והתווית על מנת להבטיח שהיד הקדמית שלכם ישירה בעת השימוש בגוזם (תמונה H) ולאחר מכן נעלו את דוושת מוט הנעילה (תמונה I).

ראו למטה תיאור חלקים בתמונות H ו-D:

D-1	ידית עזרה קדמית	D-4	אום הידוק
D-2	מוט נעילה	H-1	שרול רך
D-3	מוט הידוק	H-2	תווית אזהרה:

הודעה: יש לסובב את ידית העזרה הקדמית כלפי מעלה לכיוון החלק העליון של הידית האחורית.

⚠ אזהרה: קיבעו את ידית העזרה הקדמית בין השרול הארוך והתווית על הפיר בלבד.

⚠ אזהרה: לא ניתן יהיה להשתמש בכלי ללא ידית העזרה הקדמית קבועה במקומה בבטחה.

על מנת להסיר

לחצו על כפתור שחרור הסוללה ומשכו את מארז הסוללה החוצה כפי שניתן לראות התמונה L.

ראו למטה תיאור חלקים בתמונות K1 ו-K2:

K-1	מארז סוללה BA3360/BA4200 BA4200T/ BA5600T/	K-4	בריח
K-2	מתאם	K-5	חריץ הרכבה
K-3	רתמת גב		

הרכבת רצועת הכתף

1. שחררו והסירו את הבריח הנמצא בוו הרצועה (תמונות J1 ו-J2).

2. הצמידו את הוו אל המוט בהתאם לתמונה J3 ונעלו אותו בעזרת הבריח (תמונה J4).

⚠ אזהרה: קיבעו את וו הרצועה בין מקום ההרכבה והשרול הארוך על גבי הפיר בלבד.

הפעלה

⚠ אזהרה: אל תניחו לעובדה שאתם מכירים את המוצר להפוך אתכם לפחות זהירים. זכרו שחסור זהירות של שבריר אחד של שנייה מספיק לגרום לפציעה אישית חמורה.

⚠ אזהרה: ענדו תמיד משקפי מגן או משקפי בטיחות עם הגנה צדדית, ביחד עם מגני שמיעה. אם לא תעשו זאת עצמים עלולים להיזרק אל תוך העיניים שלכם ועלולות להיגרם פציעות חמורות.

⚠ אזהרה: אל תעשו שימוש בחיבורים או אביזרים אשר לא הומלצו על ידי יצרן מוצר זה. השימוש בחיבורים או אביזרים אשר לא הומלצו על ידי היצרן עלול לגרום לפציעה חמורה.

⚠ אזהרה: על מנת למנוע פציעות אישיות חמורות, הסירו את מארז הסוללה מן הכלי לפני ביצוע כל עבודות שירות, ניקיון, החלפת צרופות או הסרה של חומרים מן היחידה.

אתם יכולים להשתמש במוצר רק עבור המטרות למטה:

גזיזים: בשימוש להסרת דשא ועשבים כנגד קירות, גדרות, עצים ושוליים.

חיתוך: בשימוש לחיתוך דשא אשר קשה להגיע אליו עם מכסחות דשא רגילות.

הודעה: יש להשתמש במוצר רק עבור המטרות להן הוא יועד. כל שימוש אחר, לדוגמה גזיזים קצוות, יחשב לשימוש בלתי הולם.

הצמדה/הסרה של מארז הסוללה

הודעה: לאיזון טוב יותר, כאשר אתם עושים שימוש בסוללות BA3360/BA4200/BA4200T/BA5600T, אנא חברו זאת אל רתמת הגב (BH1000).

הטעינו לפני השימוש הראשון.

על מנת להצמיד

יישרו את העורקים עם חריצים ההרכבה על גבי מכסה השק ולחצו את העורק כלפי מטה עד אשר יישמע "קליק" (תמונה K2).

החזקת גוזם החוט

⚠ אזהרה: לבשו בגדים מתאימים על מנת להפחית את הסיכון לפציעות בעת השימוש בכלי זה. אל תלבשו בגדים רפויים או תכשיטים. השתמשו בהגנה לעיניים / אוזניים. לבשו בגדים כבדים, מכנסיים ארוכים, מגפיים וכפפות. אל תלבשו מכנסיים קצרים, סנדלים או הפעילו כאשר אתם יחפים.

לפני ההפעלה, החזיקו את הגוזם עם שתי הידיים, יד אחת על הידית האחורית והיד השנייה תהיה ישרה על ידידת העזרה הקדמית (תמונה M). לאחר מכן בדקו שהציבה שלכם מאוזנת ושמרחק החיתוך מתאים.

הודעה: ראש הגוזם מקביל לקרקע במרחק חיתוך מתאים ללא צורך שהמעיל יתכופף.

הפעלה/ניבוי של גוזם הדשא

על מנת להפעיל

לחצו על כפתור הנעילה כלפי מטה ושחררו את ההדק. תוצאה של לחץ שונה על ההדק תהיה מהירויות סיבוב שונות של חוט החיתוך. ככל שהלחץ יהיה גבוה יותר, המהירות תהיה גבוהה יותר.

על מנת לכבות

שחררו את כפתור הנעילה ואת ההדק.

הודעה: המנוע פועל רק כאשר כפתור הנעילה וההדק לחוצים שניהם.

⚠ אזהרה: הסירו תמיד את מארז הסוללה מגוזם הדשא בעת הפסקות ולאחר סיום העבודה.

השימוש בגוזם הדשא

⚠ אזהרה: על מנת למנוע פציעות אישיות חמורות, השתמשו במשקפיים או משקפי מגן בעל זמן בו אתם מפעילים את היחידה. לבשו מסכת פנים או מסכת אבק במקומות מאובקים.

- היזיו באטיות את הגוזם אל ומחוץ לאזור שיש לחתוך, כאשר אתם שומרים על עמדת ראש החיתוך בגובה הרצוי. תנועה זו יכולה להיעשות קדימה-אחורה או מצד לצד. חיתוך של אורכים קצרים יותר יביא לתוצאות טובות יותר.
- חתכו רק כאשר הדשא והעשבים הם יבשים.
- כבלים וגדרות עלולים לגרום לבלאי נוסף או שבירה של החוט. קירות אבנים ולבנים, סיבובים ועץ עלולים לגרום לבלאי החוט מהר יותר.
- הימנעו ממגע עם עצים ושיחים. החוט עלול לגרום נזק לענפי עצים, דגמי עץ, פינות וגדרות.
- ראו למטה תיאור חלקים בתמונה N:

N-1	אזור החיתוך הטוב ביותר	N-2	אזור חיתוך מסוכן
-----	------------------------	-----	------------------

כונן אורך חוט החיתוך

ראש הגוזם מאפשר למפעיל לשחרר יותר חוט חיתוך ללא עצירת המנוע. כאשר חוט החיתוך הופך להיות מושפף או מראה סימני בלאי, ניתן לשחרר חוט חיתוך נוסף על ידי לחיצה קלה על ידית הבליטה בעת הפעלת הגוזם (תמונה O).

הודעה: שחרור החוט יהפוך להיות קשה יותר ככל שחוט החיתוך יהפוך להיות קצר יותר.

⚠ אזהרה: לעולם אל תסירו או תשנו את מערך להב חוט החיתוך. חוט חיתוך ארוך מדי יגרום לחימום יתר של המנוע והדבר עלול לגרום לפציעה אישית חמורה.

החלפת קו החיתוך

הודעה: השתמשו תמיד בחוט החיתוך המתאים מניילון עם היקף קו אשר לא יעלה על 2.4 מ"מ. שימוש בחוט חיתוך אחר מאשר חוט החיתוך המצוין עלול לגרום לחימום יתר של קו הגוזם או לנזקים נוספים.

⚠ אזהרה: לעולם אין לעשות שימוש בחוט המחוזק על ידי מתכת, כבל, חבל וכדומה. דברים אלו עלולים להתנתק מן הגוזם ולהוות סכנה.

חוט הגוזם מצויד עם מערכת מתקדמת לליפוף אוטומטי של החוט. ניתן ללפף את חוט החיתוך אל הסליל פשוט על ידי לחיצת כפתור. העמסה של

סליל מלא תסתיים בתוך 12 שניות. הימנעו מפעולת ליפוף חוזרת בטווחי זמן קצרים על מנת להפחית את הסיכון לנזקים למנוע.

1. הסירו את מארז הסוללה.
2. הסירו את חוט החיתוך הנתון, אם יש צורך בכך. פשוט משכו אותו ביד.
3. חתכו פיסה אחת של חוט חיתוך באורך 4 מ'. הכניסו את החוט אל העינית (תמונה P) ודחפו את החוט עד אשר הקצה השני של החוט יוצא מן העינית נגדית.

נקו את האזור שיש לגזום לפני כל שימוש. הסירו עצמים כגון סלעים, שברי זכוכית, מסמרים, חוטים או כבלים העלולים להזיק או להיתפס בחיבור החיתוך. וודאו שאין ילדים באזור, עוברי אורח ובעלי חיים. כמינימום, שימרו על כל הילדים, עוברי האורח ובעלי החיים במרחק של לפחות 15 מ'; עדיין יכול להיות סיכון לעוברי אורח מעצמים נדוקים. יש לעודד עוברי אורח להשתמש בהגנה על העיניים. אם אתם רואים מישהו מתקרב, עצרו את המנוע ואת חיבור החיתוך מיד.

לפני כל שימוש, בדקו עבור חלקים עם בלאי/ניזוקים

בדקו את ראש הבליטה, את המגן ואת ידית העזרה הקדמית והחליפו את החלקים הסדוקים, המלופפים, המעוקלים או הניזוקים בכל צורה שהיא.

להב חוט החיתוך בקצה המגן הופך להיות קשה עם הזמן. מומלץ להשחזר את להב חוט החיתוך בעזרת פצירה או החליפו בלהב חדש.

⚠ אזהרה: לבשו תמיד כפפות בעת הרכבת המגן או ביצוע עבודות שירות ללהב. היו זהירים עם הלהב שעל גבי המגן והגנו על ידיים שלכם מפני חיתוך.

לאחר כל שימוש, נקו את הגוזם.

⚠ זהירות: מחסומים בפתחי האוורור ימנעו מן האוויר לזרום אל תוך המנוע והתוצאה תהיה חימום יתר או נזקים למנוע.

השתמשו רק בסבון עדין ובמטלית לחה על מנת לנקות את המכשיר. לעולם אל תרשו לנוזלים להיכנס אל תוך הכלי; לעולם אל תטבילו כל חלק של המכשיר בתוך נוזלים.

- שימרו על פתחי האוורור בתא המנוע נקיים מפני חלקי אשפה.

⚠ אזהרה: לעולם אל תעשו שימוש במים על מנת לנקות את הגוזם שלכם. הימנעו משימוש בממסים כאשר אתם מנקים חלקי פלסטיק. רוב חלקי הפלסטיק עלולים להינזק מסוגים שונים של ממסים מסחריים. השתמשו במטליות נקיות על מנת להסיר לכלוך, אבק, שמן, חומר סיכה וכו'.

טיפים לתוצאות הגיזום הטובות ביותר (תמונה N)

- הזווית הכוונה עבור יחידת החיתוך היא במקביל אל הקרקע.
- אל תפעילו כוח על הגוזם. אפשרו לקצה החוט לבצע את הגיזום (במיוחד ליד קירות). חיתוך עם חלקים אחרים מלבד קצה החוט יפחית את יעילות החיתוך ועלול לגרום לעומס יתר של המנוע.
- גובה החיתוך נקבע על ידי המרחק של חוט החיתוך ממשטח הדשא.
- יש לחתוך דשא בגובה מעל 20 ס"מ על ידי עבודה בהדרגה מן החלק העליון אל החלק התחתון בחתיכות קטנות על מנת למנוע בלאי מוקדם של החוט או נזק למנוע.

ראו למטה תיאור חלקים בתמונה P:

P-1	חוט חיתוך	N-3	ענית
P-2	מכסה תחתון		

4. הסירו את הסוללה אם היא הורכבה אל הגוזם בשלב הקודם.

5. דחפו ומשכו את החוט מן הצד השני עד אשר אורכים דומים של חוט נמצאים משני צדדי ראש הגוזם (תמונה Q).

6. הצמידו את מארז הסוללה אל גוזם החוט. לחצו והחזיקו את כפתור העמסת החוט על מנת להפעיל על מנוע הליפוף. החוט ילופף אל תוך ראש הגוזם ללא הפסקה (תמונה R).

7. **הביטו בחירות באורך החוט הנותר. התכוננו לשחרר את הכפתור כאשר נשאר בערך 18 ס"מ של חוט בכל צד.** לחצו בקצרה על כפתור ליפוף החוט על מנת לכוונן את האורך עד אשר בערך 14 ס"מ של חוט יישאר בכל צד.

8. לחצו על ראש הגוזם כלפי מטה בעוד אתם מושכים את החוטים באופן ידני על מנת לקדם את החוט ולבדוק אם חוט החיתוך הורכב באופן נכון.

הודעה: במקרה בו החוט נכנס בטעות אל ראש הגוזם, פתחו את הראש ומשכו את חוט החיתוך מן הסליל. קראו את החלק "העמיסו מחדש את חוט החיתוך" במדריך זה על מנת להעמיס מחדש את החוט.

העמיסו מחדש את חוט החיתוך.

כאשר חוט החיתוך יוצא מיציאת החוט או כאשר חוט החיתוך איננו משתחרר בלחיצה על ראש הגוזם, עקבו אחר הצעדים הבאים למטה על מנת להסיר את החוט הנותר ולהעמיס מחדש את החוט.

1. לחצו על שתי לשוניות השחרור על ראש הגוזם והסירו את ראש הגוזם על ידי משיכתו החוצה בקו ישר (תמונות S-1 ו-S-2).

2. הסירו את חוט החיתוך מראש הגוזם והכניסו את הקפיץ אל חריץ מכסה ההרכבה התחתון (תמונה T).

3. כאשר יד אחת מחזיקה את הגוזם, השתמשו ביד השנייה על מנת לאחוז במכסה ההרכבה התחתון ויישרו את החריצים במכסה ההרכבה התחתון עם לשוניות השחרור. לחצו על מכסה ההרכבה התחתון עד אשר הוא נכנס למקומו, צליל "קליק" ברור יישמע (תמונה U).

4. עקבו אחר ההוראות בחלק "החלפת קו החיתוך" על מנת להטעין מחדש את חוט החיתוך.

ראו למטה תיאור חלקים בתמונות S1 ו-S1:

S1-1	מכסה הרכבה תחתון	U-1	לשונית שחרור
S1-2	לשונית שחרור	U-2	חריץ
T-1	קפיץ		

החלפת ראש הגוזם

⚠ אזהרה: אם הראש עדיין רופף לאחר קיבועו במקומו, החליפו אותו מיד. לעולם אל תשתמשו בגוזם כאשר חיבור החיתוך רופף. החליפו ראש חיתוך סדוק, ניזוק או בעל סימני בלאי מיד, אפילו אם הנזק מוגבל לסדקים שטחיים. חיבורים אלו עלולים להיהרס במהירויות גבוהות ולגרום לפציעה רצינית.

הסירו את ראש הגוזם

1. הסירו את מארז הסוללה מן הגוזם.
2. לחצו על לשוניות השחרור על ראש הגוזם והסירו את ראש הגוזם על ידי משיכתו החוצה בקו ישר (תמונות S1 ו-S-2).
3. הסירו את חוט החיתוך מראש הגוזם (תמונה V).
4. הוציאו את הקפיץ מחיבור הסליל, אם יש תורף בכך. שימושו אותו להרכבה מחדש.
5. לבשו כפפות. השתמשו ביד אחת על מנת לאחוז בחיבור הסליל על מנת לייצב אותו וביד השנייה על מנת לאחוז במפתח פרגים על מנת לשחרר את הבורג נגד כיוון השעון (תמונה W).
6. הסירו את הבורג, את השוטף, את חיבור הסליל ואת המכסה העליון מתא המנוע (תמונה X).
7. עשו שימוש במהדקי פלייר על מנת להסיר את הפלייר. הסירו את חיבור המאוורר (תמונה Y).
8. החליפו עם ראש גוזם חדש והרכיבו אותו על פי הצעדים הבאים:

ראו למטה תיאור חלקים בתמונות X ו-W:

W-1	מפתח ברגים	X-4	בורג
X-1	מכסה עליון	Y-1	חיבור מאוורר
X-2	חיבור סליל	Y-2	פלייר
X-3	שוטף		

חידוד של להב חותך החוט

⚠ אזהרה: הגנו תמיד על ידיים שלכם על ידי לבישת כפפות מוצקות בעת ביצוע כל פעולת תחזוקה בלהב חותך החוט.

התקנת ראש הגוזם החדש

1. יישרו את חריץ המפתח בחיבור המאוורר עם הבליטה בתא המנוע והרכיבו את חיבור המאוורר למקומו (תמונה Z).
2. הרכיבו את הפלייר, את המכסה העליון, את חיבור הסליל ואת השוטף בסדר זה. השתמשו במפתח ברגים על מנת להדק את הבורג.
3. קראו את החלק "העמיסו מחדש את חוט החיתוך" במדריך זה על מנת להרכיב את מכסה ההרכבה התחתון.
4. עקבו אחר ההוראות בחלק "החלפת קו החיתוך" על מנת להטעין מחדש את חוט החיתוך.
5. הפעילו את המכשיר על מנת לראות האם ראש הגוזם פועל כהלכה. אם הוא לא, הרכיבו מחדש על פי הצעדים הקודמים. ראו למטה תיאור חלקים בתמונה Z:

חריץ מפתח	Z-2	בליטה	Z-1
-----------	-----	-------	-----

1. הסירו את להב חותך החוט מן המגן.
2. השתמשו בהגנת עיניים מתאימה וכפפות והיו זהירים לא לחתוך את עצמכם.
3. החזיקו את הלהב בעזרת מלחציים.
4. השתמשו בפצירה לשיני הלהב על מנת לחדד כזהירות את קצוות הלהב או באבן חידוד, כאשר אתם שומרים על הזווית המקורית של קצה החיתוך.
5. הניחו מחדש את הלהב על גבי המגן והבטיחו אותו במקומו עם שני הברגים.

אחסון היחידה

- הסירו את מארז הסוללה מן הגוזם כאשר לא נעשה בו שימוש.
- נקו את היחידה ביסודיות לפני אחסונה.
- אחסנו את היחידה במקום יבש, מאוורר היטב, נעולה או במקום גבוה, הרחק מהישג ידם של ילדים. אל תאחסנו את היחידה קרוב לחומרי דשן, חומרי דלק או כימיקלים אחרים.

לשמור על הסביבה

אל תיזרקו ציוד חשמלי, מטען הסוללה וסוללות/סוללות ניתנות לטעינה ביחד עם אשפה ביתית!



בהתאם לחוק האירופי 2012/19/ EU, ציוד חשמלי ואלקטרוני אשר איננו נמצא יותר בשימוש, ובהתאם לחוק האירופי 2006/66/EC, ציוד חשמלי ואלקטרוני ניזוק, ייאספו באופן נפרד.

אם ציוד חשמלי נזרק ביחד עם אשפה ביתית או במזבלה, חומרים מסוכנים עלולים לנזול אל האדמה ולהפוך לחלק משרשרת המזון, דבר העלול לגרום לנזק לבריאות והרווחה שלכם.

תחזוקה

⚠ אזהרה: במקרה של עבודות תיקון, השתמשו רק בחלקי חילוף זהים. בדקו ותחזקו את המכשיר באופן סדיר. על מנת להבטיח בטיחות ואמינות, יש לבצע את כל התיקונים וההחלפות בעזרת טכנאי שירות מוסמך.

⚠ אזהרה: כלי הסוללה לא צריכים להיות מחוברים אל החשמל; לכן, הם תמיד נמצאים במצב הפעלה. על מנת למנוע פציעות אישיות חמורות, היו מאוד זהירים בעת ביצוע עבודות תחזוקה, עבודות שירות או בעת הטענת חיבור החיתוך או חיבורים אחרים.

⚠ אזהרה: על מנת למנוע פציעות אישיות חמורות, הסירו את מארז הסוללה מן הכלי לפני ביצוע כל עבודות שירות, ניקיון, החלפת צרופות או תוספות, או הסרה של חומרים מן היחידה.

ניקיון היחידה

- נקו את היחידה בעזרת מטלית לחה עם סבון עדין.
- אל תעשו שימוש בחומרי ניקוי חזקים על תא הפלסטיק או על גבי הידית. עלול להיגרם להם נזק על ידי שמנים ארומטיים למיניהם, כגון אורן או לימון, או על ידי מסיים כגון קרוסין. לחות עלולה גם לגרום לסכנת שוק חשמלי. נקו לחות על ידי מטלית רכה ויבשה.
- עשו שימוש במברשת קטנה או במברשת עם זרם האוויר של שואב אבק קטן על מנת לנקות את פתחי האוויר על התא האחורי.

איתור וטיפול בבעיות

פתרון	סיבה	בעיה
<ul style="list-style-type: none"> ■ הצמידו את מארז הסוללה אל גוזם הדשא. ■ הסירו את הסוללה, בדקו את החיבורים והתקינו מחדש את מארז הסוללה. ■ הטעינו את מארז הסוללה. ■ לחצו על כפתור הנעילה כלפי מטה והחזיקו אותו, לאחר מכן שחררו את ההדק על מנת להפעיל את גוזם הדשא. 	<ul style="list-style-type: none"> ■ מארז הסוללה איננו צמוד לחוט הגוזם. ■ לא מתבצע חיבור חשמלי בין הגוזם לסוללה. ■ קיבולת מארז הסוללה ריקה. ■ כפתור הנעילה וההדק אינם משוחררים בזמנית. 	<p>לא ניתן להפעיל את הגוזם.</p>
<ul style="list-style-type: none"> ■ הסירו את מארז הסוללה והרכיבו את המגן על גבי גוזם הדשא. ■ השתמשו בחוט החיתוך המתאים מניילון עם היקף קו אשר לא יעלה על 2.4 מ"מ. ■ הפסיקו את פעולת הגוזם, הסירו את הסוללה והסירו את הדשא מתא המנוע ומראש הגוזם. ■ הסירו את ראש הגוזם מן הדשא. המנוע יחזור לפעילות רגילה ברגע בו העומס יוסר. בעת החיתוך, הזיזו את ראש הגוזם אל הדשא וממנו על מנת לחתוך והסירו לא יותר מ-20 ס"מ אורך בחיתוך יחיד. ■ אפשרו למארז הסוללה או לגוזם להתקרר עד לטמפרטורה של פחות מ-67°C. ■ התקינו מחדש את מארז הסוללה. ■ הטעינו את מארז הסוללה. 	<ul style="list-style-type: none"> ■ המגן איננו מורכב על גבי הגוזם, כאשר התוצאה היא חוט חיתוך ארוך מדי ועומס יתר של המנוע. ■ נעשה שימוש בחוט חיתוך כבד מדי. ■ מוט המנוע או ראש הגוזם מלאים בדשא. ■ ישנו עומס יתר של המנוע. ■ מארז הסוללה או גוזם הדשא חמים מדי. ■ מארז הסוללה מנותק מן המכשיר. ■ קיבולת מארז הסוללה ריקה. 	<p>חוט הגוזם מפסיק את פעולתו בעת החיתוך.</p>

פתרון	סיבה	בעיה
<ul style="list-style-type: none"> ■ הפסיקו את פעולת הגוזם, הסירו את הסוללה והסירו את הדשא מתא המנוע ומראש הגוזם. ■ הסירו את הסוללה, החליפו את חוט החיתוך; עקבו אחר ההוראות בחלק "החלפת קו החיתוך" הנמצא במדריך זה. ■ הסירו את הסוללה ונקו את מאחז הסליל ואת בסיס הסליל. ■ הסירו את הסוללה, הסירו את חוט החיתוך ממאחז הסליל ולפפו מחדש; עקבו אחר ההוראות בחלק "החלפת קו החיתוך" הנמצא במדריך זה. ■ הסירו את הסוללה ומשכו את החוטים כאשר באופן חלופי אתם לוחצים כלפי מטה ומשחררים את ראש הגוזם. 	<ul style="list-style-type: none"> ■ מוט המנוע או ראש הגוזם מלאים בדשא. ■ אין מספיק חוט על גבי מאחז הסליל. ■ ראש הגוזם מלוכלך. ■ חוט החיתוך מפותל בתוך מאחז הסליל. ■ חוט החיתוך קצר מדי. 	<p>ראש הגוזם איננו מקדם את החוט.</p>
<ul style="list-style-type: none"> ■ חתכו דשא גבוה מן החלק העליון כלפי מטה, כאשר אינכם מסירים יותר ה-20 ס"מ בכל מעבר על מנת למנוע ליפוף. 	<ul style="list-style-type: none"> ■ גיזום של דשא גבוה ברמת הקרקע. 	<p>הדשא מלופף סביב ראש הגוזם ותא המנוע.</p>
<ul style="list-style-type: none"> ■ השחזו את להב חוט החיתוך בעזרת פצירה או החליפו בלהב חדש. 	<ul style="list-style-type: none"> ■ להב חוט החיתוך בקצה המגן הופך להיות קהה. 	<p>הלהב איננו חותך את החוט.</p>
<ul style="list-style-type: none"> ■ החליפו את ראש הגוזם מיד על ידי שימוש בטכנאי המוסמך לכך. 	<ul style="list-style-type: none"> ■ ישנם סימני בלאי על ראש הגוזם. 	<p>סדקים על ראש הגוזם או על מאחז הסליל משתחררים ביחד עם בסיס הסליל.</p>
<ul style="list-style-type: none"> ■ סובבו את מאחז הסליל בכיוון החץ על מנת ליישר את חוטי העומס על מאחז הסליל עם העיניות על בסיס הסליל. ■ יישרו את חוטי העומס עם העיניות תחילה ולאחר מכן החדירו את החוט אל חור ההרכבה הנמצא בתוך העינית. 	<ul style="list-style-type: none"> ■ חוטי ההעמסה במאחז הסליל אינם מתיישרים עם העיניות בבסיס הסליל. ■ חוט הקפיץ איננו מוכנס כהלכה אם חור ההרכבה של העינית. 	<p>בעת החלפת החוט, לא ניתן להעמיס את החוט אל ראש הגוזם כהלכה.</p>

אחריות

מדיניות האחריות של EGO
אנא בקרו באתר egopowerplus.com עבור התנאים וההתניות השלמים של מדיניות האחריות של EGO.

اقرأ جميع التعليمات!



اقرأ دليل التشغيل

⚠️ خطر زائد! الأشخاص الذين تم تركيب أجهزة طبية إلكترونية لهم، مثل منظم ضربات القلب، يجب عليهم استشارة الطبيب قبل استخدام هذا المنتج. لأن تشغيل معدات كهربائية بالقرب من منظم ضربات القلب قد ينشأ عنه خلل أو فشل في أداء منظم ضربات القلب.

⚠️ تحذير: لضمان السلامة والاعتمادية، يجب تنفيذ جميع أعمال الإصلاح واستبدال الأجزاء من قبل فني خدمة مؤهل.

رموز السلامة

الغرض من رموز السلامة هو جذب انتباهك إلى المخاطر المحتملة. رموز السلامة والشروح المصاحبة لها تستحق اهتمامك وفهمك الدقيق. تحذيرات كل رمز، بنفسها، لا تمنع وقوع أي خطر. التعليمات والتحذيرات التي تمنحك إياها لا تعد بديلاً عن تطبيق الإجراءات الملائمة لمنع وقوع الحوادث.

⚠️ تحذير: احرص على قراءة وفهم جميع تعليمات السلامة في دليل التشغيل هذا، بما في ذلك جميع رموز تنبيهات السلامة، مثل "خطر"، وتحذير، وتنبيه قبل استخدام هذه الآلة. عدم اتباع جميع التعليمات الواردة أثناء قد يؤدي إلى حدوث صدمة كهربائية أو نشوب حريق أو التعرض للإصابة الشخصية، أحدها أو جميعها.

معنى الرمز

⚠️ رمز تنبيه السلامة: يشير إلى خطر أو تحذير أو تنبيه، وقد يتم استخدامه بشكل متزامن مع الرموز أو الصور الكتابية الأخرى.

تعليمات السلامة

هذه الصفحة تصف وتشرح رموز السلامة التي قد تظهر على هذا المنتج. اقرأ جميع التعليمات المذكورة على الآلة وافهمها واتبعها قبل محاولة تجميع الآلة وتشغيلها.

	تنبيه سلامة	يشير إلى خطر محتمل للتعرض لإصابة شخصية.
	اقرأ دليل التشغيل	للحد من خطر الإصابة، يجب على المستخدم قراءة وفهم دليل التشغيل قبل استخدام هذا المنتج.
	ارتد أدوات حماية العينين	ارتد دائماً نظارات الحماية المزودة بواقبات على الجانبين، وبنغبي ارتداء واقي لكامل الوجه أثناء تشغيل هذا المنتج.
	ارتد أدوات حماية الأذنين	احرص دائماً على ارتداء واقبات للأذن (سدادات الأذن أو كاتم صوت) لحماية أذنيك.

	عرض الجز	الحد الأقصى لعرض جزّ الجزارة العاملة بالخيط
	قطر الخيط	قطر خيط الجزّ المصنوع من النايلون
	ارتد أدوات حماية الرأس	احرص على ارتداء خوذة أمان صلبة معتمدة لحماية رأسك.
	ارتد قفازات الحماية	احرص على ارتداء قفازات لليدين عند التعامل مع الشفرة أو الواقي الخاص بها. كما أن القفازات القوية المانعة للانزلاق تعزز من قدرتك على الإمساك وتحمي يديك.
	ارتد حذاء الحماية	احرص على ارتداء أحذية أمان مانعة للانزلاق عند استخدام هذه الآلة.
	احذر من قوة انفداع الشفرة.	حذر مشغل الآلة من خطر قوة انفداع الشفرة.
	احذر الأشياء المتطايرة وأبق المرافقين بعيداً عن نطاق عمل الآلة	فالأشياء المتطايرة من الآلة قد ترتد وتؤدي إلى إصابات شخصية أو تلف للممتلكات. احرص على بقاء الأشخاص الآخرين والحيوانات الأليفة بعيداً عن الجزارة العاملة بالخيط أثناء استخدامها.
	ابق المرافقين بعيداً عن نطاق عمل الآلة	احرص على بقاء الأشخاص الآخرين والحيوانات الأليفة على مسافة لا تقل عن 15 متراً بعيداً عن الجزارة العاملة بالخيط أثناء استخدامها.
	عدم تركيب شفرة مستديرة	لا تقم بتركيب شفرات جزّ مستديرة.
	لا تُعرض المنتج للمطر	لا تستخدم المنتج تحت المطر أو أن تتركه في مكان مفتوح أثناء طول المطر.
	شهادة الجودة الأوروبية CE	هذا المنتج متوافق مع توجيهات شهادة الجودة الأوروبية (CE) المعمول بها.
	ففايات المعدات الكهربائية والإلكترونية (WEEE)	لا يجب التخلص من الأجهزة الكهربائية المستهلكة في النفايات المنزلية. توجه بالجهاز إلى مركز إعادة تدوير معتمد.

	مستوى قوة الصوت المضمون. انبعاثات الضوضاء في البيئة وفقاً لتوجيه الاتحاد الأوروبي.	الضوضاء
V	فولت	الجهد الكهربائي
	تيار مستمر	النوع أو خصائص التيار
n ₀	السرعة بدون حمل	سرعة الدوران، بدون حمل
min ⁻¹	في الدقيقة	لغة في الدقيقة

تحذيرات السلامة العامة المتعلقة بالآلة العاملة بالطاقة

⚠ تحذير: اقرأ جميع تحذيرات السلامة والتعليمات والرسوم التوضيحية والموصفات المرفقة مع هذه الآلة. عدم اتباع جميع التعليمات الواردة أدناه قد يؤدي إلى حدوث صدمة كهربائية أو نشوب حريق أو التعرض للإصابة، أحدها أو جميعها.

احتفظ بجميع التحذيرات والتعليمات للرجوع إليها في المستقبل.

يشير مصطلح "آلة عاملة بالطاقة" في التحذيرات إلى الآلة العاملة بالطاقة (الموصولة بسلك تيار) أو الآلة العاملة بالبطارية (غير الموصولة بسلك تيار).
سلامة منطقة العمل

- حافظ على منطقة العمل نظيفة ومضاءة جيداً، حيث عادة ما تتسبب المناطق المظلمة أو التي بها ركام إلى وقوع حوادث.
- لا تقم بتشغيل الآلات العاملة بالطاقة في أجواء قابلة للانفجار، على سبيل المثال في وجود سوائل أو غازات أو غبار قابلة للاشتعال. فقد تتسبب الآلات العاملة بالطاقة في صدور شرارة، والتي قد تتسبب في اشتعال الغبار أو الأبخرة القابلة للاشتعال.
- احتفظ بالأطفال والمشاهدين بعيداً عن موقع استعمال الآلة العاملة بالطاقة. حيث أن الإلهامات قد تجعلك تفقد السيطرة على الآلة.

السلامة الشخصية

- ابق منتبهاً، وانتبه جيداً لما تفعله، وكن عقلياً عند تشغيل آلة تعمل بالطاقة. لا تستخدم أي آلة عاملة بالطاقة وأنت مجهد أو تحت تأثير المخدرات أو الكحوليات أو الأدوية. قد تؤدي لحظة من عدم الانتباه أثناء تشغيل الآلات العاملة بالطاقة إلى حدوث إصابات شخصية خطيرة.
- استعن بمعدات الحماية الشخصية. وارتد دائماً أدوات حماية للعينين. سيؤدي استخدام أدوات الحماية كقناع الغبار أو أحذية السلامة المضادة للانزلاق أو القبعات الصلبة أو أدوات حماية السمع في ظروف مناسبة إلى الحماية من الإصابات الشخصية.
- امنع بدء تشغيل الآلة غير المتعمد. احرص على أن يكون مفتاح الطاقة في وضع الإيقاف قبل توصيل الآلة بمصدر التيار أو مجموعة البطاريات، أو التقاط الآلة أو حملها. قد يتسبب حمل الآلات العاملة بالطاقة وإصبعك على مفتاح التشغيل أو شحنها ومفتاح التشغيل على وضع التشغيل في وقوع حوادث.

- أزل أي مفتاح تعديل أو مفتاح ربط قبل تشغيل الآلة العاملة بالطاقة. قد يؤدي ترك مفتاح ربط أو مفتاح عادي مرتكبا على جزء دوار بالآلة العاملة بالطاقة إلى وقوع إصابات شخصية.
- لا تقف في مكان تُضطر لمد يديك بعيداً. قف وأنت ثابت ومتوازن في جميع الأوقات. وهو ما يسمح بتحكم أفضل في الآلة العاملة بالطاقة في الظروف غير المتوقعة.
- ارتد الملابس الملائمة. لا ترتد ملابس أو مجوهرات غير ثابتة. احتفظ بشعرك وملابسك وقفازاتك بعيداً عن الأجزاء المتحركة. قد تعلق الملابس الفضفاضة أو المجوهرات أو الشعر الطويل في الأجزاء المتحركة.
- إذا تمت إتاحة الأجهزة لتوصيل مرافق استخلاص وجمع الغبار، فتأكد من توصيلها واستخدامها على نحو ملائم. قد يؤدي استخدام أجهزة الغبار إلى الحد من المخاطر المرتبطة به.
- لا تدع الخبرة المكتسبة من الاستخدام المتكرر للآلات يجعلك تتعامل دون الانتباه واللام والتمتع بمبادئ السلامة المتعلقة بالآلة. فقد يتسبب أي إجراء غير مدروس في إصابات خطيرة في جزء من الثانية.

استخدام الآلة العاملة بالطاقة والحماية بها

- لا تجبر الآلة العاملة بالطاقة على أعمال تفوق قدرتها. استخدم الآلة العاملة بالطاقة الملائمة لأعمالك. ستقوم الآلة العاملة بالطاقة الملائمة بأداء أعمالك بشكل أفضل وأكثر أمناً بالمعدل الذي أعدت له.
- لا تستخدم الآلة العاملة بالطاقة إذا كان مفتاح التشغيل لا يمكن نقله إلى وضع التشغيل أو وضع الإيقاف. أي آلة عاملة بالطاقة لا يمكن التحكم فيها بمفتاح التشغيل تعتبر خطيرة وينبغي إصلاحها.
- خزن الآلات العاملة بالطاقة غير المستخدمة بعيداً عن متناول أيدي الأطفال ولا تسمح للأشخاص غير المتدربين على استخدام الآلات العاملة بالطاقة أو على هذه التعليمات بتشغيل الآلة. الآلات العاملة بالطاقة تكون خطيرة في أيدي الأشخاص غير المدربين.
- حافظ على الآلات العاملة بالطاقة والملحقات. تحقق ما إذا كان هناك عدم مصادة أو ربط للأجزاء المتحركة، وعدم وجود أجزاء مكسورة وأي حالة أخرى قد تؤثر على تشغيل الآلة العاملة بالطاقة. إذا كان هناك تلف، فقم بإصلاح الآلة العاملة بالطاقة قبل استخدامها. فالعديد من الحوادث يكون سببها الآلات التي لم يتم صيانتها.
- احتفظ بالأدوات القاطعة حادة ونظيفة. الأدوات القاطعة التي تتم صيانتها كما ينبغي للاحتفاظ بحوافها القاطعة حادة تكون أقل عرضة للاحتماء وسهل التحكم فيها.
- استخدم الآلة والملحقات والقمم وما شابههم وفقاً لهذه التعليمات، مع الأخذ في الاعتبار بظروف العمل والأعمال التي سيتم تنفيذها. قد يؤدي استخدام الآلة في أعمال غير تلك المخصصة لها إلى حوادث خطيرة.
- احتفظ بالمقابض وأسطح الإمساك جافة ونظيفة وخالية من الزيوت والشحوم. لأن المقابض وأسطح الإمساك الممزقة لا تمنحك القدرة على التعامل والتحكم الأمين في الآلة في المواقف غير المتوقعة.

التدريب

- اقرأ التعليمات بعناية. اعتد على أدوات التحكم والاستخدام الملائم للأداة.
- لا تسمح للأشخاص غير المعتمدين على هذه التعليمات أو الأطفال باستخدام الأداة. قد تُحدث بعض اللوائح المحلية سناً معيناً لمشغلي الأداة.
- يرجى الانتباه إلى أن المشغل أو المستخدم هو المسؤول عن وقوع أي حوادث أو مخاطر يتعرض لها أشخاص آخرون أو تتعرض لها ممتلكاتهم،

التحضير

- لا تقم أبداً بتشغيل هذا المنتج أثناء تواجد أي أشخاص، خصوصاً الأطفال أو الحيوانات الأليفة، في الجوار.
- ارتد أدوات حماية العينين والأذنية المثبتة في جميع الأوقات أثناء تشغيل هذا المنتج.
- يجب ألا تقل المسافة بين الآلة والأشخاص الواقفين عن 15 متراً.
- لا تقم أبداً بتشغيل الآلة إذا كنت مجهداً أو مريضاً أو تحت تأثير الكحول أو المخدرات الأخرى.

التشغيل

- لا تستخدم الجرّازة العاملة بالخيط سوى في النهار أو الضوء الصناعي الجيد.
- لا تقم أبداً بتشغيل الجرّازة العاملة بالخيط بينما الواقبات أو أدوات الحماية تالفة أو غير موجودة في مكانها.
- لا تقم بتشغيل المحرك إلا ويداك وقدماك بعيداً عن الحواف أو الأغراض الحادة.
- احرص دائماً على فصل الجرّازة العاملة بالخيط عن مصدر التيار (أي، فصل مجموعة البطارية).
- عند تركها دون رقابة؛
- قبل تنظيف أي انسداد؛
- قبل فحص أو تنظيف أو العمل داخل أي جزء من أجزاء الجرّازة العاملة بالخيط؛
- عقب الاصطدام بجسم غريب؛

- عند بدء الجرّازة في الاهتزاز بشكل غير طبيعي.
- احذر تعرض الأقدام والأيدي للإصابة بسبب الأغراض أو الحواف الحادة.
- احرص دائماً على خلو فتحات التهوية من أي عوائق.

الصيانة والتخزين

- افصل مصدر الطاقة عن الجرّازة العاملة بالخيط (أي، خلع مجموعة البطارية) قبل إجراء أعمال الصيانة أو التنظيف.
- استخدم فقط قطع الغيار والملحقات الموصى بها من قبل الشركة الصانعة.
- قم بفحص وصيانة الجرّازة العاملة بالخيط بانتظام. يجب إصلاح الآلة بواسطة مركز صيانة معتمد فقط.
- عند عدم الاستخدام، قم بتخزين الجرّازة العاملة بالخيط بعيداً عن متناول أيدي الأطفال.

- أبق الكابلات بعيداً عن منطقة عمل الآلة. أثناء التشغيل، قد تكون الكابلات غير مرئية، فتتعرض للتلف دون قصد بفعل الآلة.

استخدام الآلة العاملة بالبطارية والعناية بها

- لا تُعد شحن الآلة إلا باستخدام الشاحن المحدد بواسطة الشركة الصانعة. فالشاحن الملائم لنوع من مجموعات البطارية قد يتسبب في نشوب حريق إذا تم استخدامه مع مجموعة بطارية أخرى.
- استخدم الآلات العاملة بالطاقة مع مجموعات البطاريات المخصصة لها فقط. لأن استخدام أي مجموعات بطارية أخرى قد يؤدي إلى التعرض لإصابات أو نشوب حريق.
- عند عدم استخدام مجموعة البطارية، احتفظ بها بعيداً عن الأغراض المعدنية الأخرى مثل مشابك الأوراق أو العملات المعدنية أو المفاتيح أو المسامير أو البراغي أو الأغراض المعدنية الصغيرة الأخرى التي قد تتسبب في عمل دائرة قصر (قفل للدائرة) بين أقطاب البطارية. عمل دائرة قصر (قفل الدائرة) بين أطراف البطارية قد يتسبب في حروق أو نشوب حريق.

- في حالات التعامل السيء، قد يحدث ارتشاح للسوائل من البطارية؛ لا تلامسه. إذا حدثت ملامسة بشكل عرضي، فاغسلها بالماء. إذا لامس السائل العينين، فاطلب المساعدة الطبية على الفور. المسائل المرتشحة من البطارية قد يتسبب في حدوث احتياج في الجلد أو حروق.

- لا تستخدم مجموعة البطارية أو الآلة إذا كنا نالتفون أو تم إدخال تعديلات عليهما. لأن البطاريات التالفة أو التي تم تعديلها قد تعمل بشكل غير متوقع، وهو ما قد يؤدي لنشوب حريق أو حدوث انفجار أو خطر التعرض لإصابة.

- لا تقم بتعرض مجموعة البطارية أو الآلة للحريق أو درجات الحرارة الزائدة. التعرض لدرجات الحرارة الأعلى من 100 درجة مئوية قد يؤدي لحدوث انفجار.
- اتبع تعليمات الشحن ولا تشحن مجموعة البطارية أو الآلة في نطاق درجة حرارة خارج النطاق المحدد في التعليمات. قد يؤدي الشحن غير المضبوط أو في درجات حرارة خارج النطاق المسموح به إلى تلف البطارية وخطر نشوب حريق.

الصيانة

- ينبغي إجراء الصيانة على الآلة بواسطة فني إصلاح متخصص باستخدام قطع غيار أصلية مطابقة فقط. فيذا سيبضمن المحافظة على سلامة الآلة.

- لا تقم بصيانة مجموعات البطارية التالفة بأي حال من الأحوال. بل ينبغي أن تكون صيانة مجموعات البطارية من خلال الشركة الصانعة أو مقدمي الخدمة المعتمدين فقط.

- تحذير:** اقرأ جميع تحذيرات السلامة والتعليمات والرسوم التوضيحية والمواصفات المرفقة مع هذه الآلة. عدم اتباع جميع التعليمات الواردة أثناء قد يؤدي إلى حدوث صدمة كهربائية أو نشوب حريق أو التعرض للإصابة، أدها أو جميعها. احتفظ بجميع التحذيرات والتعليمات للرجوع إليها في المستقبل.
- احتفظ بجميع التحذيرات والتعليمات للرجوع إليها في المستقبل.

المواصفات

56 فولت ---	الجهد الكهربى
4000-5800/دقيقة	السرعة بدون حمل
رأس المصد	آلية الجرز
خطب مجدول من التاليلون 2.4 مم	نوع خيط الجرز
38 سم	عرض الجرز
40 - 0 درجة مئوية	درجة حرارة التشغيل الموصى بها
20 - 70 درجة مئوية	درجة حرارة التخزين الموصى بها
3.2 كجم	الوزن (بدون وحدة البطارية)
92.6 ديسيبيل (A) 0.8=K ديسيبيل (A)	مستوى قوة الصوت المقتر L_{WA}
72.6 ديسيبيل (A) 2.5=K ديسيبيل (A)	مستوى ضغط الصوت عند أذن مشغل الآلة L_{PA}
93 ديسيبيل (A)	مستوى قوة الصوت المضمنون L_{WA} (وفقاً للمعيار (2000/14/EC))
3.5 م/ثانية ² 1.5=K م/ثانية ²	مقبض المساعدة الأمامى
2.1 م/ثانية ² 1.5=K م/ثانية ²	المقبض الخلفى
	الاهتزاز a_{ff}

- تحذيرات السلامة الأخرى**
- تجنب بيئات العمل الخطيرة – لا تستخدم الأجهزة في المواقع الرطبة أو المبللة.
 - حافظ على الوافيات في مكانها وبترتيبها الصحيح.
 - أبق يدك وقدميك بعيداً عن منطقة الجرز.
 - لتقليل خطر التعرض لإصابات، لا تعمل أبداً وأنت فوق سلم أو على أي دعامة غير آمنة أخرى. لا تمسك أبداً بوحدة الجرز أعلى من ارتفاع الخصر.
 - افحص وحدة الجرز على فواصل زمنية قصيرة منتظمة أثناء التشغيل، على الفور إذا لاحظت وجود تغيير ملحوظ في سلوك الجرز.
 - لتحقيق أفضل النتائج، يجب شحن بطاريته في مكان درجة حرارته أكبر من 5 درجة مئوية وأقل من 40 درجة مئوية. لا يتم تخزين الآلة في مكان خارجي مفتوح أو في السيارات.
 - عند اقتراب أي شخص، أوقف المحرك ووحدة الجرز.
 - حذر مشغل الآلة من خطر قوة اندفاع الشفرة (عند استخدام الشفرة ثلاثية الأسنان فقط).
 - قد يحدث اندفاع للشفرة عند ملامسة الشفرة وهي تدور لشيء لم يتم جره على الفور.
 - قد يكون اندفاع الشفرة عنيفاً بما يكفي لدفع الوحدة و/أو المشغل في أي اتجاه، مع احتمالية فقد السيطرة على الوحدة.
 - قد يحدث اندفاع الشفرة دون إنذار إذا علقت الشفرة أو تباطأت أو انشنت.
 - عادة ما يحدث اندفاع الشفرة في المناطق التي يكون من الصعب رؤية المواد التي يتم جرها.
 - لا تقم بتركيب أي شفرة على وحدة دون القيام بتركيب جميع الأجزاء المطلوبة على النحو الصحيح. عدم استخدام الأجزاء الملامنة قد يتسبب في تحرر الشفرة من مكانها، ما قد يؤدي إلى تعرض مشغل الآلة و/أو المرافقين لإصابات خطيرة. تخلص من الشفرات المثبتة أو الملتوية، أو المشققة، أو المكسورة، أو التالفة بأي حال من الأحوال. استخدم شفرة حادة، لأن الشفرة غير الحادة عادة ما تنتهي وتتسبب في ارتداد في الآلة (عند استخدام الشفرة ثلاثية الأسنان فقط).
 - قد يتسبب تحرر الشفرة/الخيط في التعرض لإصابات إذا استمر في الدوران بعد توقف المحرك أو ترك الزناد. حافظ على تحكك الملامم في الآلة حتى توقف الشفرة/الخيط تماماً عن الدوران.
 - لا تستخدم الآلة إلا مع مجموعات البطارية والشواحن المدرجة في الشكل A.
 - لا تحتاج الآلات العاملة بالبطارية إلى توصيلها بمصدر تيار كهربائي؛ ولهذا فهي دائماً ما تكون جاهزة للتشغيل. احذر المخاطر المحتملة، حتى عند عدم تشغيل الآلة. كن حذراً عند تنفيذ أعمال الصيانة أو الخدمة.
 - لا تغسل المنتج بخراطيم الماء؛ وتجنب وصول الماء إلى المحرك والتوصيلات الكهربائية.
 - إذا حدثت حالات غير مذكورة في هذا الدليل، توغ الحذر واتخذ قرارات حكيمه. تواصل مع مركز خدمة العملاء بشركة EGO طلباً للدعم.

- القيمة الكلية للاهتزاز الموضحة تم قياسها وفقاً لطريقة اختبار قياسية وقد تستخدم لمقارنة أداة بأخرى؛
- كما يمكن استخدام القيمة الكلية للاهتزاز الموضحة في التقييم التمهيدي للتعرض.

ملاحظة: قد تختلف انبعاثات الاهتزاز أثناء الاستخدام الفعلي للآلة العاملة بالطاقة عن القيمة المعلنة التي يتم استخدام الآلة فيها؛ ولحماية مشغل الآلة، ينبغي على المستخدم ارتداء قفازات ووافيات للأذن في ظروف الاستخدام الفعلية.

قائمة المحتويات

الكبيرة	اسم الجزء
1	الجزء العاملة بالخيط
1	الواقى
1	تجميعية مقبض المساعدة الأمامى
1	شريط اللتف
1	مفتاح ربط سداسى (الانكيه)

1	دليل التشغيل
1	خيط الجَزْ

الوصف

تعرف على الجزّارة العاملة بالخيط (الشكل A)

1. المقيض الخلفي
2. مفتاح السرعة الزنبركي
3. زر القفل
4. مقيض المساعدة الأمامي القابل للضبط
5. شريط الكنف
6. عمود
7. الواقي
8. زر تحرير البطارية
9. لسان
10. الوصلات الكهربائية
11. آلية الإخراج
12. رأس الجزّارة (رأس المصدر)
13. زر تحميل الخيط
14. خيط الجَزْ
15. لسان التحرير
16. شفرة قطع الخيط
17. مفتاح سداسي

المشبك في فتحة المقيض (الشكل F)، وركب عمود القفل، واشبكهم باستخدام الصامولة المجنحة (الشكل G). تشمل الخطوات موضع في الشكل D. وفي النهاية، اضبط مقيض المساعدة الأمامي بين الجلبة الناعمة والملصق للتأكد من أن ذراعك الذي ستستخدمه مع المقيض ممتد على استقامته عند استخدام الجزّارة (الشكل H)، ثم اقل ذراع قضيب القفل (الشكل I).

الشكل D و H انظر أثناء التعرف على شرح الأجزاء:

D-1	مقيض المساعدة الأمامي	D-4	صامولة مجنحة
D-2	قضيب القفل	H-1	جلبة ناعمة
D-3	كتلة المشبك	H-2	ملصق تحذيري

ملاحظة: تجب إدارة مقيض المساعدة الأمامي لأعلى إلى أن يصبح متجهًا ناحية الجزء العلوي للمقيض الخلفي.

تحذير: ما عليك سوى تثبيت مقيض المساعدة الأمامي بين الجلبة الناعمة والملصق الموجود على العمود.

تحذير: لا يمكن استخدام الآلة دون إحكام تثبيت مقيض المساعدة الأمامي.

تركيب شريط الكنف

1. فك المسامر الموجود في خطاف الشريط (الشكل و J1 و J2) وإخلعه.

2. قم بتركيب الخطاف على العمود وفقًا للمعرض في الشكل 3، ثم ثبته بالمسمار (الشكل J4).

تحذير: ما عليك سوى تثبيت خطاف الشريط بين الهيكل والجلبة الناعمة على العمود.

التشغيل

تحذير: لا تسمح لاعتيادك على تشغيل هذا المنتج أن يجعلك مستهترًا عند التعامل معه. ولا تنس أن الاستهتر أجزاء من الثانية كافٍ للتسبب في حدوث إصابات خطيرة.

تحذير: احرص دائمًا على ارتداء واقيات العينين أو نظارات حماية مزودة بواقيات على الجانبين، بالإضافة إلى أدوات حماية الأذنين. قد ينجح عن عدم الامتثال لذلك دخول أشياء في عينيك، واحتمالية وقوع إصابات خطيرة.

تحذير: لا تستخدم أي مرفقات أو ملحقات سوى تلك الموصى بها من قبل الشركة الصانعة لهذا المنتج. لأن استخدام مرفقات أو ملحقات غير موصى بها قد يؤدي إلى وقوع إصابات شخصية خطيرة.

تحذير: لمنع التعرض لإصابات شخصية خطيرة، اخلع مجموعة البطارية من الآلة قبل إجراء أعمال الصيانة، أو التنظيف، أو تغيير المرفقات، أو إزالة المواد من الوحدة.

يمكنك استخدام هذا المنتج للأغراض الموضحة أدناه:

جَزْ السياج: تستخدم في إزالة العشب والحشائش الضارة الموجودة عند الجدران والأسوار والأشجار والحود.

الجَزْ: تستخدم في جَزْ العشب الذي يصعب الوصول إليه باستخدام جزّارة عادية.

ملاحظة: يجب استخدام الآلة للغرض المحدد لها فقط. أي استخدام آخر، على سبيل المثال جَزْ الحواف، يعد حالة من حالات سوء الاستخدام.

تركيب/خلع مجموعة البطارية

ملاحظة: لأجل توازن أفضل، عند استخدام البطاريات BA3360// BA5600T/BA4200T/BA4200، نرجو منك دمجها ببطارية

التجميع

تحذير: إذا حدث تلف أو فقد في أي أجزاء، لا تقم بتشغيل هذا المنتج إلا بعد استبدال الأجزاء. استخدام هذا المنتج مع وجود أجزاء تالفة أو مفقود قد يؤدي إلى وقوع إصابات شخصية خطيرة.

تحذير: لا تحاول إجراء أي تعديلات على هذا المنتج أو ابتداء ملحقات غير موصى بها للاستخدام مع الجزّارة العاملة بالخيط هذه. أي تغيير أو تعديل من هذا النوع يعتبر سوء استخدام، وقد يؤدي إلى وضع خطير قد يتسبب في وقوع إصابات شخصية خطيرة محتملة.

تحذير: لمنع بدء التشغيل غير المقصود، والذي قد يؤدي إلى وقوع إصابات شخصية خطيرة، احرص دائمًا على خلع مجموعة البطارية من الآلة عند تجميع الأجزاء.

تركيب الواقي

تحذير: احرص دائمًا على ارتداء قفازات عند تركيب الواقي أو استبداله. كن حذرًا من الشفرة الموجودة عند الواقي، واحم يديك من التعرض للجرح.

تحذير: لا يجب أبدًا تشغيل الآلة دون تثبيت الواقي بإحكام في مكانه. يجب أن يكون الواقي دائمًا على الآلة لحماية المستخدم! عندما يكون الواقي مثبتًا، لا تحاول أبدًا خلع الواقي أو تعديل وضعه؛ وعند الحاجة لاستبداله، ينبغي أن يقوم بذلك فني صيانة متخصص! قم بمحاذاة المسامير المربوطين بشكل مسبق في الواقي مع فتحتي المسامير الموجودتين بالعمود (الشكل B)، ثم اربطهما بمفتاح الربط السداسي (الانكيه) المرفق (الشكل C).

احرص على تثبيت الواقي وفقًا للشكلين B و C، لأن أي تثبيت يخالف ذلك قد يتسبب في مخاطر كبيرة!

تركيب مقيض المساعدة الأمامي وضبطه

ادفع مقيض المساعدة الأمامي على العمود (الشكل E)، ثم أدخل كتلة

والحيوانات الأليفة على مسافة لا تقل عن 15 مترًا؛ فقد يكون هناك خطر تعرض المرافقين لأشياء المتطايرة. يجب تشجيع المرافقين على ارتداء أدوات حماية العينين. عند اقتراب أي شخص، أوقف المحرك وملق الجِرّ على الفور.

قبل كل استخدام، احرص على فحص الأجزاء التالية المتأثرة

افحص رأس المصد والواقي ومقبض المساعدة الأمامي، واستبدل الأجزاء المشققة أو المتلونة أو المتينة أو التالفة بأي شكل من الأشكال.

قد تصبح شفرة قطع الخيط الموجودة على حافة الواقي غير حادة مع مرور الوقت، من الموصى به أن تقوم بشحذها من أنْ لآخر باستخدام مبرد أو استبدالها بشفرة جديدة.

⚠ تحذير: احرص دائماً على ارتداء قفازات عند تركيب الواقي أو صيانة الشفرة. كن حذراً من الشفرة الموجودة عند الواقي، وأحم يدك من التعرض للجرح.

نظف الجِرّاة بعد كل استخدام.

⚠ تنبيه: العوائق الموجودة في الفحات قد تمنع الهواء من التدفق في هيكل المحرك، وهو ما قد يؤدي إلى السخونة المفرطة أو تلف المحرك.

استخدم قفص صابوناً خفيفاً وقطعة قماش مبللة عند تنظيف الآلة. لا تسمح أبداً بدخول أي سوائل إلى داخل الآلة؛ ولا تغمر أي جزء منها في السوائل بأي حال من الأحوال.

حافظ على خلو فتحات الهواء الموجودة في هيكل المحرك من العوائق في جميع الأوقات.

⚠ تحذير: لا تستخدم أبداً الماء عند تنظيف الجِرّاة. تجنب استخدام المنظفات عند تنظيف الأجزاء البلاستيكية. غالبية الأجزاء البلاستيكية تكون عرضة للتلف بفعل أنواع متعددة من المنظفات السائلة المتاحة في الأسواق. استخدم قطعة قماش نظيفة لإزالة الأوساخ والأتربة والزيوت والشحم وما شابههم.

نصائح لتحقيق أفضل نتائج الجِرّ (الشكل N)

- الزاوية الصحيحة لملق الجِرّ بأن يكون موازياً للأرض.
- لا تجبر الجِرّاة على أعمال تفوق قدرتها. اسمح لطرف الخيط أن يقوم بالجِرّ (خاصة على الجدران). لأن الجِرّ بأكثر من طرف الخيط سيقلل من فعالية الجِرّ، وقد يؤدي إلى الحمل الزائد على المحرك.
- يتم تحديد ارتفاع الجِرّ بحسب المسافة بين خيط الجِرّ ووسط العشب.

العشب الذي يزيد طوله عن 20 سم يجب جِره بالتحرك تدريجياً من الأعلى لأسفل لزيادة بزيادات بسيطة لتجنب التآكل المبكر للخيط أو إعاقة المحرك.

- حرك الجِرّاة ببطء إلى داخل المنطقة المراد جِرها وخارجها، مع المحافظة على وضع رأس الجِرّ عند ارتفاع الجِرّ المرغوب. يمكن لهذه الحركة أن تكون من اللاملم للخط أو من أحد الجانبين إلى الجانب الآخر. جِرّ أطوال أقصر يحقق نتائج أفضل.
- يكون الجِرّ عندما يكون العشب والحشائش الضاربة جافة.
- تسبب السياج السلوكية والوتدية في التآكل الزائد للخيط وانكساره. قد تسبب الجدران الحجرية والمصنوعة من الطوب، والحواجز الحديدية والخشبية في تآكل الخيط بسرعة.

الأسلاك المحمولة على الظهر (BH1000).

اشحن البطارية بالكامل قبل الاستخدام لأول مرة.

التركيب

قم بمحاذاة دعامات البطارية مع فتحات التركيب، واضغط على

مجموعة البطارية لأسفل إلى أن تسمع صوت «نقرة» (الشكل K2).

الملح

اضغط لأسفل على زر تحرير البطارية، واسحب مجموعة البطارية للخارج كما هو موضح في الشكل L.

الشكل K1 و K2 انظر أدناه للتعرف على شرح الأجزاء:

لسان	K-4	مجموعة البطارية BA3360/ BA4200/ BA4200T/ BA5600T	K-1
فتحة تركيب البطارية	K-5	المهايبي	K-2
		ضفيرة الأسلاك المحمولة على الظهر	K-3

إمسك الجِرّاة العاملة بالخيط

⚠ تحذير: احرص على ارتداء ملابس ملائمة للحد من خطر التعرض لإصابات أثناء تشغيل هذه الآلة. لا ترتد ملابس أو مجوهرات غير ثابتة. ارتد أدوات حماية العينين والأذنين/السمع.

احرص على ارتداء بنطال طويل متين وحذاء ذي ربة وقفازات. لا ترتد بنابطين قصيرة أو صنادل أو أن تكون حافي القدمين. قبل التشغيل، أمسك الجِرّاة بكلتا يديك، بحيث تكون إحدى اليدين على المقبض الخلفي والأخرى على مقبض المساعدة الأمامي بحيث يكون ذراعها ممثداً على استقامته (الشكل M). وبعد ذلك، تحقق من وقوفك ممثداً ووجود مسافة ملائمة للجِرّ.

ملاحظة: ينبغي أن يكون رأس الجِرّاة موازياً للأرض على مسافة جِرّ ملائمة دون اضطراب مشغل الآلة للانحناء.

بدء تشغيل/إيقاف الجِرّاة العاملة بالخيط

لبد التشغيل

اضغط لأسفل على زر القفل، ثم اضغط مع التثبيت على الزناد. الضغط المختلف على الزناد يؤدي إلى سرعة دوران مختلفة لخيط الجِرّ. حيث المزيد من الضغط يؤدي لسرعة أعلى.

للإيقاف

حرر زر القفل والزناد.

ملاحظة: لا يعمل المحرك إلا عند الضغط على زر القفل والزناد معاً.

⚠ تحذير: احرص دائماً على خلع مجموعة البطارية من الجِرّاة العاملة بالخيط أثناء الاستراحة وبعد الانتهاء من العمل.

استخدام الجِرّاة العاملة بالخيط

⚠ تحذير: لتجنب التعرض لإصابات خطيرة، ارتد واقبات العينين أو نظارات حماية العينين في جميع الأوقات أثناء تشغيل هذه الوحدة. ارتد قناع لوجه أو قناع أتربة في الأماكن كثيرة الأتربة.

نظف منطقة الجِرّ قبل كل استخدام لآلة. تخلص من جميع الأشياء مثل الصخور أو الزجاج المكسور أو المسامير أو الأسلاك أو الخيوط التي قد تدخل في ملق الجِرّ أو تعيقه. أبق المنطقة خالية من الأطفال والمرافقين والحيوانات الأليفة. على الأقل، اجعل الأطفال والمرافقين

- تجنب الأشجار والشجيرات. قد يتسبب لحاء الشجر والقوالب الخشبية والجدران الخارجية الخشبية وأعمدة السياج في تلف الخيط بسهولة.
- الشكل N انظر أدناه للتعرف على شرح الأجزاء:

N-1	منطقة عمل جيدة	N-2	منطقة عمل خطيرة
-----	----------------	-----	-----------------

تعديل طول خيط الجرّ

رأس الجرّازة يتيح للمشغل تحرير المزيد من خيط الجرّ دون إيقاف المحرك. بعد أن يصبح الخيط منسلاً أو متهاكاً، يمكن تحرير خيط إضافي عن طريق نفرة خفيفة بمحتجز ملف الخيوط على الأرض أثناء تشغيل الجرّازة (الشكل O).

ملاحظة: يصبح تحرير الخيط أكثر صعوبة عندما يصبح خيط الجرّ أقصر.

تحذير: لا تم بخل أو تعديل تجميعه شفرة الجرّ بالخيط. الطول الزائد في الخيط قد يتسبب في سخونة المفرطة للمحرك، ما قد يؤدي إلى التعرض لإصابات شخصية خطيرة.

استبدال الخيط

ملاحظة: احرص دائماً على استخدام خيط النايلون الموصى به وألا يتخطى قطره 2.4 مم. لأن استخدام خيط آخر غير الموصى به قد يتسبب في سخونة المفرطة للجرّازة العاملة بالخيط أو تعرضها للتلف.

تحذير: لا تم أبداً باستخدام خيط معزز معدنياً، أو سلك معدني، أو حبل، أو ما شابه ذلك. لأن تلك الأشياء قد تنقطع وتتسبب في تطاير أشياء خطيرة.

الجرّازة العاملة بالخيط مجهزة بنظام متقدم للسحب الآلي للخيط. حيث يمكن لف خيط الجرّ على ملف الخيوط بكل بساطة عند الضغط على زر واحد.

عادة ما يمكن تحميل ملف خيوط كامل خلال 12 ثانية. تجنب التشغيل المتكرر لنظام سحب الخيط بتعاقب سريع للحد من احتمالية تعرض المحرك للتلف.

- اخلع مجموعة البطارية.
- اخلع خيط الجرّ المتبقي، عند اللزوم. كل ما عليك فعله هو سحبه للخارج باليد.
- اقطع قطعة من خيط الجرّ طولها (4 أمتار). أدخل الخيط في الثقب (الشكل P)، وادفع الخيط إلى أن يخرج طرف الخيط من الثقب في الجهة المقابلة. الشكل P انظر أدناه للتعرف على شرح الأجزاء:

ثقب	P-3	خيط الجرّ	P-1
		الغطاء السفلي	P-2

- اخلع مجموعة البطارية من الجرّازة العاملة بالخيط.
- اضغط على السنّة التحرير الموجودة برأس الجرّازة، واخلع تجميعه الغطاء السفلي الموجودة برأس الجرّازة عن طريق سحبها للخارج بشكل مستقيم (انظر الشكل S1 و S2).
- اخلع خيط الجرّ من رأس الجرّازة (الشكل V).
- أخرج الزنبرك من تجميعه ملف الخيوط عند اللزوم. واحفظه لتريكيه عند إعادة التجميع.
- احرص على ارتداء قفازات. استخدم إحدى يديك في الإمساك بتجميعه ملف الخيوط لتثبيتها، واستخدم اليد الأخرى في الإمساك بجهاز ربط بالصدمات لكف الصامولة عكس اتجاه عقارب الساعة (الشكل W).
- قم بتركيب مجموعة البطارية في جرّازة السياج. اضغط مع التثبيت على زر تحميل الخيط لبدء تشغيل محرك سحب الخيط. سيتم سحب الخيط إلى داخل رأس الجرّازة بشكل متواصل (الشكل R).
- انتبه لطول الخيط المتبقي بعناية. استعد لتحرير الزر بمجرد بقاء حوالي 18 سم من الخيط على كلا

الجانبين. اضغط برفق على زر تحميل الخيط لتعديل الطول إلى يظهر 14 سم من الخيط على كلا الجانبين.

8. اضغط لأسفل على رأس الجرّازة، بينما تسحب من الخيوط لتدفع الخيط للأمام يدويًا كي تتحقق من التجميع السليم لخيط الجرّ.

ملاحظة: في حال سحب الخيط إلى داخل رأس الجرّازة دون قصد، افتح الرأس واسحب خيط الجرّ من ملف الخيوط. اتبع التعليمات الواردة في قسم «إعادة تحميل خيط الجرّ» من هذا الدليل لإعادة تحميل الخيط.

إعادة تحميل خيط الجرّ

عند انقطاع خيط الجرّ من فتحة الخيط أو عدم تحرر خيط الجرّ عند نقر رأس الجرّازة، اتبع الخطوات أدناه لإزالة خيط الجرّ المتبقي وأعد تحميل الخيط.

- اضغط على لساني التحرير الموجودين برأس الجرّازة، واخلع رأس الجرّازة عن طريق سحبه للخارج بشكل مستقيم (الشكل S-2 و S-1).
 - اخلع خيط الجرّ من رأس الجرّازة، وأدخل الزنبرك في الفتحة الموجودة في تجميعه الغطاء السفلي (الشكل T).
 - بينما تمسك بالجرّازة بإحدى يديك، استخدم اليد الأخرى في الإمساك بتجميعه الغطاء السفلي مع محاذاة الفتحات الموجودة في تجميعه الغطاء السفلي مع السنّة التحرير. اضغط على تجميعه الغطاء السفلي إلى أن تشبكيه في مكانها، وحين يحدث ذلك ستسمع صوت نفرة واضحة (الشكل U).
 - اتبع التعليمات الواردة في قسم «استبدال الخيط» لإعادة تحميل خيط الجرّ.
- الشكل S1 و T و U انظر أدناه للتعرف على شرح الأجزاء:

لسان التحرير	U-1	تجميعه الغطاء السفلي	S1-1
فتحة	U-2	لسان التحرير	S1-2
		الزنبرك	T-1

استبدال رأس الجرّازة

تحذير: إذا انفك الرأس بعد تثبيته في موضعه، فاستبدله على الفور. احرص على ألا تستخدم أبداً جرّازة بها ملحق جرّ مفكوك. استبدل رأس الجرّ المشقق أو التالف أو المتآكل على الفور، حتى لو كان التالف مجرد تشققات سطحية. لأن مثل تلك الملحقات قد تتحطم عند السرعات العالية مسببة إصابات خطيرة.

خلع رأس الجرّازة

- اخلع مجموعة البطارية من الجرّازة العاملة بالخيط.
- اضغط على السنّة التحرير الموجودة برأس الجرّازة، واخلع تجميعه الغطاء السفلي الموجودة برأس الجرّازة عن طريق سحبها للخارج بشكل مستقيم (انظر الشكل S1 و S2).
- اخلع خيط الجرّ من رأس الجرّازة (الشكل V).
- أخرج الزنبرك من تجميعه ملف الخيوط عند اللزوم. واحفظه لتريكيه عند إعادة التجميع.
- احرص على ارتداء قفازات. استخدم إحدى يديك في الإمساك بتجميعه ملف الخيوط لتثبيتها، واستخدم اليد الأخرى في الإمساك بجهاز ربط بالصدمات لكف الصامولة عكس اتجاه عقارب الساعة (الشكل W).

- 6. اخلع الصامولة وتجميعية ملف الخيوط والغطاء العلوي من عمود المحرك (الشكل X).
 - 7. استخدم كمامة لمنع حلقة الزئبق. اخلع تجميعية المروحة (الشكل Y).
 - 8. استبدل رأس الجرّازة بأخر جديد، ثم ركبهُ وفقاً للخطوات التالية.
- الشكل W و X و Y انظر أذناه للتعرف على شرح الأجزاء:

W-1	X-4	جهاز ربط بالصدمات	صامولة
X-1	Y-1	الغطاء العلوي	تجميعية المروحة
X-2	Y-2	تجميعية ملف الخيوط	حلقة زئبق
X-3		وردة	

تركيب رأس الجرّازة الجديد

1. قم بمحاذاة فتحة المفتاح الموجودة في تجميعية المروحة مع الحز الموجود في عمود المحرك، ثم ركب تجميعية المروحة في مكانها (الشكل Z).
 2. قم بتركيب حلقة الزئبق، والغطاء العلوي، وتجميعية ملف الخيوط، والوردة بهذا الترتيب. استخدم جهاز ربط بالصدمات لربط الصامولة بإحكام.
 3. اتبع التعليمات الواردة في قسم "إعادة تحميل خيط الجرّازة" من هذا الدليل بخصوص تركيب تجميعية الغطاء السفلي.
 4. اتبع التعليمات الواردة في قسم "استبدال الخيط" من هذا الدليل بخصوص إعادة تحميل خيط الجرّازة.
 5. ابدأ تشغيل الآلة لترى ما إذا كانت الجرّازة العاملة بالخيوط تستعمل بشكل طبيعي. إن لم تعمل بشكل طبيعي، أعد تجميعها على النحو الموضح أعلاه.
- الشكل Z انظر أذناه للتعرف على شرح الأجزاء:

Z-1	الحز	Z-2	فتحة المفتاح
-----	------	-----	--------------

الصيانة

- ⚠ **تحذير:** استخدم فقط قطع غيار أصلية عند إجراء أعمال الصيانة. قم بفحص وصيانة الآلة بانتظام. لضمان السلامة والاعتمادية، يجب تنفيذ جميع أعمال الإصلاح من قبل فني خدمة مؤهل.
- ⚠ **تحذير:** لا تحتاج الآلات العاملة بالبطارية إلى توصيلها بمصدر تيار كهربائي؛ ولهذا فهي دائماً ما تكون جاهزة للتشغيل. لمنع وقوع إصابات شخصية خطيرة، تعامل بحذر شديد عند تنفيذ أعمال الصيانة، أو الخدمة، أو تغيير ملحق الجرّازة أو الملحقات الأخرى.
- ⚠ **تحذير:** لمنع التعرض لإصابات شخصية خطيرة، اخلع مجموعة البطارية من الآلة قبل إجراء أعمال الصيانة، أو التنظيف، أو تغيير الملحقات الإضافية، أو إزالة المواد من الوحدة.

تنظيف الوحدة

- نظف الوحدة باستخدام قطعة قماش مبللة مع منظف خفيف.
- لا تستخدم أي منظفات قوية على الهيكل البلاستيكي أو المقيض. لأنهم معرضون للتلف بفعل زيوت عطرية معينة، مثل الصنوبر والليمون، ويفعل محاليل مثل الكيروسين. كما قد تتسبب الرطوبة في التعرض لصدمة كهربائية. امسح أي بلل بقطعة قماش جافة ناعمة.

- استخدم فرشاة صغيرة أو التفريغ الهوائي من فرشاة مكنتة كهربائية صغيرة في تنظيف فتحات الهواء الموجودة بالهيكل الخلفي.

شحن شفرة قطع الخيط

- ⚠ **تحذير:** احرص دائماً على حماية يدك عن طريق ارتداء قفازات قوية عند إجراء أي أعمال صيانة على شفرة قطع الخيط.
- 1. اخلع شفرة قطع الخيط من الواقى.
- 2. احرص على ارتداء أدوات حماية العينين والقفازات اللاملمة، واحذر أن تتسبب في جرح نفسك.
- 3. ثبت الشفرة في منجلة.
- 4. ابرد حواف القطع بالشفرة بحذر باستخدام مربرد ناعم الأسنان أو حجر سن، مع المحافظة على زاوية حافة القطع الأصلية.
- 5. أعد تركيب الشفرة في الواقى مع تأمينها في مكانها باستخدام المسمارين المخصصين لذلك.

تخزين الوحدة

- اخلع مجموعة البطارية من الجرّازة العاملة بالخيوط عند عدم استخدامها.
- نظف الآلة جيداً قبل تخزينها.
- خزن الوحدة في منطقة جافة جيدة التهوية، بحيث يكون في مكان مغلق أو عالٍ عن سطح الأرض بعيداً عن متناول أيدي الأطفال. لا تقم بتخزين الوحدة على الأسمدة أو البنزين أو المواد الكيميائية الأخرى، أو بجوارها.

حماية البيئة

- لا تتخلص من المعدات الكهربائية وشاحن البطارية والبطاريات العادية/البطاريات القابلة لإعادة الشحن في النفايات المنزلية!
- وفقاً للقانون الأوروبي 2012/19/ EU، فإن المعدات الكهربائية والإلكترونية التي لم تعد صالحة للاستخدام، ووفقاً للقانون الأوروبي 2006/66/EC، فإن مجموعات البطارية/البطاريات المعطوبة أو المستهلكة، يجب جمعها بشكل منفصل.
- إذا تم التخلص من الأجهزة الكهربائية في أكرام القمامة أو مقلب النفايات، قد تتسرب مواد خطيرة في المياه الجوفية وتصل إلى السلسلة الغذائية، وهو ما يضر بالصحة والبيئة.



استكشاف الأعطال وإصلاحها

المشكلة	السبب	الحل
لا يمكن بدء تشغيل الجِزارة العاملة بالخيط	<ul style="list-style-type: none"> مجموعة البطارية غير مركبة في الجِزارة العاملة بالخيط. لا يوجد اتصال كهربائي بين الجِزارة والبطارية. نقد شحن مجموعة البطارية. لم يتم الضغط على زر القفل والزناد بشكل متزامن. 	<ul style="list-style-type: none"> قم بتركيب مجموعة البطارية في الجِزارة العاملة بالخيط. إخلع البطارية، وافحص التوصيلات، ثم أعد تركيب مجموعة البطارية. اشحن مجموعة البطارية. اضغط لأسفل مع التثبيت على زر القفل، ثم اضغط مع التثبيت على الزناد لتشغيل الجِزارة العاملة بالخيط.
الجِزارة العاملة بالخيط تتوقف أثناء الجِز	<ul style="list-style-type: none"> الواقى غير مركب على الجِزارة، وهو ما يؤدي إلى خيط قطع طويل للغاية ووجود حمل زائد على المحرك. تم استخدام خيط قطع ثقيل. هناك عشب ملتف حول عمود المحرك أو رأس الجِزارة. هناك حمل زائد على المحرك. 	<ul style="list-style-type: none"> إخلع مجموعة البطارية وركب الواقى على الجِزارة. استخدم خيط الجِز الموصى به من النايلون بحيث لا يزيد قطره عن 2.4 مم. أوقف الجِزارة، وإخلع البطارية، وتخلص من العشب الملتف على عمود المحرك ورأس الجِزارة. ارفع رأس الجِزارة عن الحشائش. سيعاود المحرك العمل بمجرد التخلص من الحمل الواقع عليه أثناء الجِز، حرك رأس الجِزارة داخل الحشائش المراد جزها وخارجها، ولا تقم بإزالة طول يزيد عن 20 سم في كل مرة جِز.
الجِزارة العاملة بالخيط بدفع الخيط للأمام	<ul style="list-style-type: none"> مجموعة البطارية أو الجِزارة العاملة بالخيط ساخنة للغاية. مجموعة البطارية مفصولة من الآلة. نقد شحن مجموعة البطارية. 	<ul style="list-style-type: none"> أترك مجموعة البطارية أو الجِزارة تبرد إلى تهبط درجة الحرارة إلى ما دون 67 درجة مئوية. أعد تركيب مجموعة البطارية. اشحن مجموعة البطارية.
لا يقوم رأس الجِزارة بدفع الخيط للأمام	<ul style="list-style-type: none"> هناك عشب ملتف حول عمود المحرك أو رأس الجِزارة. لا يوجد خيط كافٍ في محتجز ملف الخيوط. رأس الجِزارة متسخ. الخيط متشابك في محتجز ملف الخيوط. الخيط قصير للغاية. 	<ul style="list-style-type: none"> أوقف الجِزارة، وإخلع البطارية، وتخلص من العشب الملتف على عمود المحرك ورأس الجِزارة. إخلع البطارية واستبدل خيط الجِز؛ واتبع التعليمات الواردة في قسم "استبدال الخيط" من هذا الدليل. إخلع البطارية ونظف محتجز ملف الخيوط وقاعدة ملف الخيوط. إخلع البطارية، وإخلع الخيط من محتجز ملف الخيوط وأعد لفته؛ واتبع التعليمات الواردة في قسم "استبدال الخيط" من هذا الدليل. إخلع البطارية واسحب الخيوط بينما تقوم بشكل متناوب بالضغط على رأس الجِزارة لأسفل ثم تحريرها.

المشكلة	السبب	الحل
تلتف الحشائش حول رأس الجرّارة وهيكل المحرك	<ul style="list-style-type: none"> يتم جرّ الحشائش الطويلة عند مستوى الأرض. 	<ul style="list-style-type: none"> اقطع العشب الطويل من أعلى لأسفل، مع إزالة طول لا يزيد عن 20 سم في كل مرة لمنع التفاف العشب على أجزاء الآلة.
الشفرة لا تقطع الخيط.	<ul style="list-style-type: none"> أصبحت شفرة قطع الخيط المموجة على حافة الوافى غير حادة. 	<ul style="list-style-type: none"> اشحذ شفرة قطع الخيط باستخدام مبرد أو استبدلها بشفرة جديدة.
هناك تشققات في رأس الجرّارة، أو محتجز ملف الخيوط ينفك من قاعدة ملف الخيوط.	<ul style="list-style-type: none"> رأس الجرّارة متهاك. 	<ul style="list-style-type: none"> يجب أني تم استبدال رأس الجرّارة بواسطة فني صيانة متخصص.
أثناء استبدال الخيط، لا يمكن تحميل الخيط في رأس الجرّارة كما ينبغي.	<ul style="list-style-type: none"> خيوط التحميل بمحتجز ملف الخيوط غير متحاذاة مع الثقوب الموجودة في قاعدة ملف الخيوط. لم يتم إدخال خيط الجرّ بشكل صحيح في فتحة التثبيت الموجودة في الثقب. 	<ul style="list-style-type: none"> أدر محتجز ملف الخيوط في اتجاه السهم لمحاذاة خيوط التحميل الموجودة بمحتجز ملف الخيوط مع الثقوب الموجودة في قاعدة ملف الخيوط. قم بمحاذاة خيوط التحميل مع الثقوب أولاً، ثم أدخل الخيط في فتحة التركيب الموجودة داخل الثقب.

الضمان

سياسة ضمان EGO

تفضل بزيارة الموقع الإلكتروني egopowerplus.com للتعرف على الشروط والأحكام الكاملة الخاصة بسياسة ضمان EGO.

