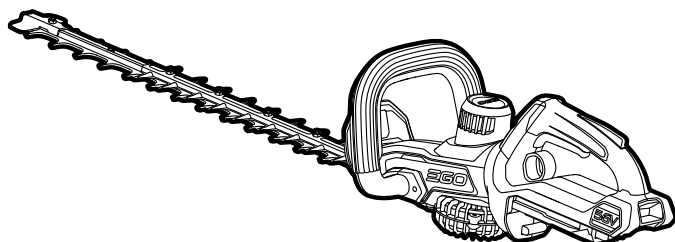


EGO™

POWER⁺ HEDGE TRIMMER

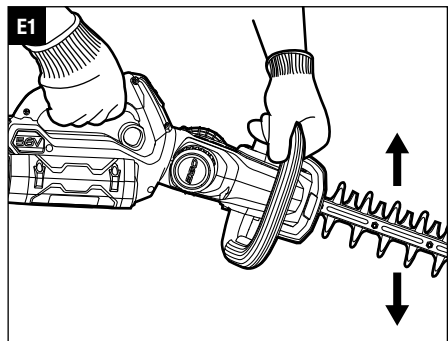
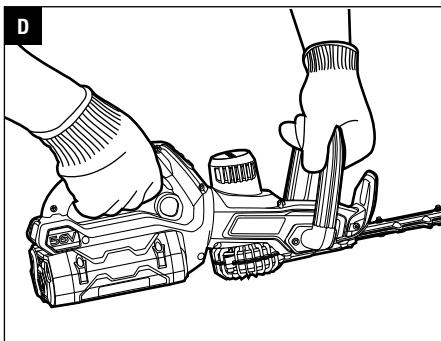
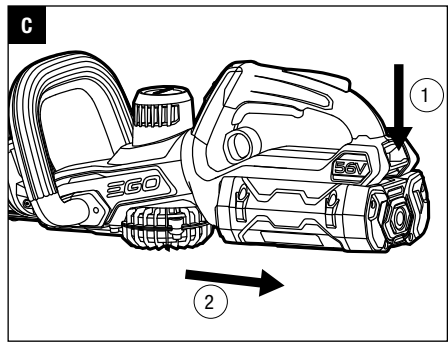
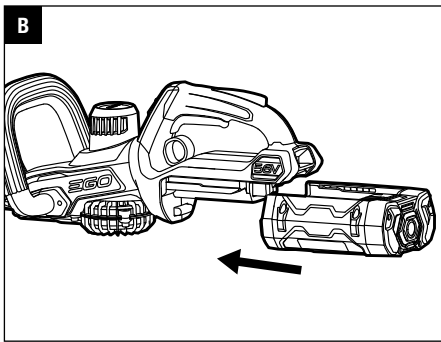
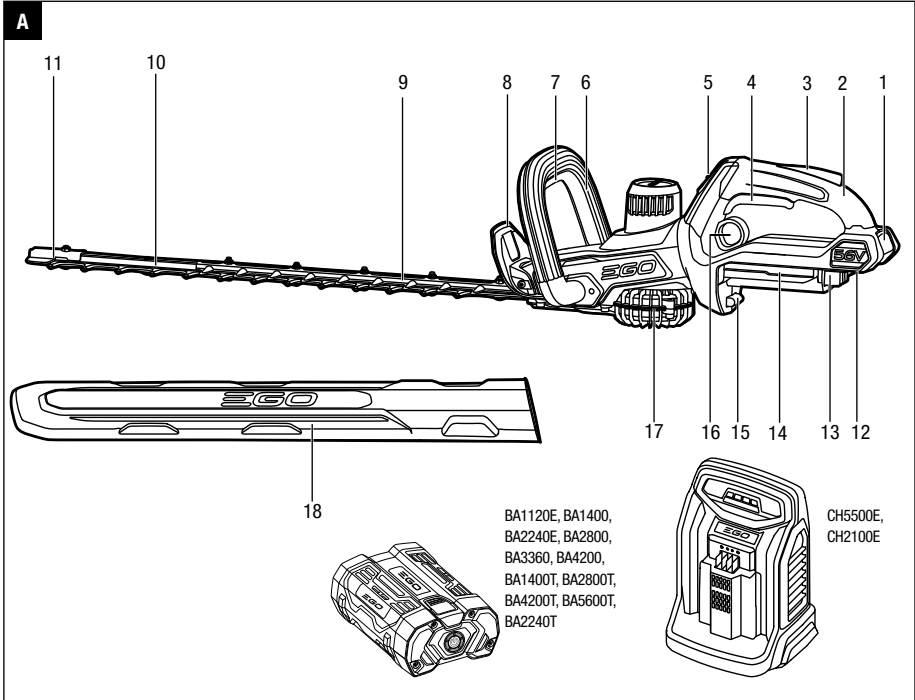


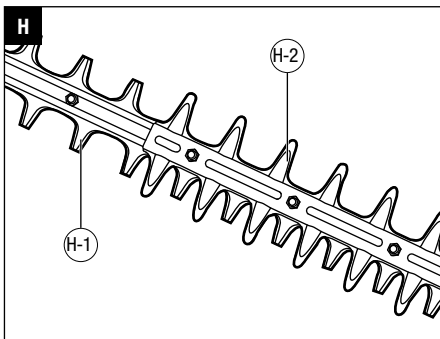
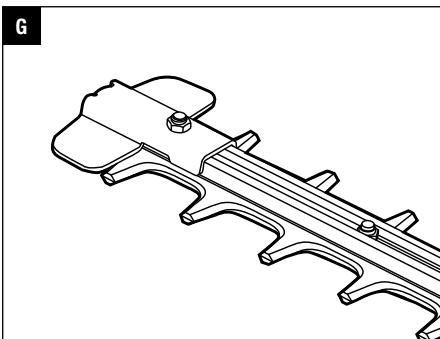
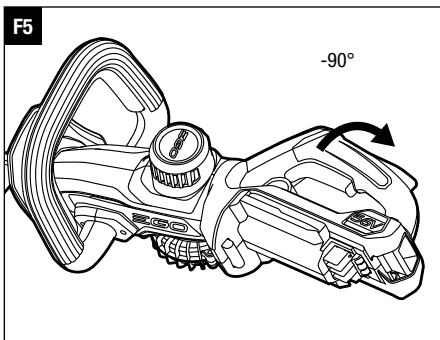
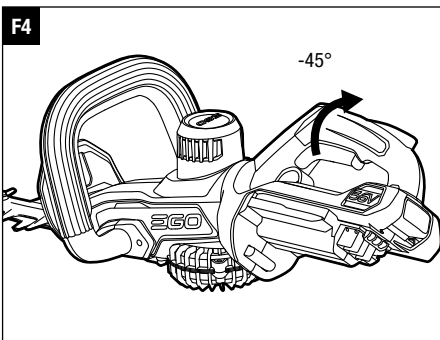
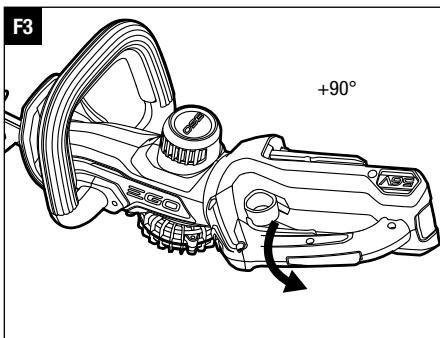
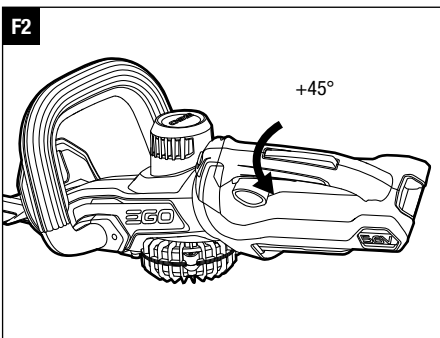
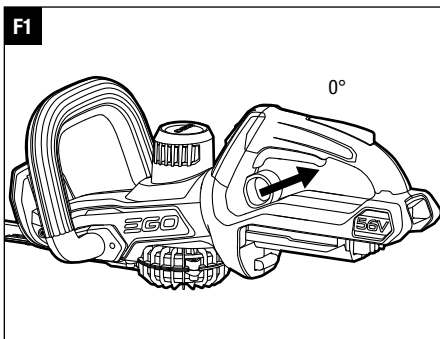
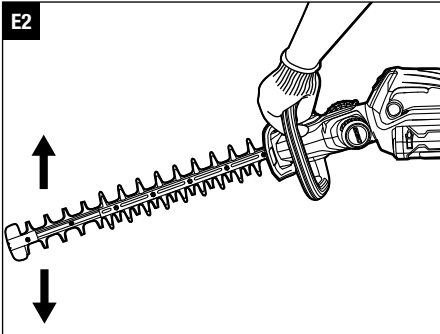
OPERATOR'S MANUAL

56 VOLT LITHIUM-ION CORDLESS HEDGE TRIMMER

MODEL NUMBER HT5100E/HT6500E

EN	56 Volt lithium-ion cordless hedge trimmer	4	LT	56 voltų ličio jonų belaidis gyvatvorių pjūklas	156
DE	Kabellose heckenschere 56 Volt	12	LV	56 voltu litija jonu bezvadu dzīvžoga šķēres	164
FR	Taille-daie sans fil lithium-ion 56V	21	GR	Ασυρματο φαιλδι μορτοριουρας λιθιου - ιοντων 56 volt	172
ES	Cortasetos inalámbrico de 56 voltios	30	TR	56 volt lityum-iyon kablosuz çit budama makinesi	181
PT	Corta-sebes sem fios de 56 volts	40	ET	56-voldise liitiumioonakuga juhtmeta hekitrimmer	189
IT	Tagliasiepi senza fili li-ion 56 volt	48	UK	56-вольтний літій-іонний акумуляторний тример для живоплоту	197
NL	56 Volt lithium-ion accuheggenschaar	57	BG	56 волта литиево-йонна безкабелна ножица за жив плет	206
DK	56 Volt lithium-ion akku hækkeklipper	66	HR	Bežični šišač živice s 56-voltnom litij-ionskom baterijom	215
SE	56 Volt lithium-ion-batteri sladdlös häcktrimmer	74	KA	56 ვოლტიანი ლითიუმ-იონის აკუმულატორიანი უსადენო ბუჩქების საკრეჭი	223
FI	56 Voltin litium-ion akkukäyttöinen pensasleikkuri	82	SR	Bežični trimer za živicu sa litijum-jonskom baterijom od 56 volti	236
NO	56 Volt lithium-ion hektrimmer uten ledning	90	BS	Akumulatorske makaze za živicu s litij-jonskom baterijom od 56 V	244
RU	Беспроводной кусторез литий-ионным аккумулятором 56v	98	HE	גוזם גדרות אלחוטי עם סוללות ליטיום-יון 56 וולט	252
PL	Bezprzewodowe nożyce do żywoplotu z baterią litowo-jonową 56 woltów	107	AR	جرازة سياح لاسلكية ببطارية ليثيوم-أيون 56 فولت	260
CZ	56 voltová lithium-iontová bezdrátové nůžky na živé ploty	116			
SK	56v lítium-iónová bezdrôtové nožnice na živé ploty	124			
HU	56 voltos vezeték nélküli lítium-ion sövénynyíró	132			
RO	Trimmer fără fir pentru gard viu cu acumulator de litiu ion de 56 volți	140			
SL	56-voltni litij-ionski brezžični obrezovalnik žive meje	148			





READ ALL INSTRUCTIONS!



READ & UNDERSTAND INSTRUCTION MANUAL

⚠ Residual risk! People with electronic devices, such as pacemakers, should consult their physician(s) before using this product. Operation of electrical equipment in close proximity to a heart pacemaker could cause interference or failure of the pacemaker.

⚠ WARNING: To ensure safety and reliability, all repairs and replacements should be performed by a qualified service technician.

SAFETY SYMBOLS

The purpose of safety symbols is to attract your attention to possible dangers. The safety symbols and the explanations with them deserve your careful attention and understanding. The symbol warnings do not, by themselves, eliminate any danger.

The instructions and warnings they give are no substitutes for proper accident prevention measures.

⚠ WARNING: Be sure to read and understand all safety instructions in this Operator's Manual, including all safety alert symbols such as **"DANGER," "WARNING,"** and **"CAUTION"** before using this tool. Failure to follow all instructions listed below may result in electric shock, fire, and/or serious personal injury.

SYMBOL MEANING

SAFETY ALERT SYMBOL: Indicates DANGER, WARNING, or CAUTION. May be used in conjunction with other symbols or pictographs.

⚠ WARNING: The operation of any power tools can result in foreign objects being thrown into your eyes, which can result in severe eye damage. Before beginning power tool operation, always wear safety goggles or safety glasses with side shields and a full face shield when needed. We recommend a Wide Vision Safety Mask for use over eyeglasses or standard safety glasses with side shields.

SAFETY INSTRUCTIONS

This page depicts and describes safety symbols that may appear on this product. Read, understand, and follow all instructions on the machine before attempting to assemble and operate.

	Safety Alert	Indicates a potential personal injury hazard.
	Read The Operator's Manual	To reduce the risk of injury, user must read operator's manual.
	Do Not Expose To Rain	WARNING: Do not use in the rain or leave outdoors while it is raining.
	Blade Length	The length of the blade
	Cutting Capacity	Max. Cutting capacity of the blade
V	Volt	Voltage
A	Amperes	Current
Hz	Hertz	Frequency (cycles per second)
W	Watt	Power
min	Minutes	Time
	Alternating Current	Type of current
	Direct Current	Type or a characteristic of current
n_0	No Load Speed	Rotational speed, at no load
... /min	Per Minute	Revolutions per minute
SPM	Strokes Per Minute	Stroke speed, at no load

GENERAL POWER TOOL SAFETY WARNINGS

⚠ WARNING: Read all safety warnings and instructions. Fail to follow the warnings and instructions may result in electric shock, fire and/or serious injury.

Save all warnings and instructions for future reference.

The term "power tool" in the warnings refers to your mains-operated (corded) power tool or battery-operated (cordless) power tool.

WORK AREA SAFETY

- **Keep work area clean and well lit.** Cluttered or dark areas invite accidents.
- **Do not operate power tools in explosive atmospheres, such as in the presence of flammable liquids, gases or dust.** Power tools create sparks which may ignite the dust or fumes.

- **Keep children and bystanders away while operating a power tool.** Distractions can cause you to lose control.

ELECTRICAL SAFETY

- **Power tool plugs must match the outlet. Never modify the plug in any way. Do not use any adapter plugs with earthed (grounded) power tools.** Unmodified plugs and matching outlets will reduce risk of electric shock.
- **Avoid body contact with earthed or grounded surfaces, such as pipes, radiators, ranges and refrigerators.** There is an increased risk of electric shock if your body is earthed or grounded.
- **Do not expose power tools to rain or wet conditions.** Water entering a power tool will increase the risk of electric shock.
- **Do not abuse the cord. Never use the cord for carrying, pulling or unplugging the power tool. Keep cord away from heat, oil, sharp edges or moving parts.** Damaged or entangled cords increase the risk of electric shock.
- **When operating a power tool outdoors, use an extension cord suitable for outdoor use.** Use of a cord suitable for outdoor use reduces the risk of electric shock.
- **If operating a power tool in a damp location is unavoidable, use a residual current device (RCD) protected supply.** Use of an RCD reduces the risk of electric shock.

PERSONAL SAFETY

- **Stay alert, watch what you are doing and use common sense when operating a power tool. Do not use a power tool while you are tired or under the influence of drugs, alcohol or medication.** A moment of inattention while operating power tools may result in serious personal injury.
- **Use personal protective equipment. Always wear eye protection.** Protective equipment such as dust mask, non-skid safety shoes, hard hat, or hearing protection used for appropriate conditions will reduce personal injuries.
- **Prevent unintentional starting. Ensure the switch is in the off-position before connecting to power source and/or battery pack, picking up or carrying the tool.** Carrying power tools with your finger on the switch or energizing power tools that have the switch on invites accidents.
- **Remove any adjusting key or wrench before turning the power tool on.** A wrench or a key left attached to a rotating part of the power tool may result in personal injury.

- **Do not overreach. Keep proper footing and balance at all times.** This enables better control of the power tool in unexpected situations.
- **Dress properly. Do not wear loose clothing or jewelry. Keep your hair, clothing and gloves away from moving parts.** Loose clothes, jewelry or long hair can be caught in moving parts.
- **If devices are provided for the connection of dust extraction and collection facilities, ensure these are connected and properly used.** Use of dust devices can reduce dust-related hazards.

POWER TOOL USE AND CARE

- **Do not force the power tool. Use the correct power tool for your application.** The correct power tool will do the job better and more safely at the rate for which it was designed.
- **Do not use the power tool if the switch does not turn it on and off.** Any power tool that cannot be controlled with the switch is dangerous and must be repaired.
- **Disconnect the plug from the power source and/or the battery pack from the power tool before making any adjustments, changing accessories, or storing power tools.** Such preventive safety measures reduce the risk of starting the power tool accidentally.
- **Store idle power tools out of the reach of children and do not allow persons unfamiliar with the power tool or these instructions to operate the power tool.** Power tools are dangerous in the hands of untrained users.
- **Maintain power tools. Check for misalignment or binding of moving parts, breakage of parts and any other condition that may affect the power tools operation. If damaged, have the power tool repaired before use.** Many accidents are caused by poorly maintained power tools.
- **Keep cutting tools sharp and clean.** Properly maintained cutting tools with sharp cutting edges are less likely to bind and are easier to control.
- **Use the power tool, accessories, tool bits, etc. in accordance with these instructions, taking into account the working conditions and the work to be performed.** Use of the power tool for operations different from those intended could result in a hazardous situation.

BATTERY TOOL USE AND CARE

- **Recharge only with the charger specified by the manufacturer.** A charger that is suitable for one type of battery pack may create a risk of fire when used with another battery pack.

- **Use power tools only with specifically designated battery packs.** Use of any other battery packs may create a risk of injury and fire.
- **When battery pack is not in use, keep it away from other metal objects, like paper clips, coins, keys, nails, screws or other small metal objects that can make a connection from one terminal to another.** Shorting the battery terminals together may cause burns or a fire.
- **Under abusive conditions, liquid may be ejected from the battery; avoid contact. If contact accidentally occurs, flush with water.** If liquid contact eyes, additionally seek medical help. Liquid ejected from the battery may cause irritation or burns.

SERVICE

- **Have your power tool serviced by a qualified repair person using only identical replacement parts.** This will ensure that the safety of the power tool is maintained.

HEDGE TRIMMER SAFETY WARNINGS

- **Keep all parts of the body away from the cutter blade. Do not remove cut material or hold material to be cut when blades are moving. Make sure the switch is off when clearing jammed material.** A moment of inattention while operating the hedge trimmer may result in serious personal injury.
- **Carry the hedge trimmer by the handle with the cutter blade stopped.** When transporting or storing the hedge trimmer always fit the cutting device cover. Proper handling of the hedge trimmer will reduce possible personal injury from the cutter blades.
- **Hold the power tool by insulated gripping surfaces only, because the cutter blade may contact hidden wiring.** Cutter blades contacting a “live” wire may make exposed metal parts of the power tool “live” and could give the operator an electric shock.
- **Keep cable away from cutting area.** During operation the cable may be hidden in shrubs and can be accidentally cut by the blade.
- Check the hedge for foreign objects before operating, e.g. wire fences.
- Only use the hedge trimmer with the guard properly assembled. The use of the hedge trimmer without the proper guard may result in serious personal injury!
- **Use both hands when operating the hedge trimmer. Using one hand could cause loss of control and result in serious personal injury.**

⚠ WARNING: Check the hedge for foreign objects before operating, e.g. wire fences Only use the hedge trimmer with the guard properly assembled. The use of the hedge trimmer without the proper guard may result in serious personal injury!

IMPORTANT SAFETY INSTRUCTIONS

- Do not use the battery-operated hedge trimmer in rain.
- Do not charge the battery pack in rain or in wet locations.
- Use only with battery packs and chargers listed in fig.A.
- Do not grasp the exposed cutting blades or cutting edges when picking up or holding the hedge trimmer.
- Do not use on a ladder, rooftop, tree, or other unstable support. Stable footing on a solid surface enables better control of the hedge trimmer in unexpected situations.
- Never allow children to operate the hedge trimmer.
- Never remove or tamper with safety devices. Check their proper operation regularly. Never do anything to interfere with the intended function of a safety device or to reduce the protection provided by a safety device.
- Never operate the hedge trimmer without proper guards, plates, or other safety protective devices in place.
- Check damaged parts before further use of the hedge trimmer. A guard or other part that is damaged should be carefully checked to determine that it will operate properly and perform its intended function. Check for alignment of moving parts, binding of moving parts, breakage of parts, mounting, and any other condition that may affect its operation. A guard or other part that is damaged should be properly repaired or replaced by an authorized service center unless indicated elsewhere in this manual.
- Check the blade and motor mounting bolts at frequent intervals for proper tightness. Also, visually inspect blade for damage (e.g., bent, cracked, and worn). Replace the blade only with a blade from EGO™.
- Replace the blade if it is bent or cracked. An unbalanced blade causes vibration that could damage the motor drive unit or cause personal injury.
- If the equipment should start to vibrate abnormally, stop the motor and check immediately for the cause. Vibration is generally a warning of trouble.

- The trimmer shall be used to cut stems less than (33mm) thick.
- Trim only in daylight or in good artificial light.
- Remove or disconnect battery before servicing, cleaning, or removing material from the hedge trimmer.
- Do not wash with a hose; avoid getting water in motor and electrical connections.
- When servicing use only identical replacement parts listed in this manual. Use of parts which do not meet the original equipment specifications may lead to improper performance and compromised safety.
- Follow instructions for lubricating and changing accessories.
- Keep handles dry, clean and free from oil and grease.
- Save these instructions. Refer to them frequently and use them to instruct others who may use this tool. If you loan this tool to someone else, also loan these instructions to them to prevent misuse of the product and possible injury.

- The declared vibration total value has been measured in accordance with a standard test method and may be used for comparing one tool with another;
- The declared vibration total value may also be used in a preliminary assessment of exposure.

NOTICE: The vibration emission during actual use of the power tool can differ from the declared value in which the tool is used; In order to protect the operator, user should wear gloves and ear protectors in the actual conditions of use.

PACKING LIST

PART NAME	QUANTITY
Hedge Trimmer	1
Shield	1
Operator's manual	1

DESCRIPTION

KNOW YOUR HEDGE TRIMMER (Fig. A)

1. Battery-release Button
2. Rear Handle
3. Lock-off Trigger
4. Rear Switch Lever
5. Speed Adjustment Knob
6. Front Handle
7. Front Switch Lever
8. Hand Guard
9. Blade Guard
10. Blade
11. Tip Protector
12. Latch
13. Electric Contacts
14. Mounting Slot
15. Ejection Mechanism
16. Lock for Handle
17. Motor Housing
18. Shield

⚠ WARNING: This product has been shipped completely assembled. The hand guard shall never be removed during use. Once damaged, replace it immediately by a qualified service technician.

SAVE THESE INSTRUCTIONS!

SPECIFICATIONS

Model	HT5100E	HT6500E
Voltage	56 V	56 V
No-Load Speed	High	1600 /min
	Low	1400 /min
Recommended Operating Temperature:	0°C-40°C	
Recommended Storage Temperature:	-20°C-70°C	
Blade Length	51 cm	65 cm
Cutting Capacity	33 mm	33 mm
Weight (without battery pack)	3.6 kg	3,8 kg
Measured sound power level L_{WA}	90 dB(A) K=1.55 dB(A)	91.45 dB(A) K=1.08 dB(A)
Sound pressure level at operator's position L_{PA} K=2.5 dB(A)	81.5 dB(A)	81.4 dB(A)
Guaranteed sound power level L_{WA} (according to 2000/14/EC)	92 dB(A)	93 dB(A)
Vibration a_h K=1.5 m/s ²	Front Handle	3.369 m/s ²
	Rear Handle	1.876 m/s ²
		5.313 m/s ²
		3.115 m/s ²

⚠ WARNING: The safe use of this product requires an understanding of the information on the tool and in this operator's manual, as well as knowledge of the project you are attempting. Before use of this product, familiarize yourself with all operating features and safety rules.

OPERATION

⚠ WARNING: Do not allow familiarity with this product to make you careless. Remember that a careless fraction of a second is sufficient to inflict serious injury.

⚠ WARNING: Always wear eye protection with side shields, along with hearing protection. Failure to do so could result in objects being thrown into your eyes and other possible serious injuries.

⚠ WARNING: To prevent accidental starting that could cause serious personal injury, always remove the battery pack from the tool when assembling parts, making adjustments, cleaning, or when not in use.

⚠ WARNING: Do not use any attachments or accessories not recommended by EGO™. The use of attachments or accessories not recommended can result in serious personal injury.

Before each use, inspect the entire product for damaged, missing, or loose parts, such as screws, nuts, bolts, caps, etc. Tighten securely all fasteners and caps and do not operate this product until all missing or damaged parts are replaced.

APPLICATION

You may use this product for trimming the hedges, shrubs and bushes with a branch diameter of less than Ø33 mm.

NOTICE: The tool is to be used only for its prescribed purpose. Any other use is deemed to be a case of misuse.

INSTALLING/REMOVING THE BATTERY PACK

Charge before first use.

To Install (Fig. B)

Align the battery ribs with the mounting slots and press the battery pack down until you hear a "click".

To Remove (Fig. C)

Depress the battery-release button and pull the battery pack out.

⚠ WARNING: Always be aware for the location of your feet, children, or pets when pressing the battery-release button. Serious injury could result if the battery pack falls. NEVER remove the battery pack at a high location.

STARTING/STOPPING THE HEDGE TRIMMER

Before operating, remove the shield and hold the trimmer with both hands, one hand on the rear handle and the other on the front handle. Then check for balanced footing, upright standing and a proper cutting distance.

⚠ WARNING: Always keep both hands on the hedge trimmer handles. Never hold shrubs with one hand and operate the hedge trimmer with the other. Failure to heed this warning may result in serious injury.

To Start

Depress the lock-off trigger with palm and then press the rear switch level up. With rear switch level depressed, continue pressing the front switch lever to start.

To Stop

Release either of the switch levers to stop it.

NOTICE: Both switch levers need to be pressed for the hedge trimmer to start.

USING THE HEDGE TRIMMER

⚠ WARNING: If the blade jams on any electrical cord or line, DO NOT TOUCH THE BLADE! IT CAN BECOME ELECTRICALLY LIVE AND VERY DANGEROUS. Continue to hold the hedge trimmer by the insulated rear handle or lay it down and away from you in a safe manner. Disconnect the electrical service to the damaged line or cord before attempting to free the blade from the line or cord. Failure to heed this warning will result in serious personal injury or possible death.

⚠ WARNING: To prevent serious personal injury, keep hands away from blades. Do not attempt to remove cut material or hold material to be cut when the blades are moving. Make sure that the blades have totally stopped and the battery pack is removed before clearing jammed material from blades. Do not grasp the exposed cutting blades or cutting edges when picking up or holding the unit.

⚠ WARNING: Clear the area to be cut before each use. Remove all objects, such as cords, lights, wire, or string which can become entangled in the cutting blade and create a risk of serious personal injury.

⚠ WARNING: Avoid trimming too much at one time or through the heavy shrubbery. This can cause the blades to bind and slow, reducing the cutting efficiency.

NOTICE: For new growth, a wide sweeping is suitable for the stems fed directly into the cutting blade. For older growth, a sawing movement is good for trimming the thicker stems. A non-powered hand saw or pruning saw is suggested for trimming the large stems first.

Top Cutting

Use a wide sweeping motion. A slight downward tilt of the cutting blades in the direction of motion gives the best cutting results. For better cutting effect, you might as well use the string to guide the hedge level as Fig. D shown.

Side Cutting

When trimming the sides of the hedge, begin at the bottom and cut upwards as Fig. E1 or Fig. E2 shown.

Radical Cutting

The hedge trimmer's rear handle can be set in five positions ($0^\circ/\pm 45^\circ/\pm 90^\circ$) by pulling out the catch (Fig. F1 to Fig. F5). If a radical cut is necessary, set the rear handle to $\pm 45^\circ$ (Fig. F2 & F4) to do cutting.

⚠ WARNING: When the handle is adjusted, the cutting blade must not be running.

NOTICE: While working, the handle should always be facing upwards irrespective of how the hedge trimmer is directed.

Tip Protector

The tip protector (Fig. G) is used to protect the outer end of the blade.

Blade Guard

The outer part of the blades is shaped as blade guards (Fig. H).

H-1	Blade
H-2	Blade Guard

⚠ WARNING: Always check that the blade guard is not damaged or distorted. Replace it if it is bent or damaged.

MAINTENANCE

⚠ WARNING: When servicing, use only identical replacement parts. Use of any other parts may create a hazard or cause product damage. To ensure safety and reliability, all repairs should be performed by a qualified service technician.

⚠ WARNING: To avoid serious personal injury, always remove the battery pack from the product when cleaning or performing any maintenance.

CLEANING

- Use a soft brush to remove debris from all air intakes and cutting blade.

- To remove pitch and other sticky residue, spray the blades with resin solvent. Run the motor briefly so that the solvent is evenly distributed.
- Wipe the surface with a dry cloth.

⚠ WARNING: Never use water for cleaning your trimmer. Avoid using solvents when cleaning plastic parts. Most plastics are susceptible to damage from various types of commercial solvents. Use clean clothes to remove dirt, dust, oil, grease, etc.

SHARPENING THE CUTTING BLADE

1. Remove the battery pack from your hedge trimmer.
2. Clamp the blade assembly in a vise and file the exposed cutting surface of each blade tooth. Remove as little material as possible.
3. Remove the hedge trimmer from the vise and adjust the unsharpened blade on the other side exposed. Repeat the above procedures until all the blade teeth sharpened.

NOTICE: Do not operate your hedge trimmer with dull or damaged cutting blades. This may cause overload and will give unsatisfactory cutting results.

LUBRICATING THE BLADE

For best operation and longer blade life, lubricate the hedge trimmer blade with light weight machine oil before and after each use.

Remove the battery pack and lay the trimmer onto a flat surface. Apply the oil along the edge of the top blade.

NOTICE: For extended using period, oil the blade during cutting operation.

⚠ WARNING: Do not oil while the hedge trimmer is running.

LUBRICATING THE GEARBOX

For best operation and longer lifetime, please lubricate the hedge trimmer gearbox with a special grease (5-6g in #1 and 10-12g in #2 each time) after every 25 hours of operation.

Note: Please contact your local EGO service dealer for assistance.

The special grease should meet the following requirements:

1. Belong to DIN51818: NLGI-2 cone penetration degree.
2. Composed of polyurea thickeners + synthetic lubricating oil.

3. Excellent low-temperature startup, EP, mechanical shearing, abrasion resistance and oxidative stability properties.
4. Operation temperature must contain -40~180°C.

TRANSPORTING AND STORING

- Always place the shield on the blade before storing or transporting the hedge trimmer. Use caution to avoid the sharp teeth of the blade.
- Clean the hedge trimmer thoroughly before storing.
- Store the hedge trimmer indoors, in a dry place that is inaccessible to children.
- Keep away from corrosive agents such as garden chemicals and deicing salts.

⚠ WARNING: Blades are sharp. When handling the blade assembly, wear non-slip, heavy-duty protective gloves. Do not place your hand or fingers between blades or in any position where they could get pinched or cut. NEVER touch blades or service the unit with battery pack installed.

Protecting the environment



Do not dispose of electrical equipment, battery charger and batteries/rechargeable batteries into household waste!

According to the European law 2012/19/EU, electrical and electronic equipment that is no longer usable, and according to the European law 2006/66/EC, defective or used battery packs/batteries, must be collected separately.

If electrical appliances are disposed of in landfills or dumps, hazardous substances can leak into the groundwater and get into the food chain, damaging your health and well-being.

TROUBLESHOOTING

PROBLEM	CAUSE	SOLUTION
Hedge trimmer doesn't work.	<ul style="list-style-type: none"> The battery pack is not attached to the hedge trimmer. 	<ul style="list-style-type: none"> Attach the battery pack to the hedge trimmer.
	<ul style="list-style-type: none"> No electrical contact between the trimmer and battery 	<ul style="list-style-type: none"> Remove battery, check contacts and reinstall the battery pack.
	<ul style="list-style-type: none"> The battery pack is depleted. 	<ul style="list-style-type: none"> Charge the battery pack.
	<ul style="list-style-type: none"> The battery pack is too hot. 	<ul style="list-style-type: none"> Remove the battery pack from the tool and allow it to cool until the temperature drops below 67°C.
	<ul style="list-style-type: none"> The hedge trimmer is too hot. 	<ul style="list-style-type: none"> Release both switch levers; allow the trimmer to cool until the temperature drops below 77°C.
	<ul style="list-style-type: none"> The two switch levers are not depressed simultaneously. 	<ul style="list-style-type: none"> Depress the switch levers on the front and rear handle simultaneously.
	<ul style="list-style-type: none"> The blade is jammed. 	<ul style="list-style-type: none"> Remove the battery pack from the tool, remove the obstruction carefully, then reinsert the battery and restart the tool.
Excessive vibration or noise.	<ul style="list-style-type: none"> Dry or corroded blades. 	<ul style="list-style-type: none"> Lubricate the blades, following the section "LUBRICATING THE BLADE" in this manual.
	<ul style="list-style-type: none"> Blades or blade support is bent. 	<ul style="list-style-type: none"> Replace with a new blade or support. Contact EGO service center for blade or support replacement service.
	<ul style="list-style-type: none"> Bent or damaged teeth. 	<ul style="list-style-type: none"> Replace with a new blade. Contact EGO service center for blade replacement service.
	<ul style="list-style-type: none"> Loose blade bolts. 	<ul style="list-style-type: none"> Tighten the blade bolts. Using a wrench, turn the bolt clockwise to tighten.

WARRANTY

EGO WARRANTY POLICY

Please visit the website egopowerplus.com for full terms and conditions of the EGO Warranty policy.

LESEN SIE ALLE ANWEISUNGEN!

DE



LESEN UND BEACHTEN SIE DIE BEDIENUNGSANLEITUNG

⚠ Restrisiko! Menschen mit elektronischen Geräten, wie z.B. Herzschrittmachern, sollten ihren Arzt konsultieren, bevor sie dieses Gerät verwenden. Die Bedienung von Elektrogeräten in unmittelbarer Nähe zu Herzschrittmachern kann zu Interferenzen und Störungen des Schrittmachers führen.

⚠ WARNUNG: Um die Sicherheit und Zuverlässigkeit zu gewährleisten, sollten alle Reparaturen und der Austausch von Teilen nur von qualifizierten Servicetechnikern durchgeführt werden.

WARNSYMBOLE

Der Zweck von Sicherheitssymbolen besteht darin, Ihre Aufmerksamkeit auf mögliche Gefahren zu lenken. Die Sicherheitssymbole und deren Erklärungen verdienen Ihre vollste Aufmerksamkeit und ihr Verständnis. Die Warmsymbole beseitigen nicht von sich aus die Gefahren.

Ihre Anweisungen und Warnungen sind kein Ersatz für angemessene Unfallverhütungsmaßnahmen.

⚠ WARNUNG: Achten Sie darauf, dass Sie, bevor Sie das Gerät benutzen, alle Sicherheitsanweisungen dieser Bedienungsanleitung gelesen und verstanden haben, einschließlich aller Gefahrenzeichen wie „**VORSICHT**“, „**WARNUNG**“ und „**ACHTUNG**“. Die Nichtbeachtung der unten angeführten Anweisungen kann zu Stromschlägen, Feuer und/oder schweren Verletzungen führen.

SYMBOLBEDEUTUNG

SYMBOL FÜR SICHERHEITSWARNUNGEN: Weist auf GEFÄHR, WARNUNG oder VORSICHT hin. Kann zusammen mit anderen Symbolen oder Bildern verwendet werden.

⚠ WARNUNG: Die Bedienung von Akku Geräten kann dazu führen, dass Fremdkörper in Ihre Augen geschleudert werden und Sie dadurch schwerwiegende Augenschäden davontragen. Tragen Sie immer eine Schutzbrille, wenn möglich mit Seitenschutz, oder, falls nötig, einen vollen Gesichtsschutz, bevor Sie mit der Bedienung der Akku Geräte beginnen. Wir empfehlen Ihnen, einen Gesichtsschutz über Ihrer eigenen Brille oder eine Standardsicherheitsbrille mit Seitenschutz zu tragen.

SICHERHEITSHINWEISE

Diese Seite zeigt und beschreibt die Sicherheitssymbole, die auf diesem Produkt erscheinen können. Lesen, verstehen und befolgen Sie die Anweisungen auf der Maschine, bevor Sie versuchen, die Maschine zusammenzubauen oder zu bedienen.

	Sicherheitswarnung	Weist auf mögliche Verletzungsgefahr hin.
	Lesen Sie die Bedienungsanleitung	Um das Verletzungsrisiko zu verringern, muss der Benutzer die Bedienungsanleitung lesen.
	Vor Regen schützen	WARNUNG: Nicht im Regen verwenden oder bei Regen im Freien liegen lassen.
	Messerlänge	Die Länge des Messers
	Mähkapazität	Max. Schnittleistung des Messers
V	Volt	Spannung
A	Ampere	Stromstärke
Hz	Hertz	Frequenz
W	Watt	Leistung
min	Minuten	Zeit
	Wechselstrom	Stromzufuhr
	Gleichstrom	Art oder Eigenschaft der Stromzufuhr
n_0	Leerlaufdrehzahl	Drehzahl im Leerlauf
... /min	pro Minute	Umdrehungen pro Minute
SPM	Hübe pro Minute	Hubgeschwindigkeit im Leerlauf

ALLGEMEINE SICHERHEITSHINWEISE ZU ELEKTROWERKZEUGEN

⚠ WARNUNG: Lesen Sie alle Sicherheitshinweise und Anweisungen. Die Nichtbeachtung der Warn- und Bedienungshinweise kann zu Stromschlägen, Feuer und/oder schweren Verletzungen führen.

Bewahren Sie alle Warn- und Bedienhinweise für Nachschlagezwecke auf.

Unter den Begriff „Elektrowerkzeug“ in den Warnhinweisen fallen Ihre netzbetriebenen (d.h. schnurgebundenen) oder akkubetriebenen (d.h. schnurlosen) Elektrowerkzeuge.

SICHERHEIT IM ARBEITSBEREICH

- **Halten Sie den Arbeitsbereich stets sauber und gut beleuchtet.** Nicht aufgeräumte oder dunkle Bereiche können Unfälle provozieren.
- **Verwenden Sie das Elektrowerkzeug nicht in explosionsgefährdeten Umgebungen wie z.B. in Gegenwart von entzündlichen Flüssigkeiten, Gasen oder Staub.** Elektrowerkzeuge erzeugen Funken, die Staub oder Dämpfe entzünden können.
- **Halten Sie Schaulustige und Kinder beim Arbeiten mit dem Elektrowerkzeug fern.** Ablenkungen können dazu führen, dass Sie die Kontrolle verlieren.

ELEKTRISCHE SICHERHEIT

- **Die Stecker von Elektrowerkzeugen müssen zur Steckdose passen. Modifizieren Sie den Stecker in keiner Weise. Verwenden Sie keine Adapterstecker mit geerdeten Elektrowerkzeugen.** Nicht modifizierte Stecker und passende Steckdosen reduzieren die Stromschlaggefahr.
- **Vermeiden Sie den Körperkontakt zu geerdeten Flächen wie zum Beispiel Rohrleitungen, Heizkörpern, Herden und Kühlschränken.** Es besteht erhöhte Stromschlaggefahr, wenn Ihr Körper geerdet ist.
- **Setzen Sie Elektrowerkzeuge nicht bei Regen oder feuchten Bedingungen ein.** Wenn Wasser in das Elektrowerkzeug eindringt, besteht erhöhte Stromschlaggefahr.
- **Beanspruchen Sie das Kabel nicht übermäßig. Tragen oder ziehen Sie das Werkzeug niemals am Kabel und ziehen Sie nicht am Kabel, um den Stecker aus der Steckdose zu entfernen. Halten Sie das Kabel von Hitze, Öl, scharfen Kanten oder beweglichen Teilen fern.** Beschädigte oder verknottete Kabel erhöhen die Stromschlaggefahr.
- **Wenn Sie ein Elektrowerkzeug im Freien benutzen, verwenden Sie ein Verlängerungskabel, das für den Gebrauch im Freien geeignet ist.** Die Verwendung eines für den Einsatz im Freien geeigneten Kabels reduziert die Stromschlaggefahr.
- **Wenn der Gebrauch eines Elektrowerkzeuges an einem feuchten Ort unvermeidbar ist, benutzen Sie eine durch eine Fehlerstromschutzeinrichtung (FI-Schalter) geschützte Stromquelle.** Die Verwendung einer Fehlerstromschutzeinrichtung reduziert die Stromschlaggefahr.

PERSONENSICHERHEIT

- **Seien Sie wachsam, geben Sie darauf Acht, was Sie tun, und benutzen Sie Ihren gesunden Menschenverstand, wenn Sie das Elektrowerkzeug verwenden. Betreiben Sie das Gerät nicht, wenn Sie müde oder unter dem Einfluss von Drogen, Alkohol oder Medikamenten stehen.** Ein Moment der Unachtsamkeit kann zu ernsthaften Verletzungen führen.
- **Tragen Sie eine persönliche Schutzausrüstung. Tragen Sie immer einen Augenschutz.** Durch eine für die jeweiligen Bedingungen geeignete Schutzausrüstung wie etwa eine Staubschutzmaske, rutschfeste Schuhe, Helm oder Gehörschutz lässt sich die Verletzungsgefahr verringern.
- **Beugen Sie einem versehentlichen Starten vor. Stellen Sie sicher, dass der Schalter in der Aus-Position steht, bevor Sie das Werkzeug mit der Stromquelle und/oder dem Akku verbinden, es aufheben oder tragen.** Das Tragen von Elektrowerkzeugen mit dem Finger am Schalter oder das Verbinden des Steckers bei betätigtem Schalter fördert Unfälle.
- **Entfernen Sie alle Einstellschlüssel oder Schraubenschlüssel, bevor Sie das Elektrowerkzeug einschalten.** Ein Schraubenschlüssel oder ein Schlüssel, der noch an einem beweglichen Teil des Elektrowerkzeuges befestigt ist, kann zu Verletzungen führen.
- **Lehnen Sie sich nicht zu weit nach vorn. Achten Sie stets auf einen festen Stand und halten Sie das Gleichgewicht.** Dies ermöglicht eine bessere Kontrolle über das Elektrowerkzeug in unerwarteten Situationen.
- **Tragen Sie angemessene Kleidung. Tragen Sie keine weite Kleidung oder Schmuck. Halten Sie Ihr Haar, Ihre Kleidung und Handschuhe von den beweglichen Teilen fern.** Weite Kleidung, Schmuck oder langes Haar können sich in den beweglichen Teilen verfangen.
- **Wenn Geräte zum Anschließen zwecks Staubabsaugung und Auffangvorrichtungen mitgeliefert werden, achten Sie darauf, dass diese ordnungsgemäß befestigt und benutzt werden.** Die Benutzung von Geräten zur Staubabsaugung kann Gefahren durch Staub reduzieren.

GEBRAUCH UND PFLEGE DES ELEKTROWERKZEUGS

- **Üben Sie keinen übermäßigen Druck auf das Elektrowerkzeug aus.** Verwenden Sie das richtige Elektrowerkzeug für Ihre Aufgabe. Das passende Elektrowerkzeug wird die Aufgabe besser und auf sicherere Weise im Rahmen des Wirkungsgrades erledigen, für den es entwickelt wurde.

- **Verwenden Sie das Elektrowerkzeug nicht, wenn der Schalter sich nicht ein- und ausschalten lässt.** Ein Elektrowerkzeug, das sich nicht durch den Schalter bedienen lässt, ist gefährlich und muss repariert werden.
- **Ziehen Sie den Stecker aus der Netzsteckdose und/oder entfernen Sie den Akkusatz aus dem Elektrowerkzeug, bevor Sie Einstellungen vornehmen, Zubehör auswechseln oder das Elektrowerkzeug verstauen.** Solche vorsorglichen Sicherheitsmaßnahmen verringern die Gefahr, dass sich das Elektrowerkzeug unbeabsichtigt einschaltet.
- **Lagern Sie nicht benutzte Elektrowerkzeuge außer Reichweite von Kindern und lassen Sie keine Personen, die mit dem Elektrowerkzeug oder diesen Anleitungen nicht vertraut sind, das Elektrowerkzeug benutzen.** Elektrowerkzeuge sind gefährlich in den Händen ungeübter Benutzer.
- **Warten Sie Elektrowerkzeuge. Achten Sie auf falsch ausgerichtete Teile oder Behinderungen beweglicher Teile, auf Bruchstellen und alle anderen Umstände, die die Funktion des Elektrowerkzeuges beeinträchtigen könnten. Wenn es beschädigt ist, lassen Sie das Elektrowerkzeug reparieren, bevor Sie es benutzen.** Viele Unfälle entstehen durch schlecht gewartete Elektrowerkzeuge
- **Halten Sie Schneidwerkzeuge scharf und sauber.** Sachgemäß gewartete Schneidwerkzeuge mit scharfen Schneiden neigen weniger dazu, sich zu verklemmen und sind einfacher zu kontrollieren
- **Benutzen Sie das Elektrowerkzeug, Zubehör, Werkzeugteile usw. gemäß diesen Anleitungen und berücksichtigen Sie dabei die Arbeitsbedingungen und die auszuführende Arbeit.** Die Verwendung des Elektrowerkzeugs für Aufgaben, die von seinem bestimmungsgemäßen Zweck abweichen, kann zu gefährlichen Situationen führen.

BENUTZUNG UND WARTUNG VON AKKUWERKZEUGEN

- **Laden Sie den Akku nur mit dem vom Hersteller angegebenen Ladegerät auf.** Ein Ladegerät, das für einen bestimmten Akkutyp geeignet ist, kann bei der Benutzung mit einem anderen Akkusatz ein Brandrisiko darstellen.
- **Benutzen Sie Elektrowerkzeuge nur mit dem zu diesem Zweck entwickelten Akkusatz.** Die Verwendung von anderen Akkusätzen birgt das Risiko in sich, das Verletzungen verursacht werden und ein Feuer entstehen könnte.
- **Wenn der Akkusatz nicht benutzt wird, halten Sie ihn von anderen metallischen Objekten fern, wie Büroklammern, Münzen, Schlüssel, Nägel, Schrauben oder anderen kleinen Metallobjekten, die eine Verbindung zwischen den Batteriekontakten herstellen können.** Das Kurzschließen der Batteriekontakte kann Verbrennungen oder ein Feuer verursachen.
- **Bei falscher Anwendung kann Flüssigkeit aus dem Akku austreten; vermeiden Sie den Kontakt mit dieser Flüssigkeit. Falls Sie versehentlich mit der Flüssigkeit in Berührung gekommen sind, spülen Sie mit Wasser.** Falls Flüssigkeit in die Augen geraten ist, suchen Sie zudem einen Arzt auf. Aus dem Akku austretende Flüssigkeit kann Reizungen oder Verbrennungen verursachen.

REPARATUR

- **Lassen Sie Ihr Elektrowerkzeug von einer qualifizierten Fachkraft und nur mit identischen Ersatzteilen reparieren.** Dadurch wird gewährleistet, dass die Sicherheit des Elektrowerkzeugs gewahrt wird.

WARNHINWEISE ZUR HECKENSCHERE

- **Halten Sie alle Körperteile vom Schneidmesser fern. Entfernen Sie kein Schnittgut oder halten Sie Schnittgut, wenn die Messer in Bewegung sind. Stellen Sie sicher, dass der Schalter in der Aus-Position ist, wenn Sie eingeklemmtes Material entfernen.** Ein Moment der Unachtsamkeit bei der Arbeit mit der Heckenschere kann zu schweren Verletzungen führen.
- **Tragen Sie die Heckenschere am Griff und nur wenn das Schneidmesser stillsteht.** Wenn Sie die Heckenschere transportieren oder lagern, befestigen Sie immer die Schutzabdeckung der Schneidvorrichtung. Die sachgemäße Handhabung der Heckenschere wird das Verletzungsrisiko durch die Schneidmesser reduzieren.
- **Halten Sie das Elektrowerkzeug nur an den isolierten Halteflächen fest, da das Schneidmesser versteckte Kabel berühren könnte.** Schneidmesser, die mit einem „Strom führenden“ Kabel in Berührung kommen, können zu den freiliegenden Metallteilen des Elektrowerkzeugs Strom leiten und dem Benutzer einen Stromschlag verpassen.
- **Halten Sie das Kabel vom Schneidbereich fern.** Während der Arbeiten kann das Kabel von Büschen oder Hecken verdeckt werden und vom Messer versehentlich durchtrennt werden.
- **Untersuchen Sie die Hecke vor dem Schneiden auf Fremdkörper, z.B. Drahtzäune.**

- Benutzen Sie die Heckenschere nur, wenn die Schutzabdeckung korrekt angebracht ist. Die Verwendung der Heckenschere ohne geeignete Schutzabdeckung kann zu schweren persönlichen Verletzungen führen!
- **Benutzen Sie beim Gebrauch der Heckenschere beide Hände. Die Benutzung nur einer Hand kann zum Kontrollverlust führen und schwere Verletzungen verursachen.**

⚠ WARNUNG: Untersuchen Sie die Hecke vor dem Schneiden auf Fremdkörper, z.B. Drahtzäune. Benutzen Sie die Heckenschere nur, wenn die Schutzabdeckung korrekt angebracht ist. Die Verwendung der Heckenschere ohne geeignete Schutzabdeckung kann zu schweren persönlichen Verletzungen führen!

WICHTIGE SICHERHEITSHINWEISE

- Benutzen Sie die akkubetriebene Heckenschere nicht im Regen.
- Laden Sie den Akkusatz nicht im Regen oder an nassen Orten auf.
- Nur mit akkus und ladegeräten verwenden, die in abb. A aufgeführt sind.
- Greifen Sie nicht die freiliegenden Messer oder Schneiden, wenn Sie die Heckenschere aufheben oder halten.
- Nicht auf Leitern, Dächern, Bäumen oder anderen instabilen Untergründen verwenden. Ein sicherer Halt auf festen Flächen ermöglicht es Ihnen, die Heckenschere auch in unerwarteten Situationen sicher kontrollieren zu können.
- Lassen Sie niemals Kinder die Heckenschere benutzen.
- Manipulieren oder entfernen Sie niemals die Sicherheitsvorrichtungen. Prüfen Sie regelmäßig, ob sie ordnungsgemäß funktionieren. Tun Sie niemals etwas, das die bestimmungsgemäße Funktion einer Sicherheitsvorrichtung beeinträchtigt oder den durch eine Sicherheitsvorrichtung bereitgestellten Schutz reduziert.
- Benutzen Sie die Heckenschere niemals, wenn die passenden Schutzabdeckungen, Platten oder andere Sicherheitsvorrichtungen nicht befestigt sind.
- Prüfen Sie beschädigte Teile, bevor Sie die Heckenschere weiter benutzen. Eine Schutzabdeckung oder ein anderes Teil, das beschädigt ist, muss sorgfältig untersucht werden, um zu bestimmen, ob es ordnungsgemäß funktionieren und seine bestimmungsgemäße Aufgabe erfüllen wird. Achten Sie auf die Ausrichtung oder Behinderung beweglicher Teile, auf Bruchstellen, Befestigungen und alle anderen Umstände, die die Funktion des Gerätes beeinträchtigen könnten. Eine Schutzabdeckung oder ein anderes Teil, das beschädigt ist, sollte von einer autorisierten Servicewerkstatt sachgemäß repariert oder ersetzt werden, sofern es nicht anders in dieser Bedienungsanleitung angegeben ist.
- Prüfen Sie regelmäßig, ob die Schrauben der Klinge und des Motors fest angezogen sind. Unterziehen Sie die Klinge einer Sichtprüfung, um Beschädigungen zu identifizieren (z. B. verbogen, gesprungen und abgenutzt). Wechseln Sie die Klinge nur durch eine Klinge von EGO™ aus.
- Wechseln Sie die Klinge aus, falls sie verbogen oder gesprungen ist. Eine unsymmetrische Klinge verursacht Vibrationen, die den Motorantrieb beschädigen oder Verletzungen von Personen verursachen können.
- Falls das Gerät ungewöhnlich zu vibrieren beginnt, schalten Sie den Motor aus und suchen Sie sofort nach der Ursache. Vibrationen weisen im Allgemeinen auf Probleme hin.
- Die Schere sollte zum Schneiden von Stängeln, die dünner als (33 mm) sind, benutzt werden
- Schneiden Sie nur bei Tageslicht oder unter gutem künstlichen Licht.
- Entfernen oder trennen Sie den Akku, bevor Sie die Heckenschere reparieren, reinigen oder Schnittgut aus der Heckenschere entfernen.
- Waschen Sie das Gerät nicht mit dem Wasserschlauch; lassen Sie kein Wasser in den Motor und die elektrischen Verbindungen gelangen.
- Für Reparaturen dürfen nur identische Ersatzteile, die in dieser Bedienungsanleitung aufgeführt sind, verwendet werden. Die Verwendung von Teilen, die nicht die originalen Gerätespezifikationen erfüllen, kann zu fehlerhafter Leistung und Beeinträchtigungen der Sicherheit führen.
- Folgen Sie den Anleitungen zum Ölen und Auswechseln des Zubehörs.
- Halten Sie die Griffe trocken, sauber und frei von Öl oder Fett.
- Heben Sie diese Anleitung auf. Schlagen Sie gegebenenfalls darin nach und verwenden Sie sie, um Andere in die Verwendung des Gerätes einzuweisen. Wenn Sie das Gerät an Andere verleihen, dann verleihen Sie auch diese Anleitung, um das falschen Handhabung und damit möglichen Verletzungen vorzubeugen.

HEBEN SIE DIESE ANLEITUNG AUF!

TECHNISCHE DATEN

DE

Modellnummer		HT5100E	HT6500E
Spannung		56 V $\overline{\text{---}}$	56 V $\overline{\text{---}}$
Leerlaufdrehzahl	Hoch	1600 /min	1600 /min
	Niedrig	1400 /min	1400 /min
Empfohlene Betriebstemperatur:	0°C-40°C		
Empfohlene Lagertemperatur:	-20°C-70°C		
Schnittlänge		51 cm	65 cm
Schnittleistung		33 mm	33 mm
Gewicht (ohne Akku)		3.6 kg	3,8 kg
Gemessener Schalleistungspegel L_{WA}		90 dB(A) K=1.55 dB(A)	91.45 dB(A) K=1.08 dB(A)
Schalldruckpegel am Ohr des Bedieners L_{PA} K=2,5 dB(A)		81.5 dB(A)	81.4 dB(A)
Garantierter Schalleistungspegel L_{WA} (nach 2000/14/EG gemessen)		92 dB(A)	93 dB(A)
Vibration a_h K=1,5 m/s ²	Vorderer Griff	3.369 m/s ²	5.313 m/s ²
	Hinterer Griff	1.876 m/s ²	3.115 m/s ²

- Der angegebene Schwingungs-Gesamtwert wurde in Übereinstimmung mit einer Standard-Testmethode gemessen und kann verwendet werden, um Werkzeuge miteinander zu vergleichen.
- Der angegebene Schwingungs-Gesamtwert kann auch als einleitende Feststellung der Belastung verwendet werden.

HINWEIS: Die Schwingungs-Emission während der tatsächlichen Arbeit mit dem Elektrowerkzeug kann vom angegebenen Wert abweichen. Um den Bediener zu schützen, sollte man unter den tatsächlichen Bedingungen Handschuhe und Gehörschutz tragen

PACKLISTE

TEILNAME	MENGE
Heckenschere	1
Schutz	1
Bedienungsanleitung	1

BESCHREIBUNG

AUFBAU (Abb. A)

1. Akku-Freigabeknopf
2. Hinterer Griff
3. Sicherheitsschalter
4. Hinterer Schalthebel
5. Geschwindigkeitsregler
6. Vorderer Griff
7. Vorderer Schalthebel
8. Handschutz
9. Messerschutz
10. Messer
11. Schutzkappe der Spitze
12. Riegel
13. Elektrische Kontakte
14. Einschuböffnung
15. Ausstoßmechanismus
16. Verriegelung für Bügel
17. Motorgehäuse
18. Schutz

⚠️ WARNUNG: Dieses Produkt wird komplett montiert geliefert. Beim Gebrauch darf der Handschutz nicht entfernt werden. Wenn er beschädigt ist, muss er von einem geschulten Servicetechniker sofort ausgetauscht werden.

⚠️ WARNUNG: Der sichere Umgang mit diesem Produkt erfordert sowohl das Verstehen der Informationen auf dem Werkzeug und in dieser Anleitung als auch Wissen über die Arbeitsaufgabe, das Sie vorhaben. Machen Sie sich vor der Nutzung des Produkts mit allen Bedienmerkmalen und Sicherheitsregeln vertraut.

BEDIENUNG

⚠️ WARNUNG: Vermeiden Sie es, dass die Vertrautheit mit dem Produkt zu Nachlässigkeit führt. Denken Sie daran, dass ein kurzer Moment der Unachtsamkeit zu ernsthaften Verletzungen führen kann.

⚠️ WARNUNG: Tragen Sie immer einen Augenschutz mit Seitenschutz und einen Gehörschutz. Wenn Sie das unterlassen, kann es dazu kommen, dass Objekte in Ihre Augen geschleudert werden oder dass Ihnen andere mögliche ernsthafte Verletzungen widerfahren.

⚠️ WARNUNG: Um einen unbeabsichtigten Geräteanlauf bei der Montage von Teilen, bei Einstellarbeiten, beim Reinigen oder bei Nichtgebrauch zu verhindern, muss der Akku vom Gerät abgenommen werden. Andernfalls besteht schwere Verletzungsgefahr.

⚠️ WARNUNG: Verwenden Sie keine Zusätze oder Zubehörteile, die nicht von EGO™ empfohlen worden sind. Die Verwendung von anderen und nicht empfohlenen Zusätzen oder Zubehörteilen kann zu schweren Verletzungen führen.

Untersuchen Sie vor jedem Gebrauch das gesamte Produkt und prüfen Sie, ob Teile beschädigt, gelockert sind oder fehlen, z. B. Schrauben, Muttern, Bolzen, Kappen usw. Ziehen Sie alle Befestigungen und Kappen gut fest und benutzen Sie dieses Produkt erst, wenn alle fehlenden oder beschädigten Teile ersetzt worden sind.

ANWENDUNG

Dieses Gerät eignet sich für das Schneiden von Hecken, Sträuchern und Büschen mit einem Zweigdurchmesser unter Ø33 mm.

HINWEIS: Das Werkzeug darf nur für den dafür vorgesehenen Zweck eingesetzt werden. Jeder andere Geräteinsatz gilt als Zweckentfremdung.

ANBRINGEN/ABNEHMEN DES AKKUS

Laden Sie den Akku vor dem ersten Gebrauch auf.

Anschließen (Abb. B)

Lassen Sie die Rippen am Akkugehäuse mit den Öffnungen am Gerät fluchten und schieben Sie den Akku bis zum hörbaren Einrasten in das Gerät.

Abnehmen (Abb. C)

Drücken Sie die Batterieentriegelung und ziehen Sie den Akku heraus.

⚠️ WARNUNG: Seien Sie sich stets bewusst, wo sich Ihre Füße, Kinder oder Haustiere befinden, wenn Sie den Akku-Freigabeknopf drücken. Das Fallenlassen des Akkusatzes kann zu ernsthaften Verletzungen führen. Entfernen Sie den Akku NIEMALS an einer hohen Position.

STARTEN/STOPPEN DER HECKENSCHERE

Nehmen Sie den Messerschutz vor Arbeitsbeginn ab und halten Sie die Heckenschere mit beiden Händen fest. Dabei ergreift eine Hand den hinteren und die andere den vorderen Griff. Sorgen Sie anschließend für einen festen, aufrechten Stand im Gleichgewicht und einen angemessenen Sicherheitsabstand beim Schneiden.

⚠️ WARNUNG: Lassen Sie immer beide Hände an den Griffen der Heckenschere. Halten Sie niemals Büsche mit einer Hand und bedienen Sie die Heckenschere mit der anderen. Die Missachtung dieser Warnung kann zu schweren Verletzungen führen.

Starten

Halten Sie den Sicherheitsschalter mit der Handfläche gedrückt. Bewegen Sie danach den hinteren Schalter nach oben. Halten Sie den hinteren Schalter waagrecht gedrückt und drücken Sie weiter den vorderen Schalter zum Starten des Geräts.

Anhalten

Lassen Sie einen der Schalthebel los, um das Gerät abzustellen.

HINWEIS: Zum Einschalten der Heckenschere müssen beide Schalthebel gedrückt werden.

BENUTZUNG DER HECKENSCHERE

⚠️ WARNUNG: Wenn die Klinge sich in ein elektrisches Kabel oder eine Leitung frisst, **BERÜHREN SIE NICHT DIE KLINGE! SIE KANN STROM FÜHREN UND SEHR GEFÄHRLICH SEIN!** Halten Sie die Heckenschere weiterhin am isolierten hinteren Griff oder legen Sie die Heckenschere auf sichere Weise und von Ihnen weg zeigend ab. Trennen Sie die Stromversorgung der beschädigten Leitung oder des Kabels, um die Klinge aus der Leitung oder dem Kabel zu entfernen. Die Missachtung dieser Warnung führt zu schweren Verletzungen oder möglicherweise zum Tod.

⚠️ WARNUNG: Um schwere Verletzungen zu vermeiden, halten Sie die Hände von den Klingen fern. Versuchen Sie nicht, Schnittgut zu entfernen oder das Schnittgut zu halten, wenn die Klingen in Bewegung sind. Stellen Sie sicher, dass die Klingen komplett stillstehen und der Akkusatz entfernt wurde, bevor Sie Schnittgut, das sich zwischen den Klingen verfangen hat, entfernen. Greifen Sie nicht die freiliegenden Klingen oder Schneiden, wenn Sie das Gerät aufnehmen oder halten.

⚠️ WARNUNG: Räumen Sie den Arbeitsbereich vor jedem Gebrauch auf. Entfernen Sie alle Objekte wie Kabel, Lichter, Draht oder Schnur, die sich in den Klingen verheddern und eine Gefahr von schweren Verletzungen darstellen können.

⚠️ WARNUNG: Schneiden Sie nicht zu viele oder zu starke Sträucher auf einmal ab. Die Messer könnten verkanten. Das Werkzeug würde dadurch abgebremst und könnte nicht mehr effizient arbeiten.

HINWEIS: Beim Schneiden neuer Pflanzen eignet sich eine weite Schwenkbewegung, um dem Schneidmesser die Stängel direkt zuzuführen. Bei älteren Pflanzen sollte eher eine Sägebewegung zum Beschneiden dickerer Stämme ausgeführt werden. Eine Handsäge oder Baumsäge ohne Motorantrieb kommt für das Schneiden starker Stämme als erstes in Frage.

Spitzen schneiden

Führen Sie eine weite Schwenkbewegung aus. Wenn Sie die Messer in der Bewegungsrichtung beim Schneiden leicht nach unten neigen, erzielen Sie den besten Schnitt. Einen gleichmäßigeren Schnitt erhalten Sie, wenn Sie die Heckenhöhe vorher mit einer Richtschnur kennzeichnen (Abb. D).

Seiten schneiden

Wenn Sie die Seiten der Hecke schneiden, beginnen Sie unten und schneiden Sie nach oben (Abb. E1 oder E2 zu sehen).

Radikaler Schnitt

Der hintere Bügel der Heckenschere kann auf fünf Positionen eingestellt werden: $0^\circ/\pm 45^\circ/\pm 90^\circ$. Dazu muss der Riegel herausgezogen werden (Abb. F1 bis F5). Wenn ein radikaler Schnitt notwendig ist, stellen Sie den hinteren Bügel auf $\pm 45^\circ$ (Abb. F2 & F4) Schneidwinkel ein.

⚠️ WARNUNG: Beim Verstellen des Bügels darf das Messer nicht in Betrieb sein.

HINWEIS: Beim Arbeiten sollte der Bügel immer nach oben zeigen, ganz gleich, in welche Richtung die Heckenschere gehalten wird.

Schutzkappe der Spitze

Die Schutzkappe (Abb. G) schützt das äußere Ende des Messers.

Messerschutz

Der äußere Messerteil ist wie der Messerschutz geformt (Abb. H).

H-1	Messer
H-2	Messerschutz

⚠️ WARNUNG: Prüfen Sie den Messerschutz immer auf Schäden oder Verzug. Bei Verzug oder Beschädigung auswechseln.

WARTUNG

⚠️ WARNUNG: Verwenden Sie für die Wartung nur identische Ersatzteile. Die Verwendung anderer Teile kann Unfälle und Schäden am Produkt hervorrufen. Um die Sicherheit und Zuverlässigkeit zu gewährleisten, sollten alle Reparaturen nur von qualifizierten Servicetechnikern durchgeführt werden.

⚠️ WARNUNG: Um schwere Verletzungen zu vermeiden, entfernen Sie immer den Akkusatz aus dem Produkt, wenn Sie das Gerät säubern oder Wartungsarbeiten vornehmen.

REINIGUNG

- Entfernen Sie mithilfe einer weichen Bürste Ablagerungen aus allen Lufteinlässen und der Klinge.
- Um Harz oder andere klebende Rückstände zu entfernen, sprühen Sie die Klingen mit einem Harzlöser ein. Lassen Sie den Motor kurz laufen, damit das Lösungsmittel gleichmäßig verteilt wird.
- Wischen Sie die Oberfläche mit einem trockenen Tuch ab.

⚠️ WARNUNG: Verwenden Sie niemals Wasser, um Ihre Heckenschere zu reinigen. Verwenden Sie keine Lösungsmittel zum Reinigen der Kunststoffteile. Die meisten Kunststoffe können durch verschiedene Arten von handelsüblichen Lösungsmitteln beschädigt werden. Nehmen Sie einen sauberen Lappen, um Schmutz, Staub, Öl, Fett usw. zu entfernen.

SCHÄRFEN DES MESSERS

1. Entnehmen Sie den Akkusatz aus der Heckenschere.
2. Klemmen Sie die Klingeneinheit in einem Schraubstock fest und feilen Sie die freiliegende Oberfläche jedes Klingenzahns. Entfernen Sie so wenig Material wie möglich. Achten Sie darauf, den ursprünglichen Winkel jedes Zahns zu bewahren, wenn Sie feilen.
3. Nehmen Sie die Heckenschere aus dem Schraubstock und stellen Sie das ungeschärfte Messer so ein, dass es freiliegt. Wiederholen Sie diese Arbeitsschritte, bis alle Messer des Klingenblatts nachgeschliffen sind.

HINWEIS: Benutzen Sie Ihre Heckenschere nicht mit stumpfen oder beschädigten Klingen. Dies kann zu einer Überlastung und mangelhaften Schnittergebnissen führen.

ÖLEN DER KLINGE

Für den besten Betrieb und eine längere Messernutzungsdauer ölen Sie die Heckenscheren Klinge vor und nach jeder Benutzung mit leichtem Maschinenöl.

Nehmen Sie den Akku ab und legen Sie die Heckenschere auf eine flache Unterlage ab. Tragen Sie das Öl auf die Oberkante des Klingensblatts auf.

HINWEIS: Damit das Werkzeug noch länger einsatzbereit ist, ölen Sie das Klingensblatt auch während des Arbeitseinsatzes.

⚠️ WARNUNG: Nicht ölen, während die Heckenschere eingeschaltet ist.

EINÖLEN DES GETRIEBEKASTENS

Für optimales funktionieren und eine längere lebensdauer sollten sie den getriebekasten der heckenschere nach jeweils 25 betriebsstunden mit einem speziellen öl schmieren (jedes mal 5-6 g in #1 und 10-12 g in #2).

ANMERKUNG: Bitte wenden sie sich an ihren lokalen ego-vertragshändler, um hilfe zu erhalten.

Dieses Öl sollte folgende Anforderungen erfüllen:

1. Fällt unter DIN51818: Walkpenetration NLGI-2.
2. Besteht aus Polyharnstoff-Verdickern und synthetischem Schmieröl
3. Hervorragende Kaltstart- und EP-Eigenschaften, mechanische Abscherung, Abriebfestigkeit und Oxidationsstabilität.
4. Die Betriebstemperatur muss zwischen -40 und 180°C liegen.

TRANSPORT UND LAGERUNG

- Setzen Sie stets den Klingenschutz auf die Klinge, bevor Sie die Heckenschere lagern oder transportieren. Nehmen Sie sich vor den scharfen Zähnen der Klinge in acht.
- Reinigen Sie die Heckenschere gründlich, bevor Sie sie lagern.
- Lagern Sie die Heckenschere im Haus an einem trockenen Ort, der nicht für Kinder erreichbar ist.
- Halten Sie sie von zersetzenden Mitteln wie Gartenchemikalien oder Tausalzen fern.

⚠️ WARNUNG: Die Klängen sind scharf. Wenn Sie die Klingeneinheit handhaben, tragen Sie rutschfeste, robuste Schutzhandschuhe. Legen Sie nicht Ihre Hand oder Finger zwischen die Klängen oder an eine Stelle, an der sie eingeklemmt oder geschnitten werden können. Berühren oder warten Sie die Klängen NIEMALS, wenn der Akkusatz eingelegt ist.

Schützen Sie die Umwelt



Entsorgen Sie elektronische Geräte, Ladegeräte und Batterien/Akkus nicht im Hausmüll!

Gemäß der europäischen Rechtsnorm 2012/19/EG müssen elektrische und elektronische Geräte, die nicht mehr benutzt werden, separat gesammelt werden. Dasselbe trifft gemäß der europäischen Rechtsnorm 2006/66/EG auch auf defekte oder verbrauchte Batterien/Akkus zu.

Wenn elektrische Geräte auf Deponien oder Schutthalde entsorgt werden, dann können gefährliche Substanzen ins Grundwasser sickern und in die Nahrungskette übergehen, was Ihre Gesundheit und Ihr Wohlbefinden beeinträchtigen kann.

STÖRUNGSBESEITIGUNG

DE

PROBLEM	URSACHE	LÖSUNG
Heckenschere funktioniert nicht	<ul style="list-style-type: none"> Der Akkusatz ist nicht in die Heckenschere eingesetzt. 	<ul style="list-style-type: none"> Legen Sie den Akkusatz in die Heckenschere ein.
	<ul style="list-style-type: none"> Kein elektrischer Kontakt zwischen Heckenschere und Akku. 	<ul style="list-style-type: none"> Entnehmen Sie den Akku, überprüfen Sie die Kontakte und setzen Sie ihn wieder ein.
	<ul style="list-style-type: none"> Der Akku ist leer. 	<ul style="list-style-type: none"> Laden Sie den Akkusatz auf.
	<ul style="list-style-type: none"> Der Akku ist zu heiß. 	<ul style="list-style-type: none"> Entnehmen Sie den Akkusatz aus dem Werkzeug und lassen Sie ihn abkühlen, bis die Temperatur unter 67° C gesunken ist.
	<ul style="list-style-type: none"> Die Heckenschere ist zu heiß. 	<ul style="list-style-type: none"> Lassen Sie beide Hebel los; lassen Sie die Heckenschere abkühlen, bis ihre Temperatur unter 77° C gesunken ist.
	<ul style="list-style-type: none"> Die zwei Schalthebel werden nicht gleichzeitig gedrückt. 	<ul style="list-style-type: none"> Drücken Sie die Schalthebel am vorderen und hinteren Griff gleichzeitig.
	<ul style="list-style-type: none"> Die Klinge ist blockiert. 	<ul style="list-style-type: none"> Nehmen Sie den Akkusatz aus dem Werkzeug, entfernen Sie das Hindernis vorsichtig, legen Sie dann den Akku wieder ein und starten Sie das Werkzeug erneut.
Übermäßig starke Vibrationen oder lautes Geräusch	<ul style="list-style-type: none"> Trockene oder verrostete Klingen. 	<ul style="list-style-type: none"> Die Messer einölen. Dazu die Schritte unter „EINÖLEN DES MESSERS“ in dieser Bedienungsanleitung befolgen.
	<ul style="list-style-type: none"> Klingen oder Klingenthalterung sind verbogen. 	<ul style="list-style-type: none"> Neue Messer oder Halterung montieren. Wenden Sie sich an ein EGO Servicecenter, um das Klingensblatt oder die Halterung auszuwechseln zu lassen.
	<ul style="list-style-type: none"> Verbogene oder beschädigte Zähne. 	<ul style="list-style-type: none"> Neue Messer montieren. Wenden Sie sich an ein EGO Servicecenter, um das Klingensblatt auszuwechseln zu lassen.
	<ul style="list-style-type: none"> Gelockerte Schrauben an der Klinge. 	<ul style="list-style-type: none"> Ziehen Sie die Schrauben der Klinge an. Ziehen Sie die Schraube im Uhrzeigersinn mit einem Schraubenschlüssel an.

GARANTIE

EGO GEWÄHRLEISTUNGSRICHTLINIE

Bitte besuchen Sie unsere website egopowerplus.com mit den kompletten EGO Garantiebedingungen.

LISEZ TOUTES LES INSTRUCTIONS !



LISEZ ET COMPRENEZ LES INSTRUCTIONS DU MANUEL D'UTILISATION

⚠ Risques résiduels! Les personnes portant des appareils électroniques, par exemple des stimulateurs cardiaques, doivent consulter leur(s) médecin(s) avant d'utiliser ce produit. L'utilisation d'un équipement électrique près d'un stimulateur cardiaque peut provoquer des interférences ou la panne du stimulateur cardiaque.

⚠ AVERTISSEMENT: Pour garantir la sécurité et la fiabilité, toutes les réparations et tous les changements de pièce doivent être effectués par un réparateur qualifié.

SYMBOLES DE SÉCURITÉ

L'objectif des symboles de sécurité est d'attirer votre attention sur des dangers potentiels. Les symboles de sécurité et les explications les accompagnant doivent être lus avec attention et compris. Les symboles de mise en garde ne permettent pas par eux-mêmes d'éliminer les dangers.

Les consignes et mises en garde ne se substituent pas à des mesures de prévention appropriées des accidents.

⚠ AVERTISSEMENT: Lisez et comprenez impérativement toutes les consignes de sécurité de ce manuel d'utilisation, y compris les symboles de mise en garde de sécurité tels que « **DANGER** », « **AVERTISSEMENT** » et « **ATTENTION** » avant d'utiliser cet outil. Ne pas respecter toutes les consignes listées ci-après peut provoquer un choc électrique, un incendie et/ou des blessures corporelles graves.

SIGNIFICATION DES SYMBOLES

SYMBOLE DE MISE EN GARDE DE SÉCURITÉ:

Indique un **DANGER**, un **AVERTISSEMENT** ou une **PRÉCAUTION**. Peut être utilisé en conjonction d'autres symboles ou pictogrammes.

⚠ AVERTISSEMENT: L'utilisation d'un outil électrique peut provoquer la projection d'objets étrangers dans vos yeux, ce qui peut provoquer des lésions oculaires graves. Avant de mettre un outil électrique en marche, portez toujours un masque de sécurité ou des lunettes de sécurité avec boucliers latéraux, ou un masque facial intégral quand cela est nécessaire. Nous vous recommandons de porter un Masque de Sécurité à Vision Panoramique par-dessus des lunettes de vue ou des lunettes de sécurité standards avec boucliers latéraux.

CONSIGNES DE SÉCURITÉ

Cette page décrit des symboles de sécurité pouvant être présents sur le produit. Lisez, comprenez et respectez toutes les instructions présentes sur l'outil avant d'essayer de l'assembler et de l'utiliser.

	Alerte de sécurité	Indique un danger potentiel de blessure corporelle.
	Lire le manuel d'utilisation.	Afin de réduire les risques de blessures, l'utilisateur doit lire le manuel d'utilisation.
	Ne pas exposer à la pluie.	AVERTISSEMENT: Ne pas utiliser sous la pluie et ne pas laisser dehors quand il pleut.
	Longueur de la lame	Longueur de la lame
	Capacité de coupe	Capacité de coupe maximale de la lame
V	Volt	Tension
A	Ampères	Courant
Hz	Hertz	Fréquence (cycles par seconde)
W	Watt	Puissance
min	Minutes	Durée
	Courant alternatif	Type de courant
	Courant continu	Type ou caractéristique du courant
n_0	Régime à vide	Vitesse de rotation sans charge
... /min	Par minute	Tours par minute
SPM	Courses par minute	Nombre de courses à vide

CONSIGNES DE SÉCURITÉ GÉNÉRALES POUR LES OUTILS ÉLECTRIQUES

⚠ AVERTISSEMENT: Lisez toutes les mises en garde, consignes de sécurité et instructions. Ne pas respecter les consignes de sécurité et les instructions peut provoquer un choc électrique, un incendie et/ou des blessures graves.

Conservez tous les consignes de sécurité et toutes les instructions pour consultation ultérieure.

Le terme « outil électrique » utilisé dans les consignes de sécurité désigne votre outil électrique fonctionnant sur le secteur (filaire) ou sur batterie (sans fil).

FR

SÉCURITÉ DE L'AIRE DE TRAVAIL

- **Maintenez l'aire de travail propre et bien rangée.**
Les aires de travail en désordre ou mal éclairées augmentent les risques d'accident.
- **N'utilisez pas les outils électriques dans une atmosphère explosive, par exemple en présence de liquides, gaz ou poussières inflammables.** Les outils électriques génèrent des étincelles pouvant enflammer poussières et vapeurs.
- **Veillez à ce que les enfants et les autres personnes restent éloignés quand vous utilisez un outil électrique.** Un moment d'inattention peut vous faire perdre le contrôle de l'outil.

SÉCURITÉ ÉLECTRIQUE

- **La fiche de l'outil électrique doit correspondre à la prise électrique. Ne modifiez jamais la fiche de quelque manière que ce soit. N'utilisez jamais d'adaptateur de prise avec les outils électriques pourvus d'une mise à la terre ou à la masse.**
Les fiches non modifiées et les prises électriques appropriées réduisent le risque de choc électrique.
- **Évitez tout contact physique avec des surfaces mises à la terre ou mises à la masse, telles que tuyaux, radiateurs, fours et réfrigérateurs.** Il y a un risque accru de choc électrique si votre corps est relié à la terre ou à la masse, directement ou indirectement.
- **N'exposez pas les outils électriques à la pluie ou à un environnement mouillé.** Si de l'eau pénètre dans un outil électrique, cela accroît le risque de choc électrique.
- **Ne maltraitez pas le cordon d'alimentation. Ne l'utilisez jamais pour porter, tirer ou débrancher l'outil électrique. Veillez à ce qu'il n'entre jamais en contact avec de l'huile, des pièces mobiles, des arêtes tranchantes, et ne soit jamais exposé à de la chaleur.** Les cordons d'alimentation endommagés ou emmêlés augmentent le risque de choc électrique.
- **Quand vous utilisez un outil électrique en extérieur, utilisez une rallonge électrique adaptée à un usage en extérieur.** L'utilisation d'une rallonge conçue pour un usage en extérieur permet de réduire le risque de choc électrique.

- **Si vous êtes obligé d'utiliser un outil électrique dans un endroit humide, utilisez une alimentation protégée par un dispositif différentiel à courant résiduel (DDR).** L'utilisation d'un DDR réduit le risque de choc électrique.

SÉCURITÉ DES PERSONNES

- **Restez vigilant, soyez attentif à ce que vous faites et faites preuve de bon sens lors de l'utilisation d'un outil électrique. N'utilisez pas un outil électrique quand vous êtes fatigué, sous l'emprise de l'alcool, de stupéfiants ou de médicaments.** Un moment d'inattention pendant l'utilisation d'un outil électrique peut provoquer des blessures corporelles graves.
- **Utilisez des équipements de protection individuelle. Portez toujours une protection oculaire.** L'utilisation d'équipements de protection appropriés aux conditions de travail, tels que masque antipoussières, chaussures de sécurité antidérapantes, casque et protections auditives, permet de réduire les risques de blessures corporelles.
- **Évitez les démarrages accidentels. Vérifiez que l'interrupteur marche/arrêt est dans la position arrêt avant de brancher l'outil dans une prise électrique et/ou une batterie, de le saisir ou de le transporter.** Transporter un outil électrique les doigts sur son interrupteur marche/arrêt ou le brancher dans une alimentation électrique alors que son interrupteur marche/arrêt est dans la position marche favorise les accidents.
- **Retirez les clés de réglage et de serrage avant de mettre l'outil en marche.** Une clé de réglage ou de serrage laissée sur une pièce rotative de l'outil électrique peut provoquer des blessures corporelles.
- **N'essayez pas d'atteindre des endroits difficiles à atteindre. Ayez toujours des appuis des pieds stables et conservez constamment un bon équilibre.** Cela vous garantit un meilleur contrôle de l'outil électrique en cas de situations inattendues.
- **Portez une tenue appropriée. Ne portez pas de vêtement ample ni de bijou. Maintenez vos cheveux, vêtements et gants éloignés des pièces mobiles.** Les vêtements amples, les bijoux et les cheveux longs peuvent se prendre dans les pièces mobiles.
- **Si un outil est conçu pour être utilisé avec des dispositifs d'extraction et de récupération des poussières, veillez à ce que ces dispositifs soient raccordés et correctement utilisés.** L'utilisation de dispositifs de récupération des poussières permet de réduire les dangers liés aux poussières.

UTILISATION ET ENTRETIEN DES OUTILS ÉLECTRIQUES

- **Ne forcez pas l'outil électrique. Utilisez l'outil électrique adapté au travail à effectuer.** L'utilisation d'un outil approprié au travail à effectuer permet d'effectuer ce travail plus efficacement, avec une sécurité accrue et au rythme pour lequel l'outil a été conçu.
- **N'utilisez pas un outil électrique si son interrupteur marche/arrêt ne permet plus de l'allumer ou de l'éteindre.** Tout outil électrique qui ne peut pas être contrôlé par son interrupteur marche/arrêt est dangereux et doit être réparé.
- **Débranchez la fiche électrique de la prise secteur et/ou retirez la batterie de l'outil électrique avant de procéder à des réglages, de changer des accessoires ou de ranger l'outil électrique.** Cette mesure de sécurité préventive réduit le risque de démarrage accidentel de l'outil électrique.
- **Rangez les outils électriques non utilisés hors de portée des enfants. Ne laissez aucune personne non familiarisée avec l'outil électrique ou ce manuel d'utilisation l'utiliser.** Les outils électriques sont dangereux dans les mains de personnes inexpérimentées.
- **Entretenez les outils électriques. Inspectez-les pour vérifier qu'aucune pièce mobile n'est grippée ou mal alignée, qu'aucune pièce n'est cassée, et pour tout autre problème qui pourrait affecter leur fonctionnement. Si un outil électrique est endommagé, il doit être réparé avant d'être utilisé.** Beaucoup d'accidents sont dus à des outils électriques mal entretenus.
- **Veillez à ce que les accessoires de coupe restent affûtés et propres.** Des accessoires de coupes bien entretenus et bien affûtés risquent moins de se coincer et facilitent le contrôle de l'outil.
- **Utilisez l'outil électrique, ses accessoires, mèches/embouts et toutes les autres pièces conformément aux présentes instructions, en prenant en compte les conditions d'utilisation et le travail à effectuer.** Utiliser l'outil électrique à d'autres finalités que celles pour lesquelles il a été conçu peut engendrer des situations dangereuses.

UTILISATION ET ENTRETIEN DES OUTILS ALIMENTÉS PAR BATTERIE

- **Utilisez les outils électriques exclusivement avec les batteries spécifiées.** L'utilisation de toute autre batterie peut créer un risque de blessures et d'incendie.
- **Quand la batterie n'est pas utilisée, elle doit être rangée loin de tout objet métallique, tel que trombone, pièce de monnaie, clé, clou, vis et tout autre petit objet métallique qui risquerait de mettre en contact ses bornes.** Court-circuiter les bornes de la batterie peut provoquer des brûlures et un incendie.
- **Si la batterie est soumise à des conditions d'utilisation excessives, du liquide peut s'en échapper. Évitez tout contact avec ce liquide. En cas de contact accidentel, rincez à grande eau. En cas de contact avec les yeux, vous devez en outre consulter un médecin.** Le liquide qui s'échappe de la batterie peut provoquer des irritations et des brûlures.

RÉPARATION

- **Faites réparer votre outil électrique par un réparateur qualifié qui ne doit utiliser que des pièces de rechange identiques.** Cela permet de préserver la sécurité d'utilisation de l'outil.

CONSIGNES DE SÉCURITÉ POUR LES TAILLE-HAIES

- **Veillez à maintenir toutes les parties de votre corps éloignées des lames. N'essayez pas de retirer du matériau coupé ni de tenir le matériau à couper quand les lames sont en mouvement. Vérifiez que l'interrupteur marche/arrêt de l'outil est sur la position arrêt avant d'enlever des matériaux coincés.** Un moment d'inattention pendant l'utilisation du taille-haie peut suffire pour provoquer de graves blessures corporelles.
- **Portez le taille-haie par sa poignée quand ses lames sont à l'arrêt.** Remettez toujours le fourreau sur les lames avant de ranger ou de transporter le taille-haie. Manipuler correctement le taille-haie permet de réduire les risques de blessures corporelles dus aux lames.
- **Tenez l'outil électrique exclusivement par ses surfaces de préhension isolantes, car les lames peuvent entrer en contact avec des câbles électriques non visibles.** Si les lames entrent en contact avec un câble électrique sous tension, les parties métalliques non carénées de l'outil électrique peuvent se retrouver sous tension et l'opérateur risque de subir un choc électrique.
- **Veillez à ce que le cordon d'alimentation reste éloigné de la zone de coupe.** Pendant l'utilisation, le cordon d'alimentation peut être caché par des branchages et être accidentellement sectionné par la lame de l'outil.

- Avant d'utiliser l'outil, inspectez la haie pour détecter les objets étrangers, par exemple des clôtures en fils métalliques.
- Utilisez toujours le taille-haie avec le protège-main correctement assemblé. L'utilisation du taille-haie sans le protège-main approprié peut provoquer des blessures corporelles graves !
- **Tenez le taille-haie à deux mains pendant son utilisation. Tenir l'outil d'une seule main peut provoquer la perte de contrôle de l'outil et des blessures corporelles graves.**

⚠ AVERTISSEMENT: Avant d'utiliser l'outil, inspectez la haie pour détecter les objets étrangers, par exemple des clôtures en fils métalliques. Utilisez toujours le taille-haie avec le protège-main correctement assemblé. L'utilisation du taille-haie sans le protège-main approprié peut provoquer des blessures corporelles graves !

CONSIGNES DE SÉCURITÉ IMPORTANTES

- N'utilisez pas le taille-haie alimenté par batterie sous la pluie.
- Ne rechargez pas la batterie sous la pluie ni dans les endroits mouillés.
- Utilisez exclusivement les batteries et les chargeurs listés à la fig. A.
- Ne saisissez pas les lames et les bords de coupe non protégés lorsque vous saisissez ou tenez l'outil.
- N'utilisez pas l'outil sur une échelle, un toit, un arbre, ni aucun autre support instable. Des appuis stables sur une surface solide permettent d'avoir un meilleur contrôle du taille-haie en cas de situations inattendues.
- Ne laissez jamais les enfants utiliser l'outil.
- Ne retirez jamais et ne modifiez jamais les dispositifs de sécurité. Contrôlez régulièrement leur bon fonctionnement. Ne faites jamais rien qui pourrait interférer avec la fonction prévue d'un dispositif de sécurité ou qui pourrait réduire la protection fournie par un dispositif de sécurité.
- N'utilisez jamais le taille-haie sans les boucliers, écrans et capots de protection, ni les autres dispositifs de protection de sécurité tous assemblés.
- Inspectez les pièces endommagées avant de continuer d'utiliser le taille-haie. Tout dispositif de protection ou toute autre pièce endommagée doit être minutieusement inspecté pour déterminer s'il fonctionnera normalement et pourra remplir la fonction pour laquelle il est prévu. Contrôlez l'outil pour vérifier qu'aucune pièce mobile n'est coincée ou mal alignée, qu'aucune pièce n'est cassée, et pour tout autre problème qui pourrait nuire à son fonctionnement. Si une protection ou une autre pièce est endommagée, elle doit être correctement réparée par un centre de réparation agréé, sauf indication contraire de ce manuel d'utilisation.
- Inspectez fréquemment les boulons de fixation du moteur et de la lame pour vérifier qu'ils sont correctement serrés. Inspectez également visuellement la lame pour vérifier qu'elle n'est pas endommagée (par exemple tordue, ébréchée ou usée). Remplacez la lame exclusivement par une lame EGO™.
- Remplacez la lame si elle est tordue ou ébréchée. Une lame déséquilibrée génèrera des vibrations pouvant endommager l'unité motrice et provoquer des blessures corporelles.
- Si l'outil commence à vibrer anormalement, éteignez son moteur et inspectez immédiatement l'outil pour en trouver la cause. Les vibrations indiquent généralement qu'il y a un problème.
- L'outil peut être utilisé pour couper des branches d'une épaisseur inférieure à 33mm.
- Coupez exclusivement à la lumière du jour ou sous une lumière artificielle suffisante.
- Retirez ou débranchez la batterie avant d'entretenir ou de nettoyer le taille-haie et avant de retirer du matériau du taille-haie.
- Ne lavez pas l'outil avec un tuyau. Veillez à ce que de l'eau ne pénètre pas dans le moteur ni sur les connexions électriques.
- Les réparations ne doivent être effectuées qu'avec les pièces de rechange identiques listées dans ce manuel d'utilisation. L'utilisation de pièces non conformes aux spécifications d'origine de l'outil peut provoquer un fonctionnement inapproprié et compromettre la sécurité.
- Respectez les instructions concernant la lubrification et le remplacement des accessoires.
- Veillez à ce que les poignées restent propres, sèches et exemptes d'huile et de graisse.
- Conservez ce manuel d'utilisation. Consultez-le fréquemment et servez-vous-en pour instruire les autres personnes devant utiliser cet outil. Si vous prêtez cet outil à un tiers, prêtez-lui également ce manuel d'utilisation pour éviter l'utilisation incorrecte du produit et des blessures potentielles.

CONSERVEZ CE MANUEL D'UTILISATION!

SPÉCIFICATIONS

Numéro de modèle		HT5100E	HT6500E
Tension		56 V ---	56 V ---
Régime à vide	Haut	1600 /min	1600 /min
	Bas	1400 /min	1400 /min
Température d'utilisation recommandée :	0 °C~40 °C		
Température de stockage recommandée :	-20 °C~70 °C		
Longueur de coupe	51 cm	65 cm	
Capacité de coupe	33 mm	33 mm	
Poids (sans la batterie, sans fourreau de lame)	3,6 kg	3,8 kg	
Niveau de puissance acoustique mesuré L_{WA}	90 dB(A) K=1,55 dB(A)	91,45 dB(A) K=1,08 dB(A)	
Niveau de pression acoustique à la position de l'opérateur L_{PA}	81,5 dB(A) K=2,5 dB(A)	81,4 dB(A)	
Niveau de puissance acoustique garanti L_{WA} (conformément à la norme 2000/14/CE)	92 dB(A)	93 dB(A)	
Vibration a_h K=1,5 m/s ²	Poignée avant	3,369 m/s ²	5,313 m/s ²
	Poignée arrière	1,876 m/s ²	3,115 m/s ²

- La valeur totale des vibrations indiquée a été mesurée selon une procédure conforme à une méthode de test standardisée et peut servir pour comparer différents outils.
- La valeur totale des vibrations indiquée peut également servir pour effectuer une première évaluation de l'exposition.

REMARQUE: L'émission de vibrations pendant l'utilisation réelle de l'outil électrique est fonction de la manière dont il est utilisé et peut différer de la valeur indiquée. Pour se protéger, l'opérateur doit porter des gants et un casque antibruit dans les conditions actuelles d'utilisation.

CONTENU DE L'EMBALLAGE

NOM DE PIÈCE	QUANTITÉ
Taille-haie	1
Bouclier	1
Manuel d'utilisation	1

FR

DESCRIPTION

DESCRIPTION DE VOTRE TAILLE-HAIE (Image A)

1. Bouton de déblocage de la batterie
2. Poignée arrière
3. Verrou d'interrupteur
4. Interrupteur marche/arrêt arrière
5. Bouton de réglage de la vitesse
6. Poignée avant
7. Interrupteur marche/arrêt avant
8. Protège-main
9. Protections de lame
10. Lame
11. Protection de bout de lame
12. Loquet
13. Contacts électriques
14. Rainure d'assemblage
15. Mécanisme d'éjection
16. Verrou de poignée
17. Boîtier du moteur
18. Bouclier

⚠ AVERTISSEMENT: Ce produit a été expédié intégralement assemblé. Le protège-main ne doit jamais être retiré pendant l'utilisation. S'il est endommagé, faites-le remplacer immédiatement par un réparateur qualifié.

⚠ AVERTISSEMENT: L'utilisation sécurisée de ce produit nécessite de comprendre les informations présentes sur l'outil et dans ce manuel d'utilisation, ainsi que de connaître le travail que vous voulez effectuer. Avant d'utiliser ce produit, familiarisez-vous avec toutes ses fonctions et toutes les consignes de sécurité.

UTILISATION

⚠ AVERTISSEMENT: Veillez à ne pas devenir moins prudent au fur et à mesure que vous vous familiarisez avec cet outil. Gardez à l'esprit qu'une seconde d'inattention peut suffire pour provoquer des blessures graves.

⚠ AVERTISSEMENT: Portez toujours une protection oculaire avec boucliers latéraux et une protection auditive. Sans ce type de protection, des objets peuvent être projetés dans vos yeux et d'autres blessures graves peuvent se produire.

⚠ AVERTISSEMENT: Pour éviter un démarrage accidentel pouvant provoquer des blessures corporelles graves, retirez toujours la batterie de l'outil avant toute opération d'assemblage de pièce, de réglage ou de nettoyage et quand l'outil n'est pas utilisé.

⚠ AVERTISSEMENT: N'utilisez pas d'accessoire non recommandé par EGO™. L'utilisation d'accessoires ou de pièces non recommandés peut provoquer de graves blessures corporelles.

Avant chaque utilisation, inspectez entièrement l'outil pour vérifier qu'aucune pièce n'est endommagée, manquante ou desserrée, par exemple les vis, écrous, boulons, capuchons, etc. Resserrez fermement toutes les fixations et fixez solidement tous les capuchons. N'utilisez pas ce produit tant que toutes les pièces manquantes ou endommagées n'ont pas été remplacées.

APPLICATION

Vous pouvez utiliser cet outil pour tailler les haies, les arbustes et les buissons dont les branches ont un diamètre inférieur à 33 mm.

REMARQUE: L'outil ne doit être utilisé qu'à la finalité spécifiée pour lui. Tout autre usage est considéré impropre.

INSTALLER/RETIRER LA BATTERIE

Rechargez la batterie avant la première utilisation.

Insertion (Image B)

Alignez les arêtes de la batterie avec les rainures d'assemblage et appuyez la batterie vers le bas jusqu'à entendre un déclic.

Retrait (Image C)

Appuyez sur le bouton de déblocage de la batterie et tirez la batterie hors de l'outil.

⚠ AVERTISSEMENT: Soyez toujours conscient de la position de vos pieds, des enfants et des animaux lorsque vous appuyez sur le bouton de déblocage de la batterie. Si la batterie tombe, cela peut provoquer des blessures graves. Ne retirez JAMAIS la batterie dans une position haute.

DÉMARRER ET ÉTEINDRE LE TAILLE-HAIE

Avant d'utiliser le taille-haie, retirez le fourreau de lame et saisissez le taille-haie à deux mains, une main sur la poignée arrière et l'autre main sur la poignée avant. Puis vérifiez que vous avez des appuis des pieds stables et équilibrés, que vous vous tenez droit et à une distance de coupe appropriée.

⚠ AVERTISSEMENT: Tenez toujours les poignées du taille-haie à deux mains. Ne tenez jamais les arbustes d'une main tout en manœuvrant le taille-haie de l'autre main. Ne pas respecter cette mise en garde peut provoquer des blessures graves.

Allumer l'outil

Appuyez sur le verrou d'interrupteur avec la paume, puis appuyez l'interrupteur marche/arrêt arrière vers le haut. Quand l'interrupteur marche/arrêt arrière est appuyé, appuyez sur l'interrupteur marche/arrêt avant pour démarrer l'outil.

Arrêter l'outil

Relâchez l'un des interrupteurs marche/arrêt pour arrêter l'outil.

REMARQUE: Les deux interrupteurs marche/arrêt doivent être appuyés pour que le taille-haie démarre.

UTILISER LE TAILLE-HAIE

⚠ AVERTISSEMENT: Si la lame se coince sur un câble électrique, NE TOUCHEZ PAS LA LAME ! ELLE PEUT ÊTRE SOUS TENSION ÉLECTRIQUE ET ÊTRE TRÈS DANGEREUSE. Continuez de tenir le taille-haie par sa poignée arrière isolante ou posez-le loin de vous d'une manière non dangereuse. Débranchez le câble électrique endommagé de l'alimentation électrique avant d'essayer de décroincer la lame du câble électrique. Ne pas respecter cette mise en garde peut provoquer des blessures graves ou mortelles.

⚠ AVERTISSEMENT: Pour éviter des blessures corporelles graves, maintenez vos mains éloignées des lames. N'essayez pas de retirer du matériau coupé ni de tenir le matériau à couper quand les lames se sont en mouvement. Assurez-vous que les lames se sont complètement arrêtées et que la batterie a été retirée avant d'enlever des matériaux coincés dans les lames. Ne saisissez pas les lames et les bords de coupe non protégés lorsque vous saisissez ou tenez l'outil.

⚠ AVERTISSEMENT: Nettoyez la zone à couper avant chaque utilisation. Retirez tous les objets pouvant s'emmêler dans les lames (par exemple les cordes et cordelettes, les lampes, les fils métalliques) et engendrer un risque de blessures corporelles graves.

⚠ AVERTISSEMENT: Ne taillez pas trop de végétaux en même temps ou des végétaux très denses. Cela peut tordre et ralentir les lames, et réduire l'efficacité de coupe.

REMARQUE: Lors de la taille de jeunes pousses, un grand mouvement de balayage permet de couper directement les tiges avec la lame. Pour couper les végétaux plus anciens, un mouvement de sciage permet de couper les tiges plus épaisses. Il est conseillé de d'abord couper les grosses branches avec une scie manuelle ou une scie à élaguer non électrique.

Coupe supérieure

Utilisez un grand mouvement de balayage. Pour obtenir un résultat optimal, inclinez légèrement les lames vers le bas dans le sens du mouvement. Pour un meilleur résultat de coupe, vous pouvez aussi utiliser une corde pour servir de guide et indiquer la hauteur de la haie, comme montré sur l'image D.

Coupe latérale

Lors de la coupe des côtés d'une haie, commencez par le bas et coupez vers le haut (Image E1 ou E2).

Coupe radiale

La poignée arrière du taille-haie peut être réglée dans cinq positions ($0^\circ \pm 45^\circ / \pm 90^\circ$) en tirant le verrou vers l'extérieur (Images F1 à F5). Si une coupe radiale est requise, réglez la poignée arrière à $\pm 45^\circ$ (Images F2 et F4) pour effectuer la coupe.

⚠ AVERTISSEMENT: Pendant le réglage de la poignée, la lame ne doit pas être en mouvement.

REMARQUE: Pendant le travail, la poignée doit toujours être dirigée vers le haut quelle que soit l'orientation du taille-haie.

Protection de bout de lame

La protection de bout de lame (Image G) sert à protéger l'extrémité externe de la lame.

Protections de lame

La partie externe des dents a la forme des protections de lame (Image H).

H-1	Lame
H-2	Protection de lame

⚠ AVERTISSEMENT: Vérifiez toujours que les protections de lame ne sont pas endommagées ni tordues. Changez-les si elles sont tordues ou.

ENTRETIEN

⚠ AVERTISSEMENT: L'outil ne doit être réparé qu'avec des pièces de rechange identique. L'utilisation de toute autre pièce peut créer un danger ou détériorer le produit. Pour garantir la sécurité et la fiabilité, toutes les réparations doivent être effectuées par un réparateur qualifié.

⚠ AVERTISSEMENT: Afin de vous prémunir contre des blessures corporelles graves, retirez toujours la batterie de l'outil avant de le nettoyer ou de l'entretenir.

NETTOYAGE

- Utilisez une brosse souple pour enlever les débris de toutes les ouïes de ventilation et de la lame.
- Pour enlever la sève et les autres résidus collants, pulvérisez un solvant de résine sur les lames. Allumez brièvement le moteur pour répartir uniformément le solvant.
- Essuyez la surface avec un chiffon sec.

⚠ AVERTISSEMENT: N'utilisez jamais d'eau pour nettoyer votre outil. N'utilisez pas de solvant pour nettoyer les pièces en plastique. La plupart des plastiques peuvent être détériorés par de nombreux types de solvants vendus dans le commerce. Utilisez des chiffons propres pour enlever les saletés, les poussières, l'huile, la graisse, etc.

AFFÛTER LA LAME

1. Retirez la batterie de votre taille-haie.
2. Fixez les lames dans un étau et limez les surfaces de coupe exposées sur chaque dent. Enlevez aussi peu de matière que possible.

3. Enlevez le taille-haie de l'état et réglez-le en sorte d'exposer les dents de lame non affûtées. Répétez la procédure susmentionnée jusqu'à ce que toutes les dents de lame aient été affûtées.

REMARQUE: N'utilisez pas votre taille-haie avec des lames endommagées ou émoussées. Cela peut le mettre en surcharge et la coupe ne sera pas satisfaisante.

LUBRIFIER LA LAME

Pour faciliter l'utilisation et prolonger la durée de vie de la lame, lubrifiez la lame du taille-haie avec une huile pour outil de faible viscosité avant et après chaque utilisation.

Retirez la batterie, puis posez le taille-haie sur une surface plane. Appliquez de l'huile sur le bord de la lame supérieure.

REMARQUE: Lors d'utilisations prolongées, huilez la lame pendant les opérations de coupe.

AVERTISSEMENT: N'huilez pas la lame quand le taille-haie est en fonctionnement.

LUBRIFICATION DE LA BOITE DE VITESSES

Pour optimiser le fonctionnement et maximiser la durée d'utilisation, lubrifiez la boîte de vitesses du taille-haie à l'aide d'une graisse spéciale (5-6 g à la position #1 et 10-12 g à la position #2 à chaque fois) toutes les 25 heures d'utilisation.

REMARQUE : N'hésitez pas à contacter votre réparateur ego pour toute question.

La graisse spéciale doit satisfaire aux critères suivants :

1. Appartenir à la classe DIN51818 : NLGI-2 de profondeur de pénétration d'un cône.
2. Être composée d'épaississants de type polyurée et d'huile de lubrification synthétique.
3. Avoir d'excellentes propriétés de démarrage à basse température, de stabilité oxydative, de résistance aux pressions extrêmes, au cisaillement mécanique et à l'abrasion.
4. La température d'utilisation doit être comprise entre -40 °C et 180 °C.

TRANSPORT ET RANGEMENT

- Insérez toujours le fourreau de lame sur la lame avant de ranger ou de transporter le taille-haie. Faites attention à ne pas toucher les dents tranchantes de la lame.
- Nettoyez soigneusement le taille-haie avant de le ranger.
- Rangez le taille-haie en intérieur, dans un endroit sec et hors de portée des enfants.

- Veillez à ce qu'il reste éloigné des produits corrosifs, par exemple les produits chimiques de jardinage et les sels de déverglaçage.

AVERTISSEMENT: Les lames sont tranchantes. Lors de la manipulation de la lame, portez des gants protecteurs antidérapants pour travaux lourds. Ne placez pas votre main ou vos doigts entre les lames ni dans aucune position où ils pourraient être pincés ou coupés. Ne touchez JAMAIS les lames et ne réparez JAMAIS l'outil avec sa batterie installée.

Protection de l'environnement



Ne jetez pas les équipements électriques, les chargeurs de batterie, les batteries rechargeables et les piles avec les ordures ménagères !

Conformément à la directive européenne 2012/19/UE, les équipements électriques et électroniques qui ne sont plus utilisables, et conformément à la directive européenne 2006/66/CE, les batteries rechargeables et les piles usagées ou défectueuses doivent être collectés séparément.

Si les appareils électriques sont jetés dans des décharges ou des dépôts d'ordures, des substances dangereuses peuvent s'infiltrer jusque dans la nappe phréatique et entrer dans la chaîne alimentaire, avec un effet néfaste sur votre santé et votre bien-être.

DÉPANNAGE

FR

PROBLÈME	CAUSE	SOLUTION
Le taille-haie ne s'allume pas	<ul style="list-style-type: none"> La batterie n'est pas insérée sur le taille-haie. 	<ul style="list-style-type: none"> Insérez la batterie sur le taille-haie.
	<ul style="list-style-type: none"> Il n'y a pas de contact électrique entre l'outil et la batterie. 	<ul style="list-style-type: none"> Retirez la batterie, inspectez les contacts, puis réinsérez la batterie.
	<ul style="list-style-type: none"> La batterie est déchargée. 	<ul style="list-style-type: none"> Rechargez la batterie.
	<ul style="list-style-type: none"> La batterie est trop chaude. 	<ul style="list-style-type: none"> Retirez la batterie de l'outil et laissez-la refroidir jusqu'à ce que sa température devienne inférieure à 67 °C.
	<ul style="list-style-type: none"> Le taille-haie est trop chaud. 	<ul style="list-style-type: none"> Relâchez les deux interrupteurs marche/arrêt et laissez l'outil refroidir jusqu'à ce que sa température devienne inférieure à 77 °C.
	<ul style="list-style-type: none"> Les deux interrupteurs marche/arrêt ne sont pas appuyés en même temps. 	<ul style="list-style-type: none"> Appuyez sur les interrupteurs marche/arrêt des poignées avant et arrière en même temps.
	<ul style="list-style-type: none"> La lame est coincée. 	<ul style="list-style-type: none"> Retirez la batterie de l'outil, retirez précautionneusement les matières bloquant la lame, puis réinsérez la batterie et redémarrez l'outil.
Bruit/ vibrations excessifs	<ul style="list-style-type: none"> Les lames sont sèches ou corrodées. 	<ul style="list-style-type: none"> Lubrifiez les lames en procédant comme indiqué au chapitre « LUBRIFIER LA LAME » de ce manuel.
	<ul style="list-style-type: none"> Une ou plusieurs lames sont tordues. 	<ul style="list-style-type: none"> Faites remplacer la lame par une lame neuve. Contactez le centre de réparation EGO pour faire remplacer les lames.
	<ul style="list-style-type: none"> Dents tordues ou endommagées. 	<ul style="list-style-type: none"> Faites remplacer la lame par une lame neuve. Contactez le centre de réparation EGO pour faire remplacer les lames.
	<ul style="list-style-type: none"> Les boulons de lame sont desserrés. 	<ul style="list-style-type: none"> Serrez les boulons de lame. Avec une clé, tournez les boulons dans le sens horaire pour les serrer.

GARANTIE

POLITIQUE DE GARANTIE EGO

Veillez consulter le site egopowerplus.com pour trouver l'ensemble des modalités et conditions de la politique de garantie EGO.

LEA TODAS LAS INSTRUCCIONES!



ASEGÚRESE DE LEER Y ENTENDER PERFECTAMENTE EL MANUAL DE INSTRUCCIONES

ES

⚠ Riesgo residual! Aquellas personas con implantes electrónicos, tales como marcapasos, deberán consultar a su médico antes de utilizar este producto. La utilización de equipos eléctricos a proximidad de un marcapasos podría causar en este interferencias o averías.

⚠ ADVERTENCIA: Para garantizar la seguridad y fiabilidad de la herramienta, confíe cualquier reparación y sustitución de piezas que sea necesaria a personal técnico cualificado.

SÍMBOLOS RELACIONADOS CON LA SEGURIDAD

El propósito de los símbolos de seguridad es el de atraer su atención hacia los posibles peligros que conlleva la utilización del producto. Los símbolos de seguridad y las explicaciones que los acompañan requieren su máxima atención y comprensión. Por sí solos, los símbolos de advertencia no eliminan los posibles peligros que pudieran existir.

Las instrucciones y advertencias que aquí se incluyen no son sustitutas en modo alguno de las medidas de prevención adecuadas que deben tomarse para evitar posibles accidentes.

⚠ ADVERTENCIA: Antes de utilizar esta herramienta, asegúrese de haber leído y entendido perfectamente todas las instrucciones incluidas en este Manual del usuario, incluidos todos los símbolos de aviso sobre seguridad, tales como "**PELIGRO**", "**ADVERTENCIA**" y "**PRECAUCIÓN**". De no observarse todas las instrucciones proporcionadas a continuación podría existir un riesgo de incendio, electrocución, así como de lesiones físicas graves.

SIGNIFICADO DE LOS DISTINTOS SÍMBOLOS

SÍMBOLO DE AVISO DE SEGURIDAD: señala algún tipo de PELIGRO, ADVERTENCIA o PRECAUCIÓN. Este símbolo podrá utilizarse de manera conjunta con otros símbolos o pictogramas.

⚠ ADVERTENCIA: Es posible que, cuando se utilizan herramientas eléctricas, salgan despedidos objetos que podrían causar lesiones oculares severas si no se utiliza equipo de protección personal adecuado. Antes de empezar a usar herramientas eléctricas, póngase siempre gafas de seguridad, gafas con cristales anti-impacto que cuenten con pantallas de protección lateral, o bien una máscara facial que proteja completamente la cara. Recomendamos la utilización de máscaras de seguridad de amplia visión que pueden utilizarse encima de gafas graduadas, o bien gafas normales de seguridad equipadas con pantallas laterales.

INSTRUCCIONES RELACIONADAS CON LA SEGURIDAD

Esta página muestra y describe los símbolos de seguridad que puede haber en este producto. Asegúrese de leer, entender perfectamente y observar todas las instrucciones estampadas o proporcionadas con el producto antes de proceder a su montaje y utilización.

	Aviso de seguridad	Indica una situación potencialmente peligrosa que, de no evitarse, podría dar lugar a lesiones físicas.
	Lea el Manual del usuario	Para reducir en lo posible el riesgo de lesiones, el usuario debe leer el manual de instrucciones suministrado con el producto.
	No exponga la herramienta a la lluvia	ADVERTENCIA: No utilice la herramienta bajo la lluvia ni la deje a la intemperie cuando esté lloviendo.
	Longitud de corte de la cuchilla	Longitud de corte de la cuchilla
	Capacidad de corte	Capacidad de corte máx. de la cuchilla
V	Voltios	Tensión
A	Amperios	Corriente
Hz	Hercios	Frecuencia (ciclos por segundo)
W	Vatios	Potencia eléctrica
min	Minutos	Tiempo
	Corriente alterna	Tipo de corriente

	Corriente continua	Tipo o característica de la corriente
n_0	Velocidad en vacío	Velocidad de giro, sin carga
.../min	Por minuto	Revoluciones por minuto
SPM	Ciclos por minuto	Velocidad de corte, sin carga

ADVERTENCIAS GENERALES DE SEGURIDAD PARA HERRAMIENTAS ELÉCTRICAS

⚠ ADVERTENCIA: Lea todas las instrucciones y advertencias relacionadas con la seguridad que se indican a continuación. De no observarse las instrucciones y advertencias de seguridad podría existir un riesgo de incendio, electrocución y/o lesiones físicas de importancia.

Conservar todas las instrucciones y advertencias para futuras consultas.

El término “herramientas eléctricas” que aparece en las advertencias se refiere tanto a aquellas herramientas que funcionan conectadas a la red eléctrica (mediante cable) como a aquellas otras que funcionan con acumuladores (inalámbricas).

SEGURIDAD EN LA ZONA DE TRABAJO

- **Mantenga la zona de trabajo limpia y bien iluminada.** Aquellas áreas desordenadas o insuficientemente iluminadas son más propensas a accidentes.
- **No utilice herramientas eléctricas en ambientes explosivos, por ejemplo, en presencia de líquidos, gases o polvo inflamables.** Las herramientas eléctricas generan chispas que podrían actuar como detonante de vapores y partículas de polvo inflamables.
- **Mantenga a niños y demás personas a una distancia prudente mientras utiliza herramientas eléctricas.** Cualquier distracción podría hacerle perder el control de la herramienta.

PAUTAS DE SEGURIDAD ELÉCTRICA

- **Los enchufes de las herramientas eléctricas deberán coincidir con el tipo de toma de corriente donde vayan a conectarse. Nunca modifique los enchufes en modo alguno. Nunca utilice enchufes adaptadores o ladrones de corriente con herramientas eléctricas equipadas con conexión a tierra.** Unos enchufes sin modificar y que coincidan perfectamente con sus tomas de corriente reducirán enormemente los riesgos de electrocución.
- **Evite cualquier contacto corporal con superficies conectadas a tierra tales como tuberías, radiadores, hornillos eléctricos y frigoríficos.** Existirá un mayor riesgo de electrocución si su cuerpo actúa como conductor a tierra con dichos elementos y dispositivos.

- **No exponga las herramientas eléctricas a la acción de la lluvia ni a entornos húmedos.** La penetración de agua en una herramienta eléctrica aumentará el riesgo de electrocución.
- **No maltrate el cable de alimentación eléctrica. Nunca utilice el cable para transportar, arrastrar, o desenchufar la herramienta eléctrica. Mantenga el cable apartado de fuentes de calor, aceite, cantos afilados o elementos móviles.** Unos cables dañados o enredados aumentarán los riesgos de electrocución.
- **Cuando utilice una herramienta eléctrica al aire libre, asegúrese de utilizar alargaderas de corriente especificadas para uso en exteriores.** La utilización de un cable adecuado para uso en exteriores reducirá el riesgo de electrocución.
- **De no poderse evitar la utilización de una herramienta eléctrica en un entorno húmedo, asegúrese de conectarla a una instalación eléctrica equipada con un interruptor de protección diferencial.** La utilización de un interruptor de protección diferencial reducirá el riesgo de electrocución.

SEGURIDAD PERSONAL

- **Manténgase alerta, concéntrese en lo que está haciendo y utilice siempre su sentido común cuando se sirva de herramientas eléctricas. No utilice herramientas eléctricas si está cansado o se encuentra bajo los efectos de estupefacientes, alcohol o fármacos.** Cualquier momento de descuido durante la utilización de herramientas eléctricas podría dar lugar a lesiones físicas graves.
- **Utilice equipo de protección personal. Utilice siempre protección ocular.** La utilización de equipos de protección tales como mascarillas antipolvo, calzado de seguridad antideslizante, cascos de seguridad o protección auditiva en las circunstancias que así lo requieran reducirá el riesgo de lesiones físicas.
- **Procure evitar la activación fortuita de la herramienta. Asegúrese de que el interruptor de encendido se encuentra en la posición de apagado antes de enchufar la herramienta a la red eléctrica y/o de acoplar el acumulador, así como al recoger o transportar la herramienta.** El hecho de transportar herramientas eléctricas con el dedo apoyado en el gatillo o interruptor de activación, o bien de enchufarlas a una toma de corriente o acoplar su acumulador mientras su interruptor está en la posición de encendido es propicio a causar accidentes.
- **Retire cualquier llave o útil de ajuste antes de poner en marcha la herramienta.** Cualquier llave o útil sujeto a un elemento rotativo de la herramienta eléctrica podría ocasionar lesiones físicas.

- **No se estire demasiado para alcanzar lugares de difícil acceso. Mantenga en todo momento un buen equilibrio y los pies firmemente apoyados en el suelo.** De esta manera, tendrá un mejor control de la herramienta eléctrica en caso de producirse alguna situación inesperada.
- **Utilice ropa adecuada. No lleve puesta ropa holgada ni joyas. Mantenga cabellos, ropa y guantes a una distancia prudente de los elementos móviles de la herramienta.** La ropa holgada, así como las joyas o el pelo largo podrían engancharse en las partes móviles de la herramienta.
- **De suministrarse dispositivos de conexión a extractores y colectores de polvo, asegúrese de conectarlos y utilizarlos de la manera adecuada.** La utilización de dispositivos colectores de polvo podrá reducir notablemente los peligros ocasionados por el polvo.

UTILIZACIÓN Y CUIDADO DE LAS HERRAMIENTAS ELÉCTRICAS

- **No fuerce las herramientas eléctricas. Utilice la herramienta eléctrica apropiada para el trabajo que vaya a realizar.** La utilización de la herramienta correcta a la velocidad de funcionamiento para la que ha sido diseñada le ayudará a efectuar el trabajo de manera más fácil y segura.
- **No utilice ninguna herramienta eléctrica cuyo interruptor de encendido/apagado no funcione como es debido.** Cualquier herramienta que no pueda controlarse mediante su interruptor, supondrá un peligro y deberá repararse antes de poder utilizarse.
- **Asegúrese siempre de retirar el enchufe de la toma de corriente y/o el acumulador de las herramientas eléctricas antes de ajustarlas, cambiar sus accesorios o guardarlas.** Estas medidas preventivas de seguridad reducirán enormemente el riesgo de que la herramienta pueda activarse de manera fortuita.
- **Almacene las herramientas eléctricas apagadas fuera del alcance de niños y no permita en ningún momento que aquellas personas que no estén lo suficientemente familiarizadas con estas instrucciones o este tipo de herramientas las utilicen.** Las herramientas eléctricas son extremadamente peligrosas en manos de aquellas personas que no cuentan con la debida formación o experiencia para su uso.
- **Lleve a cabo el mantenimiento que sea necesario en sus herramientas eléctricas. Examine las herramientas eléctricas por si alguno de sus elementos móviles estuviera desalineado o doblado, y verifique también que no haya piezas rotas ni se observe ninguna otra condición que pudiera comprometer su funcionamiento correcto.** De observarse cualquier tipo de daño, asegúrese de llevar a reparar la herramienta eléctrica antes de utilizarla. Numerosos accidentes se producen como consecuencia de un mantenimiento deficiente de las herramientas eléctricas.
- **Mantenga las herramientas de corte limpias y afiladas.** El mantenimiento correcto de las herramientas de corte, asegurándose de que sus filos estén bien afilados, las hace menos propensas a atascarse y permite controlarlas con más facilidad.
- **Utilice la herramienta eléctrica, así como sus accesorios, brocas, puntas de destornillador, etc., conforme a lo indicado en estas instrucciones y teniendo siempre en cuenta las condiciones de trabajo, así como la tarea a efectuar.** La utilización de herramientas eléctricas para propósitos distintos a aquellos para los que han sido diseñadas podría suponer un peligro.

UTILIZACIÓN Y CUIDADO DEL ACUMULADOR DE LA HERRAMIENTA

- **Recargue la herramienta utilizando únicamente el cargador especificado por el fabricante.** Un cargador adecuado para cierto tipo de acumulador podrá suponer un riesgo de incendio si se utiliza con un acumulador distinto.
- **Utilice únicamente las herramientas eléctricas con acumuladores específicamente diseñados para estas.** La utilización de acumuladores distintos podría suponer un riesgo de lesiones físicas e incendio.
- **Cuando no se esté utilizando el acumulador, manténgalo apartado de objetos metálicos tales como clips para papeles, monedas, llaves, clavos, tornillos, o de cualquier otro objeto metálico pequeño que pudiera provocar un cortocircuito en sus terminales de corriente.** De cortocircuitarse los terminales del acumulador, podrían producirse quemaduras o incendios.
- **En condiciones de uso intensivo, es posible que se produzca una fuga de ácido de los acumuladores.** Evite cualquier contacto con dicho electrolito. De producirse cualquier contacto accidental, enjuague la zona corporal afectada con abundante agua. Si el electrolito llegara a penetrar en los ojos, deberá solicitarse atención médica urgente. El líquido emanado del acumulador podría causar irritación o quemaduras.

REPARACIONES

- **Asegúrese de que las reparaciones que deban efectuarse en sus herramientas eléctricas las lleve a cabo personal técnico cualificado que, además, utilice únicamente piezas de recambio idénticas a las originales.** Solo de este modo podrá garantizarse la seguridad de uso de las herramientas eléctricas.

ADVERTENCIAS DE SEGURIDAD RELACIONADAS CON EL USO DE CORTASETOS ELÉCTRICOS

- **Mantenga todas las partes del cuerpo apartadas de la cuchilla de corte. No retire el material cortado ni sujete el material a cortar mientras la cuchilla está en movimiento. Asegúrese de que el interruptor está en la posición de apagado antes de retirar material atrapado en la cuchilla.** Cualquier momento de descuido durante la utilización del cortasetos podría dar lugar a lesiones físicas graves.
- **Transporte el cortasetos sujetándolo por la empuñadura y asegurándose de que la cuchilla de corte no está en funcionamiento.** Durante el transporte o almacenamiento del cortasetos, coloque siempre el protector de cuchilla en la herramienta. Una utilización y manipulación correcta del cortasetos reducirá los riesgos de posibles lesiones debido a la cuchilla de corte.
- **Sujete la herramienta eléctrica únicamente por sus superficies de agarre o empuñaduras aisladas, ya que, durante su utilización, el accesorio de corte podría de manera accidental entrar en contacto con cables ocultos que se encuentran bajo tensión.** El contacto de la hoja de corte con un cable bajo tensión podría transmitir a las piezas metálicas expuestas de la herramienta eléctrica la corriente transportada por el cable y hacer que el usuario reciba una descarga eléctrica.
- **Mantenga el cable apartado de la zona de corte.** Durante la utilización del cortasetos, el cable podría llegar quedar oculto en la vegetación, con el consecuente riesgo de que pueda cortarse de manera accidental con la cuchilla.
- Examine detenidamente los setos por si albergaran objetos extraños, por ejemplo, vallas de alambre.
- Utilice únicamente el cortasetos con su guarda de protección correctamente instalada en su sitio. La utilización del cortasetos sin su correspondiente guarda de protección correctamente instalada podría dar lugar a lesiones físicas graves.
- **Sujete siempre el cortasetos con ambas manos mientras lo utiliza. Sujetándolo con una sola mano podría perder el control y dar lugar a lesiones físicas graves.**

⚠ ADVERTENCIA: Examine detenidamente los setos por si albergaran objetos extraños, por ejemplo, vallas de alambre. Utilice únicamente el cortasetos con su guarda de protección correctamente instalada en su sitio. La utilización del cortasetos sin su correspondiente guarda de protección correctamente instalada podría dar lugar a lesiones físicas graves.

ES

PRECAUCIONES IMPORTANTES DE SEGURIDAD A TENER EN CUENTA

- No utilice este cortasetos a batería bajo la lluvia.
- No recargue el acumulador bajo la lluvia ni en entornos excesivamente húmedos.
- Utilizar solo con los acumuladores y cargadores enumerados en la fig. A.
- No agarre el cortasetos por la cuchilla expuesta ni por los fillos de corte al levantarlo o recogerlo de alguna superficie.
- No utilice la herramienta subido en una escalera, árbol, tejado u otro soporte inestable. Asegurándose de mantener los pies firmemente apoyados sobre una superficie sólida y estable tendrá un mayor control del cortasetos en caso de producirse alguna situación inesperada.
- Nunca permita que los niños utilicen el cortasetos.
- Nunca retire, modifique o anule los dispositivos de seguridad. Compruebe periódicamente su funcionamiento correcto. Nunca lleve a cabo modificaciones que interfieran con el funcionamiento previsto de los dispositivos de seguridad o reduzcan el nivel de protección que ofrecen.
- Nunca utilice el cortasetos sin sus guardas de protección, pantallas protectoras u otros dispositivos de seguridad correctamente instalados en su sitio.
- Compruebe la posible existencia de piezas dañadas antes de seguir utilizando el cortasetos. Deberá examinarse detenidamente cualquier guarda de protección o pieza dañada a fin de determinar si se encuentran en perfectas condiciones de funcionamiento y si pueden permitir efectuar el trabajo previsto sin comprometer la seguridad. Compruebe la alineación de las piezas móviles y asegúrese de que se desplazan libremente sin trabarse. Verifique también que no haya piezas o soportes rotos ni ninguna otra condición pudiera afectar al funcionamiento de la herramienta. A menos que se indique lo contrario en este manual, si una guarda de protección u otra pieza está dañada, deberá repararla o sustituirla un servicio técnico autorizado.

- Compruebe a intervalos periódicos los tornillos de fijación de la cuchilla y del motor para asegurarse de que están correctamente apretados. Asimismo, examine visualmente la cuchilla por si presentara daños (por ejemplo, deformación, grietas o desgaste). Sustituya únicamente la cuchilla por otra original de EGO™.
- Sustituya inmediatamente la cuchilla en caso de estar deformada, doblada o agrietada. Una cuchilla desequilibrada provocará vibraciones en la herramienta que podrían llegar a dañar su motor o causar lesiones físicas.
- De observarse vibraciones anormales en la herramienta, apague el motor e investigue inmediatamente la causa. Las vibraciones suelen ser indicativo de alguna anomalía.
- El cortasetos deberá utilizarse únicamente para cortar tallos de grueso inferior a (33 mm).
- Utilice únicamente la herramienta a plena luz del día o cuando haya una iluminación artificial adecuada.
- Retire o desconecte el acumulador antes de llevar a cabo cualquier operación de mantenimiento, limpieza o de retirar restos de material acumulados en la cuchilla del cortasetos.
- No limpie la herramienta utilizando una manguera. Evite que penetre agua en el motor o en las conexiones eléctricas.
- Al efectuar reparaciones, utilice únicamente recambios idénticos a las referencias de pieza incluidas en este manual. La utilización de recambios que no cumplan las especificaciones de los equipos originales podría dar lugar a un funcionamiento incorrecto y comprometer la seguridad de la herramienta.
- Siga las instrucciones de lubricación y cambio de accesorios indicadas.
- Mantenga las empuñaduras de la herramienta secas, limpias y libres de aceite y grasa.
- Conserve estas instrucciones. Consúltelas con frecuencia y utilícelas para instruir a aquellas otras personas que vayan a usar esta herramienta. En caso de prestar esta herramienta a terceros, proporcióneles también estas instrucciones a fin de evitar su uso incorrecto y posibles riesgos de lesiones.

CONSERVE ESTAS INSTRUCCIONES EN UN LUGAR SEGURO!

ESPECIFICACIONES

Número de modelo	HT5100E	HT6500E	
Tensión	56 V $\overline{\text{---}}$	56 V $\overline{\text{---}}$	
Revoluciones del motor en vacío	Alto	1600 /min	1600 /min
	Bajo	1400 /min	1400 /min
Temperatura Operativa Recomendada:	0°C-40°C		
Temperatura Recomendada de Almacenaje:	-20°C-70°C		
Longitud de corte	51 cm	65 cm	
Capacidad de corte	33 mm	33 mm	
Peso (sin acumulador)	3,6 kg	3,8 kg	
Nivel de potencia acústica ponderado L_{WA}	90 dB(A) K=1,55 dB(A)	91,45 dB(A) K=1,08 dB(A)	
Nivel de presión acústica medido en la posición del usuario L_{PA} K=2,5 dB(A)	81,5 dB(A)	81,4 dB(A)	
Nivel de potencia acústica garantizado L_{WA} (medido según 2000/14/CE)	92 dB(A)	93 dB(A)	
Nivel de vibraciones a_h K=1,5 m/s ²	Empuñadura delantera	3,369 m/s ²	5,313 m/s ²
	Empuñadura trasera	1,876 m/s ²	3,115 m/s ²

- El nivel total de vibraciones especificado ha sido medido conforme al método de prueba estándar empleado en la industria y puede utilizarse para efectuar comparaciones entre herramientas.
- Asimismo, el nivel total de vibraciones declarado podrá utilizarse para efectuar una evaluación preliminar de la exposición del usuario a los niveles de vibración generados por la herramienta.

AVISO: Las vibraciones generadas durante el uso real de la herramienta eléctrica podrán diferir del valor declarado en función de la manera en que se utilice. A modo de protección, el usuario deberá utilizar guantes y protectores auditivos en condiciones reales de uso.

LISTA DE EMBALAJE

DENOMINACIÓN DE PIEZA	CANTIDAD
Cortasetos	1
Pantalla	1
Manual del usuario	1

DESCRIPCIÓN

FAMILIARÍCESE CON SU CORTASETOS (fig. A)

1. Botón de liberación del acumulador
2. Empuñadura trasera
3. Gatillo de desbloqueo
4. Interruptor de palanca trasero
5. Mando de ajuste de la velocidad
6. Empuñadura delantera
7. Interruptor de palanca frontal
8. Protección de la empuñadura
9. Protector de cuchilla
10. Cuchilla
11. Protector de punta de cuchilla
12. Seguro
13. Contactos eléctricos
14. Ranura de montaje
15. Mecanismo de expulsión
16. Bloqueo de la empuñadura
17. Carcasa del motor
18. Pantalla

⚠ ADVERTENCIA: Este producto se ha enviado completamente montado. La protección de la empuñadura no debe quitarse nunca durante el uso. Si se ha dañado, llévela inmediatamente a un técnico de servicio cualificado.

⚠ ADVERTENCIA: Para una utilización segura de este producto, se requiere entender perfectamente la información proporcionada en la propia herramienta, así como en este Manual del usuario, además de poseer buenos conocimientos acerca de la tarea a realizar. Antes de utilizar este producto, familiarícese con todas sus características de funcionamiento y pautas de seguridad a observar.

UTILIZACIÓN

⚠ ADVERTENCIA: No permita que la confianza que supone el hecho de estar familiarizado con el producto dé lugar a descuidos. Recuerde que cualquier distracción de una fracción de segundos es suficiente para sufrir o provocar lesiones graves.

⚠ ADVERTENCIA: Utilice siempre gafas de seguridad con pantallas de protección lateral, así como protección auditiva. De lo contrario, los objetos despedidos por la acción de la herramienta podrían alcanzar sus ojos y provocar lesiones graves oculares o de otro tipo.

⚠ ADVERTENCIA: Para evitar cualquier puesta en marcha accidental que pudiera causar lesiones físicas graves, asegúrese siempre de retirar el acumulador de la herramienta antes de proceder al montaje de cualquier pieza, de hacer ajustes o de limpiar la herramienta, así como cuando no la utilice.

⚠ ADVERTENCIA: No utilice piezas o accesorios que no hayan sido recomendados por EGO™. La utilización de piezas o accesorios no recomendados por el fabricante podría resultar en lesiones físicas graves.

Antes de cada utilización, examine la totalidad del producto a fin de determinar la posible existencia de piezas dañadas, extraviadas o sueltas, tales como tornillos, tuercas, pernos, tapones, etc. Apriete todos los tornillos, fijaciones y tapones según sea necesario y no utilice el producto hasta haber sustituido las piezas dañadas o instalado las que faltan.

UTILIZACIÓN PREVISTA DE LA HERRAMIENTA

Puede usar este producto para cortar setos, arbustos y matorrales con un diámetro del tallo inferior a Ø33 mm.

AVISO: La herramienta debe utilizarse únicamente para el fin previsto. Cualquier otro uso se considerará uso indebido.

INSTALAR/QUITAR EL ACUMULADOR

Recargar antes del primer uso.

Instalación (fig. B)

Alinee las nervaduras del acumulador con las ranuras de montaje, e introduzca el acumulador presionándolo hacia abajo hasta oír un “clic”.

Extracción (fig. C)

Pulse el botón de liberación del acumulador y saque el acumulador.

⚠ ADVERTENCIA: Preste atención siempre a la posición de sus pies, así como a la presencia de niños o mascotas cuando pulse el botón de liberación del acumulador. Podrían producirse lesiones graves si el acumulador se cayese. **NUNCA** retire el acumulador con la herramienta situada en altura.

PUESTA EN MARCHA/PARADA DEL CORTASETOS

Antes de usar el cortasetos, quite el protector de la cuchilla y sostenga el cortasetos con las dos manos, una en la empuñadura trasera y otra en la delantera. A continuación, compruebe que tiene los pies en equilibrio, adopte una postura erguida y mantenga una distancia de corte adecuada.

⚠ ADVERTENCIA: Mantenga siempre ambas manos en las empuñaduras del cortasetos durante su utilización. Nunca sujete arbustos con una mano mientras procede a cortarlos sosteniendo el cortasetos con la otra mano. De no observarse esta advertencia, podría sufrir lesiones físicas graves.

Puesta en marcha

Pulse el interruptor de desbloqueo con la palma y, a continuación, presione hacia arriba el interruptor de palanca trasero. Manteniendo pulsado el interruptor de palanca trasero, siga presionando el interruptor de palanca delantero para arrancar la máquina.

Parada

Suelte cualquiera de los dos interruptores para parar la herramienta.

AVISO: Para poder poner en marcha el cortasetos, será absolutamente imprescindible accionar ambos interruptores.

UTILIZACIÓN DEL CORTASETOS

⚠ ADVERTENCIA: Si la cuchilla llega a trabarse en cualquier cable eléctrico, ¡NO LA TOQUE! PODRÍA ESTAR BAJO TENSIÓN Y RESULTAR EXTREMADAMENTE PELIGROSA. Continúe sujetando el cortasetos por la empuñadura trasera aislada o tiéndalo con cuidado a una distancia prudente. Corte el suministro eléctrico que alimenta el cable dañado antes de intentar liberar la cuchilla del cable donde se ha trabado. De no observarse esta advertencia, podría sufrir lesiones físicas graves o incluso mortales.

⚠ ADVERTENCIA: Para evitar en lo posible el riesgo de sufrir lesiones físicas graves, mantenga las manos apartadas de la cuchilla. No intente retirar el material cortado ni sujetar el material a cortar mientras la cuchilla está en movimiento. Asegúrese de que la cuchilla se haya detenido por completo y de haber quitado do el acumulador de la herramienta antes de retirar cualquier material trabado en la cuchilla. No agarre la herramienta por la cuchilla expuesta ni por los filos de corte al levantarla o recogerla de alguna superficie.

⚠ ADVERTENCIA: Antes de cada uso, despeje la zona de trabajo. Quite todos los objetos como cuerdas, luces, cables o alambres que puedan enredarse en la cuchilla y suponer un riesgo de lesiones graves.

⚠ ADVERTENCIA: Evite cortar demasiados tallos a la vez o a través de arbustos densos. De lo contrario, la cuchilla podría atascarse y frenar el motor, reduciendo así la eficacia de corte de la herramienta.

AVISO: Para los brotes nuevos, con una acción de barrido amplio los tallos se dirigen directamente a la cuchilla de corte. Para los tallos más viejos, conviene realizar un movimiento de serrado para podar los tallos más gruesos. Se recomienda usar una sierra no eléctrica o una sierra de podar para cortar primero los tallos grandes.

Recorte de la parte superior de los setos

Realice un movimiento de barrido amplio. Obtendrá los mejores resultados de corte si mantiene ligeramente inclinada hacia abajo la cuchilla en la dirección del movimiento. Para obtener un mejor efecto de corte, también puede usar la cuerda como guía para el nivel del seto, como se muestra en la fig. D.

Recorte de los laterales de los setos

Cuando recorte los laterales de un seto, comience por la parte de abajo y continúe el corte en dirección ascendente, como se muestra en la fig. E1, o la fig. E2.

Corte radical

La empuñadura trasera del cortasetos se puede ajustar en cinco posiciones ($0^\circ/\pm 45^\circ/\pm 90^\circ$) sacando el pestillo (fig. F1 a fig. F5). Si es necesario un corte radical, ajuste la empuñadura trasera a $\pm 45^\circ$ (fig. F2 y F4) para hacer el corte.

⚠ ADVERTENCIA: cuando ajuste la empuñadura, la cuchilla de corte no debe estar en marcha.

AVISO: cuando esté trabajando, la empuñadura debe estar siempre mirando hacia arriba, sea cual sea la forma de dirigir el cortasetos.

Protector de punta de cuchilla

El protector de punta de cuchilla (fig. G) se usa para proteger el extremo exterior de la cuchilla.

Protector de cuchilla

La parte exterior de las cuchillas tiene la forma de los protectores de cuchilla (fig. H).

H-1	Cuchilla
H-2	Protector de cuchilla

⚠ ADVERTENCIA: Compruebe siempre que el protector de cuchilla no esté dañado ni deformado. Sustitúyalo en caso de que esté doblado o deformado.

MANTENIMIENTO

⚠ ADVERTENCIA: Cuando efectúe reparaciones en la herramienta, utilice únicamente piezas idénticas a las originales. La utilización de piezas diferentes o no homologadas podría suponer un peligro o causar daños en el producto. Para garantizar la seguridad y fiabilidad del producto, confíe cualquier reparación que sea necesaria a personal técnico cualificado.

⚠ ADVERTENCIA: Para evitar posibles riesgos de lesiones físicas graves, asegúrese siempre de retirar el acumulador de la herramienta antes de proceder a su limpieza o llevar a cabo cualquier tarea de mantenimiento.

LIMPIEZA

- Utilice un cepillo suave para eliminar restos de recortes de material y acumulaciones de suciedad de todos los orificios de ventilación, así como de la cuchilla de corte.
- Para eliminar restos de savia y otros residuos pegajosos, rocíe la cuchilla con disolvente para resina. Haga funcionar brevemente el motor a fin de repartir bien el disolvente por toda la cuchilla.
- Limpie la superficie con un paño seco.

⚠ ADVERTENCIA: Nunca utilice agua para limpiar su herramienta. Evite utilizar disolventes para limpiar los elementos plásticos del producto. La mayoría de las piezas de plástico utilizadas son susceptibles de sufrir daños si se limpian con algunos de los tipos de disolventes de uso industrial disponibles en el mercado. Utilice paños limpios para eliminar la suciedad y los residuos de polvo, aceite, grasa, etc.

AFILADO DE LA CUCHILLA

1. Quite el acumulador del cortasetos.

2. Sujete la cuchilla en un tornillo de banco y lime la superficie de corte expuesta de cada uno de los dientes de la cuchilla. Retire la mínima cantidad de material posible.
3. Quite el cortasetos del tornillo de banco y ajuste la cuchilla expuesta que no está afilada. Repita los procedimientos anteriores hasta que todos los dientes de la cuchilla estén afilados.

AVISO: No utilice el cortasetos con una cuchilla escasamente afilada o dañada. De lo contrario, podría sobrecargar la herramienta y obtener unos resultados de corte poco satisfactorios.

LUBRICACIÓN DE LA CUCHILLA

Para que la cuchilla de su cortasetos corte con mayor eficacia y a fin de prolongar su vida útil, lubríquela utilizando aceite de maquinaria de escasa viscosidad antes y después de cada uso.

Quite el acumulador y deposite el cortasetos sobre una superficie plana. Aplique el aceite a lo largo del borde de la cuchilla superior.

AVISO: Si utiliza el cortasetos durante un periodo largo, lubrique la cuchilla durante el tiempo de uso.

⚠ ADVERTENCIA: No lubrique el cortasetos mientras está funcionando.

LUBRICACIÓN DE LA CAJA DE ENGRANAJES

Para obtener un funcionamiento óptimo y una vida útil más larga de la herramienta, lubrique la caja de engranajes del cortasetos con una grasa especial (5-6 g en #1 y 10-12 g en #2 cada vez) cada 25 horas de funcionamiento.

NOTA: Póngase en contacto con su proveedor de servicio técnico de ego para solicitar asistencia.

La grasa especial debe cumplir los siguientes requisitos:

1. Estar incluida en DIN51818: NLGI-2 grado de penetración de cono.
2. Compuesta de espesantes de poliurea + aceite lubricante sintético.
3. Excelente arranque a baja temperatura, EP, cizallamiento mecánico, resistencia a la abrasión y propiedades de estabilidad oxidativa.
4. La temperatura de funcionamiento debe incluir -40~180 °C.

TRANSPORTE Y ALMACENAMIENTO

- Coloque siempre el protector de cuchilla antes de proceder a almacenar o transportar el cortasetos. Tenga cuidado para evitar cortarse con los dientes de la cuchilla, ya que están muy afilados.
- Limpie a fondo el cortasetos antes de guardarlo.
- Guarde el cortasetos en interiores, en un lugar seco e inaccesible para los niños.
- Manténgalo apartado de agentes corrosivos tales como productos químicos de jardinería y sal para deshielo.

⚠ ADVERTENCIA: Las cuchillas están muy afiladas. Utilice guantes de protección robustos y antideslizantes cuando manipule la cuchilla. No ponga las manos ni los dedos entre las cuchillas ni en ninguna otra posición donde puedan sufrir cortes o pellizcos. NUNCA toque las cuchillas ni repare la herramienta con su acumulador instalado.

Protección del medio ambiente



No deseche aparatos eléctricos, cargadores de baterías, acumuladores recargables o baterías junto con los desperdicios domésticos!

Tanto la Directiva europea 2012/19/UE sobre la eliminación de aparatos eléctricos y electrónicos inservibles como la Directiva europea 2006/66/CE sobre la eliminación de baterías o acumuladores defectuosos o agotados estipulan que dichos elementos deben ser objeto de una recogida selectiva.

Si los aparatos eléctricos acabaran tirándose a vertederos o basureros, podrían desprender sustancias perjudiciales que llegarían a contaminar las capas freáticas y entrar en la cadena alimenticia, con el consecuente peligro para la salud y calidad de vida humana.

SOLUCIÓN DE PROBLEMAS

ES

ANOMALÍA	CAUSA	SOLUCIÓN
El cortasetos no funciona	<ul style="list-style-type: none"> El acumulador no está correctamente insertado en el cortasetos. 	<ul style="list-style-type: none"> Inserte correctamente el acumulador en el cortasetos.
	<ul style="list-style-type: none"> No hay contacto eléctrico entre el acumulador y el cortasetos. 	<ul style="list-style-type: none"> Retire el acumulador, compruebe los contactos eléctricos y vuelva a instalar el acumulador en su sitio.
	<ul style="list-style-type: none"> El acumulador está agotado. 	<ul style="list-style-type: none"> Recargue el acumulador.
	<ul style="list-style-type: none"> El acumulador se ha sobrecalentado. 	<ul style="list-style-type: none"> Retire el acumulador de la herramienta y espere a que se haya enfriado lo suficiente, hasta que su temperatura sea inferior a 67°C.
	<ul style="list-style-type: none"> El cortasetos se ha sobrecalentado. 	<ul style="list-style-type: none"> Suelte ambos interruptores para apagar el cortasetos y espere a que se haya enfriado lo suficiente, hasta que su temperatura sea inferior a 77°C.
	<ul style="list-style-type: none"> No ha pulsado simultáneamente ambos interruptores. 	<ul style="list-style-type: none"> Presione simultáneamente los interruptores situados en las empuñaduras delantera y trasera.
	<ul style="list-style-type: none"> La cuchilla está atascada. 	<ul style="list-style-type: none"> Retire el acumulador de la herramienta, elimine con cuidado la obstrucción y, a continuación, vuelva a instalar el acumulador y ponga en marcha la herramienta.
Vibración o ruido excesivo en la herramienta	<ul style="list-style-type: none"> Cuchillas secas u oxidadas. 	<ul style="list-style-type: none"> Lubrique las cuchillas como se indica en el apartado "LUBRICACIÓN DE LA CUCHILLA", en la de este manual.
	<ul style="list-style-type: none"> Cuchillas o espada dobladas. 	<ul style="list-style-type: none"> Instale una cuchilla o espada nueva. Póngase en contacto con el Departamento de atención al cliente de EGO para solicitar asistencia o la sustitución de la cuchilla.
	<ul style="list-style-type: none"> Dientes doblados o dañados. 	<ul style="list-style-type: none"> Instale una cuchilla nueva. Póngase en contacto con el Departamento de atención al cliente de EGO para solicitar la sustitución de la cuchilla.
	<ul style="list-style-type: none"> Tornillos de sujeción de la cuchilla sueltos. 	<ul style="list-style-type: none"> Apriete los tornillos de sujeción de la cuchilla. Utilizando una llave adecuada, gire el tornillo en sentido horario para apretarlo.

GARANTÍA

POLÍTICA DE GARANTÍA DE EGO

Visite la página web egopowerplus.com para conocer los términos y condiciones completos de la política de garantía de EGO.

LEIA TODAS AS INSTRUÇÕES!



LEIA E COMPREENDA O MANUAL DE INSTRUÇÕES

PT

⚠ Risco residual! As pessoas com dispositivos eletrônicos, como pacemakers, deverão consultar o seu médico antes de utilizarem este produto. A utilização de equipamento elétrico perto de um pacemaker pode causar interferências ou falhas no pacemaker.

⚠ AVISO: Para assegurar a segurança e bom funcionamento, todas as reparações e substituições deverão ser efetuadas por um técnico de reparação qualificado.

SÍMBOLOS DE SEGURANÇA

O intuito destes símbolos de segurança é chamar a sua atenção para possíveis perigos. Os símbolos de segurança e as explicações apresentadas com eles requerem a sua atenção e compreensão. Os avisos de segurança, só por eles, não eliminam o perigo.

As instruções e avisos dados não são substitutos para medidas de prevenção adequadas a acidentes.

⚠ AVISO: Certifique-se de que lê e compreende todas as instruções de segurança neste manual do utilizador, incluindo todos os símbolos de alerta de segurança, como “**PERIGO**”, “**AVISO**”, e “**CUIDADO**” antes de utilizar esta ferramenta. O não cumprimento de todas as instruções apresentadas abaixo pode resultar em choque elétrico, incêndio e/ou lesões pessoais graves.

SIGNIFICADO DOS SÍMBOLOS

SÍMBOLO DE ALERTA DE SEGURANÇA: Indica PERIGO, AVISO ou CUIDADO. Pode ser usado juntamente com outros símbolos ou imagens.

⚠ AVISO: O funcionamento de qualquer ferramenta elétrica pode dar origem ao ressalto de quaisquer objetos estranhos que podem atingir os olhos, podendo dar origem a sérias lesões oculares. Antes de começar a utilizar a ferramenta elétrica, utilize sempre óculos de segurança com proteções laterais e uma proteção completa para o rosto, quando necessário. Recomendamos a utilização de máscaras de segurança com visão panorâmica por cima dos óculos ou óculos de segurança padrão com proteção lateral.

INSTRUÇÕES DE SEGURANÇA

Esta página retrata e descreve os símbolos de segurança que podem aparecer neste produto. Leia, compreenda e siga todas as instruções na máquina antes de tentar montar e utilizar.

	Alerta de segurança	Indica um potencial perigo de lesões pessoais.
	Leia o manual do utilizador	De modo a reduzir os riscos de ferimentos, o utilizador tem de ler o manual do utilizador.
	Não exponha à chuva	AVISO: Não utilizar à chuva ou deixar no exterior enquanto chove.
	Comprimento da lâmina	O comprimento da lâmina
	Capacidade de corte	Máx. Capacidade de corte da lâmina
V	Volts	Tensão
A	Amperes	Corrente
Hz	Hertz	Frequência (ciclos por segundo)
W	Watt	Potência
min	Minutos	Tempo
	Corrente alternada	Tipo de corrente
	Corrente direta	Tipo ou característica da corrente
n_0	Velocidade sem carga	Velocidade de rotação, sem carga
... /min	Por minuto	Rotações por minuto
SPM	Batidas por minuto	Velocidade da batida sem carga

AVISOS DE SEGURANÇA GERAIS PARA FERRAMENTAS ELÉTRICAS

⚠ AVISO: Leia todas as instruções e avisos de segurança. O incumprimento dos avisos e instruções pode dar origem a choque elétrico, incêndio e/ou lesões graves.

Guarde todos os avisos e instruções para futura referência.

O termo “ferramenta elétrica” nos avisos refere-se às suas ferramentas elétricas ligadas à corrente elétrica (com fios) ou ferramentas elétricas que funcionam com bateria (sem fios).

SEGURANÇA NA ÁREA DE TRABALHO

- **Mantenha a área de trabalho limpa e bem iluminada.** As áreas desarrumadas ou escuras convidam a acidentes.
- **Não ligue ferramentas elétricas em atmosferas explosivas, tal como na presença de líquidos inflamáveis, gases ou pó.** As ferramentas elétricas produzem faíscas que podem inflamar o pó ou fumos.
- **Mantenha as crianças e pessoas que passem afastadas enquanto trabalhar com uma ferramenta elétrica.** As distrações podem fazer com que perca o controlo.

SEGURANÇA ELÉTRICA

- **As fichas da ferramenta elétrica têm de corresponder à tomada. Nunca modifique a ficha de algum modo. Não utilize qualquer adaptador com ferramentas elétricas com ligação à terra.** Fichas não modificadas e tomadas correspondentes reduzirão o risco de choque eléctrico.
- **Evite o contacto do corpo com superfícies ligadas à terra, tais como tubos, radiadores, bases e frigoríficos.** Existe um risco acrescido de choque eléctrico se o seu corpo estiver ligado à terra.
- **Não exponha a ferramenta elétrica à chuva ou a condições húmidas.** A entrada de água numa ferramenta elétrica aumentará o risco de choque eléctrico.
- **Não force o fio. Nunca utilize o fio para transportar, puxar ou desligar a ferramenta elétrica.** Mantenha o fio afastado do calor, óleo, arestas afiadas ou peças móveis. Fios danificados ou presos aumentam o risco de choque eléctrico.
- **Quando estiver a trabalhar com uma ferramenta elétrica ao ar livre, utilize uma extensão adequada para a utilização no exterior.** A utilização de um fio adequado ao exterior reduz o risco de choque eléctrico.
- **Se for inevitável trabalhar com uma ferramenta elétrica num local húmido, use um dispositivo de corrente residual.** A utilização de um DCR reduz o risco de choque eléctrico.

SEGURANÇA PESSOAL

- **Mantenha-se alerta, observe o que está a fazer e utilize o senso comum quando estiver a trabalhar com uma ferramenta elétrica. Não utilize uma ferramenta elétrica quando estiver cansado ou sob o efeito de drogas, álcool ou medicação.** Um momento de falta de atenção enquanto trabalha com ferramentas elétricas pode resultar em lesões pessoais graves.

- **Use equipamento pessoal de protecção. Utilize sempre protecção ocular.** O equipamento de segurança, tal como máscara de pó, calçado de segurança antiderrapante, capacete de segurança, ou protecção para os ouvidos, utilizado nas condições adequadas reduzirá a hipótese de lesões.
- **Evite os arranques sem intenção. Certifique-se de que o interruptor se encontra na posição desligada antes de ligar à alimentação e/ou bateria e antes de pegar ou transportar a ferramenta.** Transportar ferramentas elétricas com o dedo no interruptor ou alimentar ferramentas elétricas com o interruptor na posição de ligado convida a acidentes.
- **Retire qualquer chave de ajuste ou chave de fendas antes de ligar a energia.** Uma chave de fendas ou uma chave deixada ligada a uma peça rotativa da ferramenta elétrica pode resultar em lesão.
- **Não se estique. Mantenha sempre o apoio para os pés e o equilíbrio.** Isto permite um melhor controlo da ferramenta elétrica em situações inesperadas.
- **Vista-se adequadamente. Não utilize roupa larga ou jóias. Mantenha o cabelo, roupa e luvas afastados das partes móveis.** Roupas largas, jóias ou cabelo comprido podem ser apanhados pelas peças em movimento.
- **Se forem fornecidos dispositivos para ligação da extração de pó e das instalações de recolha, certifique-se de que estes estão ligados e são adequadamente utilizados.** A utilização de dispositivos de recolha de pó pode reduzir os perigos relacionados com o pó.

UTILIZAÇÃO E CUIDADOS COM A FERRAMENTA ELÉTRICA

- **Não force a ferramenta elétrica. Utilize a ferramenta elétrica correta para a utilização pretendida.** A ferramenta elétrica correta fará o trabalho melhor e de forma mais segura ao ritmo para o qual foi concebida.
- **Não utilize a ferramenta elétrica se o interruptor não a ligar e desligar.** Qualquer ferramenta elétrica que não possa ser controlada com o interruptor é perigosa e deve ser reparada.
- **Desligue a ficha da alimentação e/ou da bateria da ferramenta elétrica antes de fazer quaisquer ajustes, mudar de acessórios ou armazenar a ferramenta elétrica.** Tais medidas preventivas de segurança reduzem o risco de ligar a ferramenta elétrica acidentalmente.

- **Guarde as ferramentas eléctricas não utilizadas fora do alcance das crianças e não permita que pessoas não familiarizadas com a ferramenta eléctrica ou com estas instruções utilizem a ferramenta eléctrica.** As ferramentas eléctricas são perigosas nas mãos de utilizadores sem formação.
- **Proceda à manutenção das ferramentas eléctricas.** Verifique desalinhamentos ou bloqueios das peças móveis, quebra de peças e quaisquer outras condições que possam afectar o funcionamento da ferramenta eléctrica. Se estiver danificada, leve a ferramenta eléctrica para ser reparada antes da utilização. Muitos acidentes são provocados pela fraca manutenção das ferramentas eléctricas.
- **Mantenha as ferramentas de corte afiadas e limpas.** Ferramentas de corte devidamente mantidas e com arestas cortantes afiadas têm uma menor probabilidade de prender e são mais fáceis de controlar.
- **Use a ferramenta eléctrica, acessórios e brocas, etc., de acordo com estas instruções, tendo em conta as condições de trabalho e o trabalho a ser efectuado.** A utilização da ferramenta eléctrica para operações diferentes daquelas para que foi criada pode dar origem a uma situação perigosa.

UTILIZAÇÃO E CUIDADOS COM A FERRAMENTA A BATERIA

- **Recarregue apenas com o carregador especificado pelo fabricante.** Um carregador que seja adequado para um tipo de bateria pode criar um risco de incêndio quando usado com outra bateria.
- **Use ferramentas eléctricas apenas com as baterias especificamente designadas.** A utilização de outras baterias pode criar um risco de lesão e incêndio.
- **Quando não usar a bateria, mantenha-a afastada de outros objectos de metais, como cliques de papel, moedas, chaves, pregos, parafusos ou outros pequenos objectos de metal que possam fazer a ligação entre os dois terminais.** Colocar os terminais da bateria em curto-circuito pode dar origem a queimaduras ou fogo.
- **Sob condições abusivas, pode ser ejectado líquido da bateria; evite o contacto. Se ocorrer contacto acidentalmente, lave com água corrente.** Se o líquido entrar em contacto com os olhos, procure ajuda médica. O líquido ejectado da bateria pode provocar irritação ou queimaduras.

REPARAÇÃO

- **A manutenção da sua ferramenta eléctrica deverá ser sempre efectuada por pessoas qualificadas, utilizando apenas peças sobressalentes idênticas.** Tal irá assegurar que a segurança da ferramenta eléctrica é mantida.

AVISOS DE SEGURANÇA DO CORTA-SEBES

- **Mantenha todas as partes do corpo afastadas da lâmina de corte. Não retire o material cortado nem segure o material a ser cortado quando as lâminas se encontrarem em movimento. Certifique-se de que o interruptor está na posição de desligado quando retirar material bloqueado.** Um momento de falta de atenção enquanto trabalha com o corta-sebes pode resultar em lesões sérias.
- **Transporte o corta-sebes pela pega, com a lâmina de corte desligada.** Quando transportar ou guardar o corta-sebes, coloque sempre a cobertura do dispositivo de corte. Um manuseamento adequado do corta-sebes reduz a possibilidade de lesões devido às lâminas.
- **Segure a ferramenta eléctrica apenas através das pegas isoladoras, pois a lâmina de corte pode entrar em contacto com fios escondidos.** O contacto das lâminas de corte com um cabo "vivo" pode fazer com que as peças de metal expostas da ferramenta eléctrica deem um choque eléctrico ao operador.
- **Mantenha o fio afastado da área de corte.** Durante o funcionamento, o fio pode ficar escondido nos arbustos e ser acidentalmente cortado pela lâmina.
- **Verifique a sebe quanto a objetos estranhos antes da utilização do aparelho, como vedações de arame.**
- **Use o corta-sebes apenas com a protecção devidamente montada.** A utilização do corta-sebes sem a devida protecção pode dar origem a lesões pessoais sérias!
- **Use ambas as mãos quando utilizar o corta-sebes. Usar apenas uma mão pode causar uma perda de controlo e dar origem a lesões pessoais sérias.**

⚠ AVISO: Verifique a sebe quanto a objetos estranhos antes da utilização do aparelho, como vedações de arame. Utilize o corta-sebes apenas com a protecção devidamente montada. A utilização do corta-sebes sem a devida protecção pode dar origem a lesões pessoais sérias!

INSTRUÇÕES DE SEGURANÇA IMPORTANTES

- Não use corta-sebes de bateria à chuva.
- Não carregue a bateria à chuva ou em condições húmidas.

- Utilize apenas com as baterias e carregadores listados na imagem A.
- Não segure as lâminas de corte expostas ou extremidades de corte quando segurar o corta-sebes.
- Não utilize numa escada, telhado, árvore ou outro suporte instável. Uma base estável numa superfície sólida proporciona um melhor controlo do corta-sebes em situações inesperadas.
- Nunca permita que crianças utilizem o corta-sebes.
- Nunca retire nem altere os dispositivos de segurança. Verifique regularmente o seu funcionamento correto. Nunca faça nada que interfira com a função prevista de um equipamento de segurança ou para reduzir a proteção fornecida por um equipamento de segurança.
- Nunca utilize o corta-sebes sem as devidas proteções, placas ou outros dispositivos de segurança montados.
- Verifique se existem peças danificadas antes de utilizar o corta-sebes. Uma proteção ou outra peça danificada deverá ser cuidadosamente verificada para determinar se irá funcionar adequadamente e desempenhar a sua suposta função. Verifique o alinhamento de peças móveis, ligação de peças móveis, fragmentação de peças, montagem e qualquer outra condição que possa afetar o seu funcionamento. Um protetor ou qualquer outra peça que esteja danificada deverá ser reparada adequadamente ou substituída por um centro de reparações autorizado, exceto se for indicado de outro modo neste manual de instruções.
- Verifique os parafusos da lâmina e da estrutura do motor a intervalos frequentes quanto ao devido aperto. Inspeccione também visualmente a lâmina quanto a danos (ex: dobras, rachas e desgaste). Substitua a lâmina apenas por uma lâmina da EGO™.
- Substitua a lâmina se estiver dobrada ou danificada. Uma lâmina desequilibrada causa vibrações que podem danificar a unidade do motor ou causar lesões pessoais.
- Se a máquina começar a vibrar anormalmente, desligue o motor e verifique imediatamente as causas. A vibração é normalmente um aviso de problemas.
- O corta-sebes deverá ser usado para cortar hastes com uma espessura inferior a 33 mm.
- Trabalhe apenas à luz do dia ou com boa luz artificial.
- Retire ou desligue a bateria antes de reparar, limpar ou retirar material do corta-sebes.
- Não lave com uma mangueira. Evite que entre água no motor e nas ligações elétricas.
- Ao proceder à reparação, utilize apenas peças sobresselentes idênticas listadas neste manual. A utilização de peças que não vão de encontro às especificações do equipamento original pode dar origem a um desempenho inadequado e comprometer a segurança.
- Siga as instruções quanto a lubrificação e mudança de acessórios.
- Mantenha as peças secas, limpas e sem óleo ou gordura.
- Guarde estas instruções. Consulte com frequência e utilize estas instruções para instruir outras pessoas sobre a forma de utilizar este equipamento. Se emprestar este aparelho, entregue também as instruções, para evitar uma má utilização do produto e possíveis lesões.

GUARDE ESTAS INSTRUÇÕES!

ESPECIFICAÇÕES

Número do modelo		HT5100E	HT6500E
Tensão		56 V ---	56 V ---
Velocidade sem carga	Elevado	1600 /min	1600 /min
	Baixo	1400 /min	1400 /min
Temperatura de funcionamento recomendada:	0 °C - 40 °C		
Temperatura de funcionamento recomendada:	-20 °C - 70 °C		
Comprimento de corte	51 cm	65 cm	
Capacidade de corte	33 mm	33 mm	
Peso (sem a bateria)	3,6 kg	3,8 kg	
Nível de potência do som medido L_{WA}	90 dB(A) K=1,55 dB(A)	91,45 dB(A) K=1,08 dB(A)	
Nível da pressão do som na posição do operador L_{PA} K=2,5 dB(A)	81,5 dB(A)	81,4 dB(A)	
Nível de potência do som garantido L_{WA} (medido de acordo com 2000/14/CE)	92 dB(A)	93 dB(A)	
Vibração a_h K=1,5 m/s ²	Pega dianteira	3,369 m/s ²	5,313 m/s ²
	Pega traseira	1,876 m/s ²	3,115 m/s ²

- O valor total declarado da vibração foi medido de acordo com um método de teste padrão e pode ser usado para comparar duas ferramentas;

- O valor total declarado da vibração também pode ser usado numa avaliação preliminar da exposição.

AVISO: A emissão de vibrações durante a utilização da ferramenta elétrica pode diferir do valor declarado em que a ferramenta é usada. De modo a proteger o utilizador, este deverá utilizar luvas e proteção auditiva nas condições atuais de utilização.

PT

LISTA DE PEÇAS

NOME DA PEÇA	QUANTIDADE
Corta-sebes	1
Proteção	1
Manual do utilizador	1

DESCRIÇÃO

CONHEÇA O SEU CORTA-SEBES (Fig. A)

1. Botão de libertação da bateria
2. Pega traseira
3. Gatilho de desbloqueio
4. Alavanca do interruptor traseira
5. Manípulo de ajuste de velocidade
6. Pega dianteira
7. Alavanca do interruptor dianteira
8. Protetor de mãos
9. Proteção da lâmina
10. Lâmina
11. Protetor da ponta
12. Aba
13. Contactos elétricos
14. Ranhura de montagem
15. Mecanismo de ejeção
16. Fixação da pega
17. Estrutura do motor
18. Proteção

AVISO: Este produto foi enviado completamente montado. O protetor de mãos nunca deve ser removido durante a utilização. Depois de danificado, substitua-o imediatamente por um técnico de reparação qualificado.

AVISO: A utilização segura deste produto requer uma compreensão da informação na ferramenta e neste manual do utilizador, bem como o conhecimento do trabalho que vai efetuar. Antes de utilizar este produto, familiarize-se com as características de funcionamento e regras de segurança.

FUNCIONAMENTO

AVISO: Não permita que a familiarização com este produto o torne descuidado. Lembre-se de que uma fracção de segundo de desatenção é o suficiente para sofrer uma lesão séria.

AVISO: Use sempre protecção ocular com protecções laterais, juntamente com a protecção auditiva. Se não o fizer, pode apanhar com objectos nos olhos, dando origem a possíveis lesões sérias.

AVISO: Para evitar a ligação accidental que pode provocar ferimentos pessoais graves, retire sempre a bateria da ferramenta quando montar as peças, fizer ajustes, proceder à limpeza ou quando não em uso.

AVISO: Não utilize quaisquer acessórios para além dos recomendados pela EGO™. A utilização de acessórios que não sejam recomendados pode dar origem a lesões pessoais sérias.

Antes de cada utilização, verifique se há peças soltas, danificadas ou em falta, tais como parafusos, porcas, tampões, etc. Aperte bem todos os fixadores e tampões e não utilize este produto, sem substituir primeiro todas as peças danificadas ou em falta.

APLICAÇÃO

Pode utilizar este produto para cortar sebes, arbustos e moitas com um diâmetro de ramo inferior a Ø33 mm.

AVISO: A ferramenta só deve ser utilizada para o seu propósito destinado. Qualquer outra utilização será considerada má utilização.

INSTALAR/RETIRAR A BATERIA

Carregue antes da primeira utilização.

Para instalar (Fig. B)

Alinhe as abas da bateria com as ranhuras de fixação e empurre a bateria para baixo até ouvir um “clique”.

Para retirar (Fig. C)

Prima o botão de libertação da bateria e puxe a bateria para fora.

AVISO: Certifique-se sempre da localização dos seus pés, de crianças ou animais quando premir o botão de libertação da bateria. Se a bateria cair, podem ocorrer lesões sérias. NUNCA retire a bateria num local elevado.

LIGAR/DESLIGAR O CORTA-SEBES

Antes de colocar em funcionamento, retire o protetor da lâmina e segure o corta-sebes com ambas as mãos, com uma mão na pega traseira e a outra na pega dianteira. Depois verifique se existe equilíbrio, posicionamento vertical e uma distância de corte apropriada.

AVISO: Mantenha sempre ambas as mãos nas pegas do corta-sebes. Nunca segure arbustos com uma mão e o corta-sebes com a outra. Não seguir este aviso pode dar origem a lesões pessoais sérias.

Para ligar

Prima o gatilho de desbloqueio com a palma da mão e, depois, levante a alavanca do interruptor traseira. Com a alavanca do interruptor traseira premida, continue a pressionar a alavanca do interruptor dianteira para ligar.

Para parar

Solte as alavancas do interruptor para parar.

AVISO: Ambas as alavancas de interruptor têm de ser premidas para que o corta-sebes comece a funcionar.

UTILIZAR O CORTA-SEBES

AVISO: Se a lâmina ficar presa em qualquer fio elétrico, NÃO TOQUE NA LÂMINA! PODE ESTAR SOB TENSÃO E SER MUITO PERIGOSO! Continue a segurar o corta-sebes pela pega traseira isolada ou pouse-o afastado de si, de forma segura. Desligue a alimentação elétrica do fio danificado antes de tentar libertar a lâmina do fio. Não seguir este aviso pode dar origem a lesões pessoais sérias ou possibilidade de morte.

AVISO: Para evitar lesões pessoais sérias, mantenha as mãos afastadas das lâminas. Não tente retirar o material de corte nem segure o material a ser cortado quando as lâminas se encontrarem em movimento. Certifique-se de que as lâminas pararam por completo e de que retira a bateria antes de limpar material preso nas lâminas. Não segure as lâminas de corte expostas ou extremidades de corte quando pegar ou segurar a unidade.

AVISO: Limpe a área a cortar antes de cada utilização. Retire todos os objetos, como fios, luzes, arames ou linhas soltas, que possam ficar presos na lâmina de corte e criar um risco de lesões pessoais sérias.

AVISO: Evite cortar demasiado de uma só vez ou através de muitos arbustos. Isso pode fazer com que as lâminas prendam e abrandem, reduzindo a eficiência de corte.

AVISO: Para um novo crescimento, um desbaste amplo é adequado para as hastes que alimentam diretamente a lâmina de corte. Para um crescimento mais antigo, um movimento de serra é bom para cortar as hastes mais grossas. Uma serra manual ou serra de poda é sugerida para cortar primeiro as hastes mais largas.

Corte superior

Utilize um movimento de desbaste amplo. Uma ligeira inclinação para baixo das lâminas de corte, na direção do movimento, oferece um melhor resultado de corte. Para um melhor efeito de corte, também pode utilizar o aparador para guiar o nível da sebe, como apresentado na Fig. D.

Corte lateral

Quando cortar as partes laterais da sebe, comece do fundo e vá cortando para cima, como apresentado na Fig. E1 ou Fig. E2.

Corte radical

A pega traseira do corta-sebes pode ser definida em cinco posições ($0^\circ/\pm 45^\circ/\pm 90^\circ$) puxando para fora a aba (Fig. F1 a Fig F5). Se for necessário um corte radical, defina a pega traseira para $\pm 45^\circ$ (Fig. F2 e F4) para cortar.

AVISO: Quando a pega for ajustada, a lâmina de corte não deve estar em funcionamento.

AVISO: Em funcionamento, a pega deve estar sempre voltada para cima independentemente do direcionamento do corta-sebes.

Protetor da ponta

O protetor da ponta (Fig. G) é utilizado para proteger a extremidade exterior da lâmina.

Proteção da lâmina

A parte exterior das lâminas tem a forma de protetores de lâmina (Fig. H).

H-1	Lâmina
H-2	Proteção da lâmina

AVISO: Verifique sempre se o protetor da lâmina não está danificado ou torto. Substitua-o se estiver dobrado ou danificado.

MANUTENÇÃO

⚠️ AVISO: Quando fizer reparações, utilize apenas peças sobressalentes idênticas. A utilização de outras peças pode criar um perigo ou provocar danos no produto. Para assegurar a segurança e bom funcionamento, todas as reparações deverão ser efetuadas por um técnico de reparação qualificado.

⚠️ AVISO: Para evitar lesões pessoais sérias, retire sempre a bateria do produto quando limpar ou efetuar qualquer manutenção.

LIMPEZA

- Use uma escova suave para retirar o lixo das entradas de ar e da lâmina de corte.
- Para retirar a resina e outros resíduos colantes, pulverize as lâminas com solvente para resina. Deixe o motor funcionar durante uns instantes para que o solvente seja distribuído uniformemente.
- Limpe a superfície com um pano seco.

⚠️ AVISO: Nunca utilize água para limpar o seu equipamento. Evite utilizar solventes quando limpa peças plásticas. Os plásticos são mais suscetíveis a danos de vários tipos de solventes comerciais. Utilize panos de limpeza limpos para retirar sujidades, pó, óleo, gordura, etc.

AFIAR A LÂMINA DE CORTE

1. Retire a bateria do corta-sebes.
2. Fixe o conjunto da lâmina num torno e lime a superfície de corte exposta de cada dente da lâmina. Retire o mínimo de material possível.
3. Retire o corta-sebes do torno e ajuste a lâmina não limada exposta. Repita os procedimentos acima, até todos os dentes da lâmina terem sido limados.

AVISO: Não utilize o corta-sebes com lâminas de corte que não estejam afiadas ou que estejam danificadas. Isso pode causar sobrecarga e resultar em resultados de corte insatisfatórios.

LUBRIFICAR A LÂMINA

Para uma utilização facilitada e um maior tempo de vida da lâmina, lubrifique a lâmina do corta-sebes com óleo para máquinas leves antes e após cada utilização. Retire a bateria e coloque o corta-sebes numa superfície plana. Aplique óleo nas extremidades da lâmina superior.

AVISO: Para um período de uso alargado, lubrifique a lâmina durante o funcionamento de corte.

⚠️ AVISO: Não lubrifique enquanto o corta-sebes estiver a funcionar.

LUBRIFICAR A CAIXA DOS CARRETOS

Para um melhor funcionamento e maior tempo de vida útil, lubrifique a caixa dos carretos do corta-sebes com um lubrificante especial (5-6 g no #1 e 10-12 g no #2 de cada vez) a cada 25 horas de funcionamento.

NOTA: Contacte o seu reparador ego local para obter assistência.

O lubrificante especial deverá ir ao encontro dos seguintes requisitos:

1. Pertence ao grau de penetração cónica DIN51818: NLGI-2.
2. Composto por espessantes de poliureia e óleo lubrificante sintético.
3. Excelente arranque a baixas temperaturas, EP, corte mecânico, propriedades de resistência à abrasão e estabilidade oxidativa.
4. A temperatura de funcionamento tem de se encontrar entre os -40 °C e os 180 °C.

TRANSPORTE E ARMAZENAMENTO

- Coloque sempre o protetor da lâmina antes de guardar ou transportar o corta-sebes. Tenha cuidado para evitar os dentes afiados da lâmina.
- Limpe bem o corta-sebes antes de o guardar. Guarde o corta-sebes no interior, num local seco e inacessível a crianças.
- Mantenha-o afastado de agentes corrosivos, como químicos de jardinagem e sais de degelo.

⚠️ AVISO: As lâminas são afiadas. Quando manusear o conjunto da lâmina, utilize luvas de proteção antiderrapantes e resistentes. Não coloque a mão ou os dedos entre as lâminas ou em qualquer posição em que possam ficar presos ou ser cortados. NUNCA toque nas lâminas nem repare a unidade com a bateria colocada.

Proteção do ambiente



Não elimine o equipamento elétrico, o carregador da bateria e as baterias/baterias recarregáveis juntamente com o lixo doméstico comum!

De acordo com a norma europeia 2002/19/UE, o equipamento elétrico e eletrónico que deixe de ser usado e de acordo com a norma europeia 2006/66/CE, as baterias gastas ou defeituosas têm de ser recolhidas em separado.

Se os equipamentos elétricos forem eliminados em aterros ou lixeiras, substâncias perigosas podem vaziar para os lençóis freáticos e entrar na cadeia de alimentação, danificando a sua saúde e bem-estar.

RESOLUÇÃO DE PROBLEMAS

PT

PROBLEMA	CAUSA	SOLUÇÃO
O corta-sebes não funciona	<ul style="list-style-type: none"> ■ A bateria não foi colocada no corta-sebes. 	<ul style="list-style-type: none"> ■ Fixe a bateria no corta-sebes.
	<ul style="list-style-type: none"> ■ Não existe contacto elétrico entre o corta-sebes e a bateria. 	<ul style="list-style-type: none"> ■ Retire a bateria, verifique os contactos e volte a instalar a bateria.
	<ul style="list-style-type: none"> ■ A bateria está gasta. 	<ul style="list-style-type: none"> ■ Carregue a bateria.
	<ul style="list-style-type: none"> ■ A bateria está demasiado quente. 	<ul style="list-style-type: none"> ■ Retire a bateria da ferramenta e deixe-a arrefecer até que a temperatura atinja menos de 67 °C.
	<ul style="list-style-type: none"> ■ O corta-sebes está demasiado quente. 	<ul style="list-style-type: none"> ■ Liberte ambas as alavancas do interruptor e deixe o corta-sebes arrefecer até que a temperatura atinja menos de 77 °C.
	<ul style="list-style-type: none"> ■ As duas alavancas do interruptor não foram premidas em simultâneo. 	<ul style="list-style-type: none"> ■ Prima as alavancas do interruptor, na pega dianteira e traseira, em simultâneo.
	<ul style="list-style-type: none"> ■ A lâmina está presa. 	<ul style="list-style-type: none"> ■ Retire a bateria da ferramenta, retire a obstrução com cuidado e depois volte a inserir a bateria e a reiniciar a ferramenta.
Vibração excessiva ou ruído	<ul style="list-style-type: none"> ■ Lâminas secas ou corroídas. 	<ul style="list-style-type: none"> ■ Lubrifique as lâminas, tendo em conta a secção "LUBRIFICAR A LÂMINA" deste manual.
	<ul style="list-style-type: none"> ■ As lâminas ou suporte das lâminas está dobrado. 	<ul style="list-style-type: none"> ■ Substitua por uma lâmina ou suporte novo. Contacte o serviço de apoio ao cliente da EGO para substituir a lâmina ou suporte.
	<ul style="list-style-type: none"> ■ Dentes dobrados ou danificados. 	<ul style="list-style-type: none"> ■ Coloque uma lâmina nova. Contacte o serviço de apoio ao cliente da EGO para efetuar a substituição da lâmina.
	<ul style="list-style-type: none"> ■ Parafusos da lâmina soltos. 	<ul style="list-style-type: none"> ■ Aperte os parafusos da lâmina. Com uma chave, rode o parafuso no sentido dos ponteiros do relógio para apertar.

GARANTIA

POLÍTICA DE GARANTIA EGO

Por favor, visite o website egopowerplus.com para saber todos os termos e condições da política de garantia EGO.

LEGGERE TUTTE LE ISTRUZIONI!



LEGGERE E COMPRENDERE LE ISTRUZIONI

⚠️ Rischi residui! Le persone portatrici di dispositivi elettronici, ad esempio pacemaker, devono consultare il proprio medico prima di usare questo prodotto. L'utilizzo di apparecchi elettrici in prossimità di pacemaker cardiaci comporta il rischio di interferenze o malfunzionamento del pacemaker.

⚠️ AVVERTENZA! Per garantire sicurezza e affidabilità, tutte le riparazioni e sostituzioni devono essere eseguite da un tecnico qualificato.

SIMBOLI DI SICUREZZA

Lo scopo dei simboli di sicurezza è attirare l'attenzione dell'operatore su possibili pericoli. I simboli di sicurezza e le relative spiegazioni richiedono la massima attenzione e comprensione da parte dell'operatore. Le avvertenze espresse dai simboli, da sole, non eliminano tutti i rischi.

Le istruzioni e le avvertenze non sostituiscono le adeguate misure di prevenzione contro gli incidenti.

⚠️ AVVERTENZA! Accertarsi di aver letto e compreso tutte le istruzioni di sicurezza in questo manuale, inclusi tutti i simboli di avvertenza come **"PERICOLO"**, **"AVVERTENZA"** e **"ATTENZIONE"**, prima di usare questo apparecchio. Il mancato rispetto di tutte le istruzioni riportate di seguito comporta il rischio di scossa elettrica, incendio e/o lesioni gravi.

SIGNIFICATO DEI SIMBOLI

AVVERTENZA DI SICUREZZA: indica PERICOLO, AVVERTENZA o ATTENZIONE. Può essere usato in combinazione con altri simboli.

⚠️ AVVERTENZA! L'uso di apparecchi elettrici può causare il lancio di oggetti estranei verso l'operatore, con il rischio di gravi lesioni agli occhi. Durante l'uso dell'apparecchio, indossare sempre occhiali protettivi o occhiali di sicurezza con protezioni laterali e, se necessario, una maschera facciale. Si consiglia di indossare una maschera di sicurezza con ampio campo visivo sopra gli occhiali o gli occhiali di sicurezza standard con protezioni laterali.

ISTRUZIONI DI SICUREZZA

Questa pagina illustra e descrive i simboli di sicurezza che possono comparire sul prodotto. Leggere, comprendere e seguire tutte le istruzioni sull'apparecchio prima di tentare di assemblarlo e ripararlo.

	Avvertenza di sicurezza	Indica un potenziale rischio di infortunio.
	Leggere il manuale di istruzioni	Per ridurre il rischio di infortunio, l'utente deve leggere il manuale di istruzioni.
	Non esporre alla pioggia	AVVERTENZA! Non usare l'apparecchio in caso di pioggia e non lasciarlo all'aperto quando piove.
	Lunghezza della lama	Lunghezza della lama
	Capacità di taglio	Profondità di taglio max. della lama
V	Volt	Voltaggio
A	Ampere	Corrente
Hz	Hertz	Frequenza (cicli al secondo)
W	Watt	Potenza
min	Minuti	Tempo
	Corrente alternata	Tipo di corrente
	Corrente continua	Tipo o caratteristica della corrente
n_0	Velocità a vuoto	Velocità di rotazione, senza carico
... /min	Al minuto	Rotazioni al minuto
SPM	Colpi al minuto	Velocità di taglio, senza carico

AVVERTENZE DI SICUREZZA GENERALI PER TUTTI GLI UTENSILI ELETTRICI

⚠️ AVVERTENZA! Leggere tutte le istruzioni e le avvertenze di sicurezza. Il mancato rispetto delle avvertenze e istruzioni comporta il rischio di scossa elettrica, incendio e/o gravi infortuni.

Conservare tutte le avvertenze e le istruzioni per riferimento futuro.

Il termine "utensile elettrico" nelle avvertenze si riferisce a un utensile elettrico alimentato da presa di corrente (con cavo) o da batterie (senza cavo).

SICUREZZA DELL'AREA DI LAVORO

- **Mantenere l'area di lavoro pulita e ben illuminata.** Aree ingombre e ombreggiate favoriscono gli incidenti.
- **Non usare gli utensili elettrici in atmosfere esplosive, ad esempio in presenza di liquidi, gas o polveri infiammabili.** Gli utensili elettrici producono scintille suscettibili di dare fuoco a polveri o vapori.
- **Tenere eventuali altre persone e bambini lontane durante l'uso di un utensile elettrico.** Le distrazioni comportano il rischio di perdita di controllo.

SICUREZZA ELETTRICA

- **La spina dell'utensile elettrico deve essere adeguata alla presa in cui verrà inserita. Non modificare la spina in alcun modo. Non usare adattatori con utensili elettrici messi a terra o a massa.** Spine non modificate e prese adatte riducono il rischio di scossa elettrica.
- **Evitare il contatto del corpo con superfici messe a terra o a massa, ad esempio tubi, radiatori, fornelli e frigoriferi.** Il rischio di scossa elettrica aumenta se il proprio corpo è messo a terra o a massa.
- **Non esporre gli utensili elettrici a pioggia o condizioni di umidità.** La penetrazione di acqua all'interno di un utensile elettrico aumenta il rischio di scossa elettrica.
- **Non danneggiare il cavo di alimentazione. Non usare mai il cavo per trasportare, tirare o scollegare l'utensile elettrico. Tenere il cavo al riparo da calore, olio, bordi taglienti o parti in movimento.** Cavi danneggiati o aggrovigliati aumentano il rischio di scossa elettrica.
- **Durante l'uso di un utensile elettrico all'aperto, usare una prolunga progettata appositamente per ambienti esterni.** L'uso di un cavo adatto agli ambienti esterni riduce il rischio di scossa elettrica.
- **Se è necessario usare l'utensile elettrico in un ambiente umido, la rete di alimentazione deve essere protetta da un interruttore differenziale (RCD).** L'uso di un interruttore differenziale (RCD) riduce il rischio di scossa elettrica.

SICUREZZA PERSONALE

- **Rimanere vigili, prestare attenzione a ciò che si sta facendo e usare il buon senso durante l'uso dell'utensile elettrico. Non usare l'utensile elettrico se si è stanchi o sotto l'effetto di droghe, alcol o medicinali.** Anche un solo momento di disattenzione durante l'uso dell'utensile elettrico comporta il rischio di lesioni gravi.
- **Indossare attrezzatura di protezione. Indossare sempre protezioni per gli occhi.** Se le condizioni lo richiedono, indossare anche maschere antipolveri, calzature antiscivolo, caschi o protezioni per le orecchie per ridurre il rischio di infortunio.
- **Prevenire l'avvio accidentale. Verificare che l'interruttore sia in posizione di spegnimento prima di raccogliere, trasportare o collegare l'utensile elettrico alla rete elettrica e/o al gruppo batteria.** Trasportare un utensile elettrico con il dito sull'interruttore o inserire il gruppo batteria quando l'interruttore è in posizione di accensione favorisce gli incidenti.
- **Rimuovere eventuali chiavi di serraggio prima di accendere l'utensile elettrico.** Una chiave di serraggio rimasta inserita in un elemento mobile dell'utensile elettrico può provocare infortuni.
- **Non allungarsi eccessivamente. Tenere i piedi a contatto con il pavimento e mantenere sempre l'equilibrio.** Ciò permette di avere un maggiore controllo dell'utensile elettrico in caso di imprevisti.
- **Vestirsi adeguatamente. Non indossare indumenti ampi o gioielli. Tenere i capelli, gli indumenti e le mani lontano dalle parti mobili.** Indumenti ampi, gioielli o capelli lunghi possono rimanere impigliati nelle parti in movimento.
- **Se sono presenti dispositivi di aspirazione e trattenimento delle polveri, assicurarsi che siano collegati e usati correttamente.** Tali dispositivi possono ridurre i rischi legati alle polveri.

USO E MANUTENZIONE DEGLI UTENSILI ELETTRICI

- **Non forzare l'utensile elettrico. Usare l'utensile elettrico adatto al lavoro da effettuare.** L'utensile elettrico adatto sarà più efficace e sicuro se usato al regime per cui è stato progettato.
- **Non usare l'utensile elettrico se l'interruttore non funziona correttamente.** Gli utensili elettrici che non possono essere accesi e spenti correttamente sono pericolosi e devono essere riparati.
- **Scollegare la spina dalla presa di corrente e/o rimuovere il gruppo batteria prima di regolare o riporre l'utensile elettrico o di sostituire gli accessori.** Tale misura di sicurezza riduce il rischio di avvio accidentale dell'utensile elettrico.

- **Riporre gli utensili elettrici fuori dalla portata dei bambini e non consentirne l'uso a persone che non lo sanno usare o non hanno letto queste istruzioni.** Gli utensili elettrici diventano strumenti pericolosi nelle mani di persone che non sanno usarli.
- **Mantenere gli utensili elettrici in buono stato.** Verificare che le parti mobili non siano disallineate o piegate e che non siano presenti danni o altre condizioni che potrebbero compromettere il funzionamento dell'utensile elettrico. Se danneggiato, fare riparare l'utensile elettrico prima di usarlo. Molti incidenti sono dovuti a una cattiva manutenzione degli utensili elettrici.
- **Mantenere gli utensili elettrici puliti e affilati.** Gli utensili di taglio mantenuti puliti e affilati hanno meno probabilità di subire malfunzionamenti e sono più facili da controllare.
- **Usare l'utensile elettrico, gli accessori, le punte, ecc. conformemente a queste istruzioni, tenendo conto delle condizioni di lavoro e delle operazioni da eseguire.** L'uso dell'utensile elettrico per operazioni diverse da quelle per cui è progettato può comportare situazioni di pericolo.

USO E MANUTENZIONE DELLA BATTERIA

- **Ricaricare la batteria esclusivamente con il caricabatteria specificato dal costruttore.** Un caricabatteria adatto a un tipo di gruppo batteria può comportare il rischio di incendio se usato con un altro gruppo batteria.
- **Usare esclusivamente gruppi batteria progettati specificamente per questo utensile elettrico.** L'uso di altri gruppi batteria comporta il rischio di incendio e infortunio.
- **Quando la batteria non è in uso, tenerla lontana da piccoli oggetti metallici, ad esempio graffette, monete, chiavi, chiodi, viti ecc. poiché potrebbero creare un collegamento tra i due terminali.** L'eventuale cortocircuito dei terminali della batteria comporta il rischio di incendio o di ustioni.
- **L'utilizzo improprio dell'utensile elettrico può causare fuoriuscite di liquido dalla batteria: evitare il contatto con tale liquido. In caso di contatto accidentale, lavare con acqua. Se il liquido entra in contatto con gli occhi, consultare un medico.** Il liquido fuoriuscito dalla batteria può causare irritazioni o ustioni.

RIPARAZIONI

- **Affidare la riparazione dell'utensile elettrico a tecnici qualificati usando esclusivamente parti di ricambio identiche.** Ciò salvaguarderà la sicurezza dell'utensile elettrico.

AVVERTENZE DI SICUREZZA SPECIFICHE PER TAGLIASIEPI

- **Mantenere tutte le parti del corpo lontane dalla lama di taglio. Non rimuovere il materiale tagliato e non tenere il materiale da tagliare quando le lame sono in movimento. Verificare che l'interruttore sia in posizione di spegnimento durante la rimozione di materiale incastrato.** Anche un solo momento di disattenzione durante l'uso del tagliasiepi comporta il rischio di lesioni gravi.
- **Trasportare il tagliasiepi esclusivamente tramite l'impugnatura e con la lama di taglio arrestata.** Durante il trasporto o la conservazione del tagliasiepi, inserire sempre il coprilama. La corretta manipolazione del tagliasiepi riduce il rischio di lesioni dovute alla lama di taglio.
- **Tenere il tagliasiepi esclusivamente tramite le superfici di presa, perché la lama di taglio può entrare il contatto con cavi elettrici nascosti.** Se entra in contatto con un cavo sotto tensione, la lama di taglio può trasmettere la corrente alle parti metalliche dell'utensile elettrico, comportando il rischio di scossa elettrica.
- **Tenere il cavo lontano dall'area di taglio.** Durante l'uso, il cavo può nascondersi tra i cespugli e venire accidentalmente tagliato dalla lama.
- Controllare che la siepe sia priva di oggetti estranei, ad esempio fili metallici.
- Usare il tagliasiepi esclusivamente con i dispositivi di protezione assemblati correttamente. L'uso del tagliasiepi senza i dispositivi di protezione comporta il rischio di lesioni gravi!
- **Tenere il tagliasiepi con entrambe le mani durante l'uso. Tenerlo con una sola mano può causarne la perdita di controllo con il conseguente rischio di lesioni gravi.**

⚠ AVVERTENZA! Controllare che la siepe sia priva di oggetti estranei, ad esempio fili metallici.

Usare il tagliasiepi esclusivamente con i dispositivi di protezione assemblati correttamente. L'uso del tagliasiepi senza i dispositivi di protezione comporta il rischio di lesioni gravi!

ISTRUZIONI DI SICUREZZA IMPORTANTI

- Non usare il tagliasiepi a batteria sotto la pioggia.
- Non ricaricare il gruppo batteria sotto la pioggia o in luoghi umidi.

- Usare esclusivamente con i gruppi batteria e i caricabatteria elencati in fig. A.
- Non afferrare la parte esposta della lama di taglio o i bordi taglienti quando si raccoglie o si usa il tagliasepi.
- Non usare il tagliasepi su scale, tetti, alberi o altri supporti instabili. Un appoggio stabile su una superficie solida garantisce un miglior controllo del tagliasepi in situazioni inaspettate.
- Non permettere mai ai bambini di usare il tagliasepi.
- Non rimuovere o alterare i dispositivi di sicurezza. Controllare con regolarità che funzionino correttamente. Non effettuare mai operazioni suscettibili di interferire con la destinazione d'uso di un dispositivo di sicurezza o ridurre il grado di protezione fornito.
- Non usare mai il tagliasepi se i dispositivi di protezione o di sicurezza e le coperture non sono installate correttamente.
- Controllare che il tagliasepi non presenti componenti danneggiati prima di usarlo. Se un dispositivo di sicurezza o un altro componente ha subito danni, ispezionarlo con attenzione per verificare che funzioni correttamente ed esegua la sua funzione. Verificare che le parti mobili non siano disallineate o piegate, che il telaio e i componenti non siano danneggiati e che non siano presenti altre condizioni suscettibili di compromettere il funzionamento del tagliasepi. Se un dispositivo di protezione o un componente è danneggiato, deve essere riparato o sostituito da un centro di assistenza autorizzato, tranne se altrimenti specificato in questo manuale.
- Controllare a brevi intervalli che la lama e i bulloni di fissaggio del motore siano serrati correttamente. Inoltre, ispezionare visivamente la lama per verificare l'assenza di danni (verificare ad esempio che non sia piegata, incrinata o usurata) Sostituire la lama esclusivamente con una lama EGO™.
- Sostituire la lama se è piegata o incrinata. Una lama non bilanciata causa vibrazioni suscettibili di danneggiare il motore o causare lesioni.
- Se l'apparecchio inizia a vibrare in modo anomalo, arrestare il motore e individuare immediatamente la causa. La vibrazione è generalmente sintomo di un problema.
- Questo tagliasepi deve essere usato per tagliare ceppi di spessore inferiore a (33cm).
- Usare l'apparecchio solo alla luce del giorno o con una buona illuminazione artificiale.
- Rimuovere o scollegare la batteria prima di riparare, pulire o rimuovere materiale dal tagliasepi.
- Non pulire l'apparecchio con tubi per innaffiare; evitare le infiltrazioni d'acqua nel motore e nelle connessioni elettriche.
- Per la riparazione dell'apparecchio, usare esclusivamente le parti di ricambio elencate in questo manuale. L'uso di parti che non soddisfano le specifiche delle parti originali possono compromettere le prestazioni e la sicurezza del tagliasepi
- Seguire le istruzioni relative alla lubrificazione e alla sostituzione degli accessori.
- Tenere le impugnature asciutte, pulite e prive di olio e grasso.
- Conservare queste istruzioni. Consultarle frequentemente e usarle per istruire gli altri utenti dell'apparecchio. Se si presta questo apparecchio ad altre persone, allegare anche queste istruzioni per evitare l'uso errato dell'apparecchio e il rischio di infortunio.

CONSERVARE QUESTE ISTRUZIONI!

SPECIFICHE TECNICHE

Numero modello	HT5100E	HT6500E	
Voltaggio	56 V ---	56 V ---	
Velocità a vuoto	Alta	1600 /min	1600 /min
	Bassa	1400 /min	1400 /min
Temperatura di funzionamento raccomandata:	da 0°C a 40°C		
Temperatura di conservazione raccomandata:	da -20°C a 70°C		
Lunghezza di taglio	51 cm	65 cm	
Profondità di taglio	33 mm	33 mm	
Peso (senza gruppo batteria)	3,6 kg	3,8 kg	
Livello di potenza sonora misurato L_{WA}	90 dB(A) K=1,55 dB(A)	91,45 dB(A) K=1,08 dB(A)	
Livello di pressione sonora a livello dell'operatore L_{PA}	81,5 dB(A) K=2,5 dB(A)	81,4 dB(A)	

Livello di potenza sonora garantito L_{WA} (misurato conformemente a 2000/14/EC)		92 dB(A)	93 dB(A)
Vibrazioni a_h $K=1,5 \text{ m/s}^2$	Impugnatura anteriore	3,369 m/s^2	5,313 m/s^2
	Impugnatura posteriore	1,876 m/s^2	3,115 m/s^2

IT

Il valore totale di vibrazioni indicato è stato misurato tramite il metodo di collaudo standard e può essere utilizzato per confrontare l'apparecchio con altri prodotti analoghi.

- Il valore totale di vibrazioni indicato può essere utilizzato anche per una valutazione preliminare dei livelli di esposizione.

ATTENZIONE! L'emissione di vibrazioni durante l'uso effettivo dell'apparecchio può variare rispetto al valore indicato in base a come viene utilizzato l'utensile. Per proteggersi, l'operatore deve indossare guanti e dispositivi di protezione per le orecchie in base alle reali condizioni d'uso.

CONTENUTO DELLA CONFEZIONE

PART NAME	QUANTITY
Tagliasiepi	1
Schermo	1
Manuale di istruzioni	1

DESCRIZIONE

DESCRIZIONE DEL TAGLIASIEPI (Fig. A)

- Pulsante di rilascio della batteria
- Impugnatura posteriore
- Leva di sbloccaggio
- Interruttore a leva posteriore
- Manopola di regolazione della velocità
- Impugnatura anteriore
- Interruttore a leva anteriore
- Paramano
- Coprilama
- Lama
- Protezione della punta
- Dispositivo di chiusura

- Contatti elettrici
- Scanalatura di assemblaggio
- Meccanismo di espulsione
- Blocco impugnatura
- Vano motore
- Schermo

AVVERTENZA! Questo prodotto è uscito dalla fabbrica completamente assemblato. Non rimuovere mai il paramano durante l'uso. Se danneggiato, farlo sostituire immediatamente da un tecnico qualificato.

AVVERTENZA! L'uso sicuro di questo prodotto richiede la comprensione delle informazioni riportate sull'apparecchio e in questo manuale e la conoscenza del progetto di lavoro. Prima di usare l'apparecchio, familiarizzarsi con tutte le funzioni operative e le norme di sicurezza.

FUNZIONAMENTO

AVVERTENZA! La familiarità con questo apparecchio non deve rendere l'operatore disattento. Anche un solo momento di disattenzione comporta il rischio di lesioni gravi.

AVVERTENZA! Indossare sempre protezioni per gli occhi con protezioni laterali e protezioni per le orecchie. Il mancato rispetto di questa istruzione comporta il rischio di oggetti proiettati verso gli occhi dell'operatore e altre lesioni gravi.

AVVERTENZA! Per evitare l'avvio accidentale e il conseguente rischio di lesioni gravi, rimuovere sempre il gruppo batteria dall'apparecchio durante l'assemblaggio dei componenti, le operazioni di regolazione e pulizia e quando non è in uso.

AVVERTENZA! Non usare accessori non raccomandati da EGO™. L'uso di accessori non raccomandati comporta il rischio di lesioni gravi.

Prima di ogni utilizzo, ispezionare l'intero apparecchio per verificare che nessun elemento sia mancante e non siano presenti componenti danneggiati o allentati, ad esempio viti, dadi, bulloni, tappi, ecc. Serrare saldamente tutti i dispositivi di fissaggio e le coperture e non usare l'apparecchio finché tutti componenti mancanti o danneggiati non vengono sostituiti.

DESTINAZIONE D'USO

Questo apparecchio è destinato alla rifinitura di siepi, arbusti e cespugli con rami di diametro inferiore a Ø33mm

ATTENZIONE! Usare l'apparecchio esclusivamente per gli scopi previsti. Altri utilizzi sono da considerarsi uso improprio.

INSTALLARE/RIMUOVERE IL GRUPPO BATTERIA

Ricaricare prima del primo utilizzo.

Installazione (Fig. B)

Allineare i rilievi sul gruppo batteria con le scanalature di assemblaggio e premere il gruppo batteria fino a udire un "clic".

Rimozione (Fig. C)

Premere il pulsante di rilascio della batteria ed estrarre il gruppo batteria.

AVVERTENZA! Prestare sempre attenzione ai propri piedi e all'eventuale presenza di bambini o animali attorno a sé durante la rimozione del gruppo batteria. La caduta del gruppo batteria comporta il rischio di lesioni gravi. Non rimuovere MAI il gruppo batteria quando si è in posizione elevata.

AVVIARE/ARRESTARE IL TAGLIASIEPI

Prima di avviare il tagliasiepi, rimuovere il coprilama e tenere il tagliasiepi con entrambe le mani: una mano sull'impugnatura posteriore e l'altra sull'impugnatura anteriore. Assumere quindi una posizione eretta e in equilibrio e osservare una corretta distanza di taglio.

AVVERTENZA! Tenere sempre entrambe le mani sulle impugnature del tagliasiepi. Non tenere mai il cespuglio con una mano e il tagliasiepi in funzione con l'altra mano. Il mancato rispetto di questa avvertenza comporta il rischio di lesioni gravi.

Avvio

Premere la leva di sbloccaggio con il palmo, quindi premere l'interruttore a leva posteriore. Tenere premuto l'interruttore a leva posteriore e premere l'interruttore a leva anteriore per avviare l'apparecchio.

Arresto

Rilasciare uno dei due interruttori a leva per arrestare l'apparecchio.

ATTENZIONE! Entrambi gli interruttori a leva devono essere premuti per mettere in funzione il tagliasiepi.

COME USARE IL TAGLIASIEPI

AVVERTENZA! Se la lama si inceppa in un cavo elettrico, **NON TOCCARE LA LAMA! PUÒ DIVENTARE ELETTRIFICATA E MOLTO PERICOLOSA.** Continuare a tenere il tagliasiepi tramite l'impugnatura isolata posteriore o appoggiarlo lontano da sé in modo sicuro. Scollegare la fonte di alimentazione del cavo danneggiato prima di tentare di sbloccare la lama dal cavo. Il mancato rispetto di questa avvertenza comporta il rischio di lesioni gravi o mortali.

AVVERTENZA! Per evitare lesioni gravi, tenere le mani a distanza dalle lame. Non tentare di rimuovere il materiale tagliato e non tenere il materiale da tagliare quando le lame sono in movimento. Verificare che le lame si siano arrestate completamente e che il gruppo batteria sia stato rimosso prima di rimuovere il materiale incastrato sulle lame. Non afferrare la parte esposta delle lame di taglio o i bordi taglienti quando si raccoglie o si usa il tagliasiepi.

AVVERTENZA! Sgombrare l'area da tagliare prima di ogni utilizzo. Rimuovere oggetti come cavi, luci o corde perché potrebbero impigliarsi nella lama di taglio con il rischio di lesioni gravi.

AVVERTENZA! Evitare di tagliare una quantità eccessiva di materiale in una volta sola o cespugli troppo folti per evitare che le lame si pieghino e rallentino, riducendo l'efficienza di taglio.

ATTENZIONE! Durante il taglio di vegetazione giovane, usare un movimento ampio, affinché la lama di taglio raggiunga direttamente i rami. La vegetazione meno giovane ha rami più spessi: per facilitare il taglio, usare un movimento a sega. Usare una sega a mano o delle cesoie per tagliare preventivamente i rami più spessi.

Taglio superiore

Usare un movimento ampio. Una leggera inclinazione delle lame di taglio verso il basso in direzione del movimento darà i migliori risultati di taglio. È anche possibile usare una corda come guida durante il taglio, come illustrato in Fig. D.

Taglio laterale

Durante il taglio dei lati della siepe, iniziare dal basso e tagliare verso l'alto, come illustrato in Fig. E1 o Fig. E2.

Taglio radicale

L'impugnatura posteriore dei tagliaseipi può essere impostata in cinque posizioni ($0^\circ/\pm 45^\circ/\pm 90^\circ$) estraendo il fermo (da Fig. F1 a Fig. F5). Se è necessario effettuare un taglio radicale, impostare l'impugnatura posteriore a $\pm 45^\circ$ (Fig. F2 e F4).

AVVERTENZA! Durante la regolazione dell'impugnatura la lama di taglio deve essere ferma.

NOTA: durante il lavoro, l'impugnatura deve essere sempre rivolta verso l'alto, indipendentemente da come è direzionato il tagliaseipi.

Protezione della punta

La protezione della punta (Fig. G) serve per proteggere l'estremità esterna della lama.

Coprilama

La parte esterna delle lame si adatta al coprilama (Fig. H).

H-1	Lama
H-2	Coprilama

AVVERTENZA! Controllare sempre che il coprilama non sia danneggiato distorto. Sostituirlo se è piegato o danneggiato.

MANUTENZIONE

AVVERTENZA! Per la riparazione dell'apparecchio, usare esclusivamente parti di ricambio identiche. L'uso di altri ricambi comporta situazioni pericolose o il rischio di danni all'apparecchio. Per garantire sicurezza e affidabilità, tutte le riparazioni e sostituzioni devono essere eseguite da un tecnico qualificato.

AVVERTENZA! Per evitare lesioni gravi, rimuovere sempre il gruppo batteria dall'apparecchio prima delle operazioni di pulizia o manutenzione.

PULIZIA

- Usare una piccola spazzola per rimuovere i detriti dalle aperture di ventilazione e dalla lama di taglio.
- Per rimuovere catrame e altri residui collosi, spruzzare sulle lame del solvente per resine. Avviare brevemente il motore affinché il solvente si distribuisca omogeneamente.
- Pulire la superficie con un panno asciutto.

AVVERTENZA! Non usare mai acqua per pulire l'apparecchio. Evitare l'uso di solventi durante la pulizia delle parti in plastica. La maggior parte dei materiali plastici può essere danneggiata da diversi tipi di solventi in commercio. Usare un panno pulito per rimuovere sporcizia, polvere, olio, grasso, ecc.

AFFILARE LA LAMA DI TAGLIO

- Rimuovere il gruppo batteria dal tagliaseipi.
- Serrare il gruppo lama in una morsa e affilare la superficie di taglio esposta di ogni tagliente. Rimuovere meno materiale possibile.
- Rimuovere il tagliaseipi dalla morsa e regolare la parte esposta non ancora affilata. Ripetere questa procedura fino ad affilare tutti i taglienti della lama.

ATTENZIONE! Non usare il tagliaseipi con una lama di taglio smussata o danneggiata per evitare il rischio di surriscaldamento e risultati di taglio non soddisfacenti.

LUBRIFICAZIONE DELLA LAMA

Per le migliori prestazioni e una maggiore durata di vita, lubrificare la lama del tagliaseipi con dell'olio per macchine leggero prima e dopo ogni utilizzo.

Rimuovere il gruppo batteria e appoggiare l'apparecchio su una superficie piana. Applicare il lubrificante sulla punta della lama superiore.

ATTENZIONE! Per una maggiore durata operativa, lubrificare la lama durante l'uso.

AVVERTENZA! Non lubrificare la lama mentre il tagliaseipi è in funzione.

LUBRIFICAZIONE DELLA SCATOLA INGRANAGGI

Per un funzionamento ottimale e una maggiore durata di vita, lubrificare la scatola ingranaggi del tagliaseipi con del grasso speciale (5-6 g in #1 e 10-12 g in #2 alla volta) dopo circa 25 ore di utilizzo.

NOTA: Contattare il rivenditore ego locale per ricevere assistenza.

Il grasso deve rispettare i requisiti elencati di seguito.

- Grado di consistenza conforme a DIN51818: NLGI-2.
- Composto da addensatori in poliurea + olio lubrificante sintetico.
- Bassa temperatura di avviamento, EP, abbassamento meccanico, resistenza all'abrasione e proprietà ossidative stabili.
- La temperatura operativa deve essere compresa tra -40°C e 180°C .

TRASPORTO E CONSERVAZIONE

- Posizionare sempre il coprilama sulla lama prima di trasportare o riporre il tagliaerba. Prestare attenzione per evitare il contatto con i denti affilati della lama.
- Pulire accuratamente il tagliaerba prima di riporlo.
- Conservare il tagliaerba in un luogo al chiuso, asciutto e inaccessibile ai bambini.
- Tenerlo al riparo da agenti corrosivi, ad esempio sostanze chimiche per il giardinaggio e sale per disgelo.

⚠ AVVERTENZA! Le lame sono affilate. Durante la manipolazione del gruppo lama, indossare guanti protettivi robusti e antiscivolo. Non posizionare la mano o le dita tra le lame o in qualsiasi posizione in cui potrebbero venire schiacciate o tagliate. Non toccare MAI le lame e non riparare l'apparecchio con il gruppo batteria installato.

Protezione dell'ambiente



Non smaltire gli apparecchi elettrici, caricabatteria e batterie/batterie ricaricabili insieme ai rifiuti indifferenziati!

Conformemente alle direttive europee 2012/19/EU e 2006/66/CE, i rifiuti di apparecchiature elettriche ed elettroniche, pile e accumulatori devono essere raccolti separatamente e smaltiti nel rispetto dell'ambiente.

Se gli apparecchi elettrici vengono smaltiti nelle discariche, le sostanze pericolose possono infiltrarsi nelle falde acquifere e contaminare la catena alimentare, con effetti dannosi sulla salute e il benessere.

IT

RISOLUZIONE DEI PROBLEMI

IT

PROBLEMA	CAUSA	SOLUZIONE
Il tagliasiepi non funziona	<ul style="list-style-type: none"> Il gruppo batteria non è installato sul tagliasiepi. 	<ul style="list-style-type: none"> Installare il gruppo batteria sul tagliasiepi.
	<ul style="list-style-type: none"> Il contatto elettrico tra il tagliasiepi e la batteria è mancante. 	<ul style="list-style-type: none"> Rimuovere la batteria, ispezionare i contatti e reinstallare il gruppo batteria.
	<ul style="list-style-type: none"> Il gruppo batteria è scarico. 	<ul style="list-style-type: none"> Ricaricare il gruppo batteria.
	<ul style="list-style-type: none"> Il gruppo batteria è troppo caldo. 	<ul style="list-style-type: none"> Rimuovere il gruppo batteria dall'apparecchio e attendere che la temperatura scenda al di sotto di 67 °C.
	<ul style="list-style-type: none"> Il tagliasiepi è troppo caldo. 	<ul style="list-style-type: none"> Rilasciare entrambi gli interruttori a leva; attendere che la temperatura del tagliasiepi scenda al di sotto di 77 °C.
	<ul style="list-style-type: none"> I due interruttori a leva non sono stati premuti contemporaneamente. 	<ul style="list-style-type: none"> Premere simultaneamente l'interruttore a leva sull'impugnatura anteriore e l'interruttore a leva sull'impugnatura posteriore.
	<ul style="list-style-type: none"> La lama è inceppata. 	<ul style="list-style-type: none"> Rimuovere il gruppo batteria dall'apparecchio, rimuovere attentamente l'ostruzione, quindi reinserire la batteria e riavviare il tagliasiepi.
Rumore o vibrazioni eccessivi	<ul style="list-style-type: none"> Le lame sono asciutte o corrose. 	<ul style="list-style-type: none"> Lubrificare le lame seguendo le istruzioni alla sezione "LUBRIFICARE LA LAMA" di questo manuale.
	<ul style="list-style-type: none"> Le lame o il supporto della lama sono piegati. 	<ul style="list-style-type: none"> Sostituire con una lama nuova o un supporto nuovo. Contattare il centro di assistenza EGO per la sostituzione della lama o del supporto
	<ul style="list-style-type: none"> I denti sono piegati o danneggiati. 	<ul style="list-style-type: none"> Sostituire con una lama nuova. Contattare il centro di assistenza EGO per la sostituzione della lama
	<ul style="list-style-type: none"> I bulloni della lama sono allentati. 	<ul style="list-style-type: none"> Serrare i bulloni della lama. Con una chiave, ruotare il bullone in senso orario per serrarlo.

GARANZIA

CONDIZIONI DELLA GARANZIA EGO

Visitare il sito web egopowerplus.com per consultare le condizioni complete della garanzia EGO.

LEES EN BEGRIJP



DE GEBRUIKERSHANDLEIDING

⚠ Restrisico! Personen met elektronische apparaten, zoals pacemakers, moeten eerst hun art(sen) raadplegen voordat ze dit product mogen gebruiken. De werking van een elektrisch apparaat in de nabijheid van een pacemaker kan een storing of defect aan de pacemaker veroorzaken.

⚠ WAARSCHUWING: Om een continue veiligheid en betrouwbaarheid te waarborgen, dienen alle reparaties en vervangingen van onderdelen uitgevoerd te worden door een vakbekwame reparateur.

VEILIGHEIDSSYMBOLEN

Het doel van de veiligheidssymbolen is om u te wijzen op mogelijke gevaren. Besteed daarom voldoende aandacht hieraan en begrijp de veiligheidssymbolen en bijbehorende uitleg. De symboolwaarschuwingen op zich elimineren geen enkel gevaar.

De gegeven instructies en waarschuwingen gelden niet als vervanging voor gepaste voorzorgsmaatregelen tegen ongevallen.

⚠ WAARSCHUWING: Lees en begrijp alle veiligheidsinstructies die in deze gebruikershandleiding zijn vermeld, waaronder alle veiligheidssymbolen zoals “GEVAAR”, “WAARSCHUWING”, en “OPGELET” voordat u dit apparaat in gebruik neemt. Het negeren van onderstaande instructies kan leiden tot elektrische schokken, brand en/of ernstig persoonlijk letsel.

BETEKENIS VAN DE SYMBOLEN

WAARSCHUWINGSSYMBOL: Geeft GEVAAR, WAARSCHUWING of OPGELET aan. Kan worden gebruikt in combinatie met andere symbolen of pictogrammen.

⚠ WAARSCHUWING: De werking van het apparaat kan leiden tot het rondslingeren van (vreemde) objecten die in uw ogen kunnen terechtkomen. Dit kan leiden tot ernstig oogletsel. Wanneer u elektrische apparaten gebruikt, zorg er dan voor dat u altijd een veiligheidsbril (met zijschermen) of een gelaatsscherm draagt. We bevelen aan om een gelaatsscherm over uw bril of standaard veiligheidsbril met zijschermen te gebruiken.

VEILIGHEIDSVORSCHRIFTEN

Deze pagina toont en beschrijft alle veiligheidssymbolen die zich op dit product kunnen bevinden. Lees, begrijp en volg alle instructies op de machine voordat u deze in elkaar zet en gebruikt.

	Veiligheidswaarschuwing	Geeft een risico op persoonlijk letsel aan.
	Lees de gebruikershandleiding zorgvuldig door	De gebruiker moet de gebruikershandleiding lezen om het risico op letsel te beperken
	Niet aan regen blootstellen	WAARSCHUWING: Gebruik het apparaat niet in de regen en laat het tevens niet buiten achter als het regent.
	Zwaardlengte	De lengte van het blad
	Zaagcapaciteit	Maximale zaagcapaciteit van het zwaard
V	Volt	Spanning
A	Ampère	Stroom
Hz	Hertz	Frequentie (cycli per seconde)
W	Watt	Vermogen
min	Minuten	Tijd
	Wisselstroom	Stroomtype
	Gelijkstroom	Stroomtype of -karakteristiek
n_0	Snelheid zonder belasting	Draaisnelheid, zonder belasting
.../min	Per minuut	Toeren per minuut
SPM	Slagen per minuut	Slagsnelheid, zonder belasting

NL

ALGEMENE VEILIGHEIDSWAARSCHUWINGEN VOOR ELEKTRISCH GEREEDSCHAP

⚠ WAARSCHUWING: Lees alle veiligheidswaarschuwingen en instructies zorgvuldig door. Het niet opvolgen van de waarschuwingen en instructies kan leiden tot elektrische schokken, brand en/of ernstig letsel.

Bewaar alle waarschuwingen en instructies voor latere raadpleging.

De term "elektrisch gereedschap" in de waarschuwingen verwijst naar uw op het voedingsnet aangedreven (met snoer) handgereedschap of accu-aangedreven (snoerloos) handgereedschap.

VEILIGHEID OP DE WERKPLAATS

- **Houd uw werkplaats schoon en goed verlicht.**
Rommelige of donkere ruimten kunnen ongevallen veroorzaken.
- **Gebruik geen handgereedschap in ruimten waar een explosieve atmosfeer kan ontstaan, bijvoorbeeld in de aanwezigheid van ontvlambare vloeistoffen, gassen of stof.** Handgereedschap creëert vonken en deze kunnen stof of dampen in brand steken.
- **Houd kinderen en omstanders uit de buurt wanneer u een elektrisch gereedschap bedient.** Aflleiding kan tot controleverlies leiden.

ELEKTRISCHE VEILIGHEID

- **De stekker van het elektrisch gereedschap moet met het stopcontact overeenstemmen. Pas de stekker op geen enkele manier aan. Gebruik geen adapterstekker met geaard elektrisch gereedschap.** Niet aangepaste stekkers en overeenkomstige stopcontacten beperken het risico op elektrische schokken.
- **Vermijd lichaamscontact met geaarde oppervlakken, zoals pijpleidingen, radiatoren, fornuizen of koelkasten.** Het risico op een elektrische schok is groter als uw lichaam geaard is.
- **Stel elektrisch gereedschap niet bloot aan regen of vochtige omstandigheden.** Water dat elektrisch gereedschap binnendringt, vergroot het risico op elektrische schokken.
- **Gebruik het snoer niet op een verkeerde manier. Gebruik het snoer nooit om het elektrisch gereedschap te dragen of mee te trekken of om de stekker uit het stopcontact te halen. Houd het snoer uit de buurt van hitte, olie, scherpe randen en bewegende onderdelen.** Beschadigde of verstrikte snoeren vergroten het risico op elektrische schokken.

- **Wanneer u een elektrisch gereedschap buitenshuis bedient, gebruik een verlengsnoer dat voor gebruik buitenshuis is geschikt.** Het gebruik van een snoer dat voor gebruik buitenshuis is geschikt verkleint het risico op elektrische schokken.
- **Als het gebruik van elektrisch gereedschap in een vochtige ruimte noodzakelijk is, gebruik dan een differentieelschakelaar.** Het gebruik van een differentieelschakelaar verkleint het risico op elektrische schokken.

PEERSONLIJKE VEILIGHEID

- **Wees waakzaam, let op wat u doet en gebruik uw gezond verstand wanneer u elektrisch gereedschap gebruikt. Gebruik het elektrisch gereedschap niet als u moe bent of onder de invloed bent van drugs, alcohol of medicijnen.** Een moment van onoplettendheid tijdens de werking van het elektrisch gereedschap kan leiden tot ernstig persoonlijk letsel.
- **Gebruik persoonlijke beschermingsuitrusting. Draag altijd oogbescherming.** Beschermingsuitrusting zoals een stofmasker, slipvaste werkschoenen, veiligheidshelm of gehoorbescherming afhankelijk van de aard en het gebruik van het gereedschap verkleint het risico op persoonlijk letsel.
- **Vermijd dat het gereedschap per ongeluk wordt gestart. Zorg dat de schakelaar op de positie Uit is ingesteld voordat u het gereedschap op een stroombron en/of accupack aansluit, vastneemt of draagt.** Het dragen van elektrisch gereedschap met uw vinger op de schakelaar of gereedschap ingeschakeld op de stroomvoorziening aansluiten kan ongevallen veroorzaken.
- **Verwijder instelsleutels of moersleutels voordat u het elektrisch gereedschap inschakelt.** Een instelsleutel of moersleutel in een draaiend deel van het elektrisch gereedschap achterlaten kan leiden tot persoonlijk letsel.
- **Reik niet te ver. Zorg er altijd voor dat u stevig en stabiel staat.** Dit zorgt ervoor dat u het elektrisch gereedschap in onverwachte situaties beter onder controle kunt houden.
- **Draag passende kleding. Draag geen loshangende kleding of juwelen. Houd uw haar, kleding en handschoenen uit de buurt van bewegende onderdelen.** Loshangende kleding, juwelen en lang haar kunnen in bewegende onderdelen verstrikt raken.
- **Wanneer de montage van stofafzuigings- of stofopvangvoorzieningen mogelijk is, dient u ervoor te zorgen dat deze juist aangesloten en gebruikt worden.** Het gebruik van voorzieningen voor stofopvang kan helpen om het risico in verband met stof te verlagen.

ELEKTRISCH GEREEDSCHAP GEBUIKEN EN ONDERHOUDEN

- **Overbelast het elektrisch gereedschap niet. Gebruik het juiste elektrisch gereedschap voor uw toepassing.** Met het juiste elektrisch gereedschap werkt u beter en veiliger binnen het aangegeven capaciteitsbereik.
- **Gebruik het elektrisch gereedschap niet als de schakelaar niet kan worden in- en uitgeschakeld.** Elektrisch gereedschap dat niet kan worden in- of uitgeschakeld is gevaarlijk en moet worden gerepareerd.
- **Trek de stekker uit het stopcontact en/of ontkoppel het accupack voordat u het elektrisch gereedschap instelt, accessoires vervangt of het gereedschap opbergt.** Deze preventieve voorzorgsmaatregelen beperken het risico op onbedoeld starten van het elektrisch gereedschap.
- **Berg niet-gebruikt gereedschap op buiten het bereik van kinderen en zorg ervoor dat personen die niet vertrouwd zijn met het gereedschap of die deze instructies niet hebben gelezen het gereedschap niet gebruiken.** Elektrisch gereedschap is gevaarlijk wanneer deze door onervaren personen worden gebruikt.
- **Draag goed zorg voor uw elektrisch gereedschap. Controleer of de bewegende onderdelen correct functioneren en niet vastklemmen en of de onderdelen zodanig gebroken of beschadigd zijn dat de werking van het elektrisch gereedschap nadelig wordt beïnvloed. Laat beschadigde onderdelen repareren voordat u het elektrisch gereedschap gebruikt.** Vele ongevallen worden veroorzaakt door slecht onderhouden elektrisch gereedschap.
- **Houd de snij-onderdelen scherp en schoon.** Zorgvuldig onderhouden snij-onderdelen met scherpe snijkanten klemmen minder snel vast en zijn gemakkelijker te bedienen.
- **Gebruik het elektrisch gereedschap, accessoires, inzetgereedschap, etc. in overeenstemming met deze instructies en houd hierbij met de werkomstandigheden en de uit te voeren werkzaamheden.** Het gebruik van elektrische gereedschap voor andere dan de voorziene toepassingen kan tot gevaarlijke situaties leiden.

ACCUGEREEDSCHAP GEBUIKEN EN ONDERHOUDEN

- **Laad alleen op met de lader die door de fabrikant is gespecificeerd.** Een lader die geschikt is voor één type van accupack kan tot brandgevaar leiden wanneer gebruikt met een andere accupack.

- **Gebruik elektrisch gereedschap alleen met het specifiek aangegeven accupack.** Het gebruik van andere accupacks kan risico op letsel en brandgevaar veroorzaken.
- **Wanneer u het accupack niet gebruikt, houd het uit de buurt van andere metalen voorwerpen zoals paperclips, muntstukken, sleutels, spijkers, schroeven of andere kleine metalen voorwerpen die de twee aansluitklemmen kunnen verbinden.** Het kortsluiten van de aansluitklemmen kan brandwonden of brand veroorzaken.
- **Bij verkeerd gebruik kan er vloeistof uit de accu worden gespoten; vermijd elk contact. Als aanraking met de vloeistof toevallig plaatsvindt, dient u het met water af te spoelen. Als de vloeistof in de ogen komt, raadpleeg onmiddellijk een arts.** Vloeistof dat uit de accu wordt gespoten kan irritaties of brandwonden veroorzaken.

REPARATIES

- **Laat uw elektrisch gereedschap repareren door een gekwalificeerde reparateur en alleen met identieke reserve-onderdelen.** Dit waarborgt de veiligheid van het handgereedschap.

VEILIGHEIDSWAARSCHUWINGEN VOOR HEGGENSCHAAREN

- **Houd alle lichaamsdelen uit de buurt van het zaagblad.** Verwijder geen snoeimateriaal of houd het te snoeien materiaal niet vast wanneer de zaagbladen in beweging zijn. Zorg dat het apparaat is uitgeschakeld wanneer u vastgelopen materiaal verwijdert. Een moment van onoplettendheid tijdens de werking van de heggenschaar kan leiden tot ernstig persoonlijk letsel.
- **Draag de heggenschaar bij het handvat met een niet werkend zaagblad.** Plaats altijd het zaagbladhoes wanneer u de heggenschaar transporteert of opbergt. Een juiste hantering van de heggenschaar beperkt de kans op persoonlijk letsel dat door de zaagbladen wordt veroorzaakt.
- **Houd het elektrisch gereedschap alleen bij de geïsoleerde handgrepen vast, het zaagblad kan in aanraking komen met verborgen bedrading.** Zaagbladen die met een draad onder stroom in aanraking komen kunnen de blootgestelde metalen onderdelen van het handgereedschap onder stroom plaatsen en de gebruiker een elektrische schok geven.
- **Houd het snoer uit de buurt van het snijoppervlak.** Tijdens de werking kan het snoer verborgen zijn in de heesters en kan deze toevallig worden doorgesneden.
- **Controleer de haag op vreemde voorwerpen voor gebruik, zoals draadafrastering.**

- Gebruik de heggenchaar alleen met een juist gemonteerd scherm. De heggenchaar gebruiken zonder juist gemonteerd scherm kan ernstig persoonlijk letsel veroorzaken.
- Gebruik de heggenchaar met beide handen. Het gereedschap met één hand gebruiken kan tot controleverlies leiden en ernstig persoonlijk letsel veroorzaken.

⚠ WAARSCHUWING: Controleer de heg op vreemde voorwerpen voordat u begint met werken, bijv. draadhekwerk. Gebruik de heggenchaar alleen met correct gemonteerde bescherming. De heggenchaar gebruiken zonder juist gemonteerd scherm kan ernstig persoonlijk letsel veroorzaken.

BELANGRIJKE VEILIGHEIDSINSTRUCTIES

- Gebruik de heggenchaar niet als het regent.
- Laak het accupack niet op als het regent of in een natte omgeving.
- Gebruik alleen met in afb. A vermelde accupacks en opladers.
- Neem de blootgestelde zaagbladen of -randen niet vast wanneer u de heggenchaar opneemt of vasthoudt.
- Gebruik het apparaat niet op een ladder, dak, in een boom of andere onstabiele delen. Een stabiele houding op een stevig oppervlak zorgt voor een betere controle over de heggenchaar tijdens onvoorziene situaties.
- Kinderen mogen de heggenchaar nooit gebruiken.
- Verwijder of pas de veiligheidsvoorzieningen nooit aan. Controleer regelmatig of het gereedschap juist werkt. Doe nooit iets dat de juiste werking van de veiligheidsvoorziening kan hinderen of dat de bescherming die de veiligheidsvoorziening biedt beperkt.
- Gebruik de heggenchaar nooit zonder juist gemonteerde schermen, platen of andere veiligheidsvoorzieningen.
- Controleer op beschadigde onderdelen voordat u de heggenchaar gebruikt. Voordat u een beschadigd scherm of een ander beschadigd onderdeel verder gebruikt, controleer deze grondig om na te gaan of het juist zal werken en zijn bedoelde functie zal uitvoeren. Controleer op de uitlijning van de bewegende onderdelen, de verbinding van de bewegende onderdelen, breuk van onderdelen of andere condities die de werking kunnen beïnvloeden. Laat een beschadigd scherm of ander onderdeel op een juiste wijze repareren of vervangen door een bevoegd servicecentrum tenzij anders aangegeven in deze gebruiksaanwijzing.
- Controleer regelmatig of het zaagblad en de motormontagebouten stevig zijn vastgedraaid. Inspecteer het zaagblad tevens regelmatig op schade (bijv. gebogen, gebarsten of versleten). Vervang het blad alleen door een blad van EGO™.
- Vervang het zaagblad als het gebogen of gebarsten is. Een onevenwichtig zaagblad kan trilling veroorzaken wat tot schade aan de motoraandrijving of persoonlijke letsel kan leiden.
- Als het gereedschap abnormaal trilt, stop de motor en zoek onmiddellijk naar de oorzaak. Trilling wijst vaak op een storing.
- Gebruik de heggenchaar alleen voor het snijden van stammen minder dan 33 mm dik.
- Gebruik het gereedschap alleen bij daglicht of voldoende kunstmatig licht.
- Verwijder of ontkoppel de accu voor onderhoud, reiniging of verwijdering van vastzittend materiaal uit de heggenchaar.
- Reinig het gereedschap niet met een slang. Zorg dat de motor of elektrische componenten niet met water in aanraking komen.
- Gebruik tijdens onderhoud alleen identieke reserveonderdelen die in deze handleiding zijn vermeld. Het gebruik van onderdelen die niet aan de specificaties van de originele uitrusting voldoen kunnen verkeerde prestaties leveren en de veiligheid in gevaar brengen.
- Volg de instructies over smering en het vervangen van accessoires.
- Houd de handvatten droog, schoon en vrij van olie en smeervet.

- Bewaar deze handleiding. Raadpleeg de gebruikershandleiding indien nodig en gebruik deze om andere personen die dit apparaat zullen gebruiken te onderrichten. Als u dit apparaat aan iemand anders geeft, geef hem/haar dan in ieder geval ook de gebruikershandleiding mee om verkeerd gebruik en/of mogelijk letsel te voorkomen.

BEWAAR DEZE GEBRUIKSAANWIJZING!

SPECIFICATIES

Modelnummer	HT5100E	HT6500E	
Spanning	56 V ---	56 V ---	
Snelheid zonder belasting	Hoog	1600 /min	1600 /min
	Laag	1400 /min	1400 /min
Aanbevolen gebruikstemperatuur:	tussen 0°C en 40°C		
Aanbevolen opslagtemperatuur:	tussen -20° en 70°C		
Snijlengte	51 cm	65 cm	
Snijvermogen	33 mm	33 mm	
Gewicht (zonder accupack)	3,6 kg	3,8 kg	
Gemeten geluidsvermogensniveau L_{WA}	90 dB(A) K=1,55 dB(A)	91,45 dB(A) K=1,08 dB(A)	
Geluidsdruk niveau aan de positie van de bediener L_{PA} K=2,5 dB(A)	81,5 dB(A)	81,4 dB(A)	
Gegarandeerd geluidsvermogensniveau L_{WA} (gemeten volgens 2000/14/EG)	92 dB(A)	93 dB(A)	
Vibratie a_h K=1,5 m/s ²	Voorste handvat	3,369 m/s ²	5,313 m/s ²
	Achterste handvat	1,876 m/s ²	3,115 m/s ²

- De opgegeven totale vibratiewaarde is gemeten volgens de standaard testmethode en kan worden gebruikt om het apparaat met een ander apparaat te vergelijken;
- De opgegeven totale vibratiewaarde kan ook worden gebruikt in een voorafgaande beoordeling op blootstelling.

MEDEDELING: De vibratie-afgifte tijdens het werkelijk gebruik van het elektrisch gereedschap kan verschillen van de opgegeven totale waarde; Om de bediener te beschermen dient de gebruiker tijdens het gebruik handschoenen en gehoorbescherming te dragen.

INHOUD VAN DE VERPAKKING

NAAM ONDERDEEL	AANTAL
Accuheggenchaar	1
Beschermkap	1
Gebruikershandleiding	1

NL

BESCHRIJVING

KEN UW HEGGENSCHAAR (afb. A)

1. Accuvrijgaveknop
2. Achterste handvat
3. Ontgrendelingsknop
4. Achterste schakelaar
5. Snelheidsregelaar
6. Voorste handvat
7. Voorste schakelaar
8. Handscherm
9. Zaagbladbeschermer
10. Zaagblad
11. Puntbeschermer
12. Vergrendeling
13. Elektrische contacten
14. Montagegleuf
15. Uitwerpmechanisme
16. Slot voor handvat
17. Motorbehuizing
18. Beschermkap

⚠ WAARSCHUWING: Dit product werd reeds volledig gemonteerd verzonden. Haal het handscherm tijdens gebruik nooit af. Eenmaal beschadigd, laat het onmiddellijk door een vakbekwame reparateur vervangen.

⚠ WAARSCHUWING: Om dit product op een veilige manier te gebruiken, moet men zowel de informatie vermeld op het gereedschap en in deze gebruikershandleiding goed begrijpen als een goede kennis hebben van de taak die men wilt uitvoeren. Voordat u dit product gebruikt, maak uzelf vertrouwd met alle gebruiksfuncties en veiligheidsvoorschriften.

WERKING

⚠ WAARSCHUWING: Vertrouwdheid kan leiden tot onvoorzichtigheid. Opgelet, één seconde van onvoorzichtigheid kan ernstig letsel teweegbrengen.

⚠ WAARSCHUWING: Draag altijd oogbescherming met zijschermen en gehoorbescherming. Het niet dragen van deze beschermingsuitrusting kan ertoe leiden dat voorwerpen in uw ogen terechtkomen of kan een ander ernstig letsel veroorzaken.

NL

⚠ WAARSCHUWING: Om het per ongeluk starten van het gereedschap, wat persoonlijk letsel kan veroorzaken, te voorkomen, dient u altijd het accupack uit het gereedschap te halen als u onderdelen monteert, instellingen uitvoert, het reinigt of als het niet in gebruik is.

⚠ WAARSCHUWING: Gebruik geen opzetstukken of toebehoren die niet door EGO™ zijn aanbevolen. Het gebruik van niet aanbevolen opzetstukken of toebehoren kan leiden tot ernstig persoonlijk letsel.

Voor elk gebruik, controleer het volledig product op beschadigde, ontbrekende of losse onderdelen, zoals schroeven, moeren, bouten, etc. Maak alle bevestigingen en doppen stevig vast en gebruik dit product pas opnieuw eenmaal alle ontbrekende of beschadigde onderdelen zijn geplaatst.

TOEPASSING

U mag dit product gebruiken voor het snijden van heggen, struiken en bosjes met een takdiameter van minder dan 033 mm.

OPMERKING: Het gereedschap mag alleen voor het voorheen genoemde doeleinde worden gebruikt. Ieder ander gebruik is in dit geval misbruik.

INSTALLEREN/VERWIJDEREN VAN HET ACCUPACK

Voor de eerste ingebruikname opladen.

Installeren (afb. B)

Breng de geleiders van de accu overeen met de montagesleuven en druk het accupack naar beneden totdat u "klik" hoort.

Verwijderen (afb. C)

Druk de accu-ontgrendelingsknop naar beneden en trek het accupack eruit.

⚠ WAARSCHUWING: Houd altijd uw voeten, kinderen of huisdieren die zich in de buurt bevinden in het oog wanneer u op de accuvrijgaveknop drukt. Ernstig letsel kan zich voordoen wanneer de accu valt. Haal het accupack NOOIT uit wanneer u zich in een hoge positie bevindt.

DE HEGGENSCHAAR STARTEN/STOPPEN

Voor het gebruik dient u de bescherming van het blad te verwijderen en de trimmer met beide handen vast te houden, één hand aan het achterste handvat en één aan het voorste handvat. Let vervolgens op een goede, recht op staande stand en een goede maai-afstand.

⚠ WAARSCHUWING: Houd altijd beide handen op de handvatten. Houd nooit struiken met uw ene hand vast terwijl u de heggenschaar met uw andere hand bedient. Het negeren van deze waarschuwing kan leiden tot ernstig letsel.

Starten

Druk de ontgrendelingsknop met uw handpalm in en duw de achterste schakelaar vervolgens omhoog. Met de achterste schakelaar ingedrukt, houd de voorste schakelaar ingedrukt om het apparaat te starten.

Stoppen

Laat één van de schakelhendels los om te stoppen.

OPMERKING: Beide schakelaars moeten worden ingedrukt om de heggenschaar te starten.

DE HEGGENSCHAAR GEBRUIKEN

⚠ WAARSCHUWING: Als het zaagblad in een elektrische kabel of leiding vast komt te zitten, RAAK HET ZAAGBLAD NIET AAN! DEZE KAN ONDER STROOM STAAN EN GEVAAR OPLEVEREN. Blijf de heggenschaar bij het geïsoleerd achterste handvat vasthouden of leg het neer en uit uw buurt op een veilige manier. Ontkoppel de stroomtoevoer naar de beschadigde leiding of kabel voordat u probeert om het zaagblad van de leiding of kabel los te maken. Het negeren van deze waarschuwing kan leiden tot ernstig letsel of de dood.

⚠ WAARSCHUWING: Om ernstig persoonlijk letsel te voorkomen, houd uw handen uit de buurt van de zaagbladen. Verwijder geen snoeimateriaal of houd het te snoeien materiaal niet vast wanneer de zaagbladen in beweging zijn. Zorg dat de zaagbladen tot een volledige stilstand zijn gekomen en het accupack is verwijderd voordat u vastzittend materiaal uit de zaagbladen haalt. Neem de blootgestelde zaagbladen of -randen niet vast wanneer u het gereedschap opneemt of vasthoudt.

⚠ WAARSCHUWING: Voor gebruik, verwijder alle mogelijke obstakels uit de te maaien zone. Verwijder alle voorwerpen, zoals kabels, verlichting, draad of koord. Deze kunnen in het zaagblad vast komen te zitten en een risico op persoonlijk letsel veroorzaken.

⚠ WAARSCHUWING: Voorkom dat u te veel in één keer snijdt of door te dikke takken snijdt. De zaagbladen kunnen vastklemmen en vertragen wat voor lagere snoeiresultaten zorgt.

OPMERKING: Voor nieuwe groei is een brede, zwaaiende beweging voldoende om de stammen rechtstreeks in het zaagblad terecht te laten komen. Voor oudere groei is een zaagbeweging goed voor het trimmen van dikkere stammen. Een stroomloze zaag of snoeizaag is aan te raden voor het zagen van dikke stammen.

De bovenkant snoeien

Gebruik een brede, zwaaiende beweging. Een lichtjes neerwaartse schuine stand van de zaagbladen in de bewegingsrichting zorgt voor de beste snoeibeurt. Voor een beter zaageffect kunt u ook een koord gebruiken om het niveau van de heg te begeleiden zoals weergegeven in afb. D.

De zijkant snoeien

Voor het snoeien van de zijkant van de haag, start onderaan en snoei omhoog zoals weergegeven in afb. E1 of afb. E2.

De onderkant snoeien

Het achterste handvat van de heggenschaar kan in vijf verschillende posities ($0^\circ/\pm 45^\circ/\pm 90^\circ$) worden ingesteld door de vergrendeling uit te trekken (afb. F1 tot afb. F5). Als de onderkant van de haag gesnoeid moet worden, stel het achterste handvat in op $\pm 45^\circ$ (afb. F2 & F4).

⚠ WAARSCHUWING: Zorg dat het zaagblad tijdens het aanpassen van het handvat niet in werking is.

OPMERKING: Tijdens gebruik moet het handvat altijd naar boven zijn gericht, ongeacht in welke positie de heggenschaar zich bevindt.

Puntbeschermer

De puntbeschermer (afb. G) wordt gebruikt om het uiteinde van het zaagblad te beschermen.

Zaagbladbeschermer

Het buitenste deel van de zaagbladen heeft de vorm van een zaagbladbeschermer (afb. H).

H-1	Zaagblad
H-2	Zaagbladbeschermer

⚠ WAARSCHUWING: Controleer altijd of de zaagbladbeschermer niet beschadigd of vervormd is. Vervang het als het gebogen of beschadigd is.

ONDERHOUD

⚠ WAARSCHUWING: Bij reparatie, gebruik uitsluitend identieke reserve-onderdelen. Het gebruik van andere onderdelen kan gevaar opleveren of schade aan het product veroorzaken. Laat alle reparaties uitvoeren door een vakbekwame reparateur om een continue veiligheid en betrouwbaarheid te waarborgen.

⚠ WAARSCHUWING: Om ernstig persoonlijk letsel te voorkomen dient u het accupack voor de reiniging of het onderhoud altijd uit het product te halen.

REINIGING

- Verwijder alle vuil van de luchtinlaten en het zaagblad met behulp van een zachte borstel.
- Om pek en andere kleefresten te verwijderen, besprenkel de zaagbladen met harsoplosmiddel. Draai de motor kortstondig zodat het oplosmiddel gelijkmatig wordt verdeeld.
- Maak het oppervlak schoon met een droge doek.

⚠ WAARSCHUWING: Maak uw grastrimmer nooit schoon met water. Maak de kunststof onderdelen niet schoon met oplosmiddelen. De meeste kunststoffen kunnen door verschillende soorten van commercieel beschikbare oplosmiddelen schade oplopen. Gebruik een schone doek voor het verwijderen van vuil, stof, olie, smeer, etc.

HET ZAAGBLAD SLIJPEN

1. Verwijder het accupack van uw heggenschaar.
2. Klem het zaagbladgedeelte in een bankschroef vast en vijl het blootgesteld snijoppervlak van elke zaagtand. Verwijder zo weinig mogelijk materiaal.
3. Verwijder de heggenschaar uit de bankschroef en pas het botte gedeelte aan. Herhaal de bovenstaande procedures totdat alle tanden scherp zijn.

OPMERKING: Gebruik uw heggenschaar niet wanneer de zaagbladen bot of beschadigd zijn. Dit kan tot overbelasting van het gereedschap en ontoereikende snoeiresultaten leiden.

HET MES SMEREN

Voor de beste werking en een langere levensduur van het zaagblad, smeert u het zaagblad met hoogwaardige machine-olie voor en na elk gebruik.

Verwijder het accupack en plaats de trimmer op een vlakke ondergrond. Breng de olie langs de bovenste rand van het blad aan.

OPMERKING: Voor een langere gebruikperiode dient u het blad tijdens het zagen van olie te voorzien.

NL

⚠ WAARSCHUWING: Breng geen olie aan terwijl de heggenschaar in werking is.

DE TANDWIELKAST SMEREN

Voor de beste werking en een langere levensduur smeert u de tandwielkast van de heggenschaar met een speciaal vet (iedere keer ongeveer 5-6g in #1 en 10-12g in #2) na elke 25 bedrijfsuren.

OPMERKING: Neem alstublieft contact op met uw lokale ego service-dealer voor hulp.

Het speciale vet moet voldoen aan de volgende eisen:

1. Behoort tot DIN51818: NLGI-2 kegel penetratiegraad.
2. Samengesteld uit polyureum verdikingsmiddel + synthetische smeeroilie.
3. Uitstekende start bij lage temperaturen, EP, mechanische schering, bestendig tegen slijtage en oxidatieve stabiliteitseigenschappen.
4. Gebruikstemperatuur moet tussen -40~180°C liggen.

TRANSPORT EN OPSLAG

- Plaats de zaagbladbeschermer altijd op het zaagblad voordat u de heggenschaar opbergt of transporteert. Let op voor de scherpe tanden van het zaagblad.
- Maak de heggenschaar grondig schoon voordat u deze opbergt.
- Berg de heggenschaar binnenshuis op in een droge ruimte die voor kinderen ontoegankelijk is.
- Houd uit de buurt van corrosieve middelen, zoals tuinchemicaliën en strooizout.

⚠ WAARSCHUWING: De zaagbladen zijn scherp, Wanneer u het zaagbladgedeelte aanraakt, draag slipvaste en stevige werkhandschoenen. Steek uw hand of vingers niet tussen de zaagbladen of in een positie waar deze letsel kunnen oplopen of geklemd kunnen raken. Raak de zaagbladen NOOIT aan en voer geen onderhoud op het gereedschap uit wanneer het accupack geïnstalleerd is.

Het milieu beschermen



Gooi geen elektrische apparaten, acculaders en accu's/oplaadbare batterijen met het huisafval weg!

Elektrische en elektronische apparaten, in overeenstemming met de Europese wet 2012/19/EG, en defecte of verbruikte accupacks/batterijen, in overeenstemming met 2006/66/EG, moeten afzonderlijk worden ingezameld.

Als elektrische apparaten op een stortterrein of vuilnisbelt terechtkomen, kunnen gevaarlijke stoffen in het grondwater lekken en in de voedselketen komen wat schadelijk is voor uw gezondheid en welzijn.

PROBLEEMOPLOSSING

PROBLEEM	OORZAAK	OPLOSSING
De heggen- schaar werkt niet	<ul style="list-style-type: none"> ■ Het accupack is niet met de heggenschaar verbonden. 	<ul style="list-style-type: none"> ■ Verbind het accupack met de heggenschaar.
	<ul style="list-style-type: none"> ■ Er is geen elektrisch contact tussen de heggenschaar en accu. 	<ul style="list-style-type: none"> ■ Verwijder het accupack, controleer de aansluitklemmen en plaats het accupack terug.
	<ul style="list-style-type: none"> ■ Het accupack is uitgeput. 	<ul style="list-style-type: none"> ■ Laad het accupack op.
	<ul style="list-style-type: none"> ■ Het accupack is te warm. 	<ul style="list-style-type: none"> ■ Haal het accupack uit het gereedschap en laat afkoelen totdat de temperatuur lager dan 67°C is.
	<ul style="list-style-type: none"> ■ De heggenschaar is te warm. 	<ul style="list-style-type: none"> ■ Laat beide schakelaars los en laat de heggenschaar afkoelen totdat de temperatuur lager dan 77°C is.
	<ul style="list-style-type: none"> ■ De twee schakelaar zijn niet gelijktijdig ingedrukt. 	<ul style="list-style-type: none"> ■ Druk de schakelaars op het voorste en achterste handvat gelijktijdig in.
	<ul style="list-style-type: none"> ■ Het zaagblad zit vast. 	<ul style="list-style-type: none"> ■ Verwijder het accupack uit het gereedschap, verwijder voorzichtig het obstakel, breng vervolgens het accupack opnieuw in en start het gereedschap opnieuw.
Overmatige trilling of geluid	<ul style="list-style-type: none"> ■ Droge of verroeste zaagbladen. 	<ul style="list-style-type: none"> ■ Smeer de zaagbladen. Zie sectie "HET ZAAGBLAD SMEREN" in deze handleiding.
	<ul style="list-style-type: none"> ■ Zaagbladen of zaagbladhouder is gebogen. 	<ul style="list-style-type: none"> ■ Vervang door een nieuw zaagblad of de houder. Neem contact op met het EGO servicecentrum voor het vervangen van het zaagblad of de houder.
	<ul style="list-style-type: none"> ■ Gebogen of beschadigde tanden. 	<ul style="list-style-type: none"> ■ Vervang door een nieuw zaagblad. Neem contact op met het EGO servicecentrum voor het vervangen van het zaagblad.
	<ul style="list-style-type: none"> ■ Losse zaagbladbouten. 	<ul style="list-style-type: none"> ■ Draai de zaagbladbouten vast. Draai de bouten met de klok mee vast met behulp van een moersleutel.

NL

GARANTIE

EGO GARANTIEVOORWAARDEN

Bezoek onze website egopowerplus.com voor alle voorwaarden van de EGO garantie.

LÆS ALLE ANVISNINGER!



LÆS & FORSTÅ BRUGSANVISNING

⚠ Særlig risiko! Folk med elektroniske anordninger, såsom pacemakere, bør spørge deres læge til råds, før de bruger dette produkt. Betjening af elektrisk udstyr i umiddelbar nærhed af en pacemaker kan forårsage forstyrrelser eller svigt af pacemakere.

⚠ ADVARSEL: For at sikre sikkerhed og pålidelighed, bør alle reparationer og udskiftninger udføres af en kvalificeret servicetekniker.

SIKKERHEDSSYMBOLER

Formålet med sikkerhedssymboler er at gøre dig opmærksom på mulige farer. Du bør være meget opmærksom på sikkerhedssymbolerne og forklaringer til dem og lære at forstå dem. Symboladvarslere fjerner ikke i sig selv eventuelle farer.

Anvisningerne og advarslerne er ingen erstatning for korrekte forebyggelsesforanstaltninger mod ulykker.

⚠ ADVARSEL: Sørg for at læse og forstå alle sikkerhedsanvisninger i denne brugsanvisning, inklusive alle sikkerhedssymboler, såsom "FARE", "ADVARSEL" og "FORSIGTIG", før du bruger dette værktøj. Hvis man ikke følger nedenstående anvisninger, kan det medføre elektrisk stød, brand og/eller alvorlig personskade.

SYMBOLBETYDNING

SYMBOL FOR SIKKERHEDSVARSEL: Angiver FARE, ADVARSEL eller FORSIGTIG. Kan anvendes i kombination med andre symboler eller piktogrammer.

⚠ ADVARSEL: Brugen af et elværktøj kan resultere i, at du får fremmedlegemer i øjnene, hvilket kan give alvorlige øjenskader. Inden du begynder at bruge et elværktøj, skal du altid bære beskyttelsesbriller eller sikkerhedsbriller med sidebeskyttelse og om nødvendigt en fuld ansigtsmaske. Vi anbefaler en maske med bredt udsyn til brug over briller eller standardsikkerhedsbriller med sidebeskyttelse.

SIKKERHEDSANVISNINGER

Denne side viser og beskriver sikkerhedssymboler, der kan forekomme på dette produkt. Læs, forstå, og følg alle anvisninger på apparatet, før du forsøger at samle og betjene det.

	Sikkerhedsvarsel	Angiver en potentiel fare for personskade.
	Læs brugsanvisningen	For at mindske risikoen for skader, skal brugeren læse betjeningsvejledningen.
	Må ikke udsættes for regn	ADVARSEL: Må ikke anvendes i regnvejir eller efterlades udendørs, mens det regner.
	Knivens længde	Længden af kniven
	Klippekapacitet	Knivens maks. klippekapacitet
V	Volt	Spænding
A	Ampere	Strøm
Hz	Hertz	Frekvens (cyklusser pr. sekund)
W	Watt	Effekt
min	Minutter	Tid
	Vekselstrøm	Type spænding
	Jævnstrøm	Type af eller egenskab for strøm
n_0	Hastighed uden belastning	Rotationshastighed uden belastning
.../min	Pr. minut	Omdrejninger pr. minut
SPM	Slag i minuttet	Slaghastighed uden belastning

GENERELLE SIKKERHEDSADVARSLER OM ELVÆRKTØJ

⚠ ADVARSEL: Læs alle sikkerhedsadvarslere og -anvisninger. Hvis du ikke følger advarslere og anvisninger, kan det resultere i elektrisk stød, brand og/eller alvorlig personskade.

Gem alle advarslere og anvisninger til fremtidig brug.

Udtrykket "elværktøj" i advarslerne refererer til dit lysnetdrevne (med ledning) elværktøj eller batteridrevne (ledningsfri) elværktøj.

SIKKERHED I ARBEJDSOMRÅDET

- **Hold arbejdsområdet rent og godt oplyst** Rodede eller uoplyste arbejdsområder inviterer til ulykker.
- **Brug ikke elværktøj i eksplosive atmosfærer, såsom ved tilstedeværelse af brændbare væsker, gasser eller støv.** Elværktøj skaber gnister, der kan antænde støv eller dampe.
- **Hold børn og omkringstående på afstand, mens du betjener et elværktøj.** Forstyrrelser kan medføre, at du mister kontrollen.

ELEKTRISK SIKKERHED

- **Stik på elværktøj skal passe til stikkontakten. Lav aldrig om på stikket på nogen måde. Brug ikke adapterstik sammen med jordede (jordforbundne) elværktøj.** Uændrede stik, der passer til kontakterne, nedsætter risikoen for elektrisk stød.
- **Undgå kropskontakt med jordforbundne overflader, såsom rør, radiatorer, komfurer og køleskabe.** Der er en øget risiko for elektrisk stød, hvis din krop bliver jordforbundet.
- **Udsæt ikke elværktøj for regn eller våde forhold.** Vand i et elværktøj øger risikoen for elektrisk stød.
- **Du må ikke mishandle ledningen. Brug aldrig ledningen til at bære eller trække apparatet eller trække stikket ud. Hold ledningen væk fra varme, olie, skarpe kanter eller bevægelige dele.** Beskadigede eller sammenfiltrede ledninger øger risikoen for elektrisk stød.
- **Når et elværktøj benyttes udendørs, skal der bruges en forlængerledning til udendørs brug.** Brug af en forlængerledning til udendørs brug nedsætter risikoen for elektrisk stød.
- **Hvis det ikke kan undgås at benytte apparatet i fugtige omgivelser, så brug et stik med fejlstrømsrelæ.** Anvendelse af et fejlstrømsrelæ mindsker risikoen for elektrisk stød.

PERSONLIG SIKKERHED

- **Vær opmærksom, se, hvad du laver, og brug sund fornuft, når du benytter et elværktøj. Brug ikke apparatet, hvis du er træt eller er påvirket af narkotika, alkohol eller medicin.** Et øjeblik uopmærksomhed ved brug af maskinen kan føre til alvorlige personskader.
- **Brug personlige værnemidler. Bær altid beskyttelsesbriller.** Værnemidler, såsom støvmaske, skridsikre sikkerhedssko, hjelm eller høreværn, der anvendes under passende betingelser, nedsætter risikoen for personskade.

- **Forebyg utilsigtet start. Sørg for kontakten er i slukket position, før værktøjet tilsluttes til strømkilde og/eller batteripakke, samles op eller bæres.** Hvis du bærer elværktøj med fingeren på kontakten eller sætter strøm til elværktøj, der har kontakten tændt, beder du om ulykker.
- **Fjern indstillingsværktøj eller skruenøgler, før elværktøjet startes.** En skruenøgle eller andet værktøj, der sidder i en roterende del af elværktøjet, kan give personskade.
- **Læn dig ikke for langt forover. Stå ordentlig fast og vær hele tiden i balance.** Dette giver bedre kontrol over elværktøjet i uventede situationer.
- **Fornuftig påklædning. Bær ikke løst tøj eller smykker. Hold dit hår, tøj og handsker væk fra bevægelige dele.** Løst tøj, smykker eller langt hår kan blive fanget i bevægelige dele.
- **Hvis der er installeret anordninger for tilslutning af støvudsugnings- og opsamlingsudstyr, så sørg for, at dette tilsluttes og anvendes korrekt.** Anvendelse af støvanordninger kan mindske støvrelaterede risici.

BRUG OG PLEJE AF ELVÆRKTØJ

- **Tving ikke elværktøj. Brug det korrekte elværktøj til det, du skal lave.** Det korrekte elværktøj vil gøre arbejdet bedre og mere sikkert ved den hastighed, som det er designet.
- **Brug ikke elværktøjet, hvis kontakten ikke kan tænde og slukke.** Alt elværktøj, hvor kontakterne ikke dur, er farligt og skal repareres.
- **Træk stikket til apparatets strømforsyning ud af stikkontakten og/eller batteripakken, inden du foretager justeringer, skifter tilbehør eller lægger det til opbevaring.** Sådanne forebyggende sikkerhedsforanstaltninger mindsker risikoen for at starte elværktøjet utilsigtet.
- **Opbevar ubenyttet elværktøj utilgængeligt for børn, og tillad ikke personer, der ikke kender elværktøjet eller disse anvisninger at betjene elværktøjet.** Elværktøj er farligt i hænderne på utrænede brugere.
- **Vedligehold elværktøjet. Kontrollér, at de bevægelige dele ikke er fejljusterede eller binder eller er i en tilstand, der kan påvirke elværktøjets drift.** Få det beskadigede elværktøj repareret før brug. Mange ulykker forårsages af dårligt vedligeholdt elværktøj.
- **Hold skærende værktøj skarpt og rent.** Omhyggeligt vedligeholdte skæreværktøjer med skarpe skærekanter er mindre tilbøjelige til at binde og er lettere at styre;

- **Brug elværktøj, tilbehør og bits osv. i overensstemmelse med disse anvisninger, under hensyntagen til arbejdsforholdene og det arbejde, der skal udføres.** Anvendelse af elværktøj til andre formål end dem, de er beregnet til, kan medføre en farlig situation.

BATTERIVÆRKTØJETS BRUG OG PLEJE

- **Genoplad kun med den oplader, der er angivet af fabrikanten.** En oplader, der er velegnet til én type batteripakke, kan øge risikoen for brand, når den bruges med en anden batteripakke.
- **Anvend kun elværktøj med specifikt anviste batteripakker.** Brug af andre batteripakker kan skabe risiko for personskade og brand.
- **Når batteripakken ikke er i brug, skal den holdes væk fra andre metalgenstande som papirclips, mønter, nøgler, søm, skruer eller andre små metalgenstande, der kan skabe forbindelse fra en pol til en anden.** Kortslutning af batteripolerne kan forårsage forbrændinger eller brand.
- **Ved forkert anvendelse kan der slippe væske ud af batteriet; undgå kontakt. Kommer man uheldigvis i kontakt med væsken: Skyl med vand. Hvis væsken kommer i øjnene, skal man også søge læge.** Væskesprøjt fra batteriet kan forårsage irritation eller forbrændinger.

SERVICE

- **Få dit elværktøj serviceeret af en kvalificeret tekniker, og brug kun originale reservedele.** Dette vil sikre, at elværktøjet fortsat er sikkert.
- **SIKKERHEDSADVARSLER for HÆKKEKLIPPER**
- Hold alle dele af kroppen væk fra knivene. Fjern ikke afklippet materiale, når knivene bevæger sig; klip heller ikke i materiale, der holdes i hånden. Sørg for, at kontakten er slukket, når fastsiddende materiale skal fjernes. Et øjeblik uopmærksomhed ved brug af hækkeklipperen kan medføre alvorlig personskade.
- Bær hækkeklipperen i håndtaget med sværdet stoppet. Ved transport eller opbevaring af hækkeklipperen sættes beskyttelseshylsteret altid på. Korrekt håndtering af hækkeklipperen vil mindske mulig personskade fra knivene.
- Hold kun fast på elværktøjets isolerede greb/håndtag, da kniven kan berøre skjulte ledninger. Knive, der kommer i kontakt med en strømførende ledning kan gøre metaldele på elværktøjet strømførende og give operatøren elektrisk stød.
- Hold kablet væk fra klippeområdet. Under klipningen kan kablet ligge skjult i buskadsset og kan utilsigtet blive ramt af kniven.

- Undersøg hækken for fremmedlegemer før betjening, f.eks. trådhegn.
- Brug kun hækkeklipperen med afskærmningen korrekt monteret. Brugen af hækkeklipperen uden den rette afskærmning kan resultere i alvorlige personskader!
- **Brug begge hænder, når du betjener hækkeklipperen. Ved kun at bruge én hånd, kan miste kontrollen og forårsage alvorlig personskade.**

⚠ ADVARSEL: Undersøg hækken for fremmedlegemer før betjening, f.eks. trådhegn. Brug kun hækkeklipperen med afskærmningen korrekt monteret. Brugen af hækkeklipperen uden den rette afskærmning kan resultere i alvorlige personskader!

VIGTIGE SIKKERHEDSANVISNINGER

- Brug ikke den batteridrevne hækkeklipper i regnvejr.
- Oplad ikke batteripakken i regn eller i våde omgivelser.
- Produktet må kun bruges med batteripakkerne og opladerne, der står på listen i fig. A
- Grib ikke om de fritliggende knive eller skær, når hækkeklipperen samles op eller holdes.
- Må ikke anvendes på stiger, tage, træer eller andet ustabilt underlag. Stabilit fodfæste på en fast overflade giver bedre kontrol over hækkeklipperen i uventede situationer.
- Lad aldrig børn betjene hækkeklipperen.
- Sikkerhedsanordninger må aldrig fjernes eller pilles ved. Undersøg regelmæssigt, om de fungerer korrekt. Gør aldrig noget for at gribe ind den tilsigtede funktion af en sikkerhedsanordning eller reducere den beskyttelse, som en sikkerhedsanordning giver.
- Brug aldrig hækkeklipperen uden korrekt afskærmning, beskyttelsesplader eller andre eksisterende beskyttelsesanordninger.
- Undersøg beskadigede dele, før yderligere brug af hækkeklipperen. En afskærmning eller en anden del, der er beskadiget bør nøje undersøges for at fastslå, om den vil fungere korrekt og opfylde sit tilsigtede formål. Kontrollér, at de bevægelige dele ikke er fejljusterede eller binder eller er i en tilstand, der kan påvirke elværktøjets drift. En afskærmning eller en anden del, der er beskadiget, bør repareres korrekt eller udskiftes af et autoriseret serviceværksted, medmindre andet er angivet i denne vejledning.

- Undersøg med hyppige mellemrum, at sværdets og motorens montagebolte er korrekt strammet til. Efterse også visuelt kniven for skader (f.eks bøjet, revnet og slid). Udskift kun kniven med en kniv fra EGO™.
- Udskift kniven hvis den er bøjet eller revnet. En ubalanceret kniv giver vibrationer, der kan beskadige motoren eller forårsage personskade.
- Hvis udstyret skulle begynde at vibrere unormalt, stoppes motoren og kontrolleres straks for årsagen. Vibrationer er generelt en advarsel om problemer.
- Hækkeklipperens kan anvendes til at skære grene mindre end (33 mm) tykke.
- Klip kun hæk i dagslys eller i god kunstig belysning.
- Fjern eller afbryd batteriet før servicering, rengøring eller fjernelse af materiale fra hækkeklipperen.
- Må ikke vaskes med en slange; undgå at få vand i motor og elektriske forbindelser.
- Ved servicering brug originale reservedele, der er anført i denne vejledning. Brug af dele, der ikke opfylder specifikationerne for det oprindelige udstyr kan føre til dårligere præstationer og bringe sikkerheden i fare.
- Følg anvisningerne for smøring og udskiftning af tilbehør.
- Hold håndtagene tørre, rene og fri for olie og fedt.
- Gem disse anvisninger. Brug dem ofte, og brug dem til at instruere andre, der skal bruge dette værktøj. Hvis du låner nogen dette værktøj, så lad dem få anvisningerne med, så de også undgår fejlbrug af produktet og mulig personskade.

GEM DISSE ANVISNINGER!

SPECIFIKATIONER

Modelnummer	HT5100E	HT6500E
Spænding	56 V	56 V
Ubelastet hastighed	Høj	1600 /min
	Lav	1400 /min
Anbefalet driftstemperatur:	0 °C - 40 °C	
Anbefalet opbevaringstemperatur:	-20°C - 70°C	
Knivens længde	51 cm	65 cm
Klippekapacitet	33 mm	33 mm
Vægt (uden batteri)	3,6 kg	3,8 kg
Målt lydeffektniveau L_{WA}	90 dB(A) K=1,55 dB(A)	91,45 dB(A) K=1,08 dB(A)

Lydtryk tæt ved brugeren L_{PA} K=2,5 dB(A)	81,5 dB(A)	81,4 dB(A)
Garanteret lydeffektniveau L_{WA} (målt i henhold til direktiv 2000/14/EF)	92 dB(A)	93 dB(A)
Vibration a_h K=1,5 m/s ²	Forreste håndtag	3,369 m/s ²
	Bageste håndtag	5,313 m/s ²
		3,115 m/s ²

- Den samlede værdi af angivne vibrationer er målt i overensstemmelse med en standardiseret prøvningsmetode og kan anvendes til at sammenligne et værktøj med et andet
- Den samlede angivne værdi for vibrationer kan også anvendes ved en foreløbig vurdering af eksponeringen.

BEMÆRK: Udsendelsen af vibrationer ved faktisk brug af elværktøjet kan afvige fra den angivne værdi, der hvor værktøjet anvendes. For at beskytte operatøren, bør vedkommende bære handsker og høreværn under de faktiske brugsbetingelser.

PAKKELISTE

DELENS NAVN	ANTAL
Hækkeklipper	1
Skærm	1
Brugsanvisning	1

BESKRIVELSE

KEND DIN HÆKKEKLIPPER (fig. A)

1. Udløserknap til batteriet
2. Baghåndtag
3. Sikkerhedsafbryder
4. Gashåndtag bagpå
5. Knap til hastighedsjustering
6. Forhåndtag
7. Gashåndtag foran
8. Håndskærm
9. Klingskærm
10. Klinge
11. Spidsskærm
12. Lås
13. Kontakter
14. Monteringsstik

15. Udstødningsmekanisme
16. Lås til håndtag
17. Motorhus
18. Skærm

⚠ ADVARSEL: Dette produkt afsendes færdigmonteret. Håndskærmen må aldrig tages af under brug. Hvis den beskadiges, skal den straks udskiftes af en kvalificeret servicetekniker.

⚠ ADVARSEL: Sikker brug af dette produkt kræver en forståelse af oplysningerne om værktøjet og i denne brugsanvisning samt kendskab til det arbejde, du vil udføre. Før brug af dette produkt skal du gøre dig fortrolig med alle funktioner og sikkerhedsregler.

DK

BETJENING

⚠ ADVARSEL: Selvom du kender dette produkt, så bliv ikke skodesløs. Husk, at skodesløshed i en brøkdæl af et sekund kan forvolde betydelig personskade.

⚠ ADVARSEL: Bær altid sikkerhedsbriller med sidebeskyttelse samt høreværn. Uden disse kan man blive ramt af genstande, der kastes ind i øjnene eller forårsager andre alvorlige skader.

⚠ ADVARSEL: For at forebygge utilsigtet start, der kunne forårsage alvorlig personskade, skal man altid fjerne batteripakken fra produktet, når der monteres dele, foretages justeringer, rengøres, eller når den ikke bruges.

⚠ ADVARSEL: Brug ikke påmonteringer eller tilbehør, der ikke anbefales af EGO™. Brugen af påmonteringer eller tilbehør, der ikke anbefales, kan resultere i alvorlige personskader.

Før hver brug, efterses hele produktet for beskadigede, manglende eller løse dele, såsom skruer, møtrikker, bolte, hætter osv. Stram alle møtrikker og hætter helt til, og betjen ikke dette produkt, før alle manglende eller beskadigede dele er udskiftet.

ANVENDELSE

Du kan bruge dette produkt til at klippe hække og buske med en grendiameter på under Ø33 mm i diameter.

BEMÆRK: Værktøjet skal kun bruges til det formål, det er beregnet til. Enhver anden anvendelse anses for at være et tilfælde af fejlbrug.

INSTALLATION / FJERNELSE AF BATTERIPAKKE

Oplad før første brug.

Installation (fig. B)

Flugt batteriets ribber med monteringsrillerne, og tryk batteripakken ned, indtil du hører et "klik".

Adskillelse (fig. C)

Tryk på knappen til batteriudløseren, og træk batteriet ud.

⚠ ADVARSEL: Vær altid opmærksom på dine fødders placering og på børn eller kæledyr omkring dig, når du trykker på udløserknappen til batteriet. Der kan opstå alvorlig skade, hvis batteripakken falder. Fjern ALDRIG batteriet, når du står højt hævet.

START / STOP AF HÆKKEKLIPPER

Før betjening fjernes hylsteret til kniven, og hækkeklipperen holdes med begge hænder: den ene hånd på det bageste håndtag og den anden på det forreste håndtag. Kontrollér så, at du er i balance, står oprejst og i korrekt klippeafstand.

⚠ ADVARSEL: Hold altid begge hænder på hækkeklipperens håndtag. Man må aldrig holde i grene med den ene hånd og betjene hækkeklipperen med den anden. Overholdes denne advarsel ikke, kan det medføre alvorlig personskade.

Start

Tryk sikkerhedsafbryderen ned med håndfladen, og tryk derefter gashåndtaget bagpå opad. Med gashåndtaget bagpå trykket ned, skal du trykke gashåndtaget foran ned, for at starte maskinen.

Stop

Der stoppes ved at slippe et af betjeningsgrebene.

BEMÆRK: Begge betjeningsgreb skal være trykket ned, for at hækkeklipperen kan starte.

BRUG AF HÆKKEKLIPPEREN

⚠ ADVARSEL: Hvis kniven går i stå ved klip i en elledning: RØR IKKE VED KNIVEN! DET KAN BLIVE STRØMFØRENDE OG MEGET FARLIGT. Fortsæt med at holde i hækkeklipperens isolerede bageste håndtag eller læg den ned og væk fra dig på en sikker måde. Afbryd strømmen til det/den kabel/ledning, der er beskadiget, inden du forsøger at frigøre kniven fra kabel eller ledning. Efterkommes denne advarsel ikke, kan det medføre alvorlig personskade eller evt. døden.

⚠ ADVARSEL: For at undgå alvorlig personskade skal man holde hænderne væk fra knivene. Fjern ikke afklippet materiale, når knivene bevæger sig; klip heller ikke i materiale, der holdes i hånden. Sørg for, at knivene er gået helt i stå og batteripakken fjernet, før der fjernes fastklemt materiale fra knivene. Grib ikke om de fritliggende knive eller skær, når hækkeklipperen samles op eller holdes.

⚠ ADVARSEL: Ryd området, hvor der skal klippes, før hver brug. Fjern alle genstande, såsom ledninger, lamper, ståltråd eller snor, der kan blive viklet ind i kniven og skabe risiko for alvorlig personskade.

⚠ ADVARSEL: Undgå at klippe for meget på én gang eller gennem tæt buskads. Dette kan medføre, at knivene binder og går ned i hastighed og gør klipperen mindre effektiv.

BEMÆRK: Ved en ny hæk kan der klippes med en bred fejende bevægelse og lade grenene gå direkte ind i kniven. Ved ældre hække er en savende bevægelse velegnet til klipping af tykkere grene. Det foreslås først at bruge en håndsav eller grensav til at fjerne tykke grene med.

Klipning i toppen

Klip med en bred fejende bevægelse. En svag nedadgående hældning af knivene i bevægelsesretningen giver den bedste klipping. Hvis klippingen skal være rigtig god, kan du også bruge en snor til at klippe efter. Se fig. D.

Klipning på siderne

Når hækens skal klippes, så begynd fra neden af, og klip opad. Se fig. E1-E2.

Klipning i en bue

Hækkeklipperens bagerste håndtag har fem forskellige indstillinger ($0^\circ/\pm 45^\circ/\pm 90^\circ$), som kan justeres ved at trække i hagen (fig. F1-F5). Hvis du skal klippe i en bue, skal det bageste håndtag indstilles til $\pm 45^\circ$ (fig. F2-F4).

⚠ ADVARSEL: Klingen på ikke køre, når håndtaget justeres.

Bemærk: Under brug, skal håndtaget altid vende opad, uanset hvordan hækkeklipperen er rettet.

Spidsskærm

Spidsskærm (fig. G) bruges til at beskytte spidsen af klingens.

Klingskærm

Den ydre del af klingens er udformet som en klingskærm (fig. H).

H-1	Klinge
H-2	Klingskærm

⚠ ADVARSEL: Sørg altid for at klingskærmen ikke er beskadiget eller skæv. Skift skærmen, hvis den er blevet beskadiget eller skæv.

VEDLIGEHOLDELSE

⚠ ADVARSEL: Ved service må der kun bruges originale reservedele. Brug af andre reservedele kan medføre fare eller forårsage skader på produktet. For at sikre sikkerhed og pålidelighed skal alle reparationer udføres af en kvalificeret servicetekniker.

⚠ ADVARSEL: For at undgå alvorlig personskade skal batteripakken altid fjernes fra produktet, når der skiftes tilbehør, under rengøring eller vedligeholdelse.

RENGØRING

- Brug en blød børste til at fjerne snavs fra alle luftindtag og kniv.
- Beg eller tjære og andre klæbrige stoffer fjernes ved at sprøjte knivene med opløsningsmiddel på grundlag af kunsharpiks. Lad motoren køre kortvarigt, så opløsningsmidlet fordeles jævnt.
- Tør eftermed en tør klud.

⚠ ADVARSEL: Brug aldrig vand til rengøring af din hækkeklipper. Undgå at bruge opløsningsmidler ved rengøring af plastdele. De fleste plastmaterialer risikerer at blive ødelagt ved brug af forskellige typer af alment tilgængelige opløsningsmidler. Brug rene klude til at fjerne snavs, støv, olie, fedt etc.

SLIBNING AF KNIVE

1. Fjern batteripakken fra din hækkeklipper.
2. Sæt knivdelen fast i en skruestik, og slib den fritliggende skæreflade på hver af knivens tænder. Slib så let som muligt.
3. Tag hækkeklipperen ud af skruestikket, og få den uslebne del til at ligge frit. Gentag ovennævnte procedurer, indtil alle knivens tænder er slebet.

BEMÆRK: Brug ikke din hækkeklipper med sløve eller beskadigede knive. Dette kan medføre overbelastning og vil give en utilfredsstillende klipping.

SMØRING AF KNIV

Arbejdet er lettere, og kniven holder længere, hvis man smører hækkeklipperens kniv med let motorolie før og efter hver brug.

Fjern batteripakken, og læg hækkeklipperen på en flad overflade. Hæld olien langs kanten af den øverste kniv.

BEMÆRK: Ved længere arbejdsperioder smøres kniven løbende under arbejdet.

⚠ ADVARSEL: Må ikke smøres, mens hækkeklipperen kører.

SMØRING AF GEARKASSEN

For optimal drift og længere levetid, skal du smøre gearkassen med en særlig slags fedt (5-6 g. Første gang, 10-12 g anden gang) efter hver 25 timers brug.

BEMÆRK: Kontakt venligst din lokale ego-forhandler for hjælp.

Det særlige fedt, skal opfylde følgende krav.

1. Tilhører DIN51818: NLGI-2-kegle indtrængningsgrad.
2. Består af polyureafortyningsmidler + syntetisk smøreolie.
3. Fremragende start i lave temperaturer, EP, mekanisk forskydning, slidstærk og oxidative stabilitetsegenskaber.
4. Driftstemperaturen skal være inden for -40 ~ 180 °C.

TRANSPORT OG OPBEVARING

- Anbring altid knivhylsteret på kniven, før opbevaring eller transport af hækkeklipperen. Vær forsigtig, og undgå knivens skarpe tænder.
- Rengør hækkeklipperen grundigt før opbevaring.
- Opbevar hækkeklipperen indendørs på et tørt sted, der er utilgængeligt for børn.
- Holdes væk fra ætsende stoffer, såsom havekemikalier og vejsalt.

⚠ ADVARSEL: Knivene er skarpe. Ved håndtering af knivdelen bæres skridsikre og kraftige handsker. Placér ikke din hånd eller dine fingre mellem knivene eller andre steder, hvor de kunne blive klemt eller snittet. Rør ALDRIG knivene, og udfør heller ikke service på apparatet med batteripakken isat.

Beskyttelse af miljøet



Smid ikke elektrisk udstyr, batterioplader og batterier / genopladelige batterier i affaldsspanden!

Ifølge EU-direktiv 2012/19/EU og EU-direktiv 2006/66/EF skal henholdsvis elektrisk og elektronisk udstyr, der ikke længere er brugbart, og defekte eller brugte batterier / batteripakker indsamles særskilt.

Hvis elektriske apparater smides på lossepladsen eller affaldsdeponier kan der sive giftige stoffer ned i grundvandet og komme ud i fødekæden og gøre skade på menneskers sundhed og velfærd.

FEJLFINDING

PROBLEM	ÅRSAG	LØSNING
Hækkeklipperen virker ikke	<ul style="list-style-type: none"> ■ Batteripakken er ikke sat på hækkeklipperen. 	<ul style="list-style-type: none"> ■ Sæt batteripakken på hækkeklipperen.
	<ul style="list-style-type: none"> ■ Ingen elektrisk kontakt mellem hækkeklipper og batteri 	<ul style="list-style-type: none"> ■ Fjern batteriet, kontrollér kontakterne, og sæt batteripakken på igen.
	<ul style="list-style-type: none"> ■ Batteripakken er afladet. 	<ul style="list-style-type: none"> ■ Oplad batteripakken.
	<ul style="list-style-type: none"> ■ Batteripakken er for varm. 	<ul style="list-style-type: none"> ■ Fjern batteripakken fra værktøjet, og lad det køle indtil temperaturen falder til under 67 °C.
	<ul style="list-style-type: none"> ■ Hækkeklipperen er for varm. 	<ul style="list-style-type: none"> ■ Slip begge betjeningsgreb; lad hækkeklipperen køle, indtil temperaturen falder til under 77 °C.
	<ul style="list-style-type: none"> ■ De to betjeningsgreb er ikke trykt ned samtidigt. 	<ul style="list-style-type: none"> ■ Tryk forreste og bageste betjeningsgreb ned samtidigt.
	<ul style="list-style-type: none"> ■ Kniven sidder fast. 	<ul style="list-style-type: none"> ■ Fjern batteripakken fra værktøjet, fjern forsigtigt det, der sidder i klemme, og sæt så batteriet på igen, og genstart værktøjet.
Kraftig vibration eller støj	<ul style="list-style-type: none"> ■ Tørre eller rustne knive. 	<ul style="list-style-type: none"> ■ Smør knivene i overensstemmelse med afsnittet "SMØRING AF KNIV" på denne vejledning.
	<ul style="list-style-type: none"> ■ Knive eller skinne er bøjet. 	<ul style="list-style-type: none"> ■ Udskift med en ny kniv eller skinne. Kontakt EGO's servicecenter og bed om hjælp til udskiftning af kniv eller skinne.
	<ul style="list-style-type: none"> ■ Bøjede eller beskadigede tænder. 	<ul style="list-style-type: none"> ■ Udskift med en ny kniv. Kontakt EGO's servicecenter for udskiftning af kniv.
	<ul style="list-style-type: none"> ■ Løse knivbolte 	<ul style="list-style-type: none"> ■ Spænd knivboltene. Med en skruenøgle drejes boltene med uret for at spænde.

DK

GARANTI

EGO's GARANTIPOLITIK

Besøg venligst hjemmesiden egopowerplus.com for fuldstændige vilkår og betingelser for EGO's garantipolitik.

LÄS IGENOM ALLA INSTRUKTIONER!



LÄS IGENOM OCH FÖRSTÅ BRUKSANVISNINGEN

⚠ Kvarstående risker! Personer med elektroniska implantat såsom hjärtstimulatorer bör konsultera sin(a) läkare innan de använder denna produkt. Användning av elutrustning nära en hjärtstimulator kan störa eller avbryta dess funktion.

⚠ VARNING! Alla reparationer bör utföras av en kvalificerad servicetekniker för att upprätthålla produktens säkerhet och driftsäkerhet.

SE

SÄKERHETSSYMBOLER

Syftet med säkerhetssymboler är att fästa din uppmärksamhet på eventuella risker. Säkerhetssymbolerna och deras betydelser bör uppmärksammas nogga och förstås. Själva varningssymboler kan dock inte förebygga någon fara.

De instruktioner och varningar som de hänvisar till kan aldrig ersätta lämpliga olycksförebyggande åtgärder.

⚠ VARNING! Se till att läsa igenom och förstå alla säkerhetsinstruktioner i bruksanvisningen, inklusive alla varningssymboler såsom **“RISK”**, **“VARNING”** och **“VAR FÖRSIKTIG”**, innan produkten tas i bruk.

Underlåtenhet att följa alla nedan angivna instruktioner kan leda till elstöt, brand och/eller svår personskada.

SYMBOLERNAS BETYDELSE

A SÄKERHETSRELATERAD VARNINGSSYMBOL: Betecknar **RISK**, **VARNING** eller **VAR FÖRSIKTIG**. Kan förekomma i samband med andra symboler eller piktoqram.

⚠ VARNING! Arbete med eldrivna verktyg kan medföra att främmande föremål slungas upp i ögonen vilket kan orsaka svåra ögonskador. Ta alltid på dig skyddsglasögon eller skyddsglasögon med sidoskydd och vid behov ett komplett ansiktsskydd innan du börjar arbeta med eldrivna verktyg. Vi rekommenderar att använda en Bred skyddsmask ovanpå glasögon eller vanliga skyddsglasögon med sidoskydd.

SÄKERHETSINSTRUKTIONER

På denna sida anges säkerhetssymboler som kan förekomma på produkten. Alla instruktioner som anges på enheten bör granskas, förstås och följas innan du försöker montera och använda den.

	Säkerhetsvarning	Hänvisar till eventuell risk för personskada
	Läs igenom bruksanvisningen	Användaren bör läsa igenom bruksanvisningen för att minska risken för personskada.
	Får inte utsättas för regn	WARNING! Får inte användas i regn eller lämnas utomhus medan det regnar.
	Svärdlängd	Svärdlängd
	Skärkapacitet	Max skärkapacitet av svärdet
V	Volt	Spänning
A	Ampere	Ström
Hz	Hertz	Frekvens (cykler per sekund)
W	Watt	Effekt
min	Minuter	Tid
	Växelström	Strömtyp
	Likström	Strömtyp eller -specifikation
n_0	Obelastad hastighet	Rotationshastighet obelastat
... /min	Per minut	Rotationer per minut
SPM	Slag per minut	Slaghastighet obelastat

ALLMÄNNA SÄKERHETSVARNINGAR FÖR ELDRIVNA VERKTYG

⚠ VARNING! Läs igenom alla säkerhetsvarningar och instruktioner. Underlåtenhet att följa varningarna och instruktionerna kan leda till elstöt, brand och/eller svår personskada.

Spara alla varningar och instruktioner för framtida behov.

Termen “eldrivna verktyg” i varningarna hänvisar till ditt nätdrivna (med sladd) eller batteridrivna (sladdlösa) elverktyg.

SÄKERHET I ARBETSOMRÅDET

- **Håll arbetsområdet rent och väl belyst.** Stökiga eller mörka arbetsområden kan leda till olyckor.
- **Eldrivna verktyg får inte användas i explosiva miljöer** såsom i närvaro av lättantändliga vätskor, gaser eller damm. Eldrivna verktyg kan avge gnistor som kan tända damm eller ångor.
- **Håll barn och obehöriga på avstånd under arbete med eldrivna verktyg.** Distractioner kan få dig att tappa kontrollen.

ELSÄKERHET

- **Stickproppen av den elektriska enheten ska passa uttaget.** Stickproppen får aldrig modifieras på något sätt. Använd inga adapterstickproppar med jordade elektriska enheter. Omodifierade stickproppar och lämpliga uttag minskar risken för elstöt.
- **Undvik kroppskontakt med jordade ytor** såsom rör, radiatorer, elspisar och kylskåp. Risken för elstöt ökar när din kropp är jordad.
- **Eldrivna verktyg får inte utsättas för regn eller väta.** Intrång av vatten i verktyget ökar risken för elstöt.
- **Sladden får inte utsättas för påfrestningar.** Använd inte sladden för att bära, dra eller koppla ur laddaren. Håll laddaren borta från hög värme, olja, vassa kanter eller rörliga detaljer. Skadade eller tilltrasslade sladdar ökar risken för elstöt..
- **Om ett eldrivet verktyg används utomhus, använd en förlängningssladd som är lämplig för utomhusbruk.** Sladdar för utomhusbruk minskar risken för elstöt.
- **Om användning av ett eldrivet verktyg i en fuktig miljö är oundviklig, använd ett strömnät som är skyddat med en jordfelsbrytare (RCD).** Användning av jordfelsbrytare minskar risken för elstöt.

PERSONLIG SÄKERHET

- **Var uppmärksam, se vad du gör och använd sunt förnuft vid användning av ett eldrivet verktyg.** Eldrivna verktyg får inte användas medan du är trött eller påverkad av narkotika, alkohol eller läkemedel. Ett ögonblicks ouppmärksamhet under användning av ett eldrivet verktyg kan leda till svåra personskador.
- **Använd personlig skyddsutrustning.** Använd alltid skyddsglasögon. Skyddsutrustning såsom dammask, halkfria säkerhetsskor, hjälm eller hörselskydd som är lämplig för aktuella förhållanden förebygger personskador.

- **Undvik oavsiktlig start.** Se till att huvudströmbrytaren är i avstängt läge innan du ansluter verktyget och/eller batteripaket eller lyfter upp eller bär verktyget. Olyckor kan hända om du bär eldrivna verktyg med fingret på strömbrytaren eller startar eldrivna verktyg med strömbrytaren i påslaget läge.
- **Avlägsna eventuell justeringsnyckel eller annan nyckel innan verktyget slås på.** En nyckel som har lämnats på ett roterande maskindel kan orsaka personskador.
- **Sträck dig inte för långt. Se till att du hela tiden har säker fotfäste och balans.** Så har du bättre kontroll över det eldrivna verktyget i oväntade situationer.
- **Ha på dig lämpliga kläder.** Använd inga löst sittande kläder eller smycken. Håll håret, kläderna och handskarna borta från rörliga detaljer. Lösa kläder, smycken eller långt hår kan fastna i rörliga detaljer.
- **Vid verktyg som är försedda med anslutningar för utsugning och uppsamling av damm ska du se till att dessa ansluts och används korrekt.** Användning av dammsug kan minska dammrelaterade risker.

ANVÄNDNING OCH SKÖTSEL AV ELDRIVNA VERKTYG

- **Det eldrivna verktyget får inte överbelastas.** Använd ett lämpligt verktyg för det aktuella arbetet. Rätt verktyg fungerar bättre och säkrare vid hastigheter som det är avsett för.
- **Det eldrivna verktyget får inte användas om dess huvudströmbrytare inte fungerar.** Ett eldrivet verktyg som inte kan styras med huvudströmbrytaren är farligt och ska repareras.
- **Koppla loss stickproppen från uttaget och/eller batteripaket från det eldrivna verktyget före justering, byte av tillbehör eller förvaring.** Sådana förebyggande säkerhetsåtgärder minskar risken för oavsiktlig start.
- **Eldrivna verktyg som inte används ska förvaras oåtkomligt för barn.** Ingen person som inte är förtrogen med det eldrivna verktyget eller dessa instruktioner får använda det eldrivna verktyget. Eldrivna verktyg är farliga i händerna på okunniga användare.
- **Ta hand om eldrivna verktyg.** Kontrollera dem för skevning eller kärvning av rörliga detaljer, skada på detaljer eller annat som kan påverka verktygets funktion. Ett skadat eldrivet verktyg ska repareras innan det används igen.
- **Många olyckor orsakas av bristande underhåll av eldrivna verktyg.** Håll skärverktyg vassa och rena. Välskötta skärverktyg med vassa skärblad kärvar mindre och är lättare att styra.

- Använd det eldrivna verktyget samt dess tillbehör, bits osv i enlighet med dessa instruktioner och med hänsyn till de aktuella arbetsförhållandena och arbetet som ska utföras. Användning av eldrivna verktyg för ej avsedda ändamål kan medföra risk

ANVÄNDNING OCH SKÖTSEL AV BATTERIDRIVNA VERKTYG

- Ladda endast med en laddare som har specificerats av tillverkaren. En laddare som är lämplig för en typ av batteripack kan orsaka brandrisk om den används med något annat batteripack.
- Eldrivna verktyg får endast användas med batteripack som är uttryckligen avsedda för dem. Användning av andra batteripack kan medföra risk för personskada och brand.
- När batteripacket ställs av ska det hållas avskilt från andra metallföremål såsom gem, mynt, nycklar, spikar, skruvar eller andra små metallföremål som kan skapa en anslutning mellan batteripoler. Kortslutning av batteripoler kan leda till brännskador eller brand.
- Vid felaktig användning kan batteriet läcka vätska; undvik kontakt med vätskan. Skölj med vatten vid oavsiktlig hudkontakt. Om vätskan kommer i kontakt med ögonen, sök även läkarhjälp. Batterivätska kan orsaka irritation eller brännskador.

SERVICE

- Service bör utföras av en kvalificerad reparatör och endast med identiska reservdelar. Detta upprätthåller säkerheten av det eldrivna verktyget.

SÄKERHETSVARNINGAR FÖR HÄCKSAXEN

- Håll alla kroppsdelar borta från svärdet. Försök inte att ta bort avklippt material eller hålla i materialet som ska klippas av medan skärbladen är i rörelse. Se till att huvudströmbrytaren är i avstängt läge när du ska ta bort fastnat material. Ett ögonblicks uppmärksamhet under arbete med häcksaxen kan leda till svåra personskador.
- Bär häcksaxen i handtaget och med avstängda skärblad. Sätt alltid på svärdskyddet när häcksaxen ska transporteras eller ställas av. Korrekt hantering av häcksaxen minskar risken för personskada pga skärblad.
- Håll endast i de isolerade greppytorna av det eldrivna verktyget eftersom skärbladen kan komma i kontakt med dolda elkablar. Vid kontakt med spänningssatta kablar kan skärbladen göra verktygets oisolerade metalldelar spänningsförande och ge användaren en elstöt.

- Håll kabeln borta från klippningsområdet. Under arbetet kan kabeln döljas av grenar och skadas av skärbladen av misstag.
- Kontrollera häcken för främmande föremål (t ex en trådstängsel) före arbetet.
- Använd häcksaxen endast med korrekt påmonterat skydd. Användning av häcksaxen utan korrekt skydd kan leda till svåra personskador!
- Håll i häcksaxen med båda händerna under arbetet. Annars kan du tappa kontrollen vilket kan leda till svåra personskador.

⚠ VARNING! Kontrollera häcken för främmande föremål (t ex en trådstängsel) innan arbetet påbörjas. Använd häcksaxen endast med korrekt påmonterat skydd. Användning av häcksaxen utan korrekt skydd kan leda till svåra personskador!

VIKtiga SÄKERHETSINSTRUKTIONER

- Den batteridrivna häcksaxen får inte användas i regn.
- Batteripacket får inte laddas i regn eller vata.
- Använd endast med de batteripack och laddare som listas i bild A.
- Ta inte i det oskyddade svärdet eller skärbladen när du lyfter upp eller håller i häcksaxen.
- Stå aldrig på en stege, ett tak, ett träd eller annat ostadigt underlag. Säker fotfäste på ett stadigt underlag möjliggör bättre kontroll över häcksaxen i oväntade situationer.
- Låt aldrig barn använda häcksaxen.
- Säkerhetsanordningarna får aldrig avlägsnas eller ändras. Kontrollera deras funktion regelbundet. Man får inte på något sätt störa den avsedda funktionen av en säkerhetsanordning eller minska dess skyddsnivå.
- Häcksaxen får inte användas utan korrekt påmonterat skydd, skärmar eller andra säkerhetsanordningar
- Kontrollera häcksaxen för skadade detaljer före användning. Ett skadat skydd eller annan detalj bör kontrolleras noggrant för att se om det fungerar korrekt och fyller dess avsedda funktion. Kontrollera att rörliga detaljer inte sitter snett eller kärvar, kontrollera ev skadade detaljer, montering och allt annat som kan påverka användningen. Ett skadat skydd eller annan detalj ska repareras eller bytas ut på en auktoriserad serviceverkstad om inte annat anges i bruksanvisningen.

- Kontrollera åtdragningen av svärdets och motorns fästbultar ofta. Granska svärdet för skada (t ex böjning, sprickning eller nötning). Svärdet får endast bytas ut mot ett motsvarande svärd av EGO™.
- Ett böjt eller sprucket svärd ska bytas ut. Ett dåligt balanserat svärd orsakar vibration som kan skada motorenheten eller leda till personskada.
- Om verktyget vibrerar onormalt, stanna motorn och kontrollera verktyget omedelbart för att identifiera orsaken. Oftast tyder vibration på problem.
- Saxen får användas för att klippa grenar med tjocklek under 33 mm.
- Klipp endast i dagsljus eller vid bra belysning.
- Ta ur eller koppla ur batteriet före service eller rengöring eller innan häcksaxen rengörs från avklippt material.
- Verktyget får inte spolas med en slang; undvik intrång av vatten i motorn och elkopplingarna
- Vid service får man endast använda identiska reservdelar enligt listan i bruksanvisningen. Användning av detaljer som inte motsvarar originaldetaljernas specifikationer kan leda till bristande funktion och äventyra säkerheten.
- Följ instruktionerna för smörjning och byte av tillbehör.
- Håll handtagen torra, rena och fria från olja och smörjmedel.
- Spara dessa instruktioner. Läs dem ofta och använd dem för att instruera eventuella övriga användare av enheten. Om du lånar enheten till någon bör dessa instruktioner följa med för att förebygga eventuell fel användning och personskada.

SPARA DESSA INSTRUKTIONER!

SPECIFIKATIONER

Modellnr	HT5100E	HT6500E
Spänning	56 V ---	56 V ---
Obelastad hastighet	Hög	1600 /min
	Låg	1400 /min
Rekommenderad drifttemperatur:	0 °C - 40 °C	
Rekommenderad förvaringstemperatur:	-20 °C - 70 °C.	
Svärdlängd	51 cm	65 cm
Skärkapacitet	33 mm	33 mm
Vikt (utan batteripack)	3,6 kg	3,8 kg

Uppmätt ljudeffektnivå L_{WA}	90 dB(A) K=1,55 dB(A)	91,45 dB(A) K=1,08 dB(A)
Ljudtrycksnivå vid operatörens position L_{PA} K=2,5 dB(A)	81,5 dB(A)	81,4 dB(A)
Garanterad ljudeffektnivå L_{WA} (uppmätt i enlighet med 2000/14/EC)	92 dB(A)	93 dB(A)
Vibration a_{T1} K=1,5 m/s ²	Främre handtag	3,369 m/s ²
	Bakre handtag	1,876 m/s ²
		5,313 m/s ²
		3,115 m/s ²

- Det angivna totalvärdet för vibration är uppmätt enligt standardprovningemetoden och kan användas för att jämföra olika verktyg;
- Det angivna totalvärdet för vibration kan även användas vid preliminär utvärdering av exponering.

OBS! Den verkliga vibrationen under arbete med det eldrivna verktyget kan avvika från det angivna värdet. Användaren bör ha på sig lämpliga handskar och hörselskydd för de aktuella arbetsförhållandena för att skydda sig

LEVERANSLISTA

ARTIKEL	ANTAL
Häcktrimmer	1
Skydd	1
Bruksanvisning	1

BESKRIVNING

LÄRA KÄNNA DIN HÄCKTRIMMER (bild A)

1. Frigöringsknapp för batteriet
2. Bakre handtag
3. Lås av-kontroll
4. Bakre omkopplingsspak
5. Justeringsratt för hastighet
6. Främre handtag
7. Främre omkopplingsspak
8. Handskydd
9. Skärbladsskydd
10. Skärblad
11. Spetskydd
12. Spärr

13. Elektriska kontakter
14. Monteringsplats
15. Utmatningsmekanism
16. Handtagslås
17. Motorhölje
18. Skydd

⚠ VARNING! Denna produkt levereras helt monterad. Handskyddet får aldrig tas bort under användning. Om det är skadat, låt en kvalificerad servicetekniker byta ut det omedelbart.

⚠ VARNING! Säker användning av produkten förutsätter att man har förstått informationen om enheten och informationen i denna bruksanvisning samt är förtrogen med arbetet som ska utföras. Lär känna alla funktioner och säkerhetsregler innan produkten tas i bruk.

SE

ANVÄNDNING

⚠ VARNING! Var aldrig vårdslös, även om du är väl förtrogen med verktyget. Glöm inte att en bråkdel av en sekund av ouppmärksamhet är tillräcklig för att orsaka svåra personskador.

⚠ VARNING! Använd alltid skyddsglasögon med sidoskydd och hörselskydd. Annars kan det förekomma ögonskador pga utslungade föremål och andra svåra personskador.

⚠ VARNING! För att förhindra att maskinen startas oavsiktligt, vilket kan orsaka allvarliga personskador, ta alltid ut batteriet ur verktyget vid montering av delar, justeringar, rengöring eller när den inte används.

⚠ VARNING! Använd inga detaljer eller tillbehör som inte rekommenderas av EGO™. Användning av ej rekommenderade detaljer eller tillbehör kan leda till svåra personskador.

Kontrollera hela produkten för skadade, saknade eller lösa detaljer såsom skruvar, muttrar, bultar, lock osv före varje användning. Dra åt alla fästen och lock noga och använd produkten först när alla saknade eller skadade detaljer är utbytta.

TILLÄMPNING

Du kan använda denna produkt för att trimma häckar, buskar vars grenar har en diameter som är mindre än Ø33 mm.

OBS! Verktyget får endast användas för sitt avsedda ändamål. All annan användning bedöms som felaktig användning.

INSTALLERA/TA UT BATTERIPACKET

Ladda före första användning.

Installation (bild B)

Rikta in listerna på batteriet med monteringsspåren och tryck sedan ner batteripacket tills du hör ett "klick".

Borttagning (bild C)

Tryck in frigöringsknappen för batteriet och dra sedan ur batteripacket.

⚠ VARNING! Var alltid medveten om placeringen av dina fötter och var eventuellt närvarande barn eller husdjur befinner sig medan du trycker på lossningsknappen för batteriet. Ett tappat batteripack kan orsaka svåra skador. Ta ALDRIG ut batteripacket på ett högt belägen plats.

STARTA/STOPPA HÄCKTRIMMERN

Före användning, ta bort skärbladsskyddet och håll trimmern med båda händerna, en på det bakre handtaget och den andra på det främre handtaget. Se sedan till att du har ett bra fotfäste, upprättstående position och ett lämpligt skärningsavstånd.

⚠ VARNING! Håll handtagen med båda händerna hela tiden. Försök aldrig att hålla grenarna med ena handen medan du använder häcksaxen med den andra. Underlåtenhet att följa denna varning kan leda till svåra personskador.

Starta

Tryck ner Lås av-kontrollen med handflatan och tryck sedan den bakre omkopplingsspaken uppåt. Med den bakre omkopplingsspaken upptryckt, fortsatt trycka in den främre omkopplingsspaken för att starta.

Stoppa

Släpp upp någon av spakarna för att stoppa maskinen.

OBS! Båda spakarna måste hållas in för att häcktrimmern ska starta.

ANVÄNDNING AV HÄCKSAXEN

⚠ VARNING! Om svärdet skär i en elkabel eller -linje, RÖR INTE VID SVÄRDET! DET KAN VARA SPÄNNINGSFÖRANDE OCH YTTERRST FARLIGT. Fortsätt att hålla häcksaxen i det isolerade bakre handtaget eller lägg ner den så att den riktas bort från dig på ett säkert sätt. Koppla ur strömmen till den skadade kabeln eller linjen innan du försöker att lossa svärdet från kabeln eller linjen. Underlåtenhet att följa denna varning medför risk för svåra personskador eller död.

⚠ VARNING! Håll händerna borta från skärbladen för att förebygga svåra personskador. Försök inte att ta bort avklippt material eller hålla materialet som ska klippas av medan skärbladen är i rörelse. Se till att skärbladen har stannat helt och batteripacket är avlägsnat innan du rengör skärbladen från fastnat material. Ta inte i det oskyddade svärdet eller skärbladen medan du lyfter upp eller håller i enheten.

⚠ VARNING! Förbered klippningsområdet före varje användning. Avlägsna alla föremål såsom kablar, lampor, metalltråd eller snören som kan fastna i skärbladen och medföra risk för svåra personskador.

⚠ VARNING! Undvik att trimma för mycket på en gång eller att köra genom kraftigt buskage. Det kan få skärbladen att hamna i kläm och sakta ner, vilket minskar effektiviteten.

OBS! Vid nytt buskage är stora svep lämpliga för att trycka in stammarna direkt i skärbladet. Vid äldre buskage är en sågande rörelse lämplig för att trimma tjockare stammar. En handsåg eller beskärningssåg rekommenderas för att trimma stora stammar först.

Hög beskärning

Använd en bred svepande rörelse. Luta skärbladen något i nedgående riktning mot beskärningens riktning för bästa resultat. För bättre skäreffekt kan du använda strängen som vägledning för häckens nivå (bild D).

KLIPPNING AV SIDORNA

När du klipper häckens sidor, börja nerifrån och flytta saxen uppåt (bild E1 eller E2)

Kapning i marknivå

Häcktrimmerns bakre handtag kan ställas in i 5 olika positioner ($0^\circ/\pm 45^\circ/\pm 90^\circ$) genom att spärren dras ut (bild F1 till F5). Om kapning i marknivå krävs, ställ in det bakre handtaget i $\pm 45^\circ$ (bild F2 och F4) för att kapa.

⚠ VARNING! Skärbladet får inte vara i drift vid justering av handtaget.

OBS! Under arbetet måste handtaget alltid vara vänt uppåt oberoende av häcktrimmerns riktning.

Spetssskydd

Spetssskyddet (bild G) används för att skydda skärbladets yttersta del.

Skärbladsskydd

Skärbladens yttersta del är formad efter skärbladsskydden (bild H).

H-1	Skärblad
H-2	Skärbladsskydd

⚠ VARNING! Kontrollera alltid att skärbladsskyddet inte är skadat eller ur position. Byt ut det om det böjts eller skadats.

UNDERHÅLL

⚠ VARNING! Använd endast identiska reservdelar vid service. Användning av andra detaljer kan leda till risker eller skada på produkten. Alla reparationer bör utföras av en kvalificerad servicetekniker för att upprätthålla säkerhet och driftssäkerhet.

⚠ VARNING! Ta alltid ut batteripacket ur produkten före rengöring eller underhåll för att undvika svåra personskador.

RENGÖRING

- Använd en mjuk borste för att rengöra alla luftintag och svärdet från skräp.
- Spraya skärbladen med hartslösningsmedel för att avlägsna harts och andra kläbbiga ämnen. Kör motorn för en stund för att sprida lösningsmedlet jämnt.
- Torka ytan med en ren tras.

⚠ VARNING! Använd aldrig vatten för att rengöra saxen. Undvik användning av lösningsmedel vid rengöring av plastdetaljer. De flesta plastmaterialen är känsliga mot olika vanliga lösningsmedel. Använd rena trasor för att avlägsna smuts, damm, olja, smörjmedel osv.

VÄSSA SKÄRBLADET

1. Ta ut batteripacket från häcktrimmern.
2. Fäst svärdet i ett skruvstöd och fila de blottade skärtyrorna av varje skärtand. Fila av så lite material som möjligt. Se till att den ursprungliga vinkeln av varje tand upprätthålls.
3. Ta bort häcktrimmern från städet och justera det oslipade skärbladet så att det vis. Upprepa ovanstående förfaranden tills alla sågtänder har vässats.

OBS! Använd inte häcksaxen med slöa eller skadade skärblad. Detta kan orsaka överbelastning och ge dåliga arbetsresultat.

SMÖRJA IN SKÄRBLADET

Smörj häcksaxens svärd med lätt maskinolja före och efter varje användning för bästa arbetsresultat och längre livslängd av svärdet.

Ta ut batteripacket och lägg trimmern på en platt yta. Applicera oljan längs med kanten på det över knivbladet.

OBS! För långvarig användning, olja in skärbladet under beskärningen.

⚠ VARNING! Häcksaxen får inte oljas medan den är påslagen.

SMÖRJA VÄXELLÅDAN

För bästa drift och längre livslängd, smörj häcktrimmerns växellåda med specialfett (5-6g i #1 och 10-12g i #2 varje gång) efter varje 25 timmars användning.

NOTERA: Kontakta din lokala ego serviceåterförsäljare för hjälp.

Specialfettet skall uppfylla följande krav:

1. Tillhör DIN51818: NLGI-2 konpenetreringsgrad.
2. Består av polyurea-förtjockningsmedel + syntetisk smörjolja.
3. Excellent lågtemperaturstart, EP, mekanisk skjuvning, friktionsmotståndskraftig och oxideringsstabila egenskaper.
4. Drifttemperatur måste vara -40~180 °C.

TRANSPORTERING OCH FÖRVARING

- Sätt alltid svärdskyddet på svärdet innan du ställer av eller transporterar häcksaxen. Var försiktig och undvik de vassa skärbladen.
- Rengör häcksaxen noga innan den ställs av
- Förvara häcksaxen inomhus, i ett torrt ställe och oåtkomligt för barn.
- Håll saxen borta från korrosiva ämnen såsom trädgårdskemikalier och avisningssalter.

⚠ VARNING! Skärbladen är vassa. Ha på dig halkfria, starka skyddshandskar medan du hanterar svärdsenheten. Placera aldrig handen eller fingrarna mellan skärbladen eller i vilken som helst position där de kan komma i kläm eller få skärsår. Rör ALDRIG vid skärbladen eller utför underhåll medan batteripacket sitter på verktyget.

Miljöskydd



Elektriska enheter, batteriladdare och batterier/uppladdningsbara batterier får inte kastas med hushållsavfall!

Enligt det europeiska direktivet 2012/19/EU ska uttjänta elektriska och elektroniska enheter samlas separat och hanteras på ett miljövänligt sätt; samma gäller för defekta eller uttjänta batteripack/batterier enligt det europeiska direktivet 2006/66/EG.

Om elektriska enheter hamnar i soptippor eller avfallsdepåer kan farliga ämnen läcka ut till grundvattnet, hamna i näringskedjan och skada din hälsa och ditt välmående.

FELSÖKNING

PROBLEM	ORSAK	LÖSNING
Häcksaxen fungerar inte	<ul style="list-style-type: none"> Batteripacket sitter inte på häcktrimmern. 	<ul style="list-style-type: none"> Sätt batteripacket på häcktrimmern.
	<ul style="list-style-type: none"> Ingen elektrisk anslutning mellan saxen och batteriet. 	<ul style="list-style-type: none"> Ta ut batteriet, kontrollera kontakterna och sätt i batteripacket igen.
	<ul style="list-style-type: none"> Batteripacket är urladdat. 	<ul style="list-style-type: none"> Ladda batteripacket.
	<ul style="list-style-type: none"> Batteripacket är för varmt. 	<ul style="list-style-type: none"> Ta ut batteripacket och låt det svalna ned tills temperaturen är under 67°C.
	<ul style="list-style-type: none"> Häcksaxen är för varmt. 	<ul style="list-style-type: none"> Släpp båda avtryckare; låt saxen svalna ned tills temperaturen är under 77°C.
	<ul style="list-style-type: none"> De två avtryckarna är inte nedtryckta samtidigt. 	<ul style="list-style-type: none"> Håll avtryckarna på det främre och det bakre handtaget nedtryckta samtidigt.
	<ul style="list-style-type: none"> Svärdet har kört fast. 	<ul style="list-style-type: none"> Ta ut batteripacket, avlägsna tilltappningen försiktigt, sätt i batteriet igen och starta verktyget.
Kraftig vibration eller högt ljud	<ul style="list-style-type: none"> Torra eller korroderade skärblad. 	<ul style="list-style-type: none"> Smörj skärbladen enligt avsnittet "SMÖRJNING AV SVÄRDET" i bruksanvisningen.
	<ul style="list-style-type: none"> Böjda skärblad eller böjt skärbladsstöd. 	<ul style="list-style-type: none"> Byt ut mot ett nytt skärblad eller stöd. Kontakta servicecentret av EGO för byte av skärblad eller stöd.
	<ul style="list-style-type: none"> Böjda eller skadade tänder. 	<ul style="list-style-type: none"> Byt ut skärbladet. Kontakta servicecentret av EGO för byte.
	<ul style="list-style-type: none"> Lösa skärbladsbultar. 	<ul style="list-style-type: none"> Dra åt bultarna. Skruva bulten medurs med en nyckel för att dra åt den

SE

GARANTI

GARANTIVILLKOREN AV EGO

Var god besök webbplatsen egopowerplus.com för att se de fullständiga garantivillkoren av EGO.

LUE KAIKKI OHJEET!



LUE KÄYTTÖOHJE SITEN, ETTÄ MYÖS YMMÄRRÄT SEN SISÄLLÖN

⚠ Vaara! Henkilöiden, joilla on elektroniikkalaitteita, kuten sydämentahdistimia, tulee neuvotella lääkärin kanssa ennen tuotteen käyttöä. Sähkölaitteiden käyttö sydämentahdistimen läheisyydessä voi aiheuttaa tahdistimeen häiriöitä tai vikoja.

⚠ VAROITUS: Valtuutetun huoltoteknikon tulee suorittaa kaikki korjaukset ja osien vaihdot, jotta voidaan taata tuotteen turvallinen ja luotettava käyttö.

FI

TURVAMERKIT

Turvamerkkien tavoitteena on kiinnittää huomiota mahdollisiin vaaroihin. Sinun tulee lukea huolellisesti käyttöohjeet ja ymmärtää turvamerkit ja niiden selitteet. Turvamerkit eivät itsessään poista vaaraa.

Niiden antamat ohjeet ja varoitukset eivät korvaa asianmukaisia tapaturman torjuntatoimenpiteitä.

⚠ VAROITUS: Varmista, että luet ja ymmärrät kaikki tämän käyttäjän käsikirjan turvallisuusohjeet, mukaan lukien kaikki vaaramerkit, kuten "VAARA", "VAROITUS" ja "HUOMIO", ennen kuin käytät työkalua. Alla mainittujen ohjeiden noudattamatta jättäminen voi aiheuttaa sähköiskun, tulipalon ja/tai vakavan henkilövahingon.

MERKIN SISÄLTÖ

ILMAISEE SEURAAVIA: VAARA, VAROITUS TAI HUOMIO. Voidaan käyttää yhdessä muiden merkkien tai kuvamerkkien kanssa.

⚠ VAROITUS: Vierasesineitä voi sähkötyökalujen käytön seurauksena lentää silmiin, ja ne voivat aiheuttaa vakavan silmävamman. Käytä aina suojalaseja tai turvalaseja sivusuojilla ja tarvittaessa kokokasvosuojusta ennen sähkötyökalun käytön aloittamista. Suosittelemme laajan näkökentän kasvosuojusta silmälasien päälle tai vakioturvalaseja sivusuojilla.

TURVALLISUUSOHJEET

Tällä sivulla esitetään ja kuvataan tähän tuotteeseen mahdollisesti liittyvät turvamerkit. Lue kaikki koneen ohjeet siten, että ymmärrät ne, ja noudata niitä ennen kuin kasaat koneen ja käytät sitä

	Turvallisuusvaroitukset	Ilmaisee mahdollista henkilövahingon vaaraa.
	Lue käyttäjän käsikirja	Tapaturmariskin pienentämiseksi käyttäjän täytyy lukea käyttäjän käsikirja.
	Älä altista sateelle	VAROITUS: Älä käytä sateessa tai jätä ulos sateella.
	Terän pituus	Terän pituus
	Leikkuuteho	Terän maks. leikkuuteho
V	Voltti	Jännite
A	Ampeerit	Virta
Hz	Hertsi	Taajuus (sykliä sekunnissa)
W	Watti	Teho
min	Minuuttia	Aika
	Vaihtovirta	Virran tyyppi
	Tasavirta	Virran tyyppi tai virtajännite-ominaiskäyrä
n_0	Tyhjäkääntinopeus	Pyörimisnopeus, kuormittamattomana
... /min	Pyörintänopeus	Kierrosta minuutissa
SPM	Iskua minuutissa	Iskunopeus, kuormittamattomana

SÄHKÖTYÖKALUN YLEISIÄ TURVALLISUUSVAROITUKSIA

⚠ VAROITUS: Lue kaikki turvallisuusvaroitukset ja -ohjeet. Varoitusten ja ohjeiden noudattamatta jättäminen voi aiheuttaa sähköiskun, tulipalon ja/tai vakavan henkilövahingon.

Säilytä kaikki varoitukset ja ohjeet huolellisesti.

Käsitteellä "sähkötyökalu" tarkoitetaan varoituksissa verkkokäyttöistä (johdolla varustettua) tai akkukäyttöistä (johdotonta) sähkötyökalua.

TYÖALUEEN TURVALLISUUS

■ **Pidä työalue puhtaana ja hyvin valaistuna.**

Epäjärjestyksessä olevilla tai hämärillä alueilla sattuu helpommin tapaturmia.

- **Älä käytä sähkötyökaluja räjähdyksvaarallisissa ympäristöissä, kuten syttyvien nesteiden, höyryjen tai pölyn läheisyydessä.** Sähkötyökalujen käytöstä syntyy kipinöitä, jotka voivat sytyttää pölyn tai höyryt palamaan.
- **Pidä lapset ja sivulliset loitolla, kun käytät sähkötyökalua.** Häiriötekijät voivat aiheuttaa työkalun hallinnan menettämisen.

SÄHKÖTURVALLISUUS

- **Sähkötyökalun pistokkeiden täytyy sopia pistorasiaan. Älä koskaan muuntele pistoketta millään tavalla. Älä käytä sovittipistokkeita maadoitettujen sähkötyökalujen kanssa.** Muuntelemattomat pistokkeet ja yhteensopivat pistorasiat pienentävät sähköiskun riskiä.
- **Vältä koskettamasta maadoitettuja pintoja, kuten putkia, lämpöpattereita, liesiä ja jääkaappeja.** Maadoitettuihin pintoihin koskettaminen lisää sähköiskun riskiä.
- **Älä altista sähkötyökaluja sateelle tai märille olosuhteille.** Sähkötyökaluun tunkeutuva vesi lisää sähköiskun vaaraa.
- **Älä turmele liitäntäjohtoa. Älä koskaan kannata tai vedä sähkötyökalua johdosta. Älä myöskään irrota sähkötyökalua pistorasiasta johdosta vetämällä.** Pidä johto etäällä lämmönlähteistä, öljystä, terävistä kulmista tai liikkuvista osista. Vioittuneet tai sotkeutuneet johdot lisäävät sähköiskun riskiä.
- **Käytä ulkokäyttöön sopivaa jatkojohtoa, kun käytät sähkötyökalua ulkona.** Ulkokäyttöön sopivan johdon käyttäminen pienentää sähköiskun riskiä.
- **Jos sähkötyökalun käyttö kosteassa tilassa on välttämätöntä, käytä jäännösvirtalaitteella (RCD) suojattua virtälähdettä.** Jäännösvirtalaitteen käyttö pienentää sähköiskun riskiä

HENKILÖKOHTAINEN TURVALLISUUS

- **Pysy valppaana, keskity siihen, mitä teet ja käytä tervettä järkeä, kun käytät sähkötyökalua.** Älä käytä sähkötyökalua väsyneenä tai huumausaineiden, alkoholin tai lääkkeiden vaikutuksen alaisena. Hetkellinen herpaantuminen sähkötyökalujen käytön aikana voi aiheuttaa vakavan henkilövahingon.
- **Käytä henkilönsuojaimia. Käytä aina suojalaseja.** Hengityssuojaimen, liukumattomien turvajalkineiden, suojakypärän tai kuulosuojainten kaltaisten suojavausteiden tarkoituksenmukainen käyttö vähentää henkilövahinkoja.
- **Estä tahaton käynnistyminen. Varmista, että kytkin on off-asennossa ennen kuin liität työkalun**

virtalähteeseen ja/tai akkuyksikköön, nostat työkalua tai kannat sitä. Sähkötyökalujen kantaminen sormen ollessa kytkimellä tai virran kytkeminen sähkötyökaluihin, joiden kytkin on on-asennossa, altistaa tapaturmille.

- **Irrota jokoavaimet tai kiintoavaimet ennen kuin käynnistät sähkötyökalun.** Sähkötyökalun pyöriivään osaan kiinni jätetty kiinto- tai jokoavain voi aiheuttaa henkilövahingon.
- **Älä kurkottele. Säilytä aina tukeva asento ja hyvä tasapaino.** Tällöin hallitset sähkötyökalun paremmin odottamattomissa tilanteissa.
- **Pukeudu asianmukaisesti. Älä käytä löysiä vaatteita tai koruja. Pidä hiukset, vaatteet ja käsinet kaukana liikkuvista osista.** Löysät vaatteet, korut tai pitkät hiukset voivat tarttua liikkuviin osiin.
- **Jos laitteissa on liitännät pölynpoisto- ja -keräyslaitteille, varmista, että ne on kytketty ja että niitä käytetään oikein.** Pölynpoistolaitteiden käyttö voi vähentää pölyyn liittyviä vaaroja.

FI

SÄHKÖTYÖKALUJEN KÄYTTÖ JA YLLÄPITO

- **Älä ylikuormita sähkötyökalua. Käytä käyttötarkoitukseen sopivaa sähkötyökalua.** Oikealla sähkötyökalulla teet työn paremmin ja turvallisemmin sillä nopeudella, jolle se on suunniteltu.
- **Älä käytä sähkötyökalua, jos sitä ei voi käynnistää ja sammuttaa kytkimestä.** Kaikki sähkötyökalut, joita ei voi hallita kytkimellä, ovat vaarallisia ja ne täytyy korjata.
- **Irrota pistoke virtalähteestä ja/tai akkuyksikkö sähkötyökalusta ennen säätöjen tekemistä, lisävarusteiden vaihtamista tai sähkötyökalujen varastointia.** Kyseiset ehkäisevät varotoimenpiteet pienentävät riskiä sähkötyökalun käynnistymisestä vahingossa.
- **Säilytä toimitettomia sähkötyökaluja lasten ulottumattomissa äläkä anna sähkötyökaluun ja näihin ohjeisiin perehtymättömien henkilöiden käyttää sähkötyökalua.** Sähkötyökalut ovat vaarallisia tottumattomien käyttäjien käsissä.
- **Huolla sähkötyökaluja. Tarkasta, esiintyykö liikkuvissa osissa vääriä kohdistus tai takertelua ja näkykö osissa vaurioita ja muita tekijöitä, jotka voivat vaikuttaa sähkötyökalujen toimintaan.** Jos sähkötyökalu on vaurioitunut, korjauta se ennen käyttöä. Monet tapaturmat johtuvat huonosti huolletuista sähkötyökaluista.
- **Pidä leikkuutyökalut terävinä ja puhtaina.** Asianmukaisesti huolletut leikkuutyökalut terävillä leikkusärmillä eivät kovin helposti takertele ja niitä on helpompi hallita.

- Käytä sähkötyökäluä, lisävarusteita, työkalun vaihtoteriä jne. näiden ohjeiden mukaisesti huomioiden myös työolosuhteet ja suorittava työ. Sähkötyökäluen käyttö muuhun kuin suunniteltuun käyttötarkoitukseen voi aiheuttaa vaarallisen tilanteen.

AKKUTYÖKÄLUEN KÄYTTÖ JA HOITO

- Lataa uudelleen vain valmistajan määrittelemällä latauslaitteella. Latauslaite, joka sopii yhdelle akkuyksikkötyypille, voi toisen akkuyksikön kanssa käytettynä aiheuttaa tulipaloriskin.
- Käytä sähkötyökäluja ainoastaan erityisesti niitä varten tarkoitettujen akkuyksiköiden kanssa. Kaikkien muiden akkuyksiköiden käyttö voi aiheuttaa loukkaantumis- ja tulipaloriskin.
- Kun akkuyksikköä ei käytetä, pidä se kaukana metalliesineistä, kuten paperiliittimistä, kolikoista, avaimista, nautoista, ruuveista tai muista pienistä metalliesineistä, jotka voivat muodostaa yhteyden napojen välille. Akun napojen yhdistäminen voi aiheuttaa palovammoja tai tulipalon.
- Nestettä voi vuotaa akusta, jos siihen kohdistuu iskuja; välttää tällöin kontaktia. Jos kontakti vahingossa tapahtuu, huuhtelee vedellä. Jos nestettä pääsee silmiin, hakeudu myös lääkärin hoitoon. Akkuneste voi aiheuttaa ärsytystä tai palovammoja.

HUOLTO

- Huollata sähkötyökäluä valtuutetulla korjaajalla, joka käyttää vain valmistajan hyväksymiä varaosia. Näin voit varmistaa, että sähkötyökäluä säilyy turvallisena.

PENSASLEIKKURIN TURVALLISUUSVAROITUKSIA

- Pidä kaikki kehon osat riittäväällä etäisyydellä leikkaavasta terästä. Älä poista leikattua materiaalia sähkötyökäluästä tai pidä kiinni leikattavasta materiaalista terien liikkeessä. Varmista, että kytkein on off-asennossa, kun irrotat kiinnijuutunutta materiaalia. Hetkellinen herpaantuminen pensasleikkurin käytön aikana voi aiheuttaa vakavan henkilövahingon.
- Kanna pensasleikkuria kahvasta ja leikkaava terä pysäytettynä. Kun kuljetat pensasleikkuria tai viet sen varastoon, kiinnitä aina leikkulaitteen suoja paikalleen. Pensasleikkurin oikea käsittely vähentää leikkaavien terien aiheuttamia mahdollisia henkilövahinkoja.
- Kanna sähkötyökäluä vain eristetyistä tartuntapinnoista, koska leikkaava terä voi osua piilossa oleviin johtoihin. Jännitteiseen johtoon osuvat leikkaavat terät voivat tehdä sähkötyökäluen näkyvät metalliosat jännitteisiksi ja käyttäjä voi saada niistä sähköiskun.

- Pidä johdot kaukana leikkuaalueelta. Käytön aikana johtoja voi olla pensaassa piilossa ja terä voi vahingossa leikata johdon.
- Tarkasta pensasaita vieraiden esineiden, esim. rautalanka-aitojen varalta ennen käyttöä.
- Käytä pensasleikkuria vain, kun suojuos on asennettu kunnolla. Pensasleikkurin käyttö ilman kunnollista suojusta voi aiheuttaa vakavan henkilövahingon!
- Pidä pensasleikkurista kiinni molemmiin käsiin. Leikkurin käyttö yhdellä kädellä voi aiheuttaa hallinnan menettämisen, mistä voi seurata vakava henkilövahinko.

VAROITUS: Tarkasta pensasaita vieraiden esineiden, esim. rautalanka-aitojen varalta ennen käyttöä. Käytä pensasleikkuria vain, kun suojuos on oikein paikallaan. Pensasleikkurin käyttö ilman kunnollista suojusta voi aiheuttaa vakavan henkilövahingon!

TÄRKEITÄ TURVALLISUUSOHJEITA

- Älä käytä akkukäyttöistä pensasleikkuria sateella
- Älä lataa akkuyksikköä sateessa tai märässä tilassa.
- Käytä vain kuvassa A luettujen akkujen ja latureiden kanssa.
- Älä tartu näkyvissä oleviin leikkuuteriin tai leikkusuärmiin, kun nostat pensasleikkurin tai kannat sitä.
- Älä käytä ollessasi tikapuilla, ulkokatolla, puussa tai muun epävakaan tuen päällä. Vakaa asento kiinteällä pinnalla auttaa hallitsemaan pensasleikkuria paremmin odottamattomissa tilanteissa
- Älä anna lasten koskaan käyttää pensasleikkuria.
- Älä koskaan poista tai peukaloi turvalaitteita. Tarkasta niiden asianmukainen toiminta säännöllisesti. Älä koskaan tee mitään, mikä häiritsee turvalaitteelle tarkoitettua toimintaa tai vähentää turvalaitteen tarjoamaa suojausta.
- Älä koskaan käytä pensasleikkuria, jos suojuokset, levyt tai muut turvalaitteet eivät ole asianmukaisesti paikoillaan.

- Tarkasta vaurioituneet osat ennen kuin jatkat pensasleikkurin käyttöä. Suojus tai muu vaurioitunut osa tulee tarkastaa huolellisesti, jotta sen voidaan määrittää toimivan asianmukaisella tavalla ja suorittavan sille tarkoitetun toiminnan. Tarkasta, onko liikkuvat osat kohdistettu oikein, esiintyykö niissä takertelua ja näkyvyykö osissa vaurioita, onko ne asennettu oikein ja näkyvyykö niissä muita tekijöitä, jotka voivat vaikuttaa sen toimintaan. Valtuutetun huoltopisteen tulee korjata tai vaihtaa suojus tai muu vaurioitunut osa, jollei muualla tässä käsikirjassa muuta ole mainittu.
- Tarkasta terän ja moottorin kiinnityspulttien oikea kireys säännöllisin väliajoin. Tarkasta terä silmämääräisesti myös vaurioiden varalta (esim. taipunut, murtunut ja kulunut). Vaihda terä vain EGO™-valmistaiseen terään.
- Vaihda terä, jos se on taipunut tai murtunut. Tasapainottomaton terä aiheuttaa tärinää, joka voi vahingoittaa moottorin käyttöyksikköä tai aiheuttaa henkilövahingon.
- Jos laite alkaa täräistä poikkeavasti, pysäytä moottori ja tarkasta välittömästi syy. Tärinä on yleensä merkki häiriöistä.
- Leikkuria käytetään leikattaessa alle (33 mm) paksuja oksia
- Käytä leikkuria vain päivänvalossa tai hyvässä keinovalossa.
- Poista tai irrota akku ennen huoltoa, puhdistusta tai materiaalin puhdistamista pensasleikkurista.
- Älä pese letkulla; estä veden pääsy moottoriin ja sähköliitäntöihin.
- Käytä huollon yhteydessä vain tässä käsikirjassa mainittuja valmistajan hyväksymiä varaosia. Laitteen alkuperäisiä vaatimuksia täyttämättömien osien käyttö voi saada laitteen toimimaan väärin ja vaarantaa turvallisuuden
- Noudata lisävarusteiden voiteluun ja vaihtamiseen liittyviä ohjeita.
- Pidä kahvat kuivina, puhtaina, öljyttöminä ja rasvattomina.
- Säilytä nämä ohjeet. Lue niitä usein ja anna ne myös luettavaksi muille henkilöille, jotka mahdollisesti käyttävät työkalua. Jos lainaat työkalua toiselle henkilölle, anna mukaan myös nämä ohjeet, jotta voit estää tuotteen väärinkäytön ja mahdollisen vahingon.

SÄILYTÄ NÄMÄ OHJEET!

TEKNISET TIEDOT

Mallinumero	HT5100E	HT6500E
Jännite	56 V ---	56 V ---
Tyhjäkäynninopeus	Korkea	1600 /min
	Matala	1400 /min
Suosittelukäyttölämpötila:	0–40 °C	
Suosittelusäilytyslämpötila:	-20–70°C	
Terän pituus	51 cm	65 cm
Maksimi leikkukapasiteetti	33 mm	33 mm
Paino (ilman akkua)	3,6 kg	3,8 kg
Mitattu äänen tehotaso L _{WA}	90 dB(A) K=1,55 dB(A)	91,45 dB(A) K=1,08 dB(A)
Äänenpainetaso käyttäjän asennossa L _{PA} K=2,5 dB(A)	81,5 dB(A)	81,4 dB(A)
Taattu äänen tehotaso L _{WA} (mitattu 2000/14/EC:n mukaisesti)	92 dB(A)	93 dB(A)
Värinä a _n K=1,5 m/s ²	Etukahva	3,369 m/s ²
	Takakahva	1,876 m/s ²
		5,313 m/s ²
		3,115 m/s ²

- Ilmoitettu tärinän kokonaisarvo on mitattu standardikoemenetelmän mukaan ja sitä voidaan käyttää verrattaessa työkaluja keskenään.
- Ilmoitettua tärinän kokonaisarvoa voidaan myös käyttää altistumisen ennakoarvioinnissa.

HUOMAA: Sähkötyökalun todellisen käytön aikana esiintyvä tärinä voi erota työkalun käytölle ilmoitetusta arvosta. Käyttäjän suojelemiseksi on todellisissa käyttöolosuhteissa käytettävä käsineitä ja kuulosuojaimia.

PAKKAUSLUETTELO

OSAN NIMI	MÄÄRÄ
Pensasleikkuri	1
Suojalevy	1
Käyttäjän käsikirja	1

KUVAUS

OPETTELE TUNTEMAAN PENSASLEIKKURI (kuva A)

1. Akun vapautuspainike
2. Takakahva
3. Lukituksenpoistokytkin
4. Takakytimen vipu
5. Nopeudensäätimen kahva
6. Etukahva
7. Etukytimen vipu
8. Käsisuoja
9. Terän suoja
10. Terä
11. Terän suojus
12. Salpa
13. Sähköliittännät
14. Kiinnityskohta
15. Poistomekanismi
16. Kahvan lukitus
17. Moottorin kotelo
18. Suojalevy

VAROITUS: Tämä tuote on toimitettu täysin koottuna. Käsisuojaa ei koskaan saa poistaa käytön aikana. Jos se vahingoittuu, anna pätevän huoltoteknikon vaihtaa se välittömästi.

VAROITUS: Tuotteen turvallinen käyttö edellyttää työkalussa mainittujen ja tämän käyttäjän käsikirjan tietojen ymmärtämistä ja sen työn tuntemista, johon tuotetta käytetään. Puhdy ennen tuotteen käyttöä kaikkiin toimintoihin ja turvamääräyksiin.

KÄYTTÖ

VAROITUS: Älä anna perehtyneisyyden tuotteeseen saada sinua huolimattomaksi. Muista, että sekunnin murto-osa huolimattomuutta riittää aikaansaamaan vakavan henkilövahingon.

VAROITUS: Käytä aina suojalaseja sivusuojilla sekä kuulosuojaimia. Muussa tapauksessa silmiin voi lentää roskia ja muita mahdollisia vakavia vahinkoja tapahtua.

VAROITUS: Poista akku työkalusta aina, kun kokoat osia, teet muutoksia tai puhdistat laitetta tai kun et käytä sitä. Näin varmistat, ettei laite käynnisty vahingossa eikä aiheuta vakavia henkilövahinkoja.

VAROITUS: Älä käytä kiinnityskappaleita tai lisävarusteita, joita EGO™ ei ole suositellut. Suosittelemattomien kiinnityskappaleiden tai lisävarusteiden käyttö voi aiheuttaa vakavan henkilövahingon.

Tarkasta ennen jokaista käyttöä koko tuote vaurioituneiden, puuttuvien tai irrallisten osien varalta, joita ovat esim. ruuvit, mutterit, pultit ja suojukset. Kiristä tiukasti kaikki kiinnittimet ja suojukset äläkä käytä tuotetta ennen kuin kaikki puuttuvat tai vaurioituneet osat on korvattu.

KÄYTTÖTARKOITUS

Tätä tuotetta voi käyttää pensaiden, pensasaitojen ja varpujen leikkaamiseen, jos oksien läpimitta ei ylitä Ø33 mm:iä.

HUOMAA: Laitetta tulee käyttää vain sille tarkoitettuun tarkoitukseen. Muunlainen käyttö lasketaan väärinkäytöksi.

AKUN ASENNUS/POISTAMINEN

Lataa ennen ensimmäistä käyttökertaa.

Asennus (kuva B)

Aseta akun urat kiinnitysaukkoihin ja paina akkua alaspäin, kunnes kuulet naksahduksen.

Poistaminen (kuva C)

Paina akun vapautuspainiketta ja vedä akku ulos.

VAROITUS: Huomioi aina jalkojesi, lasten ja lemmikkieläinten sijainti, kun painat akun vapautuspainiketta. Akkuyksikön putoamisesta voi aiheutua vakava loukkaantuminen. Älä KOSKAAN irrota akkuyksikköä korkealla.

PENSASLEIKKURIN KÄYNNISTYS/SAMMUTUS

Poista terän suoja ennen käyttöä ja pidä leikkurista kiinni molemmilla käsillä niin, että toinen käsi tarttuu etukahvaan ja toinen takakahvaan. Tarkista sitten, että seisot tasapainoisesti pystyasennossa ja sopivan leikkausmatkan päässä.

VAROITUS: Pidä molemmat kädet aina pensasleikkurin kahvoilla. Älä koskaan pidä kiinni pensaasta yhdellä kädellä ja käytä pensasleikkuria toisella kädellä. Tämän varoituksen huomiotta jättäminen voi aiheuttaa vakavan henkilövahingon.

Käynnistys

Paina ensin lukituksenpoistokytin pohjaan kämmenellä ja sen jälkeen paina takakytimen vipu ylös. Pidä etukytinvipua pohjassa ja jatka takakytinvivun painamista käynnistääksesi laitteen.

Sammutus

Vapauta kumpi tahansa kytkinvivusta, niin laite sammuu.

HUOMAA: Molempia kytkinvipuja on painettava, jotta pensasleikkuri käynnistyy.

PENSASLEIKKURIN KÄYTTÖ

VAROITUS: Jos terä osuu sähköjohtoon, ÄLÄ KOSKETA TERÄÄ! TERÄ VOI SAADA SÄHKÖJÄNNITTEEN JA SIITÄ VOI TULLA ERITTÄIN VAARALLINEN. Kanna tämän jälkeen pensasleikkuria eristetystä takakahvasta tai laske se alas ja etäälle itsestäsi turvallisella tavalla. Kytke vaurioitunut johto irti sähkönsyötöstä ennen kuin yrität irrottaa terän johdosta. Tämän varoituksen huomiotta jättäminen voi aiheuttaa vakavan henkilövahingon tai mahdollisen kuoleman.

VAROITUS: Estä vakava henkilövahinko pitämällä kädet etäällä teristä. Älä yritä poistaa leikattua materiaalia tai pidä kiinni leikattavasta materiaalista terien liikkeessä. Varmista, että terät ovat pysähtyneet kokonaan ja akkuyksikkö on poistettu ennen kuin irrotat kiinnijuuuttunutta materiaalia teristä. Älä tartu näkyvissä oleviin leikkuuteriin tai leikkusärmiin, kun nostat laitteen tai pidät sitä kädessä.

VAROITUS: Puhdista leikattava alue ennen jokaista käyttöä. Poista kaikki esineet, kuten johdot, valot, vajerit tai siimat, jotka voivat sotkeutua leikkuuterään ja aiheuttaa vakavan henkilövahingon riskin

VAROITUS: Vältä liiallista trimmausta kerralla tai paksun pensaikon leikkaamista kerralla. Näin vältetään leikkaustehokkuutta vähentävä terien sotkeutuminen ja hidastuminen.

HUOMAA: Uudelle kasvustolle sopii leveä pyyhkäisy, kun varret osuvat suoraan leikkurin terään. Vanhemmalla kasvustolle toimii sahaava liike, joka leikkaa paksampia varsia paremmin. Suurempien varsien katkaisuun suositellaan käsisahaa tai oksasahaa.

LEIKKAUS YLHÄÄLLÄ

Käytä leveää pyyhkäisyliikettä. Leikkurin terien hienoinen liikkeen suuntaan ja alaspäin osoittava kulma on leikkaustuloksen kannalta paras. Parempaa leikkaustulosta varten voit käyttää lankaa ohjeistamaan aidan yläosan tason kuvan D osoittamalla tavalla.

SIVULEIKKAUS

Kun leikkaat aidan reunoja, aloita alhaalta ja leikkaa ylöspäin kuvan E1 tai E2 osoittamalla tavalla.

Perusteellinen leikkaaminen

Pensasleikkurin takakahva voidaan asettaa viiteen asentoon (0°±45°±90°) vetämällä säppi ulos (kuvat F1 – F5). Jos perusteellinen leikkaaminen on tarpeen, aseta takakahva asentoon ±45° (kuvat F2 ja F4) leikataksesi.

VAROITUS: Kun kahvaa säädetään, leikkuuterä ei saa olla toiminnassa.

HUOMAA: Työkenneltäessä kahvan on oltava suunnattu aina ylöspäin riippumatta siitä, kuinka pensasleikkuri on suunnattu.

Terän suojus

Terän suojusta (kuva G) käytetään suojaamaan terän ulkoreunaa.

Terän suoja

Terien ulompi osa on muotoiltu kuten terän suojat (kuva H).

H-1	Terä
H-2	Terän suoja

VAROITUS: Tarkista aina, ettei terän suoja ole vahingoittunut eikä vääntynyt. Vaihda se, jos se on taipunut tai vahingoittunut.

HUOLTO

VAROITUS: Käytä huollon yhteydessä vain valmistajan hyväksymiä varaosia. Muiden osien käyttö voi aiheuttaa vaaran tai vahingoittaa tuotetta. Valtuutetun huoltoteknikon tulee suorittaa kaikki korjaukset, jotta voidaan taata tuotteen turvallinen ja luotettava käyttö.

VAROITUS: Irrota vakavien henkilövahinkojen välttämiseksi akkuyksikkö aina tuotteesta, kun puhdistat sitä tai suoritat siihen jonkin huoltotoimenpiteen.

PUHDISTUS

- Poista pehmeällä harjalla liika kaikista ilmanottoaukoista ja leikkuuterästä.
- Poista pihka ja muut tahmeat jätteet suihkuttamalla teriin pihkaa luotettavaa ainetta. Käynnistä moottori hetkeksi siten, että liuotin jakautuu tasaisesti.
- Pyyhi pinta kuivalta liinala.

VAROITUS: Älä käytä koskaan vettä leikkurin puhdistamiseen. Vältä liuottimien käyttöä, kun puhdistat muoviosia. Useimmat muoviosat ovat herkkiä erilaisten kaupallisten liuottimien vaikutukselle. Käytä puhtaita liinoja esim. lian, pölyn, öljyn ja rasvan poistamiseen.

LEIKKUUTERÄN TEROITUS

1. Irrota akkuyksikkö pensasleikkurista.
2. Kiinnitä teräjärjestelmä ruuvipuristimeen ja viilaa kunkin terän hampaan näkyvät leikkuupinnat. Poista mahdollisimman vähän materiaalia. Varmista, että säilytät viilatessa kunkin hampaan alkuperäisen kulman..
3. Poista pensasleikkuri ruuvipuristimesta ja säädä, kunnes teroittamaton terän osa on näkyvillä. Toista yllä kerrotut kohdat, kunnes kaikki terän hampaat on teroitettu.

HUOMAA: Älä käytä pensasleikkuria, jos leikkuuterät ovat tylsiä tai ne ovat vaurioituneet. Tästä voi seurata ylikuormittuminen, jolloin leikkaustulos ei ole tyydyttävä.

TERÄN VOITELU

Voitele pensasleikkurin terä ohuella koneöljyllä ennen käyttöä ja sen jälkeen, jotta se toimii parhaalla mahdollisella tavalla ja kestää pidempään.

Poista akku ja laita leikkuri tasaiselle alustalle. Levitä öljyä terän ylemmälle tasolla osoittamalla tavalla.

HUOMAA: Jos käytät leikkuria pitkään, öljyä terä leikkaamisen aikana.

VAROITUS: Älä öljyä terää, kun pensasleikkuri on käynnissä.

VAIHDELAATIKON VOITELU

Parhaan toimivuuden ja pitkän käyttöiän takaamiseksi voitele pensasleikkurin vaihdelaatikko erikoisrasvalla (noin 5–6 g nro 1 ja 10–12 g nro 2 joka kerta) 25 käyttötunnin välein.

HUOMAUTUS: Ota yhteyttä paikalliseen ego-huoltoliikkeeseen.

Erikoisrasvan on täytettävä seuraavat vaatimukset:

1. Kuuluttava luokkaan DIN51818: NLGI-2 kartion tunkeutumisaste.
2. Koostua polyureasakeutusaineista + synteettisestä voiteluöljystä.

3. Erinomainen alhaisen lämpötilan käynnistyminen, EP, mekaaninen leikkaus, hankauksen kestävyys ja hapettumisenkestävyysominaisuudet.
4. Käyttölämpötilan on oltava -40–180 °C.

KULJETUS JA VARASTOINTI

- Aseta teränsuojus aina terään ennen pensasleikkurin varastointia tai kuljetusta. Varo terän hampaita.
- Puhdista pensasleikkuri perusteellisesti ennen varastointia.
- Säilytä pensasleikkuria sisätiloissa kuivassa paikassa, johon lapset eivät pääse.
- Pidä syövyttävien aineiden, kuten puutarhakemikaalien ja tiesuolan, ulottumattomissa.

VAROITUS: Terät ovat teräviä. Kun käsittelet teräjärjestelmää, käytä liukumisen estäviä, kestäviä suojakäsineitä. Älä laita kättä tai sormia terien väliin tai muuhun paikkaan, jossa ne voivat jäädä puristuksiin tai leikkautua. Älä KOSKAAN kosketa teriä tai huolla laitetta, kun akkuyksikkö on asennettuna.

Ympäristönsuojelu



Älä hävitä sähkölaitteita, akun latauslaitteita ja akkuja/ladattavia akkuja kotitalousjätteen mukana!

Euroopan parlamentin ja neuvoston direktiivin 2012/19/EU mukaan sähkö- ja elektroniikkalaitteet, jotka eivät ole enää käyttökelpoisia, ja Euroopan parlamentin ja neuvoston direktiivin 2006/66/EY mukaan vialliset tai käytetyt akkuyksiköt/ akut täytyy kerätä erikseen.

Jos sähkölaitteet hävitetään viemällä kaatopaikoille tai roskaläjiin, vaarallisia aineita voi vuotaa pohjaveteen ja päästä ravintoketjuun ja vahingoittaa täten ihmisten terveyttä ja hyvinvointia.

VIANETSINTÄ

ONGELMA	SYY	RATKAISU
Pensasleikkuri ei toimi	<ul style="list-style-type: none"> Akkuyksikköä ei ole asetettu pensasleikkuriin. 	<ul style="list-style-type: none"> Aseta akkuyksikkö pensasleikkuriin.
	<ul style="list-style-type: none"> Ei sähkökontaktia leikkurin ja akun välillä 	<ul style="list-style-type: none"> Irrota akku, tarkasta koskettimet ja asenna akkuyksikkö takaisin.
	<ul style="list-style-type: none"> Akkuyksikkö on tyhjä. 	<ul style="list-style-type: none"> Lataa akkuyksikkö.
	<ul style="list-style-type: none"> Akkuyksikkö on liian kuuma. 	<ul style="list-style-type: none"> Irrota akkuyksikkö työkalusta ja anna sen jäähtyä, kunnes lämpötila putoaa alle 67 °C:een.
	<ul style="list-style-type: none"> Pensasleikkuri on liian kuuma. 	<ul style="list-style-type: none"> Vapauta molemmat kytkinvivut. Anna leikkurin jäähtyä, kunnes lämpötila putoaa alle 77 °C:een.
	<ul style="list-style-type: none"> Kahta kytkinvipua ei paineta samanaikaisesti. 	<ul style="list-style-type: none"> Paina etu- ja takakahvan kytkinvipuja samanaikaisesti.
	<ul style="list-style-type: none"> Terä on juuttunut kiinni. 	<ul style="list-style-type: none"> Irrota akkuyksikkö työkalusta, poista tukkeuma varovasti, laita sen jälkeen akku takaisin paikalleen ja käynnistä työkalu uudelleen.
Merkittävä värinä tai äänentaso	<ul style="list-style-type: none"> Kuivat tai syöpyneet terät. 	<ul style="list-style-type: none"> Voitele terät tämän käsikirjan osan "TERÄN VOITELU" mukaan.
	<ul style="list-style-type: none"> Terät tai terien tuki on taipunut. 	<ul style="list-style-type: none"> Vaihda uusi terä tai tuki. Ota yhteyttä EGO-huoltopisteeseen terän tai tuen vaihtamiseksi.
	<ul style="list-style-type: none"> Taipunut tai vaurioitunut hammas. 	<ul style="list-style-type: none"> Vaihda uusi terä. Ota yhteyttä EGO-huoltopisteeseen terän vaihtamiseksi.
	<ul style="list-style-type: none"> Löystyneet terän pultit. 	<ul style="list-style-type: none"> Kiristä terän pultit. Kiristä kääntämällä pulttia myötäpäivään kiintoavaimella.

TAKUU

EGO-TAKUUKÄYTTÄNTÖ

Katso verkkosivuilta osoitteesta egopowerplus.com EGO-takuukäytännön ehdot ja edellytykset kokonaisuudessaan.

LES ALLE INSTRUKSJONER!



LES OG FORSTÅ INSTRUKSJONSBOKEN

⚠ Restrisiko! Personer med elektroniske enheter, for eksempel pacemakere, må rådføre seg med lege før de bruker dette produktet. Drift av elektrisk utstyr i umiddelbar nærhet av en pacemaker kan føre til at pacemakeren forstyrres eller svikter.

⚠ ADVARSEL: For sikre både sikkerheten og påliteligheten, skal alle reparasjoner utføres av en kvalifisert servicetekniker.

SIKKERHETSSYMBOLER

Formålet med sikkerhetssymbolene er å trekke oppmerksomheten din mot mulige faresituasjoner. Sikkerhetssymbolene og forklaringene krever din fulle oppmerksomhet og forståelse. Symbolvarslene eliminerer ikke farer på egen hånd.

Instruksjonene og advarslene som finnes i dem er ikke erstatninger for passende ulykkesforebyggende tiltak.

⚠ ADVARSEL: Sørg for å lese og forstå alle sikkerhetsanvisningene i denne bruksanvisningen, inkludert alle sikkerhetsvarselssymboler så som «**FARE**», «**ADVARSEL**» og «**FORSIKTIG**» før du bruker dette verktøyet. Hvis du ikke følger alle instruksjonene nedenfor, kan det føre til elektriske støt, brann og/eller alvorlig personskade.

SYMBOLFORKLARINGER

SIKKERHETSSYMBOL: Indikerer FARE, ADVARSEL eller FORSIKTIG. Kan brukes sammen med andre symboler eller piktoagrammer.

⚠ ADVARSEL: Bruk av hvilke som helst elektroverktøy kan føre til at fremmedlegemer blir kastet mot øynene, og dette kan føre til alvorlig øyeskader. Før du begynner å bruke elektroverktøyet, skal du alltid bruke vernebriller eller vernebriller med sidebeskyttelse, og en full ansiktsskjerm der det trengs. Vi anbefaler en sikkerhetsmaske med bred synsfelt til bruk over briller, eller standard vernebriller med sidebeskyttelse.

SIKKERHETSINSTRUKSJONER

Denne siden viser og beskriver sikkerhetssymboler som finnes på produktet. Les, forstå og følg alle instruksjoner på maskinen før begynner montering og bruk.

	Sikkerhetsvarsel	Angir en fare for mulig personskade.
	Les bruksanvisningen	For å redusere risikoen for skader, må brukeren lese bruksanvisningen.
	Må ikke utsettes for regn	ADVARSEL: Skal ikke brukes i regn eller legges igjen utendørs mens det regner.
	Bladlengde	Lengden av bladet
	Kuttekapasitet	Max. Kuttekapasiteten til bladet
V	Volt	Spenning
A	Ampere	Strøm
Hz	Hertz	Frekvens (sykluser per sekund)
W	Watt	Effekt
min	Minutter	Klokkeslett
	Vekselstrøm	Typen spenning
	Likestrøm	Type eller karakteristikk for spenningen
n_0	Hastighet uten last	Rotasjons hastighet, uten last
... /min	Pr. minutt	Omdreining pr. minutt
SPM	Slag i minuttet	Slaghastighet, uten last

GENERELLE SIKKERHETSADVARSLER FOR ELEKTROVERKTØY

⚠ ADVARSEL: Les alle sikkerhetsadvarslere og instruksjoner. Hvis advarslere og instruksjoner ikke følges, kan det føre til elektriske støt, brann og/eller alvorlige personskader.

Ta vare på alle advarslere og instruksjoner for fremtidig bruk.

Betegnelsen "elektroverktøy" i advarslene refererer til hovednett-drevne (med ledning) elektroverktøy eller batteridrevne (trådløs) elektroverktøy.

SIKKERHET I ARBEIDSRÅDET

Hold arbeidsområdet rent og godt opplyst. Rotete eller mørke områder inviterer til ulykker.

- **Ikke bruk maskinen i eksplosjonsfarlige atmosfærer, for eksempel der det finnes brennbare væsker, gasser eller støv i nærheten.** Elektroverktøy lager gnister som kan antenne støv eller damper.
- **Hold barn og andre personer unna når elektroverktøyet er i bruk.** Distraksjoner kan føre til at du mister kontrollen.

ELEKTRISK SIKKERHET

- **Støpselet til verktøyet må passe inn i stikkkontakten. Støpselet må ikke forandres på noen måte. Ikke bruk adapterstøpsler sammen med jordede elektroverktøy.** Umodifiserte støpsler og passende stikkontakter reduserer risikoen for elektrisk støt.
- **Unngå kroppskontakt med jordete overflater så som rør, radiatorer, komfyrer og kjøleskap.** Det er økt risiko for elektrisk støt hvis kroppen din er jordet.
- **Ikke utsett elektroverktøy for regn eller våte forhold.** Kommer det vann inn i et elektroverktøy, øker risikoen for elektriske støt.
- **Ikke misbruk ledningen. Bruk aldri ledningen til å bære, trekke eller trekke ut elektroverktøyet. Hold ledningen unna varme, olje, skarpe kanter eller bevegelige deler.** Skadede eller sammenviklede ledninger øker risikoen for elektriske støt.
- **Når du bruker et elektroverktøy utendørs, må du bruke skjøteledning som er godkjent for utendørs bruk.** Bruk av en ledning som er egnet for utendørs bruk, reduserer risikoen for elektriske støt.
- **Hvis du er nødt til å bruke et elektroverktøy i fuktige omgivelser, skal du bruke en reststrømsbeskyttet strømforsyning.** Bruk av jordfeilbryter reduserer risikoen for elektriske støt.

PERSONLIG SIKKERHET

- **Vær oppmerksom, pass på hva du gjør og bruk sunn fornuft når du bruker elektroverktøy. Ikke bruk elektroverktøy når du er trøtt eller er påvirket av narkotika, alkohol eller medikamenter.** Et øyeblikks uoppmerksomhet ved bruk av elektroverktøy kan føre til alvorlige personskader.
- **Bruk personlig verneutstyr. Bruk alltid vernebriller.** Verneutstyr som støvmasker, sklisisikre vernesko, hjelm eller hørselsvern i egnede forhold reduserer risikoen for personskader.
- **Unngå utilsikket start. Pass på at bryteren er i av-stilling før du kobler til strømkilden og/eller batteripakken, plukker opp eller bærer verktøyet.** Å bære elektroverktøy med fingeren på bryteren eller å slå på verktøy som har bryteren på er å invitere til ulykker.
- **Fjern eventuelle justeringsnøkler før du slår på elektroverktøyet.** Et verktøy eller en nøkkel som sitter igjen i en roterende del av elektroverktøyet kan føre til personskade.
- **Ikke strekk deg over. Pass på å ha skikkelig fotfeste og balanse til enhver tid.** Dette muliggjør bedre kontroll over elektroverktøyet i uventede situasjoner.
- **Kle deg riktig. Ikke bruk løstsittende klær eller smykker. Hold hår, klær og hansker unna bevegelige deler.** Løse klær, smykker eller langt hår kan sette seg fast i bevegelige deler.
- **Hvis det følger med utstyr for tilkopling av støvavsug og oppsamlingsutstyr, skal disse kobles til og brukes riktig.** Bruk av støvenheter kan redusere støvrelaterte farer.

BRUK AV OG OMSORG FOR ELEKTROVERKTØY

- **Ikke tving elektroverktøyet. Bruk det riktige elektroverktøyet til det du skal gjøre.** Det riktige elektroverktøyet vil gjøre jobben bedre og sikrere, i den hastigheten som det ble laget for.
- **Ikke bruk elektroverktøyet hvis bryter ikke slår det på og av.** Elektroverktøy som ikke kan kontrolleres med bryteren, er farlig og må repareres.
- **Koble støpselet fra strømkilden og/eller ta batteripakken ut av verktøyet før du foretar justeringer, skifter tilbehørsdeler eller legger bort maskinen.** Slike forebyggende sikkerhetstiltak reduserer risikoen for at verktøyet starter ved et uhell.
- **Oppbevar elektroverktøy utilgjengelig for barn, og ikke la personer som ikke er kjent med verktøyet eller disse instruksjonene betjene maskinen.** Elektroverktøy er farlige når de brukes av uerfarne personer.
- **Vedlikehold av elektroverktøy. Se etter feiljusteringer eller oppbinding av bevegelige deler, skadede deler og eventuelle andre forhold som kan påvirke elektroverktøyet funksjon. Hvis skadet, må elektroverktøyet repareres før bruk.** Mange ulykker er forårsaket av dårlig vedlikeholdte elektroverktøy.
- **Hold kutteverktøyet skarpt og rent.** Riktig vedlikehold av kutteverktøy med skarpe kanter gjør at det er mindre sannsynlighet for oppbinding, og at det er lettere å kontrollere.
- **Bruk elektroverktøy, tilbehør, verktøy-bits, osv. i henhold til disse anvisningene, og ta hensyn til arbeidsforholdene og arbeidet som skal utføres.** Bruk av elektroverktøy til andre formål enn det som er angitt kan føre til farlige situasjoner.

NO

■ BRUK AV OG OMSORG FOR BATTERIVERKTØY

- **Lades bare med ladere som er spesifisert av produsenten.** En lader som passer for én type batteripakke kan skape fare for brann når den brukes med andre batteripakker.
- **Elektroverktøyet skal bare brukes med den spesifiserte batteripakken.** Bruk av andre batteripakker kan skape risiko for skader og brann.
- **Når batteriet ikke er i bruk, skal det holdes unna andre metallgjenstander så som binders, mynter, nøkler, spikere, skruer eller andre små metallgjenstander som kan lage forbindelse fra én terminal til en annen.** Kortslutning av batteripolene kan forårsake brannskader eller brann.
- **Under skadelige forhold, kan væske kastes ut fra batteriet. Unngå kontakt. Hvis kontakt oppstår ved uhell, skyl med vann. Hvis man får væske i øynene, skal det i tillegg søkes medisinsk hjelp.** Væske som blir kastet ut av batteriet kan forårsake irritasjon eller brannskår.

NO

SERVICE

- **Få elektroverktøyet reparert av et kvalifisert serviceverksted, som kun bruker identiske reservedeler.** Dette gjør at sikkerheten til elektroverktøyet opprettholdes.

SIKKERHETSADVARSLER FOR HEKKSAXEN

- **Hold alle deler av kroppen borte fra kutterbladet. Ikke fjern avkuttet materiale eller hold materialet som skal kuttes når bladene er i bevegelse. Kontroller at bryteren er slått av når du fjerner fastkjørt materiale.** Et øyeblikks uoppmerksomhet ved bruk av hekksaksen kan føre til alvorlig personskade.
- **Bær hekksaksen i håndtaket, med kutterbladet stoppet.** Ved transport eller lagring av hekksaksen, skal dekslet alltid settes på kutterenheten. Riktig håndtering av hekksaksen vil redusere mulig personskade fra kutterblader.
- **Elektroverktøyet skal bare holdes i de isolerte gripeflatene, fordi kniven kan komme i kontakt med skjult kabling.** Kutterblader som kommer i kontakt med en strømsatt ledning kan gjøre synlige metalldeleer av elektroverktøyet strømførende, og gi operatøren elektrisk støt.
- **Hold kablen unna kutteområdet.** Under drift kan kablen være skjult i busker, og skjæres av et blad ved et uhell.
- **Sjekk om det finnes fremmedlegemer i hekken før du begynner, f.eks. ståltrådgjerd.**

- **Bruk bare hekksaksen når skjermen er riktig montert.** Bruk av hekksaksen uten riktig skjerm kan føre til alvorlige personskader!
- **Bruk begge hender når du bruker hekksaksen. Bruk med én hånd kan føre til tap av kontroll og alvorlige personskader.**

⚠ ADVARSEL: Sjekk om det finnes fremmedlegemer i hekken før du begynner, f.eks. ståltrådgjerd. Bruk bare hekksaksen når skjermen er riktig montert. Bruk av hekksaksen uten riktig skjerm kan føre til alvorlige personskader!

VIKTIGE SIKKERHETSINSTRUKSJONER

- Ikke bruk batteridrevet hekksaks i regnvær.
- Ikke lad batteriet i regn eller på våte steder.
- Bruk kun med batteripakker og ladere som oppført i fig. A.
- Ikke ta tak i eksponerte kutterblader eller kutterkanter når du plukker opp eller holder hekksaksen.
- Skal ikke brukes på stige, tak, i trær eller en andre ustabile steder. Stabilt feste på et fast underlag muliggjør bedre styring av hekksaksen i uventede situasjoner.
- La aldri barn bruke hekksaksen.
- Sikkerhetsutstyr skal aldri fjernes eller tukles med. Sjekk regelmessig at driften er riktig. Aldri gjøre noe for å forstyrre den tiltenkte funksjonen til en sikkerhetsanordning, eller for å redusere beskyttelsen som en sikkerhetsanordning gir.
- Bruk aldri snøfreseren uten skikkelig beskyttelse, plater eller annet sikkerhetsutstyr på plass.
- Sjekk etter skadede deler før videre bruk av hekksaksen. Skjerner eller andre skadede deler undersøkes nøye for å fastslå om de vil fungere riktig og oppfylle den tiltenkte funksjonen sin. Sjekk justeringen av bevegelige deler, etter oppbinding av bevegelige deler, deler som er ødelagt, montering og eventuelle andre forhold som kan påvirke driften. Skjerner eller andre ødelagte deler må repareres forsvarlig eller skiftes ut av et autorisert servicecenter dersom ikke annet er angitt andre steder i denne håndboken.
- Sjekk bladet og motorfesteboltene ofte, for å se at de er riktig strammet. Blader skal også inspiseres visuelt blad for skader (f.eks. bøyning, sprekker og slitasje). Bladet skal bare byttes med et blad fra EGO™.

- Bytt bladet hvis det er bøyd eller sprukket. Et ubalansert blad gir vibrasjoner som kan skade motorens drivenhet eller forårsake personskader.
- Hvis utstyret begynner å vibrere unormalt, må motoren stoppes og sjekkes umiddelbart, for å finne årsaken. Vibrasjoner er vanligvis en advarsel om at noe er galt.
- Trimmeren skal brukes til å kutte stalker som er mindre enn (33 mm) tykke.
- Trimming skal bare gjøres i dagslys eller med god kunstig belysning.
- Fjern eller koble fra batteriet før du utfører vedlikehold, rengjøring eller fjerning av materiale fra hekksaksen.
- Ikke vask med hageslange; unngå å få vann i motoren og i elektriske kontakter.
- Ved service skal det kun brukes identiske reservedeler som nevnt i denne håndboken. Bruk av deler som ikke oppfyller de opprinnelige utstyrsspesifikasjonene kan føre til feil i ytelsen og dårligere sikkerhet.
- Følg instruksjonene for smøring og bytte av tilbehør.
- Hold håndtakene tørre, rene og frie for olje og fett.
- Ta vare på disse instruksjonene. Referer til dem ofte, og bruk dem til å instruere andre som kan komme til å bruke verktøyet. Hvis du låner ut verktøyet til noen andre, må de også få låne disse instruksjonene, for å hindre feilbruk av produktet og mulige skader.

TA VARE PÅ DISSE INSTRUKSJONENE!

SPESIFIKASJONER

Modellnummer	HT5100E	HT6500E	
Spenning	56 V	56 V	
Hastighet uten last	Høy	1600 /min	1600 /min
	Lav	1400 /min	1400 /min
Anbefalt driftstemperatur:	0 °C – 40 °C		
Anbefalt oppbevaringstemperatur:	-20 °C – 70 °C		
Bladlengde	51 cm	65 cm	
Kuttekapasitet	33 mm	33 mm	
Vekt (uten batteripakke)	3,6 kg	3,8 kg	
Målt lydeffektnivå L_{WA}	90 dB(A) K=1,55 dB(A)	91,45 dB(A) K=1,08 dB(A)	
Lydtrykknivå ved førerplassen L_{PA} K=2,5 dB(A)	81,5 dB(A)	81,4 dB(A)	
Garantert lydeffektnivå L_{WA} (målt i henhold til 2000/14/EC)	92 dB(A)	93 dB(A)	

Vibrasjon a_n K=1,5 m/s ²	Front håndtak	3,369 m/s ²	5,313 m/s ²
	Bakre håndtak	1,876 m/s ²	3,115 m/s ²

Den deklarerte totale vibrasjonsverdien er målt i overensstemmelse med en standard testmetode, og kan brukes til å sammenligne ett verktøy med et annet;

- Den deklarerte totale vibrasjonsverdien kan også brukes i en foreløpig vurdering av eksponering.

MERK: Vibrasjoner under faktisk bruk av elektroverktøyet kan variere fra den opplyste verdien der verktøyet brukes; For å beskytte brukeren, skal det brukes hansker og hørselsvern under de faktiske bruksforholdene.

PAKKELISTE

NAVN PÅ DEL	MENGDE
Hekktrimmer	1
Skjold	1
Bruksanvisning	1

NO

BESKRIVELSE

KJENN HEKSAKSEN DIN (fig. A)

1. Batteriutløsningsknapp
2. Bakhåndtak
3. Låseutløser
4. Bakre bryterspak
5. Justeringsknott for hastighet
6. Fronthåndtak
7. Fremre bryterspak
8. Håndskjerm
9. Bladskjerm
10. Blad
11. Tuppbeskytter
12. Låsehake
13. Elektriske kontakter
14. Festespor
15. Uttastingsmekanisme
16. Lås for håndtak
17. Motorhus
18. Skjerm

⚠ ADVARSEL: Dette produktet er levert ferdig montert. Håndbeskyttelsen skal aldri fjernes under bruk. Når den er skadet, må den byttes ut av en kvalifisert servicetekniker.

⚠ ADVARSEL: Sikker bruk av dette produktet krever at man forstår informasjonen på verktøyet og i bruksanvisningen, samt at man har kjennskap til prosjektet du prøver deg på. Før bruk av dette produktet, må man gjøre seg kjent med alle driftsfunksjonene og sikkerhetsreglene.

DRIFT

⚠ ADVARSEL: Ikke la fortrolighet med dette produktet gjøre deg uforsiktig. Husk at et uforsiktig tiendedel av et sekund er nok til å forårsake alvorlige skader.

⚠ ADVARSEL: Bruk alltid vernebriller med sidebeskyttelse, og hørselsvern. Unnlattelse av å gjøre dette kan resultere i at gjenstander som blir kastet kommer inn i øynene, og andre mulige og alvorlige skader.

⚠ ADVARSEL: For å hindre utilsiktet start som kan føre til alvorlig personskade, skal batteripakken alltid tas ut av verktøyet når du monterer deler, gjør justeringer, rengjør, eller når verktøyet ikke er i bruk.

⚠ ADVARSEL: Ikke bruk eventuelle tilsatser eller tilbehør som ikke er anbefalt av EGO™. Bruk av tilbehør eller deler som ikke er anbefalt kan føre til alvorlige personskader.

Før hver bruk skal hele produktet for inspiseres for skader, mangler eller løse deler, for eksempel skruer, muttere, bolter, heter, osv. Trekk til alle festene og hettene godt, og ikke bruk dette produktet før alle manglende eller skadede deler har blitt byttet.

APPLIKASJON

Du kan bruke dette produktet for trimming av hekker og busker med en gren diameter på mindre enn Ø33 mm.

MERK: Verktøyet skal bare brukes til det foreskrevne formålet sitt. All annen bruk anses å være misbruk.

INSTALLERING/FJERNING AV BATTERIPAKKEN

Lad opp før første gangs bruk.

Installering (fig. B)

Juster batteririllene sammen med monteringssporene, og trykk batteripakken ned til du hører et "klikk".

Fjerning (fig. C)

Trykk ned batteriutløserknappen, og trekk batteripakken ut.

⚠ ADVARSEL: Legg alltid merke til hvor føttene dine er, og hvor barn eller kjeledyr er når du trykker på batteriutløserknappen. Alvorlig personskade kan oppstå hvis batteripakken faller ned. ALDRI ta ut batteriet på et høyt sted.

START/STOPP AV HEKKSAKSEN

Før du bruker den, må bladbeskytteren fjernes, trimmeren holdes med begge hender, en hånd på det bakre håndtaket og den andre på det fremre håndtaket. Sjekk at du har balansert fotfeste, er i oppreist stilling og har riktig kutteavstand.

⚠ ADVARSEL: Hold alltid begge hendene på håndtakene på hekksaksen. Ikke hold busker med den ene hånden og kjør hekksaksen med den andre. Unnlattelse av å følge denne advarselen, kan føre til alvorlige skader.

For å starte

Trykk inn låseutløseren med håndflaten og trykk deretter den bakre avtrekkeren opp. Når den bakre avtrekkeren er trykket inn, fortsetter du å trykke på den bakre avtrekkeren for å starte.

For å stoppe

Slipp en av bryterspakene for å stoppe den.

MERK: Både bryterspakene må trykkes for at hekksaksen skal starte.

BRUKE HEKKSAKSEN

⚠ ADVARSEL: Hvis bladet kjører seg fast på en elektrisk ledning eller linje, MÅ DU IKKE BERØRE BLADET! DEN KAN BLI STRØMFØRENDE OG MEGET FÆRLIG. Fortsett å holde hekksaksen i det isolerte bakre håndtaket, eller legg den ned og beveg deg unna på en sikker måte. Koble fra elektrisiteten til den skadede kabelen, eller ledningen før du forsøker å frigjøre bladet fra kabelen eller ledningen. Unnlattelse av å ta hensyn til denne advarselen kan resultere i alvorlig personskade eller mulig død.

⚠ ADVARSEL: For å unngå alvorlig personskade, skal hendene alltid holdes borte fra bladene. Ikke forsøk å fjerne løse materialer eller holde i materialer som skal kuttes når bladene er i bevegelse. Pass på at bladene har stoppet helt og at batteripakken fjernes før du fjerner fastkjørt materiale fra bladene. Ikke ta tak i eksponerte kutterblader eller kutterkanter når du plukker opp eller holder enheten.

⚠ ADVARSEL: Rydd området som skal skjæres før hver bruk. Fjern alle objekter, for eksempel ledninger, lys, kabler eller streng som kan vikle seg inn i skjærebladet og skape fare for alvorlig personskade.

⚠ ADVARSEL: Unngå å trimme for mye på en gang, eller gjennom tunge buskas. Dette kan føre til at bladene bindes opp og blir langsomme, noe som reduserer kutteeffektiviteten.

MERK: For ny vekst er en bred, sveipende bevegelse for å mate stilkene direkte inn i kutterbladet. For eldre vekst er en sagende bevegelse bra for trimming av tykkere stalker. Ikke-drevne håndsager eller beskærings-sager anbefales for å trimme store stammer først.

Toppklipping

Bruk et bred, sveipende bevegelse. En svak nedadgående vinkel på bladene i bevegelsesretningen gir best kutteresultat. For bedre kutteeffekt, kan du like godt bruke strengen til å guide hekkknivået som vist i fig. D.

Sidekutting

Når man trimmer hekksidene, begynner man nederst og klipper oppover som vist i fig. E1 eller Fig. E2.

Radikal kutting

Håndtaket til hekksaksen kan settes i fem stillinger ($0^\circ/\pm 45^\circ/\pm 90^\circ$) ved å trekke ut låsen (fig. F1 til fig F5). Hvis radikal kutting er nødvendig, setter du det bakhåndtaket til kuttstillingen $\pm 45^\circ$ (fig. F2 og F4).

⚠ ADVARSEL: Skjærebladet må ikke være i bevegelse mens håndtaket justeres.

MERK: Mens du jobber, skal håndtaket alltid vende oppover uansett hvor hekksaksen peker.

Tuppbeskytter

Tuppbeskytteren (fig. G) brukes til å beskytte den ytre enden av bladet.

Bladskjerm

Den ytre delen av bladene er formet som bladbeskytter (fig. H).

H-1	Blad
H-2	Bladskjerm

⚠ ADVARSEL: Kontroller alltid at bladbeskytteren ikke er skadet eller forvrengt. Bytt den hvis den er bøyd eller skadet.

VEDLIKEHOLD

⚠ ADVARSEL: Ved service skal det bare brukes originale reservedeler. Bruk av andre deler kan forårsake farer eller skader på produktet. For sikre både sikkerheten og påliteligheten, skal alle reparasjoner utføres av en kvalifisert servicetekniker.

⚠ ADVARSEL: For å unngå alvorlige personskader, skal batteripakken alltid tas ut fra produktet når du rengjør eller utfører vedlikehold.

RENGJØRING

- Bruk en myk børste til å fjerne smuss fra alle luftinntak og fra kutterbladet.
- For å fjerne bek og andre klissete rester, sprayes bladene med harpiks-løsemiddel. Kjør motoren en kort stund, slik at løsningsmidlet blir jevnt fordelt.
- Tørk overflaten med en tørr klut.

⚠ ADVARSEL: Bruk aldri vann til rengjøring av trimmeren din. Unngå å bruke løsemidler når plastdeler skal rengjøres. De fleste plasttyper er utsatt for skader fra ulike typer kommersielle løsemidler. Bruk rene kluter for å fjerne skitt, støv, olje, fett, osv.

SLIPING AV KUTTEBLADET

1. Fjern batteripakken fra hekksaksen din.
2. Sett bladmonteringen i en skrustikke og fil den eksponerte snittflaten til hver bladtann. Fjern så lite materiale som mulig.
3. Fjern hekksaksen fra skrustikken, og juster slik at sløve blad synes. Gjenta fremgangsmåten ovenfor til alle bladets tenner er skarpe.

MERK: Ikke bruk hekksaksen med sløve eller skadede kutterblader. Dette kan føre til overbelastning og vil ikke gi tilfredsstillende kutteresultat.

SMØRING AV BLADET

For beste drift og lengre bladlevetid, smøres hekksaksens blad med lett maskinolje før og etter hver bruk.

Ta ut batteriet og legg trimmeren på et flatt underlag. Påfør oljen langs kanten av det øverste bladet.

MERK: Ved lengre bruksperioder, skal bladet oljes under kutting.

⚠ ADVARSEL: Ikke smør hekksaksen mens den er i gang.

NO

SMØRING AV GIRKASSEN

For best mulig drift og lengre levetid, smør hegnetrimmergirkassen med et spesielt fett (5-6 g i nr. 1 Og 10-12 g i nr. 2 Hver gang) etter hver 25. Driftstime.

MERK: Kontakt din lokale ego-forhandler for å få hjelp.

Spesialfettet må oppfylle følgende krav:

1. Klassifisert iht. DIN51818: NLGI-2 inntreningsgrad av kjegle.
2. Bestående av polyurea-fortykningmidler + syntetisk smøreolje
3. Enestående egenskaper mht. oppstart ved lav temperatur, EP, mekanisk avklipping, slitasjebestandighet og oksideringsstabilitet.
4. Betjeningstemperatur må være innenfor -40 ~ 180 °C.

NO

TRANSPORT OG LAGRING

- Plasser alltid bladbeskyttelsen på bladet før du lagrer eller transporterer hekksaksen. Vær nøye med å unngå de skarpe tennene på bladet.
- Rengjør hekksaksen grundig før lagring.
- Oppbevar hekksaksen innendørs, på et tørt sted som er utilgjengelig for barn.
- Holdes vekk fra etsende midler, for eksempel hagekjemikalier og avisingsalter.

⚠ ADVARSEL: Bladene er skarpe. Når du håndterer bladenheten, skal det brukes sklisliske, tunge vernehansker. Ikke plasser hånden eller fingrene mellom bladene eller i noen posisjon der de kan bli klemt eller kuttet. ALDRI ta på bladene eller utfør vedlikehold på enheten med batteripakken installert.

Beskytt miljøet



Elektrisk utstyr, batterilader og batterier/ oppladbare batterier skal ikke kastes i husholdningsavfall.

Ifølge EU-forskrift 2012/19/EU, skal elektrisk og elektronisk utstyr som ikke lenger er brukbart, og som i henhold til EU-forskrift 2006/66/EC har defekte eller brukte batteripakker/batterier, samles inn separat.

Hvis elektrisk apparater kastes på søppelfyllinger, kan farlige stoffer lekke ut i grunnvannet og komme inn i næringskjeden, og forårsake skader på helse og velvære.

FEILSØKING

PROBLEM	ÅRSAK	LØSNING
Hekksaksen virker ikke	<ul style="list-style-type: none"> Batteripakken er ikke festet til hekksaksen. 	<ul style="list-style-type: none"> Fest batteripakken til hekksaksen.
	<ul style="list-style-type: none"> Ingen elektrisk kontakt mellom trimmeren og batteriet 	<ul style="list-style-type: none"> Fjern batteriet, sjekk kontakter og installer batteripakken.
	<ul style="list-style-type: none"> Batteripakken er tom. 	<ul style="list-style-type: none"> Lad opp batteripakken.
	<ul style="list-style-type: none"> Batteripakken er for varm. 	<ul style="list-style-type: none"> Fjern batteripakken fra verktøyet og la den avkjøles inntil temperaturen synker under 67 °C.
	<ul style="list-style-type: none"> Hekksaksen er for varm. 	<ul style="list-style-type: none"> Slipp begge bryterspakene; la trimmer avkjøles inntil temperaturen synker under 77 °C.
	<ul style="list-style-type: none"> De to bryterspakene ble ikke trykket ned samtidig. 	<ul style="list-style-type: none"> Trykk ned bryterspakene på fremre og bakre håndtak samtidig.
	<ul style="list-style-type: none"> Bladet har kjørt seg fast. 	<ul style="list-style-type: none"> Fjern batteripakken fra verktøyet, fjern gjenstandene nøye, og sett inn batteriet igjen, og start verktøyet igjen.
Overdreven vibrasjon og støy	<ul style="list-style-type: none"> Tørre eller korroderte blader. 	<ul style="list-style-type: none"> Smør knivene som beskrevet i avsnittet «SMØRING AV BLADET» i denne bruksanvisningen.
	<ul style="list-style-type: none"> Bladene eller bladstøttene er bøyd. 	<ul style="list-style-type: none"> Bytt ut med et nytt blad eller ny støtte. Kontakt EGO-servicesenteret for hjelp med blad eller bytte.
	<ul style="list-style-type: none"> Bøyde eller ødelagte tenner. 	<ul style="list-style-type: none"> Bytt ut med et nytt blad. Kontakt EGO-servicesenteret for å få byttet bladet service.
	<ul style="list-style-type: none"> Løse bladbolter. 	<ul style="list-style-type: none"> Stram bladboltene. Bruk en skiftenøkkel, og skru boltene med klokken for å stramme den.

NO

GARANTI

EGOs GARANTIREGLER

Besøk nettsiden egopowerplus.com for å se fullstendige vilkår og betingelser for EGO-garantireglene.

ПРОЧИТАЙТЕ ВСЕ ИНСТРУКЦИИ!



ПРОЧИТАЙТЕ И РАЗБЕРИТЕСЬ С РУКОВОДСТВОМ ПОЛЬЗОВАТЕЛЯ

⚠ Остаточные риски! Если вы используете электронные устройства, такие как кардиостимулятор, перед эксплуатацией данного устройства проконсультируйтесь с врачом. Использование электрооборудования в непосредственной близости от кардиостимулятора может привести к образованию помех и повреждению кардиостимулятора.

⚠ ПРЕДУПРЕЖДЕНИЕ. Чтобы обеспечить безопасность и надежность устройства, его ремонт и замену частей должен выполнять квалифицированный специалист.

СИМВОЛЫ БЕЗОПАСНОСТИ

Символы безопасности предназначены для привлечения внимания к возможным рискам. Символы безопасности, а также объяснения к ним, требуют особого внимания и понимания. Предупреждения по технике безопасности сами по себе не устраняют опасность.

Инструкции и предупреждения не заменяют соответствующие меры по предотвращению несчастных случаев.

⚠ ПРЕДУПРЕЖДЕНИЕ. Перед использованием устройства внимательно прочитайте все инструкции в данном руководстве пользователя и ознакомьтесь с предупреждающими символами безопасности, такими как «ОПАСНОСТЬ», «ПРЕДУПРЕЖДЕНИЕ» и «ВНИМАНИЕ». Несоблюдение всех приведенных ниже инструкций может привести к поражению электрическим током, возникновению пожара и/или получению серьезных травм.

ЗНАЧЕНИЕ СИМВОЛОВ

ПРЕДУПРЕЖДАЮЩИЙ СИМВОЛ Означает **УВЕДОМЛЕНИЯ, ПРЕДУПРЕЖДЕНИЯ** и **ПРЕДОСТЕРЕЖЕНИЯ**. Может использоваться с другими символами или изображениями.

⚠ ПРЕДУПРЕЖДЕНИЕ. В результате работы электроинструмента в глаза могут попасть посторонние предметы, что приведет к серьезному повреждению глаз. Перед началом использования электроинструмента всегда надевайте защитную маску или защитные очки с боковыми щитками и полнопрофильную защитную маску (при необходимости). Поверх очков или стандартных защитных очков рекомендуется надевать защитную маску с широким обзором.

ИНСТРУКЦИИ ПО ТЕХНИКЕ БЕЗОПАСНОСТИ

Далее приведено изображение и описание символов безопасности, которые могут присутствовать на данном устройстве. Перед сборкой или использованием внимательно прочитайте все инструкции, приведенные на устройстве, и соблюдайте их.

	Предупреждение об опасности	Указывает на потенциальную опасность получения травмы.
	Внимательно прочитайте руководство пользователя.	Прочитайте руководство по эксплуатации, чтобы уменьшить риск получения травм.
	Не оставляйте под дождем.	ПРЕДУПРЕЖДЕНИЕ. Во время дождя не используйте устройство и не оставляйте его вне помещения.
	Длина ножа	Длина ножа
	Производительность резания	Макс. производительность резки ножа
V	Вольт	Напряжение
A	Амперы	Сила тока
Hz	Герц	Частота (оборотов в секунду)
W	Ватт	Мощность
min	Минуты	Время
	Переменный ток	Тип тока
	Постоянный ток	Тип или характеристика тока
n_0	Скорость работы без нагрузки	Скорость вращения без нагрузки
... /min	В минуту	Оборотов в минуту
SPM	Тактов в минуту	Скорость хода без нагрузки

ОБЩИЕ ПРЕДУПРЕЖДЕНИЯ ПО БЕЗОПАСНОСТИ ПРИ РАБОТЕ С ЭЛЕКТРОИНСТРУМЕНТАМИ

⚠ ПРЕДУПРЕЖДЕНИЕ. Прочитайте все предупреждения по технике безопасности и инструкции. Несоблюдение этих предупреждений и инструкций может привести к поражению электрическим током, пожару и (или) тяжелым травмам.

Сохраните все предупреждения и инструкции для использования в будущем.

Термин «электроинструмент» в предупреждениях означает электрический инструмент с питанием от сети (с кабелем) или электрический инструмент с питанием от батареи (без кабеля).

БЕЗОПАСНОСТЬ РАБОЧЕГО МЕСТА

- **Обеспечьте чистоту и освещенность рабочего места.** Загроможденные и плохо освещенные места служат причиной несчастных случаев.
- **Не используйте электроинструменты во взрывоопасных местах, например вблизи горючих жидкостей, газов или пыли.** Электроинструменты генерируют искры, которые могут воспламенить пыль или испарения.
- **Не позволяйте детям и другим людям находиться вблизи работающего электроинструмента.** Отвлекающие факторы могут привести к потере контроля над инструментом.

ЭЛЕКТРОБЕЗОПАСНОСТЬ

- **Вилка электроинструмента должна соответствовать розетке. Никогда не переделывайте вилку. Не используйте никакие переходники для вилок с заземлением.** Использование оригинальных вилок и соответствующих им розеток уменьшает риск поражения электрическим током.
- **Избегайте прикосновений к заземленным объектам, таким как трубы, радиаторы, плиты и холодильники.** Существует повышенная опасность поражения электрическим током, если ваше тело заземлено.
- **Не подвергайте электроинструменты воздействию дождя или влаги.** При попадании воды в электроинструмент увеличивается риск поражения электрическим током.

- **Обращайтесь с кабелем аккуратно. Никогда не переносите, не тяните и не выключайте электроинструмент за кабель. Не оставляйте кабель вблизи источников тепла, масла, острых предметов или движущихся частей.** Поврежденные или запутанные кабели повышают опасность поражения электрическим током.
- **Для работы с электроинструментом вне помещения используйте предназначенный для этого удлинительный кабель.** Использование кабеля, подходящего для использования вне помещения, снижает риск поражения электрическим током.
- **Если использование электроинструмента в сыром помещении неизбежно, подключайте его через устройство защитного отключения (УЗО).** Использование УЗО уменьшает риск поражения электрическим током.

ЛИЧНАЯ БЕЗОПАСНОСТЬ

- **Будьте бдительны, следите за тем, что делаете, и следуйте здравому смыслу при использовании электроинструмента. Не пользуйтесь электроинструментом, если вы устали или находитесь под воздействием наркотиков, алкоголя или медикаментов.** Даже кратковременная невнимательность при работе с электроинструментом может привести к серьезным травмам.
- **Используйте средства индивидуальной защиты. Всегда надевайте защитные средства для глаз.** Использование защитных средств, таких как противопылевая маска, нескользкая предохранительная обувь, жесткая каска или средства защиты органов слуха в соответствующих условиях уменьшает риск травмирования.
- **Не допускайте непредвиденных запусков. Перед подключением электроинструмента к сети питания и/или аккумулятору и перед его переноской убедитесь, что выключатель находится в выключенном положении.** Переноска электроинструмента с пальцем на выключателе и включение вилки в розетку при включенном электроинструменте — причины несчастных случаев.
- **Перед включением электроинструмента снимите с него регулировочные инструменты и гаечные ключи.** Гаечный ключ, оставленный на подвижной детали электроинструмента, может вызвать травмы.
- **Перед включением электроинструмента снимите с него регулировочные инструменты и гаечные ключи.** Гаечный ключ, оставленный на подвижной детали электроинструмента, может вызвать травмы.
- **Не тянитесь. Во время работы всегда сохраняйте устойчивое положение.** Это позволит лучше контролировать электроинструмент в непредвиденных ситуациях.

- Одевайтесь надлежащим образом. Не надевайте свободную одежду и украшения. Держите волосы, одежду и перчатки подальше от движущихся частей. Свободная одежда, украшения и длинные волосы могут попасть в движущиеся части.
- При наличии пылеулавливающих устройств убедитесь в том, что они подключены и правильно работают. Использование пылеулавливающих устройств снижает вред, причиняемый пылью.

ИСПОЛЬЗОВАНИЕ И ОБСЛУЖИВАНИЕ ЭЛЕКТРОИНСТРУМЕНТА

- Не прилагайте к электроинструменту чрезмерных усилий. Используйте подходящий для ваших задач электроинструмент. Правильно выбранный электроинструмент безопасен и лучше работает при номинальной мощности.
- Не используйте электроинструмент, если его выключатель неисправен. Электроинструменты с неисправным выключателем опасны и подлежат ремонту.
- Перед регулировкой, сменой аксессуаров или хранением отключите электроинструмент от сети питания и/или аккумулятора. Такие меры предосторожности уменьшают риск случайного запуска электроинструмента.
- Храните неиспользуемые электроинструменты в местах, недоступных для детей, и не доверяйте электроинструмент лицам, не знакомым с ним и с этими инструкциями. Электроинструменты опасны в руках неподготовленных пользователей.
- Выполняйте техническое обслуживание электроинструментов. Проверьте выравнивание и сцепление подвижных деталей, наличие поломок и прочие условия, которые могут повлиять на работу электроинструмента. В случае повреждения инструмента отремонтируйте его перед использованием. Многие несчастные случаи вызваны неправильным обслуживанием электроинструментов.
- Храните режущие инструменты в чистоте и заточенном состоянии. Правильно обслуживаемые и хорошо заточенные режущие инструменты меньше заклинивают и лучше контролируются.
- Используйте электроинструмент, аксессуары, насадки и т. п. в соответствии с этими инструкциями, учитывая условия и специфику выполняемой работы. Использование электроинструмента для выполнения непредусмотренных операций может привести к опасным ситуациям.

ИСПОЛЬЗОВАНИЕ И СОДЕРЖАНИЕ ИНСТРУМЕНТА С ПИТАНИЕМ ОТ БАТАРЕЙ

- Заряжайте батареи только с помощью зарядного устройства, указанного изготовителем. Зарядное устройство, предназначенное для одного типа аккумуляторных батарей, может стать причиной пожара при использовании с другим типом батарей.
- Используйте электроинструмент только со специально предназначенными для него аккумуляторными батареями. Использование любого другого вида аккумуляторных батарей может стать причиной несчастных случаев или пожара.
- Когда аккумулятор не используется, храните его отдельно от металлических предметов — канцелярских скрепок, монет, ключей, гвоздей, винтов и др. — они могут замкнуть контакты. Короткое замыкание контактов аккумуляторной батареи может стать причиной ожогов или пожара.
- При неблагоприятных обстоятельствах из аккумуляторной батареи может потечь электролит. Избегайте контакта с ним. При случайном контакте с кожей промойте пораженный участок проточной водой. Если электролит попал в глаза, обратитесь к врачу. Электролит из аккумуляторной батареи может вызвать раздражение и ожоги.

ОБСЛУЖИВАНИЕ

- Обслуживание электроинструмента должно выполняться квалифицированным специалистом с использованием только идентичных запасных частей. Это обеспечит безопасную работу электроинструмента.

ПРЕДОСТЕРЕЖЕНИЯ ОБ ОПАСНОСТИ ПРИ ИСПОЛЬЗОВАНИИ КУСТОРЕЗА

- Следите за тем, чтобы части тела находились на расстоянии от ножа. Не убирайте срезанные части и не держите обрезаемые части во время вращения ножа. Перед очисткой от застрявших материалов убедитесь, что устройство выключено. Даже кратковременная невнимательность при использовании кустореза может привести к серьезным травмам.
- Во время переноски кусторез необходимо держать за рукоятку; нож не должен вращаться. Во время транспортировки или хранения режущее устройство должно быть закрыто крышкой. Надлежащее использование кустореза снижает риск получения травмы в результате контакта с ножом.

- **Держите электроинструмент только за поверхности с защитным покрытием, так как нож может касаться скрытой электропроводки.** Касание ножами проводки под напряжением может передать напряжение на металлические части электроинструмента и привести к поражению оператора электрическим током.
- **Держите кабель подальше от режущих элементов.** Во время использования кабель может затеряться в кустах и случайно попасть под нож.
- **Перед работой проверьте живую изгородь на наличие посторонних объектов (например, проволочных ограждений).**
- **Используйте кусторез только с правильно установленным щитком.** Использование кустореза без соответствующего щитка может привести к получению серьезной травмы.
- **Во время работы всегда держите кусторез обеими руками.** Управление кусторезом одной рукой может привести к потере контроля и получению серьезных травм.

⚠ ПРЕДУПРЕЖДЕНИЕ. Перед работой проверьте живую изгородь на наличие посторонних объектов (например, проволочных ограждений). Используйте кусторез только с правильно установленным щитком. Использование кустореза без соответствующего щитка может привести к получению серьезной травмы.

ВАЖНЫЕ ИНСТРУКЦИИ ПО ТЕХНИКЕ БЕЗОПАСНОСТИ

- Не используйте кусторез с питанием от аккумулятора в дождливую погоду.
- Не заряжайте аккумулятор под дождем или во влажных условиях.
- Используйте только аккумуляторы и зарядные устройства, указанные на рис. А.
- При обращении с кусторезом не беритесь за открытые ножи или режущие края.
- Не используйте устройство на лестницах, крышах, деревьях и других неустойчивых опорах. Устойчивое положение на твердой поверхности позволяет лучше контролировать кусторез в непредвиденных ситуациях.
- Не позволяйте детям использовать кусторез.
- Никогда не демонтируйте и не изменяйте защитные устройства. Регулярно проверяйте их функционирование. Никогда не пренебрегайте работе защитных устройств и не снижайте степень защиты, предоставляемой защитным устройством.
- Не используйте кусторез без надлежащей установки соответствующих защитных ограждений, пластин или других защитных устройств.
- Перед каждым использованием кустореза проверяйте его на наличие поврежденных частей. Если щиток или какие-либо другие части повреждены, тщательно проверьте их состояние и следите за их исправной работой и выполнением предназначенной функции. Проверьте правильное положение и сцепление движущихся частей, наличие их повреждений, крепление и другие условия, которые могут повлиять на работу электроинструмента. В случае повреждения щитка или другие части необходимо отремонтировать надлежащим образом или заменить в авторизованном сервисном центре, если не указано иное в данном руководстве пользователя.
- Периодически проверяйте надежность фиксации ножа и крепежных болтов. Также визуально проверяйте нож на наличие повреждений (например, изгибов, трещин и признаков износа). Для замены используйте только ножи от EGO™.
- Замените нож, если он согнулся или треснул. Несбалансированный нож вызывает вибрацию, которая может привести к повреждению двигателя устройства или травмам.
- Если устройство чрезмерно вибрирует, заглушите двигатель и немедленно выясните причину. Обычно вибрация указывает на возникновение проблемы.
- Кусторез может использоваться для резки стеблей толщиной не более 33мм.
- Работайте только при дневном свете или хорошем искусственном освещении.
- Извлеките и отсоедините аккумулятор перед выполнением обслуживания, очистки или удаления материала из кустореза.
- Не мойте устройство из шланга. Избегайте попадания воды в двигатель и электрические соединения.
- При ремонте используйте только идентичные запасные части, указанные в данном руководстве. Запасные части, которые не соответствуют оригинальным характеристикам устройства, могут стать причиной неправильной и небезопасной работы.
- При смазке и замене частей инструмента следуйте инструкциям.
- Следите за тем, чтобы рукоятки были сухими и чистыми и на них не было масла или смазочного материала.

- Сохраните данные инструкции. Регулярно просматривайте их и предоставляйте для ознакомления другим пользователям. Одалживая кому-либо устройство, передайте также данные инструкции для предотвращения неправильного использования и возможных травм.

СОХРАНИТЕ ДАННЫЕ ИНСТРУКЦИИ!

ТЕХНИЧЕСКИЕ ХАРАКТЕРИСТИКИ

Номер модели	HT5100E	HT6500E	
Напряжение	56 В ---	56 В ---	
Скорость работы без нагрузки	Высокая	1600 об/мин	1600 об/мин
	Низкая	1400 об/мин	1400 об/мин
Рекомендуемая рабочая температура:	от 0 до 40 °C		
Рекомендуемая температура хранения:	от -20 до -70 °C		
Длина ножа	51 см	65 см	
Производительность резания	33 мм	33 мм	
Масса (без батарейного блока)	3,6 кг	3,8 кг	
Измеренный уровень звуковой мощности L_{WA}	90 дБ (A) K = 1,55 дБ (A)	91,45 дБ (A) K = 1,08 дБ (A)	
Уровень звукового давления в рабочем состоянии L_{PA} K = 2,5 дБ (A)	81,5 дБ (A)	81,4 дБ (A)	
Гарантированный уровень звуковой мощности L_{WA} (измерен в соответствии с 2000/14/EC)	92 дБ (A)	93 дБ (A)	
Вибрация a_n K = 1,5 м/с ²	Передняя рукоятка	3,369 м/с ²	5,313 м/с ²
	Задняя рукоятка	1,876 м/с ²	3,115 м/с ²

- Указанный общий показатель уровня вибрации был определен с помощью стандартного теста и может быть использован для сравнения разных инструментов.
- Указанный общий уровень вибрации может использоваться также для предварительной оценки уровня воздействия.

ПРИМЕЧАНИЕ. Реальное вибрационное воздействие электроинструмента может отличаться от указанного в зависимости от способа использования. В целях безопасности оператор должен надевать перчатки и средства защиты органов слуха во время использования устройства.

УПАКОВОЧНЫЙ ЛИСТ

НАЗВАНИЕ ДЕТАЛИ	КОЛИЧЕСТВО
Кусторез	1
Щиток	1
Руководство по эксплуатации	1

ОПИСАНИЕ

ЧАСТИ КУСТОРЕЗА (Рис. А)

1. Кнопка фиксации аккумулятора
2. Задняя рукоятка
3. Курок блокировки
4. Задний рычаг переключения
5. Ручка регулировки скорости
6. Передняя рукоятка
7. Передний рычаг переключения
8. Щиток для защиты руки
9. Щиток ножа
10. Нож
11. Защита наконечника
12. Фиксатор
13. Электрические контакты
14. Крепежное отверстие
15. Выталкивающий механизм
16. Фиксатор рукоятки
17. Корпус двигателя
18. Щиток

▲ ПРЕДУПРЕЖДЕНИЕ. Данный инструмент поставляется в полностью собранном состоянии. Никогда не демонтируйте щиток для защиты руки во время использования. Если щиток поврежден, немедленно обратитесь к квалифицированному специалисту для замены.

⚠ ПРЕДУПРЕЖДЕНИЕ. Для безопасного использования устройства необходимо изучить и понять информацию, указанную на самом устройстве и в настоящем руководстве пользователя, а также иметь ясное представление о планируемой работе. Перед использованием устройства ознакомьтесь со всеми функциями и правилами безопасности.

ИСПОЛЬЗОВАНИЕ

⚠ ПРЕДУПРЕЖДЕНИЕ. Не допускайте небрежности и беспечности при работе с устройством. Помните, что потери бдительности на долю секунды достаточно для получения серьезной травмы.

⚠ ПРЕДУПРЕЖДЕНИЕ. Всегда надевайте защитные очки с боковыми щитками, а также используйте защиту органов слуха. В противном случае выбрасываемые предметы попадут в глаза, что может привести к получению серьезной травмы.

⚠ ПРЕДУПРЕЖДЕНИЕ. Чтобы предотвратить случайное включение устройства и получение серьезной травмы, извлекайте аккумулятор перед выполнением сборки, регулировки и очистки, а также когда устройство не используется.

⚠ ПРЕДУПРЕЖДЕНИЕ. Не используйте насадки или дополнительные приспособления, не рекомендованные EGO™. Использование нереконструированных дополнительных приспособлений может привести к серьезным травмам.

Перед каждым использованием полностью проверяйте устройство на наличие поврежденных, отсутствующих или ослабленных частей, таких как винты, гайки, болты, заглушки и т. д. Надежно закрепите все фиксаторы и заглушки и не пользуйтесь устройством до тех пор, пока не будут заменены поврежденные или отсутствующие части.

ПРИМЕНЕНИЕ

Данное устройство можно использовать для обрезки живых изгородей, кустов и кустарниковых растений с диаметром веток не более Ø33 мм.

ПРИМЕЧАНИЕ. Инструмент должен использоваться только по назначению. Любое другое использование, кроме упомянутого, считается неправильным.

УСТАНОВКА И ДЕМОНТАЖ АККУМУЛЯТОРА

Зарядите перед первым использованием.

Установка (Рис. В)

Совместите ребра аккумулятора с крепежными отверстиями и вставьте аккумулятор до щелчка.

Демонтаж (Рис. С)

Нажмите кнопку фиксации аккумулятора и извлеките аккумулятор.

⚠ ПРЕДУПРЕЖДЕНИЕ. Всегда следите за положением своих ног, а за также за местонахождением детей и животных, когда нажимаете на кнопку фиксации аккумулятора. Падение аккумулятора может привести к серьезным травмам. НИКОГДА не извлекайте аккумулятор, если находитесь на возвышенности.

ВКЛЮЧЕНИЕ И ВЫКЛЮЧЕНИЕ КУСТОРЕЗА

Перед использованием устройства снимите щиток ножа и возьмите кусторез обеими руками за заднюю и переднюю рукоятки. Затем примите устойчивое вертикальное положение, соблюдая надлежащее расстояние для работы.

⚠ ПРЕДУПРЕЖДЕНИЕ. Всегда держите кусторез обеими руками за рукоятки. Никогда не управляйте кусторезом одной рукой, чтобы другой держать кустарник. Несоблюдение данного требования может привести к получению серьезных травм.

Включение

Нажмите и удерживайте курок блокировки ладонью, а затем сдвиньте задний рычаг переключения вверх. Удерживая задний рычаг переключения, нажмите на передний рычаг переключения, чтобы запустить устройство.

Выключение

Отпустите оба рычага переключения, чтобы остановить кусторез.

ПРИМЕЧАНИЕ. Чтобы запустить кусторез, необходимо нажать и удерживать оба рычага переключения.

ИСПОЛЬЗОВАНИЕ КУСТОРЕЗА

⚠ ПРЕДУПРЕЖДЕНИЕ. Если в нож попал электропровод, НЕ КАСАЙТЕСЬ НОЖА! ОН МОЖЕТ БЫТЬ ПОД НАПРЯЖЕНИЕМ И ОЧЕНЬ ОПАСЕН. Продолжайте удерживать кусторез за изолированную заднюю рукоятку или отложите в сторону безопасным способом. Прежде чем удалить застрявший в ноже провод, отключите поврежденный провод от электросети. В противном случае это может привести к серьезным травмам или летальному исходу.

⚠ ПРЕДУПРЕЖДЕНИЕ. Чтобы предотвратить получение серьезных травм, держите руки подальше от ножа. Не убирайте срезанные части и не держите обрезаемые части во время вращения ножей. Прежде чем очистить нож от застрявшего материала, убедитесь, что нож полностью остановился и аккумулятор извлечен из устройства. При обращении с инструментом не беритесь за открытые ножи или режущие края.

⚠ ПРЕДУПРЕЖДЕНИЕ. Очищайте обрабатываемый участок перед каждым использованием инструмента. Удаляйте все предметы, такие как кабели, осветительные приборы, проволока или веревки, которые могут запутаться в ноже и создать риск получения серьезных травм.

⚠ ПРЕДУПРЕЖДЕНИЕ. Не срезайте сразу большие объемы и не пытайтесь прорезать плотный кустарник. В противном случае ножи запутаются, а производительность резки снизится.

ПРИМЕЧАНИЕ. При подравнивании подроста выполняйте широкие махи (подобно подметанию), чтобы подача стволов выполнялась непосредственно в ножи. У более старых зарослей стволы толще и их легче всего обрезать движением распиливания. Для обрезки крупных стволов используйте неприводную ручную пилу или пилу для обрезки ветвей.

Обрезка верхушек

Используйте широкие махи (подобно подметанию). Для достижения наилучших результатов слегка наклоните нож в направлении движения. Также для достижения наилучших результатов можно использовать веревку для обозначения уровня обрезки куста, как показано на Рис. D.

Боковая обрезка

При обрезании боковых веток работайте снизу вверх, как показано на Рис. E1 или E2.

Прикорневая резка

Ослабьте фиксатор, чтобы установить заднюю рукоятку кустореза в одно из пяти положений ($0^\circ \pm 45^\circ / \pm 90^\circ$) (Рис. F1-F5). Для прикорневой резки установите заднюю рукоятку под углом $\pm 45^\circ$ (Рис. F2 и F4).

⚠ ПРЕДУПРЕЖДЕНИЕ. Во время регулировки рукоятки устройство должно быть выключено.

ПРИМЕЧАНИЕ. Во время работы рукоятка всегда должна быть направлена вверх, независимо от того, в какую сторону направлен кусторез.

Защита наконечника

Защита наконечника (Рис. G) необходима для защиты внешнего конца ножа.

Щиток ножа

Внешняя часть ножей имеет такую же форму, что и щитки (Рис. H).

H-1	Нож
H-2	Щиток ножа

⚠ ПРЕДУПРЕЖДЕНИЕ. Всегда следите за тем, чтобы щиток ножа был не поврежден и не деформирован. Если щиток деформирован или поврежден, замените его.

ОБСЛУЖИВАНИЕ

⚠ ПРЕДУПРЕЖДЕНИЕ. При ремонте используйте только идентичные запасные части. Использование других запасных частей может привести к травмам или повреждению устройства. Чтобы обеспечить безопасность и надежность устройства, его ремонт должен выполнять квалифицированный специалист.

⚠ ПРЕДУПРЕЖДЕНИЕ. Во избежание травм всегда извлекайте аккумулятор из устройства перед чистой или обслуживанием.

ОЧИСТКА

- Используйте мягкую щетку, чтобы удалить загрязнения из воздухозаборных отверстий и с ножа.
- Для удаления смолы и других липких загрязнений распылите на нож растворитель для смол. Запустите двигатель на короткое время, чтобы растворитель равномерно распределился по ножу.
- Протрите поверхность сухой тканью.

⚠ ПРЕДУПРЕЖДЕНИЕ. Никогда не используйте воду для очистки кустореза. Не используйте растворители для очистки пластиковых элементов. Большинство пластиковых частей чувствительны к различным бытовым растворителям. Для очистки от грязи, пыли, масла, смазки и т. п. используйте чистую ткань.

ЗАТОЧКА НОЖА

1. Извлеките аккумулятор из кустореза.
2. Зафиксируйте узел ножа в тисках и используйте напильник, чтобы удалить выступающую режущую поверхность с каждого зубца. Постарайтесь снять как можно меньше материала.

3. Извлеките кусторез из тисков и переверните на необработанную поверхность. Повторяйте описанные процедуры до тех пор, пока все зубцы не будут заточены.

ПРИМЕЧАНИЕ. Не используйте кусторез с тупыми или поврежденными режущими ножами. Это может вызвать перегрузку и стать причиной неудовлетворительных результатов резки.

СМАЗКА НОЖА

Для обеспечения наилучшей производительности и увеличения срока службы кустореза смазывайте его легким машинным маслом перед каждым использованием и после него.

Извлеките аккумулятор и положите кусторез на ровную поверхность. Распределите масло по краю верхнего ножа.

ПРИМЕЧАНИЕ. При длительном использовании кустореза смазывайте нож во время резки.

⚠ ПРЕДУПРЕЖДЕНИЕ. Не наносите смазочный материал во время работы кустореза.

СМАЗКА РЕДУКТОРА

Для максимальной эффективности и продления срока службы смазывайте редуктор кустореза специальной смазкой (5–6 г в точке #1 и 10–12 г в точке #2) после каждых 25 часов эксплуатации.

ПРИМЕЧАНИЕ. При необходимости обратитесь к ближайшему дилеру ево.

Специальная смазка должна удовлетворять следующим требованиям.

1. Соответствие степени конусной пенетрации по стандарту DIN51818: NLGI-2.
2. Состав: полиуретановые загустители и синтетическое смазочное масло.
3. Отличный низкотемпературный запуск, EP, механическая резка, устойчивость к истиранию и свойства окислительной стабильности.
4. Диапазон рабочей температуры от -40 до 180 °C.

ТРАНСПОРТИРОВКА И ХРАНЕНИЕ

- Перед хранением или транспортировкой кустореза всегда устанавливайте щиток ножа. Будьте осторожны с острыми зубьями ножа.
- Перед помещением на хранение тщательно очистите кусторез.
- Храните кусторез в сухом, хорошо проветриваемом помещении, недоступном для детей.

- Храните вдали от источников коррозии, таких как садовые удобрения и техническая соль.

⚠ ПРЕДУПРЕЖДЕНИЕ. Ножи очень острые. При работе с узлом ножа надевайте нескользящие, сверхпрочные защитные перчатки. Не помещайте руки или пальцы между ножами и в любое другое положение, где они могут быть защемлены или отрезаны. НИКОГДА не прикасайтесь к ножам и не ремонтируйте устройство, если в нем установлен аккумулятор.

Защита окружающей среды



Не выбрасывайте электрооборудование, зарядные устройства, батарейки и аккумуляторы вместе с бытовыми отходами! В соответствии с европейским законом 2012/19/EU электрическое и электронное оборудование, которое не подлежит дальнейшей эксплуатации, а также непригодные и использованные батарейки и аккумуляторы (согласно европейскому закону 2006/66/EC) должны быть утилизированы отдельно.

При утилизации электрических устройств на свалках в подземные воды могут просочиться опасные вещества, которые затем попадут в пищевую цепь и приведут к общему ухудшению здоровья и благополучия.

УСТРАНЕНИЕ НЕИСПРАВНОСТЕЙ

ПРОБЛЕМА	ПРИЧИНА	РЕШЕНИЕ
Кусторез не работает	<ul style="list-style-type: none"> ■ Аккумулятор не установлен в кусторез. 	<ul style="list-style-type: none"> ■ Установите аккумулятор в кусторез.
	<ul style="list-style-type: none"> ■ Нет электрического контакта между кусторезом и аккумулятором. 	<ul style="list-style-type: none"> ■ Извлеките аккумулятор, проверьте контакты и установите его снова.
	<ul style="list-style-type: none"> ■ Аккумулятор разряжен. 	<ul style="list-style-type: none"> ■ Зарядите аккумулятор.
	<ul style="list-style-type: none"> ■ Аккумулятор перегрелся. 	<ul style="list-style-type: none"> ■ Извлеките аккумулятор из устройства и дайте ему остыть, пока температура не упадет ниже 67 °С.
	<ul style="list-style-type: none"> ■ Кусторез перегрелся. 	<ul style="list-style-type: none"> ■ Отпустите оба рычага переключения, дайте кусторезу остыть, пока температура не упадет ниже 77 °С.
	<ul style="list-style-type: none"> ■ Два рычага переключения не зажаты одновременно. 	<ul style="list-style-type: none"> ■ Одновременно нажмите два рычага на передней и задней рукоятке и удерживайте их в этом положении.
	<ul style="list-style-type: none"> ■ Нож заклинило. 	<ul style="list-style-type: none"> ■ Извлеките аккумулятор из устройства, удалите застрявшие материалы, затем установите аккумулятор на место и снова запустите устройство.
Сильная вибрация или шум	<ul style="list-style-type: none"> ■ Сухие или ржавые ножи. 	<ul style="list-style-type: none"> ■ Смажьте ножи, следуя инструкциям в разделе «СМАЗКА НОЖА» данного руководства.
	<ul style="list-style-type: none"> ■ Нож или его основание погнуты. 	<ul style="list-style-type: none"> ■ Замените нож или его основание. Обратитесь в сервисный центр EGO для замены ножа или его основания
	<ul style="list-style-type: none"> ■ Согнутый или поврежденный зубец на ноже. 	<ul style="list-style-type: none"> ■ Замените нож. Обратитесь в сервисный центр EGO для замены ножа
	<ul style="list-style-type: none"> ■ Открутите болты ножа. 	<ul style="list-style-type: none"> ■ Закрутите болты ножа. При помощи гаечного ключа закрутите болт по часовой стрелке, чтобы затянуть его.

ГАРАНТИЯ

ГАРАНТИЙНАЯ ПОЛИТИКА EGO

Посетите веб-сайт egopowerplus.com, чтобы ознакомиться со всеми условиями и сроками гарантийной политики EGO.

PRZECZYTAJ WSZYSTKIE INSTRUKCJE!



**PRZECZYTAJ ZE ZROZUMIENIEM
INSTRUKCJE OBSŁUGI**

⚠ Ryzyko szczałkowe! Osoby z urządzeniami elektronicznymi, takimi jak rozruszniki serca, powinny przed użyciem produktu skonsultować się ze swoim(i) lekarzem/-ami. Używanie urządzeń elektrycznych blisko rozrusznika serca może spowodować zakłócenia lub uszkodzić rozrusznik.

⚠ OSTRZEŻENIE: Aby zagwarantować bezpieczeństwo i niezawodność, wszystkie naprawy i wymiany części powinny być wykonywane przez wykwalifikowanych techników serwisu.

SYMBOLY BEZPIECZEŃSTWA

Celem symboli bezpieczeństwa jest zwrócenie uwagi użytkownika na możliwe zagrożenia. Symbole bezpieczeństwa i objaśnienia do nich zasługują na to, by je uważnie przestudiować i zrozumieć. Symbole bezpieczeństwa nie eliminują same z siebie jakichkolwiek zagrożeń.

Podawane w nich instrukcje i ostrzeżenia nie zastępują odpowiednich środków zapobiegania wypadkom.

OSTRZEŻENIE: Przed użyciem narzędzia prosimy przeczytać i zrozumieć wszystkie instrukcje dotyczące bezpieczeństwa podane w podręczniku użytkownika, łącznie z wszystkimi symbolami ostrzegawczymi takimi jak „**NIEBEZPIECZEŃSTWO**”, „**OSTRZEŻENIE**” i „**UWAGA**”. Niestosowanie się do wszystkich podanych niżej instrukcji może doprowadzić do porażenia prądem, pożaru i/lub poważnych obrażeń.

ZNACZENIE SYMBOLI

SYMBOL OSTRZEGAWCZY: Oznacza **NIEBEZPIECZEŃSTWO**, **OSTRZEŻENIE** lub **PRZESTROGĘ**. Może być używany razem z innymi symbolami lub piktogramami.

⚠ OSTRZEŻENIE: Praca elektronarzędziami może spowodować wyrzucenie ciał obcych w oczy użytkownika, co może doprowadzić do poważnych urazów oczu. Przed rozpoczęciem pracy elektronarzędziem należy zawsze założyć gogle ochronne lub okulary z osłonami bocznymi, a w stosownych przypadkach także pełną osłonę na twarz. Zalecamy nakładanie na zwykłe okulary maski zabezpieczającej o szerokim polu widzenia lub stosowanie standardowych okularów zabezpieczających z osłonami bocznymi.

INSTRUKCJE DOTYCZĄCE BEZPIECZEŃSTWA

Na tej stronie pokazano i opisano symbole bezpieczeństwa, które mogą występować na produkcie. Przed podjęciem próby złożenia i użycia urządzenia należy przeczytać i zrozumieć wszystkie instrukcje dotyczące maszyny oraz zastosować się do nich.

	Ostrzeżenie dotyczące bezpieczeństwa	Wskazuje na potencjalne ryzyko urazów ciała.
	Przeczytaj instrukcję operatora	Aby ograniczyć ryzyko urazów, użytkownik musi przeczytać instrukcję operatora.
	Chroń przed deszczem	OSTRZEŻENIE: Nie używać w deszczu i nie zostawiać na dworze podczas deszczu.
	Długość ostrza	Długość ostrza
	Grubość cięcia	Maks. szerokość cięcia ostrzem
V	Wolt	Napięcie
A	Ampery	Prąd
Hz	Herc	Częstotliwość (cykli na sekundę)
W	Wat	Moc
min	Minuty	Czas
	Prąd zmienny	Rodzaj prądu
	Prąd stały	Rodzaj lub charakterystyka prądu
n_0	Prędkość bez obciążenia	Prędkość obrotowa bez obciążenia
... /min	Na minutę	Obroty na minutę
SPM	Obroty na minutę	Prędkość skoku, bez obciążenia

PL

OGÓLNE OSTRZEŻENIE DOTYCZĄCE NARZĘDZI ELEKTRYCZNYCH

⚠ OSTRZEŻENIE: Prosimy przeczytać wszystkie ostrzeżenia, zalecenia bezpieczeństwa i instrukcje.

Niestosowanie się do ostrzeżeń i instrukcji może doprowadzić do porażenia prądem, pożaru i/lub poważnych obrażeń.

Prosimy zachować na przyszłość wszystkie ostrzeżenia i instrukcje.

Termin „elektronarzędzie” występujący w ostrzeżeniach dotyczy narzędzia elektrycznego o zasilaniu sieciowym (przewodowego) lub akumulatorowym (beprzewodowego).

BEZPIECZEŃSTWO W MIEJSCU PRACY

- Należy dbać o czystość i dobre oświetlenie w miejscu pracy. Bałagan i złe oświetlenie sprzyjają wypadkom.
- Nie należy używać elektronarzędzi w miejscach zagrożonych wybuchem, np. w obecności łatwopalnych cieczy, gazów lub pyłu. Elektronarzędzia wytwarzają iskry, które mogą zapalić opary lub pył.
- W czasie pracy elektronarzędzie należy trzymać z dala od dzieci i osób postronnych. Chwila nieuwagi może spowodować utratę kontroli nad urządzeniem.

BEZPIECZEŃSTWO ELEKTRYCZNE

- Wtyczki elektronarzędzi muszą pasować do gniazdek. Nigdy w jakikolwiek sposób nie wolno przerabiać wtyczki. Do elektronarzędzi wymagających uziemienia nie należy używać przejściówek. Oryginalne wtyczki i pasujące do nich gniazdzka zmniejszają ryzyko porażenia prądem.
- Należy unikać dotykania ciała powierzchni uziemionych, takich jak np. rury, kaloryfery, kuchenki i lodówki. Uziemienie ciała zwiększa ryzyko porażenia prądem.
- Elektronarzędzia należy chronić przed deszczem i wilgocią. Woda dostająca się do wnętrza elektronarzędzia zwiększa ryzyko porażenia prądem.
- Nie należy nadwyreżać przewodu. Nigdy nie używać przewodu do noszenia lub ciągnięcia elektronarzędzia; nie chwycić za przewód, aby wyjąć wtyczkę z kontaktu. Przewód należy chronić przed gorącym, ropą, ostrymi krawędziami i poruszającymi się częściami. Zapłatanie lub uszkodzone przewody zwiększają ryzyko porażenia prądem.
- Podczas używania elektronarzędzia na dworze należy stosować przedłużacz nadający się do używania na dworze. Używanie przewodu przeznaczonego do stosowania na dworze zmniejsza ryzyko porażenia prądem.
- Jeżeli użycie elektronarzędzia w miejscu o dużej wilgotności jest nieuniknione, należy stosować zasilanie zabezpieczone wyłącznikiem różnicowoprądowym. Używanie wyłącznika różnicowoprądowego zmniejsza ryzyko porażenia prądem.

BEZPIECZEŃSTWO OSOBISTE

- Podczas pracy narzędziem należy zachować czujność, patrzeć, co się robi i kierować się zdrowym rozsądkiem. Nie należy używać elektronarzędzia, gdy użytkownik jest zmęczony, albo pod wpływem narkotyków, alkoholu lub leków. Chwila nieuwagi w czasie posługiwania się narzędziami elektrycznymi może spowodować poważne obrażenia.
- Należy używać środków ochrony indywidualnej. Należy zawsze nosić okulary ochronne. Stosowanie w odpowiednich warunkach sprzętu ochronnego takiego jak np. maska przeciwpyłowa, obuwie ochronne z podeszwami antypoślizgowymi, kask lub ochronniki słuchu zmniejszy ewentualne obrażenia.
- Nie wolno dopuszczać do przypadkowego włączenia. Należy pilnować, aby przed podłączeniem narzędzia do zasilania i/lub baterii akumulatorowej oraz przed podniesieniem i przenoszeniem przełącznik był ustawiony w pozycji „wylądzone”. Trzymanie palca na przełączniku w czasie przenoszenia narzędzi elektrycznych lub podłączanie ich do zasilania, gdy przełącznik jest ustawiony w pozycji „włączone” może doprowadzić do wypadku.
- Przed włączeniem elektronarzędzia należy usunąć wszystkie klucze regulacyjne i inne narzędzia. Klucz zaczeplony o obracającą się część narzędzia może spowodować obrażenia.
- Nie należy sięgać za daleko. Należy zawsze dbać o utrzymanie równowagi i pewne podparcie nóg. W nieprzewidzianych sytuacjach zapewni to lepszą kontrolę nad narzędziem.
- Należy nosić odpowiednią odzież. Nie należy nosić luźnych ubrań ani biżuterii. Włosy, odzież i rękawice należy trzymać w bezpiecznej odległości od poruszających się części. Luźne ubrania, biżuteria lub długie włosy mogą zaczeplić się o poruszające się części.
- Jeżeli urządzenie jest wyposażone w przystawkę do odsysania i zbierania pyłu, należy pilnować, aby była ona podłączona i właściwie stosowana. Używanie urządzeń służących do pochłaniania pyłu może zmniejszyć zagrożenia związane z pyłem.

UŻYWANIE I KONSERWOWANIE ELEKTRONARZĘDZI

- Elektronarzędzia nie należy forsować. Należy używać narzędzia dostosowanego do wykonywanej pracy. Odpowiednie narzędzie elektryczne wykona pracę lepiej i bezpieczniej, gdy pozwoli mu się pracować z prędkością/obrotami do jakich zostało zaprojektowane.

- **Nie należy używać elektronarzędzia, jeżeli przełącznik zasilania nie włącza go lub nie wyłącza.** Narzędzie, którego nie da się kontrolować przełącznikiem, jest potencjalnie niebezpieczne i wymaga naprawy.
- **Przed jakąkolwiek regulacją, wymianą akcesoriów lub schowaniem elektronarzędzia należy wyjąć wtyczkę z gniazdka i/lub odłączyć od narzędzia akumulator.** Tego typu zapobiegawcze środki ostrożności zmniejszają ryzyko przypadkowego włączenia się narzędzia.
- **Nie używane elektronarzędzia należy przechowywać w miejscu niedostępnym dla dzieci. Osobom, które nie zapoznały się z narzędziem lub jego instrukcją, nie należy pozwalać go obsługiwać.** W rękach niedoświadczonych użytkowników narzędzia elektryczne mogą stanowić zagrożenie.
- **Elektronarzędzia należy utrzymywać w dobrym stanie. Należy kontrolować, czy części ruchome nie są odchylone od osi, nie zacinają się i nie są pęknięte lub uszkodzone w inny sposób, który mógłby wpłynąć na działanie narzędzia. W razie uszkodzenia, przed użyciem należy oddać narzędzie do naprawy.** Wiele wypadków wynika ze złej konserwacji narzędzi.
- **Należy dbać o czystość i naostrzenie narzędzi tnących.** Odpowiednio utrzymywane narzędzia z ostrymi krawędziami tnącymi są mniej narażone na zakleszczanie się i łatwiej jest je kontrolować.
- **Elektronarzędzi, akcesoriów, wiertel, bitów, itp. należy używać zgodnie z niniejszą instrukcją, z uwzględnieniem warunków i rodzaju wykonywanej pracy.** Korzystanie z narzędzi niezgodnie z przeznaczeniem może prowadzić do niebezpiecznych sytuacji.

UŻYWANIE I KONSERWOWANIE NARZĘDZI AKUMULATOROWYCH

- **Do ładowania należy używać wyłącznie ładowarki wskazanej przez producenta.** Użycie ładowarki pochodzącej od jednego akumulatora do ładowania innego akumulatora grozi pożarem.
- **Elektronarzędzi należy używać wyłącznie z dedykowanymi do nich akumulatorami.** Użycie jakichkolwiek innych akumulatorów grozi obrażeniami i pożarem.
- **Jeżeli akumulator nie jest używany, należy go przechowywać z dala od innych przedmiotów metalowych, np. spinaczy, monet, kluczy, gwoździ, śrub i innych drobnych przedmiotów metalowych, które mogłyby spowodować zwarcie wyprowadzeń akumulatora.** Zwarcie wyprowadzeń akumulatora może doprowadzić do oparzenia lub pożaru.
- **W niesprzyjających warunkach może dojść do wycieku cieczy z akumulatora. Należy wtedy unikać wszelkiego kontaktu z tą cieczą. W razie przypadkowego kontaktu ze skórą, zabrudzone miejsce należy obficie przemyć wodą. Jeżeli płyn dostanie się do oczu, należy dodatkowo zasięgnąć porady lekarza.** Płyn wyciekający z akumulatora może powodować podrażnienie lub oparzenia.

SERWISOWANIE

- **Serwisowanie urządzenia należy powierzyć wykwalifikowanemu technikowi, a do naprawy używać wyłącznie części zamiennych identycznych z oryginalnymi.** Zapewni to bezpieczeństwo eksploatacji narzędzia elektrycznego.

OSTRZEŻENIA DOTYCZĄCE NOŻYC DO ŻYWOPLOTU

- **Wszystkie części ciała należy trzymać z dala od ostrza tnącego. Gdy poruszają się noże ostrza, nie należy usuwać ani przytrzymywać przycinanych gałęzi. Zanim zaczniesz się usuwać zakleszczone gałęzie należy upewnić się, że narzędzie jest wyłączone.** Chwila nieuwagi w czasie posługiwania się nożycami do żywoplotu może spowodować poważne obrażenia.
- **Nożyce do żywoplotów należy nosić za uchwyt. Ostrze tnące powinno by zatrzymane.** Na czas transportowania lub przechowywania nożyc do żywoplotu należy zawsze zakładać na ostrze osłonę. Właściwe obchodzenie się z nożycami do żywoplotu zmniejsza ryzyko obrażeń spowodowanych ostrzem tnącym.
- **Elektronarzędzie należy trzymać za izolowane uchwyty, ponieważ ostrze tnące może natrafić na ukryte przewody.** Dotknięcie ostrzem tnącym przewodu pod napięciem może spowodować, że przez niez izolowane elementy metalowe narzędzia popłynie prąd, co grozi operatorowi porażeniem.
- **Przewód należy trzymać z dala od strefy cięcia.** W czasie używania narzędzia przewód może się schować w krzakach i może zostać przypadkowo przecięty ostrzem.
- **Przed przystąpieniem do pracy należy sprawdzić żywoplot pod kątem przeszkód takich jak np. siatka ogrodzeniowa.**
- **Nożyc do żywoplotu należy używać tylko z właściwie zainstalowaną osłoną.** Używanie nożyc do żywoplotu bez odpowiedniej osłony może doprowadzić do poważnych urazów ciała!
- **Podczas pracy nożyce do żywoplotu należy trzymać obiema rękoma. Używanie tylko jednej ręki mogłoby doprowadzić do utraty kontroli i spowodować poważne urazy ciała.**

⚠ OSTRZEŻENIE: Przed przystąpieniem do pracy należy sprawdzić żywoplot pod kątem przeszkód takich jak np. siatka ogrodzeniowa. Nożyc do żywoplotu należy używać tylko z właściwie zainstalowaną osłoną. Używanie nożyc do żywoplotu bez odpowiedniej osłony może doprowadzić do poważnych urazów ciała!

WAŻNE INSTRUKCJE BEZPIECZEŃSTWA

- Akumulatorowych nożyc do żywoplotu nie należy używać w czasie deszczu.
- Akumulatora nie należy ładować na deszczu i miejscach wilgotnych.
- W urządzeniu należy używać wyłącznie akumulatorów i ładowarek podanych na rys. A.
- Podczas podnoszenia lub trzymania nożyc do żywoplotu nie należy chwycić za nieosłonięte noże lub krąwędzie tnące.
- Narzędzia nie należy używać na drabinie, dachu, drzewie lub na innych niestabilnych podłożach. W nieprzewidywanych sytuacjach stabilne podparcie nóg i solidna powierzchnia zapewniają lepszą kontrolę nad nożycami.
- Nigdy nie należy pozwalać dzieciom używać nożyc do żywoplotu.
- Nigdy nie należy demontować elementów zabezpieczających ani manipulować przy nich. Należy regularnie kontrolować ich poprawne działanie. Nigdy nie należy robić niczego, co zakłócałoby zamierzoną funkcję mechanizmów zabezpieczających lub ograniczałoby zakres zapewnianej przez nie ochrony.
- Nożyc do żywoplotu nigdy nie należy używać bez założenia na miejsce odpowiednich osłon, pokryw i innych zabezpieczeń.
- Przed dalszym używaniem nożyc należy każdorazowo skontrolować uszkodzone części. Uszkodzoną osłonę lub inną część należy dokładnie sprawdzić w celu ustalenia czy będą one działały właściwie i czy spełnią swoje zadanie. Należy kontrolować, czy części ruchome są dobrze do siebie dopasowane, czy swobodnie się poruszają, czy nie są pęknięte lub uszkodzone i czy są właściwie zamontowane. Należy też kontrolować wszystkie inne czynniki, które mogłyby wpływać na ich działanie. O ile w instrukcji nie zastrzeżono inaczej, uszkodzona osłona lub inna część musi zostać odpowiednio naprawiona lub wymieniona przez autoryzowane centrum serwisowe.

- W regularnych odstępach czasu należy kontrolować właściwe dokręcenie śrub mocujących ostrze i silnik. Należy też wzrokowo skontrolować ostrze pod kątem ewentualnych uszkodzeń (np. skrzywienie, pęknięcie i zużycie). Ostrze należy wymieniać tylko na ostrze EGO™.
- Jeżeli ostrze jest skrzywione lub pęknięte, należy je wymienić. Nierówno wyważone ostrze powoduje drgania, które mogą uszkodzić silnik lub doprowadzić do urazów ciała.
- Jeśli urządzenie zaczyna nienormalnie wibrować, należy wyłączyć silnik i natychmiast sprawdzić, co jest przyczyną. Wibracje są na ogół sygnałem ostrzegającym o problemach.
- Nożyc należy używać do cięcia gałązek o grubości do 33 mm.
- Strzyżenie należy wykonywać tylko przy świetle dziennym lub przy dobrym oświetleniu sztucznym.
- Przed serwisowaniem, konserwacją, czyszczeniem lub usuwaniem materiału zakleszczonego w nożycach należy wyjąć lub odłączyć akumulator.
- Nie należy czyścić urządzenia wężem; należy unikać zachlapywania wodą silnika i połączeń elektrycznych.
- Podczas serwisowania należy używać wyłącznie podanych w instrukcji części zamiennych identycznych z oryginalnymi. Używanie części zamiennych, które nie spełniają specyfikacji wyposażenia oryginalnego może doprowadzić do nieprawidłowego działania i negatywnie wpłynąć na bezpieczeństwo.
- Należy przestrzegać instrukcji dotyczących smarowania i wymiany akcesoriów.
- Należy dbać o to, aby uchwyty były suche, czyste i niezaplamione olejem lub smarem.
- Prosimy zachować instrukcję. Zachęcamy do częstego korzystania z niej. Instrukcja może też posłużyć do przeszkolenia innych osób, które będą używały narzędzia. Jeśli narzędzie zostanie komuś pożyczone, osobie tej należy również udostępnić niniejszą instrukcję, aby zapobiec niewłaściwemu użytkowaniu i możliwym urazom.

INSTRUKCJI NIE NALEŻY WYRZUCAĆ!

SPECYFIKACJA

Numer modelu		HT5100E	HT6500E
Napięcie		56 V ---	56 V ---
Prędkość bez obciążenia	Wysoka	1600 /min	1600 /min
	Niska	1400 /min	1400 /min
Zalecana temperatura użytkowania:	0°C-40°C		
Zalecana temperatura przechowywania:	-20°C-70°C		
Długość ostrza		51 cm	65 cm
Grubość cięcia		33 mm	33 mm
Waga (bez akumulatora)		3,6 kg	3,8 kg
Zmierzony poziom mocy akustycznej L_{WA}		90 dB(A) K = 1,55 dB(A)	91,45 dB(A) K = 1,08 dB(A)
Poziom ciśnienia akustycznego w pozycji operatora L_{PA} K = 2,5 dB(A)		81,5 dB(A)	81,4 dB(A)
Gwarantowany poziom mocy akustycznej L_{WA} (zmierzony zgodnie z dyrektywą 2000/14/WE)		92 dB(A)	93 dB(A)
Drgania a_h K = 1,5 m/s ²	Uchwyt przedni	3,369 m/s ²	5,313 m/s ²
	Uchwyt tylny	1,876 m/s ²	3,115 m/s ²

- Deklarowana całkowita wartość drgań została zmierzona zgodnie ze standardowymi metodami testowania i może służyć do porównywania różnych narzędzi.
- Deklarowana całkowita wartość drgań może również służyć do wstępnej oceny narażenia na drgania.

UWAGA: W zależności od sposobu eksploatacji, emisja wibracji podczas faktycznego użytkowania elektronarzędzia może się różnić od wartości deklarowanej. Aby chronić operatora, w rzeczywistych warunkach użytkowania użytkownik powinien nosić rękawice i nauszники ochronne.

LISTA ELEMENTÓW W OPAKOWANIU

NAZWA CZĘŚCI	ILOŚĆ
Nożyce do żywopłotu	1
Oslona	1
Instrukcja operatora	1

OPIS

ZAPOZNANIE SIĘ Z NOŻYCAMI DO ŻYWOPŁOTU (Rys. A)

1. Przycisk wyjmowania akumulatora
2. Uchwyt tylny
3. Spust odblokowujący
4. Tylna dźwignia przełączająca
5. Pokrętko regulacji prędkości
6. Uchwyt przedni
7. Przednia dźwignia przełączająca
8. Oslona ręki
9. Oslona ostrza
10. Ostrze
11. Oslona końcówki
12. Zatrząsk
13. Styki elektryczne
14. Szczelina mocująca
15. Mechanizm odłączania
16. Blokada uchwytu
17. Obudowa silnika
18. Oslona

⚠ OSTRZEŻENIE: Wyrób został dostarczony w postaci całkowicie złożonej. W czasie użytkowania nigdy nie wolno zdejmować osłony ręki. W przypadku uszkodzenia należy ją natychmiast oddać do wymiany wykwalifikowanemu technikowi serwisu.

⚠ OSTRZEŻENIE: Bezpieczne używanie tego produktu wymaga zrozumienia informacji podanych na narzędziu oraz w niniejszej instrukcji operatora. Konieczna jest także znajomość realizowanego projektu. Przed użyciem produktu należy zapoznać się z wszystkimi jego funkcjami oraz z zasadami dotyczącymi bezpieczeństwa.

UŻYTKOWANIE

⚠ OSTRZEŻENIE: Nie wolno dopuścić do tego, aby znajomość narzędzia doprowadziła do nieuwagi. Należy pamiętać, że do spowodowania poważnych obrażeń wystarczy zaledwie chwila nieuwagi.

⚠ OSTRZEŻENIE: Należy zawsze nosić środki ochrony oczu z osłonami bocznymi, a także środki ochrony uszu. Nieprzestrzeganie tego zalecenia może doprowadzić do poważnych obrażeń oczu odłamkiem lub skrawkiem materiału wyrzuconym przez pracujące narzędzie, a także grozi innymi możliwymi urazami.

⚠ OSTRZEŻENIE: Aby zapobiec przypadkowemu włączeniu, które mogłoby spowodować ciężkie urazy, z narzędzia należy zawsze wyjmować akumulator na czas mocowania części, regulacji, czyszczenia lub gdy narzędzie nie jest używane.

⚠ OSTRZEŻENIE: Nie należy używać końcówek lub akcesoriów innych niż zalecane przez EGO™. Używanie końcówek lub akcesoriów innych niż zalecane może doprowadzić do poważnych obrażeń.

Przed każdym użyciem należy skontrolować cały produkt pod kątem ewentualnych uszkodzeń, brakujących lub poluzowanych części takich jak śruby, nakrętki, kołpaki, korki itp. Wszystkie elementy mocujące i korki należy mocno dokręcić. Produktu nie należy włączać do czasu aż wszystkie brakujące lub uszkodzone części nie zostaną wymienione.

ZASTOSOWANIE

Narzędzia można używać do przycinania żywopłotów, krzewów i krzaków o średnicy gałęzi poniżej 033 mm.

UWAGA: Narzędzia należy używać tylko do celów zgodnych z przeznaczeniem. Wszelkie inne zastosowania uznaje się za niezgodne z przeznaczeniem.

INSTALOWANIE/WYJMOWANIE AKUMULATORA

Naładować przed pierwszym użyciem.

Instalowanie (Rys. B)

Należy wyrównać żeberka akumulatora względem szczelin mocujących i wsunąć akumulator do ładowarki aż da się słyszeć kliknięcie.

Wyjmowanie (Rys. C)

Należy wcisnąć przycisk wyjmowania akumulatora i wysunąć akumulator.

⚠ OSTRZEŻENIE: Gdy użytkownik naciska przycisk wyjmowania akumulatora, należy mieć zawsze świadomość tego, gdzie znajdują się stopy użytkownika, dzieci i zwierzęta. Upuszczenie akumulatora może doprowadzić do poważnych urazów. NIGDY nie należy wyjmować akumulatora na znacznej wysokości.

WŁĄCZANIE/WYŁĄCZANIE NOŻYC DO ŻYWOPŁOTU

Przed przystąpieniem do pracy należy zdjąć osłonę ostrza i chwycić nożyce obydwiema rękoma, jedną ręką na uchwycie tylnym, a drugą na uchwycie przednim. Następnie należy sprawdzić stabilność podłoża. Użytkownik powinien stać wyprostowany w odpowiedniej odległości od przycinanego żywopłotu.

⚠ OSTRZEŻENIE: Nożyce do żywopłotu należy zawsze trzymać oburącz. Nigdy nie należy przytrzymywać krzewów jedną ręką, a drugą ręką manewrować nożycami. Niezastosowanie się do tego ostrzeżenia może doprowadzić do poważnych urazów.

Włączanie

Należy nacisnąć dłonią spust odblokowujący, a następnie przestawić tylną dźwignię przełączającą w górę. Aby włączyć narzędzie, należy trzymać tylną dźwignię przełączającą wciśniętą i dalej wciskać przednią dźwignię przełączającą.

Wyłączanie

Aby wyłączyć, wystarczy puścić którąkolwiek z dźwigni.

UWAGA: Aby włączyć nożyce do żywopłotu, obydwie dźwignie przełączające muszą być wciśnięte.

UŻYWANIE NOŻYC DO ŻYWOPŁOTU

⚠ OSTRZEŻENIE: Jeżeli OSTRZE zakleszczy się na jakimkolwiek przewodzie elektrycznym lub kablu, NIE WOLNO GO DOTYKAĆ! OSTRZE MOŻE BYĆ POD NAPIĘCIEM I MOŻE BYĆ BARDZO NIEBEZPIECZNE. Należy nadal trzymać nożyce do żywopłotu za izolowany uchwyt tylny lub odłożyć je w bezpieczny sposób. Następnie trzeba wyłączyć zasilanie przewodu/kabla. Dopiero potem można spróbować wypłatać ostrze z przewodu lub kabla. Niezastosowanie się do tego ostrzeżenia doprowadzi do poważnych urazów i grozi śmiercią.

⚠ OSTRZEŻENIE: Aby nie dopuścić do poważnych urazów ciała, ręce należy trzymać z daleka od ostrza. Gdy noże ostrza poruszają się, nie należy próbować usuwać ani przytrzymywać przycinanych gałęzi. Aby zebrać przycięte gałęzie, należy upewnić się, że noże ostrza całkowicie się zatrzymały i że akumulator został wyjęty z narzędzia. Podczas podnoszenia lub trzymania nożyc do żywoplotu nie należy chwycić za nieosłonięte noże lub krawędzie tnące.

⚠ OSTRZEŻENIE: Przed każdym użyciem narzędzia należy uprzętnąć teren pracy. Należy usunąć z niego wszystkie przedmioty takie jak przewody, oświetlenie, druty lub sznurki, które mogłyby się zaplątać w ostrze tnące i które stwarzałyby ryzyko poważnych urazów ciała.

⚠ OSTRZEŻENIE: Należy unikać jednoczesnego przycinania zbyt dużych ilości gałęzi lub strzyżenia bardzo gęstych i zbitych krzewów. Może to doprowadzić do zacięcia się noży i spowolnienia ich pracy, co zmniejszyłoby wydajność cięcia.

UWAGA: Młode pędy najlepiej jest przycinać szerokimi ruchami zagarniającymi je bezpośrednio do ostrza tnącego. W przypadku starszych, grubszych gałęzi dobrze jest wykonywać ruchy podobne do pilowania. Zaleca się, aby przed rozpoczęciem wyciąć wszystkie grube gałęzie piłą ręczną.

Strzyżenie z góry

Należy wykonywać szerokie, zagarniające ruchy. Najlepsze efekty daje lekkie nachylenie noży w dół w kierunku ruchu. Aby zwiększyć efektywność cięcia, można także używać sznurka jako prowadnicy pozwalającej wyrównać górną krawędź żywoplotu tak jak na Rys. D.

Strzyżenie po bokach

Podczas przycinania boków żywoplotu należy rozpoczynać od dołu i strzyc w górę tak jak na Rys. E1 i E2.

Radykalne przycinanie

Tylny uchwyt nożyc do żywoplotu można ustawić w pięciu pozycjach ($0^\circ \pm 45^\circ \pm 90^\circ$) – należy wysunąć zatrząsk (Rys. F1-F5). Jeśli konieczne jest radykalne przycięcie, w celu przeprowadzenia strzyżenia tylny uchwyt należy ustawić na $\pm 45^\circ$ (Rys. F2 i F4).

⚠ OSTRZEŻENIE: Podczas ustawiania uchwytu ostrze tnące nie może pracować.

UWAGA: Podczas pracy uchwyt powinien być zawsze skierowany do góry niezależnie od ustawienia nożyc.

Oslona końcówki

Oslona końcówki (Rys. G) służy do ochrony zewnętrznego końca ostrza.

Oslona ostrza

Zewnętrzna część ostrzy ma kształt osłony ostrza (Rys. H).

H-1	Ostrze
H-2	Oslona ostrza

⚠ OSTRZEŻENIE: Należy zawsze skontrolować, czy osłona ostrza nie jest uszkodzona lub odkształcona. Jeżeli osłona ostrza jest skrzywiona lub uszkodzona, należy ją wymienić.

KONSERWACJA

⚠ OSTRZEŻENIE: Podczas serwisowania należy używać wyłącznie części zamiennych identycznych z oryginalnymi. Używanie jakichkolwiek innych części stwarza ryzyko i może spowodować usterkę produktu. Aby zagwarantować bezpieczeństwo i niezawodność, wszystkie naprawy powinny być wykonywane przez wykwalifikowanych techników serwisu.

⚠ OSTRZEŻENIE: Aby uniknąć poważnych obrażeń ciała, na czas czyszczenia lub wykonywania prac konserwacyjnych należy zawsze wyjmować z urządzenia akumulator.

CZYSZCZENIE

- Do usuwania zanieczyszczeń z wlotów powietrza i z ostrza tnącego należy używać miękkiej szczoteczki.
- W celu usunięcia smoly i innych lepjących się osadów należy spryskać noże rozpuszczalnikiem do żywicy. Aby równomiernie rozprowadzić rozpuszczalnik, wystarczy na chwilę włączyć silnik.
- Przetrzeć powierzchnię suchą ściereczką.

⚠ OSTRZEŻENIE: Do czyszczenia nożyc nigdy nie należy używać wody. Podczas czyszczenia części plastikowych należy unikać używania rozpuszczalników. Pod wpływem działania różnego rodzaju dostępnych w handlu rozpuszczalników większość tworzyw sztucznych ulega uszkodzeniu. Do usuwania zabrudzeń, kurzu, oleju, smaru itp. należy używać czystych ściereczek.

OSTRZEŻENIE OSTRZA TNĄCEGO

1. Wyjąć akumulator z nożyc do żywoplotu.
2. Zaciśnąć ostrze w imadle i przeszlifować pilnikiem odsłonięte powierzchnie tnące wszystkich zębów ostrza. Należy zeszlifowywać możliwie jak najmniejszą ilość materiału.

- Wyjąć nożyce z imadła i wyregulować nienaostrome części ostrza tak, aby były dostępne. Powtarzać powyższe kroki aż do naostwienia wszystkich zębów ostrza.

UWAGA: Nie należy używać nożyc z tępyimi lub uszkodzonymi nożami. Mogłoby to doprowadzić do przeciążenia narzędzia i spowodować, że efekty strzyżenia byłyby niezadowalające.

SMAROWANIE OSTRZA

Aby uzyskać optymalne działanie ostrza i przedłużyć jego żywotność, ostrze nożyc do żywopłotu należy smarować lekkim olejem maszynowym każdorazowo przed i po użyciu.

Wyjąć akumulator i położyć nożyce na płaskiej powierzchni. Nałożyć olej wzdłuż krawędzi górnego ostrza.

UWAGA: W przypadku użytkowania przez dłuższy czas, ostrze należy smarować olejem również w przerwach w czasie pracy.

⚠ OSTRZEŻENIE: Nożyc do żywopłotu nie należy smarować w czasie, kiedy pracują.

SMAROWANIE PRZEKŁADNI

Aby narzędzie działało optymalnie i przez długi czas, po każdym 25 godzinach pracy, przekładnię nożyc do żywopłotu należy nasmarować specjalnym smarem (každorazowo 5-6 g w #1 i 10-12 g w #2).

UWAGA: W celu uzyskania pomocy należy skontaktować się z lokalnym dystrybutorem marki ego.

Smar ten powinien spełniać następujące wymagania:

- Należać do klasy DIN51818: stopień NLGI-2 w badaniu penetracji sondą stożkową.
- Zawierać zagęszczacze polimocznikowe + syntetyczny olej smarowy.
- Posiadać znakomite właściwości w warunkach uruchamiania na zimno i podczas zwiększonego nacisku (EP), doskonałą odporność na ścinanie mechaniczne i ścieranie oraz własności stabilizujące utlenianie.
- Temperatura pracy musi zawierać przedział od -40 do 180°C.

TRANSPORT I PRZECHOWYWANIE

- Przed schowaniem lub transportowaniem nożyc do żywopłotu należy zawsze założyć na ostrze osłonę ostrza. Aby nie skaleczyć się zębami ostrza, prosimy zachować ostrożność.

- Przed schowaniem nożyce do żywopłotu należy dokładnie wyczyścić.
- Nożyce do żywopłotu należy przechowywać w suchym pomieszczeniu niedostępnym dla dzieci.
- Narzędzie należy chronić przed żrącymi substancjami takimi jak chemia ogrodnicza i sól do usuwania lodu.

⚠ OSTRZEŻENIE: Noże są ostre. Prace przy ostrzu z nożami, należy wykonywać w antypoślizgowych solidnych rękawicach ochronnych. Nie należy wkładać dłoni lub palców między noże lub w jakiegokolwiek inne miejsce, w którym mogłyby zostać przytrażnięte lub skaleczone. NIGDY nie należy dotykać noży lub wykonywać czynności serwisowych, gdy w urządzeniu jest zainstalowany akumulator.

Ochrona środowiska



Urządzeń elektrycznych, ładowarki do akumulatorów oraz akumulatorów/baterii akumulatorowych nie należy wyrzucać do zwykłych zmieszanych śmieci domowych!

Zgodnie z dyrektywami Wspólnoty Europejskiej, odpowiednio nr 2012/19/WE i 2006/66/WE, urządzenia elektryczne i elektroniczne nienadające się dłużej do użycia oraz uszkodzone lub zużyte akumulatory/baterie trzeba zbierać oddzielnie.

Wyrzucanie urządzeń elektrycznych na wysypisko grozi wyciekami niebezpiecznych substancji do wód gruntowych i przedostaniem się ich do łańcucha pokarmowego, ze szkodą dla zdrowia i jakości życia użytkownika.

ROZWIĄZYWANIE PROBLEMÓW

PROBLEM	PRZYCZYNA	ROZWIĄZANIE
Nożyce do żywopłotu nie działają	<ul style="list-style-type: none"> Do nożyc nie włożono akumulatora. 	<ul style="list-style-type: none"> Włożyć akumulator do nożyc do żywopłotu.
	<ul style="list-style-type: none"> Nożyce i akumulator nie kontaktują. 	<ul style="list-style-type: none"> Wyjąć akumulator, sprawdzić styki i założyć akumulator z powrotem.
	<ul style="list-style-type: none"> Akumulator jest rozładowany. 	<ul style="list-style-type: none"> Naładować akumulator.
	<ul style="list-style-type: none"> Akumulator jest zbyt gorący. 	<ul style="list-style-type: none"> Wyjąć akumulator z narzędzia i pozwolić mu ostygnąć do temperatury poniżej 67°C.
	<ul style="list-style-type: none"> Nożyce do żywopłotu są zbyt gorące. 	<ul style="list-style-type: none"> Puścić obie dźwignie przełączające, pozwolić nożycom ostygnąć do temperatury poniżej 77°C.
	<ul style="list-style-type: none"> Dźwignie przełączające (dwie) nie zostały wciśnięte jednocześnie. 	<ul style="list-style-type: none"> Jednocześnie wcisnąć dźwignie przełączające na przednim i tylnym uchwycie.
	<ul style="list-style-type: none"> Ostrze zablokowało się. 	<ul style="list-style-type: none"> Wyjąć akumulator z narzędzia, ostrożnie usunąć to, co blokuje narzędzie i ponownie włożyć akumulator do narzędzia.
Nadmierne drgania lub hałas	<ul style="list-style-type: none"> Sucho lub skorodowane noże. 	<ul style="list-style-type: none"> Nasmarować noże zgodnie z zaleceniami podanymi w części „SMAROWANIE OSTRZA” niniejszej instrukcji.
	<ul style="list-style-type: none"> Wygięte noże lub wspornik noży. 	<ul style="list-style-type: none"> Wymienić ostrze lub wspornik na nowe. Skontaktować się z punktem serwisowy EGO w celu wymiany ostrza i wspornika.
	<ul style="list-style-type: none"> Wygięte lub uszkodzone zęby. 	<ul style="list-style-type: none"> Wymienić ostrze na nowe. Skontaktować się z punktem serwisowy EGO w celu wymiany ostrza.
	<ul style="list-style-type: none"> Poluzowane śruby ostrza. 	<ul style="list-style-type: none"> Dokręcić śruby ostrza. Dokręcić śrubę kluczem, kręcić w prawo (zgodnie z kierunkiem ruchu wskazówek zegara).

GWARANCJA

POLITYKA GWARANCYJNA EGO

W celu zapoznania się z wszystkimi warunkami polityki gwarancyjnej EGO prosimy odwiedzić stronę egopowerplus.com.

PŘEČTĚTE SI VŠECHNY POKYNY!



PŘEČTĚTE SI A SEZNAMTE SE S NÁVODEM K OBSLUZE

⚠ Zbytkové riziko! Lidé s elektronickými přístroji, jako jsou např. kardiostimulátory, by se měli před použitím toho výrobku poradit se svým lékařem. Použití elektrického zařízení v těsné blízkosti kardiostimulátoru může způsobit narušení činnosti nebo poruchu kardiostimulátoru.

⚠ VAROVÁNÍ: Z důvodu bezpečnosti by měl všechny opravy a výměny provádět kvalifikovaný servisní technik.

BEZPEČNOSTNÍ SYMBOLY

Účelem bezpečnostních symbolů je upoutat vaši pozornost k případným nebezpečím. Bezpečnostní symboly a jejich vysvětlení vyžadují vaši zvýšenou pozornost a porozumění. Výstražné symboly samy o sobě nevylučují žádné nebezpečí.

Pokyny a varování nejsou náhradou vhodných opatření pro prevenci úrazů.

⚠ VAROVÁNÍ: Před použitím tohoto nástroje si přečtěte a seznamte se se všemi bezpečnostními pokyny v tomto návodu k obsluze včetně veškerých výstražných symbolů, jako např. „**NEBEZPEČÍ**“, „**VAROVÁNÍ**“ nebo „**UPOZORNĚNÍ**“. Nedodržení níže uvedených pokynů může mít za následek úraz elektrickým proudem, požár anebo vážná poranění osob.

VÝZNAM SYMBOLŮ

BEZPEČNOSTNÍ VÝSTRAŽNÉ SYMBOLY: Upozorňují na **NEBEZPEČÍ**, **VAROVÁNÍ**, nebo **UPOZORNĚNÍ**. Lze je používat ve spojení s jinými symboly nebo piktogramy.

⚠ VAROVÁNÍ: Při použití elektrického nářadí může dojít k vymrštění cizích těles do očí, což může způsobit jejich závažné poškození. Před použitím elektrického nářadí si vždy nasadte ochranné brýle, ochranné brýle s bočními kryty nebo v případě potřeby obličejový štít. Na brýle nebo standardní ochranné brýle s bočními kryty doporučujeme použít ochrannou masku.

BEZPEČNOSTNÍ POKYNY

Na této stránce jsou zobrazeny a popsány bezpečnostní symboly, které se mohou objevit na výrobku. Před montáží a provozem si přečtěte, seznamte se a dodržujte veškeré pokyny ke stroji.

	Bezpečnostní upozornění	Upozorňuje na možné riziko úrazu.
	Přečtěte si návod k obsluze	Z důvodu snížení rizika úrazu si musí uživatel přečíst návod k obsluze
	Nevystavujte ji dešti.	VAROVÁNÍ: Nepoužívejte ani nenechávejte venku v dešti.
	Délka lišty	Délka lišty
	Řezný výkon	Max. Řezný výkon lišty
V	Voltů	Napětí
A	Ampérů	Proud
Hz	Hertzů	Frekvence (počet cyklů za sekundu)
W	Wattů	Výkon
min	Minut	Doba
~	Střídavý proud	Druh proudu
≡	Stejnoseměrný proud	Druh nebo vlastnosti proudu
n_0	Rychlost při chodu naprázdno	Otáčky při chodu naprázdno
... /min	Za minutu	Otáčky za minutu
SPM	Kmitů za minutu	Počet kmitů při chodu naprázdno

OBECNÁ BEZPEČNOSTNÍ VAROVÁNÍ PRO PRÁCI S ELEKTRICKÝM NÁŘADÍM

⚠ VAROVÁNÍ: Přečtěte si všechna bezpečnostní varování a pokyny. Nedodržení varování a pokynů může mít za následek úraz elektrickým proudem, požár anebo vážný úraz.

Všechna varování a pokyny si uschovejte pro budoucí použití.

Termín „elektrické nářadí“ ve varováních odkazuje na vaše elektrické (s kabelem) nebo akumulátorové (bez kabelu) elektrické nářadí.

BEZPEČNOST NA PRACOVIŠTI

- **Udržujte své pracoviště čisté a zajistěte dostatečné osvětlení.** Zaneřáděné a tmavé prostory bývají častou příčinou úrazů.
- **Elektrické nástroje/přístroje neprovazujte ve výbušném prostředí, jako například s výskytem hořlavých kapalin, plynů nebo prachu.** Elektrické nástroje a přístroje totiž produkují jiskru, která může zapálit prach nebo výpary.
- **Při práci s elektrickým nářadím udržujte děti a ostatní osoby v bezpečné vzdálenosti.** Nesoustředěnost může způsobit ztrátu kontroly.

ELEKTRICKÁ BEZPEČNOST

- **Zástrčky elektrického nářadí musí odpovídat zásuvkám.** Zástrčku nikdy nijak neupravujte. S uzemněným elektrickým nářadím nepoužívejte žádné rozbočovací zásuvky. Neupravené zástrčky a shodné zásuvky snižují riziko úrazu elektrickým proudem.
- **Vyhýbejte se kontaktu s uzemněnými plochami, například trubkami, radiátory, sporáky a lednicemi.** Pokud jste uzemněni, hrozí vám vyšší riziko úrazu elektrickým proudem.
- **Elektrické nářadí chraňte před deštěm a vlhkem.** Voda vnikající do elektrického nářadí zvyšuje riziko úrazu elektrickým proudem.
- **Kabel nepoužívejte k jiným účelům. Nikdy nepoužívejte kabel k přenášení, tahání nebo odpojování elektrického nářadí z elektrické sítě. Kabely chraňte před horkem, olejem, ostrými hranami nebo pohyblivými díly.** Poškozené nebo spletené kabely zvyšují riziko úrazu elektrickým proudem.
- **Pokud používáte elektrické nářadí venku, použijte prodlužovací kabel vhodný pro venkovní použití.** Použití kabelu vhodného pro venkovní použití snižuje riziko úrazu elektrickým proudem.
- **Pokud musíte s elektrickým nářadím pracovat ve vlhkém prostředí, použijte napájení s ochranou proti zbytkovému proudu (RCD).** Použití RCD snižuje riziko úrazu elektrickým proudem.

BEZPEČNOST OSOB

- **Zůstaňte pozorní, sledujte, co děláte, a při práci s elektrickým nářadím buďte soudní.** Elektrické nářadí nepoužívejte, jste-li unavení, pod vlivem návykových látek, alkoholu nebo léků. Jediná chvilka nepozornosti při práci s elektrickým nářadím může mít za následek vážný úraz.

- **Používejte osobní ochranné pomůcky. Vždy používejte ochranu očí.** Ochranné pomůcky, jako například respirátor, protiskluzová bezpečnostní obuv, pevná přilba nebo chrániče sluchu používané ve vhodném prostředí sniží riziko úrazu.
- **Zabraňte neúmyslnému spuštění. Dbejte, aby byl zapojení do elektrické sítě anebo k akumulátoru, zdvihnutí nebo přenášení elektrického nářadí spínač v poloze vypnuto.** Přenášení elektrického nářadí s prstem na spínači, nebo zapojování elektrického nářadí, které má zapnutý spínač, může snadno způsobit nehodu či úraz.
- **Před zapnutím elektrického nářadí odstraňte stavěcí klíny nebo klíče.** Klíč nebo klín, který zůstane na rotující části elektrického zařízení, může způsobit úraz.
- **Nepřeceňujte své síly. Vždy udržujte pevný postoj a rovnováhu.** Umožní vám to lepší ovládnutí elektrického nářadí v nečekaných situacích.
- **Používejte vhodný oděv. Nenoste volný oděv ani šperky. Vlasy, oděv a rukavice chraňte před pohyblivými díly.** Volný oděv, šperky nebo dlouhé vlasy se mohou zachytit do pohyblivých se dílů.
- **Pokud jsou zařízení vybavena přípojkami pro zařízení k odsávání a sběr prachu, zajistěte, aby tato byla připojena a řádně používaná.** Použití zařízení k odsávání prachu může snížit rizika spojená s prachem.

CZ

POUŽITÍ A PÉČE O ELEKTRICKÉ NÁŘADÍ

- **Elektrické nářadí nepřetěžujte. K práci používejte vhodné elektrické nářadí.** Správné elektrické nářadí vykoná práci lépe a bezpečněji rychleji, pro niž je navrženo.
- **Nepoužívejte elektrické nářadí v případě, že vypínač nefunguje.** Jakékoliv elektrické nářadí, které nelze ovládat spínačem, je nebezpečné a musí se opravit.
- **Před prováděním úprav, výměnou příslušenství nebo uskladněním elektrického nářadí odpojte zástrčku od elektrické sítě anebo vyjměte akumulátor.** Tato preventivní opatření snižují riziko neúmyslného spuštění elektrického nářadí.
- **Nepoužívané elektrické nářadí uchovávejte mimo dosah dětí a nenechte s elektrickým nářadím pracovat osoby, které se neseznámily s elektrickým nářadím nebo těmito pokyny.** Elektrické nářadí se v rukou nekvifikovaných osob stává nebezpečným.
- **Údržba elektrického nářadí. Kontrolujte případnou nesouosost nebo ohyb pohyblivých se částí, narušení dílů a ostatní podmínky, které mohou ovlivnit provoz elektrického nářadí. V případě poškození nechejte elektrické nářadí před použitím opravit.** Řada nehod je způsobena nedostatečně udržovaným elektrickým nářadím.

- **Řezné nástroje udržujte ostré a čisté.** Řádně udržované řezné nástroje s ostrými řeznými hranami nemají tendenci se ohýbat a snadněji se ovládají.
- **Elektrické nářadí, příslušenství, nástavce nástrojů atd. používejte v souladu s těmito pokyny a s přihlednutím k pracovním podmínkám a vykonávané práci.** Používání elektrického nářadí k činnostem, pro které není určeno, může vést k nebezpečným situacím.
- **Elektrické nářadí držte pouze za izolované části rukojeti, protože střížná lišta může být v kontaktu se skrytým vedením.** Střížná lišta, která je v kontaktu s vodičem „pod proudem“, může rozvést proud do nechráněných kovových částí elektrického nářadí a způsobit obsluhu úraz elektrickým proudem.
- **Kabel udržujte mimo prostor stříhání.** Při práci se může kabel skrýt v keři a může dojít k neúmyslnému přestřihnutí lištou.

POUŽITÍ A PÉČE O AKUMULÁTOROVÉ NÁŘADÍ

- **K nabíjení používejte pouze nabíječku doporučenou výrobcem.** Nabíječka vhodná pro jeden typ akumulátoru může způsobit požár při použití s jiným typem akumulátoru.
- **Elektrické nářadí používejte výhradně se specifikovanými akumulátory.** Použití jiných akumulátorů může způsobit riziko úrazu nebo požáru.
- **Pokud akumulátor nepoužíváte, uchovávejte jej v bezpečné vzdálenosti od kovových předmětů jako jsou např. kancelářské sponky, mince, klíče, hřebíky, šrouby nebo jiné malé kovové předměty, které mohou propojit jednotlivé póly.** Zkrat pólů akumulátoru může způsobit popálení nebo požár.
- **V nepříznivých podmínkách může dojít k úniku tekutiny z akumulátoru; vyhněte se styku s ní.** Pokud dojde k neúmyslnému styku, opláchněte místo vodou. Pokud dojde k zasažení očí, vyhledejte navíc lékařské ošetření. Kapalina unikající z akumulátoru může způsobit podráždění nebo popálení.

CZ

SERVIS

- **Servis vašeho elektrického nářadí svěřte kvalifikovanému opraváři, který použije pouze originální náhradní díly.** Tím zajistíte bezpečnost elektrického nářadí.

BEZPEČNOSTNÍ VAROVÁNÍ PRO PLOTOVÉ NŮŽKY

- **Udržujte všechny části těla v bezpečné vzdálenosti od střížné lišty. Neodstraňujte stříhaný materiál ani jej nedržte, pokud je lišta v pohybu. Při čištění uviditelného materiálu dbejte, aby byl spínač vypnutý.** Jediná chvilka nepozornosti při práci s plotovými nůžkami může mít za následek vážný úraz.
- **Plotové nůžky přenášejte za rukojeť se zastavenou střížnou lištou.** Při přepravě nebo skladování plotových nůžek vždy nasadte kryt stříhacího zařízení. Správná manipulace s plotovými nůžkami sníží možné riziko úrazu střížnou lištou.
- **Elektrické nářadí držte pouze za izolované části rukojeti, protože střížná lišta může být v kontaktu se skrytým vedením.** Střížná lišta, která je v kontaktu s vodičem „pod proudem“, může rozvést proud do nechráněných kovových částí elektrického nářadí a způsobit obsluhu úraz elektrickým proudem.
- **Kabel udržujte mimo prostor stříhání.** Při práci se může kabel skrýt v keři a může dojít k neúmyslnému přestřihnutí lištou.
- **Před zahájením práce zkontrolujte, zda v nůžkách nejsou cizí tělesa, např. drátěný plot.** Plotové nůžky používejte pouze se správně namontovaným ochranným krytem. Použití plotových nůžek bez řádného krytu může vést k vážnému úrazu!
- **Při práci s plotovými nůžkami používejte obě ruce. Použití jen jedné ruky může vést ke ztrátě kontroly a může způsobit vážný úraz.**

VAROVÁNÍ: Před zahájením práce zkontrolujte, zda v nůžkách nejsou cizí tělesa, např. drátěný plot. Plotové nůžky používejte pouze se správně namontovaným ochranným krytem. Použití plotových nůžek bez vhodného krytu může vést k vážnému úrazu!

DŮLEŽITÉ BEZPEČNOSTNÍ POKYNY

- **Nepoužívejte akumulátorové plotové nůžky v dešti.**
- **Akumulátor nenabíjejte v dešti nebo na mokřem místě.**
- **Používejte pouze akumulátory a nabíječky uvedené na obr. A.**
- **Plotové nůžky nezdvíhejte ani nedržte za odhalenou střížnou lištu nebo za nože.**
- **Zařízení nepoužívejte na žebřiku, střeše, stromě a jiných nestabilních operách. Stabilní postoj a pevný povrch vám umožní lepší ovládání plotových nůžek v nečekaných situacích.**
- **Nikdy nedovolte dětem pracovat s plotovými nůžkami.**
- **Nikdy neupravujte ani nezasahujte do bezpečnostních zařízení. Pravidelně kontrolujte jejich správnou funkci. Nikdy nedělejte nic, co by bylo v rozporu s funkcí bezpečnostního zařízení, nebo omezovalo ochranu zajištěnou bezpečnostním zařízením.**
- **Nikdy nepoužívejte plotové nůžky bez instalace vhodných krytů, štítů nebo jiných bezpečnostních zařízení.**

- Před dalším použitím plotových nůžek zkontrolujte poškozené díly. Před použitím nářadí je nutno každý poškozený kryt nebo část pečlivě zkontrolovat a určit, zda budou fungovat správně a plnit svoji zamýšlenou funkci. Zkontrolujte seřízení pohyblivých částí, spojení pohyblivých částí, poškozené části, sestavení a další podmínky, které mohou ovlivnit jeho provoz. Kryt nebo jiná poškozená část by se měly řádně opravit nebo vyměnit v autorizovaném servisním středisku, pokud není v tomto návodu uvedeno jinak.
- V pravidelných intervalech kontrolujte správné utažení upevňovacích šroubů nože a motoru. Rovněž vizuálně zkontrolujte, zda není poškozen nůž (např. ohnutý, prasklý nebo opotřebovaný). Lištu vyměňte pouze za originální lištu značky EGO™.
- Lištu vyměňte, pokud je ohnutá nebo prasklá. Nevyvážená lišta způsobuje vibrace, které mohou poškodit hnací motorovou jednotku, nebo způsobit úraz.
- Pokud začne zařízení abnormálně vibrovat, zastavte motor a okamžitě vyhledejte příčinu. Vibrace obvykle upozorňují na problém.
- Nůžky se používají ke stříhání větví užších než (33 mm).
- Stříhejte pouze za denního světla nebo při dobrém umělém osvětlení.
- Před servisem, čištěním nebo odstraňováním materiálu z plotových nůžek vyjměte nebo odpojte akumulátor.
- Nůžky nemýjte hadicí; dbejte, aby se do motoru a elektrických přípojek nedostala voda.
- Při opravách používejte pouze originální náhradní díly uvedené v tomto návodu. Použití dílů, které nespĺňují specifikace originálního vybavení může vést k nekvalitnímu výkonu a narušení bezpečnosti.
- Dodržujte pokyny pro mazání a výměnu příslušenství.
- Udržujte rukojeti suché, čisté, bez oleje a maziva.
- Tyto pokyny uschovejte pro budoucí použití. Používejte je často a také k poučení dalších osob, které mohou toto nářadí používat. Pokud nářadí někomu půjčíte, půjčte mu také tento návod k obsluze, aby nedošlo k nesprávnému použití výrobků nebo případně k úrazu.

TYTO POKYNY USCHOVEJTE PRO BUDOUCÍ POUŽITÍ!

SPECIFIKACE

Číslo modelu	HT5100E	HT6500E	
Napětí	56 V ---	56 V ---	
Rychlost při chodu naprázdno	Vysoká	1600 /min	1600 /min
	Nízká	1400 /min	1400 /min
Doporučená provozní teplota:	0 °C ~ 40 °C		
Doporučená skladovací teplota:	- 20 °C ~ 70 °C		
Délka lišty	51 cm	65 cm	
Řezný výkon	33 mm	33 mm	
Hmotnost nůžek (bez akumulátoru)	3,6 kg	3,8 kg	
Měřená hladina akustického výkonu L_{WA} K = 1,55 dB(A)	90 dB(A)	91,45 dB(A) K = 1,08 dB(A)	
Hladina akustického tlaku v místě obsluhy L_{PA} K = 2,5 dB(A)	81,5 dB(A)	81,4 dB(A)	
Zaručená úroveň akustického výkonu L_{WA} (měřeno podle směrnice 2000/14/ES)	92 dB(A)	93 dB(A)	
Vibrace a_h K = 1,5 m/s ²	Přední rukojeť	3,369 m/s ²	5,313 m/s ²
	Zadní rukojeť	1,876 m/s ²	3,115 m/s ²

- Celková deklarovaná hodnota vibrací byla naměřena podle standardní zkušební metody a lze ji použít ke srovnání s jiným nářadím;
- Celkovou deklarovanou hodnotu vibrací lze použít také k předběžnému stanovení expozičních limitů.

POZNÁMKA: Emise vibrací při konkrétním použití elektrického nářadí se mohou lišit od deklarované hodnoty, při které se nářadí používá; z důvodu ochrany provozovatele by měl uživatel ve skutečných pracovních podmínkách nosit rukavice a chrániče sluchu.

OBSAH BALENÍ

NÁZEV DÍLU	MNOŽSTVÍ
Plotové nůžky	1
Kryt	1
Návod k obsluze	1

POPIS

SEZNAMTE SE S VAŠIMI PLOTOVÝMI NŮŽKAMI

(obr. A)

1. Tlačítko pro uvolnění baterie
2. Zadní rukojeť
3. Pojistka
4. Zadní pákový spínač
5. Ovladač regulace otáček
6. Přední rukojeť
7. Přední pákový spínač
8. Chráníč rukou
9. Chráníč čepele
10. Čepel
11. Ochrana hrotu
12. Západka
13. Elektrické kontakty
14. Montážní otvor
15. Vysunovací mechanismus
16. Pojistka na rukojeti
17. Kryt motoru
18. Kryt

VAROVÁNÍ: Tento výrobek byl expedován kompletně smontovaný. Chráníč rukou se nesmí nikdy odstranit během používání. Poškozený chráníč nechte ihned vyměnit kvalifikovaným servisním technikem.

VAROVÁNÍ: Bezpečné používání tohoto výrobku vyžaduje seznámení s informacemi na nářadí a v tomto návodu k obsluze a také s projektem, na kterém pracujete. Před použitím výrobku se seznámte se všemi provozními funkcemi a bezpečnostními zásadami.

POUŽITÍ

VAROVÁNÍ: Dbejte, abyste se po seznámení s výrobkem nestali neopatrní. Nezapomínejte, že stačí chvíle nepozornosti a může se stát vážný úraz.

VAROVÁNÍ: Vždy používejte ochranu očí s bočními štíty spolu s chrániči sluchu. Pokud tak neučiníte, může dojít k vyvráždění předmětu do očí, nebo případně jiným vážným úrazům.

VAROVÁNÍ: Pokud provádíte montáž dílů, úpravy, čištění, nebo foukač nepoužíváte, vždy vyjměte akumulátor, aby nedošlo k neúmyslnému spuštění, které může způsobit vážný úraz.

VAROVÁNÍ: Nepoužívejte nástavce nebo příslušenství, které nedoporučuje společnost EGO™. Použití nedoporučených nástavců a příslušenství může vést k vážnému úrazu.

Před každým použitím zkontrolujte celý výrobek, zda není poškozen, nechybí nebo nejsou uvolněné žádné díly, jako např. vruty, matice, šrouby, uzávěry atd. Pevně utáhněte všechny upevňovací prvky a uzávěry a výrobek nepoužívejte, dokud se nevymění všechny chybějící nebo poškozené díly.

POUŽITÍ

Tento výrobek můžete použít ke stříhání živých plotů, keřů a křovin s průměrem větví menším než Ø33 mm.

POZNÁMKA: Nářadí se smí používat pouze k vyhrazenému účelu. Jakékoliv jiné použití se považuje za nesprávné.

INSTALACE/VYJMUTÍ AKUMULÁTORU

Před prvním použitím akumulátor nabijte.

Instalace (obr. B)

Srovnejte žebrování akumulátoru s instalačními drážkami a tlačte baterii dokud neuslyšíte „kliknutí“.

Sejmutí (obr. C)

Stiskněte tlačítko pro uvolnění akumulátoru a vytáhněte jej.

VAROVÁNÍ: Při stisku tlačítka pro uvolnění akumulátoru dávejte pozor na nohy, děti nebo domácí zvířata. Pokud akumulátor upadne, může dojít k vážnému úrazu. NIKDY nevýjímte akumulátor ve zdvižené poloze.

SPUŠTĚNÍ/VYPNUTÍ PLOTOVÝCH NŮŽEK

Před spuštěním sejměte kryt lišty a držte nůžky oběma rukama, jednou za zadní a druhou za přední rukojeť. Pak zkontrolujte vyvážený postoj, vzpřímené postavení a správnou stříhací vzdálenost.

VAROVÁNÍ: Plotové nůžky držte vždy oběma rukama za rukojeti. Nikdy nedržte jednou rukou keř a druhou ovládejte plotové nůžky. Pokud se nebudete řídit tímto varováním, může dojít k vážnému úrazu.

Spuštění

Stiskněte pojistku dlaní a poté stiskněte zadní spínač nahoru. Se zmáčknutým zadním spínačem pokračujte stisknutím předního pákového spínače pro spuštění.

Zastavení

Při uvolnění jedné z pák se nůžky zastaví.

POZNÁMKA: Aby se plotové nůžky spustily, musí se stlačit obě páky spínače.

POUŽITÍ PLOTOVÝCH NŮŽEK

VAROVÁNÍ: Pokud lišta uvízne na elektrickém kabelu nebo vedení, **NEDOTÝKEJTE SE LIŠTY! MŮŽE SE STÁT ELEKTRICKY VODIVOU A VELMI NEBEZPEČNOU.** Držte nadále plotové nůžky za izolovanou zadní rukojeť, nebo je položte v bezpečné vzdálenosti od sebe. Než se pokusíte uvolnit lištu z vedení nebo kabelu, odpojte je z elektrické sítě. Nedodržení tohoto varování povede k vážnému úrazu nebo dokonce smrti.

VAROVÁNÍ: Aby nedošlo k vážnému úrazu, nedotýkejte se rukama lišty. Nepokoušejte se odstranit stříhaný materiál ani jej nedržte, pokud je lišta v pohybu. Před odstraněním zablokovaného materiálu z lišty zkontrolujte, že se lišta zastavila a akumulátor je vyjmutý. Plotové nůžky nezdvíhejte ani nedržte za odhalenou střížnou lištu nebo za nože.

VAROVÁNÍ: Před každým použitím vyčistěte prostor, kde budete stříhat. Odstraňte všechny předměty, jako např. kabely, světla, vodiče nebo šňůry, které se mohou zamotat do střížné lišty a způsobit riziko vážného úrazu.

VAROVÁNÍ: Vyhybejte se stříhání nadměrného množství najednou nebo skrz husté křoví. Lišta může uvíznout, zpomalit a tím se sníží účinnost stříhání.

POZNÁMKA: U nového porostu je vhodný široký záběr, aby se větve dostaly přímo do střížné lišty. U staršího porostu je vhodný pilový pohyb pro stříhání silnějších větví. Pro stříhání silných větví je vhodné použít nejprve ruční nebo prořezávací pilu.

Horní stříhání

Použijte pohyb se širokým záběrem. Nejlepších výsledků stříhání dosáhnete při mírném naklonění střížné lišty směrem dolů ve směru pohybu. Pro dosažení lepšího účinku stříhání můžete použít k vedení úrovně nůžek šňůru, jak je znázorněno na obr. D.

Boční stříhání

Při stříhání bočních stran křovin začnete dole a stříhajte směrem nahoru, jak je znázorněno na obr. E1 nebo Obr. E2.

Důkladné řezání

Zadní rukojeť lze nastavit do pěti poloh ($0^\circ/\pm 45^\circ/\pm 90^\circ$) vytážením západky (obr. F1 až obr. F5). Pokud je nutné důkladné ořezání, nastavte zadní rukojeť na $\pm 45^\circ$ (obr. F2 a F4) pro řezání.

VAROVÁNÍ: Upravujete-li rukojeť, řezací čepel nesmí být spuštěna.

POZNÁMKA: Při práci musí rukojeť být vždy směrem nahoru bez ohledu na to, jak jsou nasměrovány nůžky na živý plot.

Ochrana hrotu

Ochrana hrotu (obr. G) se používá k ochraně vnějšího konce čepele.

Chránič čepele

Vnější část čepele je tvarována jako chránič čepele (obr. H).

H-1	Čepel
H-2	Chránič čepele

VAROVÁNÍ: Vždy zkontrolujte, zda chránič čepele není poškozen nebo zdeformován. Vyměřte ho, pokud je ohnutý nebo poškozeny.

ÚDRŽBA

VAROVÁNÍ: Při opravách používejte pouze originální náhradní díly. Použití jiných dílů může být rizikem nebo způsobit poškození výrobku. Z důvodu bezpečnosti by měl všechny opravy provádět kvalifikovaný servisní technik.

VAROVÁNÍ: Aby nedošlo k vážnému úrazu, vždy při čištění nebo jiné údržbě vyjměte z výrobku akumulátor.

ČIŠTĚNÍ

- Měkkým hadrem odstraňte nečistoty ze všech přívodů vzduchu střížné lišty.
- Pokud chcete odstranit pryskyřici nebo jiné lepidlo zbytky, nastříkejte lištu rozpouštědlem pryskyřic. Krátce spusťte motor tak, aby se rozpouštědlo rovnoměrně rozptýlilo.
- Setřete povrch suchým hadrem.

VAROVÁNÍ: K čištění nůžek nikdy nepoužívejte vodu. K čištění plastových dílů nepoužívejte rozpouštědla. Většina plastů je náchylná k poškození různými typy komerčních rozpouštědel. K odstranění nečistot, prachu, oleje, maziva atd. použijte čistý hadr.

BROUŠENÍ STŘIŽNÉ LIŠTY

1. Vyjměte akumulátor z plotových nůžek.
2. Upevněte sestavu lišty do svěráku a pilujte odkryté břity jednotlivých zubů lišty. Odstraňte co nejmenší množství materiálu.
3. Vyjměte plotové nůžky ze svěráku a odkryjte nenabroušené břity. Postup opakujte, dokud nejsou všechny zuby lišty nabroušené.

POZNÁMKA: Plotové nůžky nepoužívejte s tupou nebo poškozenou střížnou lištou. Může dojít k přetížení a neuspokojivým výsledkům stříhání.

MAZÁNÍ LIŠTY

Pro lepší funkci a delší životnost lišty mažte lištu plotových nůžek před a po každém použití lehkým strojním olejem.

Vyjměte akumulátor a položte nůžky na rovný povrch. Aplikujte olej podél hrany horní lišty.

POZNÁMKA: Při dlouhodobém používání mažte lištu i během stříhání.

VAROVÁNÍ: Plotové nůžky neolejujte, pokud jsou v provozu.

MAZÁNÍ PŘEVODOVÉ SKŘÍŇE

Pro nejlepší provoz a delší životnost mažte převodovou skříň plotových nůžek speciálním mazivem (pokaždé přibližně 5-6 g v #1 a 10-12 g v #2) po každých 25 hodinách provozu.

POZNÁMKA: Požádejte o pomoc místního prodejce služeb ego.

Speciální mazivo musí splňovat následující požadavky:

1. Patří do DIN51818: Stupeň kuželové penetrace NLGI-2.
2. Skládá se z polymočovinového zahušťovadla + syntetického mazacího oleje.
3. Vynikající spouštění při nízkých teplotách, EP, mechanický stříh, odolnost proti otěru a vlastnosti oxidativní stability.
4. Provozní teplota musí být od - 40 do 180 ° C.

PŘEPRAVA A SKLADOVÁNÍ

- Před uskladněním nebo přepravou plotových nůžek vždy nasadte kryt lišty. Dávejte pozor na ostré zuby lišty.
- Před uskladněním plotové nůžky řádně vyčistěte.
- Plotové nůžky skladujte v interiéru, na suchém místě, které je mimo dosah dětí.

- Uchovávejte ji v bezpečné vzdálenosti od korozivních látek, jako jsou chemické látky a rozmrazovací soli.

VAROVÁNÍ: Lišty jsou ostré. Při manipulaci se sestavou lišt používejte protisklizovou, odolnou ochrannou rukavice. Nestrkejte ruce ani prsty mezi lišty ani na žádné jiné místo, kde by mohlo dojít k jejich sevření nebo uříznutí. NIKDY se nedotýkejte lišt ani neprovádějte servis s instalovaným akumulátorem.

Ochrana životního prostředí



Elektrické zařízení, nabíječku a baterie/nabíjecí baterie nevhazujte do domovního odpadu!

Podle směrnice Evropského parlamentu a Rady 2012/19/EU se musí odpadní elektrická a elektronická zařízení a podle směrnice 2006/66/ES vadné nebo použité akumulátory/baterie sbírat odděleně.

Pokud se elektrická zařízení likvidují na zavážkách nebo skládkách, mohou do podzemní vody prosáknout nebezpečné látky, dostat se do potravního řetězce a poškodit tak vaše zdraví a zdravotní stav.

ODSTRAŇOVÁNÍ PROBLÉMŮ

PROBLÉM	PŘÍČINA	ŘEŠENÍ
Plotové nůžky nefungují	<ul style="list-style-type: none"> ■ K plotovým nůžkám není připojen akumulátor. 	<ul style="list-style-type: none"> ■ Nasaďte akumulátor na plotové nůžky.
	<ul style="list-style-type: none"> ■ Bez elektrického kontaktu mezi plotovými nůžkami a akumulátorem. 	<ul style="list-style-type: none"> ■ Vyměňte akumulátor, zkontrolujte póly a znovu jej nainstalujte.
	<ul style="list-style-type: none"> ■ Akumulátor je vybitý. 	<ul style="list-style-type: none"> ■ Nabijte akumulátor.
	<ul style="list-style-type: none"> ■ Akumulátor je příliš horký. 	<ul style="list-style-type: none"> ■ Vyměňte akumulátor z nářadí a nechte jej zchladnout, dokud teplota neklesne pod 67 °C.
	<ul style="list-style-type: none"> ■ Plotové nůžky jsou příliš horké. 	<ul style="list-style-type: none"> ■ Uvolněte obě páky spínače; nechte nůžky zchladnout, dokud teplota neklesne pod 77 °C.
	<ul style="list-style-type: none"> ■ Obě páky spínače nejsou stisknuté současně. 	<ul style="list-style-type: none"> ■ Stiskněte páky spínače na přední a zadní rukojeti současně.
	<ul style="list-style-type: none"> ■ Lišta se zablokovala. 	<ul style="list-style-type: none"> ■ Vyměňte akumulátor z nářadí, opatrně odstraňte překážku, vložte akumulátor a nářadí restartujte.
Nadměrné vibrace nebo hluk	<ul style="list-style-type: none"> ■ Suché nebo zkorodované lišty. 	<ul style="list-style-type: none"> ■ Namažte lišty podle pokynů v části „MAZÁNÍ LIŠTY“ tohoto návodu.
	<ul style="list-style-type: none"> ■ Lišty nebo podpěra lišt jsou uhnuté. 	<ul style="list-style-type: none"> ■ Vyměňte za novou lištu nebo podpěru. Výměnu lišty nebo podpěry zajistí servisní středisko společnosti EGO uvedené.
	<ul style="list-style-type: none"> ■ Ohnuté nebo poškozené zuby. 	<ul style="list-style-type: none"> ■ Vyměňte za novou lištu. Výměnu lišty zajistí servisní středisko společnosti EGO uvedené.
	<ul style="list-style-type: none"> ■ Povolte šrouby lišt. 	<ul style="list-style-type: none"> ■ Dotáhněte šrouby lišt. Použijte klíč, matici utáhněte ve směru hodinových ručiček.

CZ

ZÁRUKA

ZÁRUKA SPOLEČNOSTI EGO

Úplné záruční podmínky společnosti EGO naleznete na webové stránce egopowerplus.com.

PREČÍTAJTE SI VŠETKY POKYNY!



**PREČÍTAŤ SI & POCHOPIŤ
NÁVOD NA OBSLUHU**

⚠ Potenciálne riziká! Ľudia s elektronickými zariadeniami, ako sú napríklad kardiostimulátory, sa musia pred použitím tohto výrobku poradiť so svojim lekárom. Použitie elektrických zariadení v tesnej blízkosti kardiostimulátora by mohlo spôsobiť rušenie alebo zlyhanie kardiostimulátora.

⚠ VAROVANIE: Pre zaistenie bezpečnosti a spoľahlivosti je nevyhnutné, aby všetky opravy a výmeny vykonával len kvalifikovaný servisný technik.

BEZPEČNOSTNÉ SYMBOLY

Účelom bezpečnostných symbolov je upozorniť vás na možné nebezpečenstvá. Venujte príslušnú pozornosť a pochopte bezpečnostné symboly a ich vysvetlenia. Varovné symboly, samy o sebe, nedokážu eliminovať nebezpečenstvo.

Pokyny a varovania, ktoré obsahujú, nie sú náhradou za vhodné opatrenia na prevenciu úrazov.

⚠ VAROVANIE: Pred použitím tohto nástroja si prečítajte a pochopte všetky bezpečnostné pokyny v tomto návode na obsluhu, vrátane všetkých bezpečnostných výstražných symbolov, ako sú „**NEBEZPEČENSTVO**“, „**VAROVANIE**“ a „**UPOZORNENIE**“. Nedodržanie nižšie uvedených pokynov môže mať za následok úraz elektrickým prúdom, požiar a / alebo vážne zranenie.

VÝZNAM SYMBOLU

BEZPEČNOSTNÝ VÝSTRAŽNÝ SYMBOL:

Označuje **NEBEZPEČENSTVO**, **VAROVANIE** alebo **UPOZORNENIE**. Môže byť použitý v spojení s inými symbolmi alebo piktogramami.

⚠ VAROVANIE: Prevádzka akéhokoľvek elektrického náradia môže viesť k vymršteniu cudzích predmetov do vašich očí, čo môže spôsobiť vážne poškodenie zraku. Skôr, ako začnete používať elektrické náradie, si vždy nasadte ochranné okuliare alebo ochranné okuliare s postrannými krytmi a prípadne celotvárový štít. Odporúčame použiť bezpečnostnú masku so širokým prieszorom cez okuliare alebo štandardné bezpečnostné okuliare s postrannými krytmi.

BEZPEČNOSTNÉ POKYNY

Táto strana zobrazuje a popisuje bezpečnostné symboly, ktoré sa objavujú na tomto výrobku. Pred pokusom o zostavenie a prevádzkovanie si prečítajte, pochopte a dodržiavajte všetky pokyny na stroji.

	Bezpečnostné upozornenie	Upozorňuje na potenciálne nebezpečenstvo úrazu.
	Prečítajte si návod na obsluhu	Ak chcete znížiť riziko zranenia, musíte si prečítať návod na obsluhu.
	Nezvyšujte dažďu	VAROVANIE: Nepoužívajte v daždi, alebo nenechajte vonku, keď prší.
	Dĺžka čepele	Dĺžka čepele
	Rezná kapacita	Max. rezná kapacita čepele
V	Volt	Napätie
A	Ampéry	Prúd
Hz	Hertz	Frekvencia (cyklov za sekundu)
W	Watt	Výkon
min	Minúty	Čas
	Striedavý prúd	Typ prúdu
	Jednosmerný prúd	Typ alebo charakteristika prúdu
n_0	Rýchlosť bez zaťaženia	Rýchlosť otáčania, bez záťaže
... /min	Za minútu	Otáčky za minútu
SPM	Počet zdvihov za minútu	Rýchlosť zdvihu, bez záťaže

VŠEOBECNÉ BEZPEČNOSTNÉ VAROVANIA PRE ELEKTRICKÉ NÁRADIE

⚠ VAROVANIE: Prečítajte si všetky bezpečnostné varovania a pokyny. Nedodržanie týchto varovaní a pokynov môže spôsobiť úraz elektrickým prúdom, požiar a / alebo vážne zranenie.

Odložte si všetky varovania a pokyny pre budúce použitie.

Termin „elektrické náradie“ vo varovaniach znamená váš elektrický prístroj zapojený (cez kábel) do prívodu elektrickej energie alebo napájaný (bezdrôtovo) z batérie.

BEZPEČNOSŤ PRACOVISKA

- **Udržiavajte pracovisko čisté a dobre osvetlené.**
Neporiadok a tmavé priestory vedú k úrazom.
- **Nepoužívajte elektrické náradie vo výbušnom prostredí, napríklad v prítomnosti horľavých kvapalín, plynov alebo prachu.** Elektrické náradie vytvára iskry, ktoré môžu zapáliť prach alebo výpar.
- **Pri používaní elektrického náradia udržiavajte deti a okolostojace osoby mimo pracoviska.** Pri rozptyľovaní môžete stratiť kontrolu.

ELEKTRICKÁ BEZPEČNOSŤ

- **Pripojovacia zástrčka musí zodpovedať zásuvke.** Nikdy neupravujte zástrčku akýmkoľvek spôsobom. **Nepoužívajte žiadne rozbočovacie zástrčky s uzemneným elektrickým náradím.** Neupravené zástrčky a príslušné zásuvky obmedzia nebezpečenstvo úrazu elektrickým prúdom.
- **Zabráňte kontaktu tela s uzemnenými povrchmi, ako sú rúry, radiátory, sporáky a chladničky.** Dochádza k zvýšeniu rizika úrazu elektrickým prúdom, ak je vaše telo uzemnené.
- **Nevystavujte elektrické náradie dažďu alebo vlhkým podmienkam.** Voda vniknutá do elektrického náradia zvyšuje nebezpečenstvo úrazu elektrickým prúdom.
- **Nezaťažujte kábel.** Nikdy nepoužívajte kábel na nosenie, ťahanie alebo odpájanie náradia. **Udržujte kábel v dostatočnej vzdialenosti od zdrojov tepla, oleja, ostrých hrán alebo pohyblivých častí.** Poškodené alebo zamotané káble zvyšujú riziko úrazu elektrickým prúdom.
- **Ak pracujete s elektrickým náradím vonku, použite predlžovací kábel vhodný na vonkajšie použitie.** Použitie kábla vhodného na vonkajšie použitie znižuje riziko úrazu elektrickým prúdom.
- **Ak je používanie elektrického náradia vo vlhkom prostredí nevyhnutné, použite napájanie chránené prúdovým chráničom.** Použitie prúdového chrániča znižuje riziko úrazu elektrickým prúdom.

BEZPEČNOSŤ OSÔB

- **Buďte pozorní, sledujte to, čo robíte a používajte zdravý rozum pri práci s elektrickým náradím.** **Nepoužívajte elektrické náradie, ak ste unavení alebo pod vplyvom drog, alkoholu alebo liekov.** Chvilková nepozornosť pri práci s elektrickým náradím môže mať za následok vážne zranenie.

- **Používajte osobné ochranné pomôcky. Vždy používajte ochranu očí.** Ochranné prostriedky ako respirátor, protišmyková bezpečnostná obuv, prilba alebo chrániče sluchu použité za vhodných podmienok znižujú nebezpečenstvo zranenia.
- **Zabráňte náhodnému spusteniu.** Pred pripojením k zdroju napájania a/alebo akumulátoru, pri zdvíhaní alebo prenášaní nástroja sa uistite, že prepínač je vo vypnutej polohe. Prenášanie náradia s prstom na spínači, alebo prenášanie zapnutého elektrického náradia zvyšuje riziko úrazu.
- **Pred zapnutím elektrického náradia odstráňte akékoľvek nastavovacie nástroje alebo kľúče.** Nástroj alebo kľúč, ktorý zostane pripojený na rotujúcu časť stroja, môže spôsobiť zranenie.
- **Nepreceňujte sa.** Pri práci vždy dodržujte správny postoj a rovnováhu. Umožňuje to lepšiu kontrolu elektrického náradia v neočakávaných situáciách.
- **Vhodne sa oblečte.** Noste šperky alebo voľný odev. Udržujte vlasy, oblečenie a rukavice v dostatočnej vzdialenosti od pohybujúcich sa dielov. Voľný odev, šperky alebo dlhé vlasy môžu byť zachytené pohybujúcimi sa dielmi.
- **Pokiaľ je náradie vybavené zariadením na zachytávanie prachu a úlomkov materiálu, skontrolujte, či je k náradiu správne pripravené.** Použitie odsávania prachu môže znížiť nebezpečenstvo, ktoré súvisí s prachom.

POUŽÍVANIE A STAROSTLIVOSŤ O ELEKTRICKÉ NÁRADIE

- **Netlačte na elektrické náradie.** Používajte správne náradie na vašu prácu. Správne elektrické náradie bude pracovať lepšie a bezpečnejšie pri rýchlosti, na ktorú bolo určené.
- **Nepoužívajte elektrické náradie v prípade, že vypínač nie je možné zapnúť a vypnúť.** Akékoľvek elektrické náradie, ktoré sa nedá ovládať vypínačom je nebezpečné a musí sa opraviť.
- **Pred akýmkoľvek nastavením, výmenou príslušenstva alebo pred uložením elektrického náradia odpojte zástrčku od zdroja a/alebo akumulátora.** Tieto preventívne bezpečnostné opatrenia znižujú riziko náhodného spustenia elektrického náradia.
- **Uchovávajte nepoužívané elektronáradie mimo dosahu detí a nedovoľte, aby osoby neoboznámene s elektrickým náradím alebo s týmito pokynmi náradie používali.** Elektrické náradie je nebezpečné v rukách neskúsených používateľov.

SK

- **Starajte sa o elektrické náradie.** Skontrolujte nastavenie pohyblivých častí, poškodenie dielov a akékoľvek ďalšie okolnosti, ktoré môžu mať vplyv na funkciu elektrického náradia. Ak je elektrické náradie poškodené, nechajte ho pred použitím opraviť. Veľa úrazov je zapríčinených zle udržiavaným náradím.
- **Rezacie nástroje udržiavajte ostré a čisté.** Starostlivo ošetrované rezné nástroje s ostrými čepeľami menej pravdepodobne uviaznu a jednoduchšie sa ovládajú.
- **Používajte elektrické náradie, príslušenstvo, násady a pod. podľa týchto pokynov s prihliadnutím na pracovné podmienky a prácu, ktorá má byť vykonaná.** Použitie elektrického náradia na iné ako určené účely môže viesť k nebezpečným situáciám.
- **Nožnice na živý plot prenášajte za držadlo so zastavenou čepeľou.** Pri preprave alebo skladovaní nožnic na živý plot vždy nasadte kryt na rezné plochy. Správna manipulácia s nožnicami na živý plot znižuje možnosť úrazu ostrým čepeľou.
- **Elektrické náradie držte len za izolované rukoväte, pretože čepele môžu prísť do kontaktu so skrytým vedením.** Pri kontakte so „živým“ vodičom sa môžu obnažené kovové časti náradia stať „živými“ a môžu spôsobiť obsluhu elektrický šok.
- **Udržujte káble v bezpečnej vzdialenosti od rezného priestoru.** Počas práce môže byť kábel skrytý v kríkoch a môže dôjsť k jeho náhodnému prerezaniu.
- **Pred začiatkom práce skontrolujte kríky na cudzie predmety, napr. drôtené oplotenie.**
- **Používajte nožnice na živý plot len so správnym nasadeným ochranným krytom.** Použitie nožnic na živý plot bez riadneho ochranného krytu môže spôsobiť vážne zranenia!
- **Pri ovládaní nožnic na živý plot používajte obe ruky. Pri manipulácii len s jednou rukou môže dôjsť k strate kontroly a vzniku vážneho poranenia.**

POUŽÍVANIE A STAROSTLIVOSŤ O NÁRADIE NA BATÉRIE

- **Nabíjajte iba nabíjačkou určenou výrobcom.** Nabíjačka vhodná pre jeden typ akumulátora môže spôsobiť riziko požiaru pri použití s iným akumulátorom.
- **Používajte elektrické náradie iba s výslovnou určenými akumulátormi.** Použitie iných akumulátorov môže spôsobiť riziko úrazu a požiaru.
- **Pokiaľ akumulátor nepoužívate, držte ho mimo dosahu kovových predmetov, ako sú kancelárske sponky na papier, mince, kľúče, kľince, skrutky alebo ďalšie drobné kovové predmety, ktoré môžu spôsobiť vzájomné skratovanie vývodov.** Skratovanie kontaktov akumulátora môže spôsobiť popálenie alebo požiar.
- **V nevhodných podmienkach môže kvapalina unikáť z batérie. Zabráňte kontaktu. Pri náhodnom kontakte opláchnite vodou. Pri zasiahnutí očí vyhľadajte lekársku pomoc.** Unikajúca kvapalina z akumulátora môže spôsobiť podráždenie pokožky alebo popálenie.

OPRAVA

- **Nechajte vaše elektrické náradie opraviť kvalifikovanou osobou s použitím iba identických náhradných dielov.** Tým sa zabezpečí, že bezpečnosť stroja zostane zachovaná.

BEZPEČNOSTNÉ POKYNY PRE NOŽNICE NA ŽIVÝ PLOT

- **Udržujte všetky časti tela mimo dosahu rezných čepeľí. Neodstraňujte rezaný materiál, alebo ho nepridržiavajte, keď sú čepele v pohybe. Uistite sa, že vypínač je vypnutý pri odstraňovaní zaseknutého materiálu.** Chvilková nepozornosť pri práci s nožnicami na živý plot môže mať za následok vážne zranenie.

- **VAROVANIE:** Pred začiatkom práce skontrolujte kríky na cudzie predmety, napr. drôtené oplotenie. Používajte nožnice na živý plot len so správnym nasadeným ochranným krytom. Použitie nožnic na živý plot bez riadneho ochranného krytu môže spôsobiť vážne zranenia!

DÔLEŽITÉ BEZPEČNOSTNÉ POKYNY

- **Nepoužívajte nožnice na živý plot na batérie v daždi.**
- **Nedobíjajte batériu v daždi alebo vo vlhkom prostredí.**
- **Používajte iba s akumulátormi a nabíjačkami, ktoré sú uvedené na obr. A.**
- **Nechytajte obnažené rezné čepele pri zdvíhaní alebo držaní nožnic na živé ploty.**
- **Nepoužívajte na rebríku, streche, strome alebo v inej nestabilnej podpore. Stabilné postavenie na pevnom povrchu umožňuje lepšiu kontrolu nad nožnicami na živý plot pri neočakávaných situáciách.**
- **Nikdy nedovoľte deťom obsluhovať nožnice na živý plot.**

- Nikdy neodstraňujte, alebo nemanipulujte s bezpečnostnými zariadeniami. Pravidelne kontrolujte ich správnu funkciu. Nikdy nerobte nič, čo by mohlo zasiahnuť do zamýšľanej funkcie bezpečnostného zariadenia alebo znížiť ochranu poskytovanú bezpečnostným zariadením.
- Nikdy nepoužívajte nožnice na živý plot bez nasadených príslušných chráničov, štítov alebo iných ochranných bezpečnostných zariadení.
- Pred ďalším použitím nožnic na živý plot skontrolujte poškodené časti. Chránič alebo iná časť, ktorá je poškodená, musí byť starostlivo skontrolovaná na správnu funkciu a plnenie jej zamýšľaného účelu. Skontrolujte vyrovnanie pohyblivých častí, pripojenie pohyblivých častí, poškodenie jednotlivých dielov, montáž a akékoľvek iné okolnosti, ktoré môžu mať vplyv na prevádzku nástroja. Chránič alebo iná časť, ktorá je poškodená, musí byť správne opravená alebo vymenená v autorizovanom servisnom stredisku, pokiaľ nie je uvedené inak v tejto príručke.
- V pravidelných intervaloch kontrolujte upevňovacie skrutky čepele a motora na správne dotiahnutie. Tiež vizuálne skontrolujte poškodenie čepele (napr. ohnutie, prasknutie a opotrebovanie). Vymeňte čepeľ len za čepeľ EGO™.
- Vymeňte čepeľ, ak je ohnutá alebo prasknutá. Nevývážená čepeľ spôsobuje vibrácie, ktoré by mohli poškodiť motorovú pohonnú jednotku, alebo spôsobiť zranenie.
- V prípade, že nástroj začne nezvyčajne vibrovať, vypnite motor a ihneď zistite príčinu. Vibrácie zvyčajne upozorňujú na problém.
- Nožnice sa používajú na odrezanie stoniek s priemerom menším ako 33 milimetrov.
- Strihajte len za denného svetla alebo pri dobrom umelom osvetlení.
- Pred údržbou, čistením alebo odstraňovaním materiálu z nožnic vyberte, alebo odpojte batériu.
- Neumývajte s hadicou; zabráňte tomu, aby sa voda dostala do motora a elektrických pripojiek.
- Pri servise používajte iba identické náhradné diely uvedené v tomto návode. Použitie dielov, ktoré nespĺňajú špecifikácie originálneho vybavenia, môže spôsobiť nekvalitný výkon a ohrozenie bezpečnosti.
- Dodržujte pokyny pre mazanie a výmenu príslušenstva.
- Udržujte rukoväte suché, čisté, bez oleja a maziva.
- Odložte si tieto pokyny. Používajte ich často a poučte o používaní pokynov aj ostatných, ktorí môžu tento nástroj používať. Ak požičiate tento nástroj niekomu inému, požičajte mu aj tieto pokyny, aby sa zabránilo zneužitiu výrobku a prípadným zraneniam.

TECHNICKÉ ÚDAJE

Číslo modelu	HT5100E	HT6500E
Napätie	56 V	56 V
Rýchlosť naprázdno	Vysoký	1600 /min
	Nízky	1400 /min
Odporúčaná prevádzková teplota:	0 °C ~ 40 °C	
Odporúčaná skladovacia teplota:	- 20 °C ~ 70 °C	
Dĺžka čepele	51 cm	65 cm
Rezná kapacita	33 mm	33 mm
Hmotnosť (bez akumulátora)	3,6 kg	3,8 kg
Hladina akustického výkonu L _{WA}	90 dB(A) K = 1,55 dB(A)	91,45 dB(A) K = 1,08 dB(A)
Hladina akustického tlaku v pozícii obsluhy L _{PA} K = 2,5 dB(A)	81,5 dB(A)	81,4 dB(A)
Garantovaná hladina akustického výkonu L _{WA} (meraná podľa 2000/14/EC)	92 dB(A)	93 dB(A)
Vibrácie a _h K = 1,5 m/s ²	Predná rukoväť	3,369 m/s ²
	Zadná rukoväť	3,115 m/s ²

SK

- Uvádzaná celková hodnota vibrácií bola meraná v súlade so štandardnou skúšobnou metódou a môže byť použitá na porovnanie jedného zariadenia s iným;
- Uvádzaná celková hodnota vibrácie sa môže použiť aj na prebežný odhad expozície.

POZNÁMKA: Emisia vibrácií pri skutočnom používaní náradia sa môže odlišovať od deklarovanej hodnoty, pri akej sa nástroj používa; Za účelom ochrany obsluhy má používateľ v skutočných podmienkach použitia nosiť rukavice a ochranu sluchu.

OBSAH BALENIA

NÁZOV DIELU	MNOŽSTVO
Nožnice na živý plot	1
Kryt	1
Návod na obsluhu	1

ODLOŽTE SI TIETO POKYNY!

POPIS

SPOZNAJTE VAŠE NOŽNICE NA ŽIVÝ PLOT (obr. A)

1. Tlačidlo na uvoľnenie batérie
2. Zadná rukoväť
3. Poistka
4. Zadný páčkový spínač
5. Gombík pre nastavenie rýchlosti
6. Predná rukoväť
7. Predný páčkový spínač
8. Chránič rúk
9. Chránič čepele
10. Čepeľ
11. Chránič hrotu
12. Západka
13. Elektrické kontakty
14. Montážny otvor
15. Vysunovací mechanizmus
16. Poistka pre rukoväť
17. Kryt motora
18. Kryt

SK

VAROVANIE: Tento výrobok sa dodáva kompletne zmontovaný. Ochranný kryt ruky sa počas používania nesmie nikdy odstrániť. Ak je poškodený, ihneď ho nechajte vymeniť kvalifikovaným servisným technikom.

VAROVANIE: Bezpečné používanie tohto výrobku vyžaduje pochopenie informácií o nástroji, pochopenie tohto návodu na obsluhu, ako aj znalosti o práci, ktorú sa pokúšate vykonávať. Pred použitím tohto výrobku sa oboznámte so všetkými prevádzkovými funkciami a bezpečnostnými pravidlami.

OBSLUHA

VAROVANIE: Nedovoľte, aby ste sa po zoznámení s týmto výrobkom stali neopatrnými. Zapamätajte si, že zlomok sekundy neopatrnosti postačuje na spôsobenie vážneho poranenia.

VAROVANIE: Vždy používajte ochranu zraku s bočnými ochrannými štítkami spolu s ochranou sluchu. Ak tak neurobíte, môže dôjsť k vyvršteniu predmetov do očí a iným možným vážnym zraneniam.

VAROVANIE: Aby sa zabránilo náhodnému spusteniu, ktoré by mohlo viesť k vážnemu zraneniu, vždy vyberte batériu z nástroja pri montáži dielov, vykonávaní úprav, čistení, alebo keď sa nepoužíva.

VAROVANIE: Nepoužívajte žiadne prídavné zariadenia alebo príslušenstvo, ktoré nie je odporúčané spoločnosťou EGO™. Používanie prídavných zariadení alebo príslušenstva, ktoré nie sú odporúčané, môže viesť k vážnemu zraneniu.

Pred každým použitím skontrolujte celý výrobok na poškodené, chýbajúce alebo uvoľnené diely, ako sú skrutky, matice, uzávery atď. Utiahnite všetky upevňovacie prvky a uzávery a nepoužívajte tento výrobok, kým nie sú vymenené všetky chýbajúce alebo poškodené diely.

POUŽITIE

Tento výrobok môžete použiť na strihanie živých plotov, krovia a kríkov s priemerom vetiev menším ako Ø33 mm.

POZNÁMKA: Nástroj sa musí používať len na predpísané účely. Každé iné použitie sa považuje za prípad zneužitia.

INŠTALÁCIA / VYBRATIE AKUMULÁTORA

Nabíte pred prvým použitím.

Inštalácia (obr. B)

Zarovnajte výčnelky na batérii s montážnymi drážkami a zatlačte akumulátor nadol, kým nebudete počuť „cvaknutie“.

Demontáž (obr. C)

Stlačte tlačidlo pre uvoľnenie batérie a vytiahnite ju von.

VAROVANIE: Vždy majte na pamäti umiestnenie vašich nôh, polohu detí, či zvierat pri stlačení tlačidla pre uvoľnenie batérie. Mohlo by dôjsť k vážnemu zraneniu v prípade vypadnutia akumulátora. NIKDY nevyberajte batériu vo vysokej polohe.

SPUSTENIE / ZASTAVENIE NOŽNÍC NA ŽIVÉ PLOTY

Pred uvedením do prevádzky zložte chránič čepele a držte nožnice oboma rukami, pričom jednu ruku majte na zadnej rukoväti a druhú na prednej rukoväti. Potom si skontrolujte vyvážené postavenie, vzpriamený postoj a správnu rezáciu vzdialenosť.

VAROVANIE: Vždy majte obe ruky na rukovätiach nožnic na živý plot. Nikdy nepriodriavajte kríky s jednou rukou, pričom druhou rukou by ste chceli ovládať nožnice na živý plot. Nerešpektovanie tohto upozornenia môže viesť k vážnemu zraneniu.

Spustenie

Stlačte poistku diaľou a potom zatlačte zadný spínač hore. So stlačeným zadným spínačom pokrúžajte stlačením predného páčkového spínača pre spustenie.

Zastavenie

Uvoľnite niektorý z páčkových spínačov pre zastavenie.

POZNÁMKA: Ak chcete zapnúť nožnice na živý plot, musia byť obe páčkové spínače stlačené.

POUŽÍVANIE NOŽNÍC NA ŽIVÉ PLOTY

VAROVANIE: Ak sa čepeľ zasekne na akomkoľvek elektrickom kábli alebo vedení, **NEDOTÝKAJTE SA ČEPELE! MÔŽE BYŤ POD NAPÄTÍM A BYŤ VEĽMI NEBEZPEČNÁ.** Držte ďalej nožnice na živý plot za izolovanú zadnú rukoväť alebo ich bezpečným spôsobom položte dole a smerom od vás. Pred pokusom o uvoľnenie čepele z vedenia alebo kábla odpojte elektrické napájanie poškodeného vedenia alebo kábla. Nerešpektovanie tohto upozornenia môže viesť k vážnemu zraneniu alebo smrti.

VAROVANIE: Aby nedošlo k vážnemu zraneniu, udržiavajte ruky mimo dosahu čepeľí. Nepokúšajte sa odstraňovať rezaný materiál, alebo ho nepridržiavajte, keď sú čepele v pohybe. Pred odstraňovaním zaseknutého materiálu z čepeľí sa uistite, že sa čepele úplne zastavili a batéria bola vybratá. Nechytajte obnažené rezné čepele pri zdvíhaní alebo držaní nástroja.

VAROVANIE: Pred každým použitím vyčistite oblasť, ktorá má byť rezaná. Odstráňte všetky predmety, ako sú napríklad káble, svetlá, drôty, šnúry, ktoré by sa mohli zapliesť do rezacej čepele a ktoré vytvárajú riziko vážneho zranenia.

VAROVANIE: Neorezávajúce príliš veľa materiálú naraz alebo príliš husté krovie. Môže to spôsobiť spomalenie a uviaznutie čepeľí, čím sa zníži výkonnosť rezania.

POZNÁMKA: Pre mladý nárast je vhodný pohyb ako pri širokom zamataní, ktoré privádza vetvičky priamo do reznej čepele. Pre starší nárast je dobrý pohyb ako pri rezaní, ktoré orezáva silnejšie stonky. Na prvotné orezanie veľkých vetiev je vhodná ručná alebo prerézavacia píla.

Horné orezávanie

Použite široký zamatací pohyb. Mierny sklon rezacej čepele smerom nadol v smere pohybu poskytuje najlepšie výsledky rezania. Pre lepší rezný efekt môžete tiež použiť špagát na vedenie nožnic vo vodorovnom smere, ako je znázornené na obr. D.

Bočné orezávanie

Pri strihaní bočnej strany živého plotu začnite dole a režte smerom hore ako na obr. E1 alebo E2.

Dôkladné rezanie

Zadnú rukoväť nožnic na živý plot možno nastaviť do piatich polôh ($0^\circ/\pm 45^\circ/\pm 90^\circ$) vyťahnutím západky (obr. F1 až obr. F5). Ak je nutné dôkladné orezanie, nastavte zadnú rukoväť na $\pm 45^\circ$ (obr. F2 a F4) pre orezanie.

VAROVANIE: Ak sa nastavuje rukoväť, rezacia čepeľ nesmie byť spustená.

POZNÁMKA: Pri práci musí rukoväť vždy smerovať nahor bez ohľadu na nasmerovanie nožnic na živý plot.

Chránič hrotu

Chránič hrotu (obr. G) sa používa na ochranu vonkajšej strany čepele.

Chránič čepele

Vonkajšia časť čepele je tvarovaná ako chrániče čepele (obr. H).

H-1	Čepeľ
H-2	Chránič čepele

VAROVANIE: Vždy skontrolujte, či chránič čepele nie je poškodený alebo deformovaný. Vymeňte ho, ak je ohnutý alebo poškodený.

ÚDRŽBA

VAROVANIE: Pri servise používajte iba identické náhradné diely. Použitie iných častí môže vyvolať nebezpečenstvo, alebo spôsobiť poškodenie výrobku. Pre zaistenie bezpečnosti a spoľahlivosti je nevyhnutné, aby všetky opravy vykonával len kvalifikovaný servisný technik.

VAROVANIE: Pri čistení alebo vykonávaní údržby vždy vyberte batériu z výrobku, aby nedošlo k vážnemu zraneniu.

ČISTENIE

- Použite mäkkú kefu na odstránenie nečistôt zo všetkých vstupov vzduchu a z čepele.
- Ak chcete odstrániť živicu a iné lepidlo zvyšky, nasprejujte čepele rozpúšťadlom na živice. Spustite motor na krátky čas, aby sa rozpúšťadlo rovnomerne rozptýlilo.
- Povrch poutierajte suchou handrou.

VAROVANIE: Nikdy nepoužívajte vodu na čistenie nožníc. Na čistenie plastových dielov nepoužívajte rozpúšťadlá. Väčšina plastov je náchylná na poškodenie z rôznych typov komerčných rozpúšťadiel. Použite čisté handry na odstránenie nečistôt, prachu, oleja, maziva, atď.

NAOSTRENIE REZACEJ ČEPELE

1. Vyberte batériu z nožnic na živý plot.
2. Upevnite zostavu čepele do zveráka a opilujte odhalenú reznú plochu každého čepeľového zuba. Odstráňte čo najmenej materiálu, ako je možné.
3. Vyberte nožnice na živý plot zo zveráku a nastavte si ďalšiu časť odhalenej nenaostrejenej čepele. Opakujte vyššie uvedený postup, kým nie sú všetky čepeľové zuby naostrené.

POZNÁMKA: Nepoužívajte nožnice na živý plot, ak sú rezné čepele tupé alebo poškodené. Môže to spôsobiť preťaženie a neuspokojivé výsledky rezania.

MAZANIE ČEPELE

Pre dosiahnutie čo najlepšej prevádzky a dlhšej životnosti čepele namažte nožnice na živý plot s ľahkým strojným olejom pred a po každom použití.

SK

Vyberte akumulátor a položte nožnice na rovny povrch. Naneste olej pozdĺž okraja hornej čepele ako na.

POZNÁMKA: Pri dlhšom nepretržitom používaní priebiežne olejujte čepeľ.

VAROVANIE: Neolejujte, ak sú nožnice v prevádzke.

MAZANIE PREVODOVEJ SKRINE

Pre najlepšiu prevádzku a dlhšiu životnosť mažte prevodovú skriňu nožníc na živý plot špeciálnym mazivom (zakaždým približne 5-6 g v #1 a 10-12 g v #2) po každých 25 hodinách prevádzky.

POZNÁMKA: Požiadajte o pomoc miestneho predajcu služieb ego.

Špeciálne mazivo musí spĺňať nasledujúce požiadavky:

1. Patrí do DIN51818: Stupeň kužeľovej penetrácie NLGI-2.
2. Skladá sa z polymočovinového zahusťovadla + syntetického mazacieho oleja.
3. Vynikajúce spúšťanie pri nízkych teplotách, EP, mechanický strih, odolnosť proti oderu a vlastnosti oxidačnej stability.
4. Prevádzková teplota musí byť od - 40 do 180 ° C.

PREPRAVA A SKLADOVANIE

- Pred skladovaním alebo prepravou nožníc na živý plot vždy nasadte chránič čepele. Buďte opatrní, aby nedošlo ku kontaktu s ostrými čepeľovými zubmi.
- Pred skladovaním dôkladne vyčistite nožnice na živý plot.
- Nožnice na živý plot skladujte v interiéri, na suchom mieste, ktoré je neprístupné deťom.
- Chráňte pred agresívnymi látkami, ako sú záhradné chemikálie a rozmrazovacie soli.

VAROVANIE: Čepele sú ostré. Pri manipulácii so zostavou čepele používajte protišmykové, odolné ochranné rukavice. Nedávajte ruky alebo prsty medzi čepele, alebo na žiadne miesto, kde by mohli byť zovreté alebo porezané. NIKDY sa nedotýkajte čepele, alebo neopravujte prístroj s vloženým akumulátorom.

Ochrana životného prostredia



Nevyhadzujte elektrické zariadenia, nabíjačku batérií a batérie / akumulátory do domového odpadu!

Podľa európskej smernice 2012/19/EU elektrické a elektronické zariadenia, ktoré už nie sú použiteľné a podľa európskej smernice 2006/66/EC chybné alebo použité akumulátory / batérie sa musia zhromažďovať oddelene.

AK sú elektrické spotrebiče likvidované na neorganizovaných skládkach alebo smetiskách, môžu nebezpečné látky unikať do podzemných vôd, dostať sa do potravinového reťazca a poškodzovať zdravie.

ODSTRAŇOVANIE PROBLÉMOV

PROBLÉM	PRÍČINA	RIEŠENIE
Nožnice na živý plot nefungujú	<ul style="list-style-type: none"> ■ Akumulátor nie je pripojený do nožnic na živý plot. 	<ul style="list-style-type: none"> ■ Pripojte akumulátor do nožnic na živý plot.
	<ul style="list-style-type: none"> ■ Žiadny elektrický kontakt medzi nožnicami a batériou 	<ul style="list-style-type: none"> ■ Vyberte batériu, skontrolujte kontakty a nainštalujte akumulátor.
	<ul style="list-style-type: none"> ■ Akumulátor je vybitý. 	<ul style="list-style-type: none"> ■ Nabite akumulátor.
	<ul style="list-style-type: none"> ■ Akumulátor je príliš horúci. 	<ul style="list-style-type: none"> ■ Vyberte akumulátor z náradia a nechajte ho vychladnúť, kým teplota neklesne pod 67 ° C.
	<ul style="list-style-type: none"> ■ Nožnice na živý plot sú prehriate. 	<ul style="list-style-type: none"> ■ Pustite obe páčkové spínače; nechajte nožnice vychladnúť, kým teplota neklesne pod 77 ° C.
	<ul style="list-style-type: none"> ■ Obe páčkové spínače nie sú súčasne stlačené. 	<ul style="list-style-type: none"> ■ Naraz stlačte páčkové spínače na prednej a zadnej rukoväti.
	<ul style="list-style-type: none"> ■ Čepeľ sa zasekla. 	<ul style="list-style-type: none"> ■ Vyberte akumulátor z nástroja, opatrne odstráňte prekážku, potom vložte akumulátor a reštartujte nástroj.
Nadmerné vibrácie alebo hluk	<ul style="list-style-type: none"> ■ Suché alebo skorodované čepele. 	<ul style="list-style-type: none"> ■ Namažte čepele podľa postupu „MAZANIE ČEPELE“ v tomto návode.
	<ul style="list-style-type: none"> ■ Čepele alebo podpera čepele sú ohnuté. 	<ul style="list-style-type: none"> ■ Vymeňte za novú čepeľ alebo podperu. Informujte sa v servisnom stredisku EGO ohľadne výmeny čepeľí a podpery, podrobnosti nájdete.
	<ul style="list-style-type: none"> ■ Ohnuté alebo poškodené zuby. 	<ul style="list-style-type: none"> ■ Vymeňte za novú čepeľ. Informujte sa v servisnom stredisku EGO ohľadne výmeny čepele, podrobnosti nájdete.
	<ul style="list-style-type: none"> ■ Uvoľnené skrutky čepeľí. 	<ul style="list-style-type: none"> ■ Uťahnite čepeľové skrutky. Skrutky utiahnite pomocou kľúča v smere hodinových ručičiek.

SK

ZÁRUKA

ZÁRUČNÁ POLITIKA EGO

Navštívte webové stránky egopowerplus.com pre úplné podmienky záručnej politiky spoločnosti EGO.

OLVASSA EL AZ ÖSSZES UTASÍTÁST!



OLVASSA EL A HASZNÁLATI UTASÍTÁST

⚠ Maradék kockázat! Az elektronikus készülékekkel, például pacemakerrel, élő emberek a termék használata előtt kérjék ki orvos véleményét. Az elektromos felszerelés a szív pacemakerhez közel való működtetése interferenciát vagy meghibásodást okozhat a pacemakerben.

⚠ FIGYELMEZTETÉS: A biztonságosság és megbízhatóság biztosítása érdekében minden javítást szakképzett szerviztechnikus hajtson végre.

BIZTONSÁGI SZIMBÓLUMOK

A biztonsági szimbólumok célja, hogy felhívják a figyelmet az esetleges veszélyekre. Nagyon figyeljen a biztonsági szimbólumokra és magyarázatokra, ill. ezek megértésére. A szimbólumok figyelmeztetései önmagukban nem hártják el a veszélyeket.

Az utasítások és figyelmeztetések nem helyettesítik a megfelelő balesetmegelőző intézkedéseket.

⚠ FIGYELMEZTETÉS: A szerszám használata előtt feltétlenül olvassa el a jelen használati útmutató minden biztonsági utasítását, a „VESZÉLY”, „FIGYELMEZTETÉS” és „FIGYELEM” biztonsági szimbólumokat is. Az alább felsorolt utasítások be nem tartása áramütést, tűzveszélyt és/vagy súlyos személyi sérülést idézhet elő.

HU

SZIMBÓLUM JELENTÉSE

BIZTONSÁGI SZIMBÓLUM: VESZÉLY vagy **FIGYELMEZTETÉST** jelöl. Más szimbólumokkal vagy rajzokkal együtt használható.

⚠ FIGYELMEZTETÉS: Bármely elektromos kéziszerszám működtetése azzal járhat, hogy idegen tárgyak szembe kerülnek, amely súlyos szemsérüléseket okozhat. Az elektromos kéziszerszám működtetése előtt, mindig vegyen fel oldalsó védőlemezrel ellátott védőszemüveget és a teljes védőálarcot, ha szükséges. Javasoljuk, hogy viseljen széles látóterű biztonsági maszkot (védőálarc) a védőszemüveg fölött vagy standard védőszemüveget oldalsó védőlemezrel.

BIZTONSÁGI UTASÍTÁSOK

Ezen az oldalon olyan biztonsági szimbólumok láthatók és olvashatók, amelyek megjelenhetnek a terméken. Az összeszerelés vagy működtetés előtt olvassa el, értse meg és tartsa be a gép minden utasítását.

	Biztonsági figyelmeztetés	Potenciális személyi sérülés veszélyét jelzi.
	Olvassa el a használati útmutatót	A sérülések kockázatának csökkentése érdekében a használatnak el kell olvasnia a használati útmutatót.
	Ne tegye ki eső hatásának	FIGYELMEZTETÉS: Ne használja esőben, és hagyja kint, ha esik az eső.
	Kés hosszúsága	Penge hossza
	Vágási kapacitás	A penge max. vágási kapacitása
V	volt	Feszültség
A	amper	Aktuális
Hz	hertz	Frekvencia (ciklusok másodpercenként)
W	watt	Teljesítmény
min	perc	Idő
	Váltakozó áram	Áram típusa
	Egyenáram	Áram típusa vagy jellemzői
n_0	Üresjárat fordulatszám	Forgási sebesség üresjáraton
... /min	Percenként	Fordulat percenként
SPM	Percenkénti löketség	Löklet sebessége üresjáraton

AZ ELEKTROMOS SZERSZÁMOKRA VONATKOZÓ ÁLTALÁNOS BIZTONSÁGI FIGYELMEZTETÉSEK

⚠ FIGYELMEZTETÉS: Olvassa el az összes biztonsági figyelmeztetés és az összes utasítást. Amennyiben nem követi a figyelmeztetéseket és utasításokat, áramütést, tüzet és/vagy súlyos sérülést okozhat.

Őrizz meg minden figyelmeztetést és utasítást, hogy később is elő tudja majd venni.

Az „elektromos kéziszerszám” megnevezés a figyelmeztetésekben egyaránt vonatkozik a hálózati feszültségről meghajtott elektromos kéziszerszámokra (hálózati vezetékkel rendelkező elektromos kéziszerszámok), valamint az akkumulátorról működtetett elektromos kéziszerszámokra (hálózati vezeték nélküli elektromos kéziszerszámok).

MUNKATERÜLET BIZTONSÁG

- **A munkaterület legyen tiszta és jól megvilágított.** A munkahelyen uralkodó rendtelenségnek vagy a rossz megvilágításnak baleset lehet a következménye.
- **Ne használjon elektromos szerszámokat robbanási veszélynek kitétt környezetben, például olyan helyen, ahol éghető folyadékok, gázok vagy porok találhatóak.** Az elektromos kéziszerszámok szikrákat képeznek, amelyek meggyújthatják a porokat vagy gázokat.
- **Az elektromos kéziszerszám üzemeltetése közben tartsa távol a gyermekeket és a nézelődőket.** Ha megzavarják, elveszítheti uralmát a készülék felett.

ELEKTROMOS BIZTONSÁG

- **Vtíci elektríčnih orodij se morajo prilegati vtíčnicam. Vtíča nikoli ne smete spreminjati na kakršnen koli način.** O zemljenjimi elektrícnimi orodjji ne uporabljajte spreminjenega vtíča. Nespremenjeni vtíči in pripadajoče vtíčne bode zmanjšali tveganje elektríčne udara.
- **Kerülje el földelt felületek, mint pl. csövek, fűtőtestek, tűzhelyek vagy hűtőszekrények érintését.** Az áramütés kockázata nagyobb, ha a teste le van földelve.
- **Ne tegye ki az elektromos kéziszerszámot esőnek vagy nedves környezetnek.** Az elektromos kéziszerszámba bekerülő víz megnöveli az áramütés kockázatát.
- **Kabla ne uporabljajte za neustrezne namene. Kabla ne uporabljajte za nošenje, vlečenje ali odklapanje počinlika. Kabel hranite stran od vročine, olja, ostrih robov ali premikajočih se delov.** Poškodovani ali zapleteni kabli zvišujejo tveganje elektríčne udara.
- **Ha az elektromos kéziszerszámot a szabadban használja, akkor erre a célra kialakított hosszabbító vezetékét alkalmazzon.** A szabadterén használható kábel alkalmazása csökkenti az áramütés kockázatát.
- **Ha elkerülhetetlen az elektromos kéziszerszám használata nedves helyen, használjon földelő áramkörti megszakítóval ellátott tápellátást.** A GFCI használata csökkenti az áramütés veszélyét.

SZEMÉLYI BIZTONSÁG

- **Legyen figyelmes, ügyeljen arra, amit csinál, és jőzzen ésszel fogjon a munkához, ha elektromos kéziszerszámot használ.** Ne használjon elektromos kéziszerszámot, ha fáradt, kábítószert, alkoholt vagy gyógyszer befolyása alatt áll. Az elektromos kéziszerszám üzemeltetése közben egy pillanatnyi figyelmetlenség is súlyos személyi sérülést okozhat.
- **Használjon személyi védőfelszerelést. Mindig viseljen védőszemüveget.** A védőfelszerelések, mint például porvédő maszk, csúszásmentes lábbeli, sisak és hallásvédő, rendeltetéseszerű használata révén elkerüli a sérülési veszélyeket.
- **Akadályozza meg a véletlen indítást. Ügyeljen arra, hogy a kapcsoló kikapcsolt állásban legyen, mielőtt tápforrásra és/vagy akkumulátoregységre csatlakoztat, felveszi vagy viszi a szerszámot.** Balesetekhez vezethet, ha a hálózatra csatlakoztatott szerszámot úgy viszi, hogy közben az ujjja a bekapcsoló gombon van, vagy ha a hálózati csatlakozódugót olyankor dugja be az aljzatba, amikor be van kapcsolva a szerszám.
- **Vegye ki a szerszámkulcsot és a beállító szerszámot, mielőtt az elektromos kéziszerszámot bekapcsolná.** Az elektromos kéziszerszám mozgó alkatrészén felejtett csavar kulcs vagy szerszám személyi sérülést okozhat.
- **Ne hajoljon a gép fölé. Vegyen fel stabil testhelyzetet, és mindig tartsa meg az egyensúlyát.** Ezáltal jobban tudja irányítani az elektromos kéziszerszámot a legváratlanabb helyzetben is.
- **Viseljen megfelelő ruhát. Ne viseljen laza ruházatot vagy ékszereket. Tartsa távol haját, ruházatát és kesztyűjét a mozgó alkatrészekről.** A laza ruházatot, az ékszert vagy a hosszú hajat becsíphetik a mozgó alkatrészek.
- **Ha az elektromos kéziszerszámot porfelszívó vagy porfelfogó eszközzel szerelik fel, akkor győződjön meg arról, hogy ezek előírászerűen vannak-e csatlakoztatva, és használja őket a rendeltetésüknek megfelelően.** Porgyűjtő használata csökkentheti a porral járó veszélyeket.

A KÉZI SZERSZÁMGÉP ÜZEMELTETÉSE ÉS GONDOZÁSA

- **Ne terhelje túl az elektromos kéziszerszámot.** A munkájához használja az arra alkalmas elektromos kéziszerszámot. A megfelelő elektromos kéziszerszámmal jobban és biztonságosabban dolgozhat a megadott teljesítményhatárokon belül.

- Ne használja az elektromos kéziszerszámot, ha nem lehet a bekapcsoló segítségével be- vagy kikapcsolni. Az olyan elektromos kéziszerszám, amely nem irányítható a kapcsolóval, veszélyes és javításra szorul.
- Húzza ki a hálózati csatlakozó dugót az aljzatból, mielőtt beállításokat végezne, tartozékok cserélné vagy az elektromos kéziszerszámot félretenné. Az ilyen megelőző biztonsági óvintézkedések csökkentik az elektromos kéziszerszám véletlen beindításának kockázatát.
- A használaton kívüli elektromos kéziszerszámokat gyermekektől távol tárolja, és ne engedje meg, hogy olyan személyek használják az elektromos kéziszerszámot, akik nem ismerik azt, vagy nincsenek tisztában ezekkel a biztonsági utasításokkal. Az elektromos kéziszerszámok veszélyt jelentenek a gyakorlatlan felhasználó kezében.
- Gondosan ápolja az elektromos kéziszerszámot. Ellenőrizze a mozgó részek beállítását és rögzítését, vizsgáljon meg minden részt, nem sérült-e, és ellenőrizze, nem állnak-e fenn olyan körülmények, amelyek befolyásolhatják az elektromos kéziszerszámok helyes kezelését. Használat előtt javíttassa meg a sérült elektromos kéziszerszámot. A rosszul karbantartott elektromos kéziszerszámok sok balesetet okoznak.
- A vágószerszámok legyenek mindig élesek és tiszták. A megfelelően karbantartott és kiélezett vágószerkezettel rendelkező vágószerszámok kevésbé hajlamosak az elgömböülésre, valamint könnyebben kezelhetők.
- Az elektromos kéziszerszámot, tartozékok, vágóféléteket, stb. mindig ezen biztonsági utasításoknak megfelelően használja, mindig vegye figyelembe a munkakörülményeket, és legyen tekintettel a megmunkálendő munkadarabra. Az elektromos kéziszerszámoknak az előírt rendeltetési céltól eltérő célra való használata veszélyes.

AZ AKKUMULÁTORRAL MŰKÖDŐ SZERSZÁM ÜZEMELTETÉSE ÉS GONDZÁSA

- Csak a gyártó által meghatározott töltőt használja. Az olyan töltő, amely egy típusú akkumulátoregységhez alkalmas, tűzveszélyt okozhat, ha más típusú akkumulátoregységhez használja.
- Az elektromos kéziszerszámokat csak speciálisan meghatározott akkumulátoregységekkel használja. Bármely más akkumulátoregység használata sérülés- vagy tűzveszélyt okozhat.
- Amikor nem használja az akkumulátoregységet, tartsa távol más fémtárgyaktól, például gemkapocs, érmék, kulcsok, tűk, csavarok vagy más kis fémtárgyak, amelyek kapcsolatba léphetnek vele. Amennyiben együtt tartja az akkumulátorokat, az égési sérülést vagy tüzet okozhat.

- Nem megfelelő körülmények között folyadék szivároghat az akkumulátorból; ne érjen ehhez. Amennyiben véletlenül hozzáérne, mossa le vízzel. Ha ez a folyadék szembe kerül, kiegészítőleg forduljon orvoshoz. Az akkumulátorból kiszivárgó folyadék irritációt vagy égést okozhat.

SZERVIZ

- Az elektromos kéziszerszámot szakképzett személyel, eredeti cserealkatrész felhasználásával javíttassa meg. Ezzel biztosítja az elektromos kéziszerszám biztonságának fenntartását.

A SÖVÉNYNYÍRÓRA VONATKOZÓ BIZTONSÁGI FIGYELMEZTETÉSEK

- Tartsa távol testének minden részét a vágólaptól. Ne távolítsa el a vágott anyagot, és ne tartsa a vágandó anyagot, amíg a lapok mozgásban vannak. Ne feledje kikapcsolni a szerszámot, ha beszorult anyagot kell kivenni. A sövényvágó használata közben egyetlen pillanatnyi figyelmetlenség is komoly sérülésekhez vezethet.
 - A fogantyújánál fogva vigye a sövénynyíró, miután a vágólap mozgása már leállt. A sövénynyíró szállításkor vagy tároláskor mindig helyezze fel a vágószerzám borítást. A sövénynyíró megfelelő kezelése csökkenti a vágólapok okozta személyi sérülések veszélyét.
 - Tartsa ez elektromos kéziszerszámot a szigetelt tartófelületeknél, mivel a fűrészlánc burkolat alatti vezetéket érinthet. A „feszültség” alatti vezetékkel érintkező fűrészláncok „feszültség” alá helyezhetik az elektromos kéziszerszám burkolat nélküli fémrészeit, és a gépkezelő áramütést szenvedhet.
 - Tartsa távol a kábelt a vágási területtől. Használat közben előfordulhat, hogy a kábel nem látható a sövényben, és azt véletlenül elvághatja a lap.
 - Működtetés előtt ellenőrizze, hogy nincsenek-e idegen tárgyak a sövénynyíró közelében, pl. drótkerítés.
 - A sövénynyíró csak felszerelt védőburkolattal használja. A sövénynyíró használata a megfelelő védőburkolat nélküli súlyos személyi sérülést okozhat!
 - Használja mindkét kezét, amikor a sövénynyíró működteti. Egy kéz használata esetén elveszítheti az uralmát a sövénynyíró felett, ami súlyos személyi sérülést okozhat.
- ▲ FIGYELMEZTETÉS:** Működtetés előtt ellenőrizze, hogy nincsenek-e idegen tárgyak a sövénynyíró közelében, pl. drótkerítés. A sövénynyíró csak felszerelt védőburkolattal használja. A sövénynyíró használata a megfelelő védőburkolat nélküli súlyos személyi sérülést okozhat!

FONTOS BIZTONSÁGI UTASÍTÁSOK

- Ne használja az akkumulátorral működtetett sövénynyírót esőben.
- Ne töltse az akkumulátoregységet esőben vagy nedves helyiségekben.
- Csak az A.ábrán felsorolt akkumulátoregységeket és töltőket használja.
- Ne fogja meg a vágópengéket vagy a pengék végét, amikor felveszi, vagy tartja a sövénynyírót.
- Ne használja létrán, tetőn, fán vagy más instabil tartón. Stabil testhelyzetben, szilárd felületen jobban irányítása alatt tudja tartani a sövénynyírót váratlan helyzetekben.
- Soha ne engedje, hogy gyermekek üzemeltessék a sövénynyírót.
- Soha ne vegye le, és ne módosítsa a biztonsági eszközöket. Rendszeresen ellenőrizze, hogy megfelelően működnek-e. Soha ne csináljon olyasmit, ami zavarhatja a biztonsági berendezés funkcióját, vagy csökkenti a biztonsági berendezés általi védelmet.
- Soha ne működtesse a sövénynyírót megfelelő védőburkolat vagy más védelmi eszközök nélkül.
- A sövénynyíró további használata előtt ellenőrizze a sérült alkatrészeket. A sérült védőburkolatot vagy alkatrészt gondosan ellenőrizze, hogy megállapítsa, megfelelően működik-e, és a funkciójának megfelelő teljesítményt nyújtja-e. Ellenőrizze a mozgó részek beállítását és rögzítését, vizsgáljon meg minden részt, nem sérült-e, és ellenőrizze, nem állnak-e fenn olyan körülmények, amelyek befolyásolhatják a helyes kezelést. Megfelelő módon javíttassa meg vagy cseréltesse ki egy hivatalos szervizközpontban a sérült védőburkolatot vagy más alkatrészt, ha másként nincs feltüntetve a jelen használati útmutatóban.
- Rendszeres időközönként ellenőrizze a peng és a motor alátéteit, hogy megfelelően szorosak-e. Szemrevételezéssel is ellenőrizze a penge sérülését (pl. behajlott, megrepedt és elkopott). A pengét csak az EGO™ pengéjével cserélje ki.
- A pengét cserélje ki, ha behajlott, vagy megrepedt. A kiegyensúlyozatlan penge vibrációt okoz, amely megrongálhatja a motoregységet, vagy személyi sérülést okozhat.
- Ha a felszerelés rendellenesen vibrálni kezd, akkor azonnal állítsa le a motort, és ellenőrizze az okot. A vibráció általánosságban problémára figyelmeztet.
- A sövénynyírót 33 mm-nél vékonyabb száraz vágáshoz használja.
- Csak nappali világosságnál vagy megfelelő mesterséges megvilágítás mellett nyírjon.
- A sövénynyíró szervizelése, tisztítása vagy anyagok eltávolítása előtt vegye ki, vagy húzza ki az akkumulátort.

- Ne mossa tömlővel; ne kerüljön víz a motorba és az elektromos csatlakozásokba.
- Javításkor használjon azonos, a jelen használati útmutatóban felsorolt pótalkatrészeket. Az olyan alkatrészeket használata, amelyek nem felelnek meg az eredeti felszerelés műszaki adatainak, nem megfelelő teljesítményt eredményeznek, és befolyásolják a biztonságot.
- Tartsa be a tartozékok olajozására és cseréjére vonatkozó utasításokat.
- Tartsa szárazon, tisztán, olajtól és zsírtól mentesen a fogantyúkat.
- Őrizze meg ezeket az utasításokat. Időnként olvassa át, és használja, amikor másokat a kéziszerszám használatára tanít be. Ha valakinek kölcsön adja a szerszámot, akkor adja át a használati utasítást is a helytelen használat és lehetséges sérülések elkerülése érdekében.

ŐRIZZE MEG EZEKET AZ UTASÍTÁSOKAT!

MŰSZAKI ADATOK

Modell	HT5100E	HT6500E
Feszültség	56 V	56 V
Üresjárat fordulatszám	Magas	1600 /min
	Alacsony	1400 /min
Javasolt működési hőmérséklet:	0 °C-40 °C	
Javasolt tárolási hőmérséklet:	-20 °C-70 °C	
Kés hosszúsága	51 cm	65 cm
Vágási kapacitás	33 mm	33 mm
Súly (akkumulátoregység)	3,6 kg	3,8 kg
Mért hangteljesítményszint L_{WA}	90 dB(A) K=1,55 dB(A)	91,45 dB(A) K=1,08 dB(A)
Hangnyomásszint a kezelő pozíciójában L_{PA}	81,5 dB(A) K=2,5 dB(A)	81,4 dB(A)
Mért hangteljesítményszint L_{WA} (a 2000/14/EK szerint mérve)	92 dB(A)	93 dB(A)
Vibráció a_{hv} K=1,5 m/s ²	Elülső fogantyú	3,369 m/s ²
	Hátsó fogantyú	1,876 m/s ²
		5,313 m/s ²
		3,115 m/s ²

- A névleges rezgési összérték mérése standard bevizsgálási módszerrel történt, és használatával a szerszámok egymással összehasonlíthatók.

- A névleges rezgési érték a kockázat előzetes felméréséhez is felhasználható.

MEGJEGYZÉS: A rezgés kibocsátás az elektromos szerszám aktuális használata közben elterhet attól a névleges értéktől, amellyel a szerszámot használják: a kezelő védelme érdekében a használatnak kesztyűt és hallásvédőt kell használnia működtetés közben.

CSONAGOLÁS TARTALMA

ALKATRÉSZ NEVE	MENNYISÉG
Sövénynyíró	1
Pengevédő	1
Használati útmutató	1

LEÍRÁS

ISMERJE MEG A SÖVÉNYNYÍRÓT (A ábra)

1. Akkumulátor kioldógomb
2. Hátsó fogantyú
3. Kikapcsoló trigger
4. Hátsó kapcsolókar
5. Sebességbeállító gomb
6. Elülső fogantyú
7. Elülső kapcsolókar
8. Kézvédő
9. Pengevédő
10. Penge
11. Pengeég-védő
12. Zár
13. Elektromos csatlakozások
14. Szerelőnyílás
15. Kioldó mechanizmus
16. Fogantyú zár
17. Motor burkolat
18. Védőlemez

▲ FIGYELMEZTETÉS: A terméket teljesen összeszerelve szállítjuk. Használat közben soha ne távolítsa el a kézvédőt. Ha megsérült, azonnal cserélje ki szakképzett szerviztechnikus.

▲ FIGYELMEZTETÉS: A termék biztonságos használatához meg kell értenie a szerszámon és a használati útmutatóban lévő információkat, valamint ismernie kell azt a munkát, amelyet el akar végezni. A

termék használata előtt ismerje meg a működési funkciókat és a biztonsági szabályokat.

MŰKÖDTETÉS

▲ FIGYELMEZTETÉS: Ne hagyja, hogy a termékkel szerzett jártassága miatt óvatlanná váljon. Emlékezzon arra, hogy a másodperc tizede alatt történő óvatlanság súlyos sérülést okozhat.

▲ FIGYELMEZTETÉS: Mindig viseljen oldalsó védőlemezrel ellátott védőszemüveget. Amennyiben nem ezt teszi, tárgyak repülhetnek a szemébe, és más komoly sérülések keletkezhetnek.

▲ FIGYELMEZTETÉS: A véletlenszerű indítás elkerülése érdekében, amely súlyos személyi sérülést okozhat, mindig vegye ki az akkumulátoregységet a szerszámból, amikor összeszereli az alkatrészeket, beállításokat, tisztítást végez, vagy amikor nem használja.

▲ FIGYELMEZTETÉS: Ne használjon az EGO™ által nem javasolt tartozékokat. A nem javasolt tartozékok használata súlyos személyes sérülést okozhat.

Minden használat előtt ellenőrizze a terméket, hogy nem sérült-e, nincsenek-e hiányzó vagy laza alkatrészek, például csavarok, anyák, alátétek, sapkák stb. Biztonságosan húzzon meg minden rögzítőt és kupakot, és ne működtesse a terméket, amíg minden hiányzó vagy sérült alkatrész ki nincs cserélve.

ALKALMAZÁS

A terméket 33 mm-nél kisebb átmérőjű ágakkal rendelkező sövények és bokrok nyírásához használhatja.

MEGJEGYZÉS: A szerszámot csak az előírt célokra használja. Bármilyen más használat helytelen használatnak minősül.

AZ AKKUMULÁTOREGYSÉG FELHELYEZÉSE/ KIVÉTELE

Az első használat előtt tölts fel.

Felhelyezés (B ábra)

Illessze az akkumulátor vázát az akkumulátorban lévő szerelőnyíláshoz, és nyomja le az akkumulátoregységet, amíg kattánást nem hall.

Kivétel (C ábra)

Oldja ki az akkumulátor kioldógombot, és húzza ki az akkumulátoregységet.

▲ FIGYELMEZTETÉS: Mindig ügyeljen a lába alatti területre, gyermekekre vagy kis állatokra, amikor megnyomja az akkumulátor-kioldógombot. Súlyos sérülést okozhat, ha az akkumulátoregység kiesik. SOHA ne vegye ki az akkumulátoregységet magas helyen.

A SÖVÉNYNYÍRÓ INDÍTÁSA/LEÁLLÍTÁSA

Működtetés előtt vegye le a pengevédőt, és tartsa a sövénynyíró két kézzel, az egyik kezével a hátsó fogantyút, a másikkal az elülső fogantyút. Majd ügyeljen a kiegyensúlyozott testhelyzetre, egyenes tartásra és megfelelő vágási távolságra.

▲ FIGYELMEZTETÉS: A sövénynyíró fogantyúit mindig két kézzel tartsa. Soha ne tartsa a sövényt az egyik kezével, és ne működtesse a sövénynyíróat a másik kezével. Amennyiben ezt a figyelmeztetést nem veszi figyelembe, az súlyos sérülést okozhat.

Indítás

A tenyerével nyomja meg a kikapcsoló triggert, majd tolja fel a hátsó kapcsolókart. A megnyomott hátsó kapcsolókkal az indításhoz tartsa lenyomva az elülső kapcsolókat.

Leállítás

A leállításhoz engedje el az egyik kapcsolókart.

MEGJEGYZÉS: Mindkét kapcsolókart be kell nyomni a sövénynyíró indításához.

SÖVÉNYNYÍRÓ HASZNÁLATA

▲ FIGYELMEZTETÉS: Ha a penge elektromos vezetékbe akad, AKKOR NE ÉRJEN A PENGÉHEZ! ELEKTROMOS ÁRAM ALÁ KERÜLHET, ÉS IGEN VESZÉLYES. A sövénynyíró továbbra is a szigetelt hátsó fogantyúnál tartsa, vagy Öntől távol biztonságosan tegye le. Mielőtt megpróbálja kiszabadítani a pengét a vezetékből, válassza le az elektromos készüléket a sérült vezetékéről. Amennyiben ezt a figyelmeztetést nem veszi figyelembe, az súlyos személyes sérülést vagy esetleg halált okozhat.

▲ FIGYELMEZTETÉS: A súlyos személyes sérülés megelőzése érdekében tartsa távol a kezét a pengéktől. Ne próbálja meg eltávolítani a vágott anyagot, és ne tartsa a vágandó anyagot, amíg a lapok mozgásban vannak. Ellenőrizze, hogy a pengék teljesen leálltak-e, és az akkumulátoregység ki van-e véve, mielőtt eltávolítja a beakadt anyagot a pengékből. Ne fogja meg a vágópengéket vagy a pengék végét, amikor felveszi, vagy tartja az egységet.

▲ FIGYELMEZTETÉS: Minden használat előtt tisztítsa meg a nyírándó területet. Távolítsa el minden tárgyat, pl. kábeleket, lámpákat, vezetékeket vagy zsinórokat, amelyek beakadhatnak a pengébe, és súlyos személyes sérülést okozhatnak.

▲ FIGYELMEZTETÉS: Egyszerre ne vágjon túl sokat vagy sűrű bozótot. Ez által a pengék megakadhatnak, vagy lelassulhatnak, így csökkentve a vágási kapacitást.

MEGJEGYZÉS: Az új kinövések vágásánál széles mozdulatokat végezzen, hogy a száraz közvetlenül a vágópengére essenek. A régebbi kinövések vágásánál a fűrészelő mozgás alkalmas a vastagabb szárazhoz. Javasoljuk, hogy először a nagy szárazakat vágja le nem motoros kézi fűrésszel vagy ágnyesővel.

Vágás felül

Végezzen széles mozdulatokat. Ha a vágópengéket enyhén megdönti a mozgás irányába, akkor lesz a vágás eredménye a legjobb. A jobb vágási hatás érdekében használhat zsinórt a sövény szintjének vezérfonalaként a D ábrán látható módon.

Vágás oldal

Amikor a sövény oldalait vágja, akkor kezdje Az alján, és vágjon felfelé az E1 vagy E2 ábrán látható módon.

Radikális vágás

A sövénynyíró hátsó fogantyúja öt pozícióba ($0^\circ/\pm 45^\circ/\pm 90^\circ$) állítható a csappantyú kihúzásával (F1- F5 ábra). Ha radikális vágás szükséges, akkor állítsa a hátsó fogantyút $\pm 45^\circ$ -ba (F2 és F4 ábra) a vágáshoz.

▲ FIGYELMEZTETÉS: Amikor a fogantyút beállítja, akkor a pengének nem szabad járnia.

MEGJEGYZÉS: Munka közben a fogantyú mindig felfelé nézzen attól függetlenül, hogy milyen irányban van a sövénynyíró.

HU

Pengevédő-védő

A pengevédő-védő (G ábra) a penge külső végének védelme használatos.

Pengevédő

A pengék külső része olyan formájú, mint a pengevédő (H ábra).

H-1	Penge
H-2	Pengevédő

FIGYELMEZTETÉS: Mindig ellenőrizze, hogy a penge védőburkolat nem sérült vagy hajlott-e. Cserélje ki, ha behajlott, vagy sérült.

KARBANTARTÁS

FIGYELMEZTETÉS: Javitáskor használjon azonos pótalkatrészeket. Más alkatrészek használata veszélyt okozhat, vagy megrongálhatja a terméket. A biztonságosság és megbízhatóság biztosítása érdekében minden javítást szakképzett szerviztechnikus hajtson végre.

FIGYELMEZTETÉS: A súlyos személyi sérülések elkerülése érdekében mindig vegye ki az akkumulátoregységet a termékből tisztítás vagy karbantartás alatt.

TISZTÍTÁS

- Használjon puha kefét a szennyeződések levegő bemeneti nyílások és a pengéről való eltávolításához.
- A gyanta és más ragadós maradvány eltávolításához fújja be a pengéket gyantaoldó szerrel. Rövid ideig indítsa be a motort, hogy az oldószer egyenletesen el legyen osztva.
- A felületet száraz ruhával törölje át.

FIGYELMEZTETÉS: Soha ne használjon vizet a sövénynyíró tisztításhoz. A műanyag alkatrészek tisztításához ne használjon oldószereket. A legtöbb műanyag a vegyi oldószerek által deformálódás általi sérülésnek van kitéve. Használjon tiszta ruhát a szennyeződés, por, olaj, zsír stb. eltávolításához.

HU

A VÁGÓPENGE ÉLEZÉSE

1. Vegye ki az akkumulátoregységet a sövénynyíróból.
2. Rögzítse a vágószerszerkezetet a befogóba, és reszelje le az elhasznált vágófelületet a penge minden fogán. A lehető legkevesebb anyagot távolítsa el.
3. Vegye ki a sövénynyíróat a befogóból, és helyezze be a másik, élezetlen oldalát. Ismételje meg a fenti folyamatot, amíg a penge minden foga éles nem lesz.

MEGJEGYZÉS: Ne működtesse a sövénynyíróat tompa vagy sérült vágópengével. Ez túlterhelést okozhat, és a vágási eredmény nem lesz megfelelő.

A PENGE KENÉSE

A penge legjobb működése és hosszabb élettartama érdekében minden használat előtt és után kenje be a sövénynyíró pengéjét könnyű gépolajjal.

Vegye ki az akkumulátoregységet, és helyezze a sövénynyíróat sima felületre. Vigyen fel olajat a penge éle mentén egészen a tetejéig.

MEGJEGYZÉS: A hosszan tartó használat érdekében vágási művelet közben is olajozza be.

FIGYELMEZTETÉS: Ne olajozza be, amikor a sövénynyíró működik.

A HAJTÓMŰ KENÉSE

A legjobb működés és leghosszabb élettartam elérése érdekében a sövénynyíró hajtóművét speciális kenőanyaggal kenje (az 1. Ponton 5-6 g és a 2. Ponton 10-12 g minden alkalommal) 25 üzemóránként.

MEGJEGYZÉS: Vegye fel a kapcsolatot a helyi ego szerviz képviselővel segítségért.

A speciális kenőanyagok meg kell felelnie az alábbi követelményeknek:

1. A DIN51818: NLGI-2 kúpenetrációs fokba tartozik.
2. Poliurea sűrítéssel + szintetikus kenőolajból áll.
3. Kiváló alacsony-hőmérsékletű indítás, EP, mechanikus nyírás, kopásálló és oxidációs stabilitás tulajdonságok.
4. Az üzemi hőmérsékletnek -40-180 °C között kell lennie.

SZÁLLÍTÁS ÉS TÁROLÁS

- Mindig tegye fel a pengevédőt a pengére, mielőtt elrakja vagy szállítja a sövénynyíró. Legyen elővigyázatos, ne érjen a penge éles fogaihoz.
- Tárolás előtt alaposan tisztítsa meg a sövénynyíró.
- A sövénynyíró beltéren, olyan száraz helyen tárolja, amelyhez gyermekek nem tudnak hozzáférni.
- Tartsa távol maró hatású szerektől, például kerti vegyszerektől, és jégmentesítő sótól.

FIGYELMEZTETÉS: A pengék élesek. A vágószerszerkezet kezelésénél viseljen csúszásálló, nagy teherbírási védőkesztyűt. Ne tegye a kezét vagy ujjait a pengék közé, vagy olyan pozícióba, ahol beszorulhat vagy megvághatja. SOHA NE érjen a pengékhez, és ne ellenőrizze az egységet behelyezett akkumulátoregységgel.

Varovnje okolja



Električne opreme, polnilnika baterij in baterij/baterij, ki jih je mogoče polniti, ne odvrzite med gospodinjstvo odpadke! V skladu z evropskim zakonom 2012/19/EU glede električne in elektronske opreme, ki ni več uporabna, in v skladu z evropskim zakonom 2006/66/EC glede pokvarjenih ali izrabljenih baterijskih sklopov/baterij, je treba baterije zbrati ločeno. Če električne naprave odvrzete na smetišča, lahko nevarne snovi pronicajo v podtalnico in tako pridejo v prehranjevalno verigo, s čimer ogrožijo vaše zdravje in dobro počutje.

HIBELHÁRÍTÁS

PROBLÉMA	A PROBLÉMA OKA	MEGOLDÁS
A sövénynyíró nem működik.	<ul style="list-style-type: none"> ■ Az akkumulátoregység nincs csatlakoztatva a sövénynyíróba. 	<ul style="list-style-type: none"> ■ Csatlakoztassa az akkumulátoregységet a sövénynyíróhoz.
	<ul style="list-style-type: none"> ■ Nincs elektromos kapcsolat a sövénynyíró és az akkumulátor között. 	<ul style="list-style-type: none"> ■ Vegye ki az akkumulátoregységet, ellenőrizze a csatlakozást, és helyezze vissza az akkumulátoregységet.
	<ul style="list-style-type: none"> ■ Az akkumulátoregység lemerült. 	<ul style="list-style-type: none"> ■ Töltse fel az akkumulátoregységet.
	<ul style="list-style-type: none"> ■ Az akkumulátoregység túl forró. 	<ul style="list-style-type: none"> ■ Hagyja kihűlni az akkumulátoregységet vagy a láncfűrész 67 °C alatti hőmérsékletre.
	<ul style="list-style-type: none"> ■ A sövénynyíró túl forró. 	<ul style="list-style-type: none"> ■ Oldja ki a két kapcsolókart; hagyja lehűlni a sövénynyírót 77 °C-os hőmérséklet alá.
	<ul style="list-style-type: none"> ■ A két kapcsolókar nem egyidejűleg van lenyomva. 	<ul style="list-style-type: none"> ■ Egyszerre nyomja meg az elülső és hátsó fogantyún lévő kapcsolókart.
	<ul style="list-style-type: none"> ■ A penge beakadt. 	<ul style="list-style-type: none"> ■ Vegye ki az akkumulátoregységet a szerszámból, óvatosan vegye ki az akadályt, majd helyezze vissza az akkumulátoregységet a szerszámba.
Rendkívül magas vibráció vagy zaj.	<ul style="list-style-type: none"> ■ Száraz vagy rozsdás pengék. 	<ul style="list-style-type: none"> ■ A pengék kenéséhez nézze meg a „A PENGE KENÉSE” fejezetet a jelene használati útmutató 24. oldalán.
	<ul style="list-style-type: none"> ■ A pengék vagy pengetartó elgörbült. 	<ul style="list-style-type: none"> ■ Cserélje ki új pengére vagy tartóra. Forduljon az EGO szervizközponthoz a penge vagy tartó kicserélése érdekében.
	<ul style="list-style-type: none"> ■ Elgörbült vagy sérült fog. 	<ul style="list-style-type: none"> ■ Cserélje ki egy új pengére. Forduljon az EGO szervizközponthoz a penge kicserélése érdekében.
	<ul style="list-style-type: none"> ■ Laza penge csavarok. 	<ul style="list-style-type: none"> ■ Húzza meg a penge csavarjait. Meghúzáshoz csavarkulccsal fordítsa el a csavart az óramutató járásával megegyező irányba.

GARANCIA

EGO GARANCIÁLIS FELTÉTELEK

Kérjük, látogasson el az egopowerplus.com oldalra, ahol megtalálja a részletes EGO garanciális feltételeket.

CITIȚI TOATE INSTRUCȚIUNILE!



CITIȚI ȘI ÎNȚELEGEȚI MANUALUL DE INSTRUCȚIUNI

⚠️ Riscuri reziduale! Persoanele cu dispozitive electronice precum stimulatoare cardiace ar trebui să-și consulte medicul (medicii) înainte de a utiliza acest produs. Utilizarea unui echipament electric în imediata apropiere a unui stimulator cardiac poate cauza interferențe sau pana stimulatorului.

⚠️ AVERTISMENT: Pentru siguranța și fiabilitatea produsului, toate reparațiile ar trebui efectuate de către un tehnician de service autorizat.

SIMBOLURI PRIVIND SIGURANȚA

Scopul simbolurilor privind siguranța este să vă atragă atenția asupra pericolelor posibile. Simbolurile privind siguranța și explicațiile furnizate cu acestea merită atenția și înțelegerea dumneavoastră. Simbolurile de avertizare, ele singure, nu elimină niciun pericol.

Instrucțiunile și avertismentele pe care le oferă nu pot înlocui măsurile corecte de prevenire a accidentelor.

⚠️ AVERTISMENT: Asigurați-vă că ați citit și înțelegți toate instrucțiunile privind siguranța din acest Manual de utilizare, inclusiv toate simbolurile de alertă privind siguranța precum "PERICOL," "AVERTISMENT," și "ATENȚIE" înainte de a utiliza această sculă. Nerespectarea tuturor avertismentelor și instrucțiunilor poate duce la electrocutare, incendiu și/sau răni grave.

SEMNIFICAȚIA SIMBOLURILOR

SIMBOL DE AVERTIZARE PRIVIND SIGURANȚA:

Indică **PERICOL**, **AVERTISMENT**, sau **ATENȚIE**. Poate fi utilizat împreună cu alte avertismente sau pictograme.

⚠️ AVERTISMENT: Operarea oricăror scule electrice poate rezulta în proiectarea înspre ochii dumneavoastră a unor obiecte străine, ceea ce poate duce la vătămări grave ale ochilor. Înainte de a începe să utilizați scula electrică, întotdeauna purtați ochelari de protecție cu apărători laterale și vizieră facială completă când este nevoie. Vă recomandăm să purtați o Vizieră lată de protecție peste ochelarii de vedere sau ochelari de protecție standard cu apărători laterale.

INSTRUCȚIUNI PRIVIND SIGURANȚA

Această pagină descrie simbolurile de siguranță ce pot apărea pe acest produs. Citiți, înțelegeți, și respectați toate instrucțiunile de pe mașină înainte de asamblare și operare.

	Alertă privind siguranța	Indică un risc posibil de vătămare personală.
	Citiți manualul de instrucțiuni	Pentru a reduce riscul de accidentări, utilizatorul trebuie să citească manualul de instrucțiuni.
	A nu se expune la ploaie	AVERTISMENT: Nu utilizați acest produs în ploaie și nu-l lăsați în exterior în timp ce plouă.
	Lungime lamă	Lungimea lamei
	Capacitate de tăiere	Capacitatea maximă de tăiere a lamei
V	Volt	Voltaj
A	Amperi	Rezistență
Hz	Hertz	Frecvență (cicluri pe secundă)
W	Watt	Putere
min	Minute	Durată
	Curent alternativ	Tip de curent
	Curent continuu	Tip sau o caracteristică a curentului
n ₀	Turație de mers în gol	Turație de mers în gol
... /min	Pe minut	Voltaj
SPM	Curse pe minut	Viteza cursei, la mers în gol

INSTRUCȚIUNI GENERALE DE SIGURANȚĂ PENTRU SCULE ELECTRICE

⚠️ AVERTISMENT: Citiți toate avertismentele și instrucțiunile de siguranță. Nerespectarea avertizărilor și instrucțiunilor se poate solda cu șoc electric, incendiu și/sau vătămare corporală gravă.

Păstrați toate avertizările și instrucțiunile pentru consultare ulterioară.

Termenul „sculă electrică” din avertizări se referă la scula electrică (cu cablu) alimentată de la rețeaua electrică sau scula electrică (fără cablu de alimentare) care funcționează cu acumulator.

SIGURANȚA ZONEI DE LUCRU

- **Păstrați zona de lucru curată și bine iluminată.** Zonele dezordonate și întunecoase predispun la accidente.
- **Nu puneți în funcțiune sculele electrice în atmosfere explozive, cum ar fi în prezența lichidelor, gazelor sau prafurilor inflamabile.** Sculele electrice creează scânteii, care pot aprinde praful sau gazele.
- **Țineți copiii și persoanele prezente la distanță atunci când operați o sculă electrică.** Distragerea atenției vă poate face să pierdeți controlul.

SIGURANȚA ELECTRICĂ

- **Ștecherul sculei electrice trebuie să corespundă cu priza de rețea electrică.** Nu modificați niciodată ștecherul. Nu utilizați un adaptor de priză cu scule electrice împământate. Ștecherurile nemodificate și prizele adecvate vor reduce riscul de electrocutare.
- **Evitați contactul corpului cu suprafețele legate la împământare, cum sunt țevile, caloriferele, mașinile de gătit și frigiderule.** Acest lucru reprezintă un risc sporit de electrocutare în cazul care corpul dumneavoastră este împământat.
- **Nu expuneți încărcătorul la ploaie sau condiții de umezeală.** Pătrunderea apei în încărcător va crește riscul de electrocutare.
- **Nu folosiți în mod abuziv cablul de alimentare.** Nu utilizați niciodată cablul de alimentare pentru transportul, tragerea sau scoaterea din priză a încărcătorului. Țineți cablul de alimentare departe de căldură, ulei, margini tăioase sau piese în mișcare. Cablurile electrice deteriorate sau încălcite cresc riscul de electrocutare.
- **Când utilizați o sculă electrică în aer liber utilizați un cablu prelungitor adecvat pentru utilizarea în aer liber.** Utilizarea unui cablu adecvat pentru aer liber reduce riscul de electrocutare.
- **Dacă utilizarea unei scule electrice într-o zonă umedă este inevitabilă, utilizați o sursă de alimentare protejată cu un întrerupător de protecție la defecțiune circuit de împământare.** Utilizarea unui astfel de întrerupător reduce riscul de electrocutare.

SIGURANȚA PERSONALĂ

- **Păstrați-vă vigilența, urmăriți ceea ce faceți și apelați la bunul simț când utilizați o sculă electrică.** Nu utilizați o sculă electrică când sunteți obosit, sau sub influența medicamentelor, a alcoolului sau a medicației. Un moment de neatenție în timp ce utilizați sculele electrice se poate solda cu vătămări grave.
- **Utilizați echipamente de protecție personală.** Purtați întotdeauna protecție oculară. Echipamentele de protecție, cum ar fi masca de praf, bocancii de protecție antiderapanți, casca sau antifoanele utilizate în condiții corespunzătoare, vor reduce vătămrile corporale.

- **Preveniți pornirea accidentală.** Asigurați-vă că întrerupătorul este în poziția oprit înainte de a conecta la o sursă de alimentare și/sau set de acumulatori, înainte de a ridica sau transporta scula. Transportul sculelor electrice cu degetul pe întrerupător sau cu alimentarea cu energie electrică pornită, predispoaze la accidente.
- **Îndepărtați orice cheie de reglare înainte de a porni scula electrică.** O cheie lăsată într-o piesă rotativă a sculei electrice poate duce la accidente.
- **Nu vă întindeți excesiv.** Păstrați-vă întotdeauna o poziție stabilă a picioarelor și echilibrul. Astfel veți avea un mai bun control asupra sculei electrice în situații neașteptate.
- **Îmbrăcați-vă corespunzător.** Nu purtați haine largi sau bijuterii. Păstrați-vă părul, îmbrăcămintea și mânușile departe de componentele în mișcare. Îmbrăcămintea largă, bijuteriile sau părul lung pot fi prinse de piesele în mișcare.
- **Dacă sunt furnizate dispozitive pentru conectarea sistemelor de extragere și colectare a prafului, asigurați-vă că acestea sunt conectate și utilizate corespunzător.** Utilizarea dispozitivelor colectoare de praf poate reduce pericolele legate de praf.

UTILIZAREA ȘI ÎNGRIJIREA SCULELOR ELECTRICE

- **Nu forțați scula electrică.** Utilizați scula electrică corespunzătoare pentru aplicația dumneavoastră. Scula electrică corectă va face o treabă mai bună și mai sigură utilizată conform specificațiilor pentru care a fost concepută.
- **Nu utilizați scula electrică dacă întrerupătorul nu comută pe pozițiile pornit și oprit.** Oricum scula electrică ce nu poate fi controlată cu întrerupătorul este periculoasă și trebuie reparată.
- **Deconectați ștecherul de la sursa de alimentare și/sau setul de acumulatori de scula electrică înainte de efectuarea oricăror reglaje, schimbări de accesorii sau înainte de depozitarea sculelor electrice.** Astfel de măsuri preventive de siguranță reduc riscul de pornire accidentală a sculei electrice.
- **Depozitați sculele electrice într-un loc inaccesibil copiilor și nu permiteți utilizarea sculei electrice de persoane nefamiliarizate cu aceasta sau cu aceste instrucțiuni.** Sculele electrice sunt periculoase în mâna utilizatorilor neinstruiți.
- **Întrețineți sculele electrice.** Verificați dacă există abateri de la coaxialitate sau îndoiri ale pieselor în mișcare, avarii ale pieselor și orice altă situație care poate afecta funcționarea sculelor electrice. În caz de deteriorare, reparați scula electrică înainte de utilizare. Multe accidente sunt cauzate de sculele electrice prost întreținute.

- **Mențineți sculele de tăiere ascuțite și curate.** Elementele de tăiere întreținute corespunzător și cu muchii de tăiere ascuțite sunt mai puțin probabil să se îndoie și sunt mai ușor de controlat;
- **Utilizați scula electrică, accesoriile și cuțitele demontabile etc. în conformitate cu aceste instrucțiuni, ținând cont de condițiile de lucru și lucrarea de efectuat.** Utilizarea sculei electrice pentru operații diferite de cele intenționate s-ar putea solda cu o situație periculoasă.

UTILIZAREA ȘI ÎNGRIJIREA ACUMULATORULUI

- **Reîncărcați numai cu încărcătorul specificat de producător.** Un încărcător adecvat pentru un tip de set de acumulatori poate prezenta risc de incendiu dacă e utilizat cu alt set de acumulatori.
- **Utilizați sculele electrice doar cu seturile de acumulatori special menționate.** Utilizarea oricărui alt set de acumulatori prezintă risc de accidente și incendiu.
- **Când nu se utilizează setul de acumulatori, țineți-l departe de alte obiecte metalice precum clamele de hârtie, monedele, cheile, cuiile, șuruburile sau alte obiecte metalice mici care pot realiza o conexiune între borne.** Scurtcircuitarea bornelor bateriei poate produce arsuri sau un incendiu.
- **În condiții abuzive se poate scurge lichid din acumulator; evitați contactul.** Dacă are loc contactul accidental, clătiți cu apă. Dacă lichidul intră în contact cu ochii, efectuați suplimentar un consult medical. Lichidul scurs din acumulator poate produce iritări sau arsuri.

OPERAȚIILE DE SERVICE

- **Apelați numai la o persoană calificată pentru a vă repara scula electrică utilizând numai piese de schimb identice.** Acest lucru va asigura menținerea siguranței încărcătorului.

INSTRUCȚIUNI GENERALE DE SIGURANȚĂ PENTRU TRIMMER DE GARD VIU

- **Țineți toate părțile corpului la distanță de lamele trimmerului.** Nu îndepărtați materialul tăiat și nu țineți de materialul ce trebuie tăiat când lamele sunt în mișcare. Asigurați-vă că opriți trimmerul când îndepărtați materialul blocat. Un moment de neatenție în timp ce utilizați trimmerul de gard viu se poate solda cu vătămări personale grave.
- **Transportați trimmerul de gard viu ținându-l de mâner, cu lama tăietoare oprită.** Când transportați sau depozitați aparatul de tăiat gard viu, echipați-l întotdeauna cu teaca dispozitivului de tăiere. Manevrarea corespunzătoare a trimmerului de tăiat gard viu va reduce posibilitatea vătămării personale de la lamele acestuia.

- **Țineți scula electrică numai de suprafețele izolate speciale deoarece lanțul ferăstrăului poate contacta cablaje ascunse.** Lanțul ferăstrăului care intră în contact cu un fir „sub tensiune” poate pune sub tensiune părțile metalice exterioare ale sculei electrice și poate electrocuta operatorul.
- **Țineți cablul de alimentare la distanță de zona de tăiere.** În timpul funcționării sculei electrice, cablul de alimentare poate fi mascat în tufe și poate fi tăiat accidental de lame.
- **Înainte de tunderii, inspecți gardul viu pentru depistarea obiectelor străine, de ex. garduri de sârmă.**
- **Utilizați trimmerul de gard viu numai dacă are apărătoarea asamblată corect.** Utilizarea trimmerului de gard viu fără apărătoarea adecvată poate duce la vătămări personale grave!
- **Utilizați ambele mâini când folosiți trimmerul de gard viu.** Utilizarea unei singure mâini poate cauza pierderea controlului și rezulta în vătămări personale grave.

⚠️ AVERTISMENT: Înaintea tunderii, inspecți gardul viu pentru depistarea obiectelor străine, de ex. garduri de sârmă. Utilizați trimmerul de gard viu numai dacă are apărătoarea asamblată corect. Utilizarea trimmerului de gard viu fără apărătoarea adecvată poate duce la vătămări personale grave!

INSTRUCȚIUNI IMPORTANTE PRIVIND SIGURANȚA

- Nu utilizați trimmerul cu acumulator de tuns gardul viu în ploaie.
- Nu încărcați setul de acumulatori în condiții de ploaie sau de umezeală.
- Utilizați numai seturile de acumulatori și încărcătorii din fig.A.
- Nu apucați lamele de tăiere expuse sau muchiile de tăiere când apucați sau țineți trimmerul pentru gard viu.
- Nu utilizați aparatul când vă aflați pe o scară, acoperiș, copac sau alt suport instabil. Poziționarea stabilă pe o suprafață solidă permite un mai bun control asupra trimmerului în situații neașteptate.
- Nu permiteți niciodată copiilor să utilizeze trimmerul de gard viu.
- Nu îndepărtați și nu alterați dispozitivele de siguranță. Verificați periodic dacă acestea funcționează corect. Nu încercați niciodată să interveniți asupra funcției destinate a unui dispozitiv de siguranță sau să reduceți protecția furnizată de dispozitivul de siguranță.

- Nu operați niciodată trimmerul de gard viu fără apărătorile corecte, plăci sau alte dispozitive de protecție instalate.
- Verificați componentele defecte înainte de a utiliza trimmerul în continuare. O apărătoare sau altă piesă care este deteriorată trebuie verificată cu atenție pentru a se determina dacă va funcționa corespunzător și își va îndeplini funcția desemnată. Verificați coaxialitatea pieselor în mișcare, neobstrucționarea pieselor în mișcare, defectări ale pieselor, montajul și orice altă situație care poate afecta funcționarea sculei. Apărătoarea sau altă piesă care este deteriorată trebuie reparată corect sau înlocuită de către un centru de service autorizat, cu excepția cazului când se indică contrariul în acest manual de instrucțiuni.
- La intervale frecvente, verificați dacă lama și bolțurile de montare a motorului sunt strânse corect. De asemenea, inspectați vizual lama pentru depistarea avariilor (de ex. lamă îndoită, crăpată și uzată). Înlocuiți lama numai cu o lamă furnizată de EGO™.
- Înlocuiți lama dacă aceasta este îndoită sau crăpată. O lamă dezechilibrată produce vibrații care ar putea avaria unitatea de acționare a motorului sau cauza vătămări personale.
- Dacă echipamentul începe să producă vibrații anormale, opriți motorul și identificați imediat cauza. Vibrațiile sunt în general semnul unor probleme.
- Trimmerul trebuie utilizat pentru tăierea tulpinilor cu grosimea mai mică de 33mm.
- Utilizați trimmerul numai pe timp de zi sau în condiții de lumină artificială bună.
- Îndepărtați sau deconectați bateria înainte de a efectua operațiuni de service de a curăți sau de a îndepărta materiale din trimmer.
- Nu spălați trimmerul cu furtunul de grădină; evitați pătrunderea apei în motor și în conexiunile electrice.
- Când efectuați operații de service, utilizați numai piese de schimb identice listate în acest manual. Utilizarea pieselor care nu întrunesc specificațiile echipamentului original pot duce la funcționarea inadecvată și la compromiterea siguranței.
- Respectați instrucțiunile legate de ungerea și schimbarea accesoriilor.
- Mențineți mânerul uscat, curate și fără ulei și vaselină.
- Păstrați aceste instrucțiuni. Consultați-le frecvent și utilizați-le pentru a instrui alte persoane care ar putea utiliza această sculă electrică. Dacă împrumutați cuiva această sculă, împrumutați-i și aceste instrucțiuni pentru a preveni utilizarea inadecvată a produsului și posibile răni.

PĂSTRAȚI ACESTE INSTRUCȚIUNI!

SPECIFICAȚII

Model		HT5100E	HT6500E
Voltaj		56 V ---	56 V ---
Turație la mers în gol	Înalt	1600 /min	1600 /min
	Scăzut	1400 /min	1400 /min
Temperatură de funcționare recomandată:	0°C-40°C		
Temperatură de depozitare recomandată:	-20°C-70°C		
Lungime lamă		51 cm	65 cm
Capacitate de tăiere		33 mm	33 mm
Greutate (fără set de acumulatori)		3,6 kg	3,8 kg
Nivel de putere sonoră măsurat L_{WA}		90 dB(A) K=1,55 dB(A)	91,45 dB(A) K=1,08 dB(A)
Nivel de presiune sonoră în poziția operatorului L_{PA} K=2,5 dB(A)		81,5 dB(A)	81,4 dB(A)
Nivel de putere sonoră garantat L_{WA} (măsurat în conformitate cu 2000/14/EC)		92 dB(A)	93 dB(A)
Vibrații a_n K=1,5 m/s ²	Mâner frontal	3,369 m/s ²	5,313 m/s ²
	Mâner posterior	1,876 m/s ²	3,115 m/s ²

RO

- Valoarea totală declarată a vibrațiilor a fost măsurată în conformitate cu o metodă standard de testare și poate fi utilizată pentru compararea sculelor între ele;
- Valoarea totală declarată poate fi utilizată în evaluarea preliminară a expunerii.

OBSERVAȚIE: Vibrațiile emise în timpul utilizării efective a sculei electrice pot diferi față de valoarea celor declarate pentru scula utilizată; Pentru protejerea operatorului, utilizatorul trebuie să poarte mănuși și protecții auditive în timpul utilizării efective a produsului.

CONȚINUTUL AMBALAJULUI

DENUMIRE PIESĂ	CANTITATE
Trimmerul	1
Apărătoare lamă	1
Manual de instrucțiuni	1

DESCRIERE

DESCRIEREA TRIMMERULUI (Fig. A)

1. Buton de detașare acumulator
2. Mâner posterior
3. Trăgaci cu blocare
4. Manetă întrerupătoare posterioară
5. Regulator de viteză
6. Mâner frontal
7. Manetă întrerupătoare frontală
8. Apărătoare mâini
9. Apărătoare lamă
10. Lamă
11. Protector de vârf
12. Încuietorie
13. Contacte electrice
14. Fantă de montare
15. Mecanism de ejectare
16. Dispozitiv de blocare pentru mâner
17. Carcasă motor
18. Teacă

⚠️ AVERTISMENT: Acest produs este furnizat complet asamblat. Apărătoarea de mâini nu trebuie îndepărtată niciodată pe durata utilizării. Dacă este avariată, înlocuiți-o imediat de către un tehnician de service autorizat.

⚠️ AVERTISMENT: Utilizarea acestui produs în condiții de siguranță necesită înțelegerea informațiilor inscripționate pe mașină și incluse în acest manual de utilizare, precum și cunoașterea proiectului pe care încercați să îl desfășurați. Înainte de a utiliza aparatul, familiarizați-vă cu toate caracteristicile de utilizare și cerințele privind siguranța.

UTILIZAREA

⚠️ AVERTISMENT: Nu permiteți ca familiarizarea cu acest produs să vă facă neglijent. Amintiți-vă că o fracțiune de secundă de neglijență este suficientă pentru a provoca vătămări grave.

⚠️ AVERTISMENT: Purtați întotdeauna ochelari de protecție cu apărători laterale. Nerespectarea acestor instrucțiuni ar putea avea ca rezultat proiectarea în ochi a obiectelor și alte posibile vătămări grave.

⚠️ AVERTISMENT: Pentru a preveni pomirea accidentală care ar putea cauza vătămări personale grave, întotdeauna scoateți setul de acumulatori din sculă când asamblați componente, efectuați reglaje sau când produsul nu este utilizat.

⚠️ AVERTISMENT: Nu folosiți accesorii sau componente nerecomandate de EGO™. Utilizarea de accesorii sau componente nerecomandate se poate solda cu vătămări grave.

Înainte de fiecare utilizare, inspectați întregul produs pentru depistarea de piese deteriorate, piese care lipsesc sau care sunt slăbite, precum șuruburi, piulițe, bolțuri, capace etc. Strângeți bine toate elementele de fixare și capacele și nu puneți în funcțiune acest produs până când nu se înlocuiesc toate piesele deteriorate sau lipsă.

SCOPUL UTILIZĂRII

Puteți utiliza acest produs pentru tunderea gardurilor vii, a tufișurilor și arbuștilor ale căror crengi au un diametru mai mic de Ø33mm.

OBSEVAȚIE: Scula trebuie utilizată numai în scopul pentru care a fost proiectată. Orice altă utilizare este considerată a fi caz de utilizare necorespunzătoare.

INSTALAREA/ÎNDEPĂRTAREA SETULUI DE ACUMULATORI

Încărcați acumulatorul înainte de prima utilizare.

Instalarea (Fig. B)

Aliniați nervurile de pe acumulator cu fantele de instalare și apăsați în jos setul de acumulatori până la auzul unui clic.

Îndepărtarea (Fig. C)

Apăsați butonul de detașare al setului de acumulatori și scoateți setul de acumulatori.

⚠️ AVERTISMENT: Întotdeauna acordați atenție amplasamentului picioarelor dumneavoastră, a copiilor sau animalelor de companie când apăsați butonul de detașare al acumulatorului. În cazul căderii setului de acumulatori, pot rezulta răni grave. Nu detașați NICIODATĂ setul de acumulatori când vă aflați la înălțime.

PORNIREA/OPRIREA TRIMMERULUI DE GARD VIU

Înainte de utilizare, îndepărtați apărătoarea lamei și apucați trimmerul cu ambele mâini, o mână pe mânerul posterior și cealaltă mână pe mânerul frontal. După care asigurați-vă că aveți o poziție echilibrată, stați vertical și la o distanță adecvată de tăiere.

⚠️ AVERTISMENT: Întotdeauna păstrați-vă ambele mâini pe mânerul trimmerului de gard viu. Nu țineți niciodată arbuștii cu o mână și să operați trimmerul de gard viu cu cealaltă. Nerespectarea acestui avertisment se poate solda cu vătămări grave.

Pornirea

Apăsați trăgaciul cu blocare cu palma, după care apăsați în sus maneta posterioară. Menținând maneta întrerupătoare posterioară apăsată, continuați să apăsați maneta întrerupătoare frontală pentru a porni.

Pornirea

Eliberați oricare dintre manete pentru a opri aparatul.

OBSERVAȚIE: Ambele manete întrerupătoare trebuie să fie apăstate pentru ca trimmerul să pornească.

UTILIZAREA TRIMMERULUI DE GARD VIU

⚠️ AVERTISMENT: În cazul blocării lamei într-un cablu electric sau fir, NU ATINGEȚI LAMA! ACESTA POATE FI SUB TENSIUNE ELECTRICĂ ȘI PERICULOS Continuați să țineți trimmerul de gard viu de mânerul posterior izolat sau așezați-l pe jos și la distanță de dumneavoastră, într-un mod sigur. Deconectați serviciul electric la cablul sau firul avariat înainte de a încerca să eliberați lama din cablu sau din fir. Nerespectarea acestei avertizări se va solda cu vătămări grave sau chiar fatale.

⚠️ AVERTISMENT: Pentru prevenirea rănilor personale grave, țineți-vă mâinile la distanță de la lame. Nu încercați să îndepărtați materialul tăiat și nu țineți de materialul ce trebuie tăiat când lamele sunt în mișcare. Asigurați-vă că lamele sunt complet oprite și că setul de acumulatori este îndepărtat înainte de a îndepărta materialul locat din lame. Nu apucați lamele de tăiere expuse sau muchiile de tăiere când ridicăți sau țineți trimmerul pentru gard viu.

⚠️ AVERTISMENT: Curățați zona de tuns înainte de fiecare utilizare. Îndepărtați toate obiectele precum cabluri, lumini, fire electrice sau corzi care se pot prinde în lama de tăiat și crea un risc de răni personale grave.

⚠️ AVERTISMENT: Evitați tunderea unei cantități prea mari de vegetale odată sau prin arbuști foarte deși. Acest lucru poate duce la blocarea lamelor și încetinirea acestora, reducând eficiența de tăiere.

OBSERVAȚIE: Pentru lăstăriș, este adecvată o mișcare de baleiere largă pentru tulpinile care ajung direct în lama de tăiere. Pentru ramuri mai vechi, o mișcare de coasere este potrivită pentru tunderea tulpinilor mai groase. Se recomandă utilizarea mai întâi a unui ferăstrău manual nemotorizat sau a unui ferăstrău de grădină pentru tăierea tulpinilor mari.

Tunsul vârfulor

Utilizați o mișcare largă de baleiere. O înclinare ușoară în jos a lamelor de tăiere în direcția mișcării oferă cele mai bune rezultate de tăiere. Pentru un efect de tăiere cât mai bun, puteți utiliza și coarda pentru demarcarea înălțimii gardului viu, precum în Fig. D.

Tunsul lateral

Când tundeți fețele unui gard viu, începeți de jos și tăiați înșpre sus precum în figurile Fig. E1 sau Fig. E2.

Tunsul radical

Mânerul posterior al trimmerului poate fi setat în cinci poziții ($0^\circ/\pm 45^\circ/\pm 90^\circ$) trăgând de opritor (Fig. F1 - Fig F5). Dacă un tuns radical este necesar, setați mânerul posterior la $\pm 45^\circ$ (Fig. F2 & F4) pentru a efectua tunsul.

⚠️ AVERTISMENT: Când mânerul este ajustat, lama de tăiere nu trebuie să fie în funcțiune.

OBSERVAȚIE: În timp ce lucrați, mânerul trebuie să fie întotdeauna îndreptat în sus indiferent de direcția trimmerului.

Protector de vârf

Protectorul vârfului (Fig. G) are ca scop protejarea capătului exterior al lamei.

Apărătoare lamă

Partea exterioară a lamei are forma apărătoarelor de lamă (Fig. H).

H-1	Lamă
H-2	Apărătoare lamă

⚠️ AVERTISMENT: Întotdeauna asigurați-vă că apărătoarea lamei nu este avariata sau distorsionată. Înlocuiți apărătoarea lamei dacă aceasta este îndoită sau deteriorată.

ÎNȚREȚINEREA

⚠️ AVERTISMENT: Când efectuați operații de service, utilizați doar piese de schimb identice. Utilizarea oricăror altor piese poate crea un pericol sau poate produce o deteriorare. Pentru siguranța și fiabilitatea produsului, toate reparațiile ar trebui efectuate de către un tehnician de service autorizat.

⚠️ AVERTISMENT: Pentru evitarea vătămărilor personale grave, îndepărtați întotdeauna setul de acumulatori din sculă când curățați sau efectuați orice operație de întreținere.

CURĂȚAREA

- Utilizați o perie moale pentru îndepărtarea reziduurilor din toate prizele de aer și de pe lama de tăiere.
- Pentru îndepărtarea bitumului sau a altor reziduuri lipicioase, pulverizați pe lame un solvent de rășină. Puneți motorul în funcțiune un timp scurt astfel încât solventul să fie distribuit uniform.
- Ștergeți suprafața cu o cârpă uscată.

⚠️ AVERTISMENT: Nu utilizați niciodată apă pentru curățarea trimmerului. Evitați utilizarea solventilor când curățați piese din plastic. Majoritatea pieselor din plastic sunt susceptibile să se deterioreze de la diverse tipuri de solvenți comerciali. Utilizați cârpe curate pentru a îndepărta murdăria, praful, uleiul, vaselina etc.

ASCUȚIREA LAMEI DE TĂIERE

1. Îndepărtați setul de acumulatori din trimmer.
2. Prindeți ansamblul lamei într-o menhină și piliți suprafața de tăiere expusă a fiecărui dinte de tăiere. Îndepărtați cât mai puțin material posibil.
3. Scoateți trimmerul din menhină și întoarceți lama neascuțită pe cealaltă latură expusă. Repetați procedura de mai sus până când toți dinții lamei sunt ascuțiți.

OBSERVAȚIE: Nu utilizați trimmerul de gard viu dacă are lame tocite sau avariate. Acest lucru poate duce la suprasolicitare și va furniza rezultate de tăiere nesatisfăcătoare.

LUBRIFIEREA LAMEI

Pentru funcționare cât mai bună și o durată de viață mai lungă a lamei, lubrifiați lama trimmerului cu ulei slab de mașină înainte și după fiecare utilizare.

Îndepărtați setul de acumulatori și poziționați trimmerul pe o suprafață plată. Ungeți cu ulei muchia lamei de sus.

OBSERVAȚIE: În caz de perioade lungi de utilizare, ungeți lama în timpul operației de tăiere.

⚠️ AVERTISMENT: Nu ungeți cu ulei în timpul funcționării trimmerului.

LUBRIFIEREA CUTIEI DE VITEZE

Pentru o durată de viață cât mai lungă și rezultate de utilizare cât mai bune, lubrifiați cutia de viteze a trimmerului cu unsoare specială (5-6g în #1 și 10-12g în #2 de fiecare dată) după fiecare 25 de ore de utilizare.

NOTĂ: Contactați distribuitorul local de servicii ego pentru asistență.

Unsoarea specială trebuie să întrunească următoarele cerințe.

1. Să aparțină categoriei DIN51818: NLGI-2 grad de penetrație cu con.
2. Să fie compusă din agenți de îngroșare poliureici + ulei lubrifiant sintetic.
3. Pomire excelentă la temperaturi joase, EP, rezistență mecanică, rezistență la abraziune și proprietăți de stabilitate oxidativă.
4. Temperatura de funcționare trebuie să fie cuprinsă între -40~180°C.

TRANSPORTAREA ȘI DEPOZITAREA

- Întotdeauna instalați teaca lamei pe lamă înainte de a depozita sau de a transporta trimmerul de gard viu. Fiți precaut pentru a evita dinții ascuțiți ai lamei.
- Curățați foarte bine trimmerul înainte de a-l depozita.
- Depozitați trimmerul pentru gard viu în interior, într-un loc uscat, inaccesibil copiilor.
- Țineți-l la distanță de agenți corozivi, precum substanțele chimice de grădină și sărurile de dezghețare.

⚠️ AVERTISMENT: Lamele sunt ascuțite. Când manevrați ansamblul lamelor, purtați mănuși de protecție nonderapante, super rezistente. Nu vă amplasați mâna sau degetele între lame sau în orice poziție în care ar putea fi prinse sau tăiate. Nu atingeți NICIODATĂ lamele sau să depanați unitatea cu setul de acumulatori instalat.

Protejarea mediului înconjurător



Nu eliminați echipamentul electric, încărcătorul de acumulatori și bateriile/acumulatorii împreună cu deșeurile menajere!

Conform Directivei europene 2012/19/UE, sculele echipamentele electrice și electronice care nu mai sunt utilizabile, și conform Directivei europene 2006/66/CE, seturile de acumulatori/bateriile defecte sau uzate trebuie colectate separat. Dacă aparatele electrice sunt aruncate la groapa de gunoi sau la haldă, se pot scurge substanțe periculoase în pânza freatică și acestea pot intra în lanțul trofic, afectându-vă sănătatea și bunăstarea.

GHID DE DEPANARE

PROBLEMĂ	CAUZĂ	SOLUȚIE
Trimmer de gard viu nu funcționează.	<ul style="list-style-type: none"> Setul de acumulatori nu este atașat la trimmer. 	<ul style="list-style-type: none"> Atașați setul de acumulatori de trimmer.
	<ul style="list-style-type: none"> Nu există contact electric între trimmer și acumulator. 	<ul style="list-style-type: none"> Îndepărtați acumulatorul, verificați contactele și reinstalați setul de acumulatori.
	<ul style="list-style-type: none"> Setul de acumulatori este descărcat. 	<ul style="list-style-type: none"> Încărcați setul de acumulatori.
	<ul style="list-style-type: none"> Setul de acumulatori este prea fierbinte. 	<ul style="list-style-type: none"> Îndepărtați acumulatorul, verificați contactele și reinstalați setul de acumulatori.
	<ul style="list-style-type: none"> Trimmerul este prea fierbinte. 	<ul style="list-style-type: none"> Eliberați ambele manete întrerupătoare; lăsați trimmerul să se răcească până când temperatura scade sub 77°C.
	<ul style="list-style-type: none"> Cele două manete întrerupătoare nu sunt apăsată simultan. 	<ul style="list-style-type: none"> Apăsați manetele întrerupătoare de pe mânerul frontal și posterior în același timp.
	<ul style="list-style-type: none"> Lama este blocată. 	<ul style="list-style-type: none"> Detashați setul de acumulatori de sculă, îndepărtați blocajele cu atenție, după care reintroduceți acumulatorul și reporniți scula.
Vibrații sau zgomot excesive.	<ul style="list-style-type: none"> Lame uscate sau corodate. 	<ul style="list-style-type: none"> Lubrificați lamele respectând instrucțiunile din capitolul "LUBRIFIEREA LAMEI" din acest manual.
	<ul style="list-style-type: none"> Lamele sau suportul de lame sunt îndoite. 	<ul style="list-style-type: none"> Înlocuiți cu o nouă lamă sau cu un suport nou. Contactați centrul de service EGO pentru asistență privind înlocuirea lamei sau a suportului de lamă.
	<ul style="list-style-type: none"> Dinți îndoii sau avariați. 	<ul style="list-style-type: none"> Înlocuiți cu o lamă nouă. Contactați centrul de service EGO pentru ajutor cu privire la înlocuirea lamei.
	<ul style="list-style-type: none"> Boțuri de lame slăbite. 	<ul style="list-style-type: none"> Strângeți boțurile de prindere a lamei. Cu ajutorul unei chei fixe, rotiți boțul în sensul acelor de ceas pentru a strânge.

GARANȚIA

POLITICA DE GARANȚIE EGO

Vă rugăm consultați website-ul egopowerplus.com pentru termenii și condițiile complete ale politicii de garanție EGO.

PREBERITE VSA NAVODILA!



PREBERITE & OSVOJITE PRIROČNIK Z NAVODILI

⚠ Preostalo tveganje! Pred uporabo izdelka se morajo osebe z elektronskimi napravami, kot je srčni spodbujevalnik, posvetovati s svojim zdravnikom. Delovanje električne opreme v bližini srčnega spodbujevalnika lahko povzroči motnje ali okvaro srčnega spodbujevalnika.

⚠ OPOZORILO: Za zagotovitev varnosti in zanesljivosti mora vsa popravila izvesti usposobljen serviser.

VARNOSTNI SIMBOLI

Namen varnostnih simbolov je, da pritegnejo vašo pozornost na morebitne nevarnosti. Varnostni simboli in njihova pojasnila si zaslužijo vašo pozornost in razumevanje. Opozorilni simboli sami ne odpravljajo nobene nevarnosti.

Navodila in opozorila niso nadomestilo za ustrezne ukrepe za preprečevanje nesreč.

⚠ OPOZORILO: Poskrbite, da boste pred uporabo orodja prebrali in razumeli vsa varnostna navodila v priročniku z navodili za uporabo, vključno z vsemi simboli za varnostna opozorila, kot so »NEVARNOST«, »OPOZORILO«, in »SVARILO«. Neupoštevanje spodaj navedenih navodil se lahko odrazi v električnem udaru, požaru in/ali resnih telesnih poškodbah.

SL

POMEN SIMBOLOV

SIMBOL VARNOSTNEGA OPOZORILA: Nakazuje NEVARNOST, OPOZORILO ali SVARILO. Uporablja se lahko skupaj z drugimi simboli ali piktogrami.

⚠ OPOZORILO: Delovanje katerega koli električnega orodja lahko povzroči metanje tujkov v vaše oči, kar lahko povzroči resne poškodbe očesa. Pred začetkom dela z električnim orodjem vedno nosite zaščitna očala ali varnostna očala s stranskimi zaščitami in kadar je treba tudi ščit za celoten obraz. Priporočamo vam uporabo varnostne maske varnostna maska za široko vizijo za uporabo preko očal ali standardnih varnostnih očal s stransko zaščito.

VARNOSTNA NAVODILA

Na tej strani so prikazani in opisani varnostni simboli, ki se lahko pojavijo na tem izdelku. Preberite, osvojite in sledite navodilom na stroju preden ga boste poskušali sestaviti in upravljati.

	Varnostno opozorilo	Označuje potencialno nevarnost telesnih poškodb.
	Preberite priročnik z navodili za uporabo	Za zmanjšanje nevarnosti poškodb morate prebrati priročnik z navodili za uporabo.
	Ne izpostavljajte dežju	OPOZORILO: Obrezovalnika ne uporabljajte v dežju ali ga puščajte zunaj, ko dežuje.
	Dolžina rezila	Dolžina rezila
	Zmogljivost rezanja	Maksimalna zmogljivost rezanja rezila
V	Volt	Napetost
A	Amperi	Tok
Hz	Hertz	Frekvenca (v cikih na sekundo)
W	Watt	Napajanje
min	Minute	Čas
	Izmenični tok	Vrsta toka
	Enosmerni tok	Vrsta ali značilnost toka
n_0	Št. vrtljajev v prostem teku	Hitrost vrtenja, brez obremenitve
... /min	Na minuto	Vrtljajev na minuto.
SPM	Gibov na minuto.	Hitrost gibanja, brez obremenitve

SPLOŠNA VARNOSTNA OPOZORIILA ZA ELEKTRIČNA ORODJA

⚠ OPOZORILO: Preberite vsa varnostna opozorila in navodila. Zaradi neupoštevanja opozoril in navodil lahko pride do električnega udara, požara in/ali resnih poškodb.

Shranite vsa opozorila in vsa navodila za bodočo referenco.

Izraz »električno orodje« v opozorilih se nanaša na orodja, ki jih poganja električni tok (žična), ali na akumulatorska (brezžična) orodja.

VARNOST DELOVNEGA OBMOČJA

- Delovno območje naj bo čisto in dobro osvetljeno. V neurejenih in temnih območjih se rade zgodijo nesreče.
- Električnega orodja ne upravljajte v eksplozivnih okoljih, kot je ob prisotnosti vnetljivih tekočin, plinov ali prahu. Električno orodje ustvarja iskre, ki lahko zanetijo prah ali hlape.
- Med uporabo električnega orodja v bližino ne pustite otrok in drugih ljudi. Zaradi motenj pozornosti lahko izgubite nadzor.

ELEKTRIČNA VARNOST

- Vtiči električnih orodij se morajo prilegati vtičnicam. Vtiča nikoli ne smete spreminjati na kakršen koli način. Z ozemljenimi električnimi orodji ne uporabljajte spremenjenega vtiča. Nespremenjeni vtiči in pripadajoče vtičnice bodo zmanjšali tveganje električnega udara.
- Izogibajte se telesnemu stiku z ozemljenimi površinami, kot so cevi, radiatorji, štedilniki in hladilniki. Če je vaše telo ozemljeno, obstaja povečano tveganje električnega udara.
- Polnilnika ne izpostavljajte dežju ali vlažnim pogojem. Voda v polnilniku znatno poveča tveganje električnega udara.
- Kabla ne uporabljajte za neustrezne namene. Kabla ne uporabljajte za nošenje, vlečenje ali odklapanje polnilnika. Kabel hranite stran od vročine, olja, ostrih robov ali premikajočih se delov. Poškodovani ali zapleteni kabli zvišujejo tveganje električnega udara.
- Med zunanjo uporabo električnega orodja uporabljajte podaljševalni kabel, ki je primeren za zunanjo uporabo. Uporaba kabla, primernega za zunanjo uporabo, znižuje tveganje električnega udara.
- Če je uporaba električnega orodja na vlažnem mestu neizogibna, uporabite stikalo za prekinitve napajanja pri najmanjšem okvarnem toku. Uporaba te naprave bo zmanjšala nevarnost električnega udara.

OSEBNA VARNOST

- Med uporabo električnega orodja bodite pozorni, spremljajte potek dela in uporabljajte zdrav razum. Električnega orodja ne uporabljajte, kadar ste utrujeno ali pod vplivom drog, alkohola ali zdravil. Trenutek nepazljivosti med uporabo električnega orodja lahko privede do resnih telesnih poškodb.
- Uporabljajte osebno varovalno opremo. Vedno nosite zaščito za oči. Če v različnih okoliščinah nosite ustrezno zaščitno opremo, kot so maska proti prahu, obutev z nedersečim podplatom, trdno pokrivalo glave in zaščita za sluh, zmanjšate možnost telesnih poškodb.

- Preprečite neželen zagon. Pred priključitvijo napajanja in/ali baterijskega sklopa, pred dvigovanjem ali nošenjem orodja se prepričajte, da je stikalo v položaju za izklop. Prenašanje električnih orodij, tako da prst držite na stikalu, ali dovajanje napajanja električnim orodjem, pri katerih je stikalo v položaju »on (vklop)« poveča tveganje nesreč.
- Pred vklopom električnega orodja odstranite morebitne prilagojevalne ključe ali izvijače. Izvijač ali ključ, ki je pritrjen na vrtljivi del električnega orodja, lahko povzroči telesne poškodbe.
- Ne segajte preko dosega. Pazite, da stojite stabilno in da imate ravnotežje. To omogoča boljši nadzor nad električnim orodjem v nepričakovanih situacijah.
- Bodite primerno oblečeni. Ne nosite ohlapnih oblačil ali nakita. Pazite, da lasje, oblačila in rokavice ne pridejo v bližino gibljivih delov. Ohlapna oblačila, nakit ali dolgi lasje se lahko zapletejo v gibljive dele.
- Če imate na voljo naprave za sesanje in zbiranje prahu, preverite, ali so priključene in ali se ustrezno uporabljajo. Uporaba naprav za odstranjevanje prahu lahko zmanjša nevarnosti, povezane s prahom.

UPORABA IN NEGA ELEKTRIČNEGA ORODJA

- Električnega orodja ne preobremenjujte. Uporabite električno orodje, ki ustreza vašemu delu. Ustrezno električno orodje bo nalogo opravilo bolje in varneje pri zmogljivosti, za katero je bilo zasnovano.
- Ne uporabljajte električnega orodja, če ga stikalo ne vklopi ali izklopi, kot bi bilo treba. Kakršno koli električno orodje, ki ga ni mogoče nadzirati s stikalom, je nevarno in ga je potrebno popraviti.
- Odklopite vtič z vira napajanja in/ali baterije, preden opravljate kakršne koli prilagoditve, menjate dodatke ali shranjujete električno orodje. Tovrstni preventivni varnostni ukrepi zmanjšujejo tveganje nehotnega zagona električnega orodja.
- Električna orodja, ki niso v uporabi, shranjujte izven dosega otrok in ne dovolite, da bi električno orodje uporabljale osebe, ki niso seznanjene z električnim orodjem ali s temi navodili. Električna orodja so v rokah neusposobljenih uporabnikov nevarna.
- Električna orodja redno vzdržujte. Preverite, ali so gibljivi deli morda napačno pritrjeni ali poškodovani, oz. ali obstaja kakršno koli drugo stanje, ki bi lahko vplivalo na delovanje električnega orodja. Če je električno orodje poškodovano, ga pred ponovno uporabo dajte v popravilo. Mnogo nesreč se pripeti zaradi slabo vzdrževanih električnih orodij.

- **Rezalna orodja naj bodo vedno nabrušena in čista.** Pravilno vzdrževana rezalna orodja z ostrimi rezili se težje zaskočijo in jih je lažje nadzirati.
- **Električno orodje, dodatke in dele orodja itd. uporabljajte v skladu s temi navodili, pri tem pa upoštevajte delovne pogoje in delo, ki ga boste opravljali.** Če boste električno orodje uporabljali za neustrezne namene, lahko pride do nevarnih situacij.

UPORABA IN VZDRŽEVANJE BATERIJSKEGA ORODJA

- **Baterijo polnite le s polnilnikom, ki ga določa proizvajalec.** Polnilnik, ki ustreza eni vrsti baterij, morda lahko povzroči požar, če z njim polnite drugo vrsto baterij.
- **Baterijska orodja uporabljajte samo s predpisano vrsto baterij.** Uporaba katerih koli drugih baterij ustvari tveganje poškodb in požara.
- **Ko baterijski sklop ni v uporabi, ga hranite ločeno od kovinskih predmetov, kot so sponke za papir, kovanci, ključi, žblji, vijaki ali drugi majhni kovinski predmeti, ki lahko povzročijo stik med eno in drugo sponko.** Kratek stik zaradi povezanih terminalov baterije lahko povzroči opeklino ali požar.
- **Ob zlorabi baterije lahko iz nje steče tekočina. Če se po nesreči dotaknete tekočine, mesto dotika sperite z vodo.** Če pride tekočina v stik z očmi, poiščite zdravstveno pomoč. Tekočina, ki izteče iz baterije, lahko povzroči vnetje ali opeklino.

SERVIS

- **Polnilnik naj servisira kvalificirano servisno osebje, ki uporablja le identične nadomestne dele.** To bo zagotovilo ohranjanje varnosti polnilnika.

VARNOSTNA OPOZORILO ZA OBREZOVALNIK ŽIVE MEJE

- **Delov telesa nikoli ne izpostavljajte rezilom. Ne odstranjujte zagozdenega materiala medtem, ko se rezilo premika. Prepričajte se, da je naprava izklopljena, ko odstranjujete zagozden material.** Trenutek nepazljivosti med uporabo obrezovalnika žive meje lahko povzroči resne telesne poškodbe.
- **Obrezovalnik žive meje prenašajte tako, da ga držite za ročaj, rezilo pa naj bo pri tem ustavljeno.** Med transportom ali skladiščenjem obrezovalnika žive meje vedno uporabljajte embalažo za shranjevanje. Ustrezno ravnanje z obrezovalnikom žive meje zmanjša tveganje poškodb zaradi rezil.
- **Električno orodje držite le za izolirane prijemalne površine, saj se lahko veriga dotika skrite napeljave.** Če se veriga žage dotakne žice, ki je pod električno napetostjo, se lahko izpostavljeni kovinski deli električnega orodja naelektrijo in povzročijo električni udar.
- **Pazite, da kabel ni v območju rezanja.** Med delom se kabel lahko skriva v vejevju, zato ga lahko nehote prerežete.
- **Pred rezanjem žive meje pregledajte za prisotnost tukjov, kot so žične ograje.**
- **Uporabljajte le obrezovalnik žive meje s pravilno nameščenim ščitnikom.** Uporaba obrezovalnika brez pravilno nameščenega ščitnika lahko vodi v resne telesne poškodbe.
- **Pri upravljanju obrezovalnika uporabljajte obe roki.** Uporaba samo ene roke lahko povzroči izgubo nadzora in resno telesno poškodbo.

⚠ OPOZORILO: Pred uporabo preverite živo mejo za prisotnost tukjov, kot so žične ograje. Uporabljajte le obrezovalnik žive meje s pravilno nameščenim ščitnikom. Uporaba obrezovalnika brez pravilno nameščenega ščitnika lahko vodi v resne telesne poškodbe.

POMEMBNA VARNOSTNA NAVODILA

- **Baterijskega obrezovalnika žive meje ne uporabljajte v dežju.**
- **Baterijskega sklopa ne polnite v dežju ali na vlažnih mestih.**
- **Napravo uporabljajte le z akumulatorskimi baterijami in polnilniki, navedenimi v sliki A.**
- **Pri rokovanju z obrezovalnikom žive meje ne prijemajte izpostavljenih rezil ali robov rezil.**
- **Naprave ne uporabljajte, ko ste na lestvi, vrhu strehe, drevesu ali ko stojite na drugi nestabilni podlagi.** Stabilna opora na trdni površini omogoča boljši nadzor nad obrezovalnikom žive meje v nepredvidenih situacijah.
- **Nikoli ne dovolite otrokom upravljanje obrezovalnika.**
- **Varnostnih naprav nikoli ne odstranjujte ali spreminjajte.** Redno preverjajte njihovo pravilno delovanje. Nikoli ne naredite ničesar, kar bi vplivalo na namensko funkcijo varnostne naprave ali bi zmanjšalo zaščito, ki jo zagotavlja varnostna naprava.
- **Obrezovalnika žive meje nikoli ne upravljajte brez primernih ščitnikov, plošč ali drugih varnostnih zaščitnih naprav.**

- Pred nadaljnjo uporabo obrezovalnika pregledjte poškodovane dele. Poškodovan ščitnik ali kateri koli drug del je treba natančno pregledati in določiti, če bo pravilno izvajal svojo predvideno funkcijo. Preverite nastavitve premikajočih se delov, njihove povezave, morebitne lome, namestitve in druge pogoje, ki bi lahko vplivali na delovanje naprave. Ščitnik ali drug del, ki je poškodovan, morajo ustrezno popraviti ali nadomestiti na pooblaščenem servisnem centru, razen če je v tem priročniku navedeno drugače.
- Redno preverjajte, če so vijaki za namestitev rezila in motorja dovolj trdno priviti. Prav tako vizualno pregledjte rezilo za poškodbe (npr. upognjenost, razpoke in izraba). Rezilo nadomestite le z rezilom proizvajalca EGO™.
- Če je rezilo upognjeno ali razpokano, ga zamenjajte. Neuravnano rezilo povzroča vibracije, ki lahko poškodujejo motorno enoto ali povzročijo telesno poškodbo.
- Če začne oprema nenormalno vibrirati, ustavite motor in takoj poskušajte ugotoviti vzrok. Vibracije so običajno opozorilo pred težavami.
- Obrezovalnik se lahko uporablja za rezanje stebel debeline manj kot 33 mm.
- Obrezujte le podnevi ali ob dobri umetni svetlobi.
- Pred servisiranjem, čiščenjem ali odstranjevanjem materiala z obrezovalnika žive meje odstranite ali odklopite baterijo.
- Naprave ne umivajte s cevjo. Voda naj ne pride v motor ali električne priključke.
- Pri servisiranju uporabljajte le identične nadomestne dele, navedene v tem priročniku. Uporaba delov, ki ne izpolnjujejo tehničnih zahtev originalne opreme, lahko vodi k neprimernemu delovanju in ogrozi varnosti.
- Sledite navodilom za mazanje in menjavo dodatkov.
- Ročaji naj bodo suhi, čisti in brez madežev olja ali masti.
- Ta navodila shranite. Pogosto jih preberite. Uporabite jih tudi za poučevanje ostalih, ki uporabljajo to napravo. Če to orodje komu posodite, posodite tudi ta navodila, da tako za preprečite nepravilno uporabo izdelka in možnosti poškodb.

TA NAVODILA SHRANITE!

TEHNIČNI PODATKI

Napetost		HT5100E	HT6500E
Voltage		56 V ---	56 V ---
Hitrost brez obremenitve	Visoka	1600 /min	1600 /min
	Nizka	1400 /min	1400 /min
Priporočena delovna temperatura:		od 0 °C do 40 °C	

Priporočena temperatura za shranjevanje:	od -20 °C do 70 °C		
Dolžina rezila	51 cm	65 cm	
Zmogljivost rezanja	33 mm	33 mm	
Teža (brez baterijskega sklopa, pokrova verige)	3,6 kg	3,8 kg	
Izmerjena raven zvočnega tlaka L_{WA}	90 dB(A) K=1,55 dB(A)	91,45 dB(A) K=1,08 dB(A)	
Raven zvočnega tlaka v položaju upravljavca L_{PA} K=2,5 dB(A)	81,5 dB(A)	81,4 dB(A)	
Zajamčena raven zvočnega tlaka L_{WA} (izmerjena glede na 2000/14/EC)	92 dB(A)	93 dB(A)	
Vibracije a_h K=1,5 m/s ²	Sprednji ročaj	3,369 m/s ²	5,313 m/s ²
	Zadnji ročaj	1,876 m/s ²	3,115 m/s ²

- Deklarirana skupna vrednost vibracij je bila izmerjena v skladu s standardno preskusno metodo in se lahko uporabi za medsebojno primerjavo različnih orodij.
- Navedena skupna vrednost vibracij se lahko uporabi za predhodne ocene izpostavljenosti.

OPOMBA: Emisije vibracij se lahko med dejansko uporabo električnega orodja razlikujejo od deklarirane vrednosti, pri kateri se orodje uporablja. Z namenom zaščite upravljavca mora uporabnik v dejanskih pogojih uporabe nositi rokavice in zaščito za ušesa.

SL

SEZNAM PAKIRANJA

IME DELA	KOLIČINA
Žive meje	1
Ščitnik rezila	1
Priročnik z navodili za uporabo	1

OPIS

SPOZNAJTE SVOJ OBREZOVALNIK ŽIVE MEJE (slika A)

1. Gumb za sprostitve baterije
2. Zadnji ročaj
3. Sprožilec odklepanja
4. Vzvod zadnjega stikala

5. Gumb za prilagajanje hitrosti
6. Sprednji ročaj
7. Vzvod sprednjega stikala
8. Ščitnik za roko
9. Ščitnik rezila
10. Rezilo
11. Zaščita konice
12. Zaklep
13. Električni kontakti
14. Reža za montažo
15. Mehanizem za izmet
16. Zaklep za ročaj
17. Ohišje motorja
18. Ščitnik

⚠ OPOZORILO: Izdelek je dobavljen popolnoma sestavljen. Ščitnika za roko ne smete nikoli odstraniti med uporabo. Če se poškoduje, ga naj nemudoma zamenja kvalificiran servisni tehnik.

⚠ OPOZORILO: Varna uporaba tega izdelka zahteva razumevanje informacij o orodju in v tem priročniku z navodili za uporabo, prav tako tudi znanje o projektu, ki ga boste izvedli. Pred uporabo tega izdelka se seznanite z vsemi funkcijami delovanja in varnostnimi pravili.

DELOVANJE

⚠ OPOZORILO: Četudi se dodobra seznanite s tem izdelkom, pri rokovanju z njim ne postanite neprevidni. Pomnite, da je brezskrbni delec sekunde dovolj za resno poškodbo.

⚠ OPOZORILO: Vedno nosite zaščito za oči, ki ima varovanje tudi s strani. Če tega ne storite, vam lahko v oči priletijo predmeti ali pa se lahko zgodijo druge hude poškodbe.

⚠ OPOZORILO: Da preprečite nenamerni zagon, ki bi lahko povzročil resno telesno poškodbo, pri nameščanju delov, prilagajanjem, čiščenjem in kadar ni v uporabi, vedno odstranite baterijski sklop.

⚠ OPOZORILO: Ne uporabljajte priključkov ali dodatkov, ki jih proizvajalec EGO™ ne priporoča. Uporaba priključkov ali dodatkov, ki niso priporočeni, lahko privede do resnih osebnih poškodb.

Pred vsako uporabo celoten izdelek preverite za poškodovane, manjkajoče ali odvite dele, kot so vijaki, matice, pokrovčki itd. Dobro privijte vsa zapanjala in pokrovčke ter izdelka ne uporabljajte dokler manjkajoč ali poškodovan del ni nameščen.

UPORABA

Ta izdelek lahko uporabljate za obrezovanje žive meje, grmov in grmovja s premerom vej manj kot Ø33mm.

OPOMBA: Izdelek se lahko uporablja samo za predpisani namen. Kakršna koli druga uporaba se smatra za nepravilno uporabo.

NAMEŠČANJE/ODSTRANJEVANJE BATERIJSKEGA SKLOPA

Pred prvo uporabo ga napolnite.

Nameščanje (slika B)

Rebra baterije poravnajte z režami za namestitev in baterijski sklop potisnite navzdol, da zaslišite klik.

Odstranjevanje (slika C)

Pritisnite gumb za sprostitev baterije in baterijski sklop potegnite ven.

⚠ OPOZORILO: Vedno bodite pozorni na lokacijo vaših stopal, otrok ali hišnih ljubljencev, ko pritisnete gumb za sprostitev baterije. Če baterijski sklop pade, lahko povzroči resne poškodbe. Baterijskega sklopa NIKOLI ne odstranjujte na visoki lokaciji.

ZAGON/ZAUSTAVITEV OBREZOVALNIKA ŽIVE MEJE

Pred upravljanjem odstranite ščitnik rezila in obrezovalnik držite z obema rokama. Eno roko imejte na zadnjem ročaju, drugo pa na sprednjem. Nato preverite za uravnoteženo oporo, pokončen položaj in primerno razdaljo za rezanje.

OPZORILO: Vedno imejte obe roki na ročajih obrezovalnika žive meje. Nikoli ne držite grmovja z eno roko, z druga pa upravljajte obrezovalnik. Če tega opozorila ne boste upoštevali, lahko pride do resnih poškodb.

Zagon

Z dlanjo pritisnite sprožilec za odklepanje, nato vzvod zadnjega stikala pritisnite navzgor. S pritiskom na vzvod zadnjega stikala nadaljujete tudi s pritiskom vzvoda sprednjega stikala za zagon.

Zaustavitev

Za zaustavitev sprostite enega izmed obeh vzvodov.

OPOMBA: Za zagon obrezovalnika morate pritisniti oba vzvoda.

UPORABA OBREZOVALNIKA ŽIVE MEJE

⚠ OPOZORILO: Če se rezilo zagodzi ob električni kabel, SE REZILA NE DOTIKAJTE! LAHKO POSTANE ELEKTRIČNO NAPETO IN ZELO NEVARNO. Obrezovalnik še naprej držite za izolirano zadnje držalo ali ga varno položite na tla in stran od sebe. Pred osvoboditvijo obrezovalnika iz poškodovanega kabla prekinite napajanje kabla. Če tega opozorila ne boste upoštevali, lahko pride do hudih poškodb ali celo smrti.

⚠ OPOZORILO: Za preprečitev resnih telesnih poškodb držite roke stran od rezila. Ne odstranjujte odrezanega materiala oziroma ne držite materiala, namenjenega obrezovanju, medtem ko se rezilo premika. Pred čiščenjem zagozdenega materiala iz rezil se prepričajte, da so se rezila povsem ustavila in da je baterijski sklop odstranjen. Pri rokovanju z enoto ne prijemajte izpostavljenih rezil ali robov rezil.

⚠ OPOZORILO: Območje rezanja pred vsako uporabo počistite. Odstranite vse predmete, kot so kabli, luči, žica ali vrvi, ki se lahko ovijejo v rezilo in ustvarijo nevarnost telesne poškodbe.

⚠ OPOZORILO: Izogibajte se prevelikim količinam obrezovanja skozi gosto grmičevje naenkrat. To lahko povzroči, da se rezila upognijo in upočasnijo, kar zmanjša učinkovitost obrezovanja.

OPOMBA: Za novo rast je pomembno široko pometanje, da stebela dovajajo neposredno v rezila. Za starejšo rast je za obrezovanje debelejših stebel dobro žaganje. Priporočamo uporabo ročne žage ali žage za obrezovanje, da z njo najprej obrežete velika stebela.

Zgornje rezanje

Uporabite gibanje v obliki širokega pometanja.. Rezila nagnite rahlo naprej v smeri gibanja, s čimer boste dosegli najboljše rezultate. Za boljši učinek rezanja, lahko uporabite tudi vrstico, da boste z njo določili nivo žive meje, kot prikazuje slika D.

Stransko rezanje

Pri obrezovanju strani žive meje začnite na dnu in režite navzgor, kot je prikazano na sliki E1 ali E2.

Osnovno rezanje

Zadnji ročaj obrezovalnika žive meje lahko nastavite v pet položajev ($0^\circ \pm 45^\circ / \pm 90^\circ$) tako, da izvlečete zapiralno (slike F1 do F5). Če je potrebno osnovno obrezovanje, zadnji ročaj nastavite na $\pm 45^\circ$ (sliki F2 in F4).

⚠ OPOZORILO: Pri prilagajanju ročaja se rezilo ne sme premikati.

OPOMBA: Med delovanjem mora biti rezilo vedno obrnjeno navzgor, ne glede na to, kako je usmerjen obrezovalnik žive meje.

Zaščita konice

Zaščita konice (slika G) se uporablja za zaščito zunanjega konca rezila.

Ščitnik rezila

Zunanji deli rezil so oblikovani kot ščitniki rezila (slika H).

H-1	Rezilo
H-2	Ščitnik rezila

OPOZORILO: vedno se prepričajte, da ščitnik rezila ni poškodovan ali zvit. Zvit ali poškodovan ščitnik zamenjajte.

VZDRŽEVANJE

⚠ OPOZORILO: Pri servisiranju uporabljajte le identične nadomestne dele. Uporaba drugih delov je tvegana in lahko povzroči škodo na izdelku. Za zagotovitev varnosti in zanesljivosti mora vsa popravila izvesti usposobljen serviser.

⚠ OPOZORILO: Da bi se izognili hudim telesnim poškodbam, med čiščenjem ali vzdrževanjem iz izdelka vedno odstranite baterije.

ČIŠČENJE

- Z mehko krtačo odstranite delce iz vseh odprtin za dovod zraka in rezil.
- Za odstranjevanje smole in drugih lepljivih ostankov rezila poprsite s topilom za smolo. Za kratek čas zaženite motor, da se bo topilo enakomerno porazdelilo.
- Površino obrišite s suho krpo.

⚠ OPOZORILO: Obrezovalnika nikoli ne čistite z vodo. Pri čiščenju plastičnih delov se izogibajte uporabi topil. Večina vrst plastik se lahko pri uporabi različnih komercialnih topil poškoduje. Za odstranjevanje umazanije, praha, olja in maščobe uporabljajte čiste krpe.

OSTRENJE REZILA

1. Iz obrezovalnika žive meje odstranite baterijski sklop.
2. Sklop rezila vrnite v prirež in spilitte izpostavljene dele površine vsakega zoba rezila. Odstranite kolikor je mogoče malo materiala.
3. Obrezovalnik odstranite iz primeža in rezilo nastavite tako, da bo izpostavljen del, ki še ni naostren. Zgornji postopek ponavljajte, da boste naostriili vse zobe rezila.

OPOMBA: Ne uporabljajte obrezovalnika s topim ali poškodovanim rezilom. To lahko povzroči preobremenitev in nezadovoljive rezultate rezanja.

MAZANJE REZILA

Za najboljše delovanje in daljšo življenjsko dobo rezila, obrezovalnik žive meje namažite z oljem za stroje pred in po vsaki uporabi.

Odstranite baterijski sklop in obrezovalnik postavite na ravno površino. Olje nanesite vzdolž roba zgornjega rezila.

OPOMBA: Pri daljši uporabi rezilo naoljite med uporabo.

⚠ OPOZORILO: Olja ne nanašajte, če obrezovalnik žive meje deluje.

MAZANJE ZOBNIKOV

Za najboljše delovanje in dolgotrajnejšo uporabo namažite zobnike obrezovalnika žive meje vsakih 25 obratovnih ur s posebno mastjo (vsakič 5–6 g na #1 in 10–12 g na #2).

SL OPOMBA: Za pomoč se obrnite na lokalnega serviserja podjetja ego.

Posebna mast mora biti skladna z navedenimi zahtevami.

1. Skladno s standardom DIN51818: stopnja penetracije stožca NLGI-2.
2. Sestavljena je iz sredstev za zgoščevanje iz poliuretana in sintetičnega mazalnega olja.
3. Odličen zagon pri nizki temperaturi, EP, mehanske škarje, odpornost proti abraziji in lastnosti oksidacijske stabilnosti.
4. Delovna temperatura je med –40 in 180 °C.

TRANSPORT IN SKLADIŠČENJE

- Pred skladiščenjem ali transportom obrezovalnika žive meje na rezilo vedno namestite ščitnik rezila. Bodite previdni, da se izognete ostrim zobem rezila.
- Pred skladiščenjem obrezovalnik žive meje temeljito očistite.

- Obrezovalnik žive meje skladiščite v notranjem suhem prostoru, ki je nedostopen otrokom.
- Ne shranjujte ga v bližini korozivnih sredstev, kot so vrtno kemikalije in soli za topljenje ledu.

⚠ OPOZORILO: Rezila so ostra. Pri sestavljanju rezil si nadenite nedrseče zaščitne rokavice za groba dela. Prstov in dlani ne postavljajte med rezila ali na mesta, kjer bi jih mehanizem lahko stisnil ali odrezal. NE dotikajte se rezil ali servisirajte enote, če je baterijski sklop nameščen.

Varovanje okolja



Električne opreme, polnilnika baterij in baterij/baterij, ki jih je mogoče polniti, ne odvrzite med gospodinjinske odpadke!

V skladu z evropskim zakonom 2012/19/EU glede električne in elektronske opreme, ki ni več uporabna, in v skladu z evropskim zakonom 2006/66/EC glede pokvarjenih ali izrabljenih baterijskih sklopov/baterij, je treba baterije zbrati ločeno.

Če električne naprave odvržete na smetišča, lahko nevarne snovi pronicajo v podtalnico in tako pridejo v prehranjevalno verigo, s čimer ogrozijo vaše zdravje in dobro počutje.

ODPRAVLJANJE TEŽAV

TEŽAVA	VZROK	REŠITEV
Obrezovalnik žive meje ne deluje.	<ul style="list-style-type: none"> ■ Baterijski sklop ni pritrjen na obrezovalnik žive meje. ■ Med obrezovalnikom in baterijo ni električnega stika. ■ Baterijski sklop je izpraznjen. ■ Baterijski sklop je prevroč. ■ Obrezovalnik žive meje je prevroč. ■ Oba vzvoda za stikali nista pritisnjena hkrati. ■ Rezilo je zagozdano. 	<ul style="list-style-type: none"> ■ Baterijski sklop pritrdite na obrezovalnik žive meje. ■ Odstranite baterijo, preverite kontakte in ponovno namestite baterijski sklop. ■ Napolnite baterijski sklop. ■ Baterijski sklop ali verižno žago ohladite do temperature, ki je nižja od 67 °C. ■ Sprostite oba vzvoda stikal. Dovolite, da se obrezovalnik ohladi pod 77 °C. ■ Vzvoda stikal na sprednjem in zadnjem ročaju pritisnite hkrati. ■ Iz orodja odstranite baterijski sklop. Oviro previdno odstranite, nato ponovno namestite baterijo in ponovno zaženite orodje.
Prevelike vibracije ali hrup.	<ul style="list-style-type: none"> ■ Suha ali razjedena rezila. ■ Rezilo ali podpora za rezilo je upognjena. ■ Zobje so upognjeni ali poškodovani. ■ Zrahljani vijaki rezila. 	<ul style="list-style-type: none"> ■ Namažite rezila v skladu z navodili v razdelku »MAZANJE REZILA« na strani 24 tega priročnika. ■ Namestite novo podporo za rezilo. Za zamenjavo rezila ali podpore rezila stopite v stik s servisnim centrom EGO. ■ Namestite novo rezilo. Za zamenjavo rezila stopite v stik s servisnim centrom EGO. ■ Privijte vijake rezila. S ključem vijak obrnite v smeri urinega kazalca in ga privijte.

GARANCIJA

GARANCIJSKA POLITIKA DRUŽBE EGO

Za popolne pogoje garancijske politike družbe EGO obiščite spletno stran egopowerplus.com.

PERSKAITYKITE VISĄ INSTRUKCIJĄ!



PERSKAITYKITE NAUDOJIMO INSTRUKCIJĄ IR ĮSITIKINKITE, AR JĄ SUPRATOTE

⚠ Liekamoji rizika! Žmonės, kuriems implantuoti elektroniniai prietaisai, pvz., širdies stimulatoriai, prieš pradėdami naudoti šį gaminį turėtų pasikonsultuoti su savo gydytoju (-ais). Šalia širdies stimulatoriaus veikianti elektros įranga gali sukelti širdies stimulatoriaus veikimo trukdžius arba gedimą.

⚠ ĮSPĖJIMAS: Norint užtikrinti saugų ir patikimą gaminio naudojimą, visus remonto ir keitimo darbus turi atlikti kvalifikuotas techninės priežiūros specialistas.

SAUGOS SIMBOLIAI

Šių simbolių paskirtis – atkreipti dėmesį į galimus pavojus. Gerai susipažinkite su saugos simboliais bei jų paaiškinimais ir juos įsidėmėkite. Simbolių įspėjimai patys savaime negali apsaugoti nuo pavojų.

Jais žymimi nurodymai ir įspėjimai neatstoja tinkamų nelaimingų atsitikimų prevencijos priemonių.

⚠ ĮSPĖJIMAS: Prieš pradėdami naudoti šį gaminį perskaitykite visus šioje naudojimo instrukcijoje pateiktus saugos nurodymus, taip pat susipažinkite su visais saugos įspėjamaisiais simboliais, tokiais kaip „PAVOJUS“, „ISPĖJIMAS“ ir „PERSPĖJIMAS“, ir įsitikinkite, kad juos supratote. Nesilaikant visų toliau išdėstytų nurodymų galima patirti elektros smūgį, sukelti gaisrą ir (arba) sunkiai susižeisti.

LT

SIMBOLIO REIKŠMĖ

SAUGOS ĮSPĖJAMASIS SIMBOLIS: nurodo PAVOJŲ, ĮSPĖJIMĄ, arba PERSPĖJIMĄ. Gali būti panaudotas su kitais simboliais arba piktogramomis.

⚠ ĮSPĖJIMAS: Naudojant bet kokius elektros prietaisus gali būti išsviesti ir pataikyti į akis pašaliniai objektai, galintys sunkiai sužeisti akis. Prieš pradėdami naudoti elektros prietaisą, visada užsidėkite apsauginius akinius arba apsauginius akinius su šonine apsauga ir, kai reikia, visą veidą dengiantį skydelį. Rekomenduojame naudoti platų matymo lauką užtikrinančią apsauginę kaukę ant akinių arba standartinius apsauginius akinius su šonine apsauga.

SAUGOS NURODYMAI

Šiame puslapyje pavaizduoti ir aprašyti saugos simboliai, kurių gali būti ant šio gaminio. Prieš pradėdami surinkti ir naudoti prietaisą, perskaitykite visus ant jo pateiktus nurodymus, įsitikinkite, kad juos supratote, ir jais vadovaukitės.

	Saugos įspėjimas	Nurodo galimą sužalojimo pavojų.
	Perskaitykite naudojimo instrukciją	Norėdamas sumažinti susižeidimo riziką, naudotojas privalo perskaityti naudojimo instrukciją.
	Nenaudokite lyjant lietu	ĮSPĖJIMAS: Nedirbkite su žoliapjove lyjant lietu, taip pat nepalikite lauke, kai lyja.
	Ašmenų ilgis	Ašmenų ilgis
	Kirpimo charakteristikos	Maks. ašmenų pjovimo pajėgumas
V	Voltas	Įtampa
A	Amperai	Srovė
Hz	Hercas	Dažnis (ciklai per sekundę)
W	Vatas	Galia
min	Minutės	Laikas
	Kintamoji elektros srovė	Srovės tipas
	Nuolatinė elektros srovė	Srovės tipas arba charakteristika
n ₀	Sūčiai be apkrovos	Sukimosi greitis, kai nėra apkrovos
.../min	Per minutę	Apsisukimai per minutę
SPM	Sūčiai per minutę	Sūkių dažnis, kai nėra apkrovos

BENDRIEJI DARBO SU ELEKTRINIAIS ĮRENGINIAIS SAUGOS ĮSPĖJIMAI

⚠ ĮSPĖJIMAS: perskaitykite visus saugos įspėjimus ir instrukcijas. Jei bus blaškomas jūsų dėmesys, galite prarasti įrenginio valdymą. Visus įspėjimus ir instrukcijas saugokite vėlesniam naudojimui.

Visus išpėjimus ir instrukcijas saugokite vėlesniam naudojimui.

Terminu „elektrinis įrenginys“ išpėjimuose vadinamas elektros energiją (prijungtas laidu) naudojančias elektrinis įrenginys arba baterijos energiją naudojančias (akumuliatorinis) elektrinis įrenginys.

DARBO VIETOS SAUGA

- Darbo vieta turi būti švari ir gerai apšviesta. Jei darbo vieta netvarkinga ar blogai apšviesta, gali įvykti nelaimingų atsitikimų.
- Nedirbkite su elektros prietaisų sprogiuose aplinkoje, pavyzdžiui, ten, kur yra degių skysčių, dujų arba dulkių. Elektros prietaisai gali kibirkščiuoti, o nuo kibirkščių gali užsidegti dulksės arba susikaupę garai.
- Dirbdami su elektros prietaisais neleiskite šalia būti vaikams ir pašaliniais stebėtojams. Nukreipę dėmesį kitur galite nebesuvaldyti prietaiso.

ELEKTROS SAUGA

- Elektros įrenginių kištukai turi tikti kištukiniams lizdams. Niekada nebandykite kaip nors pakeisti kištuko. Nenaudokite jokių kištuko adapterių su įžemintais prietaisais. Originalūs kištukai, tiksliai tinkantys elektros tinklo lizdui, sumažina elektros smūgio pavojų.
- Venkite kūno kontakto su įžemintais paviršiais, tokiais kaip vamzdžiai, šildytuvai, viryklės ir šaldytuvai. Jei jūsų kūnas bus įžemintas, padidės elektros smūgio pavojus.
- Saugokite elektros prietaisus nuo lietaus ar drėgmės. Vandeniui patekus į elektros prietaiso vidų padidėja elektros smūgio pavojus.
- Nenaudokite laido netinkamai. Neneškite ir netempkite prietaiso paėmę už laido, netraukite už laido, norėdami išjungti kištuką iš lizdo. Laidą tieskite taip, kad jo neveiktų karštis, jis neišsitemptų alyva ir jo nepažeistų aštrios detalės ar judančios prietaiso dalys. Pažeidus arba supainiojus laidus kyla didesnė rizika patirti elektros smūgį.
- Naudodamiesi elektros prietaisu lauke, naudokite laukui skirtą laido ilgintuvą. Naudojantis laukui skirtu laidu mažėja rizika patirti elektros smūgį.
- Jeigu elektrinio įrenginio naudojimas drėgnoje vietoje yra neišvengiamas, naudokite maitinimo šaltinį su apsauginio išjungimo įtaisu (RCD). RCD naudojimas sumažina elektros smūgio pavojų.

ASMENINĖ SAUGA

- Dirbdami su elektros prietaisais būkite atidūs, sutelkite dėmesį į tai, ką darote ir, vadovaukiantis sveiku protu. Nedirbkite su prietaisais, jei esate pavargę arba vartojote narkotikus, alkoholių ar medikamentus. Dirbant su elektros prietaisais užtenka vienos neatidumo akimirkos ir galima sunkiai susižeisti.
- Naudokite asmens saugos priemones. Visada dėvėkite apsauginius akinius. Naudojant asmenines saugos priemones, pvz., apsaugos nuo dulkių kaukę, neslystančius batus, apsauginį šalną ar klausos apsaugos priemones, rekomenduojamas dirbant tam tikromis sąlygomis, sumažėja rizika susižeisti.
- Apsaugokite nuo atsitiktinio išjungimo. Prieš jungdami įrenginį prie maitinimo šaltinio ir (arba) sudėtinės baterijos, paimdami ar nešdami įrenginį, įsitinkinkite, kad jungiklis yra išjungtoje padėtyje. Jeigu pamešant įrenginį laikote pirštą ant jungiklio arba jungiate prie maitinimo šaltinio įrenginį, kurio jungiklis yra įjungimo padėtyje, galite sukelti nelaimingą atsitikimą.
- Prieš įjungdami prietaisą pašalinkite visus reguliuojamus įrenginius arba veržliarakčius. Prietaiso besisukančioje dalyje likus įrenginiui ar veržliarakčiui galima susižeisti.
- Nepervertinkite savo galimybių. Dirbdami tvirtai stovėkite ir visada išlaikykite pusiausvyrą. Tai leis geriau valdyti prietaisą netikėtose situacijose.
- Dėvėkite tinkamus drabužius. Nedėvėkite laisvų drabužių ir nenešiotkite laisvai kabančių papuošalų. Saugokite plaukus, drabužius ir pirštines nuo besisukančių prietaiso dalių. Laisvus drabužius, papuošalus ar ilgus plaukus gali įtraukti besisukančios dalys.
- Jei yra numatyta galimybė prijungti dulkių nusiurbimo ar surinkimo įtaisus, visada užtikrinkite, kad jie būtų prijungti ir naudojami teisingai. Naudojant dulkių filtravimo įtaisus gali būti sumažintas kenksmingas dulkių poveikis.

ELEKTRINIŲ ĮRENGINIŲ NAUDOJIMAS IR PRIEŽIŪRA

- Neperkraukite prietaiso. Naudokite jūsų darbui tinkamą elektros prietaisą. Naudodami tinkamą elektros prietaisą Jūs dirbsite geriau ir saugiau, jei neviršysite nurodytos apkrovos.
- Nenaudokite elektros prietaiso, jeigu nebegalima įjungti ar išjungti jo jungiklio. Elektros prietaisas, kuris negali būti įjungiamas ar išjungiamas jungikliu, yra pavojingas ir turi būti remontuojamas.
- Prieš atlikdami bet kokius elektrinių įrenginių derinimo, priedų keitimo arba sandėliavimo darbus, atjunkite kištuką nuo maitinimo šaltinio ir (arba) sudėtinę bateriją nuo elektrinio įrenginio. Ši saugumo priemonė apsaugos jus nuo netyčinio prietaiso įjungimo.

- Nenaudojamą prietaisą laikykite vaikams ir nemokantiems juo naudotis asmenims neprieinamoje vietoje. Elektros prietaisai yra pavojingi, kai juos naudoja nepatyrę asmenys.
- Rūpinkitės elektros prietaisų būkle. Tikrinkite, ar besisukiančios prietaiso dalys tinkamai suderintos ir niekur nekliūva, ar nėra sulūžusių ar kitaip pažeistų dalių, kurios pablogintų prietaiso veikimą. Prieš vėl naudojant prietaisą pažeistos prietaiso dalys turi būti suremontuotos. Daugelio nelaimingų atsitikimų priežastis yra netinkama elektros prietaisų priežiūra.
- Pjovimo įrenginiai turi būti aštrūs ir švarūs. Rūpestingai prižiūrėti pjovimo įrenginiai su aštriomis pjaunamosiomis briaunomis mažiau stringa ir juos yra lengviau valdyti;
- Elektrinius įrenginius, priedus, įrenginių antgalius ir pan. naudokite vadovaudamiesi jų instrukcijomis, atsižvelgdami į darbo sąlygas ir atliekamą darbą. Naudojant elektros prietaisus ne pagal paskirtį gali kilti pavojingos situacijos.
- Gyvatvorių žirkles neškite už rankenos, esant išjungtiems žirklių ašmenims. Kai gabenate arba sandėliuojate gyvatvorių žirkles, visada uždėkite ašmenų gaubtą. Tinkamas gyvatvorių žirklių naudojimas sumažins galimą susižalojimą į pjovimo ašmenis.
- Elektrinį įrenginį laikykite tik už izoliuoto, laikymui skirto paviršiaus, nes kerpant žirklių ašmenys gali prisiliesti prie tarp šakų pasislėpusio elektros laido. Ašmenys, prisilietę prie laido, kuriuo teka elektros srovė, gali ją perduoti į kitas metalines įrenginio dalis ir operatoriui sukelti elektros smūgį.
- Laidą laikykite atokiau nuo pjovimo vietos. Darbo metu laidas gali pasislėpti krūmuose ir ašmenys gali jį atsitiktinai įpjauti.
- Prieš kirpimą, patikrinkite gyvatvorę ar nėra pašalinių objektų, pvz., vielinės tvoros.
- Gyvatvorių žirkles naudokite tik su tinkamai sumontuota apsauga. Gyvatvorių žirkles naudodami be tinkamos apsaugos, galite sunkiai susižaloti!
- Kai dirbate su gyvatvorių žirkėmis, laikykite jas abejomis rankomis. Laikydami tik viena ranka galite prarasti įrenginio valdymą ir sunkiai susižaloti.

BATERIJŲ NAUDOJIMAS IR PRIEŽIŪRA

- Pakartotinai kraukite tik naudodamiesi gamintojo nurodytu įkrovikliu. Naudojant kitam akumuliatoriaus tipui tinkamą įkroviklį gali kilti gaisro rizika.
- Elektros prietaisus naudokite tik su jiems skirtomis sudėtinėmis baterijomis. Naudojant kitokias sudėtines baterijas gali kilti sužeidimų ir gaisro pavojus.
- Nenaudojama sudėtinė baterija turi būti laikoma atokiau nuo metalinių objektų, tokių kaip sąvaržėlės, monetos, raktai, viny, varžtai ar kiti metaliniai objektai, galintys sujungti abu baterijos gnybtus. Įvykus trumpajam jungimui tarp baterijos gnybtų galima nusidiegti ar gali kilti gaisras.
- Dėl netinkamų sąlygų iš akumuliatoriaus gali iškėti skystis – nelieskite jo. Atsitiktinai patekus ant odos, nedelsiant nuplaukite vandeniu. Jeigu skystis pateko į akis, papildomai kreipkitės pagalbos į gydytojus. Iš akumuliatoriaus iškėjęs skystis gali dirginti arba nudeginti.

TECHNINĖ PRIEŽIŪRA

- Prietaisą gali remontuoti tik kvalifikuotas specialistas, naudodamas tik originalias atsargines dalis. Taip bus užtikrinta, jog prietaisas išliks saugus.

GYVATVORIŲ ŽIRKLIŲ SAUGOS ĮSPĖJIMAI

- Visas kūno dalis laikykite atokiau nuo gyvatvorės žirklių ašmenų. Kai ašmenys juda, nebandykite išimti nupjautų šakelių arba jas laikyti pjovimo metu. Kai šalinatę įstrigusias šakeles, isitinkinkite, kad jungiklis yra išjungtas. Neatidžiai dirbdami su gyvatvorių žirkėmis, galite sunkiai susižaloti.

⚠ ĮSPĖJIMAS: prieš kirpimą, patikrinkite gyvatvorę ar nėra pašalinių objektų, pvz., vielinės tvoros. Gyvatvorių žirkles naudokite tik su tinkamai sumontuota apsauga. Gyvatvorių žirkles naudodami be tinkamos apsaugos, galite sunkiai susižaloti!

SVARBŪS SAUGOS NURODYMAI

- Nenaudokite akumuliatorių gyvatvorių žirklių lyjant lietuvi.
- Nekraukite akumuliatoriaus lietuje arba esant drėgnoms sąlygoms.
- Naudokite tik su A paveiksle nurodytomis sudėtinėmis baterijomis ir įkrovikliais.
- Paimdami arba laikydami gyvatvorių žirkles, neimkite už neuždengtų ašmenų arba pjovimo briaunų.
- Nenaudokite ant kopėčių, stogo, medžio arba kito nestabiliaus paviršiaus. Stabili stovėseną ir tvirtas paviršius užtikrina geresnį gyvatvorių žirklių valdymą netikėtose situacijose.
- Niekada neleiskite vaikams naudoti gyvatvorių žirklių.

- Niekada nenuimkite ir nemodifikuokite saugos įtaisų. Reguliariai patikrinkite, ar jie tinkamai veikia. Niekada nedarykite nieko, kas trukdytų saugos įtaisui atlikti numatytąją funkciją arba sumažintų saugos įtaiso suteikiamą apsaugą.
- Niekada nenaudokite gyvatvorių žirklių, jeigu nėra sumontuotos tinkamos apsaugos, plokštės arba kitos apsaugos priemonės.
- Prieš pradėdami naudoti gyvatvorių žirkles, patikrinkite ar nėra sugadintų dalių. Reikia atidžiai patikrinti, ar nepažeistos apsaugos priemonės ar kitos dalys, siekiant nustatyti, ar jos veiks tinkamai ir atliks savo paskirtį. Patikrinkite, ar judamos dalys suderintos, judamos dalys pritvirtintos, ar nėra dalių, jungčių pažeidimų, be to, ar nėra kitų sąlygų, kurios gali turėti įtakos jos veikimui. Pažeistos apsaugos priemonės ar kitos dalys turėtų būti tinkamai suremontuotos arba pakeistos įgaliotame techninės priežiūros centre, jei šiame vadove nenurodyta kitaip.
- Dažnai patikrinkite, ar peilio ir variklio tvirtinimo varžtai tinkamai priveržti. Taip pat, apžiūrėkite, ar peilis nepažeistas (pvz., neįlenktas, neiškūtas ir nesusišėjęs). Ašmenis keiskite tik kitais EGO™ ašmenimis.
- Jeigu ašmenys yra sulenkti arba įtrūkę, pakeiskite juos. Nesubalansuoti ašmenys sukelia vibracijas, kurios gali sugadinti elektros variklį arba sužaloti operatorių.
- Jei įrenginys pradeda neįprastai vibruoti, nedelsdami išjunkite variklį ir nustatykite priežastį. Vibracija paprastai įspėja apie problemą.
- Gyvatvorių žirklys skirtas karpyti iki 33 mm storio šakoms.
- Kirpkite tik dienos metu arba esant geram dirbtiniam apšvietimui.
- Prieš atlikdami techninės priežiūros, valymo arba kirpimo metu susidariusių likučių šalinimo iš gyvatvorių žirklių darbus, išimkite arba atjunkite bateriją.
- Neplaukite žoliapjovės su vandens žarna. Saugokite, kad vandens nepatektų ant variklio ir elektros jungčių.
- Atlikdami techninės priežiūros darbus, naudokite tik identiškas atsargines dalis, nurodytas šioje instrukcijoje. Naudojant dalis, kurios neatitinka originalios įrangos specifikacijos, vejapjovė gali netinkamai veikti ir tapti nesaugi.
- Laikykitės nurodymų dėl tepimo ir priedų keitimo.
- Pasirūpinkite, kad rankenos būtų sausas, švarios ir nesuteptos alyva arba tepalu.
- Išsaugokite šias instrukcijas. Dažnai jas pavartykite ir naudokitės jomis mokydami kitus asmenis, kurie gali naudoti šį prietaisą. Skolindami šį prietaisą kam nors kitam, taip pat paskolinkite ir šias instrukcijas, kad būtų išvengta netinkamo produkto naudojimo arba galimo susižeidimo.

ĮSAUGOKITE ŠIAS INSTRUKCIJAS!

TECHNINIAI DUOMENYS

Modelio numeris	HT5100E	HT6500E	
Įtampa	56 V ---	56 V ---	
Sūkiai bei apgrovos	Aukštai	1600 /min	1600 /min
	Žemai	1400 /min	1400 /min
Rekomenduojama darbinė temperatūra:	0–40 °C		
Rekomenduojama laikymo temperatūra:	-20°C-70°C		
Ašmenų ilgis	51 cm	65 cm	
Kirpimo charakteristikos	33 mm	33 mm	
Svoris (be sudėtinės baterijos)	3,6 kg	3,8 kg	
Išmatuotas garso galios lygis L _{WA}	90 dB(A) K = 1,55 dB(A)	91,45 dB(A) K = 1,08 dB(A)	
Garso slėgio lygis operatoriaus padėtyje L _{PA}	81,5 dB(A) K = 2,5 dB(A)	81,4 dB(A)	
Garantuojamas garso galios lygis L _{WA} (išmatuotas pagal 2000/14/EB)	92 dB(A)	93 dB(A)	
Vibracija a _h K=1,5 m/s ²	Priekinė rankena	3,369 m/s ²	5,313 m/s ²
	Galinė rankena	1,876 m/s ²	3,115 m/s ²

- Nurodyta bendroji vibracijos vertė išmatuota taikant standartinį bandymo metodą, todėl pagal ją galima palyginti skirtingus įrenginius.
- Nurodytą bendrąją vibracijos vertę taip pat galima naudoti pirminiam poveikio vertinimui.

PASTABA: Naudojant įrenginį realiomis sąlygomis, skleidžiamos vibracijos stiprumo vertė gali skirtis nuo nurodytos. Kad apsaugotumėte dirbdamas realiomis sąlygomis, naudotojas turi mūvėti pirštines ir naudoti ausų apsaugos priemones.

PAKUOTĖS TURINIO SĄRAŠAS

DALIES PAVADINIMAS	SKAIČIUS
Gyvatvorių žirklys	1
Skydelio	1
Naudojimo instrukcija	1

APRAŠAS

SUŽINOKITE, KAIP VEIKIA GYVATVORIŲ ŽIRKLĖS

(A pav.)

1. Akumulatoriaus atkabinimo mygtukas
2. Galinė rankena
3. Gaiduko fiksatorius
4. Galinė perjungimo svirtis
5. Greičio reguliavimo rankenėlė
6. Priekinė rankena
7. Priekinė perjungimo svirtis
8. Rankos apsauga
9. Ašmenų apsauginis gaubtas
10. Ašmenys
11. Ašmenų galo apsauginis antgalis
12. Fiksatorius
13. Elektros grandinės kontaktai
14. Tvirtinimo lizdas
15. Išstūmimo mechanizmas
16. Rankenų blokavimo įtaisas
17. Variklio korpusas
18. Skydelis

⚠ ĮSPĖJIMAS: Šis produktas pristatomas visiškai surinktas. Naudojant prietaisą jokių būdu negalima nuimti rankos apsaugos. Jei rankos apsauga pažeista, nedelsdami paveskite ją pakeisti kvalifikuotam specialistui.

⚠ ĮSPĖJIMAS: saugiam šio gaminio naudojimui reikalingas ant įrenginio ir naudotojo vadove pateiktos informacijos supratimas, taip pat pat projekto, kurį planuojate vykdyti, žinojimas. Prieš pradėdami naudoti šį įrenginį, susipažinkite su visomis veikimo funkcijomis ir saugos taisyklėmis.

NAUDOJIMAS

⚠ ĮSPĖJIMAS: mokėjimas naudotis įrenginiu nesuteikia teisės dirbti nerūpestingai. Atsiminkite, kad trumpam atitraukę dėmesį galite sunkiai susižaloti.

⚠ ĮSPĖJIMAS: visada dėvėkite akinius su šonine apsauga ir ausų apsaugą. Nesilaikant šio nurodymo, objektai gali būti sviedžiami jums į akis arba galite būti kitaip sunkiai sužaloti.

⚠ ĮSPĖJIMAS: Norėdami išvengti atsitiktinio paleidimo, kuris gali lemti sunkų sužalojimą, visada išimkite sudėtinę bateriją iš įrenginio, kai montuojate dalis, reguliuojate, valote arba nenaudojate įrenginio.

⚠ ĮSPĖJIMAS: nenaudokite bet kokių priedų arba įtaisų, kurių nerekomendavo EGO™. Naudodami nerekomenduojamus priedus arba įtaisas galite sunkiai susižaloti.

Prieš kiekvieną naudojimą patikrinkite visą įrenginį, ar nėra sugadintas, netrūksta dalių arba, ar jos nėra atsilaisvinusios (sraigatai, varžlės, varžtai, dangteliai ir pan.). Priveržkite visus tvirtinimo elementus ir uždėkite dangtelius. Nenaudokite įrenginio, kol nebus sumontuotos trūkstantos arba pakeistos sugadintos dalys.

PASKIRTIS

Gyvatvorių, krūmokšnių ir krūmų, kurių šakos ne storesnės kaip Ø33 mm, kirpimui ir formavimui.

PASTABA: Šį įrenginį reikia naudoti tik pagal nurodytą paskirtį. Naudojimas bet koku kitu tikslu laikomas netinkamu naudojimu.

SUDĖTINĖS BATERIJOS ĮSTATYMAS / IŠĖMIMAS

Prieš naudodami pirmą kartą, įkraukite.

Montavimas (B pav.)

Sulyginkite baterijos briauneles su įleidimo grioveliais ir paspauskite sudėtinę bateriją žemyn, kol išgirsite trakstelėjimą.

Išėmimas (C pav.)

Paspauskite baterijos išėmimo mygtuką ir išimkite sudėtinę bateriją.

⚠ ĮSPĖJIMAS: prieš nuspausdami baterijos atkabinimo mygtuką, visada žinokite savo kojų, vaikų arba gyvūnų buvimą padėtyje. Krisdama sudėtinė baterija gali sunkiai sužaloti. NIEKADA nenuimkite sudėtinę bateriją aukštyje.

GYVATVORIŲ ŽIRKLIŲ PALEIDIMAS / STABDYMAS

Prieš pradėdami darbą nuimkite ašmenų apsaugą ir suimkite žirkles abiem rankomis, t. y. viena ranka galinę rankeną, o kita priekinę rankeną. Įsitinkite, kad stovite tvirtai ir tiesiai, taip pat tinkamas pjovimo atstumas.

⚠ ĮSPĖJIMAS: visada abejomis rankomis laikykite gyvatvorių žirklių rankenas. Niekada viena ranka nelaikykite krūmo, o kita gyvatvorių žirklių. Nesilaikydami šio nurodymo galite sunkiai susižaloti.

Įjungimas

Ranka paspauskite gaiduko fiksatorių ir pastumkite aukštyn galinę perjungimo svirtį. Nuspaudę galinę perjungimo svirtį, toliau spauskite priekinę perjungimo svirtį, kad prietaisas pradėtų veikti.

Stabdant

Norėdami sustabdyti gyvatvorių žirkles, atleiskite vieną iš svirčių.

PASTABA: Norint įjungti gyvatvorių žirkles, turi būti nuspaustos abejos svirtys.

GYVATVORIŲ ŽIRKLIŲ NAUDOJIMAS

⚠️ ĮSPĖJIMAS: jeigu užstringa ašmenys, maitinimo laidas arba elektros linijos laidai, **NELIESKITE AŠMENŲ!** JAIS GALI TEKĖTI ELEKTROS SROVĖ, O TAI GALI BŪTI LABAI PAVOJINGA. Laikykite gyvatvorių žirkles už izoliuotų rankenų arba padėkite toliau nuo savęs saugiu būdu. Prieš bandydami išlaisvinti ašmenis, atjunkite maitinimo laidą arba elektros tiekimo liniją. Nesilaikydami šio nurodymo galite sunkiai arba net mirtinai susižaloti.

⚠️ ĮSPĖJIMAS: norėdami išvengti rimtų sužalojimų, laikykite rankas toliau nuo ašmenų. Kai ašmenys juda, nebandykite išimti nupjautų šakelių arba jas laikyti pjovimo metu. Prieš šalindami įstrigusias šakeles iš ašmenų, įsitikinkite, kad ašmenys visiškai sustojo ir akumulatorius yra išimtas. Paimdami arba laikydami įrenginį, neimkite už neuždengtų ašmenų arba pjovimo briaunų.

⚠️ ĮSPĖJIMAS: Prieš kiekvieną naudojimą išvalykite jauną plotą. Pašalinkite visus daiktus, kabelius, lempas, laidus arba virves, kurios gali įsipainioti tarp ašmenų ir kelti sunkaus sužalojimo pavojų.

⚠️ ĮSPĖJIMAS: Venkite kirpti per daug vienu metu arba per tankius krūmus. Dėl to ašmenys gali strigti ir sulėtėti, taip sumažėjant kirpimo našumui.

PASTABA: Kirpdami naujai išaugusią augmeniją, naudokite platų mojų, kad stiebai patektų tiesiai į ašmenis. Paaugusi augmenija turi storesnius stiebus, todėl juos lengviau nupjausite naudodami pjovimo judesį. Apipjaustyti dideliems stiebams pirmiausia siūlomas nevariklinis rankinis pjūklas arba genėjimo pjūklas.

VIRŠŪNĖS KIRPIMAS

Naudokite platų mojų. Geriausiems kirpimo rezultatams užtikrinti nepamarkiai paverskite ašmenis žemyn kirpimo kryptimi. Jeigu pageidaujate, galite naudoti virvę, kurios pagalba reguliuosite gyvatvorės pjovimo aukštį, kaip parodyta D pav.

Šonų kirpimas

Kai kerpate gyvatvorės šonus, pradėkite nuo apačios ir kirpkite į viršų (žr. E1 arba E2 pav.).

Radikalus kirpimas

Gyvatvorių žirklių galinę rankeną, ją ištraukiant iš laikiklio, galima nustatyti į penkias padėtis (0°/±45°/±90°) (F1–F5 pav.). Jeigu reikalingas radikalus kirpimas, nustatykite galinę rankeną ±45° kampu (F2 ir F4 pav.), kad galėtumėte kirpti.

⚠️ ĮSPĖJIMAS: Reguluojant rankeną pjovimo ašmenys turi nejudėti.

PASTABA: Dirbant rankena visada turi būti pasukta į viršų, nesvarbu, į kur nukreiptos gyvatvorių žirklys.

Ašmenų galo apsauginis antgalis

Ašmenų galo apsauginis antgalis (G pav.) skirtas apsaugoti išorinį ašmenų galą.

Ašmenų apsauginis gaubtas

Išorinė ašmenų dalis yra sukonstruota kaip apsauginis ašmenų gaubtas (H pav.).

H-1	Ašmenys
H-2	Ašmenų apsauginis gaubtas

⚠️ ĮSPĖJIMAS: Visada patikrinkite, ar apsauginis ašmenų gaubtas nėra pažeistas arba deformuotas. Jei jis sulenktas arba pažeistas, pakeiskite.

TECHNINĖ PRIEŽIŪRA

⚠️ ĮSPĖJIMAS: Atlikdami techninės priežiūros darbus, naudokite tik identiškas atsargines dalis. Naudojant bet kokias kitas dalis, gali kilti pavojus arba sugesti gaminys. Norint užtikrinti saugų ir patikimą gaminio naudojimą visus remonto darbus turi atlikti kvalifikuotas techninės priežiūros specialistas.

⚠️ ĮSPĖJIMAS: norėdami išvengti rimtų sužeidimų, visada išimkite akumulatorių iš įrenginio, kai valote arba atliekate techninę priežiūrą.

VALYMAS

- Nešvarumų nuo ašmenų ir oro įsiurbimo angų šalinimui naudokite minkštą šepetėlį.
- Dervos arba kitų lipnių nešvarumų šalinimui užpurkškite dervos tirpiklio ant ašmenų. Trumpam įjunkite variklį, kad tirpiklis tolygiai pasiskirstytų.
- Sausa šluoste švariai nuvalykite paviršių.

⚠️ ĮSPĖJIMAS: niekada žoliapjovės valymui nenaudokite vandens. Valydami plastikines dalis nenaudokite tirpiklių. Įvairūs komerciniai tirpikliai ardo daugelį plastikų. Purvo, dulkių, alyvos, tepalo ir pan. valymui naudokite švarų audinį.

AŠMENŲ GALANDIMAS

1. Iš gyvatvorių žirklių išimkite sudėtinę bateriją.
2. Į spaustuvus įtvirtinkite ašmenis ir dilde pagalaškite kiekvieną ašmens dantuką. Pasistenkite galąsdami pašalinti kuo mažiau metalo.
3. Išimkite gyvatvorių žirkles iš spaustuvų, kad atidengtumėte nepagaląstus ašmenų dantukus. Pakartokite anksčiau aprašytą galandimo procedūrą, kol visi ašmenų dantukai bus pagalašti.

PASTABA: nenaudokite gyvatvorių žirklių, jeigu ašmenys atbukę arba sugadinti. Dėl to įrenginys gali būti perkrautas ir suprastėti kirpimo rezultatai.

AŠMENŲ TEPIMAS

Geriausiam veikimui ir ilgesniam ašmenų naudojimui, prieš kiekvieną naudojimą ir po jo, tepkite gyvatvorių žirklių ašmenis lengva mašinine alyva.

Iš gyvatvorių žirklių išimkite sudėtinę bateriją, o gyvatvorių žirkles paguldykite ant lygaus paviršiaus. Viršutinės ašmenų briauną išilgai sutepkite lengva mašinine alyva.

PASTABA: Jeigu gyvatvorių žirkles naudosite ilgesnį laikotarpį, sutepkite ašmenis naudojimo metu.

⚠️ ĮSPĖJIMAS: netepkite alyva veikiančių gyvatvorių žirklių.

KRUMPLINĖS PAVAROS TEPIMAS

Kad gyvatvorių žirkles geriau ir ilgiau dirbtų, sutepkite jų krumplinę pavarą specialiu tepalu (5–6 g pirmąjį kartą ir po 10–12 g kiekvieną kitą kartą) kas 25 darbo valandas.

PASTABA: Dėl pagalbos prašome kreiptis į vietinį ego techninės priežiūros centrą.

Specialus tepalas turi atitikti šiuos reikalavimus:

1. Atitikti DIN 51818 standartą; NLGI-2 kūgio skvarbos laipsnis.
2. Sudarytas iš polikarbamidinių tirštiklių ir sintetinės tepimo alyvos.
3. Nepraranda savo savybių žemoje temperatūroje, atsparus mechaninei šlyčiai, dilimui ir oksidacijai.
4. Darbinė temperatūra nuo –40 °C iki 180 °C.

TRANSPORTAVIMAS IR SANDĖLIAVIMAS

- Prieš gyvatvorių žirklių gabenimą ir sandėliavimą, visada uždėkite ašmenų apsaugą ant ašmenų. Būkite atsargūs ir nesilieskite prie aštrių ašmenų dantukų.
- Prieš sandėliavimą kruopščiai nuvalykite gyvatvorių žirkles.
- Gyvatvorių žirkles sandėliuokite sausoje patalpoje, nepasiekiamoje vaikams vietoje.
- Laikykite atokiau nuo koroziją sukeliančių medžiagų, kaip sodo chemikalai ir techninės druskos.

⚠️ ĮSPĖJIMAS: ašmenys yra aštrūs. Atlikdami veiksmus su ašmenimis, mūvėkite neslidžias ir tvirtas apsaugines pirštines. Nekiškite rankos arba pirštų tarp ašmenų arba tokioje padėtyje, kur jie gali būti sugnybti arba įpjauti. NIEKADA nelieskite ašmenų arba neatlikite techninės priežiūros, jeigu į įrenginį įstatyta sudėtinė baterija.

Aplinkos apsauga



Neišmeskite elektros įrangos, akumulatoriaus įkroviklio ir baterijų / akumuliatorių su buitiniemis atliekomis!

Pagal Europos Parlamento ir Tarybos direktyvas 2012/19/EB ir 2006/66/EB nenaudojama elektros bei elektronikos įranga ir nenaudojami arba sugedę akumuliatoriai ir (arba) baterijos turi būti surenkami atskirai.

Elektros prietaisus užkasus su atliekomis arba išmetus sąvartynuose, pavojingos medžiagos gali patekti į gruntinį vandenį ir į maisto grandinę, taip pakenkti jūsų sveikatai ir gerovei.

TRIKČIŲ DIAGNOSTIKA IR JŲ ŠALINIMAS

PROBLEMA	PRIEŽASTIS	SPRENDIMAS
Gyvatvorių žirkklės neveikia	<ul style="list-style-type: none"> ■ Sudėtinė baterija neprijungta prie gyvatvorių žirkklių. 	<ul style="list-style-type: none"> ■ Prijunkite sudėtinę bateriją prie gyvatvorių žirkklių.
	<ul style="list-style-type: none"> ■ Nėra elektros kontakto tarp gyvatvorių žirkklių ir baterijos. 	<ul style="list-style-type: none"> ■ Išimkite sudėtinę bateriją, patikrinkite kontaktus ir vėl įstatykite sudėtinę bateriją.
	<ul style="list-style-type: none"> ■ Sudėtinė baterija visiškai išsikrovusi. 	<ul style="list-style-type: none"> ■ Įkraukite sudėtinę bateriją.
	<ul style="list-style-type: none"> ■ Sudėtinė baterija yra pernelyg įkaitusi. 	<ul style="list-style-type: none"> ■ Išimkite sudėtinę bateriją iš įrenginio ir leiskite jam atvėsti, kol temperatūra nukris žemiau 67°C.
	<ul style="list-style-type: none"> ■ Gyvatvorių žirkklės yra pernelyg įkaitusios. 	<ul style="list-style-type: none"> ■ Atleiskite abi perjungimo svirtis; leiskite gyvatvorių žirkklėms atvėsti, iki temperatūra nukris žemiau 77°C.
	<ul style="list-style-type: none"> ■ Abi jungiklių svirtys nėra nuspaustos vienu kartu. 	<ul style="list-style-type: none"> ■ Vienu kartu nuspauskite jungiklių svirtis ant priekinės ir galinės rankenų.
	<ul style="list-style-type: none"> ■ Įstrigę ašmenys. 	<ul style="list-style-type: none"> ■ Iš gyvatvorių žirkklių išimkite sudėtinę bateriją, atsargiai pašalinkite kliūtį, o tada vėl įstatykite bateriją ir iš naujo paleisite įrenginį.
Per didelė vibracija arba triukšmas	<ul style="list-style-type: none"> ■ Nesutepti arba korozijos pažeisti ašmenys. 	<ul style="list-style-type: none"> ■ Sutepkite ašmenis vadovaudamiesi skyriumi „AŠMENŲ TĖPIMAS“ šio vadovo.
	<ul style="list-style-type: none"> ■ Ašmenys arba ašmenų atrama yra sulankstyta. 	<ul style="list-style-type: none"> ■ Ašmenis arba atramą pakeiskite nauja. Dėl ašmenų arba pakeitimo paslaugos kreipkitės į EGO techninės priežiūros centrą, kurio kontaktus.
	<ul style="list-style-type: none"> ■ Sulankstyti arba sugadinti dantukai. 	<ul style="list-style-type: none"> ■ Ašmenis pakeiskite naujais. Dėl ašmenų arba pakeitimo paslaugos kreipkitės į EGO techninės priežiūros centrą, kurio kontaktus.
	<ul style="list-style-type: none"> ■ Atsileidę ašmenų varžtai. 	<ul style="list-style-type: none"> ■ Priveržkite peilio varžtus. Norėdami priveržti, veržliarakčiu sukite varžtus pagal laikrodžio rodyklę.

LT

GARANTIJA

EGO GARANTINIS POLISAS

Norėdami sužinoti visas „EGO“ garantinio poliso sąlygas, apsilankykite interneto svetainėje egopowerplus.com.

IZLASIET VISUS NORĀDĪJUMUS!



IZLASIET UN IZPROTIET LIETOŠANAS ROKASGRĀMATU

⚠ Citi riski! Cilvēkiem, kuri izmanto tādas elektroniskās ierīces kā elektrokardiostimulatorus, pirms šī izstrādājuma lietošanas jākonsultējas ar savu ārstu. Elektriskā aprīkojuma izmantošana sirds elektrokardiostimulatora tuvumā var radīt stimulatora darbības traucējumus vai kļūmes.

⚠ BRĪDINĀJUMS. Lai nodrošinātu drošu un uzticamu darbību, visi labošanas un daļu nomaiņas darbi jāveic kvalificētam servisa tehniķim.

DROŠĪBAS SIMBOLI

Drošības simboli ir paredzēti, lai pievērstu jūsu uzmanību iespējamam apdraudējumam. Veltiet šiem drošības simboliem un to paskaidrojumiem pietiekamu uzmanību un izpratni. Brīdinājuma simboli paši par sevi nenovērš nekādus apdraudējumus.

Tajos ietvertie norādījumu un brīdinājumi neaizstāj atbilstošu negadījumu novēršanas pasākumu īstenošanu.

⚠ BRĪDINĀJUMS. Pirms šī instrumenta lietošanas izlasiet un izprotiet visus šajā lietotāja rokasgrāmatā ietvertos drošības norādījumus, tostarp visus drošības brīdinājuma simbolus, piemēram, „BRIESMAS”, „BRĪDINĀJUMS” un „UZMANĪBU”. Turpmāk uzskaitīto drošības norādījumu neievērošana var izraisīt elektriskā strāvas trieciena risku, ugunsgrēku un/vai nopietnus ievainojumus.

LV

SIMBOLA NOZĪME

DROŠĪBAS BRĪDINĀJUMA SIMBOLS Norāda uz **BRIESMĀM, BRĪDINĀJUMU** vai aspektiem, kam jāpievērš **UZMANĪBA**. Var tikt izmantots kopā ar citiem simboliem vai piktogrammām.

⚠ BRĪDINĀJUMS. Mehānizēto darbarīku lietošanas laikā acis var iekļūt svešķermeņi, kas savukārt var radīt smagu acu traumu. Pirms mehānizētā darbarīka izmantošanas vienmēr uzlieciet aizsargbrilles vai aizsargbrilles ar sānu aizsargiem un pilnu sejas aizsargu (ja nepieciešams). Uz parastajām brillēm vai standartā aizsargbrillēm ar sānu aizsargiem ieteicams uzlikt plata skata lēnča drošības masku.

DROŠĪBAS NORĀDĪJUMI

Šajā lapaspusē ir parādīti un aprakstīti drošības simboli, kuri var parādīties uz šī izstrādājuma. Pirms iekārtas montāžas un lietošanas izlasiet, izprotiet un ievērojiet visus uz iekārtas dotos norādījumus.

	Drošības brīdinājums	Norāda uz iespējamu ievainojumu gūšanas risku.
	Izlasiet lietotāja rokasgrāmatu	Lai samazinātu ievainojumu gūšanas risku, lietotājam jāizlasa lietotāja rokasgrāmata.
	Sargājiet no lietus	BRĪDINĀJUMS. Neizmantojiet lietū vai neatstājiet ārā, kamēr līst lietus.
	Asmens garums	Asmens garums
	Griešanas kapacitāte	Asmens maks. griešanas kapacitāte
V	Volti	Spriegums
A	Ampēri	Strāva
Hz	Herci	Frekvence (cikli sekundē)
W	Vati	Jauda
min	Minūtes	Laiks
~	Mainstrāva	Strāvas veids
≡	Līdzstrāva	Strāvas veids vai raksturojums
n ₀	Ātrums brīvgaitā	Rotācijas ātrums
... /min	Minūtē	Apgrīzieni minūtē
SPM	Apgrīzieni minūtē	Kustības ātrums brīvgaitā

VISPĀRĒJIE ELEKTROINSTRUMENTA DROŠĪBAS BRĪDINĀJUMI

⚠ BRĪDINĀJUMS. Izlasiet visus drošības brīdinājumus un norādījumus. Šo brīdinājumu un norādījumu neievērošana var izraisīt elektriskā strāvas trieciena risku, ugunsgrēku un/vai nopietnus ievainojumus.

Saglabājiet visus brīdinājumus un norādījumus, lai tos arī turpmāk varētu lietot.

Brīdinājumus lietotais termins „elektroinstrumenti” apzīmē šo no elektrotīkla darbināmo (ar elektrokabeļi) vai ar akumulatoru darbināmo (bez elektrokabeļa) elektroinstrumentu.

DROŠĪBA DARBA VIETĀ

- Uzturiet darba vietu tīru un labi apgaismotu. Nekārtīgās un tumšās darba vietās ir lielāks negadījumu risks.
- Nedarbiniet elektroinstrumentu sprādzienbīstamā vidē, piemēram, viegli uzliesmojošu šķidrums, gāzu vai putekļu klātbūtnē. Elektroinstrumenti rada dzirksteles, kas var aizdedzināt putekļus vai izgarojumu tvaikus.
- Elektroinstrumenta darbināšanas laikā tā tuvumā nedrīkst atrasties bērni un citas nepiederošas personas. Novēršot uzmanību, varat zaudēt kontroli pār instrumentu.

ELEKTRODROŠĪBA

- Elektroinstrumentu kontaktakšām jāatbilst kontaktligzdai. Nekad nekādā veidā nepārveidojiet kontaktakšas. Neizmantojiet adaptera kontaktakšas kopā ar iezemētiem elektroinstrumentiem. Lietojot nepārveidotas kontaktakšas un atbilstošas kontaktligzdas tiek samazināts elektriskās strāvas trieciena risks.
- Neļaujiet nevienai ķermeņa daļai saskarties ar iezemētām virsmām, piemēram, caurulēm, radiatoriem, sildītājiem un kondensatoriem. Elektriskās strāvas trieciena risks palielinās, ja jūsu ķermenis ir iezemēts.
- Sargājiet elektroinstrumentus no lietus vai mitruma. Ūdens iekļūšana elektroinstrumentā palielina elektriskās strāvas trieciena risku.
- Nebojājiet elektrokabeļi. Nekad neizmantojiet elektrokabeļi elektroinstrumenta nešanai, vilkšanai vai atvienošanai no elektrotīkla. Sargājiet elektrokabeļi no karstuma, eļļas, asām malām vai kustīgām daļām. Bojāti vai sapinušies elektrokabeļi palielina elektriskās strāvas trieciena risku.
- Darbinot elektroinstrumentu ārpus telpām, izmantojiet pagarinātāju, kas piemērots lietošanai ārpus telpām. Izmantojot vadu, kas ir paredzēts lietošanai ārpus telpām, tiek samazināts elektriskās strāvas trieciena risks.
- Ja nav iespējams izvairīties no elektroinstrumenta darbināšanas mitrā vietā, izmantojiet barošanas sistēmu, kas aizsargāta ar noplūdes strāvas aizsardzības ierīcēm (RCD). Noplūdes strāvas aizsardzības ierīču izmantošana samazina elektriskās strāvas trieciena risku.

PERSONISKĀ DROŠĪBA

- Darbinot elektroinstrumentu, esiet modri, sekojiet līdži savām darbībām un izmantojiet veselo saprātu. **Nelietojiet elektroinstrumentu, ja esat noguruši vai atrodaties narkotiku, alkohola vai medikamentu ietekmē.** Ja elektroinstrumenta darbināšanas laikā kaut uz mirkli zaudēsiet uzmanību, varat gūt nopietnus ievainojumus.
- Lietojiet individuālo aizsargaprīkojumu. Vienmēr lietojiet aizsargbrilles. Tāda aizsargaprīkojuma kā, piemēram, putekļu maskas, neslidošu aizsargapavu, cietas aizsargcēpures vai dzirdes aizsardzības līdzekļu, lietošana var samazināt ievainojumu gūšanas risku.
- Novērsiet nejausās ieslēgšanās iespējamību. **Pirms instrumenta pievienošanas strāvas avotam un/vai akumulatoram pārļiecinieties, ka slēdzis atrodas izslēgtā stāvoklī.** Elektroinstrumentu pārvietošana, turot pirkstu uz slēdža, vai strāvas padeve elektroinstrumentiem, kuru slēdzis atrodas ieslēgtā stāvoklī, palielina negadījumu risku.
- Pirms elektroinstrumenta ieslēgšanas noņemiet visas regulēšanas atslēgas vai uzgriežņatslēgas. Uzgriežņatslēga vai atslēga, kas palikusi piestiprināta pie elektroinstrumenta rotējošās daļas, var radīt ievainojumus.
- Nestiepieties pārāk tālu. Vienmēr saglabājiet pareizu stāju un līdzsvaru. Tādējādi nodrošināsiet labāku kontroli pār elektroinstrumentu negaidītās situācijās.
- Valkājiet atbilstošu apģērbu. Nevalkājiet vaļīgu apģērbu vai rotaslietas. Neļaujiet saviem matiem, apģērbam un cimdiem nonākt saskarē ar kustīgajām daļām. Vaļīgs apģērbs, rotaslietas vai gari mati var iekerties kustīgajās daļās.
- Ja ierīces ir paredzētas savienošanai ar putekļu nosūkšanas un savākšanas ierīcēm, nodrošiniet, ka tās tiek pareizi pievienotas un izmantotas. Putekļu savākšanas ierīču izmantošana var samazināt ar putekļiem saistītos apdraudējumus.

ELEKTROINSTRUMENTA LIETOŠANA UN APKOPE

- Nespiediet elektroinstrumentu ar spēku. Lietojiet jūsu veicamajam uzdevumam piemērotāko elektroinstrumentu. Piemērots elektroinstrumenti labāk un drošāk spēs izpildīt veicamo darbu, darbojoties tam paredzētajā ātrumā.
- Nelietojiet elektroinstrumentu, ja nedarbojas tā ieslēgšanas/izslēgšanas slēdzis. Jebkurš elektroinstrumenti, kura ieslēgšanas/izslēgšanas slēdzis nedarbojas, ir bīstams, un to nepieciešams labot.

- Pirms jebkādu pielāgojumu veikšanas, piederumu maiņas vai elektroinstrumenta novietošanas glabāšanā atvienojiet kontaktdakšu no barošanas avota un/vai izņemiet no elektroinstrumenta akumulatoru. Šādi profilaktiski drošības pasākumu palīdz samazināt elektroinstrumenta nejausās ieslēgšanās risku.
- Glabājiet izslēgtus elektroinstrumentus bērniem nepieejamā vietā un nelaujiet personām, kuras nepazīna elektroinstrumenta funkcijas un nav iepazīnušas ar šiem norādījumiem, tos lietot. Elektroinstrumenti ir bīstami, ja ar tiem darbojas neapmācīti lietotāji.
- Uzturiet elektroinstrumentus darba kārtībā. Pārbaudiet, vai kustīgās daļas nav novirzījušas un to savienojumi ir kārtībā, vai daļas nav bojātas, kā arī vai nav parādījušies jebkādi citi apstākļi, kas varētu ietekmēt elektroinstrumenta darbību. Ja konstatējat bojājumus, pirms lietošanas salabojiet elektroinstrumentu. Daudzu negadījumu cēloņi ir sliktā stāvoklī esošu elektroinstrumentu izmantošana.
- Uzturiet griezējinstrumentus asus un tīrus. Pareizi apkopti griezējinstrumenti ar asām griezējmalām retāk saķeras un ir vieglāk kontrolējami.
- Lietojiet elektroinstrumentu, tā piederumus un griežņus, kā arī citus saistītos elementus atbilstoši šiem norādījumiem, ņemot vērā darba apstākļus un veicamo uzdevumu. Elektroinstrumenta lietošana neparedzētiem mērķiem var radīt bīstamas situācijas.

AKUMULATORA LIETOŠANA UN APKOPE

- Uzlādēšanai izmantojiet tikai ražotāja norādīto uzlādes ierīci. Uzlādes ierīce, kas ir piemērota viena veida akumulatoriem, var radīt ugunsgrēka risku, ja tas tiek izmantota kopā ar citu akumulatoru.
- Elektroinstrumentos ievietojiet tikai īpaši paredzētos akumulatorus. Jebkura cita akumulatora izmantošana var radīt ievainojumu gūšanas un ugunsgrēka risku.
- Kamēr akumulators netiek izmantots, glabājiet to tā, lai tas nenonāktu saskarē ar citiem metāla objektiem, piemēram, papīra saspaudēm, monētām, atslēgām, naglām, skrūvēm vai citiem maziem objektiem, kas var radīt savienojumu starp spailēm. Īssavienojuma radīšana starp akumulatora spailēm var izraisīt apdegumus vai ugunsgrēku.
- Neatbilstošos apstākļos no akumulatora var izšļakties šķidrums, izvairieties no saskares ar to. Ja tomēr nejausi nonākat ar to saskarē, atbilstoši vieta nekavējoties noskalojiet ar ūdeni. Ja šis šķidrums nonāk saskarē ar acīm, vērsieties pie ārsta. Šķidrums, kas izšļācas no akumulatora, var radīt iekaisumu vai apdegumus.

SERVISS

- Jūsu elektroinstrumentam apkopes un uzturēšanas darbus drīkst veikt tikai kvalificēts mehāniķis, izmantojot tikai identiskas maiņas daļas. Tādējādi tiek nodrošināta elektroinstrumenta drošas darbības saglabāšana.

DZĪVŽOGU TRIMMERA DROŠĪBAS BRĪDINĀJUMI

- Nelaujiet nevienai ķermeņa daļai nonākt saskarē ar griešanas asmeni. Kamēr asmeņi kustās, nenogemiet apgriezto materiālu vai neturiet materiālu, kuru grasāties apgriezt. Pirms iestrēgušu materiālu izņemšanas pārliecinieties, ka ieslēgšanas/izslēgšanas slēdzis atrodas izslēgtā stāvoklī. Ja dzīvžogu trimmera darbināšanas laikā kaut uz mirkli zaudēsiet uzmanību, varat gūt nopietnus ievainojumus.
 - Pārņēšijiet dzīvžogu trimmeri aiz tā ruktura, griešanas asmenim esot izslēgtam. Pirms dzīvžogu trimmera pārvadāšanas vai novietošanas glabāšanā vienmēr uzstādiet griešanas ierīces pārsegu. Pareiza dzīvžogu trimmera apkopšana samazina iespējamo ievainojumu risku, ko varat gūt no griešanas asmeņiem.
 - Turiet elektroinstrumentu tikai pie izolētajām satveršanas virsmām, jo griešanas asmens var saskarties ar aplsēptiem vadiem. Ja griešanas asmens pārgriež „dzīvu” vadu, elektroinstrumenta atklātās metāla daļas „atdzīvojas” un operators var saņemt elektriskās strāvas triecienu.
 - Nodrošiniet, ka vads neatrodas griešanas zonā. Darba laikā vads var paslēpties krūmos un tādējādi asmens to var nejausi pārgriezt.
 - Pirms darba pārbaudiet, vai dzīvžogā neslēpjas svešķermeņi, piemēram, drāšu žogs.
 - Izmantojiet dzīvžogu trimmeri tikai ar pareizi uzstādītu aizsargu. Dzīvžogu trimmera izmantošana bez atbilstoša aizsarga var radīt nopietnus ievainojumus!
 - Darbiniet dzīvžogu trimmeri ar abām rokām. Darbināšana ar vienu roku var radīt kontroles zudumu, tādējādi izraisot nopietnus ievainojumus.
- ⚠ BRĪDINĀJUMS.** Pirms darba pārbaudiet, vai dzīvžogā neslēpjas svešķermeņi, piemēram, drāšu žogs. Izmantojiet dzīvžogu trimmeri tikai ar pareizi uzstādītu aizsargu. Dzīvžogu trimmera izmantošana bez atbilstoša aizsarga var radīt nopietnus ievainojumus!

SVARĪGI DROŠĪBAS NORĀDĪJUMI

- Nedarbiniet akumulatora dzīvžoga trimmeri lietū.
- Neuzlādējiet akumulatoru lietū vai mitrās vietās.

- Izmantojiet tikai A attēlā uzskaitītos akumulatora blokus un lādētājus.
- Paceļot vai turot dzīvzogu trimmeri, nesatveriet tā atklātos griešanas asmeņus vai griezējmalas.
- Nedarbiniet to, kamēr atrodaties uz kāpnēm, jumta, kokā vai uz citām nestabilām pamatnēm. Stabila stāja uz stingras pamatnes ļauj labāk kontrolēt dzīvzogu trimmeri negaidītās situācijās.
- Nekad neļaujiet bērniem darbināt dzīvzogu trimmeri.
- Nekad nenopemiet drošības ierīces un neiejaucieties to darbībā. Regulāri pārbaudiet, vai tās atbilstoši darbojas. Nekad neveiciet darbības, kas iejaucas drošības ierīču paredzētajās funkcijās vai samazina to sniegto aizsardzību.
- Nekad nedarbiniet dzīvzoga trimmeri, ja nav uzstādīti atbilstoši aizsargi, plāksnes un citas aizsargierīces.
- Konstatējot bojājumus, pirms dzīvzogu trimmera turpmākas lietošanas pārbaudiet bojātās daļas. Aizsargs vai jebkura cita bojāta daļa ir rūpīgi jāpārbauda, lai noteiktu, vai tā darbosies pareizi un spēs pildīt savu funkciju. Pārbaudiet kustīgo daļu novietojumu un savienojumus, daļu bojājumus, montāžu un citus apstākļus, kas var ietekmēt instrumenta darbību. Aizsargu vai jebkuru citu bojātu daļu drīkst labot vai nomainīt tikai pilnvarots servisa centrs, ja vien šajā rokasgrāmatā nav norādīts citādi.
- Regulāros intervālos pārbaudiet, vai asmens un dzinēja uzstādīšanas bultskrūves nav kļuvušas vaļīgas. Tāpat vizuāli pārbaudiet, vai asmens nav bojāts (piemēram, saliekts, ieplaisājis vai nodilis). Nomainiet asmeni tikai pret EGO™ asmeni.
- Nomainiet asmeni, ja tas ir saliekts vai ieplaisājis. Nelīdzsvarots asmens var radīt vibrācijas, kas var izraisīt dzinēja piedziņas mehānisma bojājumus vai ievainojumus.
- Ja aprīkojums sāk neierasti vibrēt, apturiet dzinēju un nekavējoties nosakiet cēloni. Vibrēšana parasti brīdina par briesmām.
- Trimmeris ir paredzēts zaru, kuri nav biezāki par (33mm), apgriešanai.
- Strādājiet tikai dienas laikā vai labā mākslīgajā apgaismojumā.
- Pirms apkopes un uzturēšanas darbu veikšanas, tīrīšanas vai dzīvzogu trimmeri iestrēguša materiāla iztīrīšanas izņemiet vai atvienojiet akumulatoru.
- Nemazgājiet trimmeri ar šļūteni, sargājiet no ūdens iekļūšanas dzinējā un elektriskajos savienojumos.
- Veicot iekārtas apkopes un uzturēšanas darbus, izmantojiet tikai identiskas rezerves daļas, kas norādītas šajā rokasgrāmatā. Daļu, kas neatbilst oriģinālā aprīkojuma specifikācijām, izmantošana var radīt neatbilstošu instrumenta veiktspēju un apdraudēt tā drošību.
- Ievērojiet eļļošanas un piederumu maiņas norādījumus.
- Nodrošiniet, ka rokturi ir sausi, tīri un uz tiem nav eļļas vai tauku.
- Saglabājiet šos norādījumus. Regulāri pārlasiet tos un izmantojiet tos, lai instruētu citas personas, kuras izmantos šo instrumentu. Ja aizdodat šo instrumentu kādam citam, lūdzi dodiet arī šos norādījumus, lai palīdzētu novērst izstrādājuma neatbilstošu izmantošanu un iespējamus ievainojumus.

SAGLABĀJIET ŠOS NORĀDĪJUMUS!

SPECIFIKĀCIJAS

Modeļa numurs		HT5100E	HT6500E
Spriegums		56 V ---	56 V ---
Ātrums, strādājot bez slodzes	Augsts	1600 /min	1600 /min
	Zems	1400 /min	1400 /min
Ieteicamā darba temperatūra:		0 °C–40 °C	
Ieteicamā uzglabāšanas temperatūra:		-20 °C–70 °C	
Asmens garums		51 cm	65 cm
Griešanas kapacitāte		33 mm	33 mm
Svars (bez akumulatoru komplekta)		3,6 kg	3,8 kg
Izmērītais trokšņa jaudas līmenis L_{WA}		90 dB(A) K = 1,55 dB(A)	91,45 dB(A) K = 1,08 dB(A)
Trokšņa spiediena līmenis operatora vietā L_{PA} K = 2,5 dB(A)		81,5 dB(A)	81,4 dB(A)
Garantētais trokšņa jaudas līmenis L_{WA} (izmērīts saskaņā ar Direktīvu 2000/14/EK)		92 dB(A)	93 dB(A)
Vibrācijas a_h K=1,5 m/s ²	Priekšējais rokturis	3,369 m/s ²	5,313 m/s ²
	Aizmugurējais rokturis	1,876 m/s ²	3,115 m/s ²

- Norādītā vibrāciju kopējā vērtība ir izmērīta saskaņā ar standarta pārbaudes metodi un var tikt izmantota, lai salīdzinātu vairākus instrumentus.
- Norādītā vibrāciju kopējā vērtība var arī tikt izmantot ietekmes sākotnējai novērtēšanai.

PIEZĪME. Vibrāciju emisijas patiesajā elektroinstrumenta darbības laikā var atšķirties no norādītās vērtības. Lai pasargātu operatoru, lietotājam jāvalkā cimdi un dzirdes aizsarglīdzekļi atbilstoši patiesajiem darba apstākļiem.

KOMPLEKTĀCIJA

DAĻAS NOSAUKUMS	SKAITS
Dzīvzogu trimmers	1
Aizsargs	1
Lietotāja rokasgrāmata	1

APRAKSTS

PĀRZINIET SAVU DZĪVŽOGU TRIMMERI (att. A)

1. Akumulatora izņemšanas poga
2. Aizmugurējais rokturis
3. Bloķēšanas slēdzis
4. Aizmugurējais svirpārslēgs
5. Ātruma regulēšanas slēdzis
6. Priekšējais rokturis
7. Priekšējais svirpārslēgs
8. Roku aizsargs
9. Asmens aizsargs
10. Asmens
11. Gala aizsargs
12. Fiksators
13. Elektrokontakti
14. Montāžas sprauga
15. Izstumšanas mehānisms
16. Roktura fiksators
17. Motora korpus
18. Aizsargs

▲ BRĪDINĀJUMS! Šis produkts tika piegādāts pilnībā samontēts. Dzīvzoga trimmera lietošanas laikā roku aizsargu nekādā gadījumā nedrīkst noņemt. Ja aizsargs ir bojāts, kvalificētam servisa tehnikam nekavējoties jāveic tā nomaiņa.

▲ BRĪDINĀJUMS. Lai droši izmantotu šo izstrādājumu, nepieciešama izpratne par informāciju, kas norādīta uz instrumenta un šajā lietotāja rokasgrāmātā, kā arī zināšanas par darbu, ko vēlaties paveikt. Pirms šī izstrādājuma lietošanas iepazīstieties ar visām raksturīgajām darba funkcijām no drošības noteikumiem.

LIETOŠANA

▲ BRĪDINĀJUMS. Neļaujiet, ka pieradums pie darba ar šo izstrādājumu, liek jums zaudēt uzmanību. Aterieties, ka pat uzmanības novēršana uz sekundes daļu ir pietiekama, lai gūtu nopietnus ievainojumus.

▲ BRĪDINĀJUMS. Vienmēr valkājiet aizsargbrilles ar sānu aizsargiem, kā arī dzirdes aizsarglīdzekļus. Šo noteikumu neievērošana var novest pie tā, ka jums acīs trāpa kādi priekšmeti, vai citiem nopietniem ievainojumiem.

▲ BRĪDINĀJUMS. Lai novērstu nejausīgu ieslēgšanos, kas var radīt nopietnus ievainojumus, vienmēr pirms daļu uzstādīšanas, pārveidojumu veikšanas, tīrīšanas vai instrumenta nelietošanas laikā izņemiet no instrumenta akumulatoru.

▲ BRĪDINĀJUMS. Neizmantojiet nekādus papildinājumus vai piederumus, kuras neiesaka EGO™. Šādu neapstiprinātu papildinājumu vai piederumu lietošana var radīt nopietnus ievainojumus.

Pirms katras lietošanas reizes pārbaudiet visu izstrādājumu, vai tam nav bojātas, trūkstošas vai vaļīgas daļas, piemēram, skrūves, uzgriežņi, bultskrūves, vāciņus u.c. Droši pievelciet visus fiksatorus un vāciņus, kā arī nelietojiet šo izstrādājumu, kamēr visas trūkstošas vai bojātās daļas nav nomainītas.

PIELIETOJUMS

Šo izstrādājumu var izmantot, lai apgrieztu dzīvžogus, krūmājus un krūmus, kuru zaru diametrs nepārsniedz 033 mm.

PIEZĪME. Šo rīku drīkst izmantot tikai paredzētajam mērķim. Izmantošana jebkādā citā veidā tiks uzskatīta par neatbilstošu lietošanu.

AKUMULATORA IEVIETOŠANA/IZŅEMŠANA

Pirms pirmās lietošanas uzlādējiet akumulatoru

ievietošana (att. B)

Novietojiet akumulatora valnītus pretī uzstādīšanas slotiem un spiediet akumulatoru uz leju līdz dzirdat klikšķi.

Izņemšana (att. C)

Nospiediet akumulatora atbrīvošanas pogu un izņemiet akumulatoru.

BRĪDINĀJUMS. Pirms akumulatora atbrīvošanas pogas nospiešanas vienmēr pārlicinieties, kur atrodas jūsu kājas, bērni vai mājdzīvnieki. Akumulatora krišanas gadījumā varat gūt nopietnus ievainojumus. NEKAD neizņemiet akumulatoru, ja atrodaties augstumā.

DZĪVŽOGU TRIMMERA IESLĒGŠANA/IZSLĒGŠANA

Pirms lietošanas noņemiet asmens aizsargu un satveriet trimmeri ar abām rokām – ar vienu satveriet priekšējo rokturi, savukārt ar otru aizmugurējo rokturi. Tad pārlicinieties, ka stāvat stabili, taisni un ievērojiet atbilstošu griešanas attālumu.

BRĪDINĀJUMS. Vienmēr turiet abas rokas uz dzīvžogu trimmera rokturiem. Nekad neturiet zarus ar vienu roku un dzīvžogu trimmeri ar otru. Šī norādījuma neievērošana var radīt nopietnus ievainojumus.

Ieslēgšana

Ar plaukstu nospiediet bloķēšanas slēdzi un pēc tam nospiediet aizmugurējo slēdzi vienu pakāpi uz augšu. Kad aizmugurējais svirpārslēgs ir nospiests, turpiniet spiest priekšējo svirpārslēgu, lai ieslēgtu ierīci.

Apturēšana

Lai apturētu trimmeri, atlaidiet jebkuru no slēdža svirām.

PIEZĪME. Abām slēdža svirām jābūt nospiestām, lai dzīvžogu trimmeri varētu ieslēgt.

DZĪVŽOGU TRIMMERA IZMANTOŠANA

BRĪDINĀJUMS. Ja asmens saķīlējas ar jebkādu elektrisko vadu vai līniju, NEPIESKARIETIES ASMENIM! TAS VAR KĻŪT ELEKTRIZĒTS UN ĻOTI BĪSTAMS. Turpiniet turēt dzīvžogu trimmeri aiz izolētā aizmugurējā roktura vai drošā veidā nolieciet to uz zemes un projām no sevis. Pirms mēģiniet atbrīvot asmeni no līnijas vai vada atvienojiet strāvas padevi bojātajai līnijai vai vadam. Šo noteikumu neievērošana var radīt nopietnus ievainojumus vai pat nāvi.

BRĪDINĀJUMS. Lai novērstu nopietnu ievainojumu gūšanu, turiet rokas projām no asmeņiem. Nemēģiniet izņemt apgriezto materiālu vai turēt apgriežamo materiālu, kamēr asmeņi kustās. Pirms iestrēguša materiāla izņemšanas no asmeņiem pārlicinieties, ka asmeņi ir pilnībā apstājušies un akumulators ir izņemts. Paceļot vai turot instrumentu, nesatveriet atvērtos griešanas asmeņus vai griezējmalas.

BRĪDINĀJUMS. Pirms darba sākšanas atīriet apgriežamo zonu. Noņemiet visus priekšmetus, piemēram, vadus, gaismas, stieples vai šņores, kas var iekerties griešanas asmeņī un radīt smagu miesas bojājumu risku.

BRĪDINĀJUMS. Necentieties vienā reizē apgriezt pārāk daudz vai apgriezt lielākus krūmajus. Tas var likt asmeņiem saķerties un darboties lēnāk, samazinot griešanas efektivitāti.

PIEZĪME. Jaunām audzēm piemērota griešana ar plašiem vēzieniem, kur zari nonāk tiešā saskarē ar griešanas asmeni. Vecākām audzēm zāgēšanas kustība ir piemērota biezāko zaru apgriešanai. Ieteicams lielākos zarus vispirms nozāgēt ar rokas zāģi vai krūmu zāģi.

Augšpusē apgriešana

Izmantojiet griešanu ar plašiem vēzieniem. Labākiem rezultātiem griešanas asmeņus sagāziet nedaudz uz leju kustības virzienā. Tāpat varat izmantot šņori, lai nodrošinātu vienmērīgu dzīvžoga līmeni, kā parādīts D attēlā.

Sānu apgriešana

Apgriežot dzīvžoga sānus, sāciet no apakšas un grieziet uz augšu, kā parādīts E1 un E2 attēlā.

Griešana leņķī

Izvelkot fiksatoru (att. F1-F5), dzīvžoga trimmera aizmugurējo rokturi var iestatīt piecās pozīcijās (0°/±45°/±90°). Ja nepieciešams griezt leņķī, iestatiet aizmugurējo rokturi ±45° leņķī (att. F2 un F4), lai veiktu griešanu.

BRĪDINĀJUMS! Regulējot rokturi, griešanas asmens nedrīkst griezties.

PIEZĪME Strādājot rokturim vienmēr jābūt vērstam uz augšu neatkarīgi no tā, kā ir vērsts dzīvžoga trimmeris.

Gala aizsargs

Gala aizsargu (att. G) izmanto, lai aizsargātu asmens ārējo malu.

Asmens aizsargs

Asmeņu ārējā daļa ir asmeņu aizsargu formā (att. H).

H-1	Asmens
H-2	Asmens aizsargs

BRĪDINĀJUMS! Vienmēr pārbaudiet, vai asmens aizsargs nav bojāts vai deformēts. Nomainiet aizsargu, ja tas ir saliekts vai bojāts.

APKOPE

⚠ BRĪDINĀJUMS. Veicot iekārtas apkopi, izmantojiet tikai identiskas rezerves daļas. Jebkuru citu daļu izmantošana var radīt apdraudējumu vai izstrādājuma bojājumus. Lai nodrošinātu drošu un uzticamu darbību, visi labošanas darbi jāveic kvalificētam servisa tehnikam.

⚠ BRĪDINĀJUMS. Lai novērstu nopietnu ievainojumu gūšanas risku, pirms iekārtas tīrīšanas vai apkopes darbu veikšanas izņemiet akumulatoru.

TĪRĪŠANA

- Izmantojiet mīkstu suku, lai notīrītu gružus no visām gaisa ievades atverēm un griešanas asmens.
- Lai notīrītu darvu un citas lipīgas nogulsnes, apsmidziniet asmeni ar sveķu šķīdinātāju. Īsu brīdi padarbiniet dzinēju, lai šķīdinātājs tiek vienmērīgi uzklāts.
- Noslaukiet virsmu ar sausu drānu.

⚠ BRĪDINĀJUMS. Trimmera tīrīšanai nekad neizmantojiet ūdeni. Plastmasa daļu tīrīšanai neizmantojiet šķīdinātājus. Lielākā daļa plastmasas daļu gūst bojājumus no dažāda veida komerciālajiem šķīdinātājiem. Izmantojiet tīras drānas, lai notīrītu nefrūmus, putekļus, eļļu, taukus u.c.

GRIEŠANAS ASMENS UZASINĀŠANA

1. Izņemiet akumulatoru no jūsu dzīvzogu trimmera.
2. Iespīlējiet asmens sistēmu skrūvspīlēs un novīlējiet katra asmens zoba atklāto griešanas virsmu. Centieties noņemt pēc iespējas mazāku materiāla daudzumu.
3. Izņemiet dzīvzogu trimmeri no skrūvspīlēm un noregulējiet atklāto neuzasināto asmeni. Atkārtoti veiciet iepriekš aprakstīto procedūru līdz visi asmens zobi ir uzasināti.

PIEZĪME. Nelietojiet dzīvzogu trimmeri, ja tā griešanas asmeņi ir trūli vai bojāti. Darbošanās šādā stāvoklī var radīt pārslodzi un neapmierinošus griešanas rezultātus.

ASMENS EĻĻOŠANA

Lai nodrošinātu labāko darbu un garāku asmens kalpošanas ilgumu, pirms un pēc katras lietošanas reizes ieeļļojiet dzīvzogu trimmera asmeni ar vieglu mašīneļļu.

Izņemiet akumulatoru un novietojiet trimmeri uz līdzenas virsmas. Uzklājiet eļļu uz augšējā asmens malas.

PIEZĪME. Lai paildinātu lietošanas ilgumu, griešanas darbu laikā eļļojiet asmeni.

⚠ BRĪDINĀJUMS. Neveiciet eļļošanas darbus, kamēr dzīvzogu trimmers darbojas.

PĀRNESUMKĀRBAS EĻĻOŠANA

Lai dzīvzogu apgriešanas mašīnas pārnēsумkārbā kalpotu labāk un ilgāk, ieeļļojiet to ik pēc 25 ekspluatācijas stundām, izmantojot speciālo smērvielu (katrā reizē apmēram 5-6 g. Ar #1 un 10-12 g. Ar #2).

PIEZĪME! Lūdzu, sazinieties ar vietējo ego servisa pārstāvi, lai saņemtu palīdzību.

Speciālamai smērvielai ir jāatbilst turpmāk norādītajām prasībām.

1. Atbilstība DIN51818: konusa iespiešanās pakāpe NLGI-2.
2. Sastāvs: poliurea biezinātāji + sintētiskā smērēļa.
3. Teicama iedarbināšana arī zemā temperatūrā, EP, mehāniskā griešana, izturība pret nodilumu un oksidatīvās stabilitātes īpašības.
4. Darba temperatūrai jābūt robežās no -40-180 °C.

TRANSPORTĒŠANA UN UZGLABĀŠANA

- Vienmēr pirms dzīvzogu trimmera novietošanas glabāšanā vai transportēšanas uzlieciet uz asmens tā aizsargu. Rīkojieties uzmanīgi, lai izvairītos no asajiem asmens zobiem.
- Pirms novietošanas glabāšanā rūpīgi notīriet dzīvzogu trimmeri.
- Uzglabājiet dzīvzogu trimmeri iekšstelpās, sausā un bērniem nepieejamā vietā.
- Sargājiet no kodīgām vielām, piemēram, dārzā lietojamajām ķīmikālijām un atledošanas sāls.

⚠ BRĪDINĀJUMS. Asmeņi ir asi. Darbojoties ap asmeņu sistēmu, valkājiet neslīdošus augstākās aizsardzības pakāpes aizsargcimdus. Nenovietojiet savas rokas vai pirkstus starp asmeņiem vai jebkurā citā pozīcijā, kur tie var tikt sadurti vai sagriezti. NEKAD nepieskarieties asmeņiem vai neveiciet iekārtas apkopi, kamēr nav izņemts akumulators.

Apkārtējās vides aizsardzība



Neutilizējiet elektrisko aprīkojumu, akumulatoru uzlādes ierīci un akumulatorus / atkārtoti uzlādējamās baterijas sadzīves atkritumos. Saskaņā ar Eiropas Parlamenta un Padomes Direktīvu 2012/19/ES, kā arī Direktīvu 2006/66/EK nederīgas elektriskās un elektroniskās iekārtas un bojāti vai izlietoti akumulatori/baterijas jāsavāc atsevišķi. Ja elektriskās ierīces tiek izmantotas atkritumu poligonos vai izgāztuvēs, bīstamās vielas var nonākt gruntsūdenī un līdz ar to barības ķēdē, tādējādi radot kaitējumu jūsu veselībai un labsajūtai.

KĻŪDU NOVĒRŠANA

PROBLĒMA	CĒĻONIS	RISINĀJUMS
Dzīvžogu trimmers nedarbojas	<ul style="list-style-type: none"> Dzīvžogu trimmerī nav ievietots akumulators. 	<ul style="list-style-type: none"> Ievietojiet dzīvžogu trimmerī akumulatoru.
	<ul style="list-style-type: none"> Starp trimmeri un akumulatoru nav elektriskā savienojuma. 	<ul style="list-style-type: none"> Izņemiet akumulatoru, pārbaudiet visus savienojumus un pēc tam ievietojiet atpakaļ akumulatoru.
	<ul style="list-style-type: none"> Akumulators ir izlādējies. 	<ul style="list-style-type: none"> Nomainiet akumulatoru.
	<ul style="list-style-type: none"> Akumulators ir pārāk karsts. 	<ul style="list-style-type: none"> Izņemiet akumulatoru no rīka un ļaujiet tam atdzist līdz temperatūra nokrītas zemāk par 67 °C.
	<ul style="list-style-type: none"> Dzīvžogu trimmers ir pārāk karsts. 	<ul style="list-style-type: none"> Atļaidiet abas slēdža sviras un ļaujiet trimmerim atdzist līdz temperatūra nokrītas zemāk par 77 °C.
	<ul style="list-style-type: none"> Abas slēdžu sviras netiek nospiestas vienlaicīgi. 	<ul style="list-style-type: none"> Vienlaicīgi nospiediet priekšējā un aizmugurējā roktura slēdža sviras.
	<ul style="list-style-type: none"> Asmens ir saķēlējis. 	<ul style="list-style-type: none"> Izņemiet no rīka akumulatoru, pēc tam uzmanīgi noņemiet traucēkli un tad ievietojiet atpakaļ akumulatoru un atkāroti ieslēdziet rīku.
Pārmērīgas vibrācijas vai trokšņi	<ul style="list-style-type: none"> Sausi vai sarūsējuši asmeņi. 	<ul style="list-style-type: none"> Ieļļojiet asmeņus, kā norādīts šīs rokasgrāmatas nodalījumā „ASMENS IEĻĻOŠANA”.
	<ul style="list-style-type: none"> Asmeņi vai asmens atbalsts ir saliekts. 	<ul style="list-style-type: none"> Nomainiet pret jaunu asmeni vai atbalstu. Sazinieties ar EGO klientu apkalpošanas centru par asmens vai atbalsta nomaiņu.
	<ul style="list-style-type: none"> Saliekti vai bojāti zobi. 	<ul style="list-style-type: none"> Nomainiet pret jaunu asmeni. Sazinieties ar EGO klientu apkalpošanas centru par asmens nomaiņu.
	<ul style="list-style-type: none"> Atskrūvējiet asmens bultskrūves. 	<ul style="list-style-type: none"> Pievelciet asmens bultskrūves. Lai pievilktu bultskrūvi, ar uzgriežņu atslēgu pagrieziet bultskrūvi pulksteņa rādītāju kustības virzienā.

GARANTĪJA

EGO GARANTĪJAS POLITIKA

Lūdzu, apmeklējiet tīmekļa vietni egopowerplus.com, kur pieejama pilna EGO Garantijas politikas noteikumu un nosacījumu versija.

ΔΙΑΒΑΣΤΕ ΟΛΕΣ ΤΙΣ ΟΔΗΓΙΕΣ!



ΔΙΑΒΑΣΤΕ ΚΑΙ ΚΑΤΑΝΟΗΣΤΕ ΤΟ ΕΓΧΕΙΡΙΔΙΟ ΟΔΗΓΙΩΝ

⚠ Υπολειπόμενοι κίνδυνοι! Άνθρωποι που φέρουν ηλεκτρονικές συσκευές όπως βηματοδότες πρέπει να συμβουλευτούν τους γιατρούς τους πριν τη χρήση αυτού του προϊόντος. Η λειτουργία ηλεκτρικών εξοπλισμών κοντά σε βηματοδότη μπορεί να προκαλέσει παρεμβολές ή βλάβη στον βηματοδότη.

⚠ ΠΡΟΕΙΔΟΠΟΙΗΣΗ: Για να διασφαλίσετε την ασφάλεια και την αξιοπιστία, όλες οι επισκευές πρέπει να διεξάγονται από εξειδικευμένο τεχνικό του σέρβις.

ΣΥΜΒΟΛΑ ΑΣΦΑΛΕΙΑΣ

Ο σκοπός των συμβόλων ασφαλείας είναι να σας τραβήξουν την προσοχή για ενδεχόμενους κινδύνους. Προσέξτε και κατανοήστε τα σύμβολα ασφαλείας και τις επεξηγήσεις που τα συνοδεύουν. Οι προειδοποιητικές συμβόλων από μόνες τους δεν εξαλείφουν κανέναν κίνδυνο.

Οι οδηγίες και οι προειδοποιήσεις που παρέχουν δεν υποκαθιστούν τα μέτρα σωστής πρόληψης ατυχημάτων.

⚠ ΠΡΟΕΙΔΟΠΟΙΗΣΗ: Βεβαιωθείτε ότι έχετε διαβάσει και κατανοήσει όλες τις οδηγίες ασφαλείας στο παρόν Εγχειρίδιο χειριστή, συμπεριλαμβανομένων όλων των συμβόλων ασφαλείας όπως «**ΚΙΝΔΥΝΟΣ**», «**ΠΡΟΕΙΔΟΠΟΙΗΣΗ**» και «**ΠΡΟΣΟΧΗ**», προτού χρησιμοποιήσετε αυτό το εργαλείο. Η μη τήρηση όλων των παρακάτω οδηγιών μπορεί να οδηγήσει σε ηλεκτροπληξία, πυρκαγιά ή/και σοβαρό ατομικό τραυματισμό.

GR

ΣΗΜΑΣΙΑ ΣΥΜΒΟΛΩΝ

ΣΥΜΒΟΛΟ ΕΙΔΟΠΟΙΗΣΗΣ ΑΣΦΑΛΕΙΑΣ: Υποδηλώνει **ΚΙΝΔΥΝΟ**, **ΠΡΟΕΙΔΟΠΟΙΗΣΗ** ή **ΠΡΟΣΟΧΗ**. Μπορεί να χρησιμοποιείται σε συνδυασμό με άλλα σύμβολα ή εικονογράμματα.

⚠ ΠΡΟΕΙΔΟΠΟΙΗΣΗ: Η λειτουργία ηλεκτρικών εργαλείων μπορεί να επιφέρει εκτόξευση ξένων αντικειμένων στα μάτια σας, με αποτέλεσμα σοβαρή βλάβη σε αυτά. Προτού ξεκινήσετε τη λειτουργία του ηλεκτρικού εργαλείου φοράτε πάντα προστατευτικά γυαλιά ή γυαλιά με πλευρική προστασία και εφόσον απαιτείται πλήρη προστατευτική προσωπίδα. Συστήνουμε μια προσωπίδα ασφαλείας ευρείας όρασης για χρήση πάνω από γυαλιά ή συνήθη προστατευτικά γυαλιά με πλευρική προστασία.

ΟΔΗΓΙΕΣ ΑΣΦΑΛΕΙΑΣ

Αυτή η σελίδα απεικονίζει και περιγράφει τα σύμβολα ασφαλείας που υπάρχουν ενδεχομένως σε αυτό το προϊόν. Διαβάστε, κατανοήστε και ακολουθείτε όλες τις οδηγίες στη μηχανή προτού προσπαθήσετε να διεξάγετε εργασίες συναρμολόγησης και λειτουργίας.

	Ειδοποίηση ασφαλείας	Υποδηλώνει ενδεχόμενο κίνδυνο ατομικού τραυματισμού.
	Διαβάστε το εγχειρίδιο χρήσης	Προκειμένου να μειωθεί ο κίνδυνος τραυματισμού, ο χρήστης πρέπει να διαβάσει το εγχειρίδιο χρήσης.
	Μην εκθέτετε στη βροχή	ΠΡΟΕΙΔΟΠΟΙΗΣΗ: Μη χρησιμοποιείτε στη βροχή ή μην αφήνετε σε εξωτερικό χώρο ενώ βρέχει.
	Μήκος λεπίδας	Το μήκος της λεπίδας
	Ικανότητα κοπής	Μέγ. ικανότητα κοπής της λεπίδας
V	Volt	Τάση
A	Amperes	Ρεύμα
Hz	Hertz	Συχνότητα (κύκλοι ανά δευτερόλεπτο)
W	Watt	Ισχύς
min	Λεπτά	Χρόνος
	Εναλλασσόμενο ρεύμα	Τύπος ρεύματος
	Συνεχές ρεύμα	Τύπος ή χαρακτηριστικό του ρεύματος
n ₀	Ταχύτητα χωρίς φορτίο	Ταχύτητα περιστροφής, χωρίς φορτίο
... /min	Ανά λεπτό	Στροφές ανά λεπτό
SPM	Διαδρομές ανά λεπτό	Ταχύτητα διαδρομής, χωρίς φορτίο

ΓΕΝΙΚΕΣ ΠΡΟΕΙΔΟΠΟΙΗΣΕΙΣ ΑΣΦΑΛΕΙΑΣ ΓΙΑ ΗΛΕΚΤΡΙΚΑ ΕΡΓΑΛΕΙΑ

⚠ ΠΡΟΕΙΔΟΠΟΙΗΣΗ: Διαβάστε όλες τις προειδοποιήσεις ασφαλείας και τις οδηγίες. Η μη τήρηση των προειδοποιήσεων και των οδηγιών μπορεί να οδηγήσει σε πρόκληση ηλεκτροπληξίας, πυρκαγιάς ή/και σοβαρό τραυματισμό.

Φυλάσσετε όλες τις προειδοποιήσεις και τις οδηγίες για μελλοντική αναφορά

Ο όρος «ηλεκτρικό εργαλείο» στις προειδοποιήσεις αναφέρεται στο ηλεκτρικό σας εργαλείο που λειτουργεί είτε με σύνδεση στην πρίζα (με καλώδιο) είτε με μπαταρίες (χωρίς καλώδιο).

ΑΣΦΑΛΕΙΑ ΣΤΟ ΧΩΡΟ ΕΡΓΑΣΙΑΣ

- Διατηρείτε τον χώρο εργασίας καθαρό και καλά φωτισμένο. Οι ακατάστατοι χώροι ή οι χώροι με κακό φωτισμό ενισχύουν την πιθανότητα πρόκλησης ατυχημάτων.
- Μη χρησιμοποιείτε ηλεκτρικά εργαλεία σε περιβάλλον με εύφλεκτη ατμόσφαιρα, όπου υπάρχουν εύφλεκτα υγρά, αέρια ή σκόνη. Τα ηλεκτρικά εργαλεία προκαλούν σπινθηρισμούς, οι οποίοι είναι πιθανό να αναφλέξουν τη σκόνη ή τις αναθυμιάσεις.
- Κρατάτε τα παιδιά και τους παρευρισκόμενους σε μακρινή απόσταση όταν λειτουργείτε το ηλεκτρικό εργαλείο. Η απόσταση της προσοχής σας μπορεί να σας κάνει να χάσετε τον έλεγχο του ηλεκτρικού εργαλείου.

ΗΛΕΚΤΡΙΚΗ ΑΣΦΑΛΕΙΑ

- Το φως του ηλεκτρικού εργαλείου πρέπει να ταιριάζει με την πρίζα. Μη τροποποιείτε ποτέ και μη κανέναν τρόπο το φως. Μη χρησιμοποιείτε κανενός είδους βύσματα ανταπτόρων με γειωμένα ηλεκτρικά εργαλεία. Τα μη τροποποιημένα φως και οι κατάλληλες πρίζες μειώνουν τον κίνδυνο ηλεκτροπληξίας.
- Αποφύγετε την επαφή του σώματός σας με γειωμένες επιφάνειες, όπως σωλήνες, θερμαντικά σώματα, εστίες και ψυγεία. Υπάρχει αυξημένος κίνδυνος ηλεκτροπληξίας αν το σώμα σας γειωθεί.
- Μην εκθέτετε τα ηλεκτρικά εργαλεία σε βροχή ή συνθήκες υγρασίας. Αν εισχωρήσει νερό μέσα στο ηλεκτρικό εργαλείο θα αυξηθεί ο κίνδυνος ηλεκτροπληξίας.

- Μην κακομεταχειρίζεστε το καλώδιο. Μη χρησιμοποιείτε ποτέ το καλώδιο για να μεταφέρετε, τραβήξετε ή απομακρύνετε από την πρίζα το φορτιστή. Διατηρείτε το καλώδιο μακριά από θερμότητα, λάδια, αιχμηρές γωνίες ή κινούμενα εξαρτήματα. Τα κατεστραμμένα ή μηδενισμένα καλώδια αυξάνουν τον κίνδυνο ηλεκτροπληξίας.
- Όταν χρησιμοποιείτε κάποιο ηλεκτρικό εργαλείο σε εξωτερικό χώρο, χρησιμοποιείτε επέκταση καλωδίου κατάλληλη για εξωτερικούς χώρους. Η χρήση καλωδίου που ενδεικνύεται για χρήση σε εξωτερικό χώρο μειώνει τον κίνδυνο ηλεκτροπληξίας.
- Αν η χρήση του ηλεκτρικού εργαλείου σε υγρό περιβάλλον είναι αναπόφευκτη, χρησιμοποιήστε στην τροφοδοσία έναν διακόπτη κυκλώματος βλάβης γείωσης. Η χρήση του διακόπτη GFCI μειώνει τον κίνδυνο ηλεκτροπληξίας.

ΠΡΟΣΩΠΙΚΗ ΑΣΦΑΛΕΙΑ

- Να είστε σε εγρήγορση, να έχετε την προσοχή σας σε αυτό που κάνετε και να χρησιμοποιείτε κοινή λογική κατά τη χρήση ενός ηλεκτρικού εργαλείου. Μη χρησιμοποιείτε ηλεκτρικά εργαλεία όταν είστε κουρασμένοι ή κάτω από την επήρεια ναρκωτικών, αλκοόλ ή φαρμάκων. Μια στιγμή απροσεξίας κατά τη χρήση του ηλεκτρικού εργαλείου μπορεί να οδηγήσει σε σοβαρό ατομικό τραυματισμό.
- Χρησιμοποιείτε ατομικό προστατευτικό εξοπλισμό. Φοράτε πάντα προστατευτικά γυαλιά. Ο προστατευτικός εξοπλισμός, όπως μάσκα σκόνης, αντιλιοσθητικά παπούτσια, κράνος ή υποπροστασία που χρησιμοποιείται στις κατάλληλες περιστάσεις μειώνει τον κίνδυνο ατομικών τραυματισμών.
- Αποφύγετε τυχαίο ξεκίνημα. Βεβαιώνετε ότι ο διακόπτης βρίσκεται στη θέση απενεργοποίησης (OFF) πριν συνδέσετε το ηλεκτρικό εργαλείο στο ρεύμα ή/και στην μπαταρία, ή όταν σηκώνετε ή μεταφέρετε το εργαλείο. Η μεταφορά ηλεκτρικών εργαλείων με το δάχτυλο στον διακόπτη ή η σύνδεσή τους στο ρεύμα στο ON, αυξάνουν την πιθανότητα πρόκλησης ατυχημάτων.
- Αφαιρείτε όλα τα κλειδιά ρύθμισης και τα μηχανικά κλειδιά πριν θέσετε σε λειτουργία το ηλεκτρικό εργαλείο. Τυχόν εργαλεία ρύθμισης ή μηχανικά κλειδιά σε κάποιο από τα κινούμενα τμήματα του ηλεκτρικού εργαλείου μπορούν να προκαλέσουν σωματικές βλάβες.
- Μην υπερεκτείνετε. Πατάτε πάντα σταθερά και διατηρείτε την ισορροπία σας. Έτσι θα έχετε καλύτερο έλεγχο του ηλεκτρικού εργαλείου σε απρόβλεπτες καταστάσεις.

- Ντύνεστε κατάλληλα. Μη φοράτε φαρδιά ρούχα ή κοσμήματα. Κρατάτε τα μαλλιά, τα ρούχα και τα γάντια σας μακριά από τα κινούμενα μέρη. Χαλαρά ρούχα, κοσμήματα ή μακριά μαλλιά μπορεί να εμπλακούν σε κινούμενα μέρη.
- Αν παρέχονται συσκευές για σύνδεση στο σύστημα εξαγωγής ή συλλογής της σκόνης, φροντίστε να τις συνδέσετε και να τις χρησιμοποιήσετε σωστά. Η χρήση συσκευών συλλογής σκόνης μπορεί να μειώσει τους κινδύνους που σχετίζονται με αυτή.

ΧΡΗΣΗ ΚΑΙ ΦΡΟΝΤΙΔΑ ΤΟΥ ΕΡΓΑΛΕΙΟΥ

- Μην ασκείτε υπερβολική δύναμη στο ηλεκτρικό εργαλείο. Χρησιμοποιείτε το σωστό ηλεκτρικό εργαλείο για την εργασία σας. Το σωστό ηλεκτρικό εργαλείο θα κάνει την εργασία καλύτερα και ασφαλέστερα στον ρυθμό για τον οποίο έχει σχεδιαστεί.
- Μη χρησιμοποιείτε το ηλεκτρικό εργαλείο αν ο διακόπτης δεν μπορεί να το ενεργοποιήσει και να το απενεργοποιήσει. Οποιοδήποτε ηλεκτρικό εργαλείο που δεν μπορεί να ελεγχθεί με τον διακόπτη είναι επικίνδυνο και πρέπει να επισκευαστεί.
- Αποσυνδέετε το φως από την πρίζα ή/και αφαιρείτε την μπαταρία πριν κάνετε οποιαδήποτε ρύθμιση, αλλάξετε εξαρτήματα ή αποθηκεύσετε το ηλεκτρικό εργαλείο. Αυτά τα προληπτικά μέτρα μειώνουν τον κίνδυνο τυχαίας εκκίνησης του ηλεκτρικού εργαλείου.
- Αποθηκεύετε τα αδρανή ηλεκτρικά εργαλεία μακριά από σημεία όπου έχουν πρόσβαση τα παιδιά και μην αφήνετε άτομα μη εξοικειωμένα με το ηλεκτρικό εργαλείο ή με αυτές τις οδηγίες να χρησιμοποιήσουν το εργαλείο. Τα ηλεκτρικά εργαλεία αποτελούν κίνδυνο όταν χρησιμοποιούνται από ανεκπαιδευτους χρήστες.
- Συντηρείτε σωστά τα ηλεκτρικά εργαλεία. Ελέγχετε για πιθανή κακή ευθυγράμμιση ή εμπλοκή των κινούμενων εξαρτημάτων, σπασμένα μέρη και οποιαδήποτε άλλη κατάσταση που μπορεί να επηρεάσει τη λειτουργία του ηλεκτρικού εργαλείου. Αν το ηλεκτρικό εργαλείο πάθει βλάβη, δώστε το για επισκευή πριν να το χρησιμοποιήσετε πάλι. Πολλά ατυχήματα προκαλούνται από κακώς συντηρημένα ηλεκτρικά εργαλεία.
- Διατηρείτε τα κοπτικά εξαρτήματα αιχμηρά και καθαρά. Τα κοπτικά εργαλεία που έχουν συντηρηθεί σωστά και διαθέτουν αιχμηρές κόψεις είναι λιγότερο πιθανό να μπλοκάρουν, ενώ είναι ευκολότερα στο χειρισμό

- Χρησιμοποιείτε το ηλεκτρικό εργαλείο, τα εξαρτήματα, τις μύτες κλπ. σύμφωνα με αυτές τις οδηγίες, λαμβάνοντας υπόψη τις συνθήκες εργασίας και την προς εκτέλεση εργασία. Η χρήση ενός ηλεκτρικού εργαλείου για λειτουργίες διαφορετικές από αυτές για τις οποίες προορίζεται είναι πιθανόν να οδηγήσει σε επικίνδυνες καταστάσεις.

ΧΡΗΣΗ ΚΑΙ ΦΡΟΝΤΙΔΑ ΤΟΥ ΕΡΓΑΛΕΙΟΥ

- Επαναφορτίζετε το εργαλείο μόνο με το φορτιστή που ορίζεται από τον κατασκευαστή. Κάποιος φορτιστής που είναι κατάλληλος για έναν τύπο μπαταρίας μπορεί να δημιουργήσει κίνδυνο πυρκαγιάς εάν χρησιμοποιηθεί με άλλον τύπο μπαταρίας.
- Χρησιμοποιείτε τα ηλεκτρικά εργαλεία μόνο με τις μπαταρίες που προορίζονται για αυτά. Η χρήση οποιασδήποτε άλλης μπαταρίας μπορεί να προκαλέσει κίνδυνο τραυματισμού και πυρκαγιάς.
- Όταν η μπαταρία δεν χρησιμοποιείται, φυλάσσετε τη μακριά από μεταλλικά αντικείμενα όπως συνδετήρες, νομίσματα, κλειδιά, καρφιά, βίδες ή άλλα μικρά μεταλλικά αντικείμενα, τα οποία μπορεί να δημιουργήσουν σύνδεση μεταξύ των ακροδεκτών. Το βραχυκύκλωμα των ακροδεκτών της μπαταρίας μεταξύ τους ενδέχεται να προκαλέσει έγκαιρα ή πυρκαγιά.
- Σε συνθήκες κακής χρήσης, μπορεί να εκτοξευτούν υγρά από την μπαταρία. Να αποφεύγετε την επαφή με αυτά. Σε περίπτωση που υπάρξει επαφή κατά λάθος, ξεπλύνετε με νερό. Αν το υγρό έρθει σε επαφή με τα μάτια, αναζητήστε επιπλέον ιατρική βοήθεια. Τα υγρά, τα οποία εκτινάσσονται από την μπαταρία ενδέχεται να προκαλέσουν ερεθισμό ή εγκαύματα.

ΣΕΡΒΙΣ

- Το σέρβις ηλεκτρικού εργαλείου σας πρέπει να γίνεται από εξειδικευμένο τεχνικό, χρησιμοποιώντας μόνο ίδια ανταλλακτικά. Έτσι θα εξασφαλιστεί η διατήρηση της ασφάλειας ηλεκτρικού εργαλείου.

ΠΡΟΕΙΔΟΠΟΙΗΣΕΙΣ ΑΣΦΑΛΕΙΑΣ ΓΙΑ ΘΑΜΝΟΚΟΠΤΙΚΑ

- Διατηρείτε όλα τα μέρη του σώματός σας μακριά από το κοπτικό εξάρτημα. Μην απομακρύνετε ή μην πιάνετε τα κομμένα υπολείμματα όταν οι λεπίδες του κοπτικού εξαρτήματος κινούνται. Σιγουρευτείτε ότι ο διακόπτης είναι στη θέση απενεργοποίησης όταν καθορίζετε υλικό που έχει εμπλακεί. Μια στιγμή απροσεξίας κατά τη χρήση του θαμνοκοπτικού μπορεί να προκαλέσει σοβαρό τραυματισμό.

- **Μεταφέρετε το θαμνοκοπτικό από τη λαβή με τη λεπίδα του κοπτικού εξαρτήματος να έχει σταματήσει να κινείται.** Όταν μεταφέρετε ή αποθηκεύετε το θαμνοκοπτικό να τοποθετείτε πάντα το κάλυμμα του κοπτικού εξαρτήματος. Ο σωστός χειρισμός του θαμνοκοπτικού θα μειώσει πιθανό τραυματισμό από τις λεπίδες του κοπτικού εξαρτήματος.
- **Κρατάτε το ηλεκτρικό εργαλείο από τις μονωμένες λαβές μόνο, γιατί το αλυσσπρίνο μπορεί να έρθει σε επαφή με κρυφές καλωδιώσεις.** Αν μια αλυσίδα πριονιού έρθει σε επαφή με «ηλεκτροφόρα» καλώδια, ενδέχεται τα μεταλλικά μέρη του ηλεκτρικού εργαλείου να καταστούν και αυτά «ηλεκτροφόρα» και να προκαλέσουν ηλεκτροπληξία στον χειριστή.
- **Να διατηρείτε το καλώδιο μακριά από την περιοχή κοπής.** Κατά τη διάρκεια της λειτουργίας το καλώδιο μπορεί να κρυφτεί μέσα σε θάμνους και να κοπεί κατά λάθος από τη λεπίδα.
- **Πριν τη λειτουργία ελέγχετε τον θάμνο για ξένα αντικείμενα, π.χ. συρματοπλέγματα.**
- **Χρησιμοποιείτε το θαμνοκοπτικό μόνο με σωστά τοποθετημένο προστατευτικό.** Η χρήση του θαμνοκοπτικού χωρίς το σωστό προστατευτικό μπορεί να επιφέρει σοβαρό ατομικό τραυματισμό!
- **Να κρατάτε το μηχανήμα χρησιμοποιώντας και τα δυο σας χέρια.** Η χρήση του ενός χεριού μπορεί να προκαλέσει απώλεια του ελέγχου και να επιφέρει σοβαρό ατομικό τραυματισμό.

▲ ΠΡΟΕΙΔΟΠΟΙΗΣΗ: Πριν τη λειτουργία ελέγχετε τον θάμνο για ξένα αντικείμενα, π.χ. συρματοπλέγματα. Χρησιμοποιείτε το θαμνοκοπτικό μόνο με σωστά συναρμολογημένο προστατευτικό. Η χρήση του θαμνοκοπτικού χωρίς το σωστό προστατευτικό μπορεί να επιφέρει σοβαρό ατομικό τραυματισμό!

ΣΗΜΑΝΤΙΚΕΣ ΟΔΗΓΙΕΣ ΑΣΦΑΛΕΙΑΣ

- Μη χρησιμοποιείτε το θαμνοκοπτικό μπαταρίας στη βροχή.
- Μη φορτίζετε τη μπαταρία στη βροχή ή σε υγρές τοποθεσίες.
- Να χρησιμοποιείται μόνο με τις συστοιχίες μπαταριών και τους φορτιστές που αναφέρονται στην εικ. Α.
- Μην πιάνετε τις εκτεθειμένες λεπίδες κοπής ή ακμές κοπής όταν πιάνετε ή κρατάτε το θαμνοκοπτικό.

- Μη χρησιμοποιείτε επάνω σε σκάλα, στέγη, δέντρο ή άλλη ασταθή υποστήριξη. Το σταθερό πάτημα σε μια ανθεκτική επιφάνεια διευκολύνει τον καλύτερο έλεγχο του θαμνοκοπτικού σε μη αναμενόμενες καταστάσεις.
- Ποτέ μην αφήνετε παιδιά να χειρίζονται το θαμνοκοπτικό.
- Ποτέ μην απομακρύνετε ή σκαλίζετε τις συσκευές ασφαλείας. Ελέγχετε την σωστή τους λειτουργία τακτικά. Ποτέ μην παρεμβαίνετε στην προοριζόμενη λειτουργία μιας συσκευής ασφαλείας ή μην μειώνετε την παρεχόμενη προστασία μιας συσκευής ασφαλείας.
- Ποτέ μη χειρίζεστε το θαμνοκοπτικό χωρίς σωστά προστατευτικά, πλάκες ή άλλες συσκευές προστασίας της ασφαλείας στη θέση τους.
- Ελέγχετε τα φθαρμένα εξαρτήματα πριν από περαιτέρω χρήση του θαμνοκοπτικού. Πρέπει να ελέγχετε προσεκτικά τα προστατευτικά ή άλλα εξαρτήματα για ενδείξεις βλάβης για να προσδιορίσετε αν θα λειτουργήσουν σωστά και πραγματοποιήσουν τη λειτουργία για την οποία προορίζονται. Ελέγχετε για στρεβλώσεις ή εμπλοκή των κινούμενων εξαρτημάτων, σπάσιμο τμημάτων, ορθή συναρμολόγηση ή οποιαδήποτε άλλη κατάσταση που είναι πιθανό να επηρεάσει τη λειτουργία του ηλεκτρικού εργαλείου. Η καλύπτρα ή οποιοδήποτε άλλο τμήμα που έχει φθαρεί θα πρέπει να επισκευαστεί σωστά ή να αντικατασταθεί σε εξουσιοδοτημένο σημείο σέρβις, εκτός κι αν αναφέρεται διαφορετικά στο παρόν εγχειρίδιο.
- Ελέγχετε τη λεπίδα και τα μπουλόνια τοποθέτησης κινητήρα ανά τακτά χρονικά διαστήματα για σωστό σφίξιμο. Επίσης ελέγχετε οπτικά τη λεπίδα για ζημιές (π.χ. λυγίσμα, ρωγμή και φθορές). Αντικαθιστάτε τη λεπίδα μόνο με λεπίδα της EGO™.
- Αντικαθιστάτε τη λεπίδα εάν έχει λυγίσει ή έχει ρωγμές. Μια λεπίδα χωρίς ισορροπία προκαλεί κραδασμούς που θα μπορούσαν να προκαλέσουν ζημιά στη μονάδα οδηγού κινητήρα ή ατομικό τραυματισμό.
- Εάν ο εξοπλισμός αρχίσει να δονείται μη φυσιολογικά, σταματήστε τον κινητήρα και ελέγξτε αμέσως την αιτία. Οι κραδασμοί είναι συνήθως προειδοποίηση προβλημάτων.
- Το θαμνοκοπτικό πρέπει να χρησιμοποιείται για την κοπή κοτσανιών πάχους μικρότερου από (33mm).
- Κόβετε μόνο στο φως τις ημέρας ή κάτω από δυνατό τεχνητό φωτισμό.
- Αφαιρείτε ή αποσυνδέετε τη μπαταρία πριν το σέρβις, τον καθαρισμό ή την απομάκρυνση υλικών από το θαμνοκοπτικό.
- Μην πλένετε με λάστιχο. Αποφεύγετε να εισέρχεται νερό στον κινητήρα και στις ηλεκτρικές συνδέσεις.
- Όταν κάνετε συντήρηση του εργαλείου, χρησιμοποιείτε μόνο τα ίδια ανταλλακτικά που αναφέρονται στο παρόν εγχειρίδιο. Η χρήση εξαρτημάτων που δεν πληρούν τις αρχικές προδιαγραφές εξοπλισμού μπορεί να οδηγήσει σε μειωμένη απόδοση και να θέσει σε κίνδυνο την ασφάλεια.

- Ακολουθείτε τις οδηγίες που αφορούν στη λίπανση και την αλλαγή αξεσουάρ.
- Διατηρείτε τις λαβές στεγνές, καθαρές και απομακρύνετε από αυτές τυχόν λάδια και γράσο.
- Φυλάξτε αυτές τις οδηγίες. Ανατρέχετε σε αυτές συχνά και χρησιμοποιείτε τις για να εκπαιδευτείτε άλλους που μπορεί να χρησιμοποιήσουν το εργαλείο. Εάν δανείσετε αυτό το εργαλείο σε κάποιον άλλο, δανείστε και αυτές τις οδηγίες, ώστε να εμποδίσετε εσφαλμένη χρήση του προϊόντος και πιθανό τραυματισμό.

- Η αναφερόμενη συνολική τιμή κραδασμών μπορεί να χρησιμοποιηθεί επίσης για την προκαταρκτική αξιολόγηση της έκθεσης.

ΣΗΜΕΙΩΣΗ: Οι εκπομπές κραδασμών κατά τη διάρκεια της πραγματικής χρήσης του ηλεκτρικού εργαλείου μπορεί να διαφέρουν από τη δηλωμένη τιμή στην οποία χρησιμοποιείται το εργαλείο. Για την προστασία του χειριστή, πρέπει να χρησιμοποιούνται γάντια και προστασία της ακοής στις πραγματικές συνθήκες χρήσης.

ΦΥΛΑΞΤΕ ΑΥΤΕΣ ΤΙΣ ΟΔΗΓΙΕΣ!

ΠΡΟΔΙΑΓΡΑΦΕΣ

Μοντέλο	HT5100E	HT6500E
Τάση	56 V ---	56 V ---
Ταχύτητα χωρίς φορτίο	ΨΗΛΑ	1600 /λεπτό
	Χαμηλός	1400 /λεπτό
Συνιστώμενη θερμοκρασία λειτουργίας	0°C-40°C	
Συνιστώμενη θερμοκρασία αποθήκευσης:	-20°C-70°C	
Μήκος λεπίδας	51 εκ	65 εκ
Ικανότητα κοπής	33 χιλ.	33 χιλ.
Βάρος (χωρίς συστοιχία μπαταριών, θήκη αλυσίδας)	3,6 κιλά	3,8 κιλά
Μετρημένη στάθμη ηχητικής ισχύος L_{WA}	90 dB(A) K = 1,55 dB(A)	91,45 dB(A) K = 1,08 dB(A)
Στάθμη ηχητικής πίεσης στη θέση χειριστή L_{PA} K = 2,5 dB(A)	81,5 dB(A)	81,4 dB(A)
Εγγυημένο επίπεδο ισχύος ήχου L_{WA} (μέτρηση σύμφωνα με 2000/14/EC)	92 dB(A)	93 dB(A)
Δονήσεις a_h K = 1,5 m/s ²	Μπροστινή λαβή	3,369 m/s ²
	Οπίσθια λαβή	1,876 m/s ²
		5,313 m/s ²
		3,115 m/s ²

- Η αναφερόμενη συνολική τιμή κραδασμών έχει μετρηθεί σύμφωνα με την πρότυπη μέθοδο ελέγχου και μπορεί να χρησιμοποιηθεί για τη σύγκριση ενός εργαλείου με κάποιο άλλο.

ΚΑΤΑΛΟΓΟΣ ΕΞΑΡΤΗΜΑΤΩΝ ΣΥΣΚΕΥΑΣΙΑΣ

ΟΝΟΜΑ ΕΞΑΡΤΗΜΑΤΟΣ	ΠΟΣΟΤΗΤΑ
ΘΑΜΝΟΚΟΠΤΙΚΟ ΣΑΣ	1
Προστατευτικό λεπίδας	1
Εγχειρίδιο χρήσης	1

ΠΕΡΙΓΡΑΦΗ

ΓΝΩΡΙΣΤΕ ΤΟ ΘΑΜΝΟΚΟΠΤΙΚΟ ΣΑΣ (Εικ. Α)

1. Κουμπί απελευθέρωσης της μπαταρίας
2. Οπίσθια λαβή
3. Σκανδάλη ασφάλισης
4. Πίσω διακόπτης
5. Κουμπί ρύθμισης ταχύτητας
6. Μπροστινή λαβή
7. Μπροστινός διακόπτης
8. Προστατευτικό χεριών
9. Προστατευτικό λεπίδας
10. Λεπίδα
11. Προστατευτικό ακμής
12. Μάνταλο
13. Ηλεκτρικές επαφές
14. Υποδοχή τοποθέτησης
15. Μηχανισμός εκτόξευσης
16. Κλειδωμα λαβής
17. Περιβλήμα κινητήρα
18. Προστατευτικό

⚠️ ΠΡΟΕΙΔΟΠΟΙΗΣΗ: Το προϊόν έχει αποσταλειπλήρως συναρμολογημένο. Το προστατευτικό χεριών δεν πρέπει να απομακρύνεται κατά τη χρήση. Εάν χαλάσει, επιτρέπεται να το αντικαταστήσειαμέσως ένας εξειδικευμένος τεχνικός του σέρβις.

⚠ ΠΡΟΕΙΔΟΠΟΙΗΣΗ: Η ασφαλής χρήση του προϊόντος απαιτεί την πλήρη κατανόηση των πληροφοριών που υπάρχουν επάνω στο μηχανήμα, όπως και μέσα στο εγχειρίδιο χρήσης, όπως και τη γνώση της εργασίας που θα προσπαθήσετε να εκτελέσετε. Πριν από τη χρήση του προϊόντος, εξοικειωθείτε με όλα τα χαρακτηριστικά λειτουργίας, όπως και τους κανόνες ασφαλείας.

ΛΕΙΤΟΥΡΓΙΑ

⚠ ΠΡΟΕΙΔΟΠΟΙΗΣΗ: Η εξοικειωσή σας με αυτό το προϊόν δε θα πρέπει να σας κάνει λιγότερο προσεκτικούς. Θυμηθείτε πως ένα κλάσμα δευτερολέπτου απροσεξίας μπορεί να προκαλέσει σοβαρό τραυματισμό.

⚠ ΠΡΟΕΙΔΟΠΟΙΗΣΗ: Φοράτε πάντα προστασία για τα μάτια με πλάινα προστατευτικά. Σε αντίθετη περίπτωση, είναι πιθανό να υπάρξει εκτόξευση αντικειμένων στα μάτια σας και άλλοι πιθανοί σοβαροί τραυματισμοί.

⚠ ΠΡΟΕΙΔΟΠΟΙΗΣΗ: Για να εμποδίσετε τυχαία εκκίνηση που θα μπορούσε να προκαλέσει σοβαρό ατομικό τραυματισμό, απομακρύνετε πάντα τη συστοιχία μπαταριών από το εργαλείο όταν συναρμολογείτε εξαρτήματα, διεξάγετε ρυθμίσεις, καθαρισμό ή σε περίπτωση μη χρήσης.

⚠ ΠΡΟΕΙΔΟΠΟΙΗΣΗ: Μη χρησιμοποιείτε προσαρτήματα ή αξεσουάρ που δε συνιστώνται από την EGO™. Η χρήση παρελκόμενων ή εξαρτημάτων που δε συνιστώνται από τον κατασκευαστή, ενέχει τον κίνδυνο σοβαρού τραυματισμού.

Πριν από κάθε χρήση, επιθεωρείτε ολόκληρο το προϊόν για κατεστραμμένα ή λασκαρισμένα εξαρτήματα ή εξαρτήματα που λείπουν, όπως βίδες, παξιμάδια, βίδες, καπάκια, κλπ. Σφίξτε καλά όλους τους σφιγκτήρες και τα καπάκια, και μη χρησιμοποιήσετε αυτό το προϊόν πριν να αντικατασταθούν όλα τα εξαρτήματα που λείπουν ή αυτά που έχουν καταστραφεί.

ΕΦΑΡΜΟΓΗ

Μπορείτε να χρησιμοποιείτε αυτό το προϊόν για την κοπή φρακτών από θάμνους και θάμνους με μια διάμετρο κλαδιού μικρότερη από Ø 33 χιλ.

ΣΗΜΕΙΩΣΗ: Το εργαλείο πρέπει να χρησιμοποιείται αποκλειστικά για τη σκοπούμενη χρήση. Οποιαδήποτε άλλη χρήση θα χαρακτηριστεί ως περίπτωση κακής χρήσης.

ΤΟΠΟΘΕΤΗΣΗ/ΑΠΟΜΑΚΡΥΝΣΗ ΤΗΣ ΣΥΣΤΟΙΧΙΑΣ ΜΠΑΤΑΡΙΩΝ

Φόρτιση πριν από την πρώτη χρήση.

Για την εγκατάσταση (Εικ. Β)

Ευθυγραμμίστε τις νευρώσεις μπαταρίας με τις οπές τοποθέτησης και πιέστε τη συστοιχία μπαταριών, έως ότου ακούσετε ένα «κλικ».

Για την απομάκρυνση (Εικ. C)

Πιέστε το κουμπί αποδέσμευσης μπαταρίας και βγάλτε έξω τη συστοιχία μπαταριών.

⚠ ΠΡΟΕΙΔΟΠΟΙΗΣΗ: Να προσέχετε πάντα την τοποθεσία των ποδιών σας, παιδιών ή κατοικίδιων όταν πιέζετε το κουμπί αποδέσμευσης μπαταρίας. Μπορεί να συμβεί σοβαρός τραυματισμός εάν πέσει κάτω η συστοιχία μπαταριών. ΠΟΤΕ μην απομακρύνετε τη συστοιχία μπαταριών σε υψηλότερο σημείο.

ΕΝΑΡΞΗ/ΣΤΑΜΑΤΗΜΑ ΤΟΥ ΘΑΜΝΟΚΟΠΤΙΚΟΥ

Πριν τη λειτουργία απομακρύνετε το προστατευτικό λεπίδας και κρατήστε το θαμνοκοπτικό και με τα δύο χέρια, το ένα χέρι στην πίσω λαβή και το άλλο στην μπροστινή λαβή. Κατόπιν βεβαιωθείτε ότι στέκεστε με ισορροπία, κάθετα και σε σωστή απόσταση κοπής.

⚠ ΠΡΟΕΙΔΟΠΟΙΗΣΗ: Να έχετε πάντα και τα δύο χέρια στις λαβές του θαμνοκοπτικού. Ποτέ μην κρατάτε τους θάμνους με το ένα χέρι και χειρίζεστε το θαμνοκοπτικό με το άλλο. Η μη τήρηση αυτής της προειδοποίησης μπορεί να έχει ως αποτέλεσμα σοβαρό τραυματισμό.

Έναρξη

Πιέστε τη σκανδάλη ασφάλισης με την παλάμη και κατόπιν πιέστε τον πίσω διακόπτη προς τα επάνω. Με πατημένο τον πίσω διακόπτη, συνεχίστε να πιέζετε τον μπροστινό διακόπτη για την εκκίνηση.

Σταμάτημα

Για το σταμάτημα αποδεσμεύστε έναν από τους διακόπτες.

ΣΗΜΕΙΩΣΗ: Και οι δύο διακόπτες πρέπει να πατηθούν για να εκκινήθει το θαμνοκοπτικό.

ΧΡΗΣΗ ΤΟΥ ΘΑΜΝΟΚΟΠΤΙΚΟΥ

⚠️ ΠΡΟΕΙΔΟΠΟΙΗΣΗ: Αν η λεπίδα φρακάρει σε ηλεκτρικό καλώδιο ή γραμμή, ΜΗΝ ΤΗΝ ΑΓΙΤΕΤΕ! ΜΠΟΡΕΙ ΝΑ ΚΑΤΑΣΤΕΙ ΗΛΕΚΤΡΟΦΟΡΑ ΚΑΙ ΠΟΛΥ ΕΠΙΚΙΝΔΥΝΗ. Συνεχίστε να κρατάτε το θαμνοκοπτικό από τη μονωμένη πίσω λαβή ή ακουμπήστε το κάτω με ασφαλή τρόπο και απομακρυνθείτε από αυτό. Διακόψτε το ρεύμα στην κατεστραμμένη γραμμή ή το καλώδιο πριν επιχειρήσετε να ελευθερώσετε τη λεπίδα από τη γραμμή ή το καλώδιο. Η μη τήρηση αυτής της προειδοποίησης θα έχει ως αποτέλεσμα σοβαρό ατομικό τραυματισμό ή πιθανό θάνατο.

⚠️ ΠΡΟΕΙΔΟΠΟΙΗΣΗ: Για να εμποδίσετε σοβαρό ατομικό τραυματισμό, διατηρείτε τα χέρια μακριά από λεπίδες. Μην προσπαθείτε να απομακρύνετε κομμένο υλικό ή μην πιάνετε το υλικό που θα κοπεί όταν οι λεπίδες κινούνται. Εξασφαλίστε ότι οι λεπίδες έχουν σταματήσει εντελώς και η συστοιχία μπαταριών έχει απομακρυνθεί προτού καθαρίσετε μπλοκαρισμένο υλικό από τις λεπίδες. Μην πιάνετε τις εκτεθειμένες λεπίδες κοπής ή ακμής κοπής όταν πιάνετε ή κρατάτε τη μονάδα.

⚠️ ΠΡΟΕΙΔΟΠΟΙΗΣΗ: Καθαρίζετε την περιοχή κοπής πριν από κάθε χρήση. Απομακρύνετε όλα τα αντικείμενα όπως καλώδια, φώτα, σύρματα ή κορδόνια, τα οποία μπορεί να μπερδευτούν στη λεπίδα κοπής και να δημιουργήσουν κίνδυνο σοβαρού ατομικού τραυματισμού.

⚠️ ΠΡΟΕΙΔΟΠΟΙΗΣΗ: Αποφεύγετε μεγάλες κοπές μονομιάς ή μέσα από την πυκνή διάταξη θάμνων. Έτσι θα δυσκολευτεί η κίνηση των λεπίδων και θα είναι αργή με αποτέλεσμα να μειωθεί η απόδοση κοπής.

ΣΗΜΕΙΩΣΗ: Για νέους θάμνους είναι κατάλληλη μια πλατιά σαρωτική κίνηση για τα κοτσάνια ώστε να τροφοδοτούνται άμεσα στη λεπίδα κοπής. Για παλαιότερους θάμνους είναι καλή μια κίνηση κοπής για την κοπή χοντρότερων κοτσανιών. Συστήνεται ένα πριόνι χειρός ή πριόνι κλαδέματος για την κοπή πρώτα μεγάλων κοτσανιών.

Κοπή από επάνω

Χρησιμοποιείτε μια πλατιά σαρωτική κίνηση. Μια ελαφριά καθοδική κλίση των λεπίδων κοπής στον κατεύθυνση της κίνησης παρέχει τα καλύτερα αποτελέσματα κοπής. Για καλύτερα αποτελέσματα κοπής μπορείτε επίσης να χρησιμοποιήσετε το νήμα για την καθοδήγηση του επιπέδου θάμνου όπως φαίνεται στην Εικ. D.

Πλαϊνή κοπή

Όταν κόβετε στις πλευρές του θάμνου, ξεκινάτε απότομα κάτω μέρος και κόβετε προς τα επάνω όπως φαίνεται στην Εικ. E1 ή Εικ. E2.

Ριζική κοπή

Η πίσω λαβή του θαμνοκοπτικού μπορεί να ρυθμιστεί σε πέντε θέσεις ($0^\circ/\pm 45^\circ/\pm 90^\circ$) τραβώντας έξω το κουμπωματό (Εικ. F1 έως Εικ. F5). Εάν απαιτείται ριζική κοπή, ρυθμίστε την πίσω λαβή στο $\pm 45^\circ$ (Εικ. F2 & F4) για να κάνετε την κοπή.

⚠️ ΠΡΟΕΙΔΟΠΟΙΗΣΗ: Όταν ρυθμιστεί η λαβή, η λεπίδακοπής δεν πρέπει να λειτουργεί.

ΣΗΜΕΙΩΣΗ: Κατά την εργασία, η λαβή πρέπει να κοιτάζει πάντα προς τα επάνω ανεξάρτητα από την κατεύθυνση του θαμνοκοπτικού

Προστατευτικό ακμής

Το προστατευτικό ακμής (Εικ. G) χρησιμοποιείται για την προστασία του εξωτερικού άκρου της λεπίδας.

Προστατευτικό ακμ

Το εξωτερικό τμήμα των λεπίδων έχει σχήμα προστατευτικών λεπίδων (Εικ. H).

H-1	Λεπίδα
H-2	Προστατευτικό λεπίδας

⚠️ ΠΡΟΕΙΔΟΠΟΙΗΣΗ: Βεβαιώνετε πάντα ότι το προστατευτικό λεπίδας δεν έχει ζημιές ή παραμορφώσεις. Αντικαταστήστε το εάν έχει λυγίσει ή έχει ζημιές.

ΣΥΝΤΗΡΗΣΗ

⚠️ ΠΡΟΕΙΔΟΠΟΙΗΣΗ: Όταν κάνετε συντήρηση του εργαλείου, χρησιμοποιείτε μόνο ίδια ανταλλακτικά. Η χρήση οποιωνδήποτε άλλων εξαρτημάτων μπορεί να προκαλέσει κίνδυνο ή υλικές ζημιές. Για να διασφαλίσετε την ασφάλεια και την αξιοπιστία, όλες οι επισκευές πρέπει να διεξάγονται από εξειδικευμένο τεχνικό του σέρβις.

⚠️ ΠΡΟΕΙΔΟΠΟΙΗΣΗ: Για την αποφυγή σοβαρού ατομικού τραυματισμού, αφαιρείτε πάντοτε τη συστοιχία μπαταριών από το προϊόν πριν από τον καθαρισμό του ή πριν από οποιαδήποτε συντήρηση.

ΚΑΘΑΡΙΣΜΟΣ

- Χρησιμοποιείτε μια μαλακιά βούρτσα για την απομάκρυνση υπολειμμάτων από όλες τις εισόδους αέρα και από τη λεπίδα κοπής.
- Για να απομακρύνετε υπολείμματα που κολλάνε, ψεκάστε τις λεπίδες με διάλυμα ρητίνης. Θέστε σε σύντομη λειτουργία τον κινητήρα έτσι ώστε το διάλυμα να μοιραστεί ομοιόμορφα.
- Σκουπίστε την επιφάνεια με ένα στεγνό πανί.

⚠ ΠΡΟΕΙΔΟΠΟΙΗΣΗ: Ποτέ μη χρησιμοποιείτε νερό για τον καθαρισμό του θαμνοκοπτικού σας. Αποφύγετε τη χρήση διαλυτών κατά τον καθαρισμό των πλαστικών εξαρτημάτων. Τα περισσότερα πλαστικά είναι ευπαθή στη χρήση διαφόρων τύπων διαλυτών του εμπορίου. Χρησιμοποιείτε καθαρά πανιά για την απομάκρυνση βρωμιάς, σκόνης, λαδιού, γράσου κλπ.

ΑΚΟΝΙΣΜΑ ΤΗΣ ΛΕΠΙΔΑΣ ΚΟΠΗΣ

1. Αφαιρείτε τη συστοιχία μπαταριών από το θαμνοκοπτικό σας.
2. Στερεώστε τη μονάδα λεπίδας σε μια μέγερνη και ακονίστε ην εκτεθειμένη επιφάνεια κοπής κάθε οδόντωσης λεπίδας. Αφαιρέστε όσο λιγότερο υλικό γίνεται.
3. Αφαιρέστε το χλοοκοπτικό από τη μέγερνη και ρυθμίστε την μη ακονισμένη λεπίδα στην άλλη εκτεθειμένη πλευρά. Επαναλάβετε τις παραπάνω διαδικασίες, έως ότου ακονιστούν όλες οι οδόντωσεις λεπίδας.

ΣΗΜΕΙΩΣΗ: Μη χρησιμοποιήσετε το θαμνοκοπτικό σας με στομωμένες ή φθαρμένες λεπίδες κοπής. Μπορεί να προκληθεί υπερφόρτωση και τα αποτελέσματα κοπής να είναι απογοητευτικά.

ΛΙΠΑΝΣΗ ΤΗΣ ΛΕΠΙΔΑΣ

Για καλύτερη εργασία και μεγαλύτερη διάρκεια ζωής των λεπίδων, λιπαίνετε τη λεπίδα του θαμνοκοπτικού με ελαφρύ λάδι μηχανών πριν και μετά από κάθε χρήση.

Απομακρύνετε τη συστοιχία μπαταριών και τοποθετήστε το θαμνοκοπτικό επάνω σε μια επίπεδη επιφάνεια. Εφαρμόστε το λάδι κατά μήκος της ακμής στην επάνω λεπίδα.

ΣΗΜΕΙΩΣΗ: Για επιμήκυνση της διάρκειας ζωής λαδώνετε τη λεπίδα κατά τη διάρκεια της λειτουργίας κοπής.

⚠ ΠΡΟΕΙΔΟΠΟΙΗΣΗ: Μη λαδώνετε όταν το θαμνοκοπτικό είναι σε λειτουργία.

ΛΙΠΑΝΣΗ ΤΟΥ ΚΙΒΩΤΙΟΥ ΟΔΟΝΤΟΤΡΟΧΩΝ

Για καλύτερη λειτουργία και μεγαλύτερη διάρκεια ζωής, λιπαίνετε το κιβώτιο οδοντοτροχών με ειδικό γράσο (5-6g στο 1 και 10-12g στο 2 τη φορά) ανα 25 ώρες λειτουργίας.

ΣΗΜΕΙΩΣΗ: Επικοινωνήστε με τον τοπικό αντιπρόσωπο σεβρις της ego για βοήθεια.

Το ειδικό γράσο πρέπει να αναπαοκρίνεται στις εξής απαιτήσεις:

1. Ανήκει σε DIN51818: Βαθμός διείδυσης κίνου NLGI-2.
2. Αποτελείται από πυκνωτικό μέσο πολυουρίας και συνθετικό λιπαντικό λάδι.

3. Άριστη εκκίνηση χαμηλής θερμοκρασίας, ΕΡ, μηχανικό κούρεμα, αντίσταση σε λείανση και αντιδιαβρωτικές ιδιότητες.
4. Θερμοκρασία λειτουργίας μεταξύ -40~180°C.

ΜΕΤΑΦΟΡΑ ΚΑΙ ΑΠΟΘΗΚΕΥΣΗ

- Τοποθετείτε πάντα το προστατευτικό λεπίδας στη λεπίδα, προτού αποθηκεύσετε ή μεταφέρετε το θαμνοκοπτικό. Να είστε προσεκτικοί και να αποφεύγετε την αιχμηρή οδόντωση της λεπίδας.
- Καθαρίστε το θαμνοκοπτικό επιμελώς πριν από την αποθήκευση.
- Αποθηκεύστε το θαμνοκοπτικό σε εσωτερικό, στεγνό χώρο, όπου δεν πλησιάζουν παιδιά.
- Κρατάτε το μακριά από διαβρωτικά προϊόντα, όπως χημικά και αποπαγωγικά άλατα κήπου.

⚠ ΠΡΟΕΙΔΟΠΟΙΗΣΗ: Οι λεπίδες είναι αιχμηρές. Όταν χειρίζεστε το συγκρότημα λεπίδας, φοράτε αντιολισθητικά, ανθεκτικά προστατευτικά γάντια. Μην τοποθετείτε το χέρι ή τα δάχτυλά σας μεταξύ των λεπίδων ή σε οποιαδήποτε θέση όπου μπορεί να μαγκωθούν ή κοπούν. ΠΟΤΕ μην αγγίζετε τις λεπίδες ή μην συντηρείτε τη μονάδα με εγκατεστημένη τη συστοιχία μπαταριών.

Προστασία του περιβάλλοντος



Μην απορρίπτετε τους ηλεκτρικούς εξοπλισμούς, το φορτιστή μπαταρίας και τις μπαταρίες/επαναφορτιζόμενες μπαταρίες στα οικιακά απορρίμματα!

Σύμφωνα με τον Ευρωπαϊκό νόμο 2012/19/ΕΕ, οι ηλεκτρικοί και οι ηλεκτρονικοί εξοπλισμοί που δεν χρησιμοποιούνται πλέον και σύμφωνα με τον Ευρωπαϊκό νόμο 2006/66/ΕΚ, οι ελαττωματικές ή χρησιμοποιημένες συστοιχίες μπαταριών/μπαταρίες πρέπει να συλλέγονται ξεχωριστά.

Εάν οι ηλεκτρικές συσκευές απορριφθούν στο ύπαιθρο ή σε χωματερές, τότε είναι πιθανό να διαρρεύσουν επικίνδυνες ουσίες στα υπόγεια ύδατα, με αποτέλεσμα να περάσουν στην τροφική αλυσίδα, προκαλώντας ζημιές στην υγεία και την φυσική σας κατάσταση.

ΑΝΤΙΜΕΤΩΠΙΣΗ ΠΡΟΒΛΗΜΑΤΩΝ

ΠΡΟΒΛΗΜΑ	ΑΙΤΙΑ	ΕΠΙΛΥΣΗ
Το θαμνοκοπτικό δεν λειτουργεί.	<ul style="list-style-type: none"> ■ Η συστοιχία μπαταριών δεν έχει προσαρτηθεί στο θαμνοκοπτικό. 	<ul style="list-style-type: none"> ■ Προσαρτήστε τη συστοιχία μπαταριών στο θαμνοκοπτικό.
	<ul style="list-style-type: none"> ■ Δεν υπάρχει ηλεκτρική επαφή μεταξύ του θαμνοκοπτικού και της μπαταρίας 	<ul style="list-style-type: none"> ■ Απομακρύνετε τη μπαταρία, ελέγξτε τις επαφές και επανεγκαταστήστε τη συστοιχία μπαταριών.
	<ul style="list-style-type: none"> ■ Η συστοιχία μπαταριών έχει εξαντληθεί. 	<ul style="list-style-type: none"> ■ Φορτίστε τη συστοιχία μπαταριών.
	<ul style="list-style-type: none"> ■ Η συστοιχία μπαταριών είναι πολύ καυτή. 	<ul style="list-style-type: none"> ■ Απομακρύνετε τη μπαταρία, Επιτρέψτε να κρυώσει το θαμνοκοπτικό, έως ότου η θερμοκρασία πέσει κάτω από τους 67°C.
	<ul style="list-style-type: none"> ■ Το θαμνοκοπτικό είναι πολύ καυτό. 	<ul style="list-style-type: none"> ■ Αποδεσμεύστε τους διακόπτες. Επιτρέψτε να κρυώσει το θαμνοκοπτικό, έως ότου η θερμοκρασία πέσει κάτω από τους 77°C.
	<ul style="list-style-type: none"> ■ Οι δύο διακόπτες δεν πατήθηκαν ταυτόχρονα. 	<ul style="list-style-type: none"> ■ Πιέστε ταυτόχρονα τους διακόπτες στην μπροστινή και πίσω λαβή.
	<ul style="list-style-type: none"> ■ Η λεπίδα είναι μπλοκαρισμένη. 	<ul style="list-style-type: none"> ■ Αφαιρέστε τη συστοιχία μπαταριών από το εργαλείο, απομακρύνετε προσεκτικά το εμπόδιο, κατόπιν επανεισάγετε τη μπαταρία και επανεκκινήστε το εργαλείο.
Υπερβολικοί κραδασμοί ή θόρυβος	<ul style="list-style-type: none"> ■ Στεγνές ή διαβρωμένες λεπίδες. 	<ul style="list-style-type: none"> ■ Λιπαίνετε τις λεπίδες, τηρώντας το απόσταση «ΛΙΠΑΝΣΗ ΤΗΣ ΛΕΠΙΔΑΣ» που βρίσκονται στη στο παρόν εγχειρίδιο.
	<ul style="list-style-type: none"> ■ Οι λεπίδες ή η υποστήριξη λεπίδας έχει λυγίσει. 	<ul style="list-style-type: none"> ■ Αντικαταστήστε με μια νέα λεπίδα ή υποστήριξη. Επικοινωνήστε με το κέντρο σέρβις της EGO για την υπηρεσία αντικατάστασης της λεπίδας ή της υποστήριξης.
	<ul style="list-style-type: none"> ■ Λυγισμένη ή φθαρμένη οδόντωση. 	<ul style="list-style-type: none"> ■ Αντικαταστήστε με μια νέα λεπίδα. Επικοινωνήστε με το κέντρο σέρβις της EGO για την υπηρεσία αντικατάστασης της λεπίδας.
	<ul style="list-style-type: none"> ■ Λασκαρισμένα μπουλόνια λεπίδας. 	<ul style="list-style-type: none"> ■ Σφίξτε τα μπουλόνια λεπίδας. Χρησιμοποιώντας ένα κλειδί, γυρίστε δεξιόστροφα το μπουλόνι για σφίξτε.

GR

ΕΓΓΥΗΣΗ

ΠΟΛΙΤΙΚΗ ΕΓΓΥΗΣΗΣ EGO

Επισκεφθείτε την ιστοσελίδα egopowerplus.com για όλους τους όρους και τις προϋποθέσεις της πολιτικής εγγύησης EGO.

TÜM TALIMATLARI OKUYUN!



KULLANMA KILAVUZUNU OKUYUP ANLAYIN

⚠ Artık risk! Kalp pili gibi elektronik cihaz kullanan kişiler bu ürünü kullanmadan önce hekimlerine danışmalıdır. Elektrikli cihazların, kalp pili yakınında çalıştırılması kalp pilinde parazite veya arızaya neden olabilir.

⚠ UYARI: Güvenliği ve güvenilirliği sağlamak için, tüm onarım işlemleri yetkili bir servis teknisyeni tarafından gerçekleştirilmelidir.

GÜVENLİK SEMBOLLERİ

Güvenlik sembollerinin amacı olası tehlikelere dikkatinizi çekmektir. Güvenlik sembolleri ve yanlarındaki açıklamalar özel dikkat ve anlayış göstermenizi gerektirir. Uyarı sembolleri kendi başlarına herhangi bir tehlikeyi gidemez.

Sundukları talimat ve uyarılar uygun kaza önleme önlemlerinin yerine geçmez.

UYARI: Bu aleti kullanmadan önce, „TEHLİKE“, „UYARI“ ve „DİKKAT“ gibi tüm güvenlik uyarı ve sembollerini içeren bu Kullanım Kılavuzu içerisindeki tüm güvenlik talimatlarını okuyup anladığınızdan emin olun. Aşağıdaki talimatların tamamına uyulmaması elektrik çarpması, yangın ve/veya ciddi kişisel yaralanma ile sonuçlanabilir.

SEMBOLÜN ANLAMI

GÜVENLİK UYARI SEMBOLÜ: TEHLİKE, UYARI veya **DİKKAT** edilmesi gereken durumları gösterir. Diğer semboller veya resimlerle birlikte kullanılabilir.

⚠ UYARI: Herhangi bir elektrikli aletin kullanımı yabancı nesnelerin gözlerinize fırlatılması sonucunu doğurabilir, bu da gözlerde ciddi hasara yol açabilir. Elektrikli aleti kullanmaya başlamadan önce, daima göz koruması veya yan siperleri olan koruyucu gözlük takın ve gerektiğinde tam yüz siperi kullanın. Gözlük üzerine kullanım için Geniş Görüşlü Koruyucu Maske ya da yan siperleri olan standart koruyucu gözlükleri tavsiye ederiz.

GÜVENLİK TALIMATLARI

Bu sayfada, bu ürün üzerinde görülebilecek güvenlik sembolleri gösterilmekte ve açıklanmaktadır. Makineyi monte etmeye ve kullanmaya başlamadan önce, makineye ilişkin tüm talimatları okuyup anlayın ve bu talimatlara uyun.

	Güvenlik Uyarısı	Potansiyel bir kişisel yaralanma tehlikesini gösterir.
	Kullanım Kılavuzunu Okuyun	Yaralanma riskini azaltmak için, kullanım kılavuzu mutlaka okunmalıdır.
	Yağmura Maruz Bırakmayın	UYARI: Bu ürünü yağmur altında kullanmayın veya yağmur yağarken dışarıda bırakmayın.
	Bıçak Uzunluğu	Bıçak uzunluğu
	Kesim Kapasitesi	Maks. bıçak kesim kapasitesi
V	Volt	Voltaj
A	Amper	Akım
Hz	Hertz	Frekans (saniyedeki dönüş sayısı)
W	Watt	Güç
min	Dakika	Zaman
~	Alternatif Akım	Akım türü
≡	Doğru Akım	Akım türü ve özelliği
n ₀	Yüksüz Hız	Yüksüz dönüş hızı
... /min	Dakika Başına	Dakika başına dönüş
SPM	Dakika başına strok	Yüksüz strok hızı

ELEKTRİKLİ ALETLER İÇİN GENEL GÜVENLİK UYARILARI

⚠ UYARI: Tüm güvenlik uyarılarını ve talimatlarını okuyun. Uyarılara ve talimatlara uyulmaması, elektrik çarpması, yangın ve/veya ciddi yaralanma ile sonuçlanabilir.

Tüm uyarı ve talimatları gelecekte başvuru amacıyla muhafaza edin.

Uyarılarda geçen „elektrikli alet“ terimi ile elektrik prizinden beslenen (kablolu) elektrikli alet veya şarjlı (kablolu) elektrikli alet kastedilmektedir.

ÇALIŞMA ALANI GÜVENLİĞİ

- Çalışma alanını temiz tutun ve yeterli aydınlatma sağlayın. Karışık veya karanlık alanlar kazalara yol açar.
- Elektrikli aletleri yanıcı sıvı, gaz veya toz vb. içeren patlayıcı ortamlarda çalıştırmayın. Elektrikli aletten çıkan kıvılcımlar toz veya gazları tutuşturabilir.
- Çalışırken çocukları veya üçüncü şahısları elektrikli aletten uzak tutun. Dikkatinizin dağılması kontrolü kaybetmenize neden olabilir.

ELEKTRİK GÜVENLİĞİ

- Elektrikli aletin fişi prize uygun olmalıdır. Fiş üzerinde asla değişiklik yapmayın. Topraklanmış elektrikli aletlerle birlikte adaptör fişlerini kullanmayın. Üzerinde değişiklik yapılmamış fişler ve uygun prizler elektrik çarpmaya tehlikesini azaltacaktır.
- Boru, radyatör, fırın ocak ve buzdolabı gibi topraklanmış yüzeylerle temastan kaçının. Vücudunuz toprakla temas ederse elektrik çarpmaya riski artar.
- Şarj cihazını yağmur veya ıslak ortamlara maruz bırakmayın. Şarj cihazının içine giren su, elektrik çarpmaya riskini artırır.
- Kabloyu yanlış kullanmayın. Şarj cihazını asla kablosundan tutarak taşımayın, kablosundan çekmeyin veya kablosundan tutarak prizden çekmeyin. Kabloyu ısı, yağ, keskin kenarlı veya hareketli parçalardan uzak tutun. Hasarlı veya birbirine dolaşmış kablolar elektrik çarpmaya riskini artırır.
- Bir elektrikli aleti açık havada kullanırken, uygun bir dış mekan uzatma kablosu kullanın. Dış mekan için uygun bir kabloların kullanılması elektrik çarpmaya riskini azaltır.
- Elektrikli aletin rutubetli bir ortamda kullanılmasını gerekiyorsa, kaçak akım rölesi bulunan bir şebeke kullanın. GFCI (toprak hata devre kesicisi) kullanımı elektrik çarpmaya riskini azaltır.

KİŞİSEL GÜVENLİK

- Elektrikli aletleri kullanırken daima dikkatli olun, yaptığınız işe yoğunlaşın ve sağduyulu davranın. Yorgunken, uyuşturucu, alkol veya ilaçlı tedavi etkisi altındayken elektrikli aleti kullanmayın. Elektrikli aletleri kullanırken bir anlık dikkatsizlik ciddi kişisel yaralanmayla sonuçlanabilir.

- Kişisel koruyucu ekipman kullanın. Daima koruyucu gözlük takın. Koşullara uygun toz maskesi, kaymaz emniyet ayakkabıları, kask veya işitme koruması vb. koruyucu ekipman kullanılması kişisel yaralanmaları azaltır.
- Yanlışlıkla çalıştırmaktan kaçının. Aleti güç kaynağına ve/veya pil takımına takmadan, havaya kaldırmadan veya taşımadan önce açma kapama düğmesinin kapalı olduğundan emin olun. Aleti, parmağınızı açma kapama düğmesi üzerinde dururken taşımak veya alet açıkken fişi prize takmak kazalara davetiye çıkarır.
- Elektrikli aleti çalıştırmadan önce ayar veya İngiliz anahtarını varsa çıkarın. Elektrikli aletin döner parçalarına takılı kalmış bir anahtar kişisel yaralanmaya neden olabilir.
- Dengesiz bir duruşla çalışma yapmayın. Çalışma süresince ayaklarınızı sağlam basın ve dengeyi koruyun. Böyle yapılması, beklenmedik durumlarda elektrikli aletin daha iyi kontrol edilmesini sağlar.
- Uygun bir şekilde giyinin. Bol giysiler giymeyin veya takı takmayın. Saçlarınızı, elbiselerinizi ve eldivenlerinizi hareketli parçalardan uzak tutun. Bol giysiler, takılar veya uzun saçlar aletin hareketli parçalarına takılabilir.
- Toz toplayıcı cihaz bağlantıları ve toplama tesisleri olması durumunda, bu bağlantıların düzgün yapılmış ve kullanılıyor olduğundan emin olun. Toz tutucu cihazların kullanımı tozdan kaynaklanabilecek tehlikeleri azaltabilir.

ELEKTRİKLİ ALET KULLANIMI VE BAKIMI

- Elektrikli aleti zorlamayın. Yaptığınız işe uygun elektrikli aleti kullanın. Doğru elektrikli alet, tasarımına uygun değerlerde kullanıldığında daha iyi ve daha güvenli çalışacaktır.
- Açma kapama düğmesi çalışmıyorsa elektrikli aleti kullanmayın. Açma kapama düğmesi ile kontrol edilemeyen bir elektrikli alet tehlikelidir ve onarılması gerekir.
- Herhangi bir ayar işlemi, aksesuar değişimi veya elektrikli aletlerin saklanması öncesinde fişi prizden çekin ve/veya pil takımını elektrikli aletten çıkarın. Bu tür önleyici güvenlik önlemleri, elektrikli aletin yanlışlıkla çalışma riskini azaltacaktır.
- Çalıştırılmayan elektrikli aletleri çocuklardan uzak tutun ve elektrikli aletin kullanımına veya bu talimatlara aşina olmayan kimse için elektrikli aleti çalıştırmalarına izin vermeyin. Elektrikli aletler eğitimsiz kullanıcıların elinde tehlikelidir.

- **Elektrikli aletlerin bakımını yapın.** Hareketli parçaların kusursuz olarak işlev görüp görmediğini ve sıkışıp sıkışmadığını, parçaların hasarlı olup olmadığını ve elektrikli aletin çalışmasını etkileyebilecek tüm diğer koşulları kontrol edin. Elektrikli alet hasarlı ise, kullanmadan önce tamir ettirin. Kazaların çoğu, elektrikli alet bakımının yeterli şekilde yapılmamasından kaynaklanır.
- **Kesici aletleri keskin ve temiz tutun.** Keskin kesim kenarlarına sahip, bakımı yapılmış kesim aletleri daha az sorun çıkarır ve kontrolü kolaydır.
- **Elektrikli aleti, aksesuarlarını ve alet uçlarını vb. çalışma şartlarını ve yapılacak işi dikkate alarak bu talimatlara uygun şekilde kullanın.** Elektrikli aletin kullanım amacı dışındaki işlerde kullanılması tehlikeli durumlara neden olabilir.

PİLE ÇALIŞAN ALETLERİNİN KULLANIMI VE BAKIMI

- **Sadece üretici tarafından belirtilen şarj cihazı ile şarj edin.** Bir pil takımı için uygun olan şarj cihazı, başka bir pil takımı ile kullanıldığında yangın riski oluşturabilir.
- **Elektrikli aletleri sadece özel olarak üretilmiş pil paketleri ile kullanın.** Başka pil paketlerinin kullanımı yaralanma ve yangın tehlikesi oluşturabilir.
- **Pil paketinin kullanımda olmadığı durumlarda, pil paketini ataş, bozuk para, anahtar, çivi, vida veya pil kutupları arasında kısa devre yapabilecek diğer metal nesnelere uzak tutun.** Pil kutuplarının kısa devre edilmesi yangın veya yanıklara neden olabilir.
- **Kötü şartlar altında pilden sıvı akabilir; temas etmekten kaçının.** Yanlışlıkla temas edilirse, su ile yıkayın. Sıvı göze temas ederse, ayrıca tıbbi yardım alın. Pilden akan sıvı tahriş veya yanıklara neden olabilir.

SERVİS

- **Güç aracı, sadece orijinal yedek parça kullanan yetkili bir servis elemanına tamir ettirin.** Böylece güç aracı güvenliği korunmuş olacaktır.

ÇİT BUDAMA MAKİNESİ GÜVENLİK UYARILARI

- **Tüm vücut azalarnızı kesici bıçaktan uzak tutun.** Bıçaklar hareket halindeyken kesim malzemesini çıkarmayın veya kesilecek malzemeyi tutmayın. Sıkışan malzemeleri çıkarırken açma kapama düğmesinin kapalı olduğundan emin olun. Çit budama makinesini çalıştırırken bir anlık gaflet, ciddi kişisel yaralanmalara neden olabilir.
- **Çit budama makinesini, kesici bıçak çalışmıyorken sapından tutarak taşıyın.** Çit budama makinesini taşıırken veya saklarken mutlaka kesici cihaz kılıfını takın. Çit budama makinesinin düzgün kullanılması kesici bıçaklar nedeniyle oluşacak kişisel yaralanmaları azaltacaktır.

- **Testere zinciri, görünmeyen kablolar ile temas edebileceği için elektrikli aleti sadece yalıtımlı tutma yüzeylerinden tutun.** „Canlı“ (akım geçiren) bir kabloya temas eden testere zinciri elektrikli aletin metal kısımlarını da „canlı“ yapabilir ve çalışan kişinin çarpılmasına neden olabilir.
- **Kabloyu kesim alanından uzak tutun.** Çalışma sırasında kablo çalılar arasına gizlenmiş olabilir ve bıçak tarafından yanlışlıkla kesilebilir.
- **Çalışma öncesinde çit içinde tel örgü gibi yabancı cisimlerin bulunup bulunmadığını kontrol edin.**
- **Sadece koruması doğru şekilde takılmış olan çit budama makinesini kullanın.** Doğru koruması bulunmayan çit budama makinesinin kullanılması ciddi kişisel yaralanmalara neden olabilir!
- **Çit budama makinesini daima iki elinizle tutarak kullanın. Tek elin kullanılması kontrolün kaybedilmesine neden olarak ciddi kişisel yaralanmalara yol açabilir.**

⚠ UYARI: Çalışma öncesinde çit içinde tel örgü gibi yabancı cisimlerin bulunup bulunmadığını kontrol edin. Sadece koruması doğru şekilde takılmış olan çit budama makinesini kullanın. Doğru koruması bulunmayan çit budama makinesinin kullanılması ciddi kişisel yaralanmalara neden olabilir!

ÖNEMLİ GÜVENLİK TALİMATLARI

- Pille çalışan çit budama makinesini yağmurda kullanmayın.
- Pile paketini yağmurlu veya ıslak ortamlarda şarj etmeyin.
- Sadece şek. A'da listelenen pil paketi ve şarj cihazlarını kullanın.
- Çit budama makinesini havaya kaldırırken veya tutarken kesim bıçaklarından veya kesim kenarlarından kavramayın.
- Merdiven, çatı, ağaç veya diğer dengesiz destekler üzerinde kullanmayın. Sabit bir yüzey üzerine sağlam bir şekilde basılması, beklenmeyen durumlarda çit budama makinesinin daha iyi kontrol edilmesini sağlar.
- Çocukların budama makinesini kullanmasına asla izin vermeyin.

- Asla güvenlik cihazlarını sökmeyin veya üzerinde değişiklik yapmayın. Düzenli olarak bu cihazların düzgün çalıştığını kontrol edin. Asla bir güvenlik cihazının kullanım amacını engelleyecek veya güvenlik cihazı tarafından sağlanan korumayı azaltacak herhangi bir eylem gerçekleştirilmeyin.
- Çit budama makinesini uygun koruyucular, plakalar veya diğer koruyucu güvenlik cihazları yerinde olmadan asla kullanmayın.
- Çit budama makinesini tekrar kullanmadan önce, hasarlı parça olup olmadığını kontrol edin. Hasarlı bir koruyucu donanım ya da diğer herhangi bir parça, uygun biçimde çalışıp çalışmayacağı ve amaçlanan işlevini yerine getirip getirmeyeceğini belirlemek için dikkatle kontrol edilmelidir. Hareketli parçaların hizasını, hareketli parçaların bağlantılarını, parçalarda kırık olup olmadığını, montajını ve çalışmasını etkileyebilecek diğer tüm koşulları kontrol edin. Hasarlı bir koruyucu donanım ya da diğer herhangi bir parça bu kullanım kılavuzunda başka türlü belirtilmemişse yetkili bir Servis Merkezi tarafından uygun şekilde tamir edilmeli veya değiştirilmelidir.
- Bıçak ve motor montaj civatalarının tam sıkılış olduklarını sık sık kontrol edin. Ayrıca, bıçağın hasarlı (örn. eğik, çatlak ve aşınmış) olup olmadığını görsel olarak kontrol edin. Bıçağı sadece EGO™ markalı bir bıçak ile değiştirin
- Eğik veya çatlaksa bıçağı değiştirin. Balansı bozuk bir bıçak titreşime neden olarak motor tahrik birimine zarar verebilir ya da kişisel yaralanmaya neden olabilir.
- Cihaz anormal şekilde titreşmeye başlarsa, motoru derhal durdurun ve nedenini kontrol edin. Titreşim genellikle bir sorun olduğunu gösterir.
- Budama makinesi (22mm) kalınlığa kadar olan kökleri kesmek için kullanılabilir.
- Sadece gün ışığında veya iyi aydınlatılmış yerlerde budama yapın.
- Servis, temizlik veya budama makinesinden malzeme çıkarmadan önce pil takımını çıkarın veya bağlantısını kesin.
- Hortumla yıkamayın; motor ve elektrik bağlantılarına su kaçırmamaya dikkat edin.
- Bakım ve onarım sırasında sadece bu kılavuzda listelenen birebir aynı yedek parçaları kullanın. Orjinal ekipman özelliklerini karşılamayan parçaların kullanılması hatalı performans ve güvenlik zafiyetine yol açabilir.
- Yağlama ve aksesuar değişimi için verilen talimatlara uyun.

- Tutma saplarını kuru, temiz, benzin ve yağdan uzak tutun.
- Bu talimatları saklayın. Talimatlara sık sık müracaat edin ve bu aleti kullanacak diğer kişileri bilgilendirmek için kullanın. Bu aleti başka birine ödünç verirsiniz, ürünün yanlış kullanılmasını ve olası yaralanmaları önlemek için bu talimatları da ürünle birlikte verin.

BU TALİMATLARI SAKLAYIN!

TEKNİK ÖZELLİKLER

Model	HT5100E	HT6500E	
Voltaj	56 V 	56 V 	
Yüksüz hız	YÜKSEK	1600 /min	1600 /min
	DÜŞÜK	1400 /min	1400 /min
Tavsiye Edilen Çalışma Sıcaklığı:	0°C-40°C		
Tavsiye Edilen Depolama Sıcaklığı:	-20°C-70°C		
Bıçak Uzunluğu	51 cm	65 cm	
Kesim Kapasitesi	33 mm	33 mm	
Ağırlık (pil paketi hariç)	3,6 kg	3,8 kg	
Ölçülen ses güç düzeyi L _{WA}	90 dB(A) K = 1,55 dB(A)	91,45 dB(A) K = 1,08 dB(A)	
Operatör konumundaki ses güç düzeyi L _{PA} K = 2,5 dB(A)	81,5 dB(A)	81,4 dB(A)	
Garanti edilen ses güç düzeyi L _{WA} (2000/14/EC uyarınca ölçülmüş)	92 dB(A)	93 dB(A)	
Titreşim ah K=1,5 m/s ²	Ön Tutma Sapı	3,369 m/s ²	5,313 m/s ²
	Arka Tutma Sapı	1,876 m/s ²	3,115 m/s ²

- Bildirilen toplam titreşim değeri standart test yöntemiyle uygun olarak ölçülmüştür ve bir cihazı diğer bir cihaz ile karşılaştırmak için kullanılabilir.
- Bildirilen toplam titreşim değeri ayrıca ön maruz kalma değerlendirilmesinde de kullanılabilir.

UYARI: Elektrikli aletin gerçek kullanımını sırasında meydana gelen titreşim emisyonu aletin kullanım şekline bağlı olarak bildirilen değerden farklı olabilir; Operatörü korumak için, kullanıcı gerçek kullanım koşullarında eldiven ve kulak koruması takmalıdır.

AMBALAJ LİSTESİ

PARÇA ADI	MİKTAR
ÇİT BUDAMA MAKİNESİ	1
Bıçak Koruması	1
Kullanma kılavuzu	1

AÇIKLAMA

ÇİT BUDAMA MAKİNESİNİZİ TANIYIN (Şek. A)

- Pil Çıkarma Düğmesi
- Arka Tutma Sapı
- Kilitleme Tetiği
- Arka Anahtar Kolu
- Hız Ayar Düğmesi
- Ön Tutma Sapı
- Ön Anahtar Kolu
- El Koruması
- Bıçak Koruması
- Bıçak
- Uç Koruyucu
- Mandal
- Elektrik Kontakları
- Montaj Yuvası
- Çıkarma Mekanizması
- Tutma Sapı Kilidi
- Motor Gövdesi
- Siper

UYARI: Bu ürün tamamen monte edilmiş olarak gönderilir. Cihaz kullanılırken el koruması ile kullanılmalıdır. Hasarlıysa, derhal yetkili bir servisteknisyeni tarafından onarılmasını sağlayın.

UYARI: Bu ürünün güvenli şekilde kullanılması, proje bilgisinin yanı sıra alet üzerinde ve bu kullanım kılavuzunda yer alan bilgilerin anlaşılmasını gerektirir. Bu ürünü kullanmadan önce, tüm çalışma özelliklerini ve güvenlik kurallarını öğrenin.

ÇALIŞTIRMA

UYARI: Ürüne aşına olmanız sizi dikkatsiz yapmasın. İkinci dereceden bir dikkatsizliğin ciddi yaralanmalara neden olmak için yeterli olduğunu unutmayın.

UYARI: Daima yan siperleri olan göz koruması kullanın. Kulak koruması ile birlikte kullanın. Böyle yapılmaması sonucu gözlerinize fırlayan nesnelere ciddi kişisel yaralanmalara neden olabilir.

UYARI: Ciddi kişisel yaralanmalara neden olabilen yanlışlıkla çalışmayı önlemek için, parçaları monte ederken, ayar yaparken, temizlikten önce ve ürün kullanımda değilken daima pil takımını aletten çıkarın.

UYARI: EGO™ tarafından önerilmeyen parça veya aksesuarları kullanmayın. Önerilmeyen parça veya aksesuarların kullanılması ciddi kişisel yaralanmalara neden olabilir.

Her kullanımdan önce ürünü inceleyerek hasarlı, eksik veya vida, somun, civata, kapak vb. gevşek parça olup olmadığını kontrol edin. Tüm bağlantı parçalarını ve kapakları düzgünce sıkın, bu ürünü eksik veya hasarlı parçalar tamamlanmadan çalıştırmayın.

UYGULAMA

Bu ürünü, Ø 33mm'ye kadar çapa sahip dalları olan çitleri ve çalılıkları budamak için kullanabilirsiniz.

UYARI: Alet sadece belirtilen amaç için kullanılmalıdır. Herhangi diğer kullanım hatalı kullanım olarak kabul edilir.

PİL PAKETİNİN TAKILMASI/ÇIKARILMASI

İlk kullanımdan önce şarj edin.

Takmak için (Şek. B)

Pilin çıkıntılı ile montaj yuvalarını hizalayın ve "klik" sesi duyuncaya kadar pil paketini aşağıya bastırın.

Çıkarmak için (Şek. C)

Pil çıkarma düğmesine basın ve pil paketini çekip çıkarın.

UYARI: Pil çıkarma düğmesine basarken daima ayaklarınızın durduğu yere, çocuklara veya evcil hayvanlara dikkat edin. Pil paketi düşerse ciddi yaralanmaya neden olabilir. ASLA pil paketini yüksek bir yerden çıkarmayın.

ÇİT BUDAMA MAKİNESİNİ ÇALIŞTIRMA/ DURDURMA

Çalıştırmadan önce, bıçak korumasını çıkarın ve bir eliniz arka tutma sapında ve diğer eliniz ön tutma sapında olmak üzere budama makinesini iki elinizle tutun. Ardından, dengeli ve dik bir duruş ile doğru kesim mesafesi sağlayın.

⚠ UYARI: Çit budama makinesini tutmak için daimai elinizi kullanın. Asla bir elinizle çalıları tutarken diğer elinizle budama makinesini çalıştırmayın. Bu uyarının dikkate alınmaması ciddi yaralanmalara yol açabilir.

Başlatmak için

Avuç içinizle kilitleme tetiğine basın ve ardından arka anahtar koluna basın. Başlatmak için arka anahtar kolunu basılı tutarak, ön anahtar koluna basmaya devam edin.

Durdurmak için

Durdurmak için anahtar kollarından birini bırakın.

UYARI: Çit budama makinesini başlatmak için her iki anahtar koluna birden basılması gerekir.

ÇİT BUDAMA MAKİNESİNİN KULLANIMI

⚠ UYARI: Bıçağın elektrik kablosu veya hattına takılması/sıkışması durumunda BİÇAĞA DOKUNMAYIN! BİÇAĞ ELEKTRİKSEL OLARAK AKIM ALTINDA OLABİLİR VE ÇOK TEHLİKELİDİR. Çit budama makinesini yalıtımlı arka sapından tutmaya devam edin veya yere yatırın ve sizden uzak bir şekilde tutun. Bıçağı kablodan kurtarmaya çalışmadan önce hasarlı elektrik hattına giden elektrik beslemesini kesin. Bu uyarıya uyulmadığı takdirde, ciddi kişisel yaralanmalar veya ölüm tehlikesi söz konusudur.

⚠ UYARI: Ciddi kişisel yaralanmaları önlemek için ellerinizi bıçaklardan uzak tutun. Bıçaklar hareket halindeyken kesilen malzemeyi çıkarmayın veya kesilecek malzemeyi tutmayın. Sıkışan malzemeyi bıçaklardan çıkarırken bıçakların tamamen durmuş ve pil takımının çıkarılmış olduğundan emin olun. Makineyi havaya kaldırıken veya tutarken kesim bıçaklarından veya kesim kenarlarından kavramayın.

⚠ UYARI: Her kullanımdan önce kesilecek alanı temizleyin. Kesim bıçağına takılabilecek ve ciddi kişisel yaralanmalara yol açabilecek kablo, dal, tel veya sicim vb. tüm nesnelere temizleyin.

⚠ UYARI: Yoğun çalılık içine daldırarak bir defada çok fazla budama yapmaktan kaçının. Böyle yapılması bıçakları engelleyip yavaşlatarak kesim verimini düşürür.

UYARI: Yeni filizleri budarken geniş bir süpürme hareketi yaparak dalların doğrudan kesim bıçağına beslenmesini sağlayın. Daha yaşlı dallar daha kalın köklere sahiptir ve kesme hareketi ile daha kolay kesilecektir. Geniş dalları budamak için el testeresi veya budama testeresi önerilir.

Üstten Kesim

Geniş bir süpürme hareketi yaparak kullanın. Kesim bıçaklarının hareket yönünde hafif aşağıya eğilmesi en iyi kesim sonuçlarını sağlar. Daha iyi kesim etkisi için, Şek D'de gösterildiği gibi çit seviyesini yönlendirmek üzere bir ip kullanabilirsiniz.

Yandan Kesim

Çitin yanlarını budarken, Şek. E1 veya Şek. E2'de gösterildiği gibi alttan başlayarak yukarı doğru kesin.

Kökten Kesim

Çit budama makinesinin arka kolu, mandal çekilerekbeş konuma ($0^\circ/\pm 45^\circ/\pm 90^\circ$) ayarlanabilir (Şek. F1 ile Şek F5). Kökten kesim gerekiyorsa, kesimi yapmak için arka kolu $\pm 45^\circ$ (Şek. F2 ve F4) olarak ayarlayın.

⚠ UYARI: Kol ayarlanırken, kesim bıçağı çalışmıyor durumda olmalıdır.

UYARI: Çalışırken, çit budama makinesi hangi yöne bakıyor olursa olsun kol daima yukarı doğru bakmalıdır.

Uç Koruyucu

Uç koruyucu (Şek. G) bıçağın dış ucunu korumak için kullanılır.

Bıçak Koruması

Bıçakların dış kısmı bıçak koruması olarak biçimlendirilmiştir (Şek. H).

H-1	Bıçak
H-2	Bıçak Koruması

⚠ UYARI: Her zaman bıçak muhazasının hasarlı veya eğilmiş olup olmadığını kontrol edin. Bükülmüş veya hasarlı ise değiştirin.

BAKIM

⚠ UYARI: Bakım ve onarım sırasında birebir aynı yedek parçaları kullanın. Diğer parçaların kullanılması tehlike oluşturabilir veya ürünün hasar görmesine neden olabilir. Güvenliği ve güvenilirliği sağlamak için, tüm onarım işlemleri yetkili bir servis teknisyeni tarafından gerçekleştirilmelidir.

⚠ UYARI: Ciddi kişisel yaralanmaları önlemek için, temizlik veya bakım işlemi gerçekleştirirken daima pil paketini üründen çıkarın.

TEMİZLİK

- Yumuşak bir fırça kullanarak tüm hava girişlerindeki ve kesim bıçaklarındaki artıkları temizleyin.

- Zift ve diğer yapışkan artıkları çıkarmak için, bıçaklara reçineli solvent püskürtün. Motoru yavaşça çalıştırın, böylece solvent eşit olarak dağılmış olur.

- Yüzeyini kuru bir bezle temizleyin.

⚠ UYARI: Budama makinenizi temizlemek için asla su kullanmayın. Plastik parçaları temizlerken çözücü maddeler kullanmaktan kaçının. Çoğu plastik parça çeşitli tip ticari solventlerden zarar görebilir. Kir, toz, yağ, gres, vb. gidermek için temiz bez kullanın.

KESİM BİÇAĞININ BİLENMESİ

1. Pil paketini çit budama makinesinden çıkarın.
2. Bıçak düzeneğini bir mengeneyle kısıtın ve her bıçak dişinin görünür kesim yüzeyini eğileyin. Mümküncü kadar az malzeme sıyırın.
3. Çit budama makinesini mengeneden çıkarın ve görünür diğer taraftaki bilenmemiş bıçağı ayarlayın. Tüm bıçak dişleri bileninceye kadar yukarıdaki prosedürleri tekrarlayın.

UYARI: Çit budama makinenizi körelmiş veya hasarlı kesim bıçaklarıyla çalıştırmayın. Böyle yapılması aşırı yüklenmeye yol açarak başarısız kesim sonuçlarına neden olabilir.

BİÇAĞIN YAĞLANMASI

En doğru kullanım ve uzun bıçak ömrü için, her kullanımdan önce ve sonra çit budama makinesini ince makine yağı ile yağlayın.

Pil paketini çıkarın ve budama makinesini düz bir yüzeye yerleştirin. Üst bıçağın kenarı boyunca yağ uygulayın.

UYARI: Uzun süre kullanılacaksa, kesim işlemi sırasında bıçağı yağlayın.

⚠ UYARI: Çit budama makinesi çalışırken yağlama yapmayın.

DIŞLİ KUTUSUNUN YAĞLANMASI

En iyi çalışma ve daha uzun kullanım ömrü için, lütfen her 25 saatlik çalışmadan sonra özel bir gresle (her defasında yaklaşık 5-6g #1'de ve 10-12g #2'de) çit budama makinesinin dişli kutusunu yağlayın.

NOT: Lütfen yardım için ego servisiniz ile irtibat kurun.

Özel yağ aşağıdaki gereksinimleri sağlamalıdır:

1. DIN51818'e göre olmalıdır: NLGI-2 koni penetrasyon derecesine sahip olmalıdır.
2. Poliüre kıvam arttırıcılar + sentetik yağlardan oluşmalıdır.
3. Mükemmel düşük ısıda başlatma, EP, mekanik kesme, aşınma dayanımı, oksidatif stabilite özelliklerine sahip olmalıdır.

4. Çalışma sıcaklığı -40~180°C arasında olmalıdır.

TAŞIMA VE DEPOLAMA

- Çit budama makinesini depolamadan veya taşımadan önce daima bıçak korumasını bıçağa yerleştirin. Bıçağın keskin dişlerine karşı dikkatli olun.
- Çit budama makinesini saklamadan önce tamamen temizleyin.
- Çit budama makinesini çocukların ulaşamayacağı, kapalı ve kuru bir yerde saklayın.
- Bahçe kimyasalları ve eritici tuzlar gibi aşındırıcı maddelerden uzak tutun.

⚠ UYARI: Bıçaklar keskindir. Bıçak düzeneğine dokunurken kaymaz, ağır iş eldivenleri takın. Elinizi veya parmaklarınızı bıçakların arasına veya sıkışmalarına veya kesilmelerine neden olabilecekleri herhangi bir yere yerleştirmeyin. ASLA bıçaklara dokunmayın veya cihaza pil paketi takılı durumdayken bakım ve onarım yapmayın.

Çevre koruması



Elektrikli cihazları, pil şarj cihazını ve pilleri/şarj edilebilir pilleri evsel atıklarla birlikte atmayın!

AB Yasası 2012/19/EU uyarınca, kullanılamaz durumdaki elektrikli ve elektronik cihazlar ve AB Yasası 2006/66/EC uyarınca, arızalı veya kullanılmış pil paketleri/piller ayrı olarak toplanmalıdır.

Elektrikli cihazlar katı atık sahaları veya çöp toplama alanlarına atılırsa, yer altı sularına ve besin zincirine tehlikeli maddeler sızabilir, bu da sağlığınızı bozulmasına yol açabilir.

SORUN GİDERME

SORUN	NEDENİ	ÇÖZÜM
Çit budama makinesi çalışmıyor.	■ Pil paketi, çit budama makinesine takılı değil.	■ Pil paketini çit budama makinesine takın.
	■ Budama makinesi ile pil arasında elektrik teması yok.	■ Pili çıkarın, temas noktalarını kontrol edin ve pil paketini yeniden takın.
	■ Pil paketi boş.	■ Pil paketini şarj edin.
	■ Pil paketi çok sıcak.	■ Pil paketi veya testerenin 67°C'nin altına düşene kadar soğumasını bekleyin.
	■ Çit budama makinesi çok sıcak.	■ Her iki anahtar kolunu bırakın; Budama makinesinin 77°C'nin altına düşene kadar soğumasını bekleyin.
	■ İki anahtar koluna aynı anda basılmamış.	■ Ön ve arka tutma sapındaki anahtar kollarına aynı anda basın.
	■ Bıçak sıkışmış.	■ Pil paketini aletten çıkarın, sorunu dikkatli bir şekilde düzeltin, ardından pili yeniden takın ve aleti yeniden başlatın.
Aşırı titreşim veya gürültü.	■ Kuru veya paslı bıçaklar.	■ Bu kılavuzun. sayfasında yer alan "BIÇAĞIN YAĞLANMASI" bölümünü izleyerek bıçakları yağlayın.
	■ Bıçaklar veya bıçak desteği eğilmiş.	■ Yeni bir bıçakla veya destekle değiştirin. Bıçak veya destek değiştirme hizmeti için EGO servis merkeziyle irtibata geçin.
	■ Eğik veya hasarlı dişler.	■ Yeni bir bıçakla değiştirin. Bıçak değişimi için EGO servis merkeziyle irtibata geçin.
	■ Gevşek bıçak civataları.	■ Bıçak civatalarını sıkın. Bir İngiliz anahtar ile civatayı saat yönünde çevirerek sıkın.

TR**GARANTİ****EGO GARANTİ POLİTİKASI**

EGO Garanti politikasına ilişkin tüm hüküm ve koşullar için, lütfen egopowerplus.com adresindeki web sitemizi ziyaret edin.

LUGEGE KÕIKI JUHISEID!



LUGEGE JUHEND LÄBI JA PÜÜDKE SELLEST ARU SAADA

⚠ Kaasnev risk! Inimesed, kes kasutavad elektroonilisi seadmeid, nt südamestimulaatorit, peaksid enne selle toote kasutamist konsulteerima oma arstiga. Elektriseadmete kasutamine südamestimulaatori läheduses võib põhjustada südamestimulaatori häireid või rikkeid.

⚠ HOIATUS: Ohutuse ja töökindluse tagamiseks tohivad seda seadet remontida ainult vastava kvalifikatsiooniga hooldustehnikud.

OHUTUSSÜMBOLID

Ohutussümbolite eesmärk on tõmmata teie tähelepanu võimalikele ohtudele. Ohutussümbolitele ja nende juures olevatele seletustele tuleb korralikult tähelepanu pöörata ja need endale selgeks teha. Ohutussümbolid iseenesest ei kõrvalda ohu olemasolu.

Nendega kaasnevad juhendid ja hoiatused ei asenda korralikke õnnetuste vältimise meetmeid.

⚠ HOIATUS: Enne käesoleva seadme kasutamist lugege kindlasti läbi ja tehke endale selgeks kõik Kasutusjuhendis toodud ohutusjuhised, sh kõik ohutussümbolid nagu „OHT”, „HOIATUS”, ja „ETTEVAATUST”. Kui kõiki allpool loetletud juhiseid ei järgita, võib tagajärjeks olla elektrilöök, tulekahju ja/või tõsised isikuvigastused.

SÜMBOLITE TÄHENDUSED

TURVATEATE SÜMBOL Tähistusega OHT, HOIATUS, või ETTEVAATUST. Võidakse kasutada koos teiste sümbolite või piktograafidega.

⚠ HOIATUS: Mis tahes elektriliste tööriistade kasutamine võib põhjustada vöörkehade paiskumist silma, mis võib põhjustada tõsiseid silmakahjustusi. Kandke elektriliste tööriistade kasutamise ajal alati külgkaitsetega kaitseprille ja vajadusel täielikku näokaitset. Soovitame kanda prillide peal laia vaatealaga kaitsemaski või tavalisi külgkaitsetega kaitseprille.

OHUTUSJUHISED

Sel lehel on kujutatud ja kirjeldatud ohutusesümboliteid, mida võib käesolevalt tootelt leida. Enne, kui üritate masinat kokku panna ja kasutada, lugege, tehke omale selgeks ja järgige kõiki juhiseid.

	Ohutusteade	Viitab kehavigastuste ohule.
	Lugege kasutusjuhendit	Vigastuste ohu vähendamiseks peab kasutaja lugema kasutusjuhendit.
	Vältige seadme kokkupuudet vihmaga	HOIATUS: Ärge kasutage seadet vihmajärgel ja ärge jätke seadet vihma kätte.
	Tera pikkus	Tera pikkus
	Lõikevõimsus	Tera maksimaalne lõikamisjõudlus
V	volti	Pinge
A	ampri	Voolutugevus
Hz	hertsi	Sagedus (tsükli sekundis)
W	vatti	Võimsus
min	minutit	Aeg
	vahelduvvool	Voolu tüüp
	alalisvool	Voolu tüüp või omadus
n ₀	Tühikäigu kiirus	Tühikäigu pöörlemiskiirus
... /min	Minutis	Pööret minutis
SPM	Pööret minutis	Tühikäigukiirus

ÜLDISED MOTOORIGA TÖÖRIISTADE HOIATUSED

⚠ HOIATUS: Lugege läbi kõik turvalisusega seotud hoiatused ja juhised. Kui te ei arvesta allpool toodud hoiatusi ja juhiseid, võib tekkida elektrilöögi, tulekahju ja/või raske kehavigastuse oht.

Säilitage hoiatused ja juhised hilisemaks kasutuseks.

Hoiatustes kasutatud termin “mootoriga tööriist” viitab voolu jõul (juhtmega) töötavale mootoriga tööriistale või aku jõul töötavale (juhtmata) tööriistale.

TÖÖPIIRKONNA OHUTUS

- Tööpiirkond peab olema puhas ja hästi valgustatud. Segadus või valgustamata tööpiirkonnad suurendavad õnnetuste tõenäosust.

ET

- **Ärge kasutage mootoriga tööriistu plahvatusohtlikes keskkondades, näiteks kergesti süttivate vedelike, gaaside või tolmü läheduses.** Mootoriga tööriistad tekitavad sädemeid, mis võivad süüdata tolmü või aurustid.
- **Mootoriga tööriistadega töötamisel hoidke lapsed ja kõrvalseisjad eemal.** Tähelepanu hajumisel võite kaotada kontrolli seadme üle.

ELEKTRILINE OHUTUS

- **Elektrilised tööriistad tuleb ühendada sobivasse pistikupessa. Ärge kunagi muutke pistikut mitte mingil viisil. Ärge kasutage koos (maandatud) mootoriga tööriistadega pistikuadaptereid.** Muutmata pistikud ja sobivad pistikupesad vähendavad elektrilöögi ohtu.
- **Vältige kehalist kontakti maandatud pindadega (nt torud, radiaatorid, katted, külmikud).** Kui teie keha on maandatud, suureneb elektrilöögi oht.
- **Ärge jätke elektrilisi tööriistu vihma kätte ega niisketes tingimustes.** Vee sattumine elektrilise tööriista sisse suurendab elektrilöögi ohtu.
- **Ärge rikkuge juhet. Ärge kasutage juhet elektritööriista kandmiseks või tõmbamiseks ja ärge tõmmake juhtmest, kui soovite pistikut pistikupesast eemaldada.** Vältige juhtme kokkupuudet kuumade objektide, õli, teravate äärte või liikuvate osadega. Kahjustatud või puntras juhtmed suurendavad elektrilöögi ohtu.
- **Elektrilise tööriistaga välitingimustes töötamiseks kasutage välitingimustesse sobivat pikendusjuhet.** Välitingimustesse sobiva juhtme kasutamine vähendab elektrilöögi ohtu.
- **Kui peate kindlasti tööriista märjas kohas kasutama, kasutage seadet, mille toite tagab jääkvooluseade (RCD).** RCD kasutamine vähendab elektrilöögi ohtu.

ISIKLIK OHUTUS

- **Olge tähelepanelik, töötage hoolikalt ja kasutage tervet mõistust.** Ärge kasutage mootoriga tööriista, kui olete väsinud, või rohtude, alkoholi või narkootikumide mõju all. Vaid hetkeline tähelepanematus mootoriga tööriista kasutamisel võib põhjustada raskeid kehavigastusi.
- **Kasutage isikukaitsevahendeid. Kandke silmakaitsevahendeid.** Töötingimustele vastava kaitsevarustuse (nt tolmumaski, mittelibisevate turvakingade, tugeva peakatte või kuulmiskaitsete) kasutamine vähendab kehavigastuste ohtu.

- **Vältige soovimatut käivitumist. Veenduge, et lüliti on mitteaktiivses asendis enne kui ühendate vooluvõrgu või akuploki ning enne seadme kandmist või üles tõstmist.** Elektritööriistade kandmine sõrme lülilit hoides või aktiivses olekus lülitiga põhjustab õnnetusi.
- **Enne tööriista sisselülitamist eemaldage sellelt kohandusvõtmed ja multivõtmed.** Tööriista pöörleva osa külge unustatud tööriistad võivad põhjustada kehavigastusi.
- **Ärge küünitage liiga kaugele. Töötage ainult kindlal maapinnal ja kohtades, kus pole ohtu tasakaalu kaotada.** Nii säilitate tööriista üle ootamatutes olukordades parema kontrolli.
- **Riietuge asjakohaselt. Ärge kandke ehteid ega avaraid riideid. Vältige oma juuste, riiete ja kinnaste kokkupuudet liikuvate osadega.** Liiga avarad riided, ehted ja pikad juuksed võivad liikuvate osade vahele kinni jääda.
- **Kui tootega on kaasas vahendid tolmukogumis- ja väljavõtuseadmete ühendamiseks, veenduge, et need seadmed on korralikult ühendatud ja korrektses kasutuses.** Tolmukogumisseadmete kasutamine vähendab tolmuga seotud ohtusid.

AKUSEADMETE KASUTAMINE JA HOOLDUS

- **Ärge rakendage tööriista kasutamisel jõudu.** Kasutage konkreetseks tööks sobivat tööriista. Akuseade töötab paremini ja turvalisemalt, kui seda kasutada ettenähtud kiirusel.
- **Ärge kasutage tööriista, mida ei saa lülitist sisse ja välja lülitada.** Elektrilised tööriistad, mille lüliti ei tööta, on ohtlikud ja tuleb parandada.
- **Eemaldage juhe vooluvõrgust ja/või akuploki seadme küljest enne kui alustate seadme kohandamist, lisakomponentide lisamist või eemaldamist ja enne kui hakkate seadet hoiustama.** Need ohutusmeetmed vähendavad seadme tahtmatu käivitamise võimalust.
- **Tööriistu, mida te hetkel ei kasuta, hoidke lastele kättesaamatus kohas ning ärge lubage nendega töötada isikutel, kes pole tööriistade tööpõhimõtetelega või käesoleva juhendiga tutvunud.** Koolitamata isikute käes on elektrilised tööriistad ohtlikud.
- **Akuseadmete hooldamine** Veenduge, et liikuvad detailid on õiges asendis, terved ja niisuguses töökorras, mis tagab seadme ohutu kasutamise. Kahjustatud seade tuleb enne kasutamist parandada. Halvasti hooldatud tööriistad põhjustavad palju õnnetusi.

- **Hoidke oma tööriistu teravate ja puhasena.** Korralikult hooldatud ja teravate servadega lõikeääred ei paindu nii kergesti ja on lihtsamini juhitavad.
- **Kasutage tööriista, selle lisakomponente, tööriistaosi jm vastavalt käesolevale juhendile, võttes arvesse töötingimusi ja teostatavat tööd.** Tööriista mitte-eesmärgipärane kasutamine võib põhjustada ohtlikke olukordi.

AKUSEADMETE KASUTAMINE JA HOOLDUS

- **Kasutage laadimiseks ainult tootja poolt ette nähtud laadijaid.** Akulaadija, mis sobib teatud tüüpi akuplokile, võib põhjustada tulekahju ohtu, kui seda kasutada mõne teise akuplokiga.
- **Kasutage elektrilisi tööriistu ainult nende jaoks ette nähtud akuplokkidega.** Mõne muu akuploki kasutamine võib põhjustada vigastuste ja tulekahju ohtu.
- **Kui akut ei kasutata, hoidke seda eemal muudest metallesemetest nagu kirjaklambritest, müntidest, võtmetest, naeltest, kruvidest ja muudest väikestest metallesemetest, mis võivad klemmide vahel ühenduse luua.** Aku klemmide lühiühendus võib põhjustada põletushaavu ja tulekahju ohtu.
- **Valedes tingimustes kasutamisel võib akut vedelikku välja tulla; vältige kokkupuudet sellega.** Kokkupuute tekkimisel loputage veega. Kui vedelik satub silma, pöörduge lisaks ka arsti poole. Akust väljuv vedelik võib põhjustada ärritust või põletusi.

HOOLDUS

- **Laske oma akutööriista hooldada kvalifitseeritud remonditehnikul, kes kasutab ainult identseid originaalvaruosi.** See tagab akuploki ohutuse säilimise.

HEKITRIMMERI TURVAHOIATUSED

- **Vältige kehaosade kokkupuudet lõikuri teraga.** Ärge eemaldage lõigatud tükke ega hoidke lõigatavat objekti, kui terad liiguvad. Enne kinnijäänud tükide eemaldamist veenduge, et lüliti on mitteaktiivses asendis. Isegi hetkeline tähelepanematus hekitrimmeri kasutamise ajal, võib põhjustada tõsiseid vigastusi.
- **Hekitrimmerit käepidemest hoides teise kohta kandes peab lõikuri tera peatatud olema.** Hekitrimmeri transportimisel või hoiustamisel paigaldage lõikeseadmele alati kate. Hekitrimmeri korrektne käsitsemine vähendab lõiketerade tekitatavate vigastuste ohtu.

- **Hoidke tööriista ainult isoleeritud kinnihoidmiskohtadest, sest lõiketera võib puutuda kokku peidetud juhtmetega.** Kui lõiketerad puutuvad kokku voolu all olevate juhtmetega, võib elekter levida tööriista katmata metallosadele ja anda kasutajale elektrilöögi.
- **Vältige juhtmete sattumist lõiketerade tööpiirkonda.** Töö ajal võib juhe olla põosaokste varjus ning te võite selle kogemata maha lõigata.
- **Enne töö alustamist veenduge, et hekis pole võõrkehi (nt võrkaia tükke).**
- **Kasutage ainult hekitrimmerit, mille turvakate on korrektselt paigaldatud.** Ilma korrektselt paigaldatud turvakatteta trimmeri kasutamine võib põhjustada raskeid vigastusi!
- **Hekitrimmeriga töötades kasutage mõlemat kätt! Ainult ühe käe kasutamisel võite kaotada seadme üle kontrolli ja saada raskeid vigastusi.**

⚠ HOIATUS: Enne töö alustamist veenduge, et hekis pole võõrkehi (nt võrkaia tükke). Kasutage ainult hekitrimmerit, mille turvakate on korrektselt paigaldatud. Ilma korrektselt paigaldatud turvakatteta trimmeri kasutamine võib põhjustada raskeid vigastusi!

OLULISED OHUTUSJUHISED

- **Ärge kasutage aku jõul töötavat hekitrimmerit vihma käes.**
- **Ärge laadige akuplokki niisketes ega märgades tingimustes.**
- **Kasutage ainult joonisel A esitatud akuplokke ja laadijaid.**
- **Hekitrimmerit kandes või kätte võttes ärge hoidke kinni lõiketeradest.**
- **Ärge kasutage seadet seistes redelil, katusel, puu otsas või muudes ebaturvalistes kohtades.** Stabiilne jalgealus kindlal maapinnal tagab ootamatutes olukordades parema kontrolli hekitrimmeri üle.
- **Ärge lubage lastel hekitrimmeriga töötada.**
- **Ärge kunagi eemaldage ega rikkuge turvaseadmeid.** Kontrollige regulaarselt nende korrasolekut. Ärge kunagi tehke midagi, mis võiks segada turvaseadme funktsioneerimist või vähendada turvaseadme pakutatavat kaitset.

- Ärge kasutage hekitrimmerit ilma vajalike kaitsekateeta, plaatideta või muu vajaliku turvavarustusega.
- Enne töö jätkamist kontrollige kahjustatud osade seisukorda. Kahjustatud piiret või muud detaili tuleb hoolikalt kontrollida, et veenduda, et detail toimib korrektselt ja täidab oma funktsiooni. Kontrollige, kas liikuvad komponendid on korrektselt joondatud ja ega ükski osa paindunud pole ning jälgige ka muid aspekte, mis võiksid seadme omadusi mõjutada. Kahjustatud kate või muu kahjustatud detail tuleks korrektselt parandada või asendada ametlikus hoolduskeskuses, välja arvatud juhul, kui selles juhendis pole öeldud teisiti.
- Kontrollige tihti, kas tera ja mootori paigalduspoldid on piisavalt tugevalt kinni. Samuti kontrollige visuaalselt, kas tera on kahjustusteta (paindumata ning mõradeta ja kulumistunnusteta) Vahetage lõiketera ainult EGO™ toodetud tera vastu.
- Paindunud või möränenud tera tuleb välja vahetada. Tasakaalustamata tera põhjustab vibratsiooni, mis võib kahjustada mootori ajamit või põhjustada kehavigastusi.
- Kui seade peaks ebanormaalselt vibreerima hakkama, peatage mootor ja otsige koheselt vibreerimise põhjust. Vibratsioon hoiatab tavaliselt ohu eest.
- Trimmeriga tohib lõigata tüvesid, mille paksus on väiksem kui 33 mm.
- Kasutage trimmerit ainult päeval ajal või hea kunstliku valgustusega.
- Enne hekitrimmeri hooldamist, puhastamist või võõrkehade eemaldamist ühendage akuplokk lahti ja võtke niiduki küljest ära.
- Ärge puhastage trimmerit voolikuga, vältige vee sattumist mootorisse ja elektrühenduste peale.
- Remontimisel kasutage vaid käesolevas juhendis loetletud originaalvaruosi. Algele tootespetsifikatsioonile mittevastavate varuosade kasutamine võib põhjustada häireid seadme töös ja puudujääke ohutuses.
- Järgige määrimise ja komponentide vahetamise juhiseid.
- Hoidke käepidemed kuivana, puhtana ja vältige õli ja rasva sattumist seadmele.
- Hoidke see kasutusjuhend alles. Lugege seda sageli ning kasutage seda, et seadet sageli kasutavaid isikuid välja õpetada. Kui te seadet kellelegi laenate, andke sellega kaasa ka käesolev kasutusjuhend, et vältida seadme väärkasutamist ja võimalikke vigastusi.

HOIDKE SEE KASUTUSJUHEK ALLES!

SPETSIFIKATSIOONID

Mudeli number	HT5100E	HT6500E
Pinge	56 V ---	56 V ---
Tühikäigu kiirus	Kõrge	1600 /min
	Madal	1400 /min
Soovitatud töötemperatuur:	0 °C kuni 40 °C	
Soovitatud temperatuur ladustamisel:	-20 °C kuni 70 °C	
Tera pikkus	51 cm	65 cm
Lõikevõimsus	33 mm	33 mm
Mass (ilma akuplokita)	3,6 kg	3,8 kg
Möödetud helirõhu tase L_{WA}	90 dB(A) K=1,55 dB(A)	91,45 dB(A) K=1,08 dB(A)
Helirõhk seadme tööasendis L_{PA} K=2,5 dB(A)	81,5 dB(A)	81,4 dB(A)
Garanteeritud helirõhk L_{WA} (möödetud vastavalt 2000/14/EN)	92 dB(A)	93 dB(A)
Vibratsioon a_h K=1,5 m/s ²	Eesmine käepide	3,369 m/s ²
	Tagumine käepide	5,313 m/s ²
		1,876 m/s ²
		3,115 m/s ²

- Ametlik vibratsioonitaseme näit on möödetud standardsete testmeetodite kohaselt ja seda võidakse kasutada erinevate tööriistade võrdlemiseks.
- Ametlikku vibratsioonitaseme näitu võib kasutada ka alge kokkupuutehinnangu andmiseks.

MÄRKUS: Tegelikul kasutamisel tekkinud vibratsioonitase või ametlikult märgitud erineb; turvalisuse eesmärgil peaks seadme kasutaja kandma kindaid ja kuulmiskaitseid.

PAKENDI LOEND

OSA NIMI	KOGUS
Hekitrimer	1
Kaitse	1
Kasutusjuhend	1

KIRJELDUS

TUNNE OMA TRIMMERIT (joon. A)

1. Aku vastustusnupp
2. Tagumine käepide
3. Lukustuspäästik
4. Tagumise lüliti hoob
5. Kiiruse reguleerimise nupp
6. Eesmine käepide
7. Eesmise lüliti hoob
8. Käekaitse
9. Terakaitse
10. era
11. Otsakaitse
12. Riiv
13. Elektrikontaktid
14. Paigalduspesa
15. Väljutusmehhanism
16. Käepideme lukk
17. Mootori korpus
18. Kaitse

⚠ HOIATUS! See toode on tarnitud täielikult kokku pandult. Käekaitset ei tohi kasutamise ajal kunagi eemaldada. Kui see on kahjustatud, laske kvalifitseeritud hooldustehnikul see kohe välja vahetada.

⚠ HOIATUS: Selle seadme ohutuks kasutamiseks tuleb tootele nii tootele kantud kui ka käesolevas juhendis sisalduvast teabest aru saada ning mõista ka teostatava töö aluseid. Enne toote kasutamist tutvuge selle funktsioonidega ja ohutusreeglitega.

KASUTAMINE

⚠ HOIATUS: Ärge muutuge toodet tundma õppides hooletuks. Pidage meeles, et raskeid vigastusi põhjustavaks õnnetuseks piisab ka sekundi murdosa pikkusest tähelepanematusesest.

⚠ HOIATUS: Kasutage alati küljekaitsetega silmakaitseid ja kuulmiskaitseid. Vastasel korral võib teile midagi silma lennata ja võite saada ka muud laadi raskeid vigastusi.

⚠ HOIATUS: Tahtmatu käivitamise vältimiseks eemaldage seadme kokkupanemise, kohandamise, puhastamise või mitte kasutamise ajaks alati aku.

⚠ HOIATUS: Ärge kasutage lisaseadmeid või -tarvikuid, mida EGO™ pole soovitanud. Mittesoovituslike lisaseadmete või -tarvikute kasutamine võib põhjustada raskeid kehavigastusi.

Enne igakordset kasutamist kontrollige, et seadmel poleks kahjustatud, puuduvaid ega lahtiseid detaile, kruvisid, mutreid, polte jm. Tugevdage kõik kinnitused ja ärge kasutage seadet kuni kõik puuduvaid või kahjustatud osad on asendatud.

RAKENDUSO

Seda toodet võib kasutada niisuguuste hekkide, pöösaste ja pöösastike pügamiseks, mille okste diameeter on väiksem kui Ø33 mm.

MÄRKUS: Seadet tohib kasutada vaid käesolevas juhendis lubatud eesmärgil. Igasugust muud kasutust loetakse väärkasutuseks.

AKUPLOKI PAIGALDAMINE/EEMALDAMINE

Laadige enne esimest kasutamist.

Paigaldamiseks (joon. B)

Joondage aku ribad paigaldussoontega ja suruge akuplokki alla kuni kuulete klõpsatust.

Eemaldamine (joon. C)

Vajutage akuvastustusnuppu ja tõmmake akuplokk välja.

⚠ HOIATUS: Akuvastustusnuppu vajutades jälgige alati oma jalgade ning läheduses viibivate laste ja loomade asukohaga. Akuploki kukkumine võib põhjustada raskeid vigastusi. Akuplokki ei tohi eemaldada kõrges kohas töötades.

HEKITRIMMERI KÄIVITAMINE/SEISKAMINE

Enne töö alustamist eemaldage tera kate ja hoidke trimmerit kahe käega, üks käsi eesmisel ja teine tagumisel käepidemel. Seejärel veenduge, et teie jalgealune on kindel, seisate sirgelt ja löikekaugus sobiv.

⚠ HOIATUS: Hoidke hekitrimmerit alati kahe käega. Ärge hoidke kunagi ühe käega lõigatavat pöösast ja teisega trimmerit. Selle nõude eiramine võib põhjustada kehavigastusi.

Käivitamine

Suruge lukustuspäästik peopesaga alla ning lükake tagumise lüliti hoob üles. Kui tagumise lüliti hoob on alla vajutatud, jätkake käivitamiseks eesmise lüliti hoova vajutamist.

Peatamine:

Peatamiseks laske üks kahest lüliti hoovast lahti.

MÄRKUS: Trimmeri käivitamiseks peavad mõlemad hoovad olema alla vajutatud.

HEKITRIMMERI KASUTAMINE

⚠ HOIATUS: Kui tera vahele jääb elektrijuhe või -traat, ÄRGE PUUDUTAGE TERA! TERA VÕIB OLLA VOOLU ALL JA VÄGA OHTLIK. Hoidke trimmerit endiselt isoleeritud käepidemest või pange maha ja nihutage ettevaatlikult endast eemale. Enne kui üritate juheta või traati tera ümber ära võtta, lülitage elekter välja. Selle nõude eiramine võib põhjustada raskeid või surmavaid vigastusi.

⚠ HOIATUS: Raskete vigastuste vältimiseks ärge pange käsi terade lähedele. Ärge üritage eemaldada lõigatud tükke ega hoida lõigatavat objekti, kui terad liiguvad. Enne kui hakkate terade ümber kinni jäänud tükke eemaldama, veenduge, et terad on lõplikult seisunud ja akuplokk on eemaldatud. Seadet kandes või kätte võttes ärge hoidke kinni lõiketeradest.

⚠ HOIATUS: Enne töö alustamist puhastage tööpiirkond võõrkehadest. Eemaldage kõik üleliigsed objektid, mis võivad lõiketerade vahele kinni jääda ja raskeid vigastusi põhjustada (nt juhtmed, lambid, traadid, nõõrid jm).

⚠ HOIATUS: Ärge üritage korraka väga suurt tükki lõigata ega läbi tiheda põõsastiku liikuda. Nii võite terasid painutada või aeglustada ja vähendada lõikeprotsessi tõhusust.

MÄRKUS: Noorte taimede puhul on soovitatav kasutada otse lõiketera suunas kasvavate tüvede lõikamisel laia haaret. Vanemate taimete puhul on paksemate tüvede lõikamiseks hea kasutada saagimisliigutust. Jämedate tüvede lõikamiseks on soovitatav kasutada esmalt käsisaagi või laasimissaagi.

Tipu lõikamine

Rakendage laia pühkimisliigutust. Parima lõiketulemuse saate, kui kallutate lõiketera veidi liikumissuunas. Suurema efektiivsuse saavutamiseks võite kasutada ka soovitud heki kõrgust tähistavat nõõri, nagu on näidatud joonisel D.

Külgede lõikamine

Heki külgede pügamisel alustage altpoolt ja liikuge üles, nagu on näidatud joonisel E1 ja E2.

Radikaalne lõikamine

Hekilõikuri tagumise käepideme saab seadistada viide erinevasse asendisse ($0^\circ/\pm 45^\circ/\pm 90^\circ$), tõmmates välja sulguri (joonis F1 kuni F5). Kui vajalik on radikaalne lõige, seadistage tagumine käepide lõikamiseks $\pm 45^\circ$ peale (joonis F2 & F4).

⚠ HOIATUS! Kui reguleerite käepidet, ei tohi lõiketera töötada.

TÄHELEPANU! Töötamisel peab käepide olema alati suunaga ülespoole, hoolimata sellest, mis suunas on hekilõikur.

Otsakaitse

Otsakaitse (joonis G) on vajalik tera välismise otsa kaitsmiseks.

Terakaitse

Terade välimine osa on kujundatud terakaitseteks (joonis H).

H-1	Tera
H-2	Terakaitse

⚠ HOIATUS! Veenduge alati, et terakaitse pole kahjustatud ega moonunud. Vahetage see välja, kui see on paindunud või kahjustunud.

HOOLDUS

⚠ HOIATUS: Remontimisel kasutage vaid originaalvaruosi. Mis tahes muude osade kasutamine võib põhjustada ohtlikke olukordi või seadet vigastada. Ohutuse ja töökindluse tagamiseks tohivad seda seadet remontida ainult vastava kvalifikatsiooniga hooldustehnikud.

⚠ HOIATUS: Raskete kehavigastuste vältimiseks tuleb seadme puhastamise või hooldamise ajaks alati akuplokk eemaldada.

PUHASTAMINE

- Öhu sissevõtuavadelt ja lõiketeralt mustuse eemaldamiseks kasutage pehmet harja.
- Vaigu ja muude kleepuvate ainete eemaldamiseks pihustage terale vaigu lahustit. Käivitage mootor hetkeks, et lahusti ühtlaselt laiali laotuks
- Pühkige seadme pind kuiva lapiga puhtaks.

⚠ HOIATUS: Ärge kunagi puhastage trimmerit veega. Vältige plastosade kasutamisel lahustite kasutamist. Enamik plastmasse lagunevad kaubanduslike lahustite toimel kergesti. Kasutage mustuse, tolmu, õli, määrete jms eemaldamiseks puhtaid riidest lappe.

LÕIKETERA TERITAMINE

1. Eemaldage akuplokk hekitrimmeri küljest.
2. Kinnitage tera pihvide vahele ja viilige kõigi tera hammaste välimised lõikepinnad. Eemaldage nii vähe materjali kui võimalik.
3. Eemaldage hekitrimmer pihvide vahelt ja pöörake teritamata tera nähtavale. Korrake ülalkirjeldatud toiminguid, kuni kõik terad on teritatud.

MÄRKUS: Ärge kasutage hekitrimmerit, mille lõiketerad on nürid või kahjustatud. See võib põhjustada ülekoormust ja mitterahuldavaid töötulemusi.

TERA MÄÄRIMINE

Parimate tulemust ja tera pika tööea tagamiseks määrige hekitrimmeri tera kerge masinaõliga enne ja pärast iga kasutuskorda.

Eemaldage akuplokk ja asetage trimmer siledale pinnale. Kandke õli ülemise tera servale.

MÄRKUS: Pikemate tööde puhul õlitage tera ka töö käigus.

⚠ HOIATUS: Ärge õlitage tera ajal, mil trimmer töötab.

KÄIGUKASTI MÄÄRIMINE

Parimate töötulemuste saavutamiseks ja hekitrimmeri eluea pikendamiseks määrige selle käigukasti erimäärdega (iga kord 5-6 g #1 korral ja 10-12 g #2 korral) iga 25 töötunni järel.

MÄRKUS! Abi saamiseks pöörduge palun kohaliku ego edasimüüja poole.

Erimääre peab vastama järgnevatele tingimustele.

1. Kuulub DIN51818: NLGI-2 koonuspenetratsiooni klassi.
2. Määre peab koosnema paksendina kasutatavast polüüureast ja sünteetilisest määrdõlist.
3. Suurepärase käivitus madalal temperatuuril, vastupidavus ekstreemsetele rõhkudele ja mehaanilisele hõõrdumisele, kulumiskindlus ning oksüdatiivne stabiilsus.
4. Töötemperatuuri vahemik -40~180°C.

TRANSPORTIMINE JA HOIUSTAMINE

- Enne hekitrimmeri hoiustamist või transportimist paigaldage alati terale kate. Olge ettevaatlikud ja vältige tera teravaid hambaid.
- Enne hoiustamist puhastage hekitrimmer hoolikalt.
- Hoidke hekitrimmerit sisetingimustes, kuivas ja lastele kättesaamatus kohas.
- Hoidke trimmerit eemal korrodeerivatest ainetest (nt aiakemikaalid ja jääsulatussoolad).

⚠ HOIATUS: Terad on teravad. Terade käsitlemisel kandke tugevast mittelõigevast materjalist töökindaid. Ärge asetage oma käsi ega sõrmi terade vahele või muusse kohta, kus on oht, et need võivad kinni jääda või võidakse maha lõigata. Enne kui terasid puudutate või hooldate, tuleb ALATI akuplokk eemaldada.

Keskonnakaitse



Ärge visake elektriseadmeid, akulaadijat ega patareisid / akusid olmeprügi hulka!

Vastavalt Euroopa Liidu eriaruandele nr 19/2012/EÜ tuleb elektri- ja elektroonikaseadmed, mis pole enam kasutatavad, ning, vastavalt direktiivile 2006/66/EÜ, ka defektsed või kasutatud akuplokid / patareisid, eraldi kokku koguda.

Kui elektriseadmed maetakse maa sisse või viiakse prügimäele, võivad ohtlikud ained põhjavekke lekkida ja toiduahelasse sattuda ning kahjustada teie tervist ja heaolu.

TÕRKEOTSING

PROBLEEM	PÕHJUS	LAHENDUS
Hekitrimmer ei tööta	<ul style="list-style-type: none"> ■ Akuplokk pole trimmeriga ühendatud. 	<ul style="list-style-type: none"> ■ Kinnitage akuplokk hekitrimmeri külge.
	<ul style="list-style-type: none"> ■ Trimmeri ja aku vahel puudub elektriline ühendus. 	<ul style="list-style-type: none"> ■ Eemaldage aku, kontrollige ühendusi ja paigaldage akuplokk tagasi.
	<ul style="list-style-type: none"> ■ Akuplokk on tühi. 	<ul style="list-style-type: none"> ■ Laadige akuplokk.
	<ul style="list-style-type: none"> ■ Akuplokk on liiga kuum. 	<ul style="list-style-type: none"> ■ Eemaldage akuplokk seadme küljest ja laske sellel jahtuda, kuni temperatuur langeb alla 67°C.
	<ul style="list-style-type: none"> ■ Hekitrimmer on liiga kuum. 	<ul style="list-style-type: none"> ■ Laske mõlemad lüliti hoovad lahti ja laske trimmeril jahtuda kuni seadme temperatuur langeb alla 77°C.
	<ul style="list-style-type: none"> ■ Mõlemad lüliti hoovad pole alla vajutatud. 	<ul style="list-style-type: none"> ■ Vajutage eesmise ja tagumise käepideme lüliti hoovad üheaegselt alla.
	<ul style="list-style-type: none"> ■ Tera on kinni jäänud. 	<ul style="list-style-type: none"> ■ Eemaldage akuplokk tööriista küljest, eemaldage ettevaatlikult tööd takistav objekt ja seejärel paigaldage aku tagasi ning käivitage tööriist uuesti.
Liigne vibratsioon või müra	<ul style="list-style-type: none"> ■ Kuivad või korrodeerunud terad. 	<ul style="list-style-type: none"> ■ Määrige teri, järgides käesoleva juhendi alapunktis "TERA MÄÄRIMINE" antud juhiseid.
	<ul style="list-style-type: none"> ■ Tera või tera tugi on paindunud. 	<ul style="list-style-type: none"> ■ Vahetage tera või tugi. Terade või tugede vahetamiseks võtke ühendust EGO hoolduskeskusega.
	<ul style="list-style-type: none"> ■ Paindunud või kahjustunud löikehambad. 	<ul style="list-style-type: none"> ■ Vahetage seadme tera. Terade vahetamiseks võtke ühendust EGO hoolduskeskusega.
	<ul style="list-style-type: none"> ■ Lahtised tera poldid. 	<ul style="list-style-type: none"> ■ Keerake tera poldid tugevamalt kinni. Kiinitamiseks keerake polte mutrivõtmega päripäeva.

ET

GARANTII

EGA GARANTIIPÕHIMÕTTED

Täielikud EGO garantiitingimused leiate veebilehelt egopowerplus.com.

ПРОЧИТАЙТЕ ВСІ ІНСТРУКЦІЇ



ОЗНАЙОМТЕСЯ З ІНСТРУКЦІЄЮ

⚠ Залишковий ризик! Люди з електронними пристроями, наприклад кардіостимуляторами, повинні проконсультуватися зі своїм лікарем (лікарями) перед використанням цього виробу. Експлуатація електрообладнання в безпосередній близькості від кардіостимулятора може спричинити перешкоди або несправність кардіостимулятора.

⚠ ПОПЕРЕДЖЕННЯ. Для гарантування безпеки та надійності всі роботи з ремонту та заміни повинен проводити кваліфікований технічний спеціаліст.

СИМВОЛИ, ЩО СТОСУЮТЬСЯ БЕЗПЕКИ

Мета символів, пов'язаних із безпекою, – привернути вашу увагу до можливих небезпек. Символи безпеки та їхнє пояснення заслуговують на вашу пильну увагу та розуміння. Символи попереджень самі по собі не усувають будь-якої небезпеки.

Інструкції та попередження, які вони надають, не замінюють належних заходів щодо запобігання аваріям.

ПОПЕРЕДЖЕННЯ. Перш ніж користуватися цим інструментом, обов'язково ознайомтеся з усіма інструкціями з безпеки, наведеними в цьому посібнику користувача, зокрема з усіма символами попереджень, такими як «**НЕБЕЗПЕКА**», «**ПОПЕРЕДЖЕННЯ**» та «**ЗАСТЕРЕЖЕННЯ**». Недотримання наведених нижче вказівок може спричинити ураження електричним струмом, пожежу та/або серйозні травми.

ЗНАЧЕННЯ СИМВОЛУ

СИМВОЛ ПОПЕРЕДЖЕННЯ ЩОДО БЕЗПЕКИ:

Вказує на **НЕБЕЗПЕКУ, ПОПЕРЕДЖЕННЯ АБО ЗАСТЕРЕЖЕННЯ**. Може використовуватися разом з іншими символами або піктограмами.

⚠ ПОПЕРЕДЖЕННЯ. Використання будь-яких електроінструментів може призвести до потраплення сторонніх предметів в очі, що може спричинити серйозне пошкодження очей. Перед початком експлуатації електроінструмента завжди надягайте закриті захисні окуляри або відкриті захисні окуляри з бічними щитами та, якщо потрібно, повнопрофільну захисну маску. Ми рекомендуємо захисну маску

широкого розміру для використання поверх окулярів або стандартні відкриті захисні окуляри з бічними щитами.

ВКАЗІВКИ З ТЕХНІКИ БЕЗПЕКИ

На цій сторінці зображено та описано символи, пов'язані з безпекою, які можуть відобразитися на цьому виробі. Перш ніж намагатися зібрати та експлуатувати його, ознайомтеся з усіма інструкціями на машині та дотримуйтесь їх.

	Попередження щодо безпеки	Вказує на потенційну небезпеку травмування.
	Прочитайте посібник користувача	З метою зменшення ризику отримання травм користувач повинен прочитати посібник з експлуатації.
	Не залишайте під дощем	ПОПЕРЕДЖЕННЯ. Не використовуйте цей пристрій у дощ і не залишайте його в дощ надворі.
	Довжина леза	Довжина леза
	Різальна здатність	Макс. різальна здатність леза
V	Вольти	Напруга
A	Амперы	Струм
Hz	Герци	Частота (число циклів за секунду)
W	Вати	Потужність
min	Хвилини	Час
	Змінний струм	Тип струму
	Постійний струм	Тип або характеристика струму
n_0	Швидкість холостого ходу	Обертowa швидкість без навантаження
... /min	На хвилину	Обертів на хвилину
SPM	Ходів на хвилину	Швидкість ходу без навантаження

UK

ЗАГАЛЬНІ ПОПЕРЕДЖЕННЯ ЩОДО ТЕХНІКИ БЕЗПЕКИ РОБОТИ З ЕЛЕКТРОІНСТРУМЕНТАМИ

ПОПЕРЕДЖЕННЯ. Ознайомтеся з усіма попередженнями щодо техніки безпеки.

Недотримання вказівок та правил може спричинити ураження електричним струмом, пожежу та/або серйозні травми.

Зберігайте всі застереження та інструкції для подальшого використання.

Термін «електроінструмент» у попередженнях стосується електричного інструмента, що працює від електромережі (через шнур) або від акумулятора (без шнура).

БЕЗПЕКА В РОБОЧІЙ ЗОНІ

- **Робоче місце має бути чистим і гарно освітленим.** Неприбрана або погано освітлена робоча зона може стати причиною нещасного випадку.
- **Не працюйте з інструментом у вибухонебезпечному середовищі, наприклад за наявності легкозаймистих рідин, газів або пилу.** Під час роботи електроприладу утворюються іскри, від яких можуть зайнятися пил або випари.
- **Дітям і спостерігачам заборонено перебувати поруч з електроінструментом, що працює.** Це може відволікати вас і призвести до втрати контролю.

ЕЛЕКТРИЧНА БЕЗПЕКА

- **Штепсельні вилки електроінструмента мають підходити до розеток.** Заборонено модифікувати вилку будь-яким чином. **Не використовуйте жодні перехідники для роботи із заземленими електроінструментами.** Використання штепселів і розеток, у які не вносилися зміни, зменшує ризик ураження електричним струмом.
- **Уникайте контакту частин тіла із заземленими поверхнями, такими як труби, батареї, плити й холодильники.** У разі заземлення тіла збільшується ризик ураження електричним струмом.
- **Бережіть електроінструмент від дощу та вологи.** Вода, що потрапила в електроінструмент, підвищує ризик ураження електричним струмом.

- **Не використовуйте шнур із порушенням норм експлуатації.** Не використовуйте шнур живлення для перенесення чи перетягування інструмента та виймання вилки з розетки. Шнур потрібно оберігати від дії тепла, від гострих кутів та рухомих частин. Пошкоджені або заплутані шнури живлення підвищують ризик ураження електричним струмом.
- **Під час роботи з електроінструментом надворі використовуйте подовжувач, призначений для зовнішніх робіт.** Використання шнура, призначеного для зовнішніх робіт, зменшує ризик ураження електричним струмом.
- **Якщо роботи з електроінструментом у вологому середовищі не уникнути, скористайтеся пристроєм захисного вимкнення (ПЗВ).** Використання ПЗВ зменшує ризик ураження електричним струмом.

ІНДИВІДУАЛЬНА ТЕХНІКА БЕЗПЕКИ

- **Під час роботи з електроінструментом будьте уважним, слідуйте за своїми діями та мисліть розсудливо.** Не працюйте з електроінструментом, якщо ви втомлені або перебуваєте під дією наркотичних речовин, алкоголю або ліків. Навіть миттєва неуважність під час роботи з електроінструментом може призвести до важкої травми.
- **Використовуйте засоби особистого захисту.** Завжди носіть засоби захисту очей. Використання у відповідних умовах таких захисних засобів як протипиловий респіратор, неслизьке захисне взуття, шолом-каска і навушники допоможе зменшити ризик травмування.
- **Уникайте випадкового запуску.** Перш ніж підключати електроінструмент до мережі живлення чи акумулятора, брати чи переносити його, перевірте, чи встановлено перемикач у положення «вимкнено». Якщо переносити електроінструмент, тримаючи палець на перемикачі живлення, або підключати його до джерела живлення, коли перемикач живлення перебуває в положенні «увімкнено», це може призвести до травмування.
- **Перш ніж вмикати електроінструмент, слід зняти всі регульовальні клини або гайкові ключі.** Якщо залишити такий ключ на рухомій частині електроінструмента, це може призвести до травмування.
- **Не дотягуйтеся.** Завжди міцно стійте на ногах і втримуйте рівновагу. Це дає змогу краще керувати електроінструментом у разі виникнення непередбачуваних ситуацій.

- **Одягайтеся належним чином. Не носіть вільного одягу або прикрас. Стежте за тим, щоб волосся, одяг та рукавиці не потрапили на рухомі частини.** Вільний одяг, прикраси або довге волосся можуть потрапити в рухомі частини.
- **Якщо пристрої обладнано системою видалення пилу, переконайтеся, що її правильно підключено і що ви використовуєте її належним чином.** Використання пристрою для збирання пилу може зменшити безпеку, пов'язану з пилом.

ВИКОРИСТАННЯ ТА ДОГЛЯД ЗА ЕЛЕКТРОІНСТРУМЕНТОМ

- **Не застосовуйте силу до електроінструмента. Використовуйте належний електроінструмент відповідно до потреби.** Правильно підібраний електроінструмент допоможе краще і безпечніше зробити роботу з швидкістю, яка для нього передбачена.
- **Не використовуйте електроінструмент, якщо перемикач не вмикає або не вимикає його.** Усі електроінструменти, якими неможливо керувати за допомогою перемикача, становлять небезпеку й підлягають ремонту.
- **Перш ніж проводити будь-які налаштування, замінювати приладдя, а також перед зберіганням вийміть штепсель із розетки або акумулятор з інструмента.** Такі запобіжні заходи техніки безпеки зменшують ризик випадкового запуску електроінструмента.
- **Тримайте інструмент, що не використовується, подалі від дітей і не дозволяйте особам, які не мають досвіду роботи з такими інструментами або не знайомі з цими інструкціями, користуватись електроінструментом.** Електроінструменти становлять небезпеку в руках недосвідчених користувачів.
- **Виконуйте належне технічне обслуговування електроінструментів.** Перевіряйте їх на предмет розладнання чи блокування рухомих частин, а також будь-яких обставин, які можуть вплинути на роботу інструмента. У разі пошкодження електроінструмент слід здати в ремонт, перш ніж користуватися ним. Часто нещасні випадки трапляються внаслідок неналежного технічного обслуговування електроінструментів.
- **Тримайте ріжучі інструменти гострими й чистими.** Належним чином доглянуті ріжучі інструменти з гострими ріжучими краями рідше блокуються, такими електроінструментами легше керувати;

- **Користуйтеся електроінструментом, аксесуарами, насадками і т. п. для інструмента згідно з цією інструкцією, зважаючи на робочі умови та роботу, яку слід виконати.** Використання електроінструмента всупереч призначенню може стати причиною виникнення небезпечних ситуацій.

КОРИСТУВАННЯ І ДОГЛЯД ЗА АКУМУЛЯТОРНИМ ІНСТРУМЕНТОМ

- **Заряджайте лише за допомогою зарядного пристрою, указанного виробником.** Зарядний пристрій, який підходить для акумуляторів одного виду, може викликати ризик пожежі у випадку його використання з іншим акумулятором.
- **З електроінструментами слід використовувати лише призначені для них акумуляторні батареї.** Використання будь-яких інших акумуляторних батарей може призвести до травми або пожежі.
- **Коли батарея не використовується, її слід тримати окремо від металевих предметів, наприклад затискачів для паперу, монет, ключів, цвяхів, шурупів та інших дрібних предметів, які можуть замкнути клеми.** Коротке замикання клем акумулятора може стати причиною опіків чи пожежі.
- **У надто важких умовах експлуатації з акумулятора може витікати рідина; не доторкайтесь до неї.** Якщо випадково ви все ж торкнулися її, слід промити це місце водою. Якщо рідина потрапила в очі, слід також звернутися до лікаря. Рідина, яка виступає з акумулятора, може спричинити подразнення або опіки.

СЕРВІС

- **Обслуговування електроінструмента повинен виконувати кваліфікований ремонтник із використанням лише ідентичних запасних частин.** Це забезпечить нормальну роботу електроінструмента.

ПОПЕРЕДЖЕННЯ ЩОДО БЕЗПЕКИ ВИКОРИСТАННЯ ТРИМЕРА ДЛЯ ПІДРІЗАННЯ ЖИВОПЛОТУ:

- **Тримайте всі частини тіла якнайдалі від ріжучого полотна. Не видаляйте матеріали, які слід порізати, під час руху леза.** Перш ніж усунути матеріал, який заважає подальшій роботі, переконайтеся, що перемикач живлення вимкнуто. Мить неуважності під час роботи з кущорізом може призвести до серйозних травм.
- **Переносьте тример для живоплоту за руків'я тільки після зупинки леза.** Для транспортування і зберігання завжди накривайте інструмент кришкою. Належне поводження з кущорізом знизить небезпеку можливого травмування лезом.

- **Тримайте електроінструмент лише за ручки з ізовленим покриттям, оскільки лезо може контактувати з прихованою проводкою.** Контакт лез із дротом під напругою призводить до появи напруги в металевих частинах електроінструмента, що може призвести до ураження користувача електричним струмом.
 - **Тримайте шнур якнайдалі від місця різання.** Під час роботи кабель може заховатись у кущах і випадково порізатись лезом.
 - **Перед початком експлуатації перевірте живопліт на наявність сторонніх предметів, наприклад дротяних огорож.**
 - **Використовуйте тример для живоплоту лише з правильно встановленим запобіжником.** Використання тримера для живоплоту без відповідного запобіжника може призвести до серйозних травм!
 - **Працюйте з тримером для живоплоту двома руками.** Робота однією рукою може призвести до втрати контролю та серйозних травм.
- ⚠ ПОПЕРЕДЖЕННЯ.** Перед експлуатацією перевірте живопліт на наявність сторонніх предметів, наприклад дротяної огорожі. Використовуйте лише тример для живоплоту з правильно зібраним запобіжником. Використання тримера для живоплоту без відповідного запобіжника може призвести до серйозних травм!

ВАЖЛИВІ ВКАЗІВКИ З БЕЗПЕКИ

- Не використовуйте тример для живоплоту, що живиться від батареї, у дощ.
- Не заряджайте акумуляторну батарею під дощем або у вологих місцях.
- Використовуйте лише акумулятори та зарядні пристрої, перелічені на рис. А.
- Не беріть руками відкриті леза або ріжучі кромки, коли запакуєте або тримаєте тример для живоплоту.
- Не використовуйте драбину, дах, дерево або іншу нестійку опору. Міцно стійте на ногах на твердій поверхні, щоб краще контролювати тример для живоплоту в непередбачених ситуаціях.
- Ніколи не дозволяйте дітям працювати з тримером для живоплоту.
- Ніколи не знімайте запобіжні пристрої та не втручайтесь в їх роботу. Регулярно перевіряйте їх правильну роботу. Ніколи не робіть нічого, щоб перешкоджати передбаченій роботі запобіжного пристрою або зменшити захист, який забезпечує запобіжний пристрій.
- Ніколи не експлуатуйте тример для живоплоту без належних запобіжників, пластин або інших захисних пристроїв на місці.
- Перевірте наявність пошкоджених частин перед подальшим використанням тримера для живоплоту. Ретельно перевірте запобіжник або інші пошкоджені деталі, щоб визначити, чи працюватимуть вони бездоганно та виконуватимуть функцію, для якої призначені. Перевірте центрування та можливе заїдання рухомих деталей, розламування деталей, кріплення та інші умови, які можуть вплинути на роботу інструмента. Щиток чи іншу пошкоджену деталь потрібно належно відремонтувати або замінити у вповноваженому сервісному центрі, якщо в цій інструкції не вказано інше.
- Часто перевіряйте кріпильні болти леза та мотора, чи вони як слід затягнуті. Також візуально перевіряйте, чи лезо не пошкоджене (наприклад, зігнуте, тріснуте або зношене). Замініть лезо лише лезом від EGOTM.
- Замініть лезо, якщо воно зігнуте або тріснуте. Незбалансоване лезо спричиняє вібрацію, яка може пошкодити блок електропривода або призвести до травми.
- Якщо обладнання почне незвично вібрувати, вимкніть мотор і негайно виявіть причину. Вібрація зазвичай сигналізує про несправність.
- Тример використовується для вирізання стеблів завтовшки до 33 мм.
- Обрізайте кромки тільки при денному світлі або доброму штучному освітленні.
- Вийміть або від'єднайте батарею перед обслуговуванням, чищенням або видаленням матеріалу з тримера для живоплоту.
- Не використовуйте тример для живоплоту, що живиться від батареї, у дощ.
- Використовуйте для технічного обслуговування лише ідентичні запчастини, перелічені в цьому посібнику. Використання деталей, що не відповідають характеристикам оригінального обладнання, може призвести до неналежної роботи та поставити під загрозу безпеку.

- Дотримуйтесь інструкцій щодо змащування та заміни приладдя.
- Підтримуйте руки в'я сухими, чистими, без жиру і бруду.
- Збережіть цю інструкцію. Часто переглядайте та використовуйте її, щоб навчати інших, хто може використовувати цей інструмент. Якщо ви надаєте комусь цей інструмент, надайте їм ці інструкції, щоб запобігти неналежному використанню виробу та можливим травмам.

ЗБЕРЕЖІТЬ ЦЮ ІНСТРУКЦІЮ

СПЕЦИФІКАЦІЇ

МОДЕЛЬ		HT5100E	HT6500E
Напруга		56 В \equiv	56 В \equiv
Швидкість холостого ходу	Високий	1600 /хв.	1600 /хв.
	Низький	1400 /хв.	1400 /хв.
Рекомендована робоча температура:		0°C-40°C	
Рекомендована температура зберігання:		-20°C-70°C	
Довжина леза		51 см	65 см
Різальна здатність		33 мм	33 мм
Вага (без акумулятора)		3,6 кг	3,8 кг
Вимірний рівень звукової потужності L_{WA}		90 дБ(A) K= 1,55 дБ(A)	91,45 дБ(A) K= 1,08 дБ(A)
Рівень звукового тиску на місці оператора L_{PA} K=2,5 дБ(A)		81,5 дБ(A)	81,4 дБ(A)
Гарантований рівень звукової потужності L_{WA} (відповідно до стандарту 2000/14/EC)		92 дБ(A)	93 дБ(A)
Вібрація a_v K=1,5 м/с ²	Задня ручка	3,369 м/с ²	5,313 м/с ²
	Передня ручка	1,876 м/с ²	3,115 м/с ²

- Вказане загальне значення вібрації виміряне за стандартним методом тестування і може використовуватися для порівняння одного інструмента з іншим;
- Заявлене сумарне значення вібрації може також використовуватись для попередньої оцінки впливу.

ПРИМІТКА. Емісія вібрації під час фактичного використання електроінструмента може відрізнятися від заявленої величини, у якій використовується інструмент. Щоб захистити оператора, користувач повинен вдягати рукавички та захисні навушники в реальних умовах використання.

ПАКУВАЛЬНИЙ СПИСОК

НАЗВА ДЕТАЛІ	КІЛЬКІСТЬ
Триммер для живоплоту	1
Щит	1
Посібник користувача	1

ОПИС

ОЗНАЙОМЛЕННЯ З ТРИМЕРОМ ДЛЯ ЖИВОПЛОТУ (рис. А)

1. Кнопка звільнення батареї
2. Задня ручка
3. Тригер блокування
4. Задній важіль перемикача
5. Ручка регулювання швидкості
6. Передня ручка
7. Передній важіль перемикача
8. Запобіжна скоба
9. Кожух леза
10. Лезо
11. Захисний наконечник
12. Засувка
13. Електричні контакти
14. Кріпильний отвір
15. Механізм викидання
16. Замок ручки
17. Корпус мотора
18. Щит

⚠ ПОПЕРЕДЖЕННЯ. Цей продукт поставляється в повністю зібраному вигляді. Запобіжну скобу ніколи не слід видаляти під час використання. Після пошкодження негайно доручіть замінити її кваліфікованому технічному спеціалісту.

⚠ ПОПЕРЕДЖЕННЯ. Для безпечної роботи цього виробу потрібне розуміння інформації на інструменті та в цьому посібнику користувача, а також знання про проект, який ви намагаєтеся виконати. Перед використанням цього виробу ознайомтеся з усіма функціями та правилами техніки безпеки.

ЕКСПЛУАТАЦІЯ

⚠ ПОПЕРЕДЖЕННЯ. Знання виробу не має робити вас небезпечним. Пам'ятайте, що півсекунди неухважності досить для серйозної травми.

⚠ ПОПЕРЕДЖЕННЯ. Завжди носіть захисні окуляри з бічними щитками та навушники. Без окулярів ви ризикуєте травмами очей від викинутих предметів та іншими серйозними травмами.

⚠ ПОПЕРЕДЖЕННЯ. Щоб запобігти випадковому запуску, що може спричинити серйозні травми, завжди виймайте акумуляторну батарею з інструмента під час монтажу деталей, регулювання, очищення або коли він не використовується.

⚠ ПОПЕРЕДЖЕННЯ. Не використовуйте приладдя чи насадки, не рекомендовані EGO™. Використання нерекomenованого приладдя чи насадок може призвести до серйозних травм.

Перед кожним використанням перевірте весь виріб на наявність пошкоджених, відсутніх або зношених деталей, таких як гвинти, гайки, болти, ковпачки тощо. Закріпіть усі затискачі та ковпачки і не використовуйте цей пристрій, доки не будуть замінені всі відсутні або пошкоджені деталі.

ЗАСТОСУВАННЯ

Ви можете використовувати цей виріб для підрізання живоплотів, чагарників і кущів із діаметром гілок менше Ø 33 мм.

ПРИМІТКА. Цей інструмент має використовуватись тільки за призначенням. Будь-яке інше використання вважається випадком використання не за призначенням.

УСТАНОВЛЕННЯ ВИЙМАННЯ АКУМУЛЯТОРНОЇ БАТАРЕЇ

Зарядіть перед першим використанням.

Установлення (рис. В)

Вирівняйте виступи на акумуляторі з кріпильними отворами та натисніть на акумуляторну батарею, доки не почуєте «клацання».

Зняття (рис. С)

Натисніть кнопку звільнення акумулятора та витягніть акумуляторну батарею.

⚠ ПОПЕРЕДЖЕННЯ. Завжди звертайте увагу на розташування своїх ніг, дітей або домашніх тварин, коли натискаєте кнопку звільнення батареї. Падіння акумуляторної батареї може призвести до серйозної травми. **НИКОЛИ** не виймайте акумуляторну батарею у високо розташованому місці.

ЗАПУСК/ЗУПИНЕННЯ ТРИМЕРА ДЛЯ ЖИВОПЛОТУ

Перед використанням зніміть кожух леза і тримайте тример обома руками, однією рукою за задню ручку, а іншою – за передню. Потім перевірте рівновагу, вертикальну поставу і правильну відстань різання.

⚠ ПОПЕРЕДЖЕННЯ. Завжди тримайте тример для живоплоту обома руками за ручки. Ніколи не тримайте кущ однією рукою, а тример для живоплоту – іншою. Нехтування цим попередженням може призвести до тяжких травм.

Запуск

Натисніть на тригер блокування долонею, а потім натисніть задній важіль перемикача вгору. Якщо задній важіль перемикача натиснуто, продовжуйте натискати передню ручку перемикача, щоб запустити.

Зупинка

Відпустіть будь-який із важелів перемикача, щоб зупинити.

ПРИМІТКА. Необхідно натиснути обидва важелі перемикача, щоб запустити тример.

ВИКОРИСТАННЯ ТРИМЕРА ДЛЯ ЖИВОПЛОТУ

⚠ ПОПЕРЕДЖЕННЯ. Якщо лезо натрапляє на будь-який електричний шнур або лінію, **НЕ ТОРКАЙТЕСЯ ЛЕЗА! ВОНО МОЖЕ БУТИ ПІД НАПРУГОЮ І ДУЖЕ НЕБЕЗПЕЧНИМ.** Продовжуйте тримати тример для живоплоту за ізольовану задню ручку або відкладіть його в безпечний спосіб. Відключіть подачу електроенергії на пошкоджену лінію або шнур, перш ніж намагатися звільнити лезо від лінії або шнура. Нехтування цим попередженням призводить до тяжких травм або можливої смерті.

⚠ ПОПЕРЕДЖЕННЯ. Щоб запобігти серйозній травмі, тримайте руки подальше від лез. Не намагайтеся видаляти зрізані матеріали або тримати матеріал, який слід зрізати, під час руху леза. Переконайтеся, що леза повністю зупинилися, а акумуляторну батарею вийнято, перед усуненням матеріалу, що застряг у лезах. Не беріть руками відкриті леза або ріжучі кромки, коли піднімаєте або тримаєте прилад.

⚠ ПОПЕРЕДЖЕННЯ. Очищуйте ділянку підрізання перед кожним використанням. Вилучіть усі предмети, такі як шнури, проводи, дроти або мотузки, які можуть заплутатись у ріжучому лезі та створити ризик серйозних травм.

⚠ ПОПЕРЕДЖЕННЯ. Уникайте зрізання занадто великої кількості одночасно або через густі чагарники. Це може призвести до застрягання або уповільнення леза, що зменшує ефективність зрізання.

ПРИМІТКА. Для нової порослі широкий рух підмітання підходить для стебел, що потрапляють безпосередньо до ріжучого леза. Для старшої порослі рух пиляння підходить для зрізання товстих стебел. Для зрізання великих стебел у першу чергу рекомендується скористатися ручною або обрізною пилою.

Зрізання зверху

Використовуйте широкий рух підмітання. Невеликий нахил ріжучих лез вниз у напрямку руху дає найкращі результати зрізання. Для кращого ефекту зрізання ви також можете використовувати мотузку для керування рівнем живоплоту, як показано на рис. D.

Зрізання збоку

Обрізаючи живопліт збоку, починайте знизу та обрізайте вгору, як показано на рис. E1 / рис. E2.

Радикальне зрізання

Задня рукоятка тримера для живоплоту можна встановити в п'ять положень ($0^\circ/\pm 45^\circ/\pm 90^\circ$), витягнувши виймку (рис. F1 – рис F5). Якщо необхідне радикальне зрізання, установіть задню ручку на $\pm 45^\circ$ (рис. F2 і F4) для зрізання.

⚠ ПОПЕРЕДЖЕННЯ. Під час регулювання ручки ріжуче лезо не має працювати.

ПРИМІТКА. Під час роботи рукоятка завжди має бути спрямована вгору, незалежно від того, куди спрямовано тример.

Захисний наконечник

Захисний наконечник (рис. G) використовується для захисту зовнішнього кінця леза.

Кожух леза

Зовнішня частина лез повторює форму кожуха леза (Рис. H).

H-1	Лезо
H-2	Кожух леза

⚠ ПОПЕРЕДЖЕННЯ. Завжди перевіряйте, чи кожух леза не пошкоджено й не деформовано. Замініть його, якщо його зігнуто або пошкоджено.

ТЕХНІЧНЕ ОБСЛУГОВУВАННЯ

⚠ ПОПЕРЕДЖЕННЯ. Використовуйте для технічного обслуговування лише ідентичні запчастини. Використання будь-яких інших частин створює небезпеку або може призвести до поломки виробу. Для гарантування безпеки та надійності всі ремонтні роботи повинен проводити кваліфікований технічний спеціаліст.

⚠ ПОПЕРЕДЖЕННЯ. Щоб уникнути серйозних травм, завжди виймайте акумуляторну батарею з виробу, перш ніж очистити або виконувати будь-яке технічне обслуговування.

ЧИЩЕННЯ

- Використовуйте м'яку щітку, щоб видалити сміття з усіх впускних вентиляційних отворів та леза.
- Для видалення смоли та інших липких залишків розпиліть на леза розчинник смоли. Запустіть мотор ненадовго, щоб розчинник рівномірно розподілився.
- Протирайте поверхню сухою тканиною.

⚠ ПОПЕРЕДЖЕННЯ. Ніколи не використовуйте воду для очищення тримера. Не застосовуйте розчинники, коли чистите пластмасові деталі. Більшість пластмас чутливі до пошкоджень різноманітними промисловими розчинниками. Для видалення бруду, пилу, мастила тощо користуйтеся чистою ганчіркою.

ЗАТОЧУВАННЯ ЛЕЗА

1. Вийміть акумуляторну батарею з тримера для живоплоту.
2. Зафіксуйте лезо в зборі в тримачі та обробіть напилком відкриту ріжучу поверхню кожного зубця. Видаліть якомога менше матеріалу.
3. Зніміть тример для живоплоту з тримача та відрегулюйте незагострене лезо на іншій стороні. Повторіть описані вище процедури, доки всі зубці не буде заточено.

ПРИМІТКА. Не працюйте з тримером для живоплоту із затупленими або пошкодженими лезами. Це може спричинити перевантаження та надасть незадовільні результати підрізання.

ЗМАЩУВАННЯ ЛЕЗА

Для найкращої експлуатації та довшого терміну служби змащуйте лезо тримера для живоплоту легким машинним маслом до і після кожного використання.

Вийміть акумуляторну батарею та покладіть тример на рівну поверхню. Нанесіть масло вздовж краю верхнього леза.

ПРИМІТКА. У разі тривалого періоду експлуатації змащуйте лезо під час зрізання.

⚠ ПОПЕРЕДЖЕННЯ. Не змащуйте, коли тример працює.

ЗМАЩУВАННЯ КОРПУСУ РЕДУКТОРА

Для кращої експлуатації та більш тривалого терміну служби змащуйте корпус редуктора тримера для живоплоту спеціальним мастилом (5–6 г для №1 і 10–12 г для №2 щоразу) кожні 25 годин роботи.

ПРИМІТКА. Зверніться по допомогу до місцевого дилера еґо для обслуговування.

Спеціальне мастило має відповідати зазначеним далі вимогам.

1. Відповідність стандарту DIN51818: ступінь проникнення конуса NLGI-2.
2. Складається з полісічовинних загусників + синтетичного мастила.
3. Властивості відмінного низькотемпературного запуску, протизадирні властивості, стійкість до механічного розривання, стирання та окислення.
4. Робоча температура має бути в межах від -40 до +180°C.

ТРАНСПОРТУВАННЯ ТА ЗБЕРІГАННЯ

- Завжди одягайте кожух леза на лезо перед зберіганням або транспортуванням тримера для живоплоту. Будьте обережні, щоб уникати гострих зубців леза.
- Перед зберіганням слід ретельно очистити тример для живоплоту.
- Зберігайте тример для живоплоту в місці, недоступному для дітей.
- Тримайте подалі корозійні агенти, такі як садові хімікати та солі проти ожеледі.

⚠ ПОПЕРЕДЖЕННЯ. Леза гострі. Під час маніпуляцій із лезом одягайте неслизькі міцні захисні рукавиці. Не кладіть руку або пальці між лезами або в будь-якому положенні, де вони можуть бути защемлені або порізані. НІКОЛИ не торкайтеся лез і не обслуговуйте прилад з установленим акумулятором.

Захист довкілля



Не викидайте електричне обладнання, зарядний пристрій та батареї/акумулятори в побутові відходи!

Відповідно до європейського закону 2012/19/ЄС електричне та електронне обладнання, яке більше не придатне для використання, і згідно з європейським законом 2006/66/ЄС дефектні або використані акумуляторні батареї мають збиратись окремо.

Якщо електричний пристрій утилізується на сміттєзвалищі, небезпечні речовини можуть витекти в ґрунтові води та потрапити в харчовий ланцюг, що може зашкодити вашому здоров'ю та самопочуттю

УСУНЕННЯ НЕСПРАВНОСТЕЙ

НЕСПРАВНІСТЬ	ПРИЧИНА	ВИРІШЕННЯ
Тример для живоплоту не працює.	<ul style="list-style-type: none"> ■ Акумуляторна батарея не приєднана до тримера для живоплоту. 	<ul style="list-style-type: none"> ■ Під'єднайте акумулятор до тримера для живоплоту.
	<ul style="list-style-type: none"> ■ Немає електричного контакту між тримером і батареєю 	<ul style="list-style-type: none"> ■ Вийміть акумулятор, перевірте контакти та знову встановіть акумулятор.
	<ul style="list-style-type: none"> ■ Акумуляторна батарея розряджена. 	<ul style="list-style-type: none"> ■ Зарядіть акумуляторну батарею.
	<ul style="list-style-type: none"> ■ Акумулятор занадто гарячий. 	<ul style="list-style-type: none"> ■ Видаліть акумуляторну батарею з інструмента та дайте їй охолонути, доки температура не опуститься нижче 67°C.
	<ul style="list-style-type: none"> ■ Тример для живоплоту занадто гарячий. 	<ul style="list-style-type: none"> ■ Відпустіть обидва важелі перемикача, дайте тримеру охолонути, доки температура не опуститься нижче 77°C.
	<ul style="list-style-type: none"> ■ Два важелі перемикача не натиснено одночасно. 	<ul style="list-style-type: none"> ■ Натискайте важелі перемикача на передній і задній ручці одночасно.
	<ul style="list-style-type: none"> ■ Лезо защемлено. 	<ul style="list-style-type: none"> ■ Вийміть акумуляторну батарею з інструмента, обережно приборіть перешкоду, потім знову вставте акумулятор і запустіть інструмент.
Надмірна вібрація чи шум.	<ul style="list-style-type: none"> ■ Сухі або корозійні леза. 	<ul style="list-style-type: none"> ■ Змастіть леза, дотримуючись вказівок у розділі «ЗМАЦУВАННЯ ЛЕЗА» в цьому посібнику.
	<ul style="list-style-type: none"> ■ Лезо або тримач леза зігнуті. 	<ul style="list-style-type: none"> ■ Замініть на нове лезо чи тримач. Зв'яжіться із сервісним центром EGO для заміни леза чи тримача.
	<ul style="list-style-type: none"> ■ Зігнуті або пошкоджені зубці. 	<ul style="list-style-type: none"> ■ Замініть на нове лезо. Зв'яжіться із сервісним центром EGO для заміни леза.
	<ul style="list-style-type: none"> ■ Ослаблені болти леза. 	<ul style="list-style-type: none"> ■ Затягніть болти леза. Використовуючи гайковий ключ, затягніть болт за годинниковою стрілкою.

ГАРАНТІЯ

ПРАВИЛА ГАРАНТІЇ EGO

Будь ласка, відвідайте веб-сайт egopowerplus.com для отримання повних умов гарантійної політики EGO.

ПРОЧЕТЕТЕ ВСИЧКИ ИНСТРУКЦИИ)



ПРОЧЕТЕТЕ И ОСЪЗНАЙТЕ РЪКОВОДСТВОТО С ИНСТРУКЦИИ

⚠ Остатъчен риск! Хора с електронни устройства, като пейсмейкър трябва да се консултират с лекуващия(те) си лекар(и) преди употреба на този продукт. Работата с електрическо оборудване в непосредствена близост до сърдечен пейсмейкър може да предизвика смущение или неизправност на пейсмейкъра.

⚠ ПРЕДУПРЕЖДЕНИЕ: За да осигурите безопасността и надеждността, всички поправки и подмени трябва да се извършват от квалифициран сервизен техник.

СИМВОЛИ ЗА БЕЗОПАСНОСТ

Целта на символите за безопасност е да привличат вниманието към възможни опасности. Символите за безопасност и обясненията към тях заслужават вашето повишено внимание и осъзнаване. Символите за безопасност сами по себе си не елиминират каквато и да е опасност.

Инструкциите и предупрежденията, които предоставят не са заместители за подходящите мерки за предотвратяване на инцидент.

ПРЕДУПРЕЖДЕНИЕ: Уверете се, че сте прочели и осъзнали всички инструкции за безопасност в това Ръководство на оператора, включително всички известяващи символи за безопасност, като "ОПАСНОСТ", "ПРЕДУПРЕЖДЕНИЕ," и "ВНИМАНИЕ" преди да използвате този инструмент. Неспазването на всички инструкции изброени долу може да доведе до електрически шок, пожар и/или сериозно нараняване.

ЗНАЧЕНИЕ НА СИМВОЛИТЕ

СИМВОЛ СИГНАЛИЗИРАЩ ЗА БЕЗОПАСНОСТ: Показва ОПАСНОСТ, ПРЕДУПРЕЖДЕНИЕ, ИЛИ ВНИМАНИЕ. Могат да бъдат използвани във връзка с други символи или пиктограми.

⚠ ПРЕДУПРЕЖДЕНИЕ: Експлоатацията на всички електрически инструменти, може да доведе до изхвърляне на чужди предмети към вашите очи, което може да доведе до сериозно нараняване на око. Преди започване на работа с електрически инструмент, винаги носете предпазни очила със странична защита и визьор за цялото лице, когато е необходимо. Ние препоръчваме предпазна маска с широк визьор за употреба над очила или стандартни предпазни очила със странична защита.

ИНСТРУКЦИИ ЗА БЕЗОПАСНОСТ

Тази страница изобразява и описва символите за безопасност, които може да се появят по този продукт. Прочетете, осъзнайте и следвайте всички инструкции по машината преди предприемане на сглобяване или работа.

	Сигнал за безопасност	Показва риска от потенциално нараняване на човек.
	Прочетете ръководството на оператора	За намаляване на опасността от нараняване, потребителят трябва да прочете ръководството на оператора.
	Не излагайте на дъжд	ПРЕДУПРЕЖДЕНИЕ: Не използвайте в дъжд или не го оставяйте навън, когато вали.
	Дължина на ножа	Дължина на ножа
	Капацитет за рязане	Максимален капацитет на рязане на ножа
V	Милиметър	Напрежение
A	Ампера	Ток
Hz	Херца	Честота (цикъла за минута)
W	Вата	Мощност
min	Минути	Време
	Променлив ток	Вид ток
	Постоянен ток	Вид или характеристика на тока
n_0	Скорост без натоварване	Скорост на въртене без товар
... /min	на минута	Обороти в минута
SPM	Хода в минута	Скорост на извършването на ходовете без товар

ОБЩИ ПРЕДУПРЕЖДЕНИЯ ЗА БЕЗОПАСНОСТ НА ЕЛЕКТРИЧЕСКИ ИНСТРУМЕНТИ

▲ ПРЕДУПРЕЖДЕНИЕ: Прочетете всички предупреждения и инструкции за безопасност. Неспазването на предупрежденията и инструкциите може да доведе до електрически шок, пожар и/или сериозно нараняване.

Запазете всички предупреждения и инструкции за бъдеща справка.

Терминът “Електрически инструмент” в предупрежденията се отнася до захранвани от мрежата (кабелни) електрически инструменти или захранвани чрез батерия (безкабелни) електрически инструменти.

БЕЗОПАСНОСТ В РАБОТНАТА ЗОНА

- **Поддържайте работната зона чиста и добре осветена.** Разхвърляни или тъмни работни зони пораждат инциденти.
- **Не работете с електроинструменти в експлозивна атмосфера,** като например в присъствието на запалими течности, газ или прах. Електрическият инструмент създава искра, която може да възпламени праха или изпаренията.
- **Дръжте на разстояние децата и страничните лица, докато работите с електрически инструмент.** Разсейването може да причини загуба на контрол.

ЕЛЕКТРИЧЕСКА БЕЗОПАСНОСТ

- **Щепселите на електроинструмента трябва да съответстват на контакта.** Никога не модифицирайте щепсела по какъвто и да е начин. Не използвайте какъвто и да е адаптер със заземени електрически инструменти. Немодифицираните щепсели и съответстващите контакти ще намалят риска от електрически шок.
- **Избягвайте контакт на тялото със заземени повърхности,** като тръби, радиатори, кухненски печки и хладилници. Съществува повишена опасност от токов удар, ако тялото Ви е заземено.
- **Не излагайте електрическите инструменти на дъжд или влажни условия.** Навлизането на вода в електрическия инструмент ще увеличи риска от токов удар.

- **Не злоупотребявайте с кабела.** Никога не използвайте кабела за пренасяне, изтегляне или изключване от контакта на електрическия инструмент. Дръжте кабела настрана от топлина, масло, остри ръбове или движещи се части. Повредени или оплетени кабели увеличават риска от токов удар.
- **Когато работите с електроинструмент на открито,** използвайте удължителен кабел подходящ за употреба на открито. Употребата на кабел подходящ за употреба на открито намалява риска от електрически шок.
- **Ако работата с електрическия инструмент на влажно място е неизбежна,** използвайте захранване с дефектнотокова защита (RCD). Употребата на RCD намалява риска от токов удар.

ЛИЧНА БЕЗОПАСНОСТ

- **Внимавайте, гледайте какво правите и използвайте здрав разум,** когато работите с електрически инструмент. Не използвайте електрически инструмент, когато сте уморени или когато сте под влияние на наркотици, алкохол или лекарства. Момент невнимание по време на работата с електрически инструмент, може да доведе до сериозно лично нараняване.
- **Използвайте лични предпазни средства.** Винаги носете защита за очите. Защитно оборудване като прахови маски, неплъзгащи се безопасно обувки, твърда каска или защита за слуха използвана при подходящи условия ще намали риска от лични наранявания.
- **Предотвратете непреднамерено пускане.** Уверете се, че ключът е в изключена позиция, преди да свържете към захранване и/или батерия, повдигайки или носейки инструмента. Носейки инструмента, докато пръстът ви е на спусъка или подаването на захранване на инструменти, които са с включен прекъсвач е предпоставка за инциденти.
- **Извадете всеки регулиращ ключ или гаечен ключ, преди да включите захранването.** Гаечен или друг ключ оставен закачен към въртящите се части на електрическия инструмент, може да доведе до лично нараняване.
- **Не се протягайте.** Запазете правилна стойка и баланс по всяко време. Това позволява добър контрол върху електрическия инструмент в непредвидени ситуации.
- **Облечете се подходящо.** Не носете отпуснати дрехи или бижута. Дръжте косата, дрехите и ръкавиците далеч от движещи се части. Отпуснати дрехи, бижута или дълга коса, могат да бъдат хванати в движещите се части.

- Ако са предоставени устройства за свързване на прахоуловител или съоръжения за събиране, уверете се, че те са свързани и са правилно използвани. Употребата на устройства за прах може да намали рисковете свързани с прах.

УПОТРЕБА И ГРИЖА ЗА ЕЛЕКТРИЧЕСКИЯ ИНСТРУМЕНТ

- Не пресилвайте електрически инструмент. Използвайте правилния електрически инструмент за вашата работа. Правилният електрически инструмент ще свърши работата по-добре и по-безопасно при капацитета за който е проектиран.
- Не използвайте електрическия инструмент ако ключът не го включва или изключва. Всеки електрически инструмент, който не може да бъде контролиран от ключа е опасен и трябва да бъде поправен.
- Разкачете щепсела от захранването и/или батерията от електрическия инструмент, преди да извършите настройки, смяна на аксесоари или съхраняване на инструментите. Подобни превантивни мерки за безопасност намаляват риска от стартиране на инструмента инцидентно.
- Дръжте свободния електрически инструмент извън достъпа до деца и не позволявайте хора, които не са запознати с електрическия инструмент или тези инструкции да работят с него. Електрическите инструменти са опасни в ръцете на необучени потребители.
- Поддържайте електрическите инструменти. Проверете за разместване или блокиране на подвижни части, счупване на части, и всякакви други условия, които могат да повлияят на работата на електрическите инструменти. При повреда ремонтирайте инструмента преди употреба. Много инциденти са причинени от лошо поддържани електрически инструменти.
- Дръжте режещите инструменти остри и чисти. Правилно поддържани режещи инструменти, с остри режещи ръбове е по-малко вероятно да се заклеят и по-лесно се контролират;
- Използвайте електрическия инструмент, аксесоарите, частите на инструмента и т.н в съответствие с тези инструкции, като вземете предвид условията на работа и вида работа, която ще бъде извършвана. Употребата на електрическия инструмент за дейности различни от предназначенията може да доведе до опасни ситуации.

BG

УПОТРЕБА И ГРИЖА ЗА ИНСТРУМЕНТ НА БАТЕРИИ

- Презареждайте само с зарядно устройство определено от производителя. Зарядно устройство, което е подходящо за един тип акумулаторни батерии може да създаде риск от пожар, когато се използва с други акумулаторни батерии.
- Използвайте електроинструменти само със специфично обозначени акумулаторни батерии. Употребата на каквато и да е друга батерия може да създаде риск от нараняване или пожар.
- Когато акумулаторните батерии не са в употреба ги дръжте на разстояние от други метални обекти, като кламери, монети, ключове, пирони, отвертки или други малки метални предмети, които могат да направят свързване между клемите. Свързване на късо на клемите на акумулаторната батерия може да причини изгаряния или пожар.
- При условия на злоупотреба, течност може да се отдели от акумулаторната батерия; предотвратете контакт. Ако инцидентно възникне контакт, изплакнете с вода. Ако течност влезе в контакт с очите, допълнително потърсете медицинска помощ. Течност отделена от акумулаторната батерия може са предизвика възпаление или изгаряния.

ОБСЛУЖВАНЕ

- Обслужвайте вашия електрически инструмент чрез квалифициран техник, като използвате само идентични резервни части. Това ще осигури поддържането на безопасността на електрическия инструмент.

ПРЕДУПРЕЖДЕНИЯ ЗА БЕЗОПАСНОСТ ЗА НОЖИЦА ЗА ЖИВ ПЛЕТ

- Дръжте всички части на вашето тяло далеч от режещия нож. Не премествайте отрязания материал или не дръжте материала, който ще бъде отрязан, когато ножовете се движат. Уверете се, че превключвателят е изключен, когато почиствате заседнал материал. Момент невнимание по време на работата с ножицата за жив плет, може да доведе до сериозно лично нараняване.
- Носете ножицата за жив плет за ръкохватката при спрян режещ нож. Когато транспортирате или съхранявате ножицата за жив плет винаги поставяйте капака на режещото устройство. Правилната работа с ножицата за плет ще намали вероятността от възможно нараняване от режещите ножове.

- **Дръжте електрическия инструмент само за изолираните повърхности за захващане, тъй като режещият нож може да влезе в контакт със скрит кабел.** Режещите ножове в контакт с кабел под напрежение могат да направят откритите метални части под напрежение и могат да причинят на оператора токов удар.
- **Дръжте кабелите далеч от зоната на рязане.** Кабелът може да бъде скрит в храста по време на работа и да бъде срязан инцидентно от ножа.
- Проверете плета за чужди предмети преди работа, примерно телени огради.
- Използвайте само ножица за жив плет с монтиран по подходящ начин предпазител. Употребата на ножицата за жив плет без подходящ предпазител може да доведе до сериозно нараняване!
- **Използвайте двете ръце, когато работите с ножицата за жив плет. Използването на една ръка може да причини загуба на контрол и да доведе до сериозно нараняване.**

⚠ ПРЕДУПРЕЖДЕНИЕ: Проверете живия плет за чужди предмети преди работа напр. телени огради. Използвайте ножицата за жив плет само с подходящо монтиран предпазител. Употребата на ножицата за жив плет без подходящ предпазител може да доведе до сериозно нараняване!

ВАЖНИ ИНСТРУКЦИИ ЗА БЕЗОПАСНОСТ

- Не използвайте ножица за плет захранвана от батерия в дъжд.
- Не зареждайте акумулаторната батерия при дъжд или в мокра среда.
- Използвайте само с акумулаторни батерии и зарядни устройства изброени на фиг. А.
- Нехващайте откритите режещи ножове или режещи ръбове, когато повдигате и държите ножицата за плет.
- Не използвайте за опора стълба, покрив, дърво или друга нестабилна повърхност. Стабилната стойка на краката върху твърда повърхност позволява по-добро управление на ножицата за плет в непредвидени ситуации.
- Никога не позволявайте на деца да работят с ножицата за жив плет.
- Никога не премахвайте или поправяйте устройствата за безопасност. Проверявайте тяхната правилна работа редовно. Никога не правете нещо, което да пречи на функцията по предназначение на устройството за безопасност или да намали защитата, предоставена от устройството за безопасност.
- Никога не работете с ножица за жив плет без подходящите предпазители или други предпазни механизми за безопасност поставени на място.
- Проверете повредените части преди последваща употреба на ножицата за плет. Предпазителят или друга част, която е повредена трябва да бъде внимателно проверена за да се определи дали ще работи правилно и ще извърши предназначенията функция. Проверете за разместване или блокиране на подвижни части, счупване на части, монтажа и всякакви други условия, които могат да окажат влияние на работата. Предпазител или други части, които са повредени трябва да бъдат правилно поправени или подменени от оторизиран сервизен център освен ако не е посочено друго в това ръководство.
- Проверявайте на чести интервали ножа и монтажните болтове на мотора за правилно затягане. Също визуално проверете ножа за повреди (примерно огъвания, пукнатини и износване). Подменете ножа само с нож от EGOTM.
- Подменете ножа ако е огънат или напукан. Разбалансиран нож причинява вибрации, които могат да повредят мотора или да причинят нараняване.
- Ако оборудването започне да вибрира неестествено, спрете мотора и незабавно проверете за причината. Вибрациите обикновено са предупреждение за проблем.
- Ножицата трябва да бъде използвана за рязане на стъбла с дебелина по-малка от 33 мм.
- Подрязвайте единствено на дневна светлина или на добра изкуствена светлина.
- Извадете или разединете акумулаторната батерия, преди обслужване, почистване или изваждане на материали от ножицата за жив плет.
- Не измивайте с маркуч, избягвайте попадане на вода в мотора и електрическите връзки.
- Когато обслужвате използвайте само идентични резервни части посочени в това ръководство. Употребата на части, които не съответстват със спецификациите на стандартното оборудване, могат да доведат до неправилна работа и компрометирана безопасност.
- Следвайте инструкциите за смазване и смяна на аксесоари.

- Дръжте ръкохватките сухи, чисти и без масло и грес.
- Запазете тези инструкции. Обръщайте се често към тях и ги използвайте за инструктиране на други, които може да използват този инструмент. Ако заемете този инструмент на някой друг, заемете им също и тези инструкции, за да се предотврати злоупотреба с продукта и вероятно нараняване.

ЗАПАЗЕТЕ ТЕЗИ ИНСТРУКЦИИ!

СПЕЦИФИКАЦИИ

МОДЕЛ		HT5100E	HT6500E
Напрежение		56 V ---	56 V ---
Скорост без натоварване	Високо	1600 /min	1600 /min
	Ниско	1400 /min	1400 /min
Препоръчителна работна температура:	0°C-40°C		
Препоръчителна температура на съхранение:	-20°C-70°C		
Дължина на ножа		51 cm	65 cm
Капацитет за рязане		33 mm	33 mm
Тегло (без акумулаторна батерия)		3,6 kg	3,8 kg
Измерено ниво на сила на звука L_{WA}		90 dB(A) K = 1,55 dB(A)	91,45 dB(A) K = 1,08 dB(A)
Ниво на звуково налягане при позицията на оператора L_{PA} K=2,5 dB(A)		81,5 dB(A)	81,4 dB(A)
Гарантирано ниво на сила на звука L_{WA} (измерено съгласно 2000/14/EC)		92 dB(A)	93 dB(A)
Вибрации при h K=1,5 m/c ²	Задна ръкохватка	3,369 m/c ²	5,313 m/c ²
	Предна ръкохватка	1,876 m/c ²	3,115 m/c ²

BG

- Декларираният общ размер на вибрации е измерен в съответствие със стандартния метод за тест и може да бъде използван за сравнение между два инструмента;
- Декларираният общ размер на вибрации може също така да бъде използван за предварителна оценка на влиянието.

БЕЛЕЖКА: Вибрационните емисии по време на действителната употреба на електрическия инструмент може да се различава от декларираната стойност. С цел да се защити оператора, потребителят трябва да носи ръкавици и антифони в действителни условия на работа.

ОПАКОВЪЧЕН ЛИСТ

ИМЕ НА ЧАСТ	БРОЙ
Ножица за жив плет	1
Екран	1
Ръководство на оператора	1

ОПИСАНИЕ

ЗАПОЗНАЙТЕ СЕ С ВАШАТА НОЖИЦА ЗА ЖИВ ПЛЕТ (Фиг. А)

1. Бутон за освобождаване на батерията
2. Задна ръкохватка
3. Спусък за заключване
4. Заден превключващ пост
5. Бутон за регулиране на скоростта
6. Предна ръкохватка
7. Преден превключващ пост
8. Предпазител за ръка
9. Предпазител на ножа
10. Нож
11. Протектор за върха
12. Резе
13. Електрически контакти
14. Монтажен отвор
15. Механизъм за изваждане
16. Заключване за ръкохватката
17. Корпус на двигателя
18. Екран

⚠ ПРЕДУПРЕЖДЕНИЕ: Този продукт е доставен напълно слобен. Предпазителят за ръката никога не трябва да се отстранява по време на употреба. Щом се повреди, незабавно го подменете с помощта на квалифициран сервизен техник.

⚠ ПРЕДУПРЕЖДЕНИЕ: Безопасната употреба на този продукт изисква осъзнаване на информацията върху инструмента и в това ръководство, както и познание относно проекта, с който се захващате. Преди употреба на този продукт се запознайте с работни характеристики и правила за безопасност.

ЕКСПЛОАТАЦИЯ

⚠ ПРЕДУПРЕЖДЕНИЕ: Не позволявайте рутината с този продукт да ви направи непредазливи. Запомнете, че невнимание за малка част от секундата е достатъчна за да нанесе сериозно нараняване.

⚠ ПРЕДУПРЕЖДЕНИЕ: Винаги носете защита за очите със странични предпазители заедно със защита за слуха. Ако не го направите може да доведе до изхвърляне на предмети към очите ви и други възможни сериозни наранявания.

⚠ ПРЕДУПРЕЖДЕНИЕ: За да предотвратите случайно стартиране, което би могло да причини сериозно нараняване, винаги отстранявайте акумулаторния комплект от инструмента, когато монтирате части, извършвате настройки, почиствате или когато не се използват.

⚠ ПРЕДУПРЕЖДЕНИЕ: Не използвайте други приставки или аксесоари, които не са препоръчани от EGO™. Употребата на приставки или аксесоари, които не са препоръчани, може да доведе до сериозно нараняване.

Преди всяка употреба инспектирайте целия продукт за повредени, липсващи или разхлабени части като винтове, гайки, болтове, капачки и др. Затегнете сигурно всички закопчалки и капачки и не работете с този продукт, докато всички повредени или липсващи части са подменени.

ПРИЛОЖЕНИЕ

Може да използвате този продукт за почистване на жив плет, шубраци и храсти с диаметър на клона по-малък от Ø33 мм.

БЕЛЕЖКА: Инструментът трябва да бъде използван само за предназначени цели. Всяка друга употреба се смята за случай на злоупотреба.

МОНТИРАНЕ/ИЗВАЖДАНЕ НА АКУМУЛАТОРНАТА БАТЕРИЯ

Заредете преди първата употреба.

При монтиране (Фиг. В)

Подравнете ребрата на батерията с монтажните жлебове и натиснете батерията надолу, докато чуете “клик”.

При снемане (Фиг. С)

Натиснете бутона за освобождаване на батерията и издърпайте акумулаторната батерия навън.

⚠ ПРЕДУПРЕЖДЕНИЕ: Винаги внимавайте за местоположението на краката си, деца или домашни любимци, когато бутона за освобождаване на акумулаторната батерия. Може да възникне сериозно нараняване, ако акумулаторната батерия падне. НИКОГА не премахвайте акумулаторната батерия от високо.

СТАРТИРАНЕ/СПИРАНЕ НА НОЖИЦАТА ЗА ЖИВ ПЛЕТ

Преди работа, снемете предпазителя за ножа и захванете ножицата с две ръце, едната ръка на задната ръкохватка, а другата на предната ръкохватка. След това проверете баланса на разкрача си, изправената си позиция и подходящата дистанция за рязане.

⚠ ПРЕДУПРЕЖДЕНИЕ: Винаги дръжте и двете си ръце върху ръкохватките на ножицата за жив плет. Никога не захващайте шубраците с едната си ръка, докато работите с ножицата за жив плет с другата. Неспазването на това предупреждение може да доведе до сериозни наранявания.

За да стартирате

Натиснете спусъка за заключване с длан и след това натиснете задния превключващ лост нагоре. С натиснат заден превключващ лост, продължете да натискате предния превключващ лост за стартиране.

За да спрете

Освободете който и да е от превключващите лостове за да я спрете.

ЗАБЕЛЕЖЕТЕ: И двата превключващи лоста трябва да се натиснат за да стартира ножицата за жив плет.

УПОТРЕБА НА НОЖИЦАТА ЗА ЖИВ ПЛЕТ

▲ ПРЕДУПРЕЖДЕНИЕ: Ако ножът заседне на някоя електрическа жица или кабел, **НЕ ДОКОСВАЙТЕ НОЖА! ТОЙ МОЖЕ ДА Е ПОД ЕЛЕКТРИЧЕСКО НАПРЕЖЕНИЕ И МОЖЕ ДА БЪДЕ МНОГО ОПАСЕН.**

Продължете да държите ножицата за плет за изолираната задна ръкохватка или я сложете легнала и на разстояние от вас по безопасен начин. Изключете електричеството към повредения проводник или жица, преди да се опитате да освободите ножа от проводника или жицата. Неспазването на това предупреждение ще доведе до сериозни наранявания или възможна смърт.

▲ ПРЕДУПРЕЖДЕНИЕ: За да предотвратите сериозно нараняване, дръжте ръцете си настрана от ножовете. Не предприемайте преместване на отрязания материал или не дръжте материала, който ще бъде отрязан, когато ножовете се движат. Уверете се, че ножовете са напълно спрели и акумулаторната батерия е снета преди почистване на заседнали материали от ножовете. Не хващайте откритите режещи ножове или режещи ръбове, когато повдигате и държите уреда.

▲ ПРЕДУПРЕЖДЕНИЕ: Почистете зоната, която трябва да бъде подрязана преди всяка употреба. Премахвайте всички предмети, като кабели, лампи или въжънца, които могат да се оплетат в режещите ножове и да създадат опасност от сериозно нараняване.

▲ ПРЕДУПРЕЖДЕНИЕ: Избягвайте да режете твърде много на веднъж или през дебели шубраци. Това може да накара ножовете да се заклещават и да се забавят, като се понижи ефективността на рязане.

ЗАБЕЛЕЖЕТЕ: За нови израсътци, е подходящо широко измитачо движение за почистване на стъблата, които се подават директно в режещия нож. За стари израсътци, режещото движение е добро за подрязване на по-дебелите стъбла. Предлага се ръчен трион без електрическо захранване или секач за почистване първо на големите стъбла.

Подрязване по горната част

Използвайте широко измитачо движение. Лек наклон надолу на режещите ножове по посока на движението дава най-добрите режещи резултати. За по-добра ефективност при рязане, можете също така да използвате връвта за насочване по нивото на храста както е показано на Фиг. D.

Странично подрязване

Когато подрязвате страните на живия плет, започнете от дъното и режете нагоре както е показано на Фиг. E1, Фиг. E2.

Цялостно изрязване

Задната ръкохватка на ножицата за жив плет може да се зададе в пет позиции ($0^\circ/\pm 45^\circ/\pm 90^\circ$) чрез изтегляне на захващачото приспособление (Фиг. F1 до Фиг. F5). Ако е необходимо цялостно изрязване, задайте задната ръкохватка до $\pm 45^\circ$ (Фиг. F2 и F4), за да извършите изрязването.

▲ ПРЕДУПРЕЖДЕНИЕ: Когато ръкохватката е настроена, режещият нож не трябва да работи.

ЗАБЕЛЕЖЕТЕ: Докато работите, ръкохватката ръкохватката трябва винаги да сочи нагоре, независимо как е насочена ножицата за жив плет.

Протектор за върха

Протекторът за върха (Фиг. G) се използва за предпазване на външния край на ножа.

Предпазител на ножа

Външната част на ножовете е оформена като предпазител за нож (Фиг. H).

H-1	Нож
H-2	Предпазител на ножа

▲ ПРЕДУПРЕЖДЕНИЕ: Винаги проверявайте дали предпазителят на ножа не е повреден, или изкривен. Подменете го, ако е огънат или повреден.

ПОДДРЪЖКА

▲ ПРЕДУПРЕЖДЕНИЕ: Когато обслужвате, използвайте само идентични резервни части. Употребата на каквито и да е други части може да създаде опасност или да предизвика повреда на продукта. За да осигурите безопасността и надеждността, всички поправки трябва да се извършват от квалифициран сервизен техник.

▲ ПРЕДУПРЕЖДЕНИЕ: За да избегнете нараняване, винаги сменяйте акумулаторната батерия от продукта, когато почиствате или извършвате поддръжка.

ПОЧИСТВАНЕ

- Използвайте мека четка за да премахнете натрупванията от всички колектори за въздух и режещия нож.

- За да премахнете смолата и други залепващи остатъци, напръскайте ножа с разтворител за смола. Пуснете за кратко мотора, така че разтворителят да бъде равномерно разпределен.
- Забършете повърхността със суха кърпа.

⚠ ПРЕДУПРЕЖДЕНИЕ: Никога не използвайте вода за почистване на тримера. Избягвайте употребата на разтворители, когато почиствате пластмасовите части. Повечето пластмаси са податливи на повреди от различни видове разтворители, предлагани в търговската мрежа. Използвайте чист плат, за премахване на мръсотия, прах, масло и т.н.

ЗАТОЧВАНЕ НА РЕЖЕЩИЯ НОЖ

1. Извадете акумулаторната батерия от вашата ножица за жив плет.
2. Закрепете монтажния възел на ножа в менгеме и наточете с пила подаващите се режещи повърхности на всеки зъб на ножа. Премахнете колкото се може по-малко материал.
3. Снемете ножицата за жив плет от менгемето и настройте ненамочената част от нож от другата страна да се подава. Повторете горната процедура до заточване на всички зъби.

БЕЛЕЖКА: Не работете с вашата ножица за плет, когато режешите ножове са затъпени или повредени. Това може да причини претоварване и ще доведе до незадоволителни резултати при рязане.

СМАЗВАНЕ НА НОЖА

За най-добра работа и по-дълъг живот на ножа, смажете ножа на ножицата за жив плет с леко моторно масло преди и след всяка употреба.

Снемете акумулаторната батерия и поставете ножицата легнала върху плоска повърхност. Нанесете маслото по протежение на ръба на горния нож.

ЗАБЕЛЕЖЕТЕ: За удължен период на употреба, смажете ножа по време на работа по подрязване.

⚠ ПРЕДУПРЕЖДЕНИЕ: Не смазвайте докато ножицата за жив плет работи.

СМАЗВАНЕ НА СКОРОСТНАТА КУТИЯ

За най-добра работа и по-дълъг живот, моля, смазвайте скоростната кутия на ножицата за жив плет със специална грес (5-6g от #1 и 10-12g от #2 всеки път) след всеки 25 часа работа.

БЕЛЕЖКА: Моля, свържете се с вашия търговец, отговарящ за его за съдействие.

Специалната грес трябва да отговаря на следните изисквания.

1. Съответствие с DIN51818: NLGI-2 степен на проникване на конус.
2. Състав от съгъстители за полиурея + синтетично смазочно масло.
3. Отлични нискотемпературни стартови качества, EP, механично срязване, устойчивост на абразия и стабилност на окисляване.
4. Работната температура трябва да бъде -40~180°C.

ТРАНСПОРТИРАНЕ И СЪХРАНЕНИЕ

- Винаги поставяйте предпазителя на ножа върху ножа преди съхранение или транспортиране на ножицата за жив плет. Бъдете внимателни за да избегнете острите зъби на ножа.
- Почистете изцяло ножицата за жив плет преди съхраняване.
- Съхранете ножицата за жив плет на закрито, на сухо място, което е недостъпно до деца.
- Пазете я от корозивни препарати като градински химикали и сол за обезледяване.

⚠ ПРЕДУПРЕЖДЕНИЕ: Ножовете са остри. Когато работите с устройството на ножа, носете неплъзгащи защитни ръкавици за тежка употреба. Не поставяйте ръката или пръстите си между ножовете или в някоя друга позиция, където могат да бъдат защитани или срязани. НИКОГА не докосвайте ножовете или не обслужвайте уреда с монтирана акумулаторна батерия.

Опазване на околната среда



Не изхвърляйте електрическо оборудване, зарядно устройство за акумулаторни батерии и батерии/ акумулаторни батерии в домакинския отпадък.

Съгласно европейския закон 2012/19/EC, електрическо и електронно оборудване, което повече не може да се използва и съгласно европейското законодателство 2006/66/EO, дефектните или използваните акумулаторни батерии/ батерии трябва да се събират отделно.

Ако се изхвърлят електрически уреди в сметища или буница, опасни вещества могат да изтекат в подпочвените води и да попаднат в хранителната верига, като увредят вашето здраве и благосъстояние.

ОТСТРАНЯВАНЕ НА НЕИЗПРАВНОСТИ

ПРОБЛЕМ	ПРИЧИНА	РЕШЕНИЕ
Ножицата за жив плет не работи.	<ul style="list-style-type: none"> ■ Акумулаторната батерия не е прикрепена към ножицата за жив плет. 	<ul style="list-style-type: none"> ■ Закрепете акумулаторната батерия към ножицата за жив плет.
	<ul style="list-style-type: none"> ■ Няма електрически контакт между ножицата и батерията 	<ul style="list-style-type: none"> ■ Извадете батерията, проверете контактите и поставете наново акумулаторната батерия.
	<ul style="list-style-type: none"> ■ Акумулаторната батерия е изтощена. 	<ul style="list-style-type: none"> ■ Сменете акумулаторната батерия.
	<ul style="list-style-type: none"> ■ Акумулаторната батерия е твърде гореща. 	<ul style="list-style-type: none"> ■ Снете акумулаторната батерия от инструмента, за да се охлади, докато температурата спадне под 67°C.
	<ul style="list-style-type: none"> ■ Ножицата за жив плет е твърде гореща. 	<ul style="list-style-type: none"> ■ Освободете и двата превключващи лоста; позволете на ножицата да се охлади, докато температурата спадне под 77°C.
	<ul style="list-style-type: none"> ■ Два превключващи лоста не са натиснати едновременно. 	<ul style="list-style-type: none"> ■ Натиснете едновременно превключващите лостове на предната и задната ръкохватка.
	<ul style="list-style-type: none"> ■ Ножът е блокиран 	<ul style="list-style-type: none"> ■ Снете акумулаторната батерия от инструмента, премахнете внимателно препятствието, след това въведете отново батерията и рестартирайте инструмента.
Прекалени вибрации или шум	<ul style="list-style-type: none"> ■ Сухи или корозирали ножове. 	<ul style="list-style-type: none"> ■ Смазвайте ножовете като следвате раздел "СМАЗВАНЕ НА НОЖА" в това ръководство.
	<ul style="list-style-type: none"> ■ Ножовете или основата на ножа е изкривена. 	<ul style="list-style-type: none"> ■ Подменете с нов нож или основа. Свържете се със сервизен център на EGO за резервен нож или за обслужване по подмяна на основата.
	<ul style="list-style-type: none"> ■ Изкривени или повредени зъби. 	<ul style="list-style-type: none"> ■ Подменете с нов нож. Свържете се със сервизен център на EGO за обслужване по подмяна с резервен нож.
	<ul style="list-style-type: none"> ■ Разхлабени болтове на ножовете. 	<ul style="list-style-type: none"> ■ Затегнете болтовете на ножа. Като използвате гаечен ключ, завъртете болтовете по часовника за да затегнете.

BG

ГАРАНЦИЯ

ГАРАНЦИОННА ПОЛИТИКА EGO

Моля посетете уебсайта egopowerplus.com за пълните условия по гаранционната политика на EGO.

PROČITAJTE KORISNIČKI PRIRUČNIK!



UPUTE ZA UPORABU PROČITAJTE S RAZUMIJEVANJEM

⚠ Preostale opasnosti! Osobe s elektroničkim uređajima poput srčanih elektrostimulatora prije korištenja ovog proizvoda trebaju se posavjetovati sa svojim liječnikom. Rad električne opreme u neposrednoj blizini srčanih elektrostimulatora može prouzročiti smetnju ili kvar srčanog elektrostimulatora.

⚠ UPOZORENJE! Radi osiguranja sigurnosti i pouzdanosti sve popravke i zamjene treba obavljati kvalificirani servisni tehničar.

SIGURNOSNI SIMBOLI

Svrha sigurnosnih simbola je skretanje pozornosti na moguće opasnosti. Sigurnosni simboli i njihova objašnjenja zahtijevaju vašu potpunu pozornost i razumijevanje. Sami simboli upozorenja ne isključuju opasnost.

Upute i upozorenja koja pružaju nisu zamjena za propisne mjere za prevenciju nesreća.

UPOZORENJE! Prije korištenja ovog alata pobrinite se da sve upute u ovom korisničkom priručniku, uključujući sve sigurnosne simbole kao što su "**OPASNOST**", "**UPOZORENJE**" i "**OPREZ**" pročitate s razumijevanjem. Zanemarivanje svih uputa navedenih u nastavku može rezultirati strujnim udarom, požarom i/ili teškim tjelesnim ozljedama.

ZNAČENJE SIMBOLA

SIGURNOSNI SIMBOL: ukazuje na **OPASNOST**, **UPOZORENJE** ILI **OPREZ**. Može se koristiti u kombinaciji s drugim simbolima ili piktogramima.

⚠ UPOZORENJE! Rukovanje električnim alatima može rezultirati odbacivanjem stranih predmeta u oči što opet može izazvati teška oštećenja očiju. Prije početka rukovanja električnim alatom uvijek nosite zatvorene zaštitne naočale ili zaštitne naočale s bočnim štitnicima, a prema potrebi i štitnik za cijelo lice. Preporučujemo nošenje sigurnosne maske širokog vidnog polja preko naočala, ili nošenje standardnih zaštitnih naočala s bočnim štitnicima.

SIGURNOSNE NAPOMENE

Na ovoj stranici slikovno su prikazani i objašnjeni sigurnosni simboli koji se mogu pojaviti na ovom proizvodu. Prije pokušaja sastavljanja i rukovanja s razumijevanjem pročitajte sve upute na stroju i pridržavajte ih se.

	Simbol upozorenja	Ukazuje na potencijalnu opasnost od tjelesnih ozljeda.
	Pročitajte korisnički priručnik.	Zbog smanjenja opasnosti od ozljeda, korisnik treba pročitati korisnički priručnik.
	Ne izlagati kiši	UPOZORENJE: Proizvod ne koristite na kiši i ne ostavljajte ga na otvorenom kada pada kiša.
	Duljina oštrice	Dužina noža
	Kapacitet rezanja	Maks. kapacitet rezanja noža
V	Volt	Napon
A	Amperi	Struja
Hz	Herc	Frekvencija (ciklusi u sekundi)
W	Vat	Snaga
min	Minuta	Vrijeme
	Izmjenična struja	Vrsta struje
	Istosmjerna struja	Vrsta ili karakteristike struje
n_0	Brzina bez opterećenja	Broj okretaja u praznom hodu
... /min	U minuti	Okretaji u minuti
SPM	Taktova u minuti	Broj taktova u praznom hodu

OPĆA UPOZORENJA O SIGURNOSTI ELEKTRIČNIH ALATA

UPOZORENJE: Pažljivo pročitajte sigurnosna upozorenja i sve upute. Nepoštivanje upozorenja i uputa može za posljedicu imati strujni udar, požar i/ili teške ozljede.

Sva upozorenja i upute spremite za buduće potrebe.

Pojam „električni alat“ se u upozorenjima odnosi na sav alat s mrežnim napajanjem (s priključnim kabelom) ili s baterijskim napajanjem (bez priključnog kabela).

SIGURNOST RADNOG PODRUČJA

- **Područje za rad održavajte čistim i dobro osvijetljenim.** Pretrpana ili mračna područja izazivaju nesreće.
- **Nemojte koristiti alate s napajanjem u eksplozivnom okruženju, kao što je neposredna blizina zapaljivih tekućina, plinova ili prašine.** Električni alat stvara iskre koje mogu zapaliti prašinu ili isparenja.
- **Dok se koristite električnim alatom, djecu i promatrače udaljite od mjesta rada.** Ometanje može dovesti do gubitka kontrole nad alatom.

ELEKTRIČNA SIGURNOST

- **Utikači električnog alata moraju odgovarati utičnici.** Ne izvodite nikakve preinake na utikaču. Utikače s adapterom nemojte koristiti s uzemljenim alatima. Nepreinačeni utikači i odgovarajuće utičnice smanjit će rizik od strujnog udara.
- **Izbjegavajte kontakt tijela s uzemljenim ili metalnim površinama kao što su slavine, radijatori, peći i hladnjaci.** Opasnost od električnog udara se povećava ako je vaše tijelo spojeno s uzemljenom površinom ili tlom.
- **Električni alat ne izlažite kiši ili mokrim uvjetima.** Prodiranje vode u električni alat povećat će rizik od strujnog udara.
- **Kabel ne koristite nepropisno. Kabel ne koristite za nošenje, povlačenje ili iskopčavanje električnog alata. Kabel držite dalje od topline, ulja, oštih rubova ili pokretnih dijelova.** Oštećeni ili isprepleteni kabeli povećavaju rizik od strujnog udara.
- **Kada električnim alatom radite na otvorenom, koristite produžni kabel prikladan za uporabu na otvorenom.** Korištenje kabela prikladnog za uporabu na otvorenom smanjuje rizik od strujnog udara.
- **Ako je korištenje električnog alata na vlažnim mjestima neizbježno, koristite izvor napajanja koji je zaštićen strujnom zaštitnom sklopkom (SZS).** Upotreba SZS će smanjiti opasnost od električnog udara.

HR

OSOBNA SIGURNOST

- **Budite oprezni i koncentrirajte se na posao koji obavljate i ponašajte se razumno pri korištenju električnog alata. Nemojte raditi s električnim alatom ako ste umorni ili pod utjecajem droge, alkohola ili lijekova.** Trenutak nepažnje tijekom rada s električnim alatom može rezultirati teškim tjelesnim ozljedama.
 - **Koristite osobnu zaštitnu opremu. Nosite zaštitu za oči.** Osobna zaštitna oprema kao što je maska protiv prašine, zaštitne cipele s potplatama protiv klizanja, zaštitna kaciga ili štيتnici za sluh, koja se koristi za odgovarajuća stanja, umanjit će opasnost od ozljede.
 - **Spriječite nehotično uključivanje alata. Prije nego alat povežete na izvor napajanja i/ili dio sa baterijom, podižite ili nosite alat provjerite nalazi li se prekidač u položaju “isključeno”.** Nošenje alata s prstom na sklopki ili priključivanje alata na napajanje s uključenom sklopkom pogoduje nezgodama.
 - **Skinite s alata sve ključeve za podešavanje ili pritezanje prije uključivanja njegovog napajanja.** Viličasti ključ ili ključ za stezanje glave koji su ostali na rotirajućem dijelu električnog alata mogu izazvati ozljede.
 - **Nemojte se pretjerano naginjati. Cijelo vrijeme održavajte odgovarajuće držanje i ravnotežu.** Na taj način ćete zadržati bolju kontrolu nad alatom u nepredviđenim situacijama.
 - **Obucite se prikladno. Ne nosite široku odjeću ili nakit. Kosu, odjeću i rukavice držite dalje od pokretnih dijelova.** Pokretni dijelovi mogu zahvatiti široku odjeću, nakit ili dugu kosu.
 - **Ako postoje uređaji za povezivanje s usisivačima i skupljačima prašine, provjerite jesu li dobro spojeni i koristite li se ispravno.** Uporaba uređaja za prašinu smanjuje opasnost koja nastaje nakupljanjem prašine.
- ## KORIŠTENJE I BRIGA O ELEKTRIČNOM ALATU
- **Nemojte preopterećivati električni alat. Koristite alat koji odgovara poslu koji obavljate.** S prikladnim električnim alatom posao ćete obaviti bolje, sigurnije i predviđenom brzinom.
 - **Nemojte koristiti alat ako ga sklopkom ne možete uključiti ili isključiti.** Električni alat koji se ne može uključiti ili isključiti sklopkom opasan je i treba ga popraviti.
 - **Prije podešavanja, mijenjanja nastavaka ili spremanja alata izvadite utikač iz utičnice i/ili iz alata izvadite baterije.** Ova preventivna sigurnosna mjera će smanjiti opasnost od nehotičnog pokretanja električnog alata.

- **Električni alat koji ne koristite spremite izvan dohvata djece i nemojte dozvoliti da njime rade osobe koje nisu upoznate s električnim alatom ili s ovim uputama za rad s električnim alatom.** Električni alati su opasni u rukama neizvježbanih osoba.
- **Održavajte električni alat.** Provjerite da pokretni dijelovi alata nisu nepopravni ili zakočeni, da nema slomljenih dijelova ili drugih stanja koja mogu utjecati na rad električnog alata. Ako ima oštećenja, svakako ih prije korištenja otklonite. Mnoge nezgode su nastale upravo zbog slabog održavanja električnog alata.
- **Rezne alate održavajte oštroma i čistima.** Pravilno održavani rezni alati s oštrim reznim bridovima manje su skloni zaglavljivanju i njima se lakše upravlja;
- **Koristite električni alat, dodatnu opremu i nastavke u skladu s ovim uputama, uzimajući u obzir radne uvjete i vrstu rada koji će te obavljati.** Upotreba električnog alata za radove za koje on nije predviđen može dovesti do opasnih stanja.

KORIŠTENJE I NJEGA BATERIJSKOG ALATA

- **Punjenje obavljajte samo s punjačem kojeg je naveo proizvođač.** Punjač koji je prikladan za jedan tip kompleta baterija može stvoriti rizik od požara ako ga se koristi s drugim kompletom baterija.
- **Električni alat koristite samo s izričito navedenim kompletima baterija.** Korištenje drugih kompleta baterija može stvoriti rizik od ozljeda i požara.
- **Kada baterijski modul nije u upotrebi, čuvajte ga što dalje od metalnih predmeta kao što su spajalice, novčići, ključevi, čavli, vijci i drugi mali metalni predmeti koji mogu kratko spojiti priključke.** Kratko spajanje baterijskih kontakata može prouzročiti opekline ili požar.
- **U slučaju pogrešne uporabe, baterija može izbaciti tekućinu; izbjegavajte kontakt. Ako slučajno dođe do doticaja, mjesta doticaja isperite vodom. Ako tekućina dođe u doticaj s očima, dodatno potražite pomoć liječnika.** Tekućina koju izbacila baterija može prouzročiti nadražaj kože ili opekline.

SERVISIRANJE

- **Servisiranje strojnog alata prepustite kvalificiranom osoblju za popravak koje koristi samo identične zamjenske dijelove.** Time će se osigurati održavanje sigurnosti strojnog alata.

SIGURNOSNA UPOZORENJA U POGLEDU ŠIŠAČA ŽIVICE

- **Sve dijelove tijela držite podalje od rotirajućeg noža.** Kada se oštrice kreću, ne uklanjajte odrezani materijal ili ne držite materijal koji je potrebno rezati. Kada uklanjate zaglavljivi materijal, uvjerite se da je sklopka u isključenom položaju. Trenutak nepažnje tijekom rada sa šišačem živice može rezultirati teškim tjelesnim ozljedama.
- **Šišač živice nosite za dršku s reznim nožem u zaustavljenom položaju.** Kada šišač živice transportirate ili skladištite, uvijek postavite štitnik. Pravilno rukovanje šišačem živice smanjuje moguću osobnu ozljedu reznim noževima.
- **Električni alat držite samo za izolirane površine za držanje jer rezni nož može biti u dodiru sa skrivenim ožičenjem.** Ukoliko su rezni noževi u dodiru s kabelom pod naponom, postoji opasnost da izloženi metalni dijelovi električnog alata također budu pod naponom, uslijed čega rukovatelj može doživjeti strujni udar.
- **Držite kabel dalje od područja rezanja.** Tijekom rada kabel može biti skriven u grmovima i može ga se slučajno odrezati nožem.
- **Prije rada provjerite živicu u pogledu stranih predmeta, npr. žičane ograde.**
- **Šišač živice koristite samo ako je štitnik pravilno montiran.** Ako šišač živice koristite bez odgovarajućeg štitnika, može doći do teških tjelesnih ozljeda!
- **Prilikom rada sa šišačem živice upotrijebite obje ruke.** Rad s jednom rukom može uzrokovati gubitak kontrole i ozbiljne tjelesne ozljede.

⚠ UPOZORENJE: Provjerite da u živici nema stranih predmeta prije nego započnete s radom, npr. da iza nje nije žičana ograda. Šišač živice koristite samo ako je štitnik pravilno montiran. Ako šišač živice koristite bez odgovarajućeg štitnika, može doći do teških tjelesnih ozljeda!

VAŽNE UPUTE U VEZI SIGURNOSTI

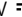

- Ne koristite šišač za živicu po kiši.
- Baterijski modul nemojte puniti na kiši ili mokrim mjestima.
- Upotrebjavajte samo s baterijskim modulima i punjačima koji su navedeni na sl. A.

- Prilikom podizanja ili držanja šišača živice nemojte hvatati izložene rezne noževe ili rezne rubove.
- Stroj nemojte koristiti na ljestvama, krovu, stablu ili drugoj nestabilnoj podlozi. Stabilna podloga na čvrstoj površini omogućuje bolju kontrolu rezanja živice u neočekivanim situacijama.
- Nikad ne dopuštajte djeci da rade sa šišačem živice.
- Nikada ne skidajte i ne dirajte sigurnosne naprave. Redovito vršite provjeru ispravnosti njihovog rada. Nikada ne ometajte predviđenu funkciju sigurnosne naprave i ne ograničavajte zaštitu koju pruža sigurnosna naprava.
- Šišač živice ne upotrebljavajte bez postavljenih odgovarajućih štitnika, ploča i drugih sigurnosnih naprava.
- Provjerite oštećene dijelove prije daljnjeg korištenja šišača. Potrebno je pažljivo provjeriti štitnik ili drugi oštećeni dio kako biste utvrdili hoće li propisno raditi i obavljati svoju namjensku funkciju. Provjerite jesu li pokretni dijelovi centrirani i spojeni, ima li polomljenih dijelova, jesu li dijelovi montirani i postoji li stanje koje može negativno utjecati na rad uređaja. Štitnik ili drugi oštećeni dio treba propisno popraviti ili zamijeniti ovlaštenim servisni centar ako u priručniku nije drukčije navedeno.
- Provjerite pričvrzne vijke noževa i motora u čestim intervalima, u pogledu odgovarajuće zategnutosti. Također, vizualno pregledajte nož u pogledu oštećenja (npr. savinuća, napuknuća i istrošenost). Nož mijenjajte samo drugom originalnim nožem EGOTM.
- Zamijenite nož ako je savijen ili napuknut. Neuravnoteženi nož uzrokuje vibracije koje mogu oštetiti pogonski motor ili uzrokovati ozljede osoba.
- Ako oprema počne neuobičajeno vibrirati, zaustavite motor i odmah potražite uzrok. Vibracije u pravilu ukazuju na problem.
- Šišač se treba koristiti za rezanje graniča kraćih od 33 mm.
- Šišač koristite samo pri dnevnom svjetlu ili dobrom umjetnom osvjetljenju.
- Uklonite ili odspojite bateriju prije servisiranja, čišćenja ili uklanjanja materijala sa šišača živice.
- Uređaj ne perite sa crijevom; izbjegavajte da voda dospjeje u motor i električne priključke.
- Pri servisiranju koristite samo identične zamjenske dijelove navedene u ovom priručniku. Korištenje dijelova koji nisu u skladu sa specifikacijama za izvornu opremu može rezultirati nepravilnim radom i smanjenom sigurnošću.

- Slijedite upute za podmazivanje i zamjenu dodatne opreme.
- Neka vam ruke budu suhe, čiste i bez ulja i masti.
- Sačuvajte ove upute. Koristite upute često i koristite ih za upućivanje drugih osoba koje mogu koristiti ovaj alat. Ako ovaj alat nekom posudite, posudite i ove upute radi sprečavanja neispravnog korištenja proizvoda i mogućih ozljeda.

SAČUVAJTE OVE UPUTE!

TEHNIČKI PODACI

MODEL	HT5100E	HT6500E	
Napon	56 V 	56 V 	
Brzina u praznom hodu	Visoko	1600 /min	1600 /min
	Nisko	1400 /min	1400 /min
Preporučena radna temperatura:	0 °C - 40 °C		
Preporučena temperatura skladištenja:	-20 °C - 70 °C		
Duljina oštrice	51 cm	65 cm	
Kapacitet rezanja	33 mm	33 mm	
Masa (bez kompleta baterija)	3,6 kg	3,8 kg	
Izmjerena razina zvučne snage L_{WA}	90 dB(A) K = 1,55 dB(A)	91,45 dB(A) K = 1,08 dB(A)	
Razina zvučnog tlaka kod rukovatelja L_{PA} K = 2,5 dB(A)	81,5 dB(A)	81,4 dB(A)	
Zajamčena razina zvučne snage L_{WA} (u skladu s Direktivom 2000/14/EZ)	92 dB(A)	93 dB(A)	
Vibracija a_h K=1,5 m/c ²	Strážnji rukohvat	3,369 m/s ²	5,313 m/s ²
	Prednja drška	1,876 m/s ²	3,115 m/s ²

- Deklarirane ukupne vrijednosti vibracija izmjerene su u skladu sa standardnom metodom ispitivanja i mogu se koristiti za usporedbu jednog alata s drugim.
- Deklarirane ukupne vrijednosti vibracija mogu se koristiti u preliminarnoj procjeni izloženosti.

NAPOMENA: emisija vibracija tijekom aktualnog korištenja električnog alata može se razlikovati od deklarirane vrijednosti u kojoj se alat koristi; Radi zaštite rukovatelja korisnik treba nositi rukavice i štitnike za uši u aktualnim uvjetima korištenja.

SADRŽAJ PAKIRANJA

NAZIV DIJELA	KOLIČINA
Šišač živice	1
Štitnik	1
Korisnički priručnik	1

OPIS

UPOZNAJTE SVOJ ŠIŠAČ ŽIVICE (sl. A)

- Gumb za otpuštanje baterije
- Stražnja drška
- Gumb za otključavanje
- Ručica stražnje sklopke
- Regulator brzine
- Prednja drška
- Ručica prednje sklopke
- Štitnik za ruku
- Štitnik oštrice
- Nož
- Štitnik vrha
- Jezičac
- Električni kontakti
- Montažni tor
- Mehanizam za izbacivanje
- Blokada ručke
- Kućište motora
- Štitnik

⚠ UPOZORENJE: Ovaj uređaj isporučuje se

u potpunosti sastavljen. Štitnik za ruku nikada se ne smije uklanjati za vrijeme upotrebe. Ako se ošteti, odmah ga treba zamijeniti kvalificirani tehničar servisa.

⚠ UPOZORENJE: Kako biste uređaj mogli koristiti na siguran način, morate razumjeti podatke navedene na samom alatu i u ovom korisničkom priručniku, a potrebno je imati i znanje u vezi zadatak kojeg treba izvršiti. Prije korištenja ovog proizvoda, upoznajte se sa svim radnim funkcijama i pravilima o sigurnosti.

RAD

⚠ UPOZORENJE! Nemojte dopustiti da vas poznavanje ovog proizvoda učini nepažljivim. Imajte na umu da je za nanošenje teških ozljeda dovoljan samo djelić sekunde nepažnje.

⚠ UPOZORENJE: Nosite zaštitu za oči s bočnim štitnicima i zaštitu za sluh. Nepostupanje u skladu s tim može rezultirati odbacivanjem predmeta u oči i drugim mogućim teškim ozljedama.

⚠ UPOZORENJE: Kako biste spriječili slučajno pokretanje koje bi moglo prouzročiti teške tjelesne ozljede, prije montiranja dijelova, podešavanja, čišćenja ili nekorištenja, uklonite baterijski modul iz alata.

⚠ UPOZORENJE: Nemojte koristiti priključke ili dodatnu opremu koje nije preporučila tvrtka EGOTM. Uporaba priključaka ili pribora koji nije preporučeni može dovesti do ozbiljnih tjelesnih ozljeda.

Prije svake uporabe pregledajte cijeli proizvod u pogledu oštećenja, dijelova koji nedostaju ili odvojenih dijelova kao što su vijci, matice, svornjaci, kapice i sl. Dobro pritegnite sve pričvršne elemente i kapice i ne koristite proizvod dok se svi dijelovi koji nedostaju ili oštećeni dijelovi ne zamijene.

PRIMJENA

Ovaj proizvod možete koristiti za rezanje živice, grmlja i žbunja s promjerom grana manjim od Ø 33 mm.

NAPOMENA: alat se smije koristiti samo za prethodno opisanu namjenu. Svaka druga uporaba smatra se nepropisnom uporabom.

UGRADNJA/UKLANJANJE BATERIJSKOG MODULA

Napunite prije prve uporabe.

Ugradnja (sl. B)

Poravnajte rebra baterije s utorima za postavljanje i utiskujte baterijski modul prema dolje sve dok ne začujete "klik".

Uklanjanje (sl. C)

Utisnite gumb za oslobađanje baterije i izvucite baterijski modul.

⚠ UPOZORENJE: Prije pritiska gumba za oslobađanje baterije, uvjerite se jesu li vaša stopala, djeca i domaće životinje na sigurnoj udaljenosti. Ako baterijski modul ispadne, može doći do teških ozljeda. NEMOJTE vaditi baterijski modul kada ste u povišenom položaju.

POKRETANJE/ZAUSTAVLJANJE ŠIŠAČA ŽIVICE

Prije upotrebe, uklonite štitnik noža i držite šišač s obje ruke – jednom za stražnju, a drugom za prednju dršku. Nakon toga provjerite je li vam uporište uravnoteženo, stojite li uspravno i jeste li odmaknuli na pravilnu udaljenost za rezanje.

⚠ UPOZORENJE: Objе ruke držite na drškama šišača živice. Ni u kojem slučaju nemojte jednom rukom držati žbunje, a drugom upotrebljavati šišač živice. Ako se ne držite ovog upozorenja, mogli biste se teško ozlijediti.

Pokretanje

Dlanom pritisnite okidač za otključavanje, a zatim gurnite prema gore ručicu stražnje sklopke. Kada je gurnuta ručica stražnje sklopke, nastavite pritiskati ručicu prednje sklopke kako biste pokrenuli uređaj.

Zaustavljanje

Za zaustavljanje, otpustite bilo koju ručicu sklopke.

OBAVIJEST: Za rad šišača živice potrebno je pritisnuti obje ručice sklopke.

UPOTREBA ŠIŠAČA ŽIVICE

⚠ UPOZORENJE: Ako se nož zaglavi na bilo kojem električnom kabeu ili vodu, NEMOJTE DIRATI NOŽ! ON MOŽE POSTATI ELEKTRIČNO VODLJIV I TIME VRLLO OPASAN. Šišač živice nastavite držati za izoliranu stražnju dršku ili ga na siguran način položite na tlo i podalje od sebe. Prije pokušaja oslobađanja noža iz električnog voda ili kabela isključite strujno napajanje oštećenog voda ili kabela. Nepoštivanje ovog upozorenja može dovesti do teških tjelesnih ozljeda, čak i smrti.

⚠ UPOZORENJE: Držite ruke podalje od noževa kako se ne biste teško ozlijedili. Nemojte pokušavati odstraniti odrezani materijal niti nemojte držati materijal dok se noževi kreću. Prije čišćenja zaglavljenog materijala iz noževa, provjerite jesu li se noževi potpuno zaustavili i jeste li izvadili baterijski modul. Prilikom podizanja ili držanja uređaja nemojte hvatati gole rezne noževe ili rezne bridove.

⚠ UPOZORENJE: Prije svake uporabe očistite radno područje. Uklonite predmete kao što su kabeli, svjetiljke, žice i užad koji se mogu zaglaviti u reznom nožu i tako povećati opasnost od teških tjelesnih ozljeda.

⚠ UPOZORENJE: Nemojte predugo rezati bez prestanka i nemojte rezati gusto grmlje. U protivnom bi se mogli saviti i usporiti noževi, zbog čega će opasti učinkovitost rezanja.

OBAVIJEST: Kada režete novoizrasle grančice, koristite široke pokrete kao da kosite tako da grančice ulaze izravno u rezni nož. Kada režete starije raslinje, za rezanje debljih grančica bit će dovoljan pokret kao da pilite. Ako želite odrezati najprije velike grane, predlažemo da koristite ručnu pilu ili pilu za podrezivanje.

Rezanje s vrha

Koristite široki pokret. Ako rezne noževe nagnete blago prema dolje u smjeru pomicanja, postići ćete najbolje rezultate. Još bolji učinak postići ćete ako koristite uže prema kojem ćete poravnati visinu reza živice, kao što je prikazano na slici D.

Bočno rezanje

Kada šišate bočne strane živice, započnite na dnu i pomičite se prema vrhu, kako je prikazano na slici E1/ slici E2.

Radikalno rezanje

Stražnja drška šišača živice može se postaviti u pet položaja (0/±45°/±90°) izvlačenjem osigurača (sl. F1 do sl. F5). Ako je neophodan radikalni rez, postavite stražnju dršku na ±45° (sl. F2 i F4) i započnite rezanje.

⚠ UPOZORENJE: Prilikom podešavanja drške ne smije raditi rezni nož.

OBAVIJEST: Za vrijeme rada, drška uvijek mora biti okrenuta prema gore, neovisno o usmjerenju šišača živice.

Štitnik vrha

Štitnik vrha (sl. G) koristi se za zaštitu vanjskog kraja noža.

Štitnik oštrice

Vanjski dio noževa oblikova je prema štitnicima noževa (sl. H).

H-1	Nož
H-2	Štitnik oštrice

⚠ UPOZORENJE: Uvijek provjerite je li štitnik noža oštećen ili izobličen. Zamijenite ga ako je savijen ili oštećen.

ODRŽAVANJE

⚠ UPOZORENJE! Pri servisiranju koristite samo identične zamjenske dijelove. Korištenje drugih dijelova može izazvati opasnost ili prouzročiti oštećenje proizvoda. Radi osiguranja sigurnosti i pouzdanosti sve popravke treba obavljati kvalificirani servisni tehničar.

⚠ UPOZORENJE: Radi izbjegavanja teških tjelesnih ozljeda, pri čišćenju ili obavljanju podešavanja komplet baterija uvijek izvadite iz proizvoda.

ČIŠĆENJE

- Za uklanjanje ostataka sa svih otvora za zrak i s reznog noža koristite meku četku.
- Da biste uklonili smolu i druge ljepljive ostatke, poprskajte nož otapalom za smolu. Pokrenite motor kratko tako da se otapalo ravnomjerno rasporedi.
- Prebrišite površinu suhom krpom.

⚠ UPOZORENJE: Za čišćenje vašeg šišača nikada ne koristite vodu. Pri čišćenju plastičnih dijelova izbjegavajte koristiti otapala. Većina plastike podložna je oštećenju različitih vrsta komercijalnih otapala. Za uklanjanje nečistoće, prašine, ulja, masti i sl. koristite čiste krpe.

OŠTRENJE REZNOG NOŽA

1. Izvadite baterijski modul iz šišača živice.
2. Stegnite sklop noža u škripac i isturipijajte golu reznu površinu svakog zuba noža. Skinite što manje materijala.
3. Izvadite šišač živice iz škripca i prilagodite nenaoštreni nož na njegovoj drugoj otkrivenoj strani. Ponavljajte gornji postupak dok ne naoštrite sve zube noža.

NAPOMENA: Nemojte raditi sa šišačem živice s tupim ili oštećenim reznim nožem. To može uzrokovati preopterećenje i neće rezultirati zadovoljavajućim rezultatima rezanja.

PODMAZIVANJE NOŽA

Podmažite nož šišača laganim strojnim uljem nakon svake upotrebe kako bi uređaj dobro i dugotrajno radio.

Izvadite baterijski modul i položite šišač na ravnu površinu. Po rubu gornjeg noža nanosite ulje.

OBAVIJEST: Ako uređaj namjeravate koristiti dulje razdoblje, nož podmažite tijekom rezanja.

⚠ UPOZORENJE: Nemojte podmazivati šišač živice za vrijeme njegova rada.

PODMAZIVANJE PRIJENOSA

Za najbolji rad i duži vijek trajanja podmažite prijenos škara za živicu posebnom mašću (5-6 g u br. 1 i 10-12 g u br. 2) Nakon svakih 25 sati rada.

NAPOMENA: Obratite se lokalno serviseru ergo radi pomoći.

Posebno mazivo mora zadovoljavati sljedeće zahtjeve:

1. Sukladnost s DIN51818: NLGI-2 konični stupanj penetracije.
2. Sastoji se od razrjeđivača na bazi poli-ureje i sintetičkih ulja za podmazivanje.
3. Izvršna svojstva na nižim temperaturama, EP, mehaničko smicanje, abrazivna otpornost i svojstva oksidacijske stabilnosti.
4. Radna temperatura mora biti u rasponu od -40~180 °C.

TRANSPORT I SKLADIŠTENJE

- Obavezno postavite štitnik na nož prije skladištenja ili transporta šišača živice. Budite oprezni kako biste izbjegli oštre zube noža.
- Šišač živice temeljito očistite prije skladištenja.
- Šišač živice pohranite na suhom mjestu koje nije dostupno djeci.
- Držite ga dalje od korozivnih sredstava kao što su vrtna kemikalije i soli za odleđivanje.

⚠ UPOZORENJE: Nož je oštar. Prilikom rukovanja sklopom noža nosite zaštitne rukavice koje se ne klišu, za teške radne uvjete. Ne stavljajte ruke ili prste između oštrica noža ili na bilo koje mjesto gdje bi moglo doći do štipanja ili rezanja. NIKADA nemojte dodirivati nož ili servisirati uređaj dok je postavljena akumulatorska baterija.

Zaštita okoliša



Električnu opremu, punjač baterije i baterije/punjive baterije ne odlažite u otpad iz kućanstva!

Prema Europskoj Direktivi 2012/19/EU o električnoj i elektroničkoj opremi koja više nije iskoristiva i prema Europskoj Direktivi 2006/66/EZ neispravne ili iskorištene komplete baterija/baterije potrebno je sakupljati zasebno.

Ako se električni uređaji odlažu na odlagališta otpada ili deponije, opasne tvari mogu iscurjeti u podzemne vode i dospjeti u lanac ishrane, oštećujući tako vaše zdravlje i blagostanje.

OTKLANJANJE POGREŠKI

PROBLEM	UZROK	RJEŠENJE
Šišač živice ne radi.	<ul style="list-style-type: none"> ■ Komplet baterija nije učvršćen na šišač živice. 	<ul style="list-style-type: none"> ■ Pričvrstite komplet baterija na šišač živice.
	<ul style="list-style-type: none"> ■ Nema električnog kontakta između šišača i baterije 	<ul style="list-style-type: none"> ■ Izvadite bateriju, provjerite kontakte i ponovno stavite komplet baterija.
	<ul style="list-style-type: none"> ■ Komplet baterija je ispražnjen. 	<ul style="list-style-type: none"> ■ Napunite komplet baterija.
	<ul style="list-style-type: none"> ■ Baterijski modul je prevruć. 	<ul style="list-style-type: none"> ■ Izvadite baterijski modul iz alata i pričekajte da se ohladi na temperaturu ispod 67 °C.
	<ul style="list-style-type: none"> ■ Šišač živice je prevruć. 	<ul style="list-style-type: none"> ■ Otpustite obje ručice sklopke; pričekajte da se šišač ohladi na temperaturu ispod 77 °C.
	<ul style="list-style-type: none"> ■ Niste istovremeno pritisnuli obje ručice sklopke. 	<ul style="list-style-type: none"> ■ Istovremeno pritisnite ručice sklopke na prednjoj i stražnjoj dršci.
	<ul style="list-style-type: none"> ■ Nož je zaglavljen. 	<ul style="list-style-type: none"> ■ Izvadite baterijski modul iz alata, oprezno uklonite zapreku, a zatim vratite bateriju i ponovno pokrenite alat.
Prekomjerne vibracije ili buka.	<ul style="list-style-type: none"> ■ Suh ili korodiran nož. 	<ul style="list-style-type: none"> ■ Podmažite noževe prema uputama u odjeljku „PODMAZIVANJE NOŽA“ u ovom priručniku.
	<ul style="list-style-type: none"> ■ Oštrice ili držač noža su savijeni. 	<ul style="list-style-type: none"> ■ Zamijenite novim držačem noža. Za zamjenske dijelove se obratite ovlaštenom servisnom centru tvrtke EGO.
	<ul style="list-style-type: none"> ■ Savijeni ili oštećeni zupci. 	<ul style="list-style-type: none"> ■ Zamijenite novim nožem. Za zamjenu noža obratite se ovlaštenom servisnom centru tvrtke EGO.
	<ul style="list-style-type: none"> ■ Otpušteni vijci noža. 	<ul style="list-style-type: none"> ■ Zategnite vijke noža. Viličastim ključem zategnite vijak okretanjem udesno.

JAMSTVO

JAMSTVENA POLITIKA PROIZVOĐAČA EGO

Za cjelokupne uvjete jamstvene politike proizvođača EGO posjetite internetsku stranicu egopowerplus.com.

სრულად გაეცანით ინსტრუქციას!



ნაიკითხეთ და გაეცანით ინსტრუქციას

▲ არსებული რისკი! პიროვნებებმა ისეთი ელექტრული მოწყობილობებით, როგორცაა იმპლანტირებული დეფიბრილატორი, უნდა მიმართონ პირად ექიმს რჩევისთვის ამ პროდუქტის გამოყენებამდე. იმპლანტირებულ დეფიბრილატორთან უშუალო სიახლოვეს ელექტრული მოწყობილობის ოპერირებამ შესაძლოა დეფიბრილატორს ხელი შეუშალოს მუშაობაში ან გათიშოს ოგი.

▲ გაფრთხილება: ხელსაწყოს უსაფრთხოდ და გამართულად მუშაობისთვის საჭიროა მისი ყველა შეკეთება და ნაწილის შეცვლა შესრულდეს კვალიფიციური სერვისის ტექნიკოსის მიერ.

უსაფრთხოების წესის სიმბოლოები

უსაფრთხოების წესის სიმბოლოების მიზანია მიაქციოთ ყურადღება შესაძლო საფრთხეებს. ყურადღებით გაეცანით და შეისწავლეთ უსაფრთხოების წესის სიმბოლოები და მათი შესაბამისი განმარტებები. უსაფრთხოების წესის სიმბოლოების მინიმუმები თავისთავად არ ანეიტრალებს რაიმე საფრთხის არსებობის რისკს.

მოწოდებული ინსტრუქციები და გაფრთხილებები არ არიან შემთხვევის თავიდან აცილების სწორი პროცედურის შემცველები.

▲ გაფრთხილება: ხელსაწყოს გამოყენებამდე დაწვრილებით გაეცანით და შეისწავლეთ ყველა უსაფრთხოების წესი მომხმარებლის ამ ინსტრუქციაში, მათ შორის ყველა უსაფრთხოების წესის სიმბოლო როგორცაა „საშიშროება“, „გაფრთხილება“ და „ყურადღება“. ქვემოთ ჩამოთვლილი ყველა ინსტრუქციის უგულებელყოფამ შესაძლოა გამოიწვიოს ელექტრული შოკი, ხანძარი და/ან მოგაყენოთ სერიოზული პირადი ზიანი.

სიმბოლოების მნიშვნელობა

უსაფრთხოების შეტყობინების სიმბოლო: აღნიშნავს - „საშიშროება“, „გაფრთხილება“ ან „ყურადღება“. შესაძლოა გამოყენებულ იქნას სხვა სიმბოლოებთან ან პიქტოგრამებთან ერთად.

▲ გაფრთხილება: ელექტრული ხელსაწყოს გამოყენებისას შესაძლოა უცხო სხეულის თვალეების მიდამოში მოხვედრა, რამაც შესაძლოა გამოიწვიოს თვალის მნიშვნელოვანი დაზიანება. ელექტრული ხელსაწყოს გამოყენებამდე აუცილებლად მორიგეთ უსაფრთხოების თვალსაფარ ან სათვალე მყარი თვალის დამცავებით და მთლიანი სახის ეკრანით. ჩვენ რეკომენდაციას ვუწევთ ფართო ხედვის არის მქონე უსაფრთხოების ნიღაბს სათვალეებთან ერთად ან სტანდარტულ გვერდითა ეკრანების მქონე უსაფრთხოების სათვალეებს.

უსაფრთხოების წესის ინსტრუქცია

ეს გვერდი აჩვენებს და აღწერს იმ უსაფრთხოების წესის სიმბოლოებს, რომლებიც შესაძლოა აღბეჭდილია მოცემულ პროდუქტზე. წაიკითხეთ, შეისწავლეთ და მიყევით ხელსაწყოს ყველა ინსტრუქციას მის აწყობამდე და ჩართვამდე.

KA

	უსაფრთხოების ნიშანი	აღნიშნავს შესაძლო პირადი ზიანის საფრთხეს.
	გაეცანით მომხმარებლის ინსტრუქციას	დაზიანების რისკის შესამცირებლად მომხმარებელმა უნდა წაიკითხოს ხელსაწყო მუშაობის ინსტრუქცია.
	არ მოათავსოთ ხელსაწყო წვიმის ქვეშ	გაფრთხილება: არ გამოიყენოთ წვიმაში ან დატოვოთ გარეთ წვიმის დროს.
	დანის სიგრძე	დანის სიგრძე
	ჭრის უნარი	დანის მაქს. ჭრის უნარი
V	ვოლტი	მაბეა
A	ამპერი	დენი
Hz	ჰერცი	სიხშირე (ბრუნთა რიცხვი წამში)
W	ვატი	სიმძლავრე
min	წუთი	დრო
	ცვლადი დენი	დენის ტიპი
	მუდმივი დენი	დენის ტიპი ან სახე
n_0	დაუტვირთავი ბრუნვის სიჩქარე	დაუტვირთავი ბრუნვის სიჩქარე
.../min	წუთში	ბრუნთა რიცხვი წუთში
SPM	სვლათა რიცხვი წუთში	დაუტვირთავი სვლის სიჩქარე

ელექტრული ხელსაწყოების უსაფრთხოების ზოგადი მაჩვენებლები

⚠ გაფრთხილება: გაეცანით ყველა უსაფრთხოების მითითებას და ინსტრუქციას. მითითებების და ინსტრუქციების უგულვებელყოფამ შესაძლოა გამოიწვიოს ელექტრული შოკი, ხანძარი და/ან მოგაყენოთ სერიოზული ზიანი.

შეინახეთ ყველა მითითება და ინსტრუქცია სამომავლოდ გამოყენებისთვის.

ტერმინი „ელექტრული ხელსაწყო“ უსაფრთხოების ინსტრუქციაში შეესაბამება ქსელიდან (სადენით) ან აკუმულატორით (უსადენო) მიღებულ დენზე მომუშავე ელექტრულ ხელსაწყოს.

სამუშაო არეს უსაფრთხოება

- დაიცავით სამუშაო არის სისუფთავე და იქონიეთ კარგი განათება. ჩახურგილი ან ბნელი სამუშაო არე იწვევს ანციდენტებს.
- არ ამუშაოთ ელექტრული ხელსაწყო ჰაერში ფეთქებადი საშუალებების არსებობისას, როგორცაა აალებადი სითხეები, აირები ან მტვერი. ელექტრული ხელსაწყოები წარმოქმნიან ნაპერწკალს, რომელმაც შესაძლოა აანთოს მტვერი ან აირი.
- ელექტრული ხელსაწყოთი სარგებლობისას მოარიდეთ მას ზავშვები და სხვა პირები. ყურადღების გაფანტვას შეუძლია გამოიწვიოს ხელსაწყოზე კონტროლის დაკარგვა.

ელექტრული უსაფრთხოება

- ელექტრული ხელსაწყოების დენის ჩანგალი უნდა ერგებოდეს შტეფსელს. არასოდეს გაუკეთოთ მოდიფიცირება ხელსაწყოების დენის ჩანგალს. არ გამოიყენოთ ადაპტორები ისეთი ხელსაწყოების დენის ჩანგალზე, რომელსაც აქვს დამიწება. არსებული დენის ჩანგალი და მისი შესაბამისი შტეფსელის არსებობა ამცირებს ელექტრული შოკის რისკს.

- მოერიდეთ სხეულით დამიწებულ საგნების ზედაპირებთან კონტაქტს, როგორცაა მიღები, რადიატორები, ქურები და მაცივრები. ელექტრული შოკის მიღების რისკი იზრდება თუ თქვენი სხეული დამიწებულია.
- არ დატოვოთ ელექტრული ხელსაწყოები წვიმაში ან სველ ადგილას. ელექტრულ ხელსაწყოში შესული წყალი ზრდის ელექტრული შოკის მიღების რისკს.
- არ დაზიანოთ დენის სადენი. არასოდეს გამოიყენოთ სადენი ხელსაწყოთა სატარებლად, მოსაქაჩად ან შტეფსელიდან ამოსართველად. დაიცავით დენის სადენი სიმზურვალისა, ზეთისგან, მჭრელი და მოძრავი საგნებისგან. დაზიანებული ან გადახლართული დენის სადენი ზრდის ელექტრული შოკის რისკს.
- ელექტრული ხელსაწყოთა გარეთ სარგებლობისას გამოიყენეთ დამაგრებლებელი, რომელიც გამოსადეგია გარეთ მუშაობისთვის. გარეთ მუშაობისთვის შესაბამისი ელექტრული სადენის გამოყენება ამცირებს ელექტრული შოკის რისკს.
- თუ ელექტრული ხელსაწყოთა ნესტიან გარემოში მუშაობა გარდაუვალია, გამოიყენეთ დიფერენციალური დაცვის მქონე (RCD) კვების წყარო. დიფერენციალური RCD დაცვის გამოყენება ამცირებს ელექტრული შოკის რისკს.

პირადი უსაფრთხოება

- ხელსაწყოთა გამოყენებისას იყავით ფიზიკურად, იმოქმედეთ დაკვირვებით და საღი აზრის გათვალისწინებით. არ გამოიყენოთ ხელსაწყო როდესაც ხართ დაღლილი, ან ალკოჰოლის, მედიკამენტების ან ნარკოტიკების ზემოქმედების ქვეშ. ხელსაწყოთა სარგებლობისას მყისიერმა უყურადღებობამ შეიძლება მოგაყენოთ სერიოზული პირადი ზიანი.

- გამოიყენეთ პირადი დამცავი საშუალებები. ყოველთვის გაიკეთეთ თვალების დამცავი. შესაბამისი სამუშაო პირობებში დამცავი საშუალებების გამოყენება, როგორცაა მტვრის საწინააღმდეგო ნიღაბი, მოცურების საწინააღმდეგო სპეც ფეხსაცმელი, მყარი ჩაფხუტი ან სენის დამცავი, ამცირებს სამუშაო ტრამვეს.
- უცაბედი ჩართვის აღკვეთა. დარწმუნდით რომ ჩამრთველი არის გამორთულ პოზიციამდე ხელსაწყოთა დენში და/ან აკუმულატორთან მიერთებამდე, ხელსაწყოთა მალა აწვეამდე ან ტარებამდე. ელექტრული ხელსაწყოების ტარება ჩამრთველის დილაკზე დადებული თითით ან ხელსაწყოთა დენში მიერთება, რომელსაც გააქტიურებული აქვს ჩართვის დილაკი, იწვევს ინციდენტებს.
- მოხსენით ნებისმიერი დამაგრებული მარეგულირებელი ხელსაწყოთა ან ქანჩის გასაღები ჩართვამდე. ელექტრული ხელსაწყოთა მბრუნავ ნაწილზე დამაგრებულმა ქანჩის გასაღებმა ან სხვა მარეგულირებელმა შესაძლოა მოგაყენოთ პირადი ზიანი.
- არ გადახსნათ. ყოველთვის დაიცავით ბალანსი და მყარად იდებთ ფეხზე. ეს გაძლევთ საშუალებას მოახდინოთ ხელსაწყოთა უკეთესი კონტროლი მოულოდნელ სიტუაციებში.
- ჩაიცვით შესაბამისად. არ ჩაიცვათ განიერი, ფრიალა ტანსაცმელი და ძვირფასეულობა. მთავილეთ თქვენი თმა, ტანსაცმელი და ხელთათმანები მოძრავ ნაწილებს. განიერი, ფრიალა ტანსაცმელი, ძვირფასეულობა და თმა შესაძლოა ჩაითიოს მოძრავმა ნაწილებმა.
- თუ არსებობს მტვრის ან ნარჩენების შემგროვებელი საშუალებების შეერთების ადგილები, დარწმუნდით რომ ისინი სწორადაა დაკავშირებული და გამოყენებული. მტვრისთვის განკუთვნილი საშუალებების გამოყენებამ შესაძლოა შეამციროს მასთან დაკავშირებული საფრთხეები.

KA

ელექტრული ხელსაწყოთა გამოყენება და მოვლა

- არ დაატანოთ ძალა ხელსაწყოს. გამოიყენეთ სწორი ხელსაწყო თქვენი მიზნებისთვის. სწორი ხელსაწყო უკეთ და უფრო უსაფრთხოდ გააკეთებს იმ საქმეს, რომლისთვისაც განკუთვნილია იგი.
- არ გამოიყენოთ ხელსაწყო თუ ჩამრთველი არ რთავს ან თიშავს მას. ნებისმიერი ხელსაწყო, რომელიც ვერ კონტროლდება ჩამრთველით, სახიფათოა და საჭიროებს შეკეთებას.
- გათიშეთ დენის ჩანგალი შტეფსელიდან და/ან მოხსენით აკუმულატორი ხელსაწყოს ნებისმიერი რეგულირებისას, ნაწილის ცვლილებისას ან ხელსაწყოს შენახვამდე. მსგავსი პრევენციული უსაფრთხოების ზომები ამცირებს ელექტრული ხელსაწყოთა უცაბედი ჩართვის რისკს.
- გათიშული ელექტრული ხელსაწყოები შეინახეთ ზედაპირის მიუყვდომელ ადგილას და არ მისცეთ ხელსაწყოს გამოყენების უფლება მისით სარგებლობის არმცოდნე ან მის ინსტრუქციაში ჩაუხედავ პირებს. ელექტრული ხელსაწყოები გამოუცდელი პირების ხელში სახიფათოა.
- მოუარეთ ელექტრულ ხელსაწყოს. შეამოწმეთ მოძრავი და შემაკავშირებელი ნაწილების ურთიერთწანაცვლება, ნაწილების დაზიანება და სხვა მდგომარეობა, რომელმაც შეიძლება გავლენა იქონიოს ხელსაწყოთა მუშაობაზე. დაზიანების შემთხვევაში შეაკეთეთ ხელსაწყო გამოყენებამდე. ბევრი ინციდენტი გამოწვეულია ცუდად მოვლილი ელექტრო ხელსაწყოების გამო.
- მჭრელი ხელსაწყოები იქონიეთ სუფთა და ბასრ მდგომარეობაში. სწორად მოვლილი ბასრი დანის პირის მქონე მჭრელი ხელსაწყოების გახლართვა ნაკლებად ალბათურია და მათი კონტროლიც გადავიღებულა;

- გამოიყენეთ ეს ხელსაწყო, მისი ნაწილები, მათი დამჭერები და ა.შ. ინსტრუქციის მიხედვით, სამუშაო გარემოს და სამუშაოს ტიპის გათვალისწინებით. ელექტრული ხელსაწყოთა არადანაშნულობისამებრ გამოყენებამ შესაძლოა შექმნას სახიფათო სიტუაცია.

აკუმულატორის გამოყენება და მოვლა

- დატენეთ მხოლოდ მწარმოებლის მიერ მითითებული დამტენი მოწყობილობით. დამტენმა მოწყობილობამ, რომელიც თავსებადია ერთი ტიპის აკუმულატორთან, შესაძლოა წარმოშვას ხანძრის გაჩენის რისკი სხვა აკუმულატორზე გამოყენებისას.
- გამოიყენეთ ელექტრული ხელსაწყოები მხოლოდ სპეციალურად აღნიშნული აკუმულატორებით. სხვა აკუმულატორების გამოყენებამ შესაძლოა წარმოშვას ფიზიკური დაზიანების ან ხანძრის რისკი.
- როდესაც აკუმულატორს არ იყენებთ, მოაცილეთ იგი ლითონის საგნებს, როგორცაა ქაღალდის კლიბი, მონეტა, გასაღები, ლურსმანი, ხრახნი ან სხვა მცირე ზომის ლითონის საგნები, რომელთაც შეუძლიათ აკუმულატორის კონტაქტების დამოკლება. აკუმულატორის კონტაქტების დამოკლებამ შესაძლოა გამოიწვიოს დამწვრობა ან ხანძარი.
- არასწორი მოპყრობის შემთხვევაში სითხემ შესაძლოა გამოიწვიოს აკუმულატორიდან; მოერიდეთ მასთან შეხებას. თუ შემთხვევით შეეხეთ სითხეს, ჩამოიხანეთ წყლით. თუ სითხე მოხვდა თვალებში, მიმართეთ ექიმს. აკუმულატორიდან გამოიწვიოს სითხემ შესაძლოა გამოიწვიოს გაღიზიანება ან დამწვრობა.

ტექნიკური სერვისი

- ხელსაწყოთა ტექნიკური სერვისის შესარულებინეთ კვალიფიციურ პირს მხოლოდ იდენტიური სათადარიგო ნაწილების გამოყენებით. მსგავსი პროცედურა უზრუნველყოფს ხელსაწყოთა უსაფრთხო მუშაობას.

ბუჩქის საკრეჭის უსაფრთხოების მითითებები

- **მთარიდეთ სხეულის ყველა ნაწილი საკრეჭ დანას. არ მოაცილოთ ხერხს მოჭრილი საგნები ან ხელით დაიჭიროთ გასაჭრელი საგნები, როცა დანები მოძრაობის პროცესშია.** დარწმუნდით რომ ჩამრთველი არის გათიშულ მდგომარეობაში გაჭედით სხეულების მოცილებამდე. ბუჩქის საკრეჭით სარგებლობისას მყისიერმა უყურადღებობამ შეიძლება მოგაყენოთ სერიოზული პირადი ზიანი.
- **ატარეთ ბუჩქის საკრეჭი თავისი სახელურით, გაჩერებული მჭრელი დანით.** როდესაც ახდენთ ბუჩქის საკრეჭის შენახვას ან ტრანსპორტირებას, ყოველთვის მოაცივთ საკრეჭ ნაწილს დამცავი შალითა. ბუჩქის საკრეჭის სწორი მოპყრობა შეამცირობს მჭრელი დანიდან მიღებულ შესაძლო პერსონალურ ფიზიკურ ზიანს.
- **დაიჭიროთ ელექტრული ხელსაწყო მხოლოდ იზოლირებული ხელჩასაკიდი ადგილებით, რადგან მჭრელი დანა შესაძლოა შეეხოს ფარულ დენის სადენს.** საჭრელი დანები, რომელიც შეეხება დენის გამტარ სადენს, თავადაც ხდის ხელსაწყო შიშველ ლითონის ნაწილებს გამტარს და შესაძლოა გამოიწვიოს მომხმარებლის ელექტრული შოკი.
- **მთარიდეთ სადენები სამუშაო არეს.** მუშაობისას სადენი შესაძლოა დამალული იყოს ბუჩქში და შემთხვევით გაიჭრას დანის მიერ.
- **სამუშაოს დაწყებამდე შეამოწმეთ ბუჩქი დამალულ საგნებზე, როგორცაა მავთულის ღობე.**
- **ბუჩქის საკრეჭი მხოლოდ სწორად დამაგრებული დამცავი ეკრანით გამოიყენეთ.** ბუჩქის საკრეჭის გამოყენებამ შესაბამისი დამცავი ეკრანის გარეშე შეიძლება მოგაყენოთ სერიოზული პირადი ზიანი.

- **გამოიყენეთ ორივე ხელი ბუჩქის საკრეჭით სარგებლობისას.** ხელსაწყო ერთი ხელით სარგებლობამ შესაძლოა დაგაკარგინოთ კონტროლი მასზე და მოგაყენოთ სერიოზული პირადი ზიანი.

▲ გაფრთხილება: შეამოწმეთ ბუჩქი უცხო სხეულებზე მუშაობის დაწყებამდე, როგორცაა მავთულის ღობე. ბუჩქის საკრეჭი მხოლოდ სწორად დამაგრებული დამცავი ეკრანით გამოიყენეთ. ბუჩქის საკრეჭის გამოყენებამ შესაბამისი დამცავი ეკრანის გარეშე შეიძლება მოგაყენოთ სერიოზული პირადი ზიანი.

მნიშვნელოვანი უსაფრთხოების ინსტრუქციები

- არ გამოიყენოთ აკუმულატორზე მომუშავე ბუჩქის საკრეჭი წვიმამში.
- არ დატენოთ აკუმულატორი წვიმამში ან სველ არეში.
- გამოიყენეთ მხოლოდ ის აკუმულატორის ბლოკები და დამტენები, რომლებიც მითითებულია სურ. A-ში
- არ ჩაჭიდოთ ხელი მოშობილ ბუჩქს მჭრელ დანებს ან მჭრელ ზედაპირებს, როდესაც ბუჩქის საკრეჭს სწევთ მაღლა ან გიჭირავთ იგი.
- არ გამოიყენოთ კიბე, სახურავი, ხე ან სხვა ტიპის არამდგრადი საყრდენები. მყარად დგომა სტაბილურ ზედაპირზე გაძლევეთ საშუალებას მოახდინოთ ხელსაწყო უკეთესი კონტროლი მოულოდნელ სიტუაციებში.
- არასდროს მისცეთ ბავშვებს ბუჩქის საკრეჭით სარგებლობის უფლება.
- არასდროს მოხსნათ ან შეცვალოთ ხელსაწყო უსაფრთხოების საშუალებები. რეგულარულად შეამოწმეთ მათი მართებული მუშაობა. არასოდეს შეუშალოთ ხელი ხელსაწყო უსაფრთხოების საშუალებას შეასრულოს განკუთვნილი ფუნქცია ან შეამციროთ უსაფრთხოების ხელსაწყო დაცვის დონე.

KA

- არასოდეს გამოიყენოთ ბუჩქის საკრეკი შესაბამისად განლაგებული დამცავი ეკრანების, ფილების ან სხვა უსაფრთხოების საშუალებების გარეშე.
- ბუჩქის საკრეკის გამოყენებამდე შეამოწმეთ დაზიანებული ნაწილები. დამცავი ეკრანი ან სხვა ნაწილი, რომელიც დაზიანებულია საყურადღებოდ უნდა შემოწმდეს, რათა დადგინდეს მუშაობა თუ არა მას თავისი ფუნქციის ჯეროვნად შესრულება. შეამოწმეთ მოძრავი ნაწილების მდებარეობა, მათი შეკავშირება, დამორება, დამაგრება და სხვა მდგომარეობა, რომელმაც შეიძლება გავლენა იქონიოს ხელსაწყო მუშაობაზე. ეკრანის ან სხვა დაზიანებული ნაწილის შეკეთება ან შეცვლა უნდა შესრულდეს ავტორიზირებული სერვისის ცენტრის მიერ, გარდა იმ შემთხვევებისა რომელიც აღწერილია ინსტრუქციაში.
- შეამოწმეთ დანის და მოტორის სამაგრი ჭანჭიკები სათანადო დაჭერაზე რეგულარული ინტერვალებით. ასევე ვიზუალურად შეამოწმეთ დანა დაზიანებაზე (ანუ გაღუნვა, გაბზარვა და გაცვეთაზე). დანა შეცვალეთ მხოლოდ EGOTM წარმოების დანით.
- შეცვალეთ დანა თუ ის გაღუნული ან გაბზარულია. არაბალანსირებული დანა იწვევს ვიბრაციებს, რამაც შესაძლოა დააზიანოს მოტორის სავალი ნაწილი ან მოგაყენოთ პირადი ზიანი.
- თუ ხელსაწყო დაიწყებს უჩვეულო ვიბრაციას, გაითიშეთ მოტორი და შეამოწმეთ ვიბრაციის მიზეზი. ვიბრაცია როგორც წესი არის დაზიანების მომასწავებელი.
- **საკრეკის გამოყენება შესაძლოა ისეთი ღეროების მოსაჭრელად, რომელთა სისქე 22 მმ-ზე მცირეა.**
- ისარგებლეთ ხელსაწყოთი მხოლოდ დღის სინათლეზე ან კარგი ხელოვნური განათების პირობებში.
- მოხსენით ან ამორთეთ აკუმულატორი, სანამ შეუდგებოდით ბუჩქის საკრეკის ტექნიკური სერვისის, წმენდის ან ნარჩენების მოცილების პროცესს.

- არ გარეცხოთ ხელსაწყო წყლის მილით; მოერიდეთ მოტორში და ელექტრულ შეერთებებში წყლის მოხვედრას.
- ტექნიკური სერვისისას გამოიყენეთ მხოლოდ მომხმარებლის ინსტრუქციაში აღწერილი იდენტური სათადარიგო ნაწილები. ისეთი ნაწილების გამოყენებამ, რომლებიც არ აკმაყოფილებენ ორიგინალური ნაწილების სპეციფიკაციებს, შესაძლოა გამოიწვიოს ხელსაწყო არასათანადო მუშაობა და შეამციროს უსაფრთხოება.
- მისდით შეხეთვის და ნაწილების შეცვლის ინსტრუქციებს.
- იქონიეთ სახელურები მშრალ და სუფთა, მათ შორის ცხიმისა და ზეთისგან, მდგომარეობაში.
- შეინახეთ ეს მომხმარებლის ინსტრუქცია. გამოიყენეთ მომხმარებლის ინსტრუქცია და მიუთითეთ სხვებს, ვისაც სურს ხელსაწყო გამოიყენება, გაცნონ მას. თუ ათხოვებთ ხელსაწყო სხვა პირს, ასევე ათხოვთ მას ეს მომხმარებლის ინსტრუქცია, რათა აღკვეთოთ ხელსაწყო არასათანადო გამოყენება და შესაძლო ზიანი.

შეინახეთ ეს მომხმარებლის ინსტრუქცია!

სპეციფიკაციები

მოდელი	HT5100E	HT6500E	
მაბჯა	56 ვოლტი	56 ვოლტი	
დაუტვირთ-ავი ბრუნვის სიჩქარე	მა- ლა- ლი	1600 /ზრ/ წთ	1600 /ზრ/ წთ
	და- ბა- ლი	1400 /ზრ/ წთ	1400 /ზრ/ წთ

KA

რეკომენდირებული საექსპლუატაციო ტემპერატურა:	0°C-40°C		
რეკომენდირებული დასაწყობების ტემპერატურა:	-20°C-70°C		
დანის სიგრძე	51 სმ	65 სმ	
ჭრის უნარი	33 მმ	33 მმ	
წონა (აკუმულატორის გარეშე)	3.6 კგ	3.8 კგ	
გაზომილი ხმის სიმძლავრის დონე L_{WA}	90 dB(A) K=1.55 dB(A)	91.45 dB(A) K=1.08 dB(A)	
ბგერის წნევის დონე მომხმარებლის პოზიციაზე L_{PA} K=2.5 dB(A)	81.5 dB(A)	81.4 dB(A)	
გარანტირებული ხმის სიმძლავრის დონე L_{WA} (2000/14/EC რეგულაციის მიხედვით)	92 dB(A)	93 dB(A)	
ვიბრაცია a_h K=1.5 მ/წმ ²	წინა სახელ- ური	3.369 მ/წმ ²	5.313 მ/წმ ²
	უკანა სახელ- ური	1.876 მ/წმ ²	3.115 მ/წმ ²

- მითითებული ვიბრაციის სრული მნიშვნელობა გაზომილია სტანდარტული ტესტირების მეთოდით და შესაძლოა გამოყენებულ იქნას ერთი ხელსაწყოს მეორესთან შედარებისას.
- მითითებული ვიბრაციის სრული მნიშვნელობა ასევე შესაძლოა გამოყენებულ იქნას ზემოქმედების პირველადი შეფასებისას.

შენიშვნა: ელექტრული ხელსაწყოთა ვიბრაციის ემისია გამოყენებისას შესაძლოა განსხვავდებოდეს მითითებული ოდენობისგან; მომხმარებელმა ხელსაწყოთა სარეგლობისას საჭიროა გამოიყენოს ხელთათმანები და ყურის დამცავი საშუალებები.

შეთუთვის ჩამონათვალი

ნაწილის დასახელება	რაოდენობა
ბუჩქის საკრეჭი	1
დამცავი ეკრანი	1
მომხმარებლის ინსტრუქცია	1

აღწერა

შეისწავლეთ თქვენი ბუჩქის საკრეჭი (ნახ. A)

- აკუმულატორის მოხსნის ღილაკი
- უკანა სახელური
- ჩამკეტი ტრიგერი
- უკანა ჩამრთველი ბერკეტი
- სიჩქარის მარეგულირებელი გადამრთველი
- წინა სახელური
- წინა ჩამრთველი ბერკეტი
- ხელის დამცავი ეკრანი
- დანის დამცავი ეკრანი
- დანა
- წვერის დამცავი
- ჩამკეტი
- ელექტრული კონტაქტები
- დასამაგრებელი ნასვრეტი
- ამოგდების მექანიზმი
- სახელურის ჩამკეტი
- მოტორის ბუდე
- დამცავი ეკრანი

⚠ გაფრთხილება: ეს ხელსაწყო ბოლომდე აწყობილ მდგომარეობაშია. ხელის დამცავი ეკრანის მოხსნა მუშაობისას დაუშვებელია. მისი დაზიანების შემთხვევაში დაუყოვნებლივ შეაჩვენებთ კვალიფიციურ სერვისის ტექნიკოსს

▲ გაფრთხილება: ამ ხელსაწყოს უსაფრთხო გამოყენება საჭიროებს მის შესახებ ინფორმაციისა და მომხმარებლის ინსტრუქციის გაცნობას, ასევე იმ სამუშაოს ცოდნას, რომლის შესრულებასაც აპირებთ. ხელსაწყოს გამოყენებამდე კარგად გაეცანით მის მუშა ფუნქციებს და უსაფრთხოების წესებს.

გამოყენება

▲ გაფრთხილება: შეეცადეთ მსგავსი პროდუქტის გამოყენების გამოცდილებამ არ გამოიწვიოს თქვენი უგულისყურობა. დაიმახსოვრეთ რომ უგულისყურობამ წამის მგათედშიც კი შესაძლოა მოგიტანოთ სერიოზული ზიანი.

▲ გაფრთხილება: ყოველთვის მორგეთ გვერდითა ეკრანების მქონე უსაფრთხოების სათვალე და სმენის დამცავი საშუალება. ამ ინსტრუქციის უგულებელყოფამ შესაძლოა გამოიწვიოს სხვადასხვა სხეულის თვალში მოხვედრა და სხვა შესაძლო სერიოზული ზიანი.

▲ გაფრთხილება: უცაბედი ჩართვის გამოსარიცხად, რომელმაც შესაძლოა გამოიწვიოს სერიოზული პერსონალური ზიანი, ყოველთვის მოხსენით აკუმულატორი ხელსაწყოს, როდესაც ხდება მისი აწყობა, რეგულირება, წმენდა ან როდესაც არ ხდება ხელსაწყოს გამოყენება.

▲ გაფრთხილება: არ გამოიყენოთ სხვა ნებისმიერი ნაწილი, რომელიც არაა რეკომენდირებული EGO™-ს მიერ. არარეკომენდირებული ნაწილის გამოყენებამ შესაძლოა მოგაყენოთ სერიოზული ზიანი.

ყოველი გამოყენების წინ შეამოწმეთ ხელსაწყოს შესაძლო დაზიანებული, დაკარგული ან მოშვებული ნაწილები, როგორცაა ხრახნები, ქანჩები, ჭანჭიკები, ხუფები და ა.შ. მჭიდროდ დაუჭირეთ ყველა სამაგრი და ხუფი და არ ამუშაოთ ხელსაწყო, სანამ ყველა დაკარგული ან დაზიანებული ნაწილი არ შეიცვლება.

გამოყენება

თქვენ შეგიძლიათ ამ ხელსაწყოს გამოყენება ბუჩქოვანი ღობის, ჩირგვების და ბუჩქების გასაკრეპად, რომელთა ტოტების დიამეტრი 033 მმ-ზე ნაკლებია.

შენიშვნა: ხელსაწყოს გამოყენება შესაძლებელია მხოლოდ დანიშნულებისამებრ. სხვა ნებისმიერი სარგებლობა ჩათვლება როგორც არამიზნობრივი გამოყენების შემთხვევა.

აკუმულატორის დამონტაჟება/მოსხნა დატენვით პირველ ჯერზე სარგებლობამდე. დასამონტაჟებლად (ნახ. B)

გაუსწორეთ აკუმულატორის სამაგრები ბუდის ნასვრეტებს და დააწეით აკუმულატორს, სანამ არ გაიგებთ „წკაკ“ ხმა.

მოსასხნელად (ნახ. C)

დააჭირეთ აკუმულატორის გამშვებ ღილაკს და ამოიღეთ აკუმულატორი.

▲ გაფრთხილება: ყოველთვის შეამოწმეთ თქვენი ფეხების, ზავშვების ან შინაური ცხოველების მდებარეობა აკუმულატორის გამშვები ღილაკის დაჭერისას. აკუმულატორის დაცვამ შესაძლოა გამოიწვიოს სერიოზული ფიზიკური ზიანი. არასდროს მოხსნათ აკუმულატორი სიმძლავრეზე.

ბუჩქის საკრეპის ჩართვა/გამორთვა

საკრეპით სარგებლობამდე დაიჭირეთ ის ორივე ხელით, მოათავსეთ ერთი ხელი უკანა სახელურზე, ხოლო მეორე - წინა სახელურზე. დარწმუნდით რომ დგახართ მყარად ფეხზე, უსაფრთხოდ და იცავით კრეპვისას სწორ დისტანციას.

▲ გაფრთხილება: ყოველთვის გეჭიროთ ბუჩქის საკრეპი ორივე ხელით სახელურებზე. არასოდეს დაიჭიროთ ბუჩქი ერთი ხელით და მეორეთი - საკრეპი. ამ ინსტრუქციის უგულებელყოფამ შეიძლება მოგაყენოთ სერიოზული ფიზიკური ზიანი.

ჩასართავად

დააჭირეთ ჩამკეტ ტრიგერს ხელისგულით და შემდეგ უკანა ჩამრთველს. დაჭირილი უკანა ჩამრთველით, დააწეით წინა ჩამრთველს ხელსაწყოს ჩასართავად.

გამოსართველად

გაუშვით ხელი რომელიმე ამ ბერკეტს ხელსაწყოს გასაჩერებლად.

შენიშვნა: ორივე ჩამრთველი ბერკეტი უნდა იყოს დაჭერილ მდგომარეობაში ხელსაწყოს ჩასართავად.

ბუჩქის საკრეჭის გამოყენების წესი

▲ ფაფრთხილება: თუ დანა გაიჭედება რაიმე დენის სადენსა ან ხაზში, ხელი არ მოვიდოთ მას! ის შესაძლოა გახდეს დენის გამტარი და ძალიან სახიფათო. ხელი მოვიდეთ მხოლოდ ბუჩქის საკრეჭის იზოლირებულ უკანა სახელურს ან ფრთხილად და უსაფრთხოდ დადეთ მიწაზე თქვენგან მოშორებით. გათიშეთ დაზიანებული ხაზის ან სადენის დენის წყარო სანამ შეეცდებით დანის გამოხსნას. ჩამოთვლილი ინსტრუქციების უგულვებლყოფა გამოიწვევს სერიოზული ფიზიკურ ზიანს და შესაძლო სიკვდილს.

▲ ფაფრთხილება: სერიოზული პერსონალური ზიანისგან თავის არიდების მიზნით ხელები დაიჭირეთ დანისგან შორს. არ შეეცადოთ მოაცილოთ დანას მოჭრილი საგნები ან ხელით დაიჭიროთ გასაჭრელი საგნები, როცა დანა მოძრაობის პროცესშია. დარწმუნდით რომ დანა სრულიად გაჩერდა და აკუმულატორი მოხსნილია, სანამ შეეცდებით გაჭედილი საგნებისგან მის გასუფთავებას. არ ჩაჭიდოთ ხელი მოშინებულ მჭრელ დანებს ან მჭრელ ზედაპირებს, როდესაც ხელსაწყოს სწევთ მაღლა ან გიჭირავთ იგი.

▲ ფაფრთხილება: გაასუფთავეთ სამუშაო არე მუშაობის დაწყებამდე. მოაცილეთ ყველა ობიექტი როგორცაა სადენი, განათება, თოკი ან ბაწარი, რომელიც შესაძლოა დაეხვიოს ხელსაწყოს საჭრელ ნაწილს და შექმნას პირადი ზიანის მიღების რისკი.

▲ ფაფრთხილება: მოერიდეთ ერთ ჯერზე ბევრის მოჭრას ან ხშირი ბუჩქნარის გაკაფვას. ამან შესაძლოა გამოიწვიოს დანის გახლართვა და შენელება, რაც შეამცირებს ჭრის ეფექტურობას.

შენიშვნა: ნორჩი მცენარეებისთვის ხელსაწყოს ფართო მოძრაობით მისაღება ტოტების საკრეჭის მიერ პირდაპირ მოჭრა. მეტად ასაკოვანი ნაზარდისთვის, ხერხვის ტიპის მოძრაობა მეტად მისაღება მსხვილი ტოტების მოჭრისთვის. დასაწყისში არაელექტრული ხელის ხერხის ან გამსხვი ხერხის გამოყენება რეკომენდირებულია მსხვილი ტოტების მოსაჭრელად.

ზევიდან ჭრა

გამოიყენეთ ფართო ჭრის მოძრაობა. მოძრაობის მიმართულებით საჭრელი დანის ოდნავი დახრა იძლევა საუკეთესო ჭრის რეზულტატებს. უკეთესი ჭრის ეფექტისთვის შესაძლებელია ბაწრის გამოყენება, ბუჩქზე ჭრის მიმართულების საჩვენებლად როგორც ნახ. G არის მითითებული.

გვერდული ჭრა

ბუჩქის გვერდების გაკრეჭისას დაიწყეთ ქვედა ნაწილიდან და აჭირეთ ზედა მიმართულებით, როგორც ნაჩვენებია ნახ. E1 და ნახ. E2.

მკვეთი ჭრა

ბუჩქის საკრეჭის უკანა სახელური შესაძლებელია დაეყენდეს ხუთ პოზიციებში ($0^\circ/\pm 45^\circ/\pm 90^\circ$) საკეტის ამოწევი (ნახ. F1-დან ნახ. F5 ჩათვლით). თუ მკვეთრი განაკვეთი არის საჭირო, დააყენეთ უკანა სახელური $\pm 45^\circ$ მდგომარეობაში (ნახ. F2 და F4).

▲ ფაფრთხილება: როდესაც ხდება სახელურის რეგულირება, მჭრელი დანა არ უნდა მოძრაობდეს.

შენიშვნა: მუშაობის პროცესში სახელური უნდა იყოს ყოველთვის ზედა მდგომარეობაში მიუხედავად იმისა თუ რა მიმართულებით ჭრის ხელსაწყო.

KA

წვერის დამცავი

წვერის დამცავი (ნახ. G) გამოიყენება დანის გარეთა ბოლოს დასაცავად.

დანის დამცავი ეკრანი

დანის გარეთა ნაწილებს აქვთ დანის დამცავი ეკრანის ფორმა (ნახ. H).

H-1	დანა
H-2	დანის დამცავი ეკრანი

⚠ გაფრთხილება: ყოველთვის დარწმუნდით რომ დანის დამცავი ეკრანი არ არის დაზიანებული ან ფორმა შეცვლილი. შეცვალეთ ის თუ გაღუწული ან დაზიანებულია.

ექსპლუატაცია

⚠ გაფრთხილება: ტექნიკური სერვისისას გამოიყენეთ მხოლოდ იდენტური სათადარიგო ნაწილები. სხვა ნებისმიერი ნაწილის გამოყენებამ შესაძლოა შექმნას საფრთხე ან გამოიწვიოს ხელსაწყო დაზიანება. ხელსაწყო უსაფრთხოდ და გამართულად მუშაობისთვის საჭიროა მისი ყველა შეკეთება და ნაწილის შეცვლა შესრულდეს კვალიფიციური სერვისის ტექნიკოსის მიერ.

⚠ გაფრთხილება: გაფრთხილება: სერიოზული პერსონალური ზიანისგან თავის არიდების მიზნით ყოველთვის მოხსენით აკუმულატორი ხელსაწყო როდესაც წმინდავთ მას ან უტარებთ რაიმე ტიპის სერვისს.

განმეორება

- გამოიყენეთ რბილი ფუნჯი რათა მოაცილოთ ნარჩენი საჰაერო ბსა და საჭრელ დანას.
- კუპრის ან სხვა წებოვანი ნივთიერების მოსაცილებლად მოაპკურეთ დანას რეზინის გამხსნელი. მცირე ხნით ჩართეთ მოტორი, რათა გამხსნელი თანაბრად გადანაწილდეს.

- მშრალი ქსოვილით გაწმინდეთ ზედაპირი.

⚠ გაფრთხილება: არასდროს გამოიყენოთ წყალი თქვენი ხელსაწყო გასაწმენდად. მოერიდეთ გამხსნელების გამოყენებას ხელსაწყო პლასტმასის ნაწილებს გაწმენდისას. უმეტესობა პლასტმასები ზიანდება მათზე გამხსნელების გამოყენების შედეგად. გამოიყენეთ სუფთა ტილოები ტალახის, მტვრის, ზეთის, ცხიმის და სხვ. მოსაცილებლად.

მჭრელი დანის ვალისვა

1. შენახვამდე მოხსენით აკუმულატორი ბუჩქის საკრეჭს.
2. ჩაიჭირეთ დანის კომპლექტი გირაგმი და გაქლიბეთ ყოველი დანის ღია მჭრელი ზედაპირი. მოქლიბეთ რაც შეიძლება ცოტა ლითონი.
3. მოხსენით საკრეჭი გირაგიდან და დაარეგულირეთ ისე რომ გამოჩნდეს მეორე გასალესი ნაწილიც. გაიმეორეთ იგივე პროცედურა სანამ დანის ყველა პირი არ გაილესება.

შენიშვნა: არ ამუშაოთ თქვენი ბუჩქის საკრეჭი დაჩლუნგებული არ დაზიანებული საჭრელი დანებით. ამან შესაძლოა გამოიწვიოს ხელსაწყო გადატვირთვა და მოგვცეთ არასასურველი რეზულტატი.

დანის შეგუთვა

უკეთესი მუშაობისთვის და დანის ტექნიკური ვადის გასაზრდელად შეზეთეთ ბუჩქის საკრეჭი მსუბუქი მანქანის ზეთით ყოველ ჯერზე გამოყენებამდე და მის შემდეგ.

მოხსენით აკუმულატორი და დადეთ საკრეჭი ბრტყელ ზედაპირზე. შეზეთეთ ზედა დანის პირის გასწვრივ.

შენიშვნა: ხანგრძლივი გამოყენებისას შეზეთეთ დანა მუშაობის პერიოდში.

⚠ გაფრთხილება: არ შეზეთოთ ბუჩქის საკრეჭი, როცა იგი ჩართულია.

გადაცემათა კოლოფის შეგების წესი

ხელსაწყოს ოპტიმალური მუშაობისთვის და ხანგრძლივი მოხმარებისთვის, გთხოვთ შეუხებთ ბუჩქის საკრეჭის გადაცემათა კოლოფი სპეციალური საპოხით (5-6 გ #1 და 10-12 გ #2 საპოხით ყველა ჯერზე) ყოველი 25 საათიანი ექსპლუატაციის პერიოდის შემდეგ.

შენიშვნა: გთხოვთ მიმართოთ თქვენს ლოკალურ EGO-ს მომსახურების ცენტრს დახმარებისთვის.

სპეციალური საპოხი უნდა აკმაყოფილებდეს შემდეგ მოთხოვნებს:

1. მიეკუთვნებოდეს DIN51818 ტიპს: იყოს კონუსის შკალაზე NLGI-2 სირბილის.
2. შედგებოდეს პოლიურეას შემსქელებელისა + სინთეზური სამანქანო ზეთისგან.
3. შესანიშნავი საპოხი დაბალტემპერატურული ჩართვისთვის, მაღალი წნევის პირობებისთვის, მექანიკური ცვეთისა და გახეხის საწინააღმდეგო და ოქსიდაციის სტაბილიზაციისთვის.
4. ტემპერატურის მუშა რეჟიმი უნდა მოიცავდეს -40°C ინტერვალს.

ტრანსპორტირება და შენახვა

- ყოველთვის დააყენეთ დამცავი დანაზე ხელსაწყოს შენახვამდე ან გადატანამდე. გამოიყენეთ სიფრთხილე დანის მჭრელ კბილებთან მიმართებაში.
- საგულდაგულოდ გაწმინდეთ ბუჩქის საკრეჭი შენახვამდე.
- შეინახეთ ის შენობაში ბავშვებისთვის მიუწვდომელ მშრალ ადგილას.
- მოაცილეთ კოროზიის გამომწვევი ნივთიერებები, როგორცაა სოფლის მეურნეობაში გამოყენებული ქიმიკატები და მოყინვის საწინააღმდეგო ტექნიკური მარილი.

▲ გაფრთხილება: დანის პირი მჭრელია.

დანის აწყობის დროს ჩაიცვით მოცურების საწინააღმდეგო, დამცავი ხელთათმანები. არ მოათავსოთ თქვენი ხელი ან თითები დანის პირებს შორის ან ისეთ პოზიციაში სადაც ისინი შეიძლება გაგეჭრათ ან ჩაგიყვით. არასოდეს შეეხოთ დანის პირებს ან ჩაუტაროთ ხელსაწყოს სერვისი, როცა აკუმულატორი შეერთებულია.

გარემოს დაცვა



არ მოახდინოთ ელექტრული მოწყობილობის, აკუმულატორის დამტენის და მისი ბატარეების მოთავსება საყოფაცხოვრებო ნაგავში!

ევროკავშირის 2012/19/EU რეგულაციის მიხედვით, ელექტრული და ელექტრონული ხელსაწყოები, რომლებიც აღარ გამოიყენება, ასევე 2006/66/EC რეგულაციის მიხედვით, დეფექტური ან გამოყენებული აკუმულატორები/ბატარეები, უნდა შეგროვდეს ცალკეულად.

ელექტრული მოწყობილობების ნაგავსაყრელზე მოთავსებისას, სახიფათო ნარჩენები შესაძლოა გაიჟონოს გრუნტის წყლებში და მოხვდეს საკვებ ჯაჭვში, რამაც შესაძლოა დააზიანოს თქვენი ჯანმრთელობა და კეთილდღეობა.

გაუმართაობის დიაგნოსტიკა

პრობლემა	მიზეზი	გადაჭრის გზა
ბუჩქის საკრეჭი არ მუშაობს.	<ul style="list-style-type: none"> აკუმულატორი არ არის შეერთებული ბუჩქის საკრეჭზე. 	<ul style="list-style-type: none"> დამაგრეთ აკუმულატორი ბუჩქის საკრეჭზე.
	<ul style="list-style-type: none"> სათიბსა და აკუმულატორს შორის არ არის ელექტრული კონტაქტი. 	<ul style="list-style-type: none"> მოხსენით აკუმულატორი, შეამოწმეთ კონტაქტები და კვლავ მოათავსეთ იგი უკან.
	<ul style="list-style-type: none"> აკუმულატორი დაცლილია. 	<ul style="list-style-type: none"> დატენეთ აკუმულატორი.
	<ul style="list-style-type: none"> აკუმულატორი ზედმეტად გაცხელებულია. 	<ul style="list-style-type: none"> მოხსენით აკუმულატორი ხელსაწყოს და აცადეთ მას გაგრილება 67°C-ის ქვევით.
	<ul style="list-style-type: none"> ბუჩქის საკრეჭი ზედმეტად გაცხელებულია. 	<ul style="list-style-type: none"> ხელი გაუშვით ორივე ბერკეტს; აცადეთ საკრეჭს გაგრილება 77°C-ის ქვევით.
	<ul style="list-style-type: none"> ორივე ჩამრთველი ბერკეტი არ არის ერთდროულად დაჭერილი. 	<ul style="list-style-type: none"> ერთდროულად დააჭირეთ წინა და უკანა სახელურზე მდებარე ჩამრთველ ბერკეტებს.
	<ul style="list-style-type: none"> დანა გაჭედილია. 	<ul style="list-style-type: none"> მოხსენით აკუმულატორი ხელსაწყოს, ფრთხილად მოაცალეთ გაჭედილი საგანი, შემდეგ უკან მიაერთეთ აკუმულატორი და ხელახლა ჩართეთ ხელსაწყო.

პრობლემა	მიზეზი	გადაჭრის გზა
გადაჭარბებული ვიბრაცია ან ხმაური.	<ul style="list-style-type: none"> მშრალი ან დაჟანგული დანები. 	<ul style="list-style-type: none"> შეზეთეთ დანა, მიყევით მომხმარებლის ინსტრუქციაში სექციას „დანის შეზეთვა“.
	<ul style="list-style-type: none"> დანები ან მათი საყრდენი მოღუნულია. 	<ul style="list-style-type: none"> შეცვალეთ ახალი დანით ან საყრდენით. მიმართეთ EGO-ს მომსახურების ცენტრს დანის და საყრდენის შეცვლის სერვისისთვის.
	<ul style="list-style-type: none"> მოღუნული ან დაზიანებული კბილები. 	<ul style="list-style-type: none"> შეცვალეთ ახალი დანით. მიმართეთ EGO-ს მომსახურების ცენტრს დანის შეცვლის სერვისისთვის.
	<ul style="list-style-type: none"> მოშვებული კბილების ჭანჭიკები. 	<ul style="list-style-type: none"> მოუჭირეთ დანის ჭანჭიკები. ჭანჩის გასაღების გამოყენებით მოატრიალეთ ჭანჭიკი საათის ისრის მიმართულებით მოსაჭერად.

გარანტია

EGO-ს გარანტიის მომსახურების წესი

გთხოვთ ეწვიოთ ვებ-გვერდს egopowerplus.com, რათა მიიღოთ EGO-ს საგარანტიო მომსახურების სრული დადგენილებები და პირობები.

PROČITAJTE SVA UPUTSTVA!



PROČITAJTE I SHVATITE PRIRUČNIK SA UPUTSTVIMA

⚠ Rezidualni rizik! Osobe sa elektronskim uređajima, poput pejsmejкера, treba da konsultuju svog lekara (svoje lekare) pre upotrebe ovog proizvoda. Rukovanje električnom opremom u neposrednoj blizini srčanog pejsmejкера moglo bi da izazove smetnje ili otkazivanje pejsmejкера.

⚠ UPOZORENJE: Da bi se osigurala sigurnost i pouzdanost, sve popravke i zamene treba da radi kvalifikovani servisni tehničar.

SIGURNOSNI SIMBOLI

Svrha sigurnosnih simbola je da vam skrenu pažnju na moguće opasnosti. Sigurnosni simboli i objašnjenja uz njih zaslužuju vašu pomnu pažnju i shvatanje. Simboli upozorenja, sami po sebi, ne eliminišu nikakve opasnosti.

Uputstva i upozorenja koja oni daju nisu zamena za odgovarajuće mere sprečavanja nezgoda.

⚠ UPOZORENJE: Obavezno pročitajte i shvatite sva sigurnosna uputstva u ovom Priručniku za rukovaoca, obuhvatajući i sve simbole sigurnosnih upozorenja poput „**OPASNOST**“, „**UPOZORENJE**“ i „**OPREZ**“ pre korišćenja ovog alata. Nepridržavanje svih dolenađenih uputstava može da dovede do strujnog udara, požara i/ili ozbiljne telesne povrede.

ZNAČENJE SIMBOLA

SIMBOL SIGURNOSNOG UPOZORENJA: Ukazuje na **OPASNOST**, **UPOZORENJE** ili **OPREZ**. Može se koristiti zajedno sa drugim simbolima ili piktogramima.

⚠ UPOZORENJE: Rukovanje svakim električnim alatom može da dovede do izbacivanja stranih tela ka očima, što može da dovede do ozbiljnog oštećenja očiju. Pre započinjanja rada sa električnim alatom, uvek stavite sigurnosne naočare sa bočnim štitnicima ili po potrebi masku za celo lice. Preporučujemo sigurnosnu masku Wide Vision za upotrebu preko naočara ili standardnih sigurnosnih naočara sa bočnim štitnicima.

SIGURNOSNA UPUTSTVA

Ova stranica prikazuje i opisuje sigurnosne simbole koji mogu da se pojave na ovom proizvodu. Pročitajte, shvatite i sledite sva uputstva na mašini pre no što pokušate da je sklopite i da rukujete njom.

	Sigurnosno upozorenje	Označava potencijalnu opasnost od telesne povrede.
	Pročitajte Priručnik za rukovaoca	Da bi smanjio rizik od povreda, korisnik mora pročitati priručnik za rukovaoca.
	Ne izlažite kiši	UPOZORENJE: Ne koristite po kiši niti ostavljajte napolju dok pada kiša.
	Dužina noža	Dužina noža
	Kapacitet sečenja	Maks. Kapacitet sečenja noža
V	Volt	Voltaža
A	Amperi	Struja
Hz	Herc	Frekvencija (ciklusi u sekundi)
W	Vat	Snaga
min	Minuti	Vreme
	Naizmenična struja	Tip struje
	Jednosmerna struja	Tip ili karakteristika struje
n_0	Brzina bez opterećenja	Rotaciona brzina, bez opterećenja
... /min	U minutu	Obrtaji u minutu
SPM	Potezi u minutu	Brzina poteza, bez opterećenja

OPŠTA SIGURNOSNA UPOZORENJA ZA ELEKTRIČNI ALAT

⚠ UPOZORENJE: Pročitajte sva sigurnosna upozorenja i uputstva. Nepridržavanje upozorenja i uputstava može da dovede do strujnog udara, požara i/ili ozbiljne povrede.

Sačuvajte sva upozorenja i uputstva za buduću upotrebu.

Pojam „električni alat“ u upozorenjima označava električni alat (sa žicom) koji se uključuje u utičnicu ili električni alat (bežični) na baterije.

BEZBEDNOST NA RADNOM PODRUČJU

- **Održavajte radno područje čistim i dobro osvetljenim.** Na pretrpanim ili mračnim područjima su veće šanse da dođe do nezgoda.
- **Ne koristite električne alate u eksplozivnim atmosferama, kao na primer u prisustvu zapaljivih tečnosti, gasova ili prašine.** Električni alat stvara varnice koje mogu zapaliti prašinu ili isparenja.
- **Držite decu i prolaznike podalje dok koristite električni alat.** Ako vam neko odvraći pažnju, možete izgubiti kontrolu.

ELEKTRIČNA BEZBEDNOST

- **Utikač električnog alata mora odgovarati utičnici. Nikada ne modifikujete utikač ni na koji način. Ne koristite adapterske utikače sa uzemljenim električnim alatom.** Nemodifikovani utikači i odgovarajuće utičnice će smanjiti rizik od strujnog udara.
- **Izbegavajte kontakt delova tela sa uzemljenim površinama, poput cevi, radijatora, šporeta i frižidera.** Postoji povećan rizik od strujnog udara ako je vaše telo uzemljeno.
- **Ne izlažite električne alate kiši ili mokrim uslovima.** Voda koja uđe u električni alat povećaće rizik od strujnog udara.
- **Nemojte zloupotrebljavati kabl. Nikada ne koristite kabl za nošenje, vučenje ili isključivanje iz utičnice električnog alata. Čuvajte kabl podalje od toplote, ulja, oštrih ivica ili pokretnih delova.** Oštećen ili upetljan kabl povećava rizik od strujnog udara.
- **Kada koristite električni alat na otvorenom prostoru, koristite produžni kabl pogodan za korišćenje na otvorenom prostoru.** Upotreba kabla pogodnog za korišćenje na otvorenom prostoru smanjuje rizik od strujnog udara.
- **Ako je korišćenje električnog alata u vlažnom području neizbežno, koristite izvor napajanja sa zaštitnim uređajem diferencijalne struje (RCD).** Korišćenje RCD smanjuje rizik od strujnog udara.

LIČNA BEZBEDNOST

- **Ostanite u pripravnosti, pazite šta radite i koristite zdrav razum kada koristite električni alat. Ne koristite električni alat kada ste umorni ili pod uticajem droga, alkohola ili lekova.** Trenutak nepažnje kada koristite električni alat je dovoljan da izazove ozbiljne telesne povrede.
- **Koristite ličnu zaštitnu opremu. Uvek nosite zaštitu za oči.** Zaštitna oprema poput maske za prašinu, radnih cipela koje se ne klizaju, šlema ili zaštite sluha će, kada se koristi za odgovarajuće uslove, smanjiti telesne povrede.
- **Sprečite slučajno pokretanje. Osigurajte da prekidač bude u isključenom položaju pre povezivanja na izvor napajanja i/ili bateriju, podizanja ili nošenja alata.** Nošenje električnih alata sa prstom na prekidaču ili uključivanje u utičnicu električnih alata čiji prekidač je u uključenom položaju priziva nezgode.
- **Uklonite sve ključeve za podešavanje pre uključivanja električnog alata.** Ključ koji ostane pričvršćen za rotacioni deo električnog alata može da izazove telesnu povredu.
- **Ne presežite. U svakom trenutku održavajte pravilan položaj nogu i ravnotežu.** To omogućava bolju kontrolu električnog alata u neočekivanim situacijama.
- **Prikladno se obucite. Ne nosite labavu odeću ili nakit. Držite kosu, odeću i rukavice dalje od pokretnih delova.** Labava odeća, nakit ili duga kosa mogu da se zakače pokretnim delovima.
- **Ako su priloženi uređaji za povezivanje delova za izbacivanje i prikupljanje prašine, osigurajte da oni budu povezani i da se pravilno koriste.** Upotreba uređaja za prašinu može da smanji opasnosti koje izaziva prašina.

UPOTREBA I ODRŽAVANJE ELEKTRIČNOG ALATA

- **Ne silite električni alat. Koristite odgovarajući električni alat za ono što radite.** Odgovarajući električni alat uradiće posao bolje i bezbednije onom brzinom za koju je dizajniran.
- **Ne koristite električni alat ako ga prekidač ne uključuje i isključuje.** Svaki električni alat koji se ne može kontrolisati prekidačem je opasan i mora se popraviti.

- **Odvojite utikač iz izvora napajanja i/ili bateriju iz električnog alata pre bilo kakvog podešavanja, menjanja dodataka ili skladištenja električnog alata.** Takve preventivne sigurnosne mere smanjuju rizik od nehotičnog pokretanja električnog alata.
- **Skladištite isključene električne alate van domašaja dece i ne dozvolite osobama koje nisu upoznate sa ovim električnim alatom ili ovim uputstvom da rukuju električnim alatom.** Električni alat je opasan u rukama nekalifikovanih korisnika.
- **Održavajte električni alat. Proverite pravilno poravnanje ili spojeve pokretnih delova, lomljenje delova i sva druga stanja koja mogu da utiču na rad električnog alata. Ako je oštećen, odnesite električni alat na popravku pre upotrebe.** Mnoge nezgode su izazvane loše održanim električnim alatom.
- **Održavajte alate koji seku oštrim i čistim.** Pravilno održavani alati za sečenje sa oštrim ivicama za sečenje se ređe zapetljavaju i lakše se kontrolišu;
- **Koristite električni alat, dodatke, delove itd. u skladu sa ovim uputstvom, uzimajući u obzir radne uslove i rad koji treba obaviti.** Korišćenje električnog alata za rad drugačiji od predviđenog moglo bi da dovede do opasne situacije.

UPOTREBA I ODRŽAVANJE ALATA NA BATERIJE

- **Punite samo punjačem koji navodi proizvođač.** Punjač koji je prikladan za jedan tip baterije može da stvori opasnost od požara kad se koristi sa drugom baterijom.
- **Koristite električni alat samo sa konkretno imenovanim baterijama.** Upotreba bilo kakvih drugih baterija može da stvori rizik od povrede i požara.
- **Kad se baterija ne koristi, držite je dalje od drugih metalnih predmeta, poput spajalica, novčića, ključeva, eksera, vijaka ili drugih malih metalnih predmeta koji mogu da naprave spoj jednog terminala sa drugim.** Kratak spoj terminala baterije može da izazove opekotine ili požar.
- **U ekstremnim uslovima može doći do curenja tečnosti iz baterije; izbegavajte kontakt sa njom. Ako dođe do nehotičnog kontakta, isperite vodom.** Ako tečnost dođe u kontakt sa očima, takođe potražite i medicinsku pomoć. Tečnost iz baterije može da izazove iritaciju ili opekotine.

SERVIS

- **Odnosite električni alat na servisiranje kod kvalifikovanog servisera koji će koristiti samo identične rezervne delove.** To će osigurati da bezbednost električnog alata bude održana.

SIGURNOSNA UPOZORENJA ZA TRIMER ZA ŽIVICU

- **Držite sve delove tela dalje od noža. Ne uklanjajte odsečeni materijal niti držite materijal koji treba da sečete dok se noževi kreću. Vodite računa da prekidač bude u isključenom položaju kad čistite zaglavljene materijale.** Trenutak nepažnje kada koristite trimer za živicu je dovoljan da izazove ozbiljne telesne povrede.
- **Nosite trimer za živicu za dršku, sa zaustavljenim nožem.** Kad transportujete ili skladištite trimer za živicu, uvek stavite navlaku za nož. Pravilno postupanje sa trimenom za živicu će smanjiti eventualne telesne povrede od noževa.
- **Držite električni alat samo za izolovane površine za hvatanje jer nož za sečenje može da dođe u dodir sa skrivenim ožičenjem.** Ako noževi dođu u dodir sa žicom pod naponom, i izloženi metalni delovi električnog alata mogu da budu pod naponom pa rukovalac može da dobije strujni udar.
- **Držite kabl dalje od površine gde sečete.** Tokom rada, kabl može da bude skriven u žbunju i nož ga može nehotično preseći.
- **Proverite da li u živici ima stranih predmeta pre rada, npr. žičanih ograda.**
- **Koristite trimer za živicu samo sa pravilno montiranim štitnikom.** Upotreba trimera za živicu bez odgovarajućeg štitnika može da dovede do ozbiljne telesne povrede!
- **Koristite obe ruke kad rukujete trimenom za živicu. Korišćenje jedne ruke bi moglo da izazove gubitak kontrole i da dovede do ozbiljne telesne povrede.**

⚠ UPOZORENJE: Proverite da li u živici ima stranih predmeta pre rada, npr. žičanih ograda. Koristite trimer za živicu samo sa pravilno montiranim štitnikom. Upotreba trimera za živicu bez odgovarajućeg štitnika može da dovede do ozbiljne telesne povrede!

VAŽNA SIGURNOSNA UPUTSTVA

- Ne koristite trimer za živicu na baterije po kiši.
- Nemojte puniti bateriju na kiši ili na mokrim mestima.

- Koristite samo sa baterijama i punjačima navedenim na slici A.
- Ne hvatajte izložene noževe za sečenje ili iverice za sečenje kad podižete ili držite trimera za živicu.
- Ne koristite na lestvama, krovu, drvetu ili nekoj drugoj nestabilnoj podlozi. Stabilno uporište na čvrstoj površini omogućava bolju kontrolu nad trimrom za živicu u neočekivanim situacijama.
- Nikad ne dozvoljavajte deci da rukuju trimrom za živicu.
- Nikad ne uklanjajte niti sabotirajte sigurnosne uređaje. Redovno proveravajte da li pravilno rade. Nikad ne radite ništa što bi ometalo predviđenu funkciju sigurnosnog uređaja ili smanjilo zaštitu koju sigurnosni uređaj pruža.
- Nikad ne rukujte trimrom za živicu bez odgovarajućih štitnika, ploča ili drugih sigurnosnih zaštitnih uređaja na svom mestu.
- Proverite oštećene delove pre dalje upotrebe trimera za živicu. Štitnik ili neki drugi deo koji je oštećen trebalo bi pažljivo proveriti da biste utvrdili da će raditi pravilno i obavljati predviđenu funkciju. Proverite poravnanje pokretnih delova, spojeve pokretnih delova, lomljenje delova, montiranje i sva druga stanja koja bi mogla uticati na rad. Štitnik ili bilo koji drugi deo koji je oštećen bi trebalo pravilno popraviti ili zameniti u ovlašćenom servisnom centru osim ako drugačije nije navedeno u ovom uputstvu.
- Često proveravajte da li su zavrtnji za montažu noža i motora pravilno zategnuti. Takođe, vizuelno pregledajte da li je nož oštećen (npr. savijen, napuklo i pohabano). Zamenite nož isključivo EGOTM nožem.
- Zamenite nož ako je savijen ili napukao. Neizbalansiran nož izaziva vibracije koje bi mogle da oštete jedinicu motornog pogona ili da izazovu telesnu povredu.
- Ako oprema počne abnormalno da vibrira, zaustavite motor i odmah potražite uzrok. Vibracija je generalno upozorenje da postoji problem.
- Trimer treba da se koristi za sečenje stablika debljine manje od 33 mm.
- Secite samo po dnevnom svetlu ili po dobrom veštačkom svetlu.
- Izvadite ili odvojite bateriju pre servisiranja, čišćenja ili uklanjanja materijala iz trimera za živicu.
- Ne perite crevom; izbegavajte ulaženje vode u motor i električne veze.
- Tokom servisiranja, koristite samo identične rezervne delove navedene u ovom priručniku. Upotreba delova koji ne ispunjavaju specifikacije originalne opreme može da dovede do nepravilnog rada i kompromitovane bezbednosti.

- Pratite uputstva za podmazivanje i menjanje dodataka.
- Održavajte drške suvim, čistim i bez ulja i masnoće.
- Sačuvajte ovo uputstvo. Često ga pregledajte i koristite ga da uputite druge koji mogu da koriste ovaj alat. Ako pozajmite ovaj alat nekom drugom, pozajmite i ovo uputstvo da bi se sprečila pogrešna upotreba proizvoda i eventualna povreda.

SAČUVAJTE OVO UPUTSTVO!

SPECIFIKACIJE

Model	HT5100E	HT6500E
Voltaža	56 V ---	56 V ---
Brzina bez opterećenja	Veća	1600 /min
	Manja	1400 /min
Preporučena radna temperatura:	0°C-40°C	
Preporučena temperatura skladištenja:	-20°C-70°C	
Dužina noža	51 cm	65 cm
Kapacitet sečenja	33 mm	33 mm
Težina (bez baterije)	3,6 kg	3,8 kg
Izmereni nivo jačine zvuka L_{WA}	90 dB(A) $K=1,55$ dB(A)	91,45 dB(A) $K=1,08$ dB(A)
Nivo zvučnog pritiska na mestu rukovaoca L_{PA}	81,5 dB(A) $K=2,5$ dB(A)	81,4 dB(A)
Garantovan nivo jačine zvuka L_{WA} (prema 2000/14/EC)	92 dB(A)	93 dB(A)
Vibracije a_h	Front Handle	3,369 m/s^2
	Rear Handle	1,876 m/s^2
$K=1,5$ m/s^2	5,313 m/s^2	3,115 m/s^2

- Deklarisana ukupna vrednost vibracije je izmerena u skladu sa standardnim metodom testiranja i može se koristiti za upoređivanje jednog alata sa drugim;
- Deklarisana ukupna vrednost vibracije može se koristiti i u preliminarnoj proceni izlaganja.

NAPOMENA: Emisija vibracija tokom stvarne upotrebe električnog alata može da se razlikuje od deklarisanе vrednosti u kojoj se alat koristi. Da bi se rukovalac zaštitio, korisnik bi trebalo da nosi rukavice i štitnike za uši u stvarnim uslovima korišćenja.

POPIS PAKOVANJA

NAZIV DELA	KOLIČINA
Trimer za živicu	1
Štitnik	1
Priručnik za rukovaoca	1

OPIS

UPOZNAJTE TRIMER ZA ŽIVICU (slika A)

1. Dugme za otključavanje baterije
2. Zadnja drška
3. Okidač za zaključavanje.
4. Zadnja poluga prekidača
5. Dugme za podešavanje brzine
6. Prednja drška
7. Prednja poluga prekidača
8. Štitnik za ruke
9. Štitnik noža
10. Sečivo
11. Zaštitna vrha
12. Reza
13. Električni kontakti
14. Prerez za montiranje
15. Mehanizam izbacivanja
16. Zaključavanje drške
17. Kućište motora
18. Štitnik

⚠ UPOZORENJE: Ovaj proizvod je isporučen potpuno sklopljen. Štitnik za ruke se nikad ne sme uklanjati tokom upotrebe. Kad se ošteti, odmah ga zamenite kod kvalifikovanog servisnog tehničara.

⚠ UPOZORENJE: bezbedna upotreba ovog proizvoda zahteva razumevanje informacija na alatu i u ovom priručniku za rukovaoca, kao i znanje o projektu koji planirate. Pre upotrebe ovog proizvoda, upoznajte se sa svim radnim funkcijama i sigurnosnim pravilima.

RUKOVANJE

⚠ UPOZORENJE: Ne dozvolite da zbog poznavanja ovog proizvoda postanete nemarni. Zapamtite da je delić sekunde nepažnje dovoljan da nanese ozbiljnu povredu.

⚠ UPOZORENJE: Uvek nosite zaštitne naočare za bočnim štitnicima i zaštitu za sluh. Nepridržavanje toga može dovesti do predmeta izbačenih prema očima i drugih ozbiljnih povreda.

⚠ UPOZORENJE: Da biste sprečili nehotično pokretanje koje bi moglo izazvati ozbiljne telesne povrede, uvek uklonite bateriju iz alata kada sklapate delove, podešavate, čistite ili kad ga ne koristite.

⚠ UPOZORENJE: Ne koristite nikakve dodatke ili pribor koje nije preporučio EGO™. Upotreba dodataka ili pribora koji nisu preporučeni može da dovede do ozbiljne telesne povrede.

Pre svake upotrebe pregledajte čitav proizvod radi oštećenih, nedostajućih ili labavih delova poput vijaka, navrtanja, zavrtnja, kapica itd. Čvrsto zategnite sve spojeve i kapice i ne rukujte ovih proizvodom dok svi nedostajući ili oštećeni delovi ne budu zamenjeni.

PRIMENA

Možete da koristite ovaj proizvod za orezivanje živica, žbunja i grmlja sa prečnikom grana manjim od Ø33 mm.

NAPOMENA: Alat treba koristiti samo za propisanu svrhu. Svaka druga upotreba smatra se slučajem zloupotrebe.

INSTALIRANJE/VAĐENJE BATERIJE

Napunite pre prve upotrebe.

Za instalaciju (slika B)

Poravnajte rebra baterije sa prerezima za montiranje i pritisnite bateriju nadole dok ne čujete „klik“.

Za uklanjanje (slika C)

Pritisnite dugme za otključavanje baterije i izvucite bateriju.

⚠ UPOZORENJE: Uvek vodite računa o položaju svojih stopala, dece ili kućnih ljubimaca kad pritiskate dugme za otključavanje baterije. Može doći do ozbiljnih povreda ako baterija ispadne. NIKAD ne vadite bateriju na visokom mestu.

POKRETANJE/ZAUSTAVLJANJE TRIMERA ZA ŽIVICU

Pre rukovanja, skinite štitičnik i uhvatite trimer sa obe ruke; jedna ruka je na zadnjoj drški a druga ruka je na prednjoj drški. Zatim proverite balansiran položaj nogu, uspravno stajanje i pravilnu udaljenost sečenja.

⚠ UPOZORENJE: Uvek držite obe ruke na drškama trimera za živicu. Nikad ne držite žbunje jednom rukom a trimer za živicu drugom. Ako se ne pridržavate ovog upozorenja, može doći do ozbiljne povrede.

Za pokretanje

Pritisnite okidač za zaključavanje dlanom a zatim pritisnite polugu zadnjeg prekidača nagore. Dok je zadnja poluga prekidača pritisnuta, nastavite da pritiskate prednju polugu prekidača za pokretanje.

Za zaustavljanje

Pustite bilo koju od poluga prekidača da biste zaustavili uređaj.

NAPOMENA: Obe poluge prekidača treba da budu pritisnute da bi se trimer za živicu pokrenuo.

KORIŠĆENJE TRIMERA ZA ŽIVICU

⚠ UPOZORENJE: Ako se nož zaglavi na bilo kakvom strujnom kablju ili vodu, NE DODIRUJTE NOŽ! MOŽE DA BUDE POD NAPONOM I VEOMA OPASAN. Nastavite da držite trimer za živicu za izolovanu zadnju dršku ili ga spustite na tlo i dalje od sebe na bezbedan način. Isključite oštećeni kabl iz električne mreže pre no što pokušate da oslobodite nož od kabla. Nepoštovanje ovog upozorenja dovešće do ozbiljne telesne povrede ili eventualne smrti.

⚠ UPOZORENJE: Da biste sprečili ozbiljnu telesnu povredu, držite šake dalje od noževa. Ne pokušavajte da uklonite odsećeni materijal niti da držite materijal koji treba da seče dok se noževi kreću. Vodite računa da su se noževi potpuno zaustavili i da je baterija izvađena pre čišćenja materijala zaglavljenog u noževima. Ne hvatajte izložene noževe za sečenje ili iverice za sečenje kad podižete ili držite jedinicu.

⚠ UPOZORENJE: Očistite područje na kojem ćete seći pre svake upotrebe. Uklonite sve predmete poput kablova, lampi, žica ili kanapa koji bi mogli da se zakače za nož za sečenje i stvore rizik od ozbiljne telesne povrede.

⚠ UPOZORENJE: Izbegavajte da orezujete previše odjednom ili kroz gusto šiblje. To može da izazove zakaćivanje i usporavanje noževa i da smanji efikasnost sečenja.

NAPOMENA: Za mlado rastinje, široko zamahivanje je prikladno za stabljike koje ulaze direktno u nož za sečenje. Za starije rastinje, pokret testerisanja je dobar za orezivanje debljih stabljika. Preporučuje se da se veće stabljike prvo orežu ručnom testerom ili testerom za potkresivanje koje nisu na struju.

Sečenje vrha

Koristite širok pokret zamahivanja. Blago naginjanje noževa nadole u smeru kretanja daje najbolje rezultate sečenja. Za bolji efekat sečenja možete da koristite i kanap da vodi ravan živice, kako je prikazano na slici D.

Bočno sečenje

Kad orezujete bočne strane živice, počnite odole i secite nagore, kako je prikazano na slici E1 ili slici E2.

Sečenje debljih grana

Zadnja drška trimera za živicu može se postaviti u pet položaja ($0^\circ/\pm 45^\circ/\pm 90^\circ$) izvlačenjem bravice (od slike F1 do slike F5). Ako je neophodno sečenje deblje grane, postavite zadnju dršku na $\pm 45^\circ$ (slika F2 i F4) da biste to uradili.

⚠ UPOZORENJE: Kad se drška podešava, nož ne sme da radi.

NAPOMENA: Tokom rada, drška treba uvek da bude okrenuta nagore, nezavisno od smera u kojem je okrenut trimer za živicu.

Zaštita vrha

Zaštita vrha (slika G) se koristi da zaštiti spoljašnji kraj noža.

Štitičnik noža

Spoljašnji deo noževa je oblikovan kao štitičnik noža (slika H).

H-1	Sečivo
H-2	Štitičnik noža

⚠ UPOZORENJE: Uvek proverite da li je štitičnik noža oštećen ili iskrivljen. Zamenite ga ako je savijen ili oštećen.

ODRŽAVANJE

⚠ UPOZORENJE: Tokom servisiranja, koristite samo identične rezervne delove. Upotreba bilo kakvih drugih delova može da dovede do opasnosti ili da izazove oštećenje proizvoda. Da bi se osigurala sigurnost i pouzdanost, sve popravke treba da radi kvalifikovani servisni tehničar.

⚠ UPOZORENJE: Da biste izbegli ozbiljne telesne povrede, uvek izvadite bateriju iz proizvoda kad ga čistite ili održavate.

ČIŠĆENJE

- Koristite meku četku da uklonite prljavštinu iz svih ulaza za vazduh i sa noža za sečenje.
- Da biste uklonili smolu i druge lepljive ostatke, poprskajte noževe rastvaračem smole. Nakratko pokrenite motor da bi se rastvarač ravnomerno rasporedio.
- Obrišite površinu suvom krpom.

⚠ UPOZORENJE: Nikad ne koristite vodu za čišćenje trimera. Izbegavajte korišćenje rastvarača kada čistite plastične delove. Većina plastike je podložna oštećenjima od raznih tipova komercijalnih rastvarača. Koristite čistu krpu da uklonite zemlju, prašinu, ulje, masnoću itd.

OŠTRENJE NOŽA ZA SEČENJE

1. Izvadite bateriju iz trimera za živicu.
2. Stegnite sklop noža u stegu i turpijajte izloženu površinu za sečenje na svakom zubu noža. Uklonite što je moguće manje materijala.
3. Izvadite trimer za živicu iz stega i namestite ga tako da nenaoštreni nož sa druge strane bude izložen. Ponovite gornje procedure dok svi zubi noža ne budu naoštreni.

NAPOMENA: Ne rukujte trimenom sa tupim ili oštećenim noževima za sečenje. To može da izazove preopterećenje i daće nezadovoljavajuće rezultate sečenja.

PODMAZIVANJE NOŽA

Za najbolji rad i duži radni vek noža, podmazujte nož trimera za živicu lakim mašinskim uljem pre i posle svake upotrebe. Izvadite bateriju i položite trimer na ravnu površinu. Nanesite ulje duž ivice gornjeg noža.

NAPOMENA: Za periode produžene upotrebe, podmažite nož tokom operacije sečenja.

⚠ UPOZORENJE: Ne podmazujte trimer za živicu dok radi.

PODMAZIVANJE MENJAČA BRZINA

Za najbolji rad i duži radni vek, podmazujte menjač brzina na trimeru za živicu specijalnim mazivom (5-6 g u #1 i 10-12 g u #2 svaki put) posle svakih 25 sati rada.

NAPOMENA: Obratite se lokalnom ego servisnom dileru radi pomoći.

Specijalno mazivo treba da ispuni sledeće zahteve:

1. Spada u DIN51818: NLGI-2 stepen penetracije konusa.
2. Sastoji se od poliurea zgušnjivača i sintetičkog ulja za podmazivanje.
3. Svojstva odličnog pokretanja na niskoj temperaturi, EP, mehaničkog smicanja, otpornosti na abraziju i oksidativne stabilnosti.
4. Radna temperatura mora da obuhvati od -40 do +180 °C.

TRANSPORTOVANJE I SKLADIŠTENJE

- Uvek stavite štitnik na nož pre skladištenja ili transportovanja trimera za živicu. Budite oprezni da biste izbegli oštre zube noža.
- Temeljno očistite trimer za živicu pre no što ga uskladištite.
- Skladištite trimer za živicu u zatvorenom prostoru, na suvom mestu koje nije dostupno deci.
- Držite dalje od korozivnih sredstava poput baštenskih hemikalija i soli za odmrzavanje.

⚠ UPOZORENJE: Noževi su oštri. Kad rukujete sklopom noža, nosite čvrste zaštitne rukavice koje se ne klišu. Ne stavljajte šake ili prste između noževa ili u bilo koji položaj gde se možete uštinuti ili poseći. NIKAD ne dodirujte noževe i ne servisirajte jedinicu kad je baterija instalirana.

Zaštita životne sredine



Ne odlažite električnu opremu, punjače baterija i baterije/punjive baterije u kućni otpad!

Prema evropskom zakonu 2012/19/EU, električna i elektronska oprema koja više nije upotrebljiva, te prema evropskom zakonu 2006/66/EC, defektne ili ispražnjene baterije, moraju se prikupljati zasebno.

Ako se električni aparati odlažu na deponije ili đubrišta, opasne supstance mogu da iscuru u podzemne vode i dospeju u lanac ishrane, noseći štetu vašem zdravlju i dobrobiti.

REŠAVANJE PROBLEMA

PROBLEM	UZROK	REŠENJE
Trimer za živicu ne radi	<ul style="list-style-type: none"> ■ Baterija nije spojena na trimer za živicu. 	<ul style="list-style-type: none"> ■ Spojite bateriju na trimer za živicu.
	<ul style="list-style-type: none"> ■ Nema električnog kontakta između trimera i baterije 	<ul style="list-style-type: none"> ■ Izvadite bateriju, proverite kontakte i ponovo instalirajte bateriju.
	<ul style="list-style-type: none"> ■ Baterija je prazna. 	<ul style="list-style-type: none"> ■ Napunite bateriju.
	<ul style="list-style-type: none"> ■ Baterija je prevruća. 	<ul style="list-style-type: none"> ■ Izvadite bateriju iz alata i ostavite je da se hladi dok temperatura ne padne ispod 67 °C.
	<ul style="list-style-type: none"> ■ Trimer za živicu je prevruć. 	<ul style="list-style-type: none"> ■ Pustite obe poluge prekidača; ostavite trimer da se hladi dok temperatura ne padne ispod 77 °C.
	<ul style="list-style-type: none"> ■ Dve poluge prekidača nisu pritisnute istovremeno. 	<ul style="list-style-type: none"> ■ Pritisnite poluge prekidača na prednjoj i zadnjoj drški istovremeno.
	<ul style="list-style-type: none"> ■ Nož je zaglavljen. 	<ul style="list-style-type: none"> ■ Izvadite bateriju iz alata, pažljivo uklonite začepljenje, zatim ponovo umetnite bateriju i ponovo pokrenite alat.
Dolazi do prekomernih vibracija ili buke	<ul style="list-style-type: none"> ■ Suvi ili korodirani noževi. 	<ul style="list-style-type: none"> ■ Podmažite noževe, prateći odeljak „PODMAZIVANJE NOŽA“ u ovom priručniku.
	<ul style="list-style-type: none"> ■ Noževi ili nosač noža su savijeni. 	<ul style="list-style-type: none"> ■ Zamenite novim nožem ili nosačem. Obratite se EGO servisnom centru za uslugu zamene noža ili nosača.
	<ul style="list-style-type: none"> ■ Savijeni ili oštećeni zubi. 	<ul style="list-style-type: none"> ■ Zamenite novim nožem. Obratite se EGO servisnom centru za uslugu zamene noža.
	<ul style="list-style-type: none"> ■ Labavi zavrtnji noža. 	<ul style="list-style-type: none"> ■ Zategnite zavrtnje noža. Ključem okrenite zavrtnj u smeru kazaljke na satu da biste ga zategnuli.

GARANCIJA

EGO POLITIKA GARANCIJE

Posetite veb-lokaciju egopowerplus.com za potpune uslove i odredbe EGO politike garancije.

PROČITAJTE UPUTSTVO U CIJELOSTI!



S RAZUMIJEVANJEM PROČITAJTE UPUTSTVO ZA UPOTREBU.

⚠ Preostale opasnosti! Osobe s elektroničkim uređajima poput srčanih elektrostimulatora prije upotrebe ovog proizvoda trebaju se posavjetovati sa svojim ljekarom. Rad električne opreme u neposrednoj blizini srčanih elektrostimulatora može uzrokovati smetnju ili kvar srčanog elektrostimulatora.

⚠ UPOZORENJE! Radi osiguranja sigurnosti i pouzdanosti, sve popravke i zamjene treba obavljati kvalifikovani servisni tehničar.

SIGURNOSNI SIMBOLI

Svrha sigurnosnih simbola je skretanje pažnje na moguće opasnosti. Sigurnosni simboli i njihova objašnjenja zahtijevaju vašu potpunu pažnju i razumijevanje. Sami simboli upozorenja sami po sebi ne isključuju opasnost.

Uputstva i upozorenja koja pružaju nisu zamjena za propisne mjere za prevenciju nesreća.

⚠ UPOZORENJE! Prije upotrebe ovog alata pobrinite se da sva sigurnosna uputstva u ovom korisničkom priručniku, uključujući sve sigurnosne simbole kao što su **“OPASNOST”**, **“UPOZORENJE”** i **“OPREZ”** pročitate s razumijevanjem. Zanemarivanje svih uputstava navedenih u nastavku može rezultirati strujnim udarom, požarom i/ili teškim tjelesnim povredama.

ZNAČENJE SIMBOLA

SIGURNOSNI SIMBOL UPOZORENJA: ukazuje na **OPASNOST**, **UPOZORENJE** ili **OPREZ**. Može se upotrebljavati u kombinaciji s drugim simbolima ili piktogramima.

⚠ UPOZORENJE! Rukovanje električnim alatima može rezultirati odbacivanjem stranih predmeta u oči, što opet može izazvati teška oštećenja očiju. Prije početka rukovanja električnim alatom, uvijek nosite zatvorene zaštitne naočale ili zaštitne naočale s bočnim štitnicima, a prema potrebi i štitnik za cijelo lice. Preporučujemo nošenje sigurnosne maske proizvođača Wide Vision preko naočala, ili nošenje standardnih zaštitnih naočala s bočnim štitnicima.

SIGURNOSNA UPUTSTVA

Na ovoj stranici slikovno su prikazani i objašnjeni sigurnosni simboli koji se mogu pojaviti na ovom proizvodu. Prije pokušaja sastavljanja i rukovanja, s razumijevanjem pročitajte sva uputstva na proizvodu i pridržavajte ih se.

	Simbol upozorenja	Ukazuje na potencijalnu opasnost od tjelesnih povreda.
	Pročitajte korisnički priručnik..	Radi smanjenja opasnosti od povreda, korisnik treba pročitati korisnički priručnik.
	Ne izlažite uređaj kiši.	UPOZORENJE! Trimer s reznom niti nemojte upotrebljavati na kiši ili nemojte ga ostavljati na otvorenom kada pada kiša.
	Dužina noža	Dužina noža
	Kapacitet rezanja	Maks. kapacitet rezanja noža
V	Volt	Napon
A	Amper	Struja
Hz	Herc	Frekvencija (ciklusi u sekundi)
W	Vat	Snaga
min	Minute	Vrijeme
	Izmjenična struja	Vrsta struje
	Istosmjerna struja	Vrsta ili karakteristike struje
n_0	Brzina vrtnje bez opterećenja	Brzina okretanja, bez opterećenja
... /min	U minuti	Okretaji u minuti
SPM	Udari u minuti	Brzina udara, bez opterećenja

OPĆA SIGURNOSNA UPOZORENJA ZA ELEKTRIČNE ALATE

UPOZORENJE! Pročitajte sva sigurnosna upozorenja i uputstva. Zanemarivanje upozorenja i uputstava može rezultirati strujnim udarom, požarom i/ili teškim povredama.

Sačuvajte sva upozorenja i uputstva za buduće potrebe.

Pojam “električni alat” u upozorenjima odnosi se na vaš električni alat na strujni pogon (s kabelom) ili električni alat na baterijski pogon (bez kabela).

SIGURNOST RADNOG PODRUČJA

- **Radno područje održavajte čistim i dobro osvijetljenim.** Pretrpana ili mračna područja izazivaju nesreće.
- **Električni alat nemojte upotrebljavati u eksplozivnim atmosferama, kao na primjer u prisutnosti zapaljivih tekućina, plinova ili prašine.** Električni alat stvara iskre koje mogu zapaliti prašinu ili isparenja.
- **Djecu i posmatrače držite podalje tokom rada s električnim alatom.** Ometanja mogu rezultirati gubitkom kontrole nad alatom.

ELEKTRIČNA SIGURNOST

- **Utikači električnog alata moraju odgovarati utičnici.** Nemojte modifikovati utikač ni na koji način. Nemojte upotrebljavati utikače adaptera s uzemljenim električnim alatima. Nemodifikovani utikači i odgovarajuće utičnice smanjit će rizik od strujnog udara.
- **Izbjegavajte kontakt tijela s uzemljenim površinama, kao što su slavine, radijatori, peći i frižideri.** Postoji povećan rizik od strujnog udara ako je vaše tijelo uzemljeno.
- **Električni alat nemojte izlagati kiši ili mokrim uslovima.** Prodiranje vode u električni alat povećat će rizik od strujnog udara.
- **Nemojte nepropisno upotrebljavati kabel.** Kabel nemojte nikada upotrebljavati za nošenje, povlačenje ili isključivanje električnog alata iz strujnog napajanja. Kabel držite podalje od topline, ulja, oštrih rubova ili pokretnih dijelova. Oštećeni ili isprepletani kabeli povećavaju rizik od strujnog udara.
- **Kada električnim alatom radite na otvorenom, upotrebljavajte produžni kabel prikladan za upotrebu na otvorenom.** Upotreba kabela prikladnog za upotrebu na otvorenom smanjuje rizik od strujnog udara.

- **Ako je rad s električnim alatom u području s parom neizbježan, upotrebljavajte napajanje sa zaštitnim uređajem diferencijalne struje (RCD).** Upotrebom zaštitnog uređaja diferencijalne struje smanjuje se rizik od strujnog udara.

LIČNA SIGURNOST

- **Budite oprezni, gledajte šta radite i koristite se uobičajenim osjećajem kada radite s električnim alatom.** Nemojte upotrebljavati električni alat kada ste umorni ili pod utjecajem opojnih sredstava, alkohola ili lijekova. Trenutak nepažnje tokom rada s električnim alatima može rezultirati teškim tjelesnim povredama.
- **Upotrebljavajte ličnu zaštitnu opremu. Uvijek nosite zaštitu za oči.** Zaštitna oprema poput maske za zaštitu od prašine, neklizajuće sigurnosne obuće, kacige ili zaštite za sluh upotrijebljena za odgovarajuće uslove smanjit će tjelesne povrede.
- **Spriječite nenamjerno pokretanje.** Prije spajanja na izvor napajanja i/ili komplet baterija, uzimanja ili nošenja alata uvjerite se da se prekidač nalazi u isključenom položaju. Nošenje električnih alata s prstom na prekidaču ili napajanje električnih alata koji imaju uključen prekidač izaziva nesreće.
- **Prije uključivanja električnog alata uklonite sve ključeve za podešavanje ili ključeve.** Ključ ili ključ za podešavanje ostavljen pričvršćen na rotacijski dio električnog alata može rezultirati tjelesnim povredama.
- **Nemojte se previše naginjati prema naprijed.** Cijelo vrijeme održavajte propisno držanje i ravnotežu. To će omogućiti bolju kontrolu nad električnim alatom u neočekivanim situacijama.
- **Obucite se prikladno.** Nemojte nositi široku odjeću ili nakit. Kosu, odjeću i rukavice uvijek držite podalje od dijelova koji se kreću. Dijelovi koji se kreću mogu zahvatiti široku odjeću, nakit ili dugu kosu.
- **Ako su uređaji namijenjeni za spajanje sistema za izvlačenje i sakupljanje prašine, pobrinite se da se propisno spoje i upotrebljavaju.** Upotrebom uređaja za sakupljanje prašine mogu se smanjiti opasnosti koje se odnose na prašinu.

UPOTREBA I NJEGA ELEKTRIČNOG ALATA

- **Nemojte preopterećivati električni alat.** Upotrebljavajte ispravan električni alat za svoju primjenu. Ispravan električni alat bolje će i sigurnije odraditi posao pri brzini za koju je predviđen.
- **Nemojte upotrebljavati električni alat ako ga prekidač ne uključuje i isključuje.** Svaki električni alat koji se ne može kontrolisati prekidačem opasan je i potrebno ga je popraviti.

- **Prije obavljanja podešavanja, zamjene dodatne opreme ili skladištenja električnih alata isključite utikač iz izvora napajanja i/ili komplet baterija iz električnog alata.** Takve preventivne sigurnosne mjere smanjuju rizik od iznenadnog pokretanja električnog alata.
- **Nekorišteni električni alat skladištite izvan dohvata djece i nemojte dozvoliti da osobe koje ne poznaju električni alat ili ova uputstva rade s električnim alatom.** Električni alati opasni su u rukama neobučениh korisnika.
- **Održavajte električne alate.** Provjerite jesu li pokretni dijelovi centrirani ili spojeni, ima li polomljenih dijelova i postoji li stanje koje može uticati na rad električnog alata. Ako je oštećen, električni alat dajte na popravak prije upotrebe. Loše održavani električni alati uzrok su mnogih nesreća.
- **Rezne alate održavajte oštroma i čistima.** Propisno održavani rezni alati s oštrim reznim rubovima vjerovatno se neće spajati i lakši su za upravljanje.
- **Električni alat, dodatnu opremu, alatne nastavke, itd., upotrebljavajte u skladu s ovim uputstvima, uzimajući u obzir radne uslove i posao koji je potrebno obaviti.** Upotreba električnog alata za radove drukčija od namjenske može rezultirati opasnim situacijama.

UPOTREBA I NJEGA BATERIJSKOG ALATA

- **Punjenje obavljajte samo s punjačem kojeg je naveo proizvođač.** Punjač koji je prikladan za jedan tip kompleta baterija može stvoriti rizik od požara ako ga se upotrebljava s drugim kompletom baterija.
- **Električni alat upotrebljavajte samo s izričito navedenim kompletima baterija.** Upotreba drugih kompleta baterija može stvoriti rizik od povreda i požara.
- **Kada se komplet baterija ne upotrebljava, držite ga podalje od drugih metalnih predmeta poput spajalica za papir, kovanica, ključeva, eksera, vijaka ili drugih malih metalnih predmeta koji mogu međusobno spojiti kontakte.** Kratko spajanje baterijskih kontakata može uzrokovati opekotine ili požar.
- **U slučaju pogrešne upotrebe, baterija može izbaciti tekućinu; izbjegavajte kontakt. Ako slučajno dođe do kontakta, odnosno mjesta isperite vodom.** Ako tekućina dođe u kontakt s očima, dodatno potražite pomoć ljekara. Tekućina koju izbaci baterija može uzrokovati nadražaj kože ili opekotine.

SERVISIRANJE

- **Servisiranje električnog alata prepustite kvalifikovanom osoblju za popravak koje upotrebljava samo identične zamjenske dijelove.** Time će se osigurati održavanje sigurnosti električnog alata.

SIGURNOSNA UPOZORENJA ZA MAKAZE ZA ŽIVICU

- **Sve dijelove tijela držite podalje od reznog noža. Kada se noževi kreću, nemojte uklanjati odrezani materijal ili nemojte držati materijal koji je potrebno rezati. Kada čistite zaglavljene materijal, uvjerite se da je prekiđač u isključenom položaju.** Trenutak nepažnje tokom rada s makazama za živicu može rezultirati teškim tjelesnim povredama.
- **Makaze za živicu nosite za rukohvat zaustavljenog reznog noža.** Kada transportujete ili skladištite makaze za živicu, uvijek stavite navlaku za rezni uređaj. Propisnim rukovanjem makazama za živicu smanjit će se moguće tjelesne povrede od reznih noževa.
- **Električni alat držite samo za izolirane površine rukohvata jer rezni nož može dotaknuti skrivene kabele.** Ako rezni noževi dotaknu kabel koji provodi struju, postoji opasnost da izloženi metalni dijelovi električnog alata isto provode struju što za rukovaoca može predstavljati opasnost od strujnog udara.
- **Držite kabel podalje od područja rezanja.** Tokom rada kabel može biti zaklonjen od pogleda u grmlju i može se nehotično prerezati nožem.
- **Prije rukovanja provjerite ima li u živici stranih predmeta, npr. žičane ograde.**
- **Makaze za živicu upotrebljavajte samo s propisno postavljenim štitnikom.** Upotreba makaza za živicu bez propisno postavljenog štitnika može rezultirati teškim tjelesnim povredama!
- **Makazama za živicu rukujte objema rukama. Rukovanje jednom rukom može uzrokovati gubitak kontrole i rezultirati teškim tjelesnim povredama.**

▲ UPOZORENJE! Provjerite živicu na postojanje stranih predmeta prije upotrebe alata, npr. žičane ograde. Makaze za živicu upotrebljavajte samo s propisno postavljenim štitnikom. Upotreba makaza za živicu bez propisno postavljenog štitnika može rezultirati teškim tjelesnim povredama!

VAŽNA SIGURNOSNA UPUTSTVA

- Makaze za živicu na baterijski pogon nemojte upotrebljavati na kiši.
- Komplet baterija nemojte puniti na kiši ili na mokrim mjestima.

- Upotrebljavajte samo s kompletima baterija i punjačima koji su navedeni na sl. A.
- Nemojte zahvaćati izložene rezne noževe ili rezne bridove kada uzimate ili držite makaze za živicu.
- Alat nemojte upotrebljavati na ljestvama, krovu, stablu ili drugoj nestabilnoj podlozi. Stabilno uporište na tvrdoj površini omogućuje bolju kontrolu nad makazama za živicu u neočekivanim situacijama.
- Nemojte nikada dozvoliti da djeca rukuju makazama za živicu.
- Nemojte nikada uklanjati sigurnosne uređaje ili obavljati preinake sigurnosnih uređaja. Redovno provjeravajte njihovu propisnu funkciju. Nemojte nikada činiti nešto što ometa predviđenu funkciju sigurnosnog uređaja ili ograničava zaštitu koju pruža sigurnosni uređaj.
- Nemojte nikada upotrebljavati makaze za živicu bez propisno postavljenih štitnika, ploča ili drugih sigurnosnih uređaja.
- Prije daljnje upotrebe makaza za živicu provjerite ima li oštećenih dijelova. Potrebno je pažljivo provjeriti štitnik ili drugi oštećeni dio kako biste utvrdili hoće li propisno raditi i obavljati svoju namjensku funkciju. Provjerite jesu li pokretni dijelovi centrirani i spojeni, ima li polomljenih dijelova, jesu li dijelovi montirani i postoji li stanje koje može negativno uticati na rad trimera. Štitnik ili drugi oštećeni dio treba propisno popraviti ili zamijeniti ovlaštenim servisnim centar ako u priručniku nije drukčije navedeno.
- Često provjeravajte propisnu pritegnutost montažnih vijaka noža i motora. Pregledajte nož na postojanje oštećenja (npr. da li je savijen, napukao i istrošen). Nož zamijenite samo s nožem proizvođača EGOTM.
- Zamijenite nož ako je savijen ili napukao. Necentrirani nož uzrokuje vibracije koje mogu oštetiti pogonsku jedinicu motora ili tjelesne povrede.
- Ako oprema počne neuobičajeno vibrirati, zaustavite motor i odmah potražite uzrok. Vibracije u pravilu ukazuju na problem.
- Makaze za živicu smiju se upotrebljavati za rezanje stabljika debljine manje od (33 mm).
- Šišajte samo na dnevnom svjetlu ili pri dobrom umjetnom osvjetljenju.
- Izvadite ili odspojite bateriju prije servisiranja, čišćenja ili uklanjanja materijala iz makaza za živicu.
- Uređaj nemojte prati crijevom; izbjegavajte da voda dospjeje u motor i električne priključke.

- Kod radova servisiranja upotrebljavajte samo identične zamjenske dijelove navedene u ovom priručniku. Upotreba dijelova koji ne ispunjavaju zahtjeve specifikacija originalne opreme može rezultirati nepropisnim radnim učinkom i nedovoljnom sigurnošću.
- Pridržavajte se uputstava za podmazivanje i zamjenu pribora.
- Rukohvate održavajte suhim, čistim i očišćenim od ulja i masti.
- Sačuvajte ova uputstva. Uputstvima se koristite često i koristite ih za upućivanje drugih osoba koje mogu koristiti ovaj alat. Ako ovaj alat nekom posudite, priložite i ovo uputstvo radi sprečavanja nepropisne upotrebe proizvoda i mogućih povreda.

SAČUVAJTE OVA UPUTSTVA!

TEHNIČKI PODACI

Model	HT5100E	HT6500E	
Napon	56 V ---	56 V ---	
Brzina vrtnje bez opterećenja	Visoka	1.600 o/min	1.600 o/min
	Niska	1.400 o/min	1.400 o/min
Preporučena radna temperatura:	0°C-40°C		
Preporučena temperatura skladištenja:	-20°C-70°C		
Dužina noža	51 cm	65 cm	
Kapacitet rezanja	33 mm	33 mm	
Masa (bez kompleta baterija)	3,6 kg	3,8 kg	
Izmjereni nivo zvučne snage L_{WA}	90 dB(A) K = 1,55 dB(A)	91,45 dB(A) K = 1,08 dB(A)	
Nivo zvučnog pritiska kod uha rukovaoca L_{PA} K = 2,5 dB(A)	81,5 dB(A)	81,4 dB(A)	
Zagarantovani nivo zvučne snage L_{WA} (u skladu s Direktivom 2000/14/EZ)	92 dB(A)	93 dB(A)	
Vibracije a_h K = 1,5 m/s ²	Front Handle	3,369 m/s ²	5,313 m/s ²
	Rear Handle	1,876 m/s ²	3,115 m/s ²

- Deklarisane ukupne vrijednosti vibracija izmjerene su u skladu sa standardnom metodom ispitivanja i mogu se primjenjivati za poređenje jednog alata s drugim.
- Deklarisane ukupne vrijednosti vibracija mogu se primjenjivati i u preliminarnoj procjeni izloženosti.

▲ NAPOMENA! Emisija vibracija tokom aktuelne upotrebe električnog alata može se razlikovati od deklarisanе vrijednosti u kojoj se alat upotrebljavao; Korisnik radi zaštite treba nositi rukavice i štitičke za uši u aktuelnim uslovima upotrebe.

LISTA PAKOVANJA

NAZIV DIJELA	KOLIČINA
Makaze za živicu	1
Štitnik	1
Korisnički priručnik	1

OPIS

UPOZNAJTE SVOJE MAKAZE ZA ŽIVICU (sl. A)

1. Dugme za oslobađanje baterije
2. Stražnji rukohvat
3. Okidač za deblokadu
4. Stražnja ručica za prebacivanje
5. Dugme za podešavanje brzine
6. Prednji rukohvat
7. Prednja ručica za prebacivanje
8. Štitnik za ruke
9. Štitnik noža
10. Nož
11. Štitnik za vrh
12. Bravica
13. Električni kontakti
14. Montažni utor
15. Mehanizam za izbacivanje
16. Bravica za rukohvat
17. Kućište motora
18. Štitnik

▲ UPOZORENJE! Ovaj proizvod isporučen je potpuno sastavljen. Štitnik za ruke nikada se ne smije uklanjati tokom upotrebe. U slučaju oštećenja, zamjenu odmah treba obaviti kvalifikovani servisni tehničar.

▲ UPOZORENJE! Sigurna upotreba ovog proizvoda zahtijeva razumijevanje informacija na alatu i u ovom korisničkom priručniku, kao i poznavanje radova koje namjeravate obaviti. Prije upotrebe ovog proizvoda upoznajte se sa svim radnim funkcijama i sigurnosnim propisima.

RAD

▲ UPOZORENJE! Nemojte dozvoliti da vas poznavanje ovog proizvoda učini nepažljivim. Imajte na umu da je za nanošenje teških povreda dovoljan samo djelić sekunde nepažnje.

▲ UPOZORENJE! Uvijek nosite zaštitne naočale s bočnim štitičnicima, zajedno sa zaštitom za sluh. Nepostupanje u skladu s tim može rezultirati odbacivanjem predmeta u oči i drugim mogućim teškim povredama.

▲ UPOZORENJE! Radi sprečavanja iznenadnog pokretanja koje može uzrokovati teške tjelesne povrede, uvijek izvadite komplet baterija iz alata kada postavljate dijelove, obavljate radove podešavanja, čišćenja ili kada ne upotrebljavate alat.

▲ UPOZORENJE! Nemojte upotrebljavati priključke ili pribor koje nije preporučio proizvođač EGO™. Upotreba nepreporučenih priključaka ili pribora može rezultirati teškim tjelesnim povredama.

Prije svake upotrebe pregledajte cijeli proizvod na postojanje oštećenih, nedostajućih ili otpuštenih dijelova, kao što su vijci, matice, osovinice, kapice, itd. Dobro pritegnite sve pričvrstne elemente i kapice i nemojte upotrebljavati ovaj proizvod dok ne postavite sve dijelove koji nedostaju ili zamijenite sve oštećene dijelove.

PRIMJENA

Ovaj proizvod možete upotrebljavati za šišanje živica, šiblja i grmova prečnika grana manjeg od 33 mm.

NAPOMENA! Alat se smije upotrebljavati samo za prethodno opisanu namjenu. Svaka druga upotreba smatra se nepropisnom upotrebom.

POSTAVLJANJE/SKIDANJE KOMPLETA BATERIJA

Komplet baterija napunite prije prve upotrebe.

Postavljanje (sl. B)

Poravnajte kontakte baterije s montažnim utorima i pritisnite komplet baterija prema dolje dok ne začujete zvuk "klikanja".

Skidanje (sl. C)

Pritisnite dugme za oslobađanje baterije i izvucite komplet baterija.

⚠ UPOZORENJE! Kada pritisćete dugme za oslobađanje baterije, uvijek pazite na položaj stopala, djeću ili kućne ljubimce. Ako komplet baterija padne, može doći do teških povreda. Komplet baterija nemojte NIKADA vaditi na visokom položaju.

POKRETANJE/ZAUSTAVLJANJE MAKAZA ZA ŽIVICU

Prije rukovanja uklonite štitnik i objema rukama držite makaze za živicu. Jednu ruku držite na stražnjem rukohvatu, a drugu na prednjem rukohvatu. Zatim provjerite stabilno držanje i ravnotežu, uspravan položaj tijela i propisnu udaljenost za rezanje.

⚠ UPOZORENJE! Uvijek držite obje ruke na rukohvatima makaza za živicu. Nemojte nikada da jednom rukom držite šiblje, a da drugom rukom rukujete makazama za živicu. Zanemarivanje ovog upozorenja može rezultirati teškim povredama.

Pokretanje

Dlanom pritisnite okidač za deblokadu, a zatim gurnite stražnju ručicu za prebacivanje prema gore. S pritisnutom stražnjom ručicom za prebacivanje nastavite pritisnuti prednju ručicu za prebacivanje radi pokretanja.

Zaustavljanje

Za zaustavljanje otpustite bilo koju ručicu za prebacivanje.

NAPOMENA! Za pokretanje makaza za živicu potrebno je pritisnuti obje ručice za prebacivanje.

UPOTREBA MAKAZA ZA ŽIVICU

⚠ UPOZORENJE! Ako se nož zaglavi u strujni kabel ili vod, NEMOJTE DODIRIVATI NOŽ! NOŽ MOŽE POSTATI ELEKTRIČNO VODLJIV I VRLO OPASAN. Makaze za živicu nastavite držati za izolirani stražnji rukohvat ili ih na siguran način položite na tlo i podalje od sebe. Prije pokušaja oslobađanja noža iz strujnog voda ili kabela isključite strujno napajanje oštećenog voda ili kabela. Zanemarivanje ovog upozorenja može rezultirati teškim ozljedama pa čak i smrću.

⚠ UPOZORENJE! Radi sprečavanja teških tjelesnih povreda držite ruke podalje od noževa. Kada se noževi kreću, nemojte pokušavati da uklanjate odrezani materijal ili da držite materijal koji je potrebno rezati. Uvjerite se da su se noževi potpuno zaustavili i da je komplet baterija izvađen prije čišćenja zaglavljeno materijala s noževa. Nemojte zahvaćati izložene rezne noževe ili rezne bridove kada uzimate ili držite jedinicu.

⚠ UPOZORENJE! Očistite radno područje prije svake upotrebe. Uklonite sve predmete poput kabela, svjetala, žica ili traka koji se mogu zaplesti u rezni nož i stvoriti opasnost od teških tjelesnih povreda.

⚠ UPOZORENJE! Izbjegavajte prekomjerno šišanje odjednom ili kroz gusto grmlje. To može uzrokovati sputavanje i usporavanje noževa uz smanjenje učinkovitosti rezanja.

NAPOMENA! Kod rezanja novoizraslih grančica primijenjujte široke zakretne pokrete kako bi grančice direktno dospjele u rezni nož. Kod starijih grančica primijenjujte pokrete žaganja za rezanje debljih grančica. Za rezanje velikih grana preporučujemo da prvo upotrijebite ručnu žagu ili žagu za stabla bez motornog pogona.

Rezanje s gornje strane

Režite širokim zakretnim pokretima. Blagim nagibom reznih noževa prema dolje u smjeru kretanja postižu se najbolji rezultati rezanja. Za bolji učinak rezanja možete upotrijebiti i nit za vođenje prema nivou živice kako je prikazano na sl. D.

Bočno rezanje

Kada šišate bočne strane živice, počnite odozdo i režite prema gore kako je prikazano na sl. E1 ili sl. E2.

Radikalno rezanje

Stražnji rukohvat makaza za živicu može se namjestiti u pet položaja ($0^\circ/\pm 45^\circ/\pm 90^\circ$) izvlačenjem zapora (sl. F1 do sl. F5). Ako je potreban radikalni rez, stražnji rukohvat namjestite na $\pm 45^\circ$ (sl. F2 & F4) za rezanje.

⚠ UPOZORENJE! Kada se rukohvat namješta, rezni nož ne smije raditi.

NAPOMENA! Tokom rada rukohvat uvijek mora biti usmjeren prema gore, bez obzira na to kako su makaze za živicu usmjerene.

Štitnik za vrh

Štitnik za vrh (sl. G) upotrebljava se za zaštitu vanjskog kraja noža.

Štitnik noža

Vanjski dio noževa oblikovan je kao štitnici noža (sl. H).

H-1	Nož
H-2	Štitnik noža

⚠ UPOZORENJE! Uvijek provjerite da štitnik noža nije oštećen ili izobličen. Zamijenite ga ako je savijen ili oštećen.

ODRŽAVANJE

⚠ UPOZORENJE! Kada obavljate radove servisiranja, upotrebljavajte samo identične zamjenske dijelove. Upotreba drugih dijelova može uzrokovati opasnost ili oštećenje proizvoda. Radi osiguranja sigurnosti i pouzdanosti, sve popravke treba obavljati kvalifikovani servisni tehničar.

⚠ UPOZORENJE! Radi izbjegavanja teških tjelesnih povreda, uvijek izvadite komplet baterija iz proizvoda prije obavljanja radova čišćenja ili održavanja.

ČIŠĆENJE

- Za uklanjanje naslaga iz svih ulaznih otvora za zrak i reznog noža upotrebljavajte mekanu četku.
- Za uklanjanje smole i drugih ljepljivih ostataka po noževima raspršite rastvor za uklanjanje smole. Nakratko uključite motor radi ravnomjerne raspodjele rastvora.
- Obrišite površinu suhom krpom.

⚠ UPOZORENJE! Za čišćenje trimera nemojte nikada upotrebljavati vodu. Kada čistite plastične dijelove, izbjegavajte upotrebljavati rastvore. Mnoge plastike mogu se oštetiti različitim vrstama komercijalnih rastvora. Za uklanjanje prljavštine, prašine, ulja, masti i sl. upotrebljavajte čiste krpe.

OŠTRENJE REZNOG NOŽA

1. Izvadite komplet baterija iz makaza za živicu.
2. Stegnite sklop noža u škripcu i isturpijajte izloženu reznu površinu svakog zuba noža. Uklonite što je moguće manje materijala.
3. Izvadite makaze za travu iz škripca i podesite nenaoštreni nož da bude izložen s druge strane. Ponavljajte prethodno navedene postupke dok ne naoštrite sve zube noža.

NAPOMENA! Makaze za živicu nemojte upotrebljavati s tupim ili oštećenim reznim noževima. To može uzrokovati preopterećenje alata i rezultirati nezadovoljavajućim rezultatima rezanja.

PODMAZIVANJE NOŽA

Za najbolji rad i duži radni vijek noža, nož makaza za živicu podmazujte laganim mašinskim uljem prije i nakon svake upotrebe.

Izvadite komplet baterija i položite makaze na ravnu površinu. Nanesite ulje na gornji rub noža.

NAPOMENA! Za produženi period upotrebe, na nož nanosite ulje tokom postupka rezanja.

⚠ UPOZORENJE! Postupak podmazivanja nemojte obavljati kada makaze za živicu rade.

PODMAZIVANJE PRIJENOSNIKA

Za najbolji rad i duži radni vijek, prijenosnik makaza za živicu podmazujte specijalnom mašću (5 - 6 g u br. 1 i 10 - 12 g u br. 2 Svaki put) nakon svakih 25 sati rada.

NAPOMENA! Za pomoć se obratite lokalnoj servisnoj službi proizvođača ego.

Specijalna mast mora ispunjavati sljedeće zahtjeve:

1. Spadati u DIN51818: NLGI-2 gradaciju penetracije konusa.
2. Sastojati se od ugušćivača na bazi poliuree + sintetičkog ulja za podmazivanje.
3. Izuzetno pokretanje na niskoj temperaturi, EP, mehanički posmak, svojstva otpornosti na abraziju i oksidacijske stabilnosti.
4. Radna temperatura mora biti -40 - 180 °C.

TRANSPORT I SKLADIŠTENJE

- Prije skladištenja ili transporta makaza za živicu, na nož uvijek stavite štitnik. Budite oprezni kako biste izbjegli oštre zube noža.
- Makaze za živicu dobro očistite prije skladištenja.
- Makaze za živicu skladištite u zatvorenim prostorima na suhom mjestu nedostupnom djeci.
- Alat držite podalje od korozivnih sredstava kao što su vrtna hemijska sredstva i soli za odmrzavanje.

UPOZORENJE! Noževi su oštri. Kada rukujete sklopom noževa, nosite neklizajuće zaštitne rukavice za teške uslove rada. Nemojte stavljati ruku ili prste između noževa ili u bilo koji položaj gdje se mogu priklještit ili posjeci. Nemojte NIKADA dodirivati noževe ili servisirati jedinicu s postavljenim kompletom baterija.

Zaštita životne sredine



Električnu opremu, punjač baterije i baterije/punjive baterije ne odlažite u kućni otpad!

Evropska Direktiva 2012/19/EU o električnoj i elektroničkoj opremi koja više nije iskoristiva i Evropska Direktiva 2006/66/EZ zahtijevaju da se neispravni ili iskorišteni kompleti baterija/baterije moraju sakupljati zasebno.

Ako se električni uređaji odlažu na odlagališta otpada ili deponije, opasne tvari mogu iscurjeti u podzemne vode i dospjeti u lanac ishrane i negativno uticati na zdravlje i dobrobit ljudi.

OTKLANJANJE PROBLEMA

PROBLEM	UZROK	RJEŠENJE
Makaze za živicu ne rade.	<ul style="list-style-type: none"> ■ Komplet baterija nije pričvršćen na makaze za živicu. 	<ul style="list-style-type: none"> ■ Pričvrstite komplet baterija na makaze za živicu.
	<ul style="list-style-type: none"> ■ Nema električnog kontakta između makaza i baterije. 	<ul style="list-style-type: none"> ■ Izvadite bateriju, provjerite kontakte i ponovo stavite komplet baterija.
	<ul style="list-style-type: none"> ■ Komplet baterija je ispražnjen. 	<ul style="list-style-type: none"> ■ Napunite komplet baterija.
	<ul style="list-style-type: none"> ■ Komplet baterija je previše vruć. 	<ul style="list-style-type: none"> ■ Izvadite komplet baterija iz alata i pričekajte da se ohladi na temperaturu ispod 67 °C.
	<ul style="list-style-type: none"> ■ Makaze za živicu su previše vruće. 	<ul style="list-style-type: none"> ■ Otpustite obje ručice za prebacivanje. Pričekajte da se makaze za živicu ohlade na temperaturu ispod 77 °C.
	<ul style="list-style-type: none"> ■ Dvije ručice za prebacivanje ne pritišću se istovremeno. 	<ul style="list-style-type: none"> ■ Istovremeno pritisnite ručice za prebacivanje na prednjem i stražnjem rukohvatu.
	<ul style="list-style-type: none"> ■ Nož se zaglavio. 	<ul style="list-style-type: none"> ■ Izvadite komplet baterija iz alata. Pažljivo uklonite zapreku, a zatim ponovo stavite bateriju i pokrenite alat.
Prevelike vibracije ili buka.	<ul style="list-style-type: none"> ■ Suhi ili korodirani noževi. 	<ul style="list-style-type: none"> ■ Podmažite noževe prema uputstvima u odjeljku „PODMAZIVANJE NOŽA“ u ovom priručniku.
	<ul style="list-style-type: none"> ■ Noževi su savijeni ili je držač noževa savijen. 	<ul style="list-style-type: none"> ■ Stavite novi nož ili držač noža. Za zamjenu noža ili držača noža obratite se servisnom centru proizvođača EGO.
	<ul style="list-style-type: none"> ■ Savijen ili oštećen nož. 	<ul style="list-style-type: none"> ■ Stavite novi nož. Za zamjenu noža obratite se servisnom centru proizvođača EGO.
	<ul style="list-style-type: none"> ■ Opušteni vijci noža. 	<ul style="list-style-type: none"> ■ Pritegnite vijke noža. Za pritezanje, ključem okrenite vijak u smjeru kretanja kazaljki na satu.

GARANCIJA

POLITIKA GARANCIJE PROIZVOĐAČA EGO

Za sve odredbe i uslove politike garancije proizvođača EGO posjetite internetsku stranicu egopowerplus.com.

קראו את כל ההוראות!



קראו והבינו את מדריך ההוראות

סיכון שאריתי! אנשים בעלי מכשירים חשמליים כגון קוצבי לב, צריכים להתייעץ עם הרופא(ים) המטפל(ים) בהם לפני השימוש במכשיר זה. הפעלה של ציוד חשמלי בקרבת קוצבי לב עלולה להפריע לפעולת הקוצב או אפילו להפסיק את פעולתו.

⚠ אזהרה: על מנת להבטיח בטיחות ואמינות, יש לבצע את כל התיקונים וההחלפות בעזרת טכנאי שירות מוסמך.

סימני בטיחות

מטרתם של סימני הבטיחות היא למשוך את תשומת לבכם אל סכנות אפשריות. סימני הבטיחות וההסברים שלהם דורשים את תשומת הלב וההבנה המלאות שלכם. סימני הבטיחות בעצמם לא ימנעו כל סכנה. ההוראות והאזהרות אותן הם מספקים לא תחלפנה נקיטת אמצעי מניעה מתאימים בעת תאונה.

⚠ אזהרה: וודאו שאתם קוראים ומבינים את כל הוראות הבטיחות המופיעות במדריך זה למשתמש, כולל את כל סימני התרעות הבטיחות כגון "סכנה", "אזהרה" ו-"זהירות" לפני השימוש במכשיר זה. אי מילוי אחר כל הוראות המופיעות למטה יכול לגרום אחריו שוק חשמלי, שרפה ו/או פציעות חמורות.

פירוש הסימן

סימן התרעת בטיחות: מעיד על "סכנה", "אזהרה" או "זהירות". יכול להיות מלווה בסימנים או תמונות אחרים.

⚠ אזהרה: הפעלה של כל מכשיר עלולה לגרום לעצמים זרים להיזרק אל תוך העיניים, דבר העלול לגרום לנזק חמור לעיניים. לפני הפעלה של כל מכשיר, ענדו תמיד משקפי מגן או משקפי בטיחות עם הגנה צדדית, ובעת הצורך, הגנה עבור כל הפנים. אנו ממליצים על שימוש במסכת בטיחות רחבה מעל למשקפי המגן או על שימוש במשקפי בטיחות עם הגנה צדדית.

הוראות בטיחות

עמוד זה מצוין ומתאר את סימני הבטיחות העלולים להופיע על גבי המוצר. קראו, הבינו ועקבו אחר ההוראות המופיעות על המכונה לפני כל ניסיון להרכיב ולהשתמש בה.

	התרעת בטיחות	מראה על סכנת פציעה אישית פוטנציאלית.
	קראו את מדריך ההוראות	על מנת להפחית את הסיכון לפציעות, על המשתמש לקרוא את המדריך למשתמש.
	נא לא לחשוף לגשם	אזהרה: נא לא להשתמש במזג אוויר גשום או להשאיר בחוץ בגשם.
	אורך הלהב	אורך הלהב
	יכולת חיתוך	מקסימום יכולת החיתוך של הלהב
V	וולט	וולט'
A	אמפרים	זרם
Hz	הרץ	תדירות (מחזורים לשנייה)
W	וואט	מתח
min	דקות	זמן
	זרם חלופי	סוג זרם
	זרם ישיר	סוג או מאפיין מתח
η_0	מהירות ללא עומס	מהירות סיבובית, ללא עומס
... /min	לדקה	סיבובים לדקה
SPM	מכות לדקה	מהירות מכה, ללא עומס

אזהרות בטיחות כלליות עבור מכשירים חשמליים

⚠ אזהרה: קראו את כל אזהרות הבטיחות ואת ההוראות. אי מילוי אחר כל האזהרות וההוראות עלול לגרום אחריו שוק חשמלי, שרפה ו/או פציעות חמורות.

שימרו את כל האזהרות וההוראות לעיון עתידי.

המושג "מכשיר חשמלי" בחלק האזהרות מתייחס אל המכשיר החשמלי שלכם (חוטני) או מכשיר חשמלי המונע על ידי סוללות (אלחוטני).

בטיחות סביבת העבודה

- שימרו על סביבת העבודה נקייה ומאזרת כהלכה. סביבות לא מסודרות ואפלות מזמינות תאונות.

- **מנעו הפעלה מקרית.** וודאו שהמתג נמצא במצב כבוי לפני חיבור של מקור מתח ו/או מארז הסוללה, לפני הרמת המכשיר החשמלי או נשיאתו. נשיאה של מכשירים חשמליים כאשר האצבע שלכם ממוקמת על המתג או חיבור מקורות מתח למכשירים חשמליים בנמצאים במצב פועל, מזמינים תאונות.
- **הסירו כל כלי כוונן או מפתח ברגים לפני ההפעלה של המכשיר החשמלי.** מפתח ברגים או כלי כוונן המוצמד אל חלק מסתובב של המכשיר החשמלי עלולה לגרום לפציעה אישית חמורה.
- **אל תבצעו מאמץ יתר.** שימרו על צעידה ואיזון בטוחים בכל זמן. הדבר מאפשר שליטה טובה יותר במכשיר החשמלי במצבים לא צפויים.
- **לבשו בגדים מתאימים.** אל תלבשו בגדים רפויים או תכשיטים. שימרו על השיער שלכם ועל חלקי ביגוד וכפפות הרחק מחלקים נעים. בגדים רפויים, תכשיטים או שיער ארוך עלולים להיתפס בחלקים הנעים.
- **אם המכשירים מגיעים ביחד עם חיבור להוצאת אבק ומתקני איסוף,** וודאו שאלו מחוברים כהלכה והשימוש בהם נעשה באופן נכון. השימוש במתקני אבק יכול להפחית סכנות הקשורות לאבק.
- **השימוש והטיפול במכשיר החשמלי**
 - **אל תפעילו כוח על המכשיר החשמלי.** השתמשו במכשיר החשמלי המיועד למטרה שלכם. המכשיר החשמלי הנכון יבצע את עבודתו בצורה טובה ובטוחה יותר בקצב בו הוא עוצב.
 - **אל תשתמשו במכשיר החשמלי אם מתג ההפעלה והכיבוי איננו פועל.** כל מכשיר חשמלי אשר לא ניתן לשלוט בו בעזרת המתג הוא מסוכן ויש לתקן אותו.
 - **נתקו את התקן ממקור החשמל** ו/או הסירו את מארז הסוללה מן המכשיר החשמלי לפני ביצוע כל התאמה, שינוי של אביזרים, או אחסון של מכשיר חשמלי. אמצעי זהירות למניעה אלו מפחיתים את הסיכון להפעלה מקרית של המכשיר החשמלי.
 - **אחסנו מכשירים חשמליים אשר אינם בשימוש הרחק מהישג ידם של ילדים ואל תאפשרו לאנשים אשר אינם מכירים את המכשיר החשמלי או אשר לא קראו את ההוראות להפעיל את המכשיר החשמלי.** מכשירים חשמליים מסוכנים בידם של אנשים אשר לא הוכשרו להפעיל אותם.
 - **תחזקו מכשירים חשמליים.** בדקו יישור או ליפוף של חלקים נעים, שבירה של חלקים וכל תנאים אחרים אשר עלולים להשפיע על פעולת המכשיר החשמלי. אם המכשיר החשמלי ניזוק, יש לתקן אותו לפני השימוש בו. תאונות רבות נגרמות כתוצאה מתחזוקה לקויה מכשירים חשמליים.
 - **שימרו על כלי החיתוך חדים ונקיים.** לכלי חיתוך אשר תוחזקו כהלכה בעלי קצוות חדים יש פחות סיכוי לבצע ליפוף וקל יותר לשלוט בהם;

- **אל תפעילו את המכשיר החשמלי באזורים דליקים, בנוכחות נוזלים דליקים, גזים או אבק.** המכשירים החשמליים מייצרים ניצוצות העלולים להצית את האבק או האדים.
- **בקשו מילדים ומעוברי אורח להתרחק מן המכשיר החשמלי בעת הפעלתו.** הסחות דעת עלולות לגרום לכם לאבד את השליטה.

בטיחות חשמלית

- **התקעים של המכשיר החשמלי צריכים להיות מתאימים לשקע.** לעולם אל תשנו את התקע בכל צורה שהיא. אל תשתמשו במתאמים עבור תקעים של מכשירים חשמליים בעלי הארקה. תקעים שלא שונו ושקעים מתאימים יפחיתו את הסיכון לשוק חשמלי.
- **הימנעו ממגע עם משטחים בעלי הארקה, כגון צינורות, רדיאטורים, כיריים ומקררים.** יש סיכון גבוה לשוק חשמלי אם הגוף שלכם מוארק.
- **אל תחשפו את המכשיר החשמלי אל הגשם או תנאים רטובים.** מים הנכנסים אל המכשיר החשמלי יגבירו את הסכנה לשוק חשמלי.
- **אל תפעילו לחץ על הכבל.** לעולם אל תשתמשו בכבל על מנת לשאת, למשוך או להוציא את המכשיר החשמלי מן השקע. שימרו על הכבל הרחק ממקורות חום, שמן, קצוות חדים או חלקים נעים. כבלים ניזוקים או מלופפים מגבירים את הסיכון לשוק חשמלי.
- **בעת הפעלת המכשיר החשמלי בחוץ, עשו שימוש בכבל מאריך המתאים לשימוש בחוץ.** השימוש בכבל מאריך המתאים לשימוש בחוץ מפחית את הסיכון לשוק חשמלי.
- **אם אין מניעה מהפעלת המכשיר החשמלי במקום לח, עשו שימוש בממסר פחת (DCR) להגנה על המתח.** השימוש בממסר פחת מפחית את הסיכון לשוק חשמלי.

בטיחות אישית

- **הישארו דרוכים,** הביטו במה שאתם עושים והשתמשו בשכל הישר כאשר אתם משתמשים במכשיר החשמלי. נא לא להשתמש במכשיר החשמלי כאשר אתם עייפים או תחת השפעה של סמים, אלכוהול או תרופות. רגע אחד של חוסר תשומת לב בעת הפעלת המכשיר החשמלי עלול לגרום לפציעה אישית חמורה.
- **השתמשו בצידוד הגנה אישי.** תמיד לבשו מגני עיניים. כאשר נעשה שימוש בצידוד הגנה כגון מסכת אבק, נעלי בטיחות נגד החלקה, כובעים קשים או מגני אוזניים, בתנאים המתאימים, הדבר יפחית את הסיכון לפציעות אישיות חמורות.

• בדקו את הגדר עבור עצמים זרים לפני ההפעלה, כגון גדרות תיל.

• השתמשו בגוזם הגדרות רק כאשר המגן הורכב כהלכה. השימוש בגוזם הגדרות ללא המגן הנכון עלול לגרום לפציעה אישית חמורה!

• **השתמשו בשתי הידיים בעת ההפעלה של גוזם הגדרות. השימוש ביד אחת בלבד עלולה להביא לאבדן שליטה ולפציעה אישית חמורה.**

⚠ אזהרה: בדקו את הגדר עבור עצמים זרים לפני ההפעלה, כגון גדרות תיל. השתמשו בגוזם הגדרות רק כאשר המגן הורכב כהלכה. השימוש בגוזם הגדרות ללא המגן הנכון עלול לגרום לפציעה אישית חמורה!

הוראות בטיחות חשובות

• אל תשתמשו בגוזם הגדרות המופעל על ידי סוללות בתנאי גשם.

• אל תטעו את מארז הסוללה בתנאי גשם, או במקומות יבשים.

• A השתמשו רק עם מארזי הסוללה והמטענים הרשומים באיור

• אל תחזיקו את להבי החיתוך החשופים או את קצוות החיתוך בעת ההרמה או ההחזקה של גוזם הגדרות.

• אין להשתמש בעת עמידה על סולם, גג, עץ או מקום לא יציב אחר. עמידה יציבה על גבי משטח מוצק מעניקה שליטה טובה יותר על גוזם הגדרות במצבים לא צפויים.

• לעולם אל תרשו לילדים להפעיל את גוזם הגדרות.

• לעולם אל תסירו או תשנו אמצעי בטיחות. בדקו באופן סדיר את פעולתם הסדירה. לעולם על תעשו משהו אשר יפריע לפונקציה המיועדת של אמצעי בטיחות או על מנת להפחית את ההגנה המסופקת על ידי אמצעי בטיחות מסוים.

• לעולם אל תפעילו את גוזם הגדרות ללא מגנים מתאימים, לוחיות או כאשר אמצעי ההגנה הנוספים אינם נמצאים במקומם.

• בדקו חלקים ניזוקים לפני ההפעלה של גוזם הגדרות. יש לבדוק בזהירות את המגן או כל חלק פגום על מנת לקבוע שהוא יפעל כהלכה ויבצע את הפונקציות המיועדות לו. בדקו ישור של חלקים נעים, ליפוף של חלקים נעים, שבירה של חלקים, הרכבה וכל תנאים אחרים אשר עלולים להשפיע על פעולתם. יש לתקן או להחליף מגנים או כל חלקים אחרים כהלכה בעזרת מרכז שירות מוסמך אלא אם כן נאמר אחרת במדריך הוראות זה.

• **השתמשו במכשירים החשמליים, באביזרים, בחתיכות המכשירים וכו' בהתאם להוראות, כאשר אתם לוקחים בחשבון את תנאי העבודה ואת העבודה שיש לבצע.** שימוש במכשיר החשמלי לפעולות אחרות מאשר אלו אליהן הוא מיועד עלול להסתיים במצב מסוכן.

השימוש והטיפול בסוללה

• **הטעינו רק עם המטען המצוין על ידי היצרן.** מטען המתאים למארז סוללה אחד עלול ליצור סכנת אש עבור מארז סוללה אחר.

• **השתמשו במכשירים חשמליים עם מארזי סוללה המיועדים להם.** השימוש במארזי סוללה אחרים עלול ליצור סיכון לפציעות ושרפות.

• **כאשר מארז הסוללה איננו בשימוש, שימרו עליו במרחק מסוים מעצמים אחרים העשויים ממתכת, כגון מהדקי נייר, מטבעות, מפתחות, מסמרים, ברגים או עצמים קטנים ממתכת העלולים לבצע חיבור של מסוף אחד למשנהו.** ביצוע קצר בין מסופי הסוללה עלול לגרום לכוויות או שרפה.

• **תחת תנאי שימוש לא נאותים, נזל עלול להיפלט מן הסוללה; הימנעו ממגע. אם ישנו מגע מקרי, שטפו במים.** אם מתרחש מגע עם העיניים, בנוסף, פנו לעזרה רפואית. נזל הנפלט מן הסוללה עלול לגרום לפריחה או כוויות.

שירות

• **ביצוע עבודות שירות על המכשיר החשמלי שלכם רק באמצעות טכנאי שירות מוסמך העושה שימוש רק בחלקי חילוף זהים.** הדבר יבטיח שבטיחות המכשיר החשמלי נשמרת.

אזהרות בטיחות עבור גוזם הגדרות

• **שימרו על כל חלקי הגוף הרחוק מלהב החיתוך. אל תסירו חומר חיתוך או תחזיקו חומרים לחיתוך כאשר הלהבים נעים. ודאו שהמתג כבוי בעת ניקוי חומרים תקועים.** רגע אחד של חוסר תשומת לב בעת הפעלת גוזם הגדרות עלול לגרום לפציעה אישית חמורה.

• **נישאו את גוזם הגדרות באמצעו הידית כאשר הלהב איננו פועל.** בעת הובלה או אחסון של גוזם הגדרות, התאימו תמיד את מכסה התקן החיתוך. טיפול נכון בגוזם הגדרות יפחית את הסיכון לפציעות אישיות מלהבי החיתוך.

• **החזיקו את המכשיר החשמלי בעזרת משטחי המאחז המבודדים בלבד, בגלל שהלהב עלולה לפגוע בכבלים חבויים.** להבים הבאים במגע עם כבל "חי" עלולים להפוך ל"חיים" חלקי מתכת של הכלי החשמלי ועלולים לגרום שוק חשמלי למפעיל.

• **שימרו על הכבל הרחוק מאזור החיתוך.** חוטי מתח או כבלים עלולים להיות חבויים בתוך שיחים והלהב יכול לחתוך אותם בטעות.

- בדקו את הלהב ואת בורגי ההרכבה בתדירויות קבועות על מנת שהיה הדוקים כהלכה. כמו כן, בדקו באופן חזותי את הלהב לסימני נזק (לדוגמה, כיפופים, סדקים או סימני בליאי). החליפו את הלהב רק עם להב של EGO™.
- החליפו את הלהב אם הוא עקום או סדוק. להב לא מאוזן עלול לגרום לרטט אשר עלול להזיק ליחידת המנוע או לגרום לפגיעה אישית.
- אם הציוד מתחיל לרטוט באופן שאינו נורמלי, עצרו את המנוע וחפשו מיד את הסיבה לכך. רטט הוא בדרך כלל סימן לבעיות.
- יש להשתמש בגוזם על מנת לחתוך גבעולים אשר דקים מקוטר של 33 מ"מ.
- כסחו את הדשא רק באור יום או באור מלאכותי חזק. הסירו או נתקו את הסוללה לפני ביצוע של כל עבודות תיקון, ניקיון או הסרה של חומרים מגוזם הגדרות.
- נא לא לטפוף את המכשיר בעזרת צינור; מנעו ממים להיכנס אל המנוע ואל חיבורי החשמל.
- במקרה של עבודות תיקון, השתמשו רק בחלקי חילוף זהים המופיעים במדריך זה. שימוש של חלקים אשר לא מתאימים למפרטים של הציוד המקורי עלולים להוביל לביצועים לא מתאימים ולפגוע בבטיחות הציוד.
- עקבו אחר ההוראות בנוגע לשימון ואביזרי החלפה.
- שימרו על הידיות יבשות, נקיות וללא שמן או חומרי סיכה.
- שימרו על הוראות אלו. עיינו בהם בתדירות גבוהה והשתמשו בהם על מנת להדריך אחרים אשר עלולים להשתמש במכשיר. אם אתם מלווים את הכלי למישהו אחר, תנו לו גם את ההוראות הללו על מנת למנוע שימוש לא נכון של המכשיר או פגיעות אפשריות.

שמירו על הוראות אלו!

מפרטים

	דגם	HT5100E	HT6500E
	וולטז'	56 V	56 V
מהירות ללא עומס	גבוה	1600/דקה	1600/דקה
	נמוך	1400/דקה	1400/דקה
טמפרטורת הפעלה מומלצת:		0°C-40°C	
טמפרטורת אחסון מומלצת:		-20°C-70°C	
	אורך הלהב	51 ס"מ	65 ס"מ
	יכולת חיתוך	33 מ"מ	33 מ"מ
	משקל (ללא מארז סוללה)	3.6 ק"ג	3.8 ק"ג

L_{WA}	רמת עוצמת קול נמדדת	90dB(A) 1.55=K dB(A)	91.45 dB(A) 1.08=K dB(A)
	רמת לחץ קול בעמדת המפעיל L_{PA} K=2.5 dB(A)	81.5 dB(A)	81.4 dB(A)
L_{WA}	רמת עוצמת קול מובטחת (בהתאם ל-2000/14/EC)	92 dB(A)	93 dB(A)
a_h רטט K=1.5 מ"שנייה ²	ידיית קדמית	3.369 מ"שנייה ²	5.313 מ"שנייה ²
	ידיית אחורית	1.876 מ"שנייה ²	3.115 מ"שנייה ²

- ערך הרטט הכללי המוצהר נמדד בהתאם עם שיטת בדיקה סטנדרטית ונעתן להשתמש בו על מנת להשוות ציוד אחד עם ציוד אחר;
- ניתן להשתמש בערך הרטט הכללי המוצהר בהערכה ראשונית של חשיפה.

הודעה: פליטת הרטט בעת השימוש המעשי בכלי יכולה להיות שונה מן הערך המוצהר כאשר הכלי נמצא בשימוש; על מנת להגן על המפעיל, על המשתמש ללבוש כפפות ומגני אוזניים בעת השימוש למעשה.

רשימת אריזה

שם חלק	כמות
גוזם גדרות	1
מגן	1
מדריך למפעיל	1

תיאור

הכירו את גוזם הגדרות שלכם (תמונה A)

- כפתור שחרור סוללה
- ידיית אחורית
- הדק נעילה
- דושת מתג אחורית
- מתג כוונון מהירות
- ידיית קדמית
- דושת מתג קדמית
- מגן יד
- מגן להב
- להב
- מגן קצה

12. בריו
13. חיבורים חשמליים
14. חריץ הרכבה
15. מנגנון פליטה
16. מנעול לידית
17. תא מנוע
18. מגן

התקנה/הסרה של מארז הסוללה

הטעינו לפני השימוש הראשון.

על מנת להתקין (תמונה B)

ישירו את עורקי הסוללה עם חריצי ההרכבה ולחצו את מארז הסוללה כלפי מטה עד אשר ישמע „קליק“.

על מנת להסיר (תמונה C)

לחצו על כפתור שחרור הסוללה והסירו את מארז הסוללה.

⚠ אזהרה: תמיד היו מודעים אל המיקום של הרגליים שלכם, ילדים או חיות מחמד, בעת לחיצה על כפתור שחרור הסוללה. עלולה להיגרם פציעה חמורה אם מארז הסוללה יפול. לעולם אל תסירו את מארז הסוללה במקומות גבוהים.

הפעלה/כיבוי של גוזם הגדרות

לפני ההפעלה, הסירו את המגן החזיקו את הגוזם עם שתי הידיים, יד אחת על הידיית האחורית והיד השנייה על הידיית הקדמית. לאחר מכן בדקו שהיציבה שלכם מאוזנת וישירה, ושמרחק החיתוך מתאים.

⚠ אזהרה: החזיקו תמיד את שתי הידיים על ידיות גוזם הגדרות. לעולם אל תחזיקו שיחים עם יד אחת בעוד אתם מפעילים את גוזם הגדרות עם היד השנייה. אם תעשו זאת הדבר עלול לגרום לפציעה חמורה.

על מנת להפעיל

לחצו על הדק הנעילה בעזרת כף היד ולחצו על דוושת המתנת האחורית כלפי מעלה. כאשר דוושת המתנת האחורית לחוצה, המשיכו לחלוח על דוושת המתנת הקדמית להפעלה.

על מנת לכבות

שחררו את כל אחת מדוושות המתנת על מנת לכבות.

הודעה: יש לחלוח על שתי דוושות המתנת על מנת להפעיל את גוזם הגדרות.

השימוש בגוזם הגדרות

⚠ אזהרה: אם הלהב נתקע בחוט או כבל חשמלי, אל תיגעו בלהב! הלהב עלול להפוך ל"חי" וישנה סכנה. המשיכו להחזיק את הגוזם בעזרת הידיית האחורית המבודדת או הניחו אותו למטה ובמרחק ממכם בצורה בטוחה. נתקו את המתח מן החוט או הכבל הניזוקים לפני כל ניסיון לשחרר את הלהב מן החוט או הכבל. אם לא תעשו זאת, התוצאה עלולה פציעה אישית חמורה או אפילו מקרה מוות.

⚠ אזהרה: מוצר זה נשלח כאשר הוא מורכב לגמרי. לעולם אין להסיר את מגן היד בעת השימוש. כאשר ניזוק, החליפו את מגן היד מיד על ידי שימוש בטכנאי המוסמך לכך.

⚠ אזהרה: השימוש הבטוח במוצר זה מצריך הבנה של המידע הנמצא על גבי המכשיר ובמדריך הוראות זה, כמו גם ידע בנוגע לפרויקט אותו אתה מנסה לבצע. לפני השימוש במוצר זה, התוודע לכל מאפייני ההפעלה וחוקי הבטיחות.

הפעלה

⚠ אזהרה: אל תניחו לעובדה שאתם מכירים את המוצר להפוך אתכם לפחות זהירים. זכרו שחוסר זהירות של שבריר אחד של שנייה מספיק לגרום לפציעה אישית חמורה.

⚠ אזהרה: ענדו תמיד משקפי בטיחות עם הגנה צדדית, ביחד עם מגני שמיעה. אם לא תעשו זאת עצמים עלולים להיזרק אל תוך העיניים שלכם ועלולות להיגרם פציעות חמורות.

⚠ אזהרה: על מנת למנוע הפעלה מקרית אשר עלולה להוביל לפציעה אישית חמורה, הסירו תמיד את מארז הסוללה מן המכשיר בעת הרכבת חלקים, ביצוע התאמות, ניקיון או כאשר המכשיר איננו נמצא בשימוש.

⚠ אזהרה: אל תעשו שימוש בחיבורים או אביזרים אשר לא הומלצו על ידי EGO™. השימוש בחיבורים או אביזרים אשר לא הומלצו עלול לגרום לפציעה חמורה.

לפני כל שימוש בדקו את כל המוצר עבור חלקים ניזוקים, משוחררים או חסרים, כגון ברגים, אומים, בריחים, מכסים וכו'. הדקו בבטחה את כל האבזמים והמכסים ואל תפעילו את המוצר עד אשר חלקים חסרים או ניזוקים תוקנו או הוחלפו.

יישום

אתם יכולים להשתמש במכשיר זה על מנת לגזום גדרות, שיחים וסבכים עם קוטר ענף של פחות מ-33 מ"מ.

הודעה: יש להשתמש במכשיר רק עבור המטרות להן הוא יועד. כל שימוש אחר יחשב לשימוש בלתי הולם.

מגן להב

הצד החיצוני של הלהבים מעוצב כמגני להב (תמונה H).

H-1	להב
H-2	מגן להב

אזהרה: בדקו תמיד שמגן הלהב אינו ניזוק או מעוות. החליפו אותו אם כפוף או ניזוק.

תחזוקה

אזהרה: במקרה של עבודות תיקון, השתמשו רק בחלקי חילוף זהים. שימוש בחלקי חילוף אחרים עלול לגרום לסכנה או נזק למוצר. על מנת להבטיח בטיחות ואמינות, יש לבצע את כל התיקונים וההחלפות בעזרת טכנאי שירות מוסמך.

אזהרה: על מנת למנוע פציעות אישיות, הסירו תמיד את מארז הסוללה מן המוצר לפני הניקיון או ביצוע כל עבודת תחזוקה.

ניקיון

- השתמשו במברשת רכה על מנת להסיר פסולת מכל פתחי האוורור ומלהב החיתוך.
- על מנת להרים ולהסיר פסולת נדבקת אחרת, רסו את הלהב עם ממש שרף. הפעילו את המנוע לזמן קצר על מנת להפיץ את הממש בצורה אחידה.
- נקו את המשטח עם מטלית יבשה.

אזהרה: לעולם אל תעשו שימוש במים על מנת לנקות את הגוזם שלכם. הימנעו משימוש בממסים כאשר אתם מנקים חלקי פלסטיק. רוב חלקי הפלסטיק עלולים להיזקק מסוגים שונים של ממסים מסחריים. השתמשו במטליות נקיות על מנת להסיר לכלוך, אבק, שמן, חומר סיכה וכו'.

להב החיתוך עקום.

- הסירו את מארז הסוללה מגוזם הגדרות.
- החזיקו את חיבור החיתוך במלחציים ועשו שימוש בפצירה על מנת לשייף את משטח הלהב החשוף של כל שן בלהב. הסירו מעט חומר ככל שניתן.
- הסירו את גוזם הגדרות מן המלחציים ויישרו את הלהב הקהה בצד השני החשוף. חזרו על הפעולות הקודמות עד אשר כל שיני הלהב חודדו.

הודעה: אל תפעילו את גוזם הגדרות שלכם עם הלהבים קהים או ניזוקים. הדבר יכול לגרום לעומס יתר ולתוצאות חיתוך בלתי מספקות.

אזהרה: על מנת למנוע פציעה אישית, שימרו את הידיים הרחק מן הלהבים. אל תנסו להסיר חומר חיתוך או להחזיק חומרים לחיתוך כאשר הלהבים נעים. וודאו שהלהבים נעצרו לגמרי ושמארז הסוללה מוסר לפני ניקיון של חומרים מן הלהבים. אל תחזיקו את להבי החיתוך או את קצוות החיתוך בעת ההרמה או ההחזקה של היחידה.

אזהרה: נקו את האזור שיש לגזום לפני כל שימוש. הסירו את כל העצמים, כגון כבלים, אורות, חוטים או שרוכים אשר עלולים להיתפס בלהב החיתוך וליצור סיכון של פציעה אישית חמורה.

אזהרה: הימנעו מלגזום כמות גדולה מדי בפעם אחת או שיחים בעלי עלים רבים. הדבר עלול לגרום ללהבים להיקשר ולעבוד לאט יותר, כאשר הוא מפחית את יעילות החיתוך.

הודעה: עבור צמחים חדשים, אנו ממליצים לטאטא על מנת שהגבעולים יבואו הישר אל להב החיתוך. עבור צמחים ישנים יותר, תנועת ניסור מתאימה לגזום גבעולים עבים יותר. אנו ממליצים על מסור שאיננו חשמלי או קוצץ על מנת לגזום את הגבעולים העבים.

חיתוך עילון

השתמשו בתנועת טאטוא רחבה. הטיה קלה כלפי מטה של להבי החיתוך בכיוון התנועה תיתן את התוצאות הטובות ביותר. לאפקט חיתוך טוב יותר, אתם יכולים להשתמש בקפיץ על מנת להנחות את רמת הגדר כמתואר בתמונה D.

חיתוך צדדי

בעת חיתוך צדדי הגדרות, החלו מן החלק התחתון וחתכו כלפי מעלה כפי שניתן לראות בתמונות E1 ו-E2.

חיתוך יסודי

ניתן להעמיד את הידיים האחוריות של גוזם הגדרות בחמש עמדות ($0^\circ/\pm 45^\circ/\pm 90^\circ$) על ידי משיכה של הבריי (תמונות 1F עד 5F). עם יש צורך בחיתוך יסודי, קיבעו את הידיים האחוריות אל $\pm 45^\circ$ (תמונות F2 ו-F4) על מנת לחתוך.

אזהרה: בעת כוונן הידיים, אין להפעיל את להב החיתוך.

הודעה: בעת ההפעלה, עד הידיים תמיד לפנות קדימה, ללא קשר לכיוון שבו מונחה גוזם הגדרות.

מגן קצה

מגן הקצה (תמונה G) משמש להגן על הצד החיצוני של הלהב.

לשמור על הסביבה



אל תזרקו ציוד חשמלי, מטען הסוללה וסוללות/סוללות ניתנות לטעינה ביחד עם אשפה ביתית!

בהתאם לחוק האירופי EU/2012/19, ציוד חשמלי ואלקטרוני אשר איננו נמצא יותר בשימוש, ובהתאם לחוק האירופי יותר 2006/66/EC, ציוד חשמלי ואלקטרוני ניזוק, ייאספו באופן נפרד.

אם ציוד חשמלי נזרק ביחד עם אשפה ביתית או במזבלה, חומרים מסוכנים עלולים לזלזל אל האדמה ולהפוך לחלק משרשרת המזון, דבר העלול לגרום לנזק לבריאות והרווחה שלכם.

שימון הלהב

עבור הביצועים הטובים ביותר ואורך חיים ארוך יותר של הלהב, שמנו את הלהב עם שמן למכונות קלות לפני ואחרי כל שימוש.

הסירו את מארז הסוללה והניחו את הגוזם על משטח שטוח. שמנו את הקצוות של הלהב העליון.

הודעה: עבור הפעלות ארוכות, שמנו את הלהב בעת פעולת החיתוך.

⚠ אזהרה: אל תבצעו את פעולת השימון כאשר גוזם הגדרות פועל.

שימון תיבת ההילוכים

לביצועים הטובים ביותר ולחיי שימוש ארוכים יותר, שמנו את תיבת ההילוכים של גוזם הגדרות עם חומר סיכה מיוחד (5-6 גרם בכל פעם ו-10-12 גרם בכל פעם שנייה) לאחר כל 25 שעות הפעלה.

הערה: פנו אל ספק שירות EGO המקומי שלכם לקבלת עזרה.

על חומר הסיכה המיוחד לעמוד בדרישות הבאות.

1. להיות שייך אל NLGI-2 DIN51818: דרגת חדרת חרט.

2. להיות מורכב ממעבי פוליאוראה + שמן סיכה סינתטי.

3. טמפרטורת הפעלה נמוכה מאד, EP, גיזום מכני, עמידות לשריטות ומאפייני יציבות חמצונית.

4. טמפרטורת הפעלה בין 40 - 180°C.

הובלה ואחסון

- הניחו תמיד את המגן על הלהב לפני האחסון או ההובלה של גוזם הגדרות. היו זהירים והימנעו ממגע עם השיניים החדות של הלהב.
- נקו את גוזם הגדרות ביסודיות לפני אחסונו.
- אחסנו את הכלי בתוך הבית, במקום יבש אשר רחוק מהישג ידם של ילדים.
- הרחיקו מחומרים הגורמים לקורוזיה כגון כימיקלים לגינה ומלחים מסירי קרח.

⚠ אזהרה: הלהבים חדים. בעת הטיפול בחיבור הלהב, לבשו כפפות מגן מוצקות, נגד החלקה. אל תניחו את הידיים או האצבעות בין הלהבים או בכל מקום בו ישנה סכנה שהן תיחטכנה או תיתפסנה. לעולם אל תיגעו בלהב או תבצעו עבודות שירות למכשיר לפני הסרת מארז הסוללה.

איתור וטיפול בבעיות

פתרון	סיבה	בעיה
<ul style="list-style-type: none"> הצמידו את מארז הסוללה אל גוזם הגדרות. 	<ul style="list-style-type: none"> מארז הסוללה איננו צמוד לגוזם הגדרות. 	גוזם הגדרות איננו עובד
<ul style="list-style-type: none"> הסירו את הסוללה, בדקו את החיבורים והתקינו מחדש את מארז הסוללה. 	<ul style="list-style-type: none"> לא מתבצע חיבור חשמלי בין הגוזם לסוללה 	
<ul style="list-style-type: none"> הטעינו את מארז הסוללה. 	<ul style="list-style-type: none"> קיבולת מארז הסוללה ריקה. 	
<ul style="list-style-type: none"> הסירו את מארז הסוללה מן המכשיר ואפשרו למארז הסוללה או למכסחה להתקרר עד לטמפרטורה של פחות מ-67°C. 	<ul style="list-style-type: none"> מארז הסוללה חם מדי. 	
<ul style="list-style-type: none"> שחררו את שתי דוושות המתג; אפשרו למארז הסוללה או לגוזם להתקרר עד לטמפרטורה של פחות מ-77°C. 	<ul style="list-style-type: none"> גוזם הגדרות חם מדי. 	
<ul style="list-style-type: none"> שחררו את דוושות המתג על הידיות הקדמית והאחורית בו זמנית. 	<ul style="list-style-type: none"> שתי דוושות הנעילה אינן משוחררות בו זמנית. 	
<ul style="list-style-type: none"> הסירו את מארז הסוללה מן המכשיר, הסירו את המחסום בזחירות ולאחר מכן החזירו מחדש את הסוללה והפעילו מחדש את המכשיר. 	<ul style="list-style-type: none"> הלהב תקוע. 	
<ul style="list-style-type: none"> שמנו את הלהבים, כאשר אתם עוקבים אחר חלק „שימון הלהב” במדריך זה. 	<ul style="list-style-type: none"> להבים יבשים או עם קורוזיה. 	ישנו יתר רטט או רעש
<ul style="list-style-type: none"> החליפו על להב או תומך חדשים. צרו קשר עם מרכז שירות EGO עבור שירות החלפת להב או תומך. 	<ul style="list-style-type: none"> הלהבים או תומכי הלהבים עקומים. 	
<ul style="list-style-type: none"> החליפו בלהב חדש. צרו קשר עם מרכז השירות של EGO עבור שירות החלפת להב. 	<ul style="list-style-type: none"> שיניים עקומות או ניזוקות. 	
<ul style="list-style-type: none"> הדקו את בריחי הלהב. בעזרת מפתח ברגים, סובבו את הבורג בכיוון השעון להידוק. 	<ul style="list-style-type: none"> בריחי להב משוחררים. 	

אחריות

מדיניות האחריות של EGO

אנא בקרו באתר egopowerplus.com עבור התנאים וההתניות השלמים של מדיניות האחריות של EGO.

اقرأ جميع التعليمات!



اقرأ وافهم دليل التعليمات

⚠️ خطر زائد! الأشخاص الذين تم تركيب أجهزة طبية إلكترونية لهم، مثل منظم ضربات القلب، يجب عليهم استشارة الطبيب قبل استخدام هذا المنتج. لأن تشغيل معدات كهربائية بالقرب من منظم ضربات القلب قد ينشأ عنه خلل أو فشل في أداء منظم ضربات القلب.

⚠️ تحذير: لضمان السلامة والاعتمادية، يجب تنفيذ جميع أعمال الإصلاح واستبدال الأجزاء من قبل فني خدمة مؤهل.

رموز السلامة

الغرض من رموز السلامة هو جذب انتباهك إلى المخاطر المحتملة. رموز السلامة والشروح المصاحبة لها تستحق اهتمامك وفهمك الدقيق. تحذيرات كل رمز، بنفسها، لا تمنع وقوع أي خطر. التعليمات والتحذيرات التي تمنحك إياها لا تعد بديلاً عن تطبيق الإجراءات الملائمة لمنع وقوع الحوادث.

⚠️ تحذير: احرص على قراءة وفهم جميع تعليمات السلامة في دليل التشغيل هذا، بما في ذلك جميع رموز تنبيهات السلامة، مثل "خطر"، و"تحذير"، و"تنبيه" قبل استخدام هذه الآلة. عدم اتباع جميع التعليمات الواردة أدناه قد يؤدي إلى حدوث صدمة كهربائية أو نشوب حريق أو التعرض للإصابة الشخصية، أحدها أو جميعها.

معنى الرمز

رمز تنبيه السلامة: يشير إلى خطر أو تحذير، أو تنبيه، وقد يتم استخدامه بشكل متزامن مع الرموز أو الصور الكتابية الأخرى.

⚠️ تحذير: قد يؤدي تشغيل أي آلة عاملة بالطاقة إلى دخول أي أشياء غريبة في عينيك، وهو ما قد يؤدي إلى إلحاق أضرار خطيرة بالعين. قبل بدء تشغيل الآلة العاملة بالطاقة، احرص دائماً على ارتداء واقيات العينين أو نظارات حماية العينين ذات دروع جانبية، ودرع واقي لكامل الوجه عند اللزوم. نوصي بارتداء قناع السلامة واسع الرؤية لاستخدامه فوق نظارات العين أو نظارات السلامة العادية ذات الدروع الجانبية.

تعليمات السلامة

هذه الصفحة تصف وتشرح رموز السلامة التي قد تظهر على هذا المنتج. اقرأ جميع التعليمات المذكورة على الآلة وافهمها واتبعها قبل محاولة تجميع الآلة وتشغيلها.

	تنبيه سلامة	يشير إلى خطر محتمل للتعرض لإصابة شخصية.
	اقرأ دليل التشغيل	للحد من خطر التعرض لإصابة، ينبغي على المستخدم قراءة دليل التشغيل.
	لا تُعرض المنتج للمطر	تحذير: لا تستخدم المنتج تحت المطر أو أن تتركه في مكان مفتوح أثناء هطول المطر.
	طول الشفرة	طول الشفرة
	سعة القطع	الحد الأقصى لسعة القطع للشفرة
V	فولت	الجهد الكهربائي
A	أمبير	التيار
Hz	هرتز	التردد (دورات في الثانية)
W	واط	الطاقة
min	دقائق	الوقت
	تيار متردد	نوع التيار
	تيار مستمر	النوع أو خصائص التيار
n_0	السرعة بدون حمل	سرعة الدوران، بدون حمل
... /min	في الدقيقة	لفة في الدقيقة
SPM	دقات لكل دقيقة	سرعة الدق، بدون حمل

تحذيرات السلامة العامة المتعلقة بالآلة العاملة بالطاقة

⚠️ تحذير: اقرأ جميع تحذيرات وتعليمات السلامة. قد يؤدي عدم الالتزام بهذه التحذيرات والتعليمات إلى التعرض لصدمات كهربائية أو نشوب حريق أو التعرض لإصابات بالغة.

احتفظ بجميع التحذيرات والتعليمات للرجوع إليها في المستقبل.

يشير مصطلح "آلة عاملة بالطاقة" في التحذيرات إلى الآلة العاملة بالطاقة (الموصولة بسلك تيار) أو الآلة العاملة بالبطارية (غير الموصولة بسلك تيار).

سلامة منطقة العمل

■ **حافظ على منطقة العمل نظيفة ومضاءة جيداً.** حيث عادة ما تتسبب المناطق المظلمة أو التي بها ركام إلى وقوع حوادث.

- لا تقم بتشغيل الآلات العاملة بالطاقة في أجواء قابلة للاشتعال، على سبيل المثال في وجود سوائل أو غازات أو غبار قابلة للاشتعال. فقد تتسبب الآلات العاملة بالطاقة في صدور شرارة، والتي قد تتسبب في اشتعال الغبار أو الأبخرة القابلة للاشتعال.
- احتفظ بالأطفال والمشاهدين بعيداً عن موقع استعمال الآلة العاملة بالطاقة، حيث أن الإلهامات قد تجعلك تفقد السيطرة على الآلة.
- السلامة الكهربائية
 - ينبغي أن يتوافق قابس الآلة العاملة بالطاقة مع مقبس التيار. لا يجب إدخال تعديلات على المقابس بأي حال من الأحوال. لا تستخدم أي قوايس مهبانية مع الآلات العاملة بالطاقة المؤرّضة. ستؤدي القوايس غير المُحلّلة والمقابس المتوافقة إلى الحد من خطر حدوث صدمة كهربائية.
 - تجنب ملامسة الجسم لأسطح موزّعة مثل الأنابيب والمشعاع والمواقف والتلجّات. هناك خطر متزايد لحدوث صدمة كهربائية إذا كان جسمك موزّساً.
 - لا تقم بتعرض الآلات العاملة بالطاقة للمطر أو الأجواء الرطبة. حيث سيؤدي الماء الذي يدخل إلى الآلة العاملة بالطاقة إلى زيادة خطر حدوث صدمة كهربائية.
 - لا تعبت بسلك التيار. لا تقم أبداً باستخدام سلك التيار لحمل الآلة العاملة بالطاقة أو سحبها أو فصلها عن التيار. احتفظ بالسلك بعيداً عن مصادر الحرارة أو الزيت أو الحواف الحادة أو الأجزاء المتحركة. تؤدي أسلاك التيار التالفة أو المتشابكة إلى زيادة خطر حدوث صدمة كهربائية.
 - عند تشغيل آلة عاملة بالطاقة في مكان خارجي مفتوح، استخدم سلك تمديد ملائم للاستخدام الخارجي. استخدم سلك ملائم للاستخدام الخارجي يحد من خطر حدوث صدمة كهربائية.
 - إذا كان لابد من تشغيل الآلة في مكان رطب، فاستخدم مصدر تيار محمي بقاطع تيار متبقي (RCD). يؤدي استخدام قاطع التيار المتبقي إلى الحد من خطر حدوث صدمة كهربائية.
- السلامة الشخصية
 - ابق منبهياً، وانتبه جيداً لما تفعله، وكن عقلياً عند تشغيل آلة تعمل بالطاقة. لا تستخدم أداة آلة بالطاقة وأنت مجهد أو تحت تأثير المخدرات أو الكحوليات أو الأدوية. قد تؤدي لحظة من عدم الانتباه أثناء تشغيل الآلات العاملة بالطاقة إلى حدوث إصابات شخصية خطيرة.
 - استعن بمعدات الحماية الشخصية. وارتن دائماً أدوات حماية للعينين، سيؤدي استخدام أدوات الحماية كقفاز الغبار أو أحذية السلامة المضادة للانزلاق أو القبعية الصلبة أو أدوات حماية السمع في ظروف مناسبة إلى الحماية من الإصابات الشخصية.
 - امنع بدء تشغيل الآلة غير المتعمد. احرص على أن يكون مفتاح الطاقة في وضع الإيقاف قبل توصيل الآلة بمصدر التيار أو مجموعة البطاريات، أو التقاط الآلة أو حملها. قد يتسبب حمل الآلات العاملة بالطاقة وإصبعك على مفتاح التشغيل أو شحنها ومفتاح التشغيل على وضع التشغيل في وقوع حوادث.
 - أزل أي مفتاح تعديل أو مفتاح ربط قبل تشغيل الآلة العاملة بالطاقة. قد يؤدي ترك مفتاح ربط أو مفتاح عادي مرتكباً على جزء دوار بالآلة العاملة بالطاقة إلى وقوع إصابات شخصية.
- لا تقف في مكان تُضطر لمد يديك بعيداً، قف وأنت ثابت ومتوازن في جميع الأوقات. وهو ما يسمح بتحكم أفضل في الآلة العاملة بالطاقة في الظروف غير المتوقعة.
- ارتد الملابس الملائمة. لا ترتد ملابس أو مجوهرات غير ثابتة. احتفظ بشعرك وملابسك بعيداً عن الأجزاء المتحركة. قد تعلق الملابس الفضفاضة أو المجوهرات أو الشعر الطويل في الأجزاء المتحركة.
- إذا تم تقديم أجهزة خاصة بتوصيل أدوات استخراج وجمع الغبار، فاحرص على توصيلها واستخدامها على النحو اللازم. قد يؤدي استخدام جمع الغبار إلى الحد من المخاطر المرتبطة به.
- استخدام الآلة العاملة بالطاقة والعناية بها
 - لا تجبر الآلة العاملة بالطاقة على أعمال تفوق قدرتها. استخدم الآلة العاملة بالطاقة الملائمة لأعمالك. ستقوم الآلة العاملة بالطاقة الملائمة بأداء أعمالك بشكل أفضل وأكثر أماناً بالمعدل الذي اعتدت له.
 - لا تستخدم الآلة العاملة بالطاقة إذا كان مفتاح التشغيل لا يمكن نقله إلى وضع التشغيل أو وضع الإيقاف. أي آلة عاملة بالطاقة لا يمكن التحكم فيها بمفتاح التشغيل تعتبر خطيرة وينبغي إصلاحها.
 - أفضل القابس من مصدر التيار أو مجموعة البطاريات عن الآلة العاملة بالطاقة قبل إجراء أي تعديلات أو تغيير ملحقات أو تخزين الآلات العاملة بالطاقة. إجراءات السلامة الوقائية هذه تحد من خطر تشغيل الآلة العاملة بالطاقة بشكل خاطئ.
 - خزّن الآلات العاملة بالطاقة غير المستخدمة بعيداً عن متناول أيدي الأطفال ولا تسمح للأشخاص غير المتدربين على استخدام الآلات العاملة بالطاقة أو على هذه التعليمات بتشغيل الآلة. الآلات العاملة بالطاقة تكون خطيرة في أيدي الأشخاص غير المدربين.
 - حافظ على الآلات العاملة بالطاقة والملحقات. تحقق من عدم حادّة الأجزاء المتحركة أو ربطها، أو وجود كسور في الأجزاء، أو أي حالة أخرى قد تؤثر على عمل الآلة. إذا كان هناك تلف، فقم بإصلاح الآلة العاملة بالطاقة قبل استخدامها. فالعديد من الحوادث يكون سببها الآلات والملحقات التي لم تتم صيانتها.
 - احتفظ بالأدوات القاطعة حادة ونظيفة. الأدوات القاطعة التي تتم صيانتها كما ينبغي للاحتفاظ بحوافها القاطعة حادة تكون أقل عرضة للانحناء وسهل التحكم فيها.
 - استخدم الآلة والملحقات والقمم وما شابههم وفقاً لهذه التعليمات، مع الأخذ في الاعتبار بطوروف العمل والأعمال التي سيتم تنفيذها. قد يؤدي استخدام الآلة في أعمال غير تلك المخصصة لها إلى حوادث خطيرة.
- استخدام الآلة العاملة بالبطارية والعناية بها
 - لا تُعد شحن الآلة باستخدام الشاحن المحدد بواسطة الشركة الصانعة، فالشاحن الملائم لنوع من مجموعات البطارية قد يتسبب في نشوب حريق إذا تم استخدامه مع مجموعة بطارية أخرى.
 - استخدم الآلات العاملة بالطاقة مع مجموعات البطاريات المخصصة لها فقط. لأن استخدام أي مجموعات بطارية أخرى قد يؤدي إلى التعرض لإصابات أو نشوب حريق.

تعليمات سلامة هامة

- لا تستخدم جزارة السياج العاملة بالبطارية أثناء هطول المطر.
- لا تتسحن مجموعة البطارية في المطر أو في الأماكن الرطبة.
- لا تستخدم الآلة إلا مع مجموعات البطارية والشواحن المدرجة في الشكل A.
- لا تمسك شفرات القطع أو حواف القطع المكشوفة أثناء التقاط جزارة السياج من الأرض أو إمساكها.
- لا تستخدم المنتج وأنت واقف على سلم أو سطح أو شجرة أو أي مكان آخر غير ثابت. ينتج توافر موطن قدم ثابت في ظل وجود سطح صلب تحكماً أفضل في جزارة السياج في الظروف غير المتوقعة.
- لا تسمح أبداً للأطفال بتشغيل جزارة السياج.
- لا تقم أبداً بإزالة أجهزة الأمان أو أن تعبت فيها. تحقق بانتظام من التشغيل الملائم لها. لا تفعل أبداً أي شيء قد يتداخل مع الوظيفة المحددة لجهاز الأمان أو يقلل من مستوى الحماية المقدم من جهاز الأمان.
- لا تقم أبداً بتشغيل جزارة السياج دون وجود الواقيات الملائمة أو الألواح أو معدات الوقاية الأخرى في مكانها.
- افحص الأجزاء الثابتة قبل متابعة استخدام جزارة السياج. يجب فحص الوياقي أو الجزء الأخر التالف بعناية لتحديد ما إذا كان سيعمل بشكل صحيح، ويؤدي وظيفته المطلوبة. تحقق من محاذاة الأجزاء المتحركة، وإحكام ربطها، وعدم وجود أجزاء مكسورة، ومن تركيبها، وأية حالة أخرى قد تؤثر على تشغيلها. يتعين إصلاح أو استبدال أداة الحماية أو الجزء الأخر التالف بشكل صحيح من قبل مركز الخدمة المعتمد ما لم يتم ذكر أي أماكن أخرى في هذا الكتيب الإرشادي.
- افحص مسامير تثبيت الشفرة والمحرك بانتظام للتأكد من ربطها كما ينبغي. وكذا، افحص الشفرة بعينيك بحثاً عن أي علامات للتلف (على سبيل المثال، وجود انثناء أو تشقق أو تآكل). يكون استبدال الشفرة بأخرى من شفرات شركة EGOTM الأصلية فقط.
- استبدل الشفرة إذا كانت متنتية أو بها تشققات. لأن الشفرة غير المتوازنة تتسبب في اهتزازات قد تؤدي لإتلاف وحدة إدارة المحرك أو وقوع إصابات شخصية.
- إذا بدأت الآلة في الاهتزاز بشكل غير طبيعي، أوقف المحرك على الفور وافحصه بحثاً عن السبب. فالاهتزاز عادة ما يكون تحذيراً بوجود مشكلة.
- يجب استخدام الجزارة في قطع السيقان التي يقل سمكها عن (33 سم).
- لا تقم بالجزّ سوى في ضوء النهار أو الضوء الصناعي الجيد.
- اخلع البطارية أو افصلها قبل صيانة جزارة السياج أو تنظيفها أو إزالة المواد منها.
- لا تغسل المنتج بخرطوم الماء؛ وتجنب وصول الماء إلى المحرك والتوصيلات الكهربائية.
- لا تستخدم سوى قطع الغيار الأصلية المدرجة في هذا الدليل عند صيانة الآلة. لأن استخدام قطع غيار لا تتوافق مع مواصفات المعدات الأصلية قد يؤدي إلى الأداء غير السليم والتأثير بالسلب على الأمان.
- اتبع تعليمات التشحيم وتغيير الملحقات.
- عند عدم استخدام مجموعة البطارية، احتفظ بها بعيداً عن الأغراض المعدنية الأخرى مثل مشابك الأوراق أو العملات المعدنية أو المفاتيح أو المسامير أو البراغي أو الأغراض المعدنية الصغيرة الأخرى التي قد تتسبب في عمل دائرة قصر (قفل للدائرة) بين أقطاب البطارية. عمل دائرة قصر (قفل الدائرة) بين أطراف البطارية قد يتسبب في حروق أو نشوب حريق.
- في حالات التعامل السيء، قد يحدث ارتشاح للسوائل من البطارية؛ لا تلامسه. إذا حدثت ملامسة بشكل عرضي، فاغسلها بالماء. إذا لامس السائل العينين، فاطلب المساعدة الطبية على الفور. السائل المرشح من البطارية قد يتسبب في حدوث احتياج في الجلد أو حروق.
- **الصيانة**
- ينبغي إجراء الصيانة على الآلة بواسطة فني إصلاح متخصص باستخدام قطع غيار أصلية مطابقة فقط. فيذا سيضمن المحافظة على سلامة الآلة.
- **تحذيرات السلامة الخاصة بجزارة السياج**
- اجعل جميع أجزاء الجسم بعيدة عن شفرة القاطع. لا تقم بإزالة المواد المقطوعة أو تمسك بالمواد المراد قطعها أثناء حركة الشفرات. احرص على فصل التيار عن الآلة عند إزالة المواد المنحشرة. لحظة من عدم الانتباه أثناء تشغيل جزارة السياج قد تؤدي إلى تعرض الأشخاص لإصابات خطيرة.
- احمل جزارة السياج من المقبض بينما شفرة القاطع متوقفة. عند نقل أو تخزين جزارة السياج، احرص دائماً على وضع غطاء أدوات القطع بالالة. التعامل الصحيح مع جزارة السياج سيقلل من تعرض الأشخاص للإصابة بفعل شفرات القاطع.
- أمسك بالالة العاملة بالطاقة من أسطح الإمساك المعزولة فقط، لأن شفرة القاطع قد تلحق بأسلاك مخفية. شفرات القاطع التي تلامس سلكاً "يمر به تيار" قد تجعل الأجزاء المعدنية من الآلة العاملة بالطاقة "يمر بها تيار"، وهو ما قد يتسبب في تعرض المستخدم لصدمة كهربائية.
- احتفظ بالسلك بعيداً عن منطقة القطع. قد يصبح السلك مخفياً أثناء التشغيل في الشجيرات، ومن ثم قد يتعرض للقطع بواسطة الشفرة دون قصد.
- افحص السياج بحثاً عن أي أشياء غريبة قبل التشغيل، مثل أسلاك السياج.
- لا تستخدم جزارة السياج إلا بعد التأكد من تركيب الواقي بشكل ملائم. لأن استخدام الجزارة بدون الواقي الملائم قد يؤدي إلى وقوع إصابات شخصية خطيرة!
- استخدم كلتا يديك أثناء تشغيل جزارة السياج. لأن استخدام يد واحدة قد يفقدك السيطرة على الآلة، وهو ما قد يؤدي لوقوع إصابات شخصية خطيرة.
- **تحذير: افحص السياج بحثاً عن أي أشياء غريبة قبل تشغيل الآلة، مثل أسلاك السياج. لا تستخدم جزارة السياج إلا بعد تركيب الواقي بإحكام. لأن استخدام الجزارة بدون الواقي الملائم قد يؤدي إلى وقوع إصابات شخصية خطيرة!**

قائمة المحتويات

الكمية	اسم القطعة
1	جزارة السياج
1	الواقي
1	دليل التشغيل

- احتفظ بالمقاibus جافة، نظيفة، خالية من الزيوت والشحوم.
- احفظ هذه التعليمات. راجعهم باستمرار واستخدامهم لتوجيه الآخرين عند استخدام هذه الآلة. إذا قمت بإقراض هذه الآلة لشخص آخر، أرفق معها هذه التعليمات لمنع سوء استخدام المنتج والإصابات المحتملة.

احفظ هذه التعليمات!

المواصفات

الطراز	HT5100E	HT6500E
الجهد الكهربائي	56 فولت ---	56 فولت ---
السرعة بدون حمل	عالية	1600/دقيقة
	منخفضة	1400/دقيقة
درجة حرارة التشغيل الموصى بها:	0 - 40 درجة مئوية	
درجة حرارة التخزين الموصى بها:	-20 - 70 درجة مئوية	
طول الشفرة	51 سم	65 سم
سعة القطع	33 مم	33 مم
الوزن (بدون وحدة البطارية)	3.6 كجم	3.8 كجم
مستوى قوة الصوت المقدر L_{WA}	90 ديسيبل (A)	91.45 ديسيبل (A)
	1.55=K ديسيبل (A)	1.08=K ديسيبل (A)
مستوى ضغط الصوت وفقاً لوضع مُشغل الآلة L_{PA} K=2.5 ديسيبل (A)	81.5 ديسيبل (A)	81.4 ديسيبل (A)
مستوى قوة الصوت المضمن L_{WA} (وفقاً للمعيار 2000/14/EC)	92 ديسيبل (A)	93 ديسيبل (A)
المقبض الأمامي a_{p1} K=1.5	3.369 م/ثانية ²	5.313 م/ثانية ²
	المقبض الخلفي	1.876 م/ثانية ²

- القيمة الكلية للاهتزاز الموضحة تم قياسها وفقاً لطريقة اختبار قياسية وقد تستخدم لمقارنة أداة بأخرى؛
- كما يمكن استخدام القيمة الكلية للاهتزاز الموضحة في التقييم التمهيدي للتعرض.

ملاحظة: قد تختلف انبعاثات الاهتزاز أثناء الاستخدام الفعلي للآلة العاملة بالطاقة عن القيمة المعلنة التي يتم استخدام الآلة فيها؛ ولحماية مشغل الآلة، ينبغي على المستخدم ارتداء قفازات وواقبات للأذن في ظروف الاستخدام الفعلية.

الوصف

تعرف على جزارة السياج (الشكل A)

- زر تحرير البطارية
- المقبض الخلفي
- زناد القفل
- ذراع التشغيل الخلفي
- بكرة ضبط السرعة
- المقبض الأمامي
- ذراع التشغيل الأمامي
- واقي اليد
- واقي الشفرة
- الشفرة
- واقي قمة الجزارة
- لسان
- الوصلات الكهربائية
- فتحة التركيب
- آلية الإخراج
- قفل المقبض
- هيكل المحرك
- الواقي

⚠ تحذير: يتم توريد هذا المنتج مكتمل التجميع. يجب ألا يتم أبداً خلع واقي اليد أثناء الاستخدام. بمجرد تعرضه للتلف، يجب أن يتم استبداله على الفور بواسطة فني صيانة متخصص.

⚠ تحذير: كي تتمكن من استخدام هذا المنتج بشكل آمن، لا بد أن تفهم المعلومات الموجودة على الآلة وفي دليل التشغيل هذا، وكذا معرفة المهمة التي تنوي القيام بها. قبل استخدام هذا المنتج، اعدت على التعامل مع جميع خصائص التشغيل وقواعد السلامة.

التشغيل

⚠ تحذير: لا تسمح لاعتيادك على تشغيل هذا المنتج أن يجعلك مستهيناً عند التعامل معه. ولا تنس أن الاستهتار لجزء من الثانية كافٍ للتسبب في حدوث إصابات خطيرة.

بدء التشغيل

اضغط مع التثبيت على زناد الفلج براحة يدك، ثم اضغط ذراع التشغيل الخلفي لأعلى. أثناء الضغط مع التثبيت على ذراع التشغيل الخلفي، واصل الضغط على ذراع التشغيل الأمامي لبدء التشغيل.

لايقاف

حرر أحد ذراعي التشغيل ليقاف الآلة.

ملاحظة: يجب الضغط على كلا الذراعين بجزازة السياج لبدء التشغيل.

استخدام جزازة السياج

تحذير: إذا انشردت الشفرة في سلك أو خط كهربائي، لا تلمس الشفرة! فقد تصبح موصولة بالتيار الكهربائي وتكون خطيرة للغاية. واصل الإمساك بالآلة باستخدام المقبض الخلفي المعزول أو ضعها على الأرض بعيداً عنك بطريقة آمنة. أفضل التيار عن الخط أو السلك الكهربائي قبل محاولة تحرير الشفرة من السلك أو الكابل. لأن عدم الانتباه لهذا التحذير قد يؤدي إلى وقوع إصابات شخصية خطيرة أو احتمالية الوفاة.

تحذير: لمنع وقوع إصابات شخصية خطيرة، أبق يدك بعيداً عن الشفرات. لا تحاول إزالة المواد المقطوعة أو أن تمسك بالمواد المراد قطعها أثناء حركة الشفرات. تأكد من توقف الشفرات بشكل كامل واخلع مجموعة البطارية قبل إزالة الإسدادات من الشفرات. لا تمسك شفرات القطع أو حواف القطع المكشوفة أثناء التقاط الآلة من الأرض أو إمساكها.

تحذير: نظف منطقة الجرّ قبل كل استخدام للآلة. أزل جميع الأغراض، مثل الأسلاك الكهربائية أو المصابيح أو الأسلاك العادية أو السياج، والتي قد تنتشر في شفرة القطع وتسبب في خطر التعرض لإصابة شخصية خطيرة.

تحذير: تجنب الجرّ بشكل زائد عن الحد في كل مرة أو استخدام الآلة في منطقة كثيفة الشجيرات. لأن هذا قد يتسبب في انثناء الشفرات أو إبطائها، وهو ما يقلل من كفاءة القطع.

ملاحظة: بالنسبة للبراعم الجديدة، فإن حركة الكسح العريضة ملائمة لسيقان النباتات التي تدخل بشكل مباشر في شفرة القطع. بالنسبة للبراعم الأكبر عمراً، فإن حركة المنشار تكون جيدة في جز السيقان ذات السمك الأكبر. نوصي باستخدام منشار يدوي غير عامل بالطاقة أو منشار تقليم في جز السيقان الأكبر أو لا.

الجز العلوي

تحرك بحركة كسح عريضة. ولتحقيق أفضل نتائج الجز، قم بإمالة شفرات الجز لأسفل قليلاً في اتجاه الحركة. ولتتأخر جز أفضل، يمكنك أيضاً استخدام الخيط في توجيه مستوى السياج على النحو الموضح في الشكل D.

الجز الجانبي

عند جز جوانب السياج، ابدأ من الجانب السفلي وجز لأعلى على النحو الموضح في الشكلين E1 و E2.

الجز المائل

يمكن ضبط المقبض الخلفي لجزازة السياج على خمسة أوضاع (0) درجة/45± درجة/90± درجة) عن طريق سحب المزلاج (الأشكال F1 إلى F5). إذا كنت بحاجة لتنفيذ جز مائل، اضبط المقبض الخلفي على زاوية 45± درجة (الشكلان F2 و F4) لتنفيذ عملية الجز.

تحذير: ارتد بشكل دائم أدوات حماية العينين بالإضافة إلى دروع جانبية وأدوات حماية السمع. قد ينجم عن عدم الامتثال لذلك دخول أشياء في عينيك، واحتمالية وقوع إصابات خطيرة.

تحذير: لمنع بدء التشغيل غير المقصود، والذي قد يؤدي إلى وقوع إصابات شخصية خطيرة، احرص دائماً على خلع مجموعة البطارية من الآلة عند تجميع الأجزاء، أو عمل التعديلات، أو التنظيف، أو عند عدم الاستخدام.

تحذير: لا تستخدم أي مرفقات أو ملحقات سوى تلك الموصى بها من قبل شركة EGO™. لأن استخدام مرفقات أو ملحقات غير موصى بها قد يؤدي إلى وقوع إصابات شخصية خطيرة.

قبل كل استخدام، افحص المنتج بأكمله بحثاً عن الأجزاء التالفة أو المفقودة أو المفككة، مثل المسامير المولوية والصواميل والمسامير والأغطية وما شابه. اربط جميع عناصر التثبيت والأغطية بإحكام، ولا تقم بتشغيل هذا المنتج إلا بعد استبدال جميع الأجزاء المفقودة أو التالفة.

الاستخدام

يمكنك استخدام هذا المنتج في جزّ السياج والحشائش والشجيرات التي يقل قطرها عن 33 مم.

ملاحظة: يجب استخدام الآلة للعرض المحدد لها فقط. أي استخدام آخر يعد حالة من حالات سوء الاستخدام.

تركيب واخلع مجموعة البطارية

اشحن البطارية قبل الاستخدام لأول مرة.

للتركيب (الشكل B)

قم بمحاذاة دعامة البطارية مع فتحات التركيب، واضغط على مجموعة البطارية لأسفل إلى أن تسمع صوت "نقرة".

للخلع (الشكل C)

اضغط لأسفل على زر تحرير البطارية، واسحب مجموعة البطارية للخارج.

تحذير: انتبه دائماً لموضع قدميك أو الأطفال أو الحيوانات الأليفة عند الضغط على زر تحرير البطارية. فقد تقع إصابات خطيرة إذا سقطت مجموعة البطارية. لا تقم أبداً بخلع مجموعة البطارية وأنت في مكان شاهق الارتفاع.

بدء تشغيل/إيقاف جزازة السياج

قبل التشغيل، اخلع الدرع وامسك الجزازة بكلتا يديك، بحيث تكون إحدى اليدين على المقبض الخلفي والأخرى على المقبض الأمامي. وبعد ذلك، تحقق من وفوقك مترناً وجسمك منتصباً مع وجود مسافة ملائمة للجرّ.

تحذير: احرص على إبقاء يديك دائماً على مقابض جزازة السياج. لا تقم أبداً بإمساك الحشائش بإحدى يديك، وتشغيل جزازة السياج باليد الأخرى. لأن عدم الانتباه لهذا التحذير قد يؤدي إلى وقوع إصابات خطيرة.

خفيف القوام قبل كل استخدام وبعده.

اخلع مجموعة البطارية وضع الآلة على سطح مستوٍ. ضع الزيت على طول حافة الشفرة العلوية.

ملاحظة: لفترة تشغيل أطول، قم بتزييت الشفرة أثناء التشغيل.

تحذير: لا تقم بالتزييت أثناء تشغيل الجازارة.

تشحيم صندوق ناقل الحركة

لتحقيق أفضل تشغيل وأطول عمر للآلة، يُرجى تشحيم صندوق ناقل حركة جازارة السباح بنسجم خاص (5-6 جم في رقم 1، 10-12 جم في رقم 2 في كل مرة) بعد كل 25 ساعة تشغيل.

ملاحظة: يُرجى التواصل مع وكيل خدمة EGO المحلي لديك طلبًا للمساعدة.

يجب أن يلبى الشحم الخاص المتطلبات التالية:

1. أن ينتمي لدرجة الاختراق المخروطية
DIN51818: NLGI-2.
2. مكون من مغلطات القوام القائمة على البولي يوريثا + زيت تزييت تخليقي.
3. بدء التشغيل المثالي في درجات الحرارة المنخفضة، والضغط والفائق، والجَزْ الميكانيكي، والمقاومة أثناء الكشط، وخصائص الثبات التآكسدية.
4. يجب أن تكون درجة حرارة التشغيل ما بين 40~180 درجة مئوية.

النقل والتخزين

- احرص دائمًا على وضع الواقي فوق الشفرة قبل تخزين الآلة أو نقلها. تعامل بحذر لتجنب الأضرار الحادة للشفرة.
- نظف الآلة جيدًا قبل تخزينها.
- يكون تخزين الآلة في مكان جاف لا يمكن الوصول إليه من قبل الأطفال.
- احتفظ بالمنتج بعيدًا عن المواد المسببة للتآكل مثل كيماويات الحديقة وملح إذابة الجليد.

تحذير: الشفرات حادة. عند التعامل مع مجموعة الشفرة، عليك ارتداء قفازات حماية متينة مانعة للانزلاق. لا تضع يديك أو أصابعك بين الشفرات أو في أي موضع قد تتعرض فيه للانضغاط أو الجرح. لا تلمس أبدًا الشفرات أو أن تقوم بصيانة الوحدة والبطارية مركبة في مكانها.

حماية البيئة

لا تتخلص من المعدات الكهربائية وشاحن البطارية والبطاريات العادية/البطاريات القابلة لإعادة الشحن في النفايات المنزلية!



وفقًا للقانون الأوروبي 2012/19/EU، فإن المعدات الكهربائية والإلكترونية التي لم تعد صالحة للاستخدام، ووفقًا للقانون الأوروبي 2006/66/EC، فإن مجموعات البطارية/البطاريات المعطوبة أو المستهلكة، يجب جمعها بشكل منفصل.

إذا تم التخلص من الأجهزة الكهربائية في أكوام القمامة أو قلب النفايات، قد تتسرب مواد خطيرة في المياه الجوفية وتصل إلى السلسلة الغذائية، وهو ما يضر بالصحة والعافية.

تحذير: يجب أن تكون شفرة الجز متوقفة تمامًا أثناء ضبط المقيض.

ملاحظة: أثناء العمل، يجب أن يكون المقيض دائمًا متجهًا لأعلى بغض النظر عن اتجاه الجازارة.

واقي قمة الجازارة

يستخدم واقي قمة الجازارة (الشكل G) في حماية الحافة الخارجية للشفرة.

واقي الشفرة

الجزء الخارجي من الشفرات له شكل واقيات الشفرة (الشكل H).

H-1	الشفرة
H-2	واقي الشفرة

تحذير: احرص دائمًا على التأكد من عدم تلف واقي الشفرة أو تشوهه. استبدله إذا كان مثنئيًا أو تالفًا.

الصيانة

تحذير: استخدم فقط قطع غيار أصلية عند إجراء أعمال الصيانة. لأن استخدام أي أجزاء أخرى قد ينشأ عنه خطر أو يتسبب في تعرض المنتج للتلف. لضمان السلامة والاعتمادية، يجب تنفيذ جميع أعمال الإصلاح من قبل فني خدمة مؤهل.

تحذير: لتجنب التعرض لإصابات خطيرة، احرص دائمًا على خلع مجموعة البطارية من المنتج عند تنظيفه أو إجراء أي أعمال صيانة عليه.

التنظيف

- استخدم فرشاة ناعمة أثناء إزالة العوالق عن جميع مداخل الهواء وشفرة القطع.
- لإزالة أي قطران أو عوالق لاصقة أخرى، قم برش الشفرات بمحلول راين. قم بتشغيل المحرك لفترة قصيرة كي يتم توزيع المحلول بالتساوي.
- امسح السطح بقطعة قماش جافة.

تحذير: لا تستخدم أبدًا الماء عند تنظيف الآلة. تجنب استخدام المنظفات عند تنظيف الأجزاء البلاستيكية. غالبية الأجزاء البلاستيكية تكون عرضة للتلف بفعل أنواع متعددة من المنظفات السائلة المتاحة في الأسواق. استخدم قطعة قماش نظيفة لإزالة الأوساخ والأتربة والزيت والشحم وما شابههم.

شحن شفرة القطع

1. اخلع مجموعة البطارية من جازارة السباح.
2. ثبت تجميع الشفرة على منجلة، واشدح سطح القطع لكل سن من أسنان الشفرة. احرص على شحذ أقل قدر ممكن من الأسنان.
3. أزل جازارة السباح من المنجلة، وثبت الشفرة غير المشحونة بحيث يكون الجانب الآخر مكشوفًا. كرر الإجراءات أعلاه إلى أن يتم شحذ جميع أسنان الشفرة.

ملاحظة: لا تقم بتشغيل الآلة وشفرة القطع تالفة أو غير حادة. لأن هذا قد يتسبب في حمل زائد، ويمكنه نتائج قطع غير مرضية.

تزييت الشفرة

لتحقيق أفضل أداء وأطول عمر للشفرة، قم بتزييتها بزيت آلات

استكشاف الأخطاء وإصلاحها

المشكلة	السبب	الحل
جزارة السياج لا تعمل.	■ مجموعة البطارية غير مركبة في جزارة السياج.	■ قم بتركيب مجموعة البطارية في جزارة السياج.
	■ لا يوجد اتصال كهربائي بين الجزارة والبطارية.	■ اخلع البطارية، وافحص التوصيلات، ثم أعد تركيب مجموعة البطارية.
	■ نفذ شحن مجموعة البطارية.	■ اشحن مجموعة البطارية.
	■ مجموعة البطارية ساخنة للغاية.	■ اخلع مجموعة البطارية واتركها تبرد إلى أن تهبط درجة حرارتها إلى ما دون 76 درجة مئوية.
	■ جزارة السياج ساخنة للغاية.	■ حرر كلا ذراعي التشغيل؛ واترك الجزارة تبرد إلى أن تهبط درجة حرارتها إلى ما دون 77 درجة مئوية.
	■ لم يتم الضغط مع التثبيت على ذراعي التشغيل بشكل متزامن.	■ اصغط مع التثبيت على ذراعي التشغيل بالمقبض الأمامي والمقبض الخلفي بشكل متزامن.
	■ هناك انسدادات في الشفرة.	■ اخلع مجموعة البطارية من الآلة، وتخلص من الانسداد برفق، ثم أعد إدخال البطارية مع إعادة تشغيل الآلة.
هناك اهتزازات أو ضوضاء زائدة.	■ الشفرات جافة أو بها صدأ.	■ قم بتزييت الشفرات، وذلك باتباع قسم "تزييت الشفرة" من هذا الدليل.
	■ دعامة الشفرات مثنية.	■ استبدل الشفرة بشفرة أو دعامة جديدة. تواصل مع مركز صيانة شركة EGO لطلب استبدال الشفرة أو الدعامة.
	■ أسنان الشفرة مثنية أو تالفة.	■ استبدلها بشفرة جديدة. تواصل مع مركز صيانة شركة EGO لطلب استبدال الشفرة.
	■ مسامير الشفرة مفكوكة.	■ اربط مسامير الشفرة جيداً. باستخدام مفتاح الربط، أدر المسمار في اتجاه عقارب الساعة لربطه.

الضمان

سياسة ضمان EGO

تفضل بزيارة الموقع الإلكتروني egopowerplus.com للتعرف على الشروط والأحكام الكاملة الخاصة بسياسة ضمان EGO.

