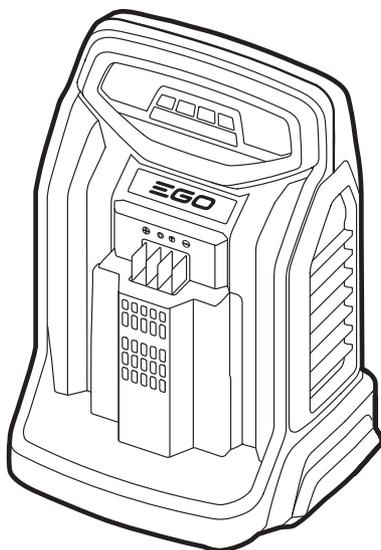


EGO™

POWER⁺ CHARGER

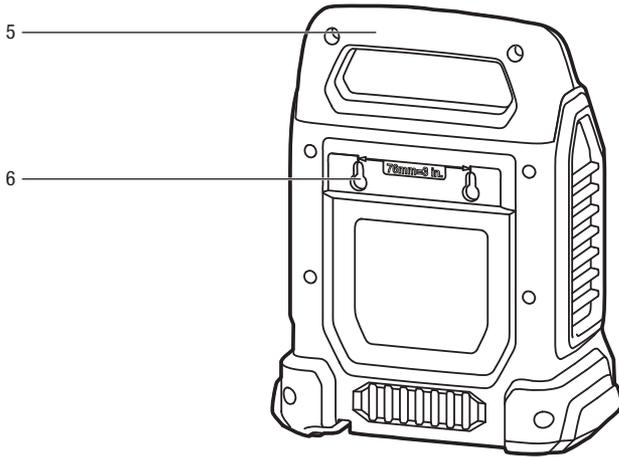
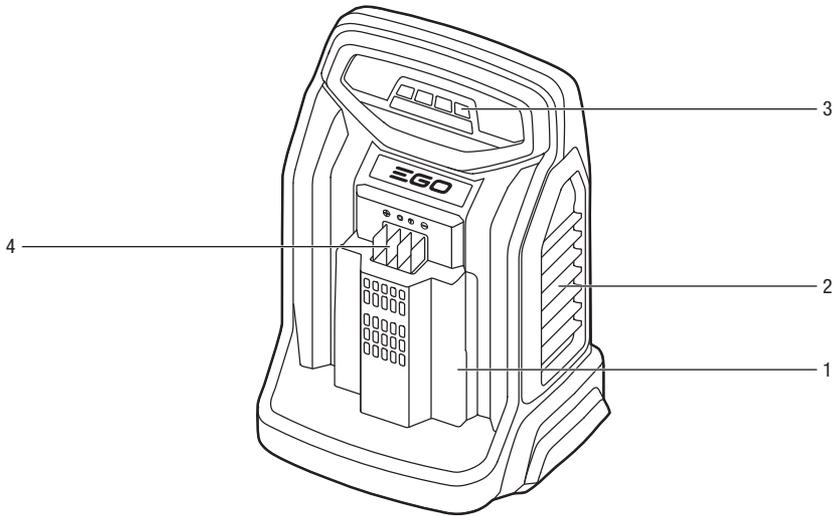


CH5500E

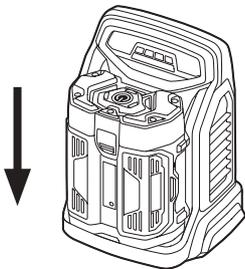
56 VOLT RAPID CHARGER

EN	56 volt rapid charger	3	SL	56-voltni hitri polnilnik	129
DE	56V schnellladegerät	10	LT	56V greitisis įkroviklis	136
FR	Chargeur rapide 56V	18	LV	56V ātrās uzlādes ierīce	143
ES	Cargador rápido de 56V	26	GR	Ταχυφορτιστής 56V	150
PT	Carregador rápido de 56V	34	TR	56V hızlı şarj cihazı	158
IT	caricabatteria rapido 56V	42	ET	56V kiirladija	165
NL	56V snellader	50	UK	Пристрій для швидкого заряджання 56 В	172
DK	56V lynoplader	57	BG	56 волта бързо зарядно устройство	180
SE	56V snabbaddare	64	HR	Brzi punjač 56 V	188
FI	56V pikalaturi	71	KA	56 ვოლტიანი სწრაფად დამტენი ხელსაწყო	195
NO	56V hurtiglader	78	SR	Brzi punjač od 56 volti	206
RU	Устройство для ускоренной зарядки 56В	85	BS	Brzi punjač 56 V	213
PL	Szybka ładowarka 56V	93	HE	מטען מהיר 56 וולט	220
CZ	56V rychlonabíječka	101	AR	شاحن سريع 56 فولت	227
SK	56V rýchlonabíjačka	108			
HU	56 voltos gyorsöltő	115			
RO	Încărcător rapid de 56 volți	122			

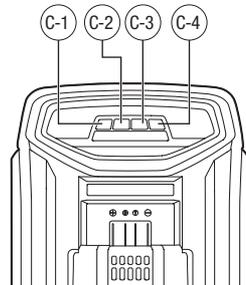
A



B



C



READ ALL INSTRUCTIONS!



READ OPERATOR'S MANUAL

⚠ Residual risk! People with electronic devices, such as pacemakers, should consult their physician(s) before using this product. Operation of electrical equipment in close proximity to a heart pacemaker could cause interference or failure of the pacemaker.

⚠ WARNING: To ensure safety and reliability, all repairs should be performed by a qualified service technician.

⚠ WARNING: This appliance can be used by children aged from 8 years and above and persons with reduced physical, sensory or mental capabilities or lack of experience and knowledge if they have been given supervision or instruction concerning use of the appliance in a safe way and understand the hazards involved. Children shall not play with the appliance. Cleaning and user maintenance shall not be made by children without supervision.

SAFETY SYMBOLS

The purpose of safety symbols is to attract your attention to possible dangers. The safety symbols and the explanations with them deserve your careful attention and understanding. The symbol warnings do not, by themselves, eliminate any danger. The instructions and warnings they give are no substitutes for proper accident prevention measures.

⚠ WARNING: Be sure to read and understand all safety instructions in this Operator's Manual, including all safety alert symbols such as "**DANGER**," "**WARNING**," and "**CAUTION**" before using this tool. Failure to follow all instructions listed below may result in electric shock, fire, and/or serious personal injury.

SAFETY INSTRUCTIONS

This page depicts and describes safety symbols that may appear on this product. Read, understand, and follow all instructions on the machine before attempting to assemble and operate.

	Safety Alert	Precautions that involve your safety
	Read Operator's Manual	To reduce the risk of injury, user must read operator's manual.
	Indoor Use	Use this device indoors only
	Class II Construction	Double-insulated construction
	Fuse-links	Time-lag miniature fuse-link
	CE	This product is in accordance with applicable EC directives.
	UKCA	This product is in accordance with applicable UK legislation.
	WEEE	Waste electrical products should not be disposed of with household waste. Take to an authorized recycler.
V	Volt	Voltage
A	Amperes	Current
Hz	Hertz	Frequency (cycles per second)
W	Watt	Power
min	Minutes	Time
	Alternating Current	Type of current
	Direct Current	Type or a characteristic of current

⚠ WARNING: Read and understand all instructions. Failure to follow all instructions listed below may result in electric shock, fire and/or serious personal injury.

WORK AREA SAFETY

- **Keep the work area clean and well lit.** Cluttered or dark areas invite accidents.
- **Do not operate the EGO charger in explosive environments, such as in the presence of flammable liquids, gases, or dust.** A charger might create a spark, which may ignite the dust or fumes.



EN

ELECTRICAL SAFETY

- **Power tool plugs must match the outlet.** Never modify the plug in any way. Do not use any adapter plugs with grounded power tools. Unmodified plugs and matching outlets will reduce the risk of electric shock.
- **Do not expose to the charger to rain or wet conditions.** Water entering the charger will increase the risk of electric shock.
- **Do not abuse the cord.** Never use the cord for carrying, pulling, or unplugging the charger. Keep the cord away from heat, oil, sharp edges, or moving parts. Damaged or entangled cords increase the risk of electric shock.
- **Avoid body contact with grounded surfaces, such as pipes, radiators, ranges, and refrigerators.** There is an increased risk of electric shock if your body is grounded.
- **When operating a power tool outdoors, use an extension cord suitable for outdoor use.** Use of a cord suitable for outdoor use reduces the risk of electric shock.
- The EGO charger can charge the EGO lithium-ion battery packs listed below:

CHARGER	BATTERY PACKS
CH5500E	BA1120E, BA1400, BA2240E, BA2240T, BA2242T, BA2800, BA3360, BA4200, BA1400T, BA2800T, BA4200T, BA5600T, BA6720T

SERVICE

- **Have your charger serviced by a qualified repair person using only identical replacement parts.** This will ensure that the safety of the charger is maintained.
- **When servicing a charger, use only identical replacement parts. Follow instructions in the Maintenance section of this manual.** Use of unauthorized parts or failure to follow Maintenance instructions may create a risk of shock or injury.

SAFETY RULES FOR CHARGER

⚠ CAUTION: To reduce the risk of electric shock or damage to the charger and battery, charge only those lithium-ion rechargeable batteries specifically designated on your charger's label. Other types of batteries may burst, causing personal injury or damage.

This appliance is not intended for use by persons (including children) with reduced physical, sensory or mental capabilities, or lack of experience and knowledge,

unless they have been given supervision or instruction concerning use of the appliance by a person responsible for their safety.

- **Before using the battery charger,** read all instructions and cautionary markings in this manual and on the battery charger, the battery and the product using the battery to prevent misuse of the products and possible injury or damage.
- **Do not use the charger outdoors or expose it to wet or damp conditions.** Water entering the charger will increase the risk of electric shock.
- **Do not handle charger, including the charger plug and charger terminals with wet hands.**
- **Use of an attachment not recommended or sold by the battery-charger manufacturer may result in a risk of fire, electric shock, or injury to persons.**
- **Recharge only with the charger specified by the manufacturer.** A charger that is suitable for one type of battery pack may create a risk of fire when used with another battery pack.
- **Do not abuse the cord or charger.** Never use the cord to carry the charger. Do not pull the charger cord to disconnect the plug from a receptacle. Damage to the cord or charger could occur and create an electric shock hazard. Replace damaged cords immediately.
- **Make sure that the cord is located so that it will not be stepped on, tripped over, come in contact with sharp edges or moving parts, or otherwise be subjected to damage or stress.** This will reduce the risk of accidental falls, which could cause injury and damage to the cord, which could then result in electric shock.
- **Keep the cord and charger from heat to prevent damage to housing or internal parts.**
- **Do not allow gasoline, oils, petroleum-based products, etc. to come in contact with plastic parts.** These materials contain chemicals that can damage, weaken, or destroy plastic.
- **Do not operate the charger with a damaged cord or plug, which could cause shorting and electric shock.** If damaged, have the charger repaired or replaced by an authorized service technician at an EGO Service Center.
- **Do not operate the charger if it has received a sharp blow, been dropped, or has otherwise been damaged in any way.** Take it to an authorized service technician for an electrical check to determine if the charger is in good working order.

- **Do not disassemble the charger.** Take it to an authorized service technician when service or repair is required. Incorrect reassembly may result in a risk of electric shock or fire.
- **Unplug the charger from the electrical outlet before attempting any maintenance or cleaning to reduce the risk of electric shock.**
- **Disconnect charger from the power supply when not in use.** This will reduce the risk of electric shock or damage to the charger if metal items should fall into the opening. It will also help prevent damage to the charger during a power surge.
- **Risk of electric shock.** Do not touch the uninsulated portion of output connector or uninsulated battery terminal.
- **Save these instructions.** Refer to them frequently and use them to instruct others who may use this tool. If you lend this tool to someone else, also lend these instructions to them to prevent misuse of the product and possible injury.

IMPORTANT SAFETY INSTRUCTIONS

- **Save these instructions.** This manual contains important safety and operating instructions for 56V Rapid Charger CH5500E.
- **Before using the battery charger, read all instructions and cautionary markings on the battery charger, the battery and the product using the battery.**

⚠ WARNING: When using electric appliances, basic precautions should always be followed, including the following.

- To reduce the risk of injury, close supervision is necessary when an appliance is used near children.
- Only use attachments recommended or sold by manufacturer.
- Do not use outdoors.
- For a portable appliance – To reduce the risk of electrical shock, do not put charger in water or other liquid. Do not place or store appliance where it can fall or be pulled into a tub or sink.

⚠ CAUTION: To reduce the risk of injury, charge only lithium-ion rechargeable batteries. Other types of batteries may burst, causing personal injury or damage.

SPECIFICATIONS

Charger Input	220-240 V~50 Hz, 550 W
Charger Output	5-8 A 56 V
Charging Time	Approximately 25 minutes for BA1120E battery pack Approximately 30 minutes for BA1400/BA2240E/BA1400T/BA2240T/BA2242T battery pack Approximately 40 minutes for BA2800/BA2800T battery pack Approximately 45 minutes for BA3360 battery pack Approximately 60 minutes for BA4200/BA4200T battery pack Approximately 190 minutes for BAX1300 battery pack Approximately 70 minutes for BA5600T battery pack Approximately 90 minutes for BA6720T battery pack
Optimum Charging Temperature	5 °C-40 °C
Charger Weight	1.9 kg

DESCRIPTION

KNOW YOUR CHARGER (Fig. A)

1. Mounting Slot
2. Cooling Air Port
3. LED Indicators
4. Electrical Contacts
5. Soft Grip
6. Wall Mounting Hole

OPERATION

HOW TO CHARGE THE BATTERY PACK

⚠ WARNING: Do not use the charger outdoors or expose it to wet or damp conditions. Water entering the charger will increase the risk of electric shock.

NOTICE: Lithium-Ion battery packs are shipped partially charged. Before using it the first time, fully charge the battery pack.

1. Connect the charger to the power supply (220-240V~, 50Hz). The four charging indication LEDs will briefly shine green, indicating that the charger is working correctly.
2. Align the raised ribs of the battery pack/adaptor with the mounting slots in the charger; slide the battery pack/adaptor down onto the charger (Fig. B).

NOTICE: If charging the BAX1300 battery pack, connect the adaptor to the battery firstly.

- The charger will communicate with the battery pack to evaluate the condition of the battery pack.
- When the battery pack is charging, the four charging indication LEDs on the charger will shine green in sequence, from left to right, to indicate the charge level; please refer to Fig. C. The power indicator on the battery pack(BA1120E, BA1400, BA2240E, BA2800, BA3360, BA4200) will flash in sequence: red, orange and green, or the power LCD indicator on the BAX1300 battery pack will display numeric charge capacity. The last segment of 5-LED indicator on the battery pack will flash green(For BA1400T, BA2240T, BA2242T, BA2800T, BA4200T, BA5600T, BA6720T). The fan in the charger continuously works to cool the battery pack.
- When the battery pack is fully charged, the charging indication LEDs stop alternating and will shine green continuously. The power indicator on the battery pack

will go out. Wait until the cooling fan stops, remove the battery pack/adaptor from the charger and disconnect the charger from the power supply.

- The battery pack will fully charge if left on the charger, but it will not overcharge. If the battery pack (except BAX1300) remains on the charger for one month or more, it will perform self-maintenance and drop to 30% charge capacity. If this occurs, reinstall the battery pack on the charger to recharge it fully.

Fig. C parts description see below:

C-1	LED 1	C-3	LED 3
C-2	LED 2	C-4	LED 4

NOTICE:

- A significantly reduced run time after fully charging the battery pack indicates that the batteries are near the end of their usable life and must be replaced.
- The charger may warm during charging. This is part of the normal operation of the charger. Charge in a well-ventilated area.

LED FUNCTIONS OF CHARGER

For BA1120E, BA1400, BA2240E, BA2800, BA3360, BA4200

LED INDICATOR	BATTERY PACK	LED ON THE CHARGER				POWER INDICATOR ON THE BATTERY PACK	BATTERY PACK POWER	ACTION
		LED1	LED2	LED3	LED4			
	Defective	Flashing red or off	Off	Off	Off	Off	—	Battery pack or charger is defective.
	Cold/Hot Battery	Shining red	Off	Off	Off	Off	—	Charging will begin when battery pack returns to 3°C–57°C.
	Charging	Flashing green	Off	Off	Off	Flashing red, orange and green alternately	Less than 25%	Charging
		Shining green alternately		Off	Off		25% to 50%	Charging
		Shining green alternately			Off		50% to 75%	Charging
		Shining green alternately					75% to 90%	Charging
	Full Charged	Shining green continuously				Off	90% to 100%	Charging is complete. Maintenance charging.
—	Self-maintenance	Intermittently quick flashing in green				Off	Approx. 30%	Battery pack is performing self-maintenance or in sleep mode. Reinstall the battery pack on the charger to recharge it fully.



For BA1400T, BA2240T, BA2242T, BA2800T, BA4200T, BA5600T, BA6720T

EN

LED INDICATOR	BATTERY PACK	LED ON THE CHARGER				5-LED INDICATOR ON THE BATTERY PACK	BATTERY PACK POWER	ACTION
		LED1	LED2	LED3	LED4			
	Defective	Flashing red or off	Off	Off	Off	Off	—	Battery pack or charger is defective.
	Cold/Hot Battery	Shining red	Off	Off	Off	Off	—	Charging will begin when battery pack returns to 3°C-57°C(For BBA1400T, BA2240T, BA2242T, BA2800T, BA4200T, BA5600T, BA6720T)/3°C-50°C(For BA2240T).
	Charging	Flashing green	Off	Off	Off	Last segment flashing green, rest solid green	Less than 25%	Charging
		Shining green alternately		Off	Off		25% to 50%	Charging
		Shining green alternately		Off			50% to 75%	Charging
		Shining green alternately					75% to 90%	Charging
	Full Charged	Shining green continuously				Off	90% to 100%	Charging is complete. Maintenance charging.
—	Self-maintenance	Intermittently quick flashing in green				Off	Approx. 30%	Battery pack is performing self-maintenance or in sleep mode. Reinstall the battery pack on the charger to recharge it fully.

CHARGING A HOT OR COLD BATTERY PACK

If the battery pack is out of the normal temperature range, LED1 will shine red. When the battery pack cools down to approximately 57°C (42°C for BAX1300, 50°C for BA2240T) or warms to more than 3°C, the charger will automatically begin charging and the 4 LEDs will sequence normally.

DEFECTIVE BATTERY PACK OR CHARGER

If the charger detects a problem, LED1 will begin flashing red or all the LEDs will turn off.

To charge BA1120E, BA1400, BA2240E, BA2242T, BA2800, BA3360, BA4200, BA1400T, BA2240T, BA2800T, BA4200T, BA5600T, BA6720T

1. If registering as defective, remove and reinsert the battery pack in the charger. If the LEDs still read “defective” a second time, try charging a different battery pack.
2. If a different battery pack charges normally, dispose of the defective battery pack (refer to the instructions in the battery pack manual).
3. If a different battery pack also indicates “defective”, unplug the charger and wait until the flashing LED1 goes out, then reconnect the plug to the power supply. If LED1 on charger still display defective, the charge may be defective.

To charge BAX1300

1. If registering as defective, remove and reconnect the battery pack and charger with the adaptor. If the LEDs still read “defective” a second time, try replacing a new adaptor or charging a different battery pack.
2. If a different adaptor or battery pack charges normally, dispose of the defective adaptor or battery pack (refer to the instructions in the battery pack manual).
3. If repalcing the battery pack and adaptor together also indicates “defective”, unplug the charger and wait until the flashing LED1 goes out, then reconnect the plug to the power supply. If LED1 on charger still display defective, the charge may be defective.

WALL-MOUNT HOLES

The charger has hanging holes for convenient storage (Fig. A-6). Install screws in the wall 76mm apart. Use screws sufficiently strong to hold the combined weight of the charger and battery pack (approximately maximum 4.1 kg).

MAINTENANCE

⚠ WARNING: To avoid serious personal injury, always remove the battery pack from the tool when cleaning or performing any maintenance.

⚠ WARNING: When servicing, use only identical EGO replacement parts. Use of any other parts may create a hazard or cause product damage.

⚠ WARNING: It is not recommended to use compressed dry air as a cleaning method of the charger. If cleaning with compressed air is the only method to apply, always wear safety goggles or safety glasses with side shields when cleaning the tool. If the operation is dusty, also wear a dust mask.

⚠ WARNING: If the supply cord is damaged, it must be replaced by the manufacturer, its service agent or similarly qualified persons in order to avoid a hazard.

GENERAL MAINTENANCE

Avoid using solvents when cleaning plastic parts. Most plastics are susceptible to damage from various types of commercial solvents and may be damaged by their use. Use clean cloths to remove dirt, dust, oil, grease, etc.

⚠ WARNING: Do not at any time let brake fluids, gasoline, petroleum-based products, penetrating oils, etc. to come in contact with plastic parts. Chemicals can damage, weaken or destroy plastic which may result in serious personal injury.

⚠ WARNING: When servicing, use only identical EGO replacement parts. Use of any other parts may create a hazard or cause product damage. To ensure safety and reliability, all repairs should be performed by a qualified service technician at an EGO Service Center.

Protecting the environment



Do not dispose of electrical equipment, battery charger and batteries/ rechargeable batteries into household waste!

According to the European law 2012/19/ EU, electrical and electronic equipment that is no longer usable, and according to the European law 2006/66/EC, defective or used battery packs/batteries, must be collected separately.

If electrical appliances are disposed of in landfills or dumps, hazardous substances can leak into the groundwater and get into the food chain, damaging your health and well-being.



TROUBLESHOOTING

EN

PROBLEM	CAUSE	SOLUTION
Charger doesn't work. LED1 flashes red or all the LEDs go out.	Battery pack, adaptor or charger is defective or bad connection between the battery pack , adaptor and charger.	<ul style="list-style-type: none">■ Try to remove and reinsert the battery pack/ adaptor in the charger.■ Try to remove and connect the adaptor to the battery pack (For BAX1300).■ Try replacing an adaptor.■ Try charging a different battery pack.■ Unplug the charger and wait until the red LED goes out, then reconnect the plug to the power supply.
Charger doesn't work and LED1 shines red.	Battery pack is too hot or too cold.	Allow the battery pack to reach normal temperature. Charging will begin when battery pack returns to 3°C-57°C (3°C-42°C for BAX1300, 3°C -50°C for BA2240T).

WARRANTY

EGO WARRANTY POLICY

Please visit the website egopowerplus.com for full terms and conditions of the EGO Warranty policy.

DE



LESEN SIE DIE BEDIENUNGSANLEITUNG

⚠ Restrisiko! Menschen mit elektronischen Geräten, wie z.B. Herzschrittmachern, sollten ihren Arzt konsultieren, bevor sie dieses Gerät verwenden. Die Bedienung von Elektrogeräten in unmittelbarer Nähe zu Herzschrittmachern kann zu Interferenzen und Störungen des Schrittmachers führen.

⚠ WARNUNG: Um die Sicherheit und Zuverlässigkeit zu gewährleisten, sollten alle Reparaturen nur von qualifizierten Servicetechnikern durchgeführt werden.

⚠ WARNUNG: Dieses Gerät kann von Kindern ab 8 Jahren und Personen mit eingeschränkten körperlichen, sensorischen oder geistigen Fähigkeiten oder Personen, denen es an Erfahrung und Kenntnis mangelt, benutzt werden, wenn sie beaufsichtigt werden oder in den sicheren Gebrauch des Gerätes unterwiesen wurden und die damit verbundenen Gefahren verstehen. Kinder dürfen nicht mit dem Gerät spielen. Die Reinigung und vom Benutzer auszuführende Wartungsarbeiten dürfen von Kindern nicht ohne Aufsicht durchgeführt werden.

SICHERHEITSSYMBOL

Der Zweck von Sicherheitssymbolen besteht darin, Ihre Aufmerksamkeit auf mögliche Gefahren zu lenken. Die Sicherheitssymbole und deren Erklärungen verdienen Ihre vollste Aufmerksamkeit und Ihr Verständnis. Die Warnsymbole beseitigen nicht von sich aus die Gefahren. Ihre Anweisungen und Warnungen sind kein Ersatz für angemessene Unfallverhütungsmaßnahmen.

⚠ WARNUNG: Achten Sie darauf, dass Sie, bevor Sie das Gerät benutzen, alle Sicherheitsanweisungen dieser Bedienungsanleitung gelesen und verstanden haben, einschließlich aller Gefahrenzeichen wie „**VORSICHT**“, „**WARNUNG**“ und „**ACHTUNG**“. Die Nichtbeachtung der unten angeführten Anweisungen kann zu Stromschlägen, Feuer und/oder schweren Verletzungen führen.

SICHERHEITSHINWEISE

Diese Seite zeigt und beschreibt die Sicherheitssymbole, die auf diesem Produkt erscheinen können. Lesen, verstehen und befolgen Sie die Anweisungen auf dem Gerät, bevor Sie versuchen, das Gerät zusammenzubauen oder zu bedienen.

	Sicherheitswarnung	Vorsichtsmaßnahmen, die Ihre Sicherheit betreffen
	Lesen Sie die Bedienungsanleitung	Um das Verletzungsrisiko zu verringern, muss der Benutzer die Bedienungsanleitung lesenl.
	Benutzung im Haus	Dieses Gerät nicht im Freien benutzen
	Schutzklasse II	Doppelte Isolierung
	Sicherungen	Träge Mini-Sicherungseinsätze
	CE	Dieses Produkt erfüllt die anwendbaren EG-Richtlinien.
	UKCA	Dieses Produkt entspricht den geltenden Vorschriften des Vereinigten Königreichs.
	WEEE	Elektro- und Elektronik-Altgeräte dürfen nicht im Hausmüll entsorgt werden. Bringen Sie das Gerät zu einem zugelassenen Recyclinghof.
V	Volt	Spannung
A	Ampere	Stromstärke
Hz	Hertz	Frequenz
W	Watt	Leistung
min	Minuten	Zeit
	Wechselstrom	Stromzufuhr
	Gleichstrom	Art oder Eigenschaft der Stromzufuhr

⚠ WARNUNG: Lesen und befolgen Sie alle Anweisungen. Die Nichtbeachtung der unten genannten Anweisungen kann zu Stromschlägen, Feuer und/oder schweren Verletzungen führen.

SICHERHEIT IM ARBEITSBEREICH

- **Halten Sie den Arbeitsbereich stets sauber und gut beleuchtet.** Nicht aufgeräumte oder dunkle Bereiche können Unfälle provozieren.
- **Verwenden Sie das EGO-Ladegerät nicht in explosionsgefährdeten Umgebungen wie z.B. in Gegenwart von entzündlichen Flüssigkeiten, Gasen oder Staub.** Ladegeräte können Funken erzeugen, durch die sich Staub oder Dämpfe entzünden können.

ELEKTRISCHE SICHERHEIT

- **Die Netzstecker von Elektrowerkzeugen müssen zur Steckdose passen.** Modifizieren Sie den Stecker in keiner Weise. Verwenden Sie keine Adapterstecker mit geerdeten Elektrowerkzeugen. Nicht modifizierte Stecker und passende Steckdosen reduzieren die Stromschlaggefahr.
- **Setzen Sie das Ladegerät nicht bei Regen oder anderen feuchten Bedingungen ein.** Eindringendes Wasser erhöht das Risiko für Stromschläge.
- **Beanspruchen Sie das Kabel nicht übermäßig.** Tragen oder ziehen Sie das Ladegerät niemals am Kabel und ziehen Sie nicht am Kabel, um den Stecker aus der Steckdose zu entfernen. Halten Sie das Kabel von Hitze, Öl, scharfen Kanten oder beweglichen Teilen fern. Beschädigte oder verknottete Kabel erhöhen die Stromschlaggefahr.
- **Der Körperkontakt mit geerdeten Flächen, wie Rohren, Heizungen, Herden und Kühlschränken, ist zu vermeiden.** Es besteht erhöhte Stromschlaggefahr, wenn Ihr Körper geerdet ist.
- **Wenn Sie ein Elektrowerkzeug im Freien benutzen, verwenden Sie ein Verlängerungskabel, das für den Außeneinsatz geeignet ist.** Die Verwendung eines für den Gebrauch im Freien geeigneten Kabels reduziert die Stromschlaggefahr.
- Das EGO Ladegerät kann die nachfolgend aufgeführten EGO Lithium-Ionen Akkusätze aufladen:

LADEGERÄT	AKKUSÄTZE
CH5500E	BA1120E, BA1400, BA2240E, BA2240T, BA2242T, BA2800, BA3360, BA4200, BA1400T, BA2800T, BA4200T, BA5600T, BA6720T

WARTUNG

- **Lassen Sie Ihr Ladegerät von einer qualifizierten Fachkraft und nur mit originalen Ersatzteilen reparieren.** Dadurch wird gewährleistet, dass die Sicherheit des Ladegerätes gewahrt wird.
- **Bei der Instandsetzung des Ladegerätes dürfen nur identische Ersatzteile verwendet werden. Befolgen Sie die Hinweise zur Wartung in dieser Bedienungsanleitung.** Die Verwendung von nicht zugelassenen Teilen oder ein Nichtbefolgen der Wartungsanleitung kann zu Stromschlägen oder Verletzungen führen.

SICHERHEITSHINWEISE FÜR DAS LADEGERÄT

⚠ VORSICHT: Um das Risiko von Stromschlägen oder Beschädigungen am Ladegerät und Akku zu reduzieren, laden Sie nur die Lithium-Ionen-Akkus auf, die speziell auf dem Etikett Ihres Ladegerätes angegeben sind. Andere Akkuausführungen können bersten und Verletzungen oder Beschädigungen verursachen.

- Dieses Gerät ist nicht dazu bestimmt, von Personen (einschließlich Kindern) mit eingeschränkten körperlichen, sensorischen oder geistigen Fähigkeiten, oder denen es an Erfahrung und Kenntnis fehlt, benutzt zu werden; es sei denn, sie werden von einer für ihre Sicherheit verantwortlichen Person beaufsichtigt und in die Benutzung des Gerätes eingewiesen.
- **Lesen Sie vor dem Gebrauch des Ladegerätes alle Anleitungen und Warnhinweise in dieser Bedienungsanleitung und auf dem Ladegerät, dem Akku und dem Produkt, für das der Akku bestimmt ist, um einem Fehlgebrauch des Produktes und möglichen Verletzungen oder Beschädigungen vorzubeugen.**
- **Benutzen Sie das Ladegerät nicht im Freien oder setzen Sie es nassen oder feuchten Bedingungen aus.** Eindringendes Wasser erhöht die Stromschlaggefahr.
- **Berühren Sie das Ladegerät, einschließlich des Steckers und der Ladestation, nicht mit nassen Händen.**
- **Die Verwendung eines Zusatzgerätes, das nicht empfohlen oder vom Hersteller des Ladegerätes verkauft wird, kann zu einem Brand, Stromschlag oder Verletzungen führen.**
- **Laden Sie den Akku nur mit dem vom Hersteller angegebenen Ladegerät auf.** Ein Ladegerät, das für einen bestimmten Akkutyp geeignet ist, kann bei der Benutzung mit einem anderen Akkusatz ein Brandrisiko darstellen.

- **Beanspruchen Sie das Kabel oder das Ladegerät nicht übermäßig.** Tragen Sie das Ladegerät niemals am Kabel. Ziehen Sie nicht am Kabel des Ladegerätes, um den Stecker aus einer Netzsteckdose zu ziehen. Beschädigungen am Kabel oder Ladegerät können auftreten und eine Stromschlaggefahr darstellen. Wechseln Sie beschädigte Kabel sofort aus.
- **Achten Sie darauf, das Kabel so zu legen, dass niemand darauf treten und darüber stolpern kann. Achten Sie außerdem darauf, dass Sie mit dem Gerät keine scharfen Kanten oder beweglichen Teile berühren, die das Gerät oder das Kabel beschädigen könnten.** Schäden am Gerät oder am Kabel können Stromschläge verursachen, die wiederum zu Verletzungen des Anwenders führen können.
- **Halten Sie das Kabel und das Ladegerät von Hitze fern, um Beschädigungen am Gehäuse oder der internen Komponenten zu verhindern.**
- **Lassen Sie keine Produkte auf Benzin-, Öl-, Petroleumbasis usw. mit den Kunststoffteilen in Berührung kommen.** Diese Materialien enthalten Chemikalien, die Kunststoff beschädigen, schwächen oder zerstören können.
- **Betreiben Sie das Ladegerät nicht mit einem beschädigten Kabel oder Stecker, diese könnten einen Kurzschluss oder Stromschlag auslösen.** Wenn das Ladegerät defekt ist, lassen Sie es von einem autorisierten Servicetechniker in einem EGO Servicezentrum reparieren oder ersetzen.
- **Benutzen Sie das Ladegerät nicht, wenn es einen starken Stoß erlitten hat, fallen gelassen oder auf andere Weise beschädigt worden ist.** Bringen Sie es zu einem autorisierten Servicetechniker, um eine elektrische Prüfung durchführen zu lassen und zu bestimmen, ob das Ladegerät in betriebsfähigem Zustand ist.
- **Nehmen Sie das Ladegerät nicht auseinander.** Bringen Sie es zu einem autorisierten Servicetechniker, wenn eine Wartung oder Reparatur erforderlich ist. Wenn das Gerät falsch zusammengebaut wird, besteht die Gefahr eines Feuers oder Stromschlags.
- **Ziehen Sie den Stecker des Ladegerätes aus der Netzsteckdose, bevor Sie versuchen, das Gerät zu warten oder zu reinigen, um das Stromschlagrisiko zu reduzieren.**
- **Ziehen Sie den Stecker des Ladegerätes aus der Steckdose, wenn es nicht gebraucht wird.** Dadurch wird das Risiko von Stromschlägen oder Beschädigungen am Ladegerät reduziert, falls

Metallobjekte in die Öffnung fallen sollten. Darüber hinaus werden Beschädigungen am Ladegerät durch Spannungsschwankungen vermieden.

- **Stromschlagrisiko** Berühren Sie nicht den nicht isolierten Teil der Ausgangsbuchse oder den nicht isolierten Batterieanschluss.
- **Bewahren sie die Bedienungsanleitung auf.** Schlagen Sie gegebenenfalls darin nach und verwenden Sie sie, um Andere in die Verwendung des Gerätes einzuweisen. Wenn Sie das Gerät an Andere verleihen, dann verleihen Sie auch diese Anleitung, um der falschen Handhabung und damit möglichen Verletzungen vorzubeugen.

WICHTIGE SICHERHEITSHINWEISE

- **Heben Sie diese Anleitung auf.** Diese Bedienungsanleitung enthält wichtige Sicherheits- und Betriebsanweisungen für das 56-V-Schnellladegerät CH5500E.
- **Lesen Sie vor der Benutzung des Ladegerätes alle Anleitungen und Warnhinweise auf dem Ladegerät, dem Akku und dem Produkt, für das der Akku bestimmt ist.**

⚠ WARNUNG: Bei der Benutzung elektrischer Geräte sollten bestimmte grundlegende Vorsichtsmaßnahmen immer befolgt werden, einschließlich der folgenden:

- Um das Verletzungsrisiko zu reduzieren, ist eine strikte Überwachung notwendig, wenn ein Gerät in der Nähe von Kindern benutzt wird.
- Verwenden Sie nur Zusatzgeräte, die vom Hersteller empfohlen oder verkauft werden.
- Nicht im Freien benutzen.
- Für tragbare Geräte – Um das Stromschlagrisiko zu reduzieren, legen Sie das Ladegerät nicht in Wasser oder andere Flüssigkeiten. Stellen oder lagern Sie das Gerät nicht an einem Ort, von dem es herunterfallen oder in eine Badewanne oder ein Waschbecken gezogen werden kann.

⚠ VORSICHT: Um die Verletzungsgefahr zu reduzieren, laden Sie nur Lithium-Ionen- Akkus auf. Andere Akkutypen können platzen und Verletzungen oder Beschädigungen verursachen.

TECHNISCHE DATEN

Ladegerät-Eingangsleistung	220-240 V~50 Hz, 550 W
Ladegerät-Ausgangsleistung	5-8 A 56 V
Schnell-Ladezeit	BA1120E Akku ca. 25 Minuten BA1400/BA2240E/BA1400T/ BA2240T/BA2242T Akku ca. 30 Minuten BA2240E Akku ca. 30 Minuten BA2800/BA2800T Akku ca. 40 Minuten BA3360 Akku ca. 45 Minuten BA4200/BA4200T Akku ca. 60 Minuten BAX1300 Akku ca. 190 Minuten BA5600T Akku ca. 70 Minuten BA6720T Akku ca. 90 Minuten
Optimale Ladetemperatur	5 °C-40 °C
Ladegerät-Gewicht	1,9 kg

BESCHREIBUNG

AUFBAU (Abb. 1)

1. Einschubschlitz
2. Kühlluftstutzen
3. LED-Anzeigen
4. Elektrische Kontakte
5. Weicher Griff
6. Loch für die Wandmontage

BEDIENUNG

AUFLADEN DES AKKUSATZES

⚠️ WARNUNG: Benutzen Sie das Ladegerät nicht im Freien oder setzen Sie es nassen oder feuchten Bedingungen aus. Wasser, das in das Ladegerät eindringt, erhöht das Risiko für Stromschläge.

HINWEIS: Lithium-Ionen-Akkusätze werden teilweise aufgeladen ausgeliefert. Laden Sie den Akku vor der erstmaligen Benutzung komplett auf.

1. Verbinden Sie das Ladegerät mit der Stromversorgung (220 - 240 V, 50 Hz). Die vier

LED-Ladeanzeigen leuchten kurz grün auf, um anzuzeigen, dass das Ladegerät korrekt funktioniert.

2. Richten Sie die hervorstehenden Rippen des Akkusatzes/Adapters an den Einschuböffnungen des Ladegerätes aus; schieben Sie den Akkusatz/Adapter auf das Ladegerät (Abb. B).

HINWEIS: Wenn Sie den BAX1300 Akkusatz aufladen, verbinden Sie den Adapter zuerst mit dem Akku.

3. Das Ladegerät kommuniziert mit dem Akku, um den Zustand des Akkus zu ermitteln.
4. Wenn der Akku aufgeladen wird, leuchten die vier LED-Ladeanzeigen am Ladegerät von links nach rechts nacheinander grün auf, um den Ladestand anzuzeigen (siehe Abb. C). Die Betriebsanzeige am Akkusatz (BA1120E, BA1400, BA2240E, BA2800, BA3360, BA4200) blinkt nacheinander rot, orange und grün oder die LCD-Anzeige am BAX1300 Akkusatz zeigt die Ladekapazität in numerischen Werten an. Das letzte Segment der 5-LED-Anzeige am Akkusatz blinkt grün. (Für BA1400T, BA2240T, BA2242T, BA2800T, BA4200T, BA5600T, BA6720T. Das Gebläse im Ladegerät läuft ununterbrochen, um den Akkusatz zu kühlen.
5. Wenn der Akku voll aufgeladen ist, schalten die Ladeanzeige-LEDs vom abwechselnden Leuchtmuster auf grünes Dauerleuchten um. Die Betriebsanzeige am Akkusatz erlischt. Warten Sie, bis das Kühlungsgebläse anhält, nehmen Sie den Akkusatz/Adapter aus dem Ladegerät und ziehen Sie den Netzstecker des Ladegerätes aus der Steckdose.
6. Der Akku lädt sich vollständig auf, wenn er in dem Ladegerät gelassen wird und er ist vor dem Überladen geschützt. Wenn der Akku (mit Ausnahme BAX1300) einen Monat oder länger am Ladegerät angeschlossen bleibt, schaltet er auf Selbsterhaltung um und seine Ladung fällt auf 30 % seiner Kapazität ab. Schließen Sie den Akku in diesem Fall einfach wieder am Ladegerät an, um ihn vollständig aufzuladen.

Beschreibung zu Abb. C, siehe unten:

C-1	LED 1	C-3	LED 3
C-2	LED 2	C-4	LED 4

HINWEIS:

- Eine deutlich kürzere Laufzeit nach dem vollständigen Aufladen des Akkusatzes weist daraufhin, dass der Akku sich dem Ende seiner Lebensdauer nähert und ausgewechselt werden müsste.
- Das Ladegerät kann sich während des Ladevorgangs erwärmen. Dies ist eine normale Betriebseigenschaft des Ladegerätes. Laden Sie Akkus an einem gut belüfteten Ort auf.

DE

LED-FUNKTIONEN DES LADEGERÄTES

DE

Für BA1120E, BA1400, BA2240E, BA2800, BA3360, BA4200

LED-ANZEIGE	AKKU	LED AM LADEGERÄT				BETRIEB-SANZEIGE AM AKKU	ENERGIESTATUS	STATUS
		LED1	LED2	LED3	LED4			
	Defekt	Rot blinkend oder aus	Aus	Aus	Aus	Aus	—	Akku oder Ladegerät ist defekt.
	Akku kalt/warm	Rot leuchtend	Aus	Aus	Aus	Aus	—	Ladevorgang beginnt, wenn die Temperatur des Akkus wieder zwischen 3 und 57°C beträgt
	Aufladen	Grün blinkend	Aus	Aus	Aus	Abwechselnd rot, orange und grün blinkend	Weniger als 25 %	Aufladen
		Abwechselnd grün leuchtend		Aus	Aus		25 bis 50 %	Aufladen
		Abwechselnd grün leuchtend			Aus		50 bis 75 %	Aufladen
		Abwechselnd grün leuchtend					75 bis 90 %	Aufladen
	Komplett aufgeladen	Grünes Dauerleuchten				Aus	90 bis 100 %	Ladevorgang ist abgeschlossen. Erhaltungsladung
—	Selbsterhaltung	Grün schnell blinkend				Aus	Ca. 30 %	Akku befindet sich im Selbsterhaltungsmodus oder im Ruhezustand. Schließen Sie den Akku wieder am Ladegerät an, um ihn vollständig aufzuladen.

Für BA1400T, BA2240T, BA2242T, BA2800T, BA4200T, BA5600T, BA6720T

DE

LED-ANZEIGE	AKKU	LED AM LADEGERÄT				5-LED-ANZEIGE AM AKKUPACK	ENERGIESTATUS	STATUS
		LED1	LED2	LED3	LED4			
	Defekt	Rot blinkend oder aus	Aus	Aus	Aus	Aus	—	Akku oder Ladegerät ist defekt.
	Akku kalt/warm	Rot leuchtend	Aus	Aus	Aus	Aus	—	Ladevorgang beginnt, wenn die Temperatur des Akkus wieder zwischen 3 und 57°C beträgt (Für BA1400T, BA2242T, BA2800T, BA4200T, BA5600T, BA6720T)/3 und 50°C(For BA2240T).
	Aufladen	Grün blinkend	Aus	Aus	Aus	Das letzte Segment blinkt grün, leuchtet stetig grün	Weniger als 25 %	Aufladen
		Abwechselnd grün leuchtend		Aus	Aus		25 bis 50 %	Aufladen
		Abwechselnd grün leuchtend		Aus	Aus		50 bis 75 %	Aufladen
		Abwechselnd grün leuchtend					75 bis 90 %	Aufladen
	Komplett aufgeladen	Grünes Dauerleuchten				Aus	90 bis 100 %	Ladevorgang ist abgeschlossen. Erhaltungsladung
—	Selbsterhaltung	Grün schnell blinkend				Aus	Ca. 30 %	Akku befindet sich im Selbsterhaltungsmodus oder im Ruhezustand. Schließen Sie den Akku wieder am Ladegerät an, um ihn vollständig aufzuladen.

AUFLADEN EINES HEISSEN ODER KALTEN AKKUSATZES

Wenn der Akkusatz außerhalb seines normalen Temperaturbereiches ist, leuchtet LED1 rot. Wenn sich der Akkusatz auf etwa 57°C (42 °C für BAX1300, 50°C für BA2240T) abkühlt oder sich über 3°C erwärmt, beginnt das Ladegerät automatisch zu laden und die vier LEDs leuchten in normaler Reihenfolge.

DEFEKTER AKKUSATZ ODER DEFEKTES LADEGERÄT

Wenn das Ladegerät ein Problem erkennt, beginnt LED1 rot zu blinken oder alle LEDs schalten sich aus.

BA1120E, BA1400, BA2240E, BA2242T, BA2800, BA3360, BA4200, BA1400T, BA2240T, BA2800T, BA4200T, BA5600T, BA6720T aufladen

1. Wenn ein Defekt angezeigt wird, nehmen Sie den Akkusatz vom Ladegerät und setzen Sie ihn noch einmal auf das Ladegerät. Wenn die LEDs auch ein zweites Mal „Defekt“ anzeigen, versuchen Sie, einen anderen Akkusatz aufzuladen.

2. Wenn ein anderer Akkusatz normal lädt, entsorgen Sie den defekten Akkusatz (lesen Sie hierzu die Anleitungen in der Gebrauchsanweisung des Akkus).

3. Wenn bei einem anderen Akkusatz ebenfalls „Defekt“ angezeigt wird, ziehen Sie den Stecker des Ladegerätes und warten Sie, bis die blinkende LED1 ausgeht. Verbinden Sie den Stecker dann erneut mit der Steckdose. Wenn LED1 am Ladegerät immer noch „Defekt“ anzeigt, ist das Ladegerät möglicherweise defekt.

BAX1300 aufladen

1. Wenn ein Defekt angezeigt wird, entfernen Sie den Adapter und verbinden Sie den Akkusatz und das Ladegerät erneut mit dem Adapter. Wenn die LEDs weiterhin einen Defekt anzeigen, probieren Sie einen neuen Adapter aus oder versuchen Sie, einen anderen Akkusatz aufzuladen.
2. Falls ein anderer Adapter oder Akkusatz normal funktioniert/bzw. sich auflädt, entsorgen Sie den defekten Adapter oder Akkusatz (siehe Anleitungen im Handbuch des Akkusatzes).

3. Wenn nach dem Ersetzen des Akkusatzes und Adapters immer noch ein Defekt angezeigt wird, ziehen Sie den Stecker des Ladegerätes aus der Steckdose und warten Sie, bis die blinkende LED1 erlischt. Verbinden Sie dann den Stecker wieder mit der Steckdose. Wenn LED1 am Ladegerät weiterhin einen Defekt anzeigt, ist möglicherweise das Ladegerät defekt.

AUFHÄNGELÖCHER FÜR DIE WANDMONTAGE

Das Ladegerät ist mit Aufhängelöchern für eine praktische Aufbewahrung versehen (Abb. A-6). Installieren Sie Schrauben 76 mm voneinander entfernt in der Wand, Verwenden Sie Schrauben, die ausreichend stark sind, das kombinierte Gewicht des Ladegerätes und Akkusatzes tragen zu können (ungefähr maximal 4,1kg.)

WARTUNG

⚠️ WARNUNG: Um schwere Verletzungen zu vermeiden, entfernen Sie immer den Akkusatz aus dem Produkt, wenn Sie das Gerät säubern oder Wartungsarbeiten vornehmen.

⚠️ WARNUNG: Verwenden Sie für die Wartung nur identische EGO Ersatzteile. Die Verwendung anderer Teile kann Unfälle und Schäden am Produkt hervorrufen.

⚠️ WARNUNG: Es empfiehlt sich nicht, trockene Druckluft zum Reinigen des Ladegerätes zu verwenden. Falls das Reinigen mit Druckluft die einzige Methode ist, die zur Verfügung steht, tragen Sie immer eine Sicherheitsbrille mit Seitenschutz beim Reinigen des Gerätes. Falls bei dem Vorgang viel Staub erzeugt wird, tragen Sie außerdem eine Staubmaske.

⚠️ WARNUNG: Falls das Netzkabel beschädigt ist, muss es vom Hersteller, seinem Kundendienst oder ähnlich qualifizierten Personen ausgewechselt werden, um Gefahren zu vermeiden.

LAUFENDE WARTUNGSARBEITEN

Verwenden Sie keine Lösungsmittel zum Reinigen der Kunststoffteile. Die meisten Kunststoffe reagieren empfindlich auf die verschiedenen Arten von handelsüblichen Lösungsmitteln und können durch deren Benutzung beschädigt werden. Die Teile könnten beschädigt werden. Nehmen Sie einen sauberen Lappen, um Schmutz, Staub, Öl, Fett usw. zu entfernen.

⚠️ WARNUNG: Lassen Sie niemals Bremsflüssigkeit, Benzin, erdöhlhaltige Produkte, durchdringende Öle usw. in Kontakt mit den Kunststoffteilen kommen. Chemikalien können Kunststoffe beschädigen, angreifen oder

zerstören, was zu schweren Verletzungen führen kann.

⚠️ WARNUNG: Verwenden Sie für die Wartung nur originale EGO Ersatzteile. Die Verwendung anderer Teile kann Unfälle und Schäden am Produkt hervorrufen. Um die Sicherheit und Zuverlässigkeit zu gewährleisten, sollten alle Reparaturen nur von qualifizierten Servicetechnikern in einem EGO Servicezentrum durchgeführt werden.

Schützen Sie die Umwelt



Entsorgen Sie elektronische Geräte, Ladegeräte und Batterien/Akkus nicht im Hausmüll!

Im Einklang mit der europäischen Richtlinie 2012/19/EG müssen elektrische und elektronische Altgeräte separat gesammelt werden. Dasselbe gilt auch für defekte oder verbrauchte Akkus/Batterien nach der europäischen Richtlinie 2006/66/EG.

Wenn elektrische Geräte auf Deponien oder Schutthalde entsorgt werden, dann können gefährliche Substanzen ins Grundwasser sickern und in die Nahrungskette übergehen, was Ihre Gesundheit und Ihr Wohlbefinden beeinträchtigen kann.

FEHLERBEHEBUNG

DE

PROBLEM	URSACHE	LÖSUNG
Das Ladegerät funktioniert nicht. LED1 blinkt rot oder alle LEDs gehen aus.	Akkusatz, Adapter oder Ladegerät ist defekt oder die Verbindung zwischen Akkusatz, Adapter und Ladegerät ist fehlerhaft.	<ul style="list-style-type: none">■ Versuchen Sie, den Akkusatz/Adapter zu entfernen und erneut in das Ladegerät einzusetzen.■ Versuchen Sie, den Adapter vom Akkusatz zu trennen und erneut mit dem Akkusatz zu verbinden (für BAX1300).■ Versuchen Sie, den Adapter zu ersetzen.■ Versuchen Sie, einen anderen Akkusatz zu laden.■ Ziehen Sie den Stecker des Ladegerätes und warten Sie, bis die rote LED ausgeht; verbinden Sie dann den Stecker erneut mit der Steckdose.
Ladegerät funktioniert nicht und LED1 leuchtet rot.	Akkusatz ist zu kalt oder zu heiß.	Lassen Sie den Akkusatz seine Temperatur erreichen. Ladevorgang wenn die Temperatur des Akkusatzes 3°C bis 57°C zurückkehrt ist (42 °C für BAX1300, 3°C -50°C for BA2240T).

GARANTIE

EGO GEWÄHRLEISTUNGSRICHTLINIE

Bitte besuchen Sie unsere website egopowerplus.com mit den kompletten EGO Garantiebedingungen.

LISEZ TOUTES LES INSTRUCTIONS !



LISEZ LE MANUEL D'UTILISATION

FR

⚠ Risques résiduels! Les personnes portant des appareils électroniques, par exemple des stimulateurs cardiaques, doivent consulter leur(s) médecin(s) avant d'utiliser ce produit. L'utilisation d'un équipement électrique près d'un stimulateur cardiaque peut provoquer des interférences ou la panne du stimulateur cardiaque.

⚠ AVERTISSEMENT: Pour garantir la sécurité et la fiabilité, toutes les réparations doivent être effectuées par un réparateur qualifié.

⚠ AVERTISSEMENT: Cet appareil peut être utilisé par des enfants âgés d'au moins 8 ans et par des personnes ayant des capacités physiques, sensorielles ou mentales réduites ou dénuées d'expérience ou de connaissance, s'ils (si elles) sont correctement surveillé(e)s ou si des instructions relatives à l'utilisation de l'appareil en toute sécurité leur ont été données et si les risques encourus ont été appréhendés. Les enfants ne doivent pas jouer avec l'appareil. Le nettoyage et l'entretien par l'utilisateur ne doivent pas être effectués par des enfants sans surveillance.

SYMBOLES DE SÉCURITÉ

L'objectif des symboles de sécurité est d'attirer votre attention sur des dangers potentiels. Les symboles de sécurité et les explications les accompagnants doivent être lus avec attention et compris. Les symboles de mise en garde ne permettent pas par eux-mêmes d'éliminer les dangers. Les consignes et mises en garde ne se substituent pas à des mesures de prévention appropriées des accidents.

⚠ AVERTISSEMENT: Lisez et comprenez impérativement toutes les consignes de sécurité de ce manuel d'utilisation, y compris les symboles de mise en garde de sécurité tels que « **DANGER** », « **AVERTISSEMENT** » et « **ATTENTION** » avant d'utiliser cet outil. Ne pas respecter toutes les consignes listées ci-après peut provoquer un choc électrique, un incendie et/ou des blessures corporelles graves.

CONSIGNES DE SÉCURITÉ

Cette page décrit des symboles de sécurité pouvant être présents sur ce produit. Lisez, comprenez et respectez toutes les instructions présentes sur le produit avant d'essayer de l'assembler et de l'utiliser.

	Alerte de sécurité	Précautions concernant votre sécurité
	Lire le manuel d'utilisation	Pour réduire le risque de blessures, l'utilisateur doit lire le manuel d'utilisation.
	Utiliser en intérieur	Utilisez cet outil exclusivement en intérieur.
	Construction de classe II	Construction à double isolation
	T6,3A Fusibles	Fusible temporisé miniaturisé
	CE	Ce produit est conforme aux directives CE applicables.
	UKCA	Ce produit est conforme à la législation britannique applicable.
	WEEE	Les déchets de produits électriques ne doit pas être jetés avec les ordures ménagères. Jetez-les dans un dans un centre de triage agréé.
V	Volt	Tension
A	Ampères	Courant
Hz	Hertz	Fréquence (cycles par seconde)
W	Watt	Puissance
min	Minutes	Durée
	Courant alternatif	Type de courant
	Courant continu	Type ou caractéristique du courant

⚠ AVERTISSEMENT: Lisez et comprenez toutes les instructions. Ne pas respecter toutes les consignes listées ci-après peut provoquer un choc électrique, un incendie et/ou des blessures corporelles graves.

SÉCURITÉ DE L'AIRE DE TRAVAIL

- **Maintenez l'aire de travail propre et bien rangée.**
Les aires de travail en désordre ou mal éclairées augmentent les risques d'accident.
- **N'utilisez pas le chargeur EGO dans les environnements explosifs, par exemple en présence de liquides, gaz ou poussières**

inflammables. Le chargeur peut générer une étincelle pouvant enflammer les poussières et les vapeurs.

SÉCURITÉ ÉLECTRIQUE

- **La fiche de l'outil électrique doit correspondre à la prise électrique.** Ne modifiez jamais la fiche de quelque manière que ce soit. N'utilisez jamais d'adaptateur de prise avec les outils électriques pourvus d'une mise à la terre. Les fiches non modifiées et les prises de courant appropriées réduisent le risque de choc électrique.
- **N'exposez pas le chargeur à la pluie ou à un environnement mouillé.** Si de l'eau pénètre dans le chargeur, il y a un risque accru de choc électrique.
- **Ne maltraitez pas le cordon d'alimentation.** N'utilisez jamais le cordon d'alimentation pour porter, tirer ou débrancher le chargeur. Veillez à ce qu'il n'entre jamais en contact avec de l'huile, des pièces mobiles, des arêtes tranchantes, et ne soit jamais exposé à de la chaleur. Les cordons d'alimentation endommagés ou emmêlés augmentent le risque de choc électrique.
- **Évitez tout contact physique avec des surfaces mises à la terre, telles que tuyaux, radiateurs, fours ou réfrigérateurs.** Il y a un risque accru de choc électrique si votre corps est relié à la terre.
- **Quand vous utilisez un outil électrique en extérieur, utilisez une rallonge électrique adaptée à un usage en extérieur.** L'utilisation d'une rallonge conçue pour un usage en extérieur permet de réduire le risque de choc électrique.
- Le chargeur EGO peut recharger les batteries lithium-ion EGO listées ci-dessous :

CHARGEUR	BATTERIE
CH5500E	BA1120E, BA1400, BA2240E, BA2240T, BA2242T, BA2800, BA3360, BA4200, BA1400T, BA2800T, BA4200T, BA5600T, BA6720T

RÉPARATION

- **Faites réparer votre chargeur par un réparateur qualifié qui ne doit utiliser que des pièces de rechange identiques.** Cela permet de préserver la sécurité du chargeur.
- **Le chargeur ne doit être réparé qu'avec des pièces de rechange identiques. Respectez les instructions du chapitre Entretien de ce manuel d'utilisation.** L'utilisation de pièces non autorisées ou le non-respect des instructions d'entretien peut créer un risque de choc électrique ou de blessure.

CONSIGNES DE SÉCURITÉ POUR LE CHARGEUR

⚠ ATTENTION: Pour réduire les risques de choc électrique et de détérioration du chargeur et de la batterie, rechargez exclusivement les batteries rechargeables lithium-ion spécifiquement indiquées sur l'étiquette de votre chargeur. D'autres types de batterie peuvent s'enflammer et provoquer des blessures corporelles et des dommages matériels.

FR

- Cet appareil n'est pas conçu pour être utilisé par des personnes (y compris les enfants) dont les capacités physiques, mentales ou sensorielles sont réduites, ou manquant d'expériences et de connaissances, sauf si une personne responsable de leur sécurité leur a donné des instructions concernant l'utilisation de l'appareil ou les surveille pendant son utilisation.
- **Avant d'utiliser le chargeur de batterie,** listez toutes les consignes et marquages de mise en garde présents dans ce manuel, sur le chargeur de batterie, sur la batterie et sur le produit utilisant la batterie pour éviter l'utilisation incorrecte des produits et des blessures et dommages potentiels.
- **N'utilisez pas le chargeur en extérieur et ne l'exposez pas à des environnements humides ou mouillés.** Si de l'eau pénètre dans le chargeur, il y a un risque accru de choc électrique.
- **Ne manipulez pas le chargeur, y compris sa fiche, ni les contacts du chargeur avec les mains mouillées.**
- **L'utilisation d'accessoires non recommandés ou non vendus par le fabricant du chargeur de batterie peut engendrer un risque d'incendie, de choc électrique ou de blessure électrique.**
- **Rechargez exclusivement avec le chargeur spécifié par le fabricant.** Un chargeur adapté à un type de batterie peut présenter un risque d'incendie s'il est utilisé avec une batterie différente.
- **Ne maltraitez pas le cordon d'alimentation et le chargeur.** Ne portez jamais le chargeur par son cordon d'alimentation. Ne tirez pas sur le cordon d'alimentation du chargeur pour débrancher sa fiche d'une prise électrique. Cela pourrait provoquer la détérioration du chargeur et de son cordon d'alimentation et engendrer un risque de choc électrique. Tout cordon d'alimentation endommagé doit être immédiatement remplacé.

- **Veillez à ce que le cordon d'alimentation soit positionné en sorte qu'on ne puisse pas marcher ni trébucher dessus, et à ce qu'il ne soit pas en contact avec des arêtes coupantes ou des pièces mobiles, ni soumis à un stress ou une détérioration d'une autre manière.** Cela permet de réduire le risque de chute accidentelle pouvant provoquer des blessures et la détérioration du cordon d'alimentation, ce qui pourrait provoquer un choc électrique.
- **Veillez à ce que le cordon d'alimentation et le chargeur restent éloignés de toute source de chaleur afin d'éviter d'endommager le boîtier et les pièces internes.**
- **Veillez à ce qu'il n'y ait pas d'essence, d'huile, de produit à base de pétrole, etc., qui entre en contact avec les pièces en plastiques.** Ces matières contiennent des substances chimiques pouvant endommager, fragiliser ou détruire le plastique.
- **N'utilisez pas le chargeur avec un cordon d'alimentation ou une fiche endommagé, car cela pourrait provoquer un choc électrique ou un court-circuit.** S'ils sont endommagés, faites réparer ou remplacer le chargeur par un réparateur agréé dans un centre de réparation EGO.
- **N'utilisez pas le chargeur s'il a subi un choc violent, s'il est tombé ou s'il a été endommagé d'une autre manière.** Apportez le chargeur à un réparateur agréé pour le faire inspecter électriquement afin de déterminer s'il est en bon état de fonctionnement.
- **Ne démontez pas le chargeur.** Apportez-le à un réparateur agréé s'il a besoin d'être révisé ou réparé. Un réassemblage incorrect peut générer un risque d'incendie ou de choc électrique.
- **Débranchez le chargeur de la prise électrique avant toute opération d'entretien ou de nettoyage afin de réduire le risque de choc électrique.**
- **Débranchez toujours le chargeur de l'alimentation électrique quand vous ne l'utilisez pas.** Cela permet de réduire le risque de choc électrique et de détérioration du chargeur au cas où des objets métalliques tomberaient dans ses ouvertures. Cela permet également de prévenir la détérioration du chargeur en cas de surtension.
- **Risque de choc électrique.** Ne touchez pas la partie non isolée des connecteurs de sortie ni les contacts non isolés de la batterie.

- **Conservez ce manuel d'utilisation.** Consultez-le fréquemment et servez-vous-en pour instruire les autres personnes devant utiliser cet outil. Si vous prêtez cet outil à un tiers, prêtez-lui également ce manuel d'utilisation pour éviter l'utilisation incorrecte du produit et des blessures potentielles.

CONSIGNES DE SÉCURITÉ IMPORTANTES

- **Conservez ce manuel d'utilisation.** Ce manuel contient d'importantes consignes de sécurité et instructions d'utilisation pour le chargeur rapide 56 V CH5500E.
- **Avant d'utiliser le chargeur de batterie, lisez toutes les instructions et tous les marquages de mise en garde présents sur le chargeur, la batterie et le produit utilisant la batterie.**

⚠ AVERTISSEMENT: Lors de l'utilisation d'appareils électriques, des précautions élémentaires doivent toujours être respectées, parmi lesquelles :

- Pour réduire le risque de blessures, une supervision étroite est nécessaire quand l'appareil est utilisé près d'enfants.
- Utilisez exclusivement les accessoires recommandés ou vendus par le fabricant.
- N'utilisez pas l'appareil en extérieur.
- Pour un appareil portable – Afin de réduire le risque de choc électrique, ne mettez pas le chargeur dans de l'eau ni dans un autre liquide. Ne rangez pas et ne placez pas l'appareil dans un endroit d'où il peut tomber ou être tiré dans une baignoire ou un lavabo.

⚠ ATTENTION: Pour réduire le risque de blessure, rechargez exclusivement des batteries rechargeables lithium-ion. D'autres types de batterie peuvent s'enflammer et provoquer des blessures corporelles et des dommages matériels.

SPÉCIFICATIONS

Charger Input	220-240 V~50 Hz, 550 W
Charger Output	5-8 A 56 V
Quick-Charge Time	25 minutes environ pour la batterie BA1120E 30 minutes environ pour la batterie BA1400/BA2240T/BA2240T/BA2242T 40 minutes environ pour la batterie BA2800/BA2800T 45 minutes environ pour la batterie BA3360 60 minutes environ pour la batterie BA4200/BA4200T 190 minutes environ pour la batterie BAX1300 70 minutes environ pour la batterie BA5600T 90 minutes environ pour la batterie BA6720T
Optimum Charging Temperature	5 °C-40 °C
Charger Weight	1,9 kg

DESCRIPTION

DESCRIPTION DE VOTRE CHARGEUR (Image. A)

1. Rainure d'assemblage
2. Ouïes de ventilation
3. Voyants LED
4. Contacts électriques
5. Poignée soft grip
6. Trou de fixation murale

UTILISATION

RECHARGER LA BATTERIE

⚠ AVERTISSEMENT: N'utilisez pas le chargeur en extérieur et ne l'exposez pas à des environnements humides ou mouillés. Si de l'eau pénètre dans le chargeur, il y a un risque accru de choc électrique.

REMARQUE: Les batteries lithium-ion sont fournies partiellement chargées. Avant de les utiliser pour la première fois, rechargez-les complètement.

1. Branchez le chargeur dans une prise électrique (220-240 V~ 50 Hz). Les quatre LED de recharge s'allument brièvement en vert pour indiquer que le chargeur fonctionne normalement.
2. Alignez les nervures de l'adaptateur/batterie avec

les rainures d'assemblage du chargeur et insérez l'adaptateur/batterie sur le chargeur en le faisant glisser (Image B).

REMARQUE : Si vous voulez recharger la batterie BAX1300, connectez d'abord l'adaptateur à la batterie.

3. Le chargeur communique avec la batterie afin d'évaluer l'état de la batterie.
4. Pendant la recharge de la batterie, les quatre LED du chargeur s'allument progressivement en vert, de la gauche vers la droite pour indiquer le niveau de charge (Image C). Le voyant d'alimentation de la batterie (BA1120E, BA1400, BA2240E, BA2800, BA3360, BA4200) clignote dans l'ordre suivant : rouge, orange et vert, ou l'indicateur LCD d'alimentation de la batterie BAX1300 affiche le niveau de charge. Le dernier segment du voyant à 5 LED de la batterie clignote en vert (Pour BA1400T, BA2240T, BA2242T, BA2800T, BA4200T, BA5600T, BA6720T) Le ventilateur du chargeur fonctionne en continu pour refroidir la batterie.
5. Une fois la batterie complètement rechargée, les LED de recharge s'arrêtent de clignoter et restent allumées en vert. Le voyant d'alimentation de la batterie s'éteint. Attendez que le ventilateur de refroidissement s'arrête, puis retirez l'adaptateur/batterie du chargeur et débranchez le chargeur de la prise électrique.
6. Si la batterie complètement rechargée est laissée sur le chargeur, elle ne subira pas de surcharge. Si la batterie (sauf pour la BAX1300) reste sur le chargeur pendant un mois ou plus, elle effectuera sa maintenance automatiquement et sa charge baissera à 30 % de sa charge maximale. Si cela se produit, réinstallez la batterie sur le chargeur pour la recharger complètement.

Image C Description des pièces, voir ci-dessous :

C-1	LED 1	C-3	LED 3
C-2	LED 2	C-4	LED 4

REMARQUE:

- La réduction significative de l'autonomie après la recharge complète de la batterie indique qu'elle est en fin de vie et doit être remplacée.
- Le chargeur peut chauffer pendant la recharge. Cela fait partie du fonctionnement normal du chargeur. Rechargez dans un endroit bien aéré.

FR

INDICATIONS FOURNIES PAR LES LED DU CHARGEUR

Pour BA1120E, BA1400, BA2240E, BA2800, BA3360, BA4200

FR

VOYANT LED	BATTERIE	LED DU CHARGEUR				VOYANT D'ALIMENTATION DE LA BATTERIE	CHARGE DE LA BATTERIE	ACTION
		LED1	LED2	LED3	LED4			
	Défectueuse	Clignote en rouge ou est éteint	Éteint	Éteint	Éteint	Éteint	—	La batterie ou le chargeur est défectueux.
	Batterie trop chaude/froide	Allumé en rouge	Éteint	Éteint	Éteint	Éteint	—	La recharge commencera quand la température de la batterie sera à nouveau comprise entre 3 °C et 57 °C.
	Recharge en cours	Clignote en vert	Éteint	Éteint	Éteint	Clignote alternativement en rouge, orange et vert.	Moins de 25 %	Recharge en cours
		S'allument en vert alternativement	Éteint	Éteint			25 % à 50 %	Recharge en cours
		S'allument en vert alternativement		Éteint			50 % à 75 %	Recharge en cours
		S'allument en vert alternativement					75 % à 90 %	Recharge en cours
	Complètement rechargée	S'allument en vert en continu			Éteint	90 % à 100 %	La recharge est terminée. Recharge d'entretien.	
—	Maintenance automatique	Clignotent rapidement en vert			Éteint	30 % environ	La batterie effectue sa maintenance automatique ou est en veille. Réinstallez la batterie sur le chargeur pour la recharger complètement.	

Pour BA1400T, BA2240T, BA2242T, BA2800T, BA4200T, BA5600T, BA6720T

FR

VOYANT LED	BATTERIE	LED DU CHARGEUR				INDICADOR DE 5 LEDES EN LA BATERÍA	CHARGE DE LA BATTERIE	ACTION
		LED1	LED2	LED3	LED4			
	Défectueuse	Clignote en rouge ou est éteint	Éteint	Éteint	Éteint	Éteint	—	La batterie ou le chargeur est défectueux.
	Batterie trop chaude/froide	Allumé en rouge	Éteint	Éteint	Éteint	Éteint	—	La recharge commencera quand la température de la batterie sera à nouveau comprise entre 3°C et 57°C (Pour BA1400T, BA2242T, BA2800T, BA4200T, BA5600T, BA6720T)/3°C et 50°C (Pour BA2240T).
	Recharge en cours	Clignote en vert	Éteint	Éteint	Éteint	Le dernier segment clignote en vert, les autres restent allumés en vert	Moins de 25 %	Recharge en cours
		S'allument en vert alternativement		Éteint	Éteint		25 % à 50 %	Recharge en cours
		S'allument en vert alternativement		Éteint			50 % à 75 %	Recharge en cours
		S'allument en vert alternativement		Éteint			75 % à 90 %	Recharge en cours
	Complètement rechargée	S'allument en vert en continu			Éteint	90 % à 100 %	La recharge est terminée. Recharge d'entretien.	
—	Maintenance automatique	Clignotent rapidement en vert			Éteint	30 % environ	La batterie effectue sa maintenance automatique ou est en veille. Réinstallez la batterie sur le chargeur pour la recharger complètement.	

RECHARGER UNE BATTERIE TROP FROIDE OU TROP CHAUDE

Si la température de la batterie n'est pas dans la plage de températures normales, la LED1 s'allume en rouge. Une fois que la batterie a refroidi jusqu'à 57°C (42°C pour la BAX1300, 50°C for BA2240T) environ ou s'est réchauffée jusqu'à plus de 3°C, le chargeur commence automatiquement à la recharger et les 4LED s'allument alternativement normalement.

BATTERIE OU CHARGEUR DÉFECTUEUX

Si le chargeur détecte un problème, la LED1 clignote en rouge ou toutes les LED s'éteignent.

POUR CHARGER BA1120E, BA1400, BA2240E, BA2242T, BA2800, BA3360, BA4200, BA1400T, BA2240T, BA2800T, BA4200T, BA5600T, BA6720T

1. Si un défaut est indiqué, retirez et réinsérez la batterie sur le chargeur. Si les LED continuent d'indiquer un défaut, essayez de recharger une autre batterie.
2. Si la recharge se passe normalement avec l'autre batterie, mettez au rebut la batterie défectueuse (voir les instructions dans le manuel d'utilisation de la batterie).
3. Si avec l'autre batterie insérée, le chargeur indique toujours un défaut, débranchez le chargeur et attendez que la LED 1 clignotante s'éteigne, puis rebranchez sa fiche dans la prise électrique. Si la LED 1 du chargeur indique toujours un problème, le chargeur est peut-être défectueux.

POUR CHARGER BAX1300

1. Si un défaut est indiqué, retirez et reconnectez la batterie et le chargeur avec l'adaptateur. Si les LED continuent d'indiquer un défaut, réessayez en utilisant un adaptateur neuf ou en rechargeant une autre batterie.
2. Si la recharge se passe normalement avec l'autre adaptateur/batterie, mettez au rebut l'adaptateur/batterie défectueux (voir les instructions dans le manuel d'utilisation de la batterie).
3. Si avec l'autre adaptateur/batterie inséré, le chargeur indique toujours un défaut, débranchez le chargeur et attendez que la LED 1 clignotante s'éteigne, puis rebranchez sa fiche dans la prise électrique. Si la LED 1 du chargeur indique toujours un problème, le chargeur est peut-être défectueux.

TROUS DE FIXATION MURALE

Le chargeur comporte deux trous de fixation murale facilitant son rangement (Image A-6). Insérez des vis dans un mur en les séparant de 76 mm. Utilisez des vis suffisamment longues pour pouvoir supporter le poids combiné du chargeur et de la batterie (maximum de 4,1 kg environ).

ENTRETIEN

⚠ AVERTISSEMENT: Afin de vous prémunir contre des blessures corporelles graves, retirez toujours la batterie de l'outil avant toute opération de nettoyage ou d'entretien.

⚠ AVERTISSEMENT: Les réparations ne doivent être effectuées qu'avec des pièces de rechange EGO identiques. L'utilisation de toute autre pièce peut créer un danger ou détériorer le produit.

⚠ AVERTISSEMENT: Il est recommandé de ne pas utiliser d'air sec comprimé pour nettoyer le chargeur. Si le nettoyage à l'air comprimé est la seule méthode utilisée, portez toujours un masque de sécurité ou des lunettes de sécurité avec boucliers latéraux pendant le nettoyage de l'outil. L'utilisateur doit également porter un masque antipoussières si l'utilisation génère des poussières.

⚠ AVERTISSEMENT: Si le câble d'alimentation est endommagé, il doit être remplacé par le fabricant, son service après-vente ou des personnes de qualification similaire afin d'éviter un danger.

ENTRETIEN GÉNÉRAL

N'utilisez pas de solvant pour nettoyer les pièces en plastique. La plupart des plastiques peuvent être détériorés par de nombreux solvants différents vendus dans le commerce. Utilisez des chiffons propres pour enlever les saletés, les poussières, l'huile, la graisse, etc.

⚠ AVERTISSEMENT: Veillez à ce que les pièces en plastique de l'outil n'entrent jamais en contact avec du liquide de frein, de l'essence, des produits à base de

pétrole, du dégrissant, etc. Les produits chimiques peuvent endommager, fragiliser ou détruire les pièces en plastique, ce qui peut provoquer des blessures corporelles graves.

⚠ AVERTISSEMENT: Les réparations ne doivent être effectuées qu'avec des pièces de rechange EGO identiques. L'utilisation de toute autre pièce peut créer un danger ou détériorer le produit. Pour garantir la sécurité et la fiabilité, toutes les réparations doivent être effectuées par un réparateur qualifié dans un centre de réparation EGO.

Protection de l'environnement



Ne jetez pas les équipements électriques, les chargeurs de batterie, les batteries rechargeables et les piles avec les ordures ménagères!

Conformément à la directive européenne 2012/19/UE, les équipements électriques et électroniques qui ne sont plus utilisables, et conformément à la directive européenne 2006/66/CE, les batteries rechargeables et les piles usagées ou défectueuses doivent être collectés séparément.

Si les appareils électriques sont jetés dans des décharges ou des dépôts d'ordures, des substances dangereuses peuvent s'infiltrer jusque dans la nappe phréatique et entrer dans la chaîne alimentaire, avec un effet néfaste sur votre santé et votre bien-être.

DÉPANNAGE

PROBLÈME	CAUSE	SOLUTION
Le chargeur ne fonctionne pas. La LED1 clignote en rouge ou toutes les LED sont éteintes.	La batterie, l'adaptateur ou le chargeur est défectueux ou il y a une mauvaise connexion entre le chargeur, l'adaptateur et la batterie.	<ul style="list-style-type: none">■ Retirez et réinsérez l'adaptateur/batterie sur le chargeur.■ Retirez et reconnectez l'adaptateur à la batterie (pour la BAX1300).■ Réessayez en changeant l'adaptateur.■ Essayez de recharger une autre batterie.■ Débranchez le chargeur et attendez que la LED rouge s'éteigne, puis rebranchez sa fiche dans la prise électrique.
Le chargeur ne fonctionne pas et la LED1 est allumée en rouge.	La batterie est trop chaude ou trop froide.	Attendez que la batterie atteigne une température normale. La recharge commencera quand la température de la batterie sera à nouveau comprise entre 3°C et 57°C (42 °C pour la BAX1300, 3°C -50°C for BA2240T).

FR

GARANTIE

POLITIQUE DE GARANTIE EGO

Rendez-vous sur le site Internet egopowerplus.com pour consulter les termes et conditions complets de la politique de garantie EGO.

LEA TODAS LAS INSTRUCCIONES!



LEA EL MANUAL DEL USUARIO

ES

⚠ Riesgo residual! Aquellas personas con implantes electrónicos, tales como marcapasos, deberán consultar a su médico antes de utilizar este producto. La utilización de equipos eléctricos a proximidad de un marcapasos podría causar en este interferencias o averías.

⚠ ADVERTENCIA: Para garantizar la seguridad y fiabilidad del producto, confíe cualquier reparación que sea necesaria a personal técnico cualificado.

⚠ ADVERTENCIA: Este aparato podrá ser utilizado por niños a partir de los 8 años o por personas con discapacidades físicas, sensoriales o mentales, o que no cuenten con la experiencia y los conocimientos necesarios, siempre que estén supervisados o hayan recibido instrucciones referentes a su utilización segura por parte de una persona responsable y sean plenamente conscientes de los riesgos implicados. No permita que niños jueguen con el aparato. No permita que niños lleven a cabo las operaciones de limpieza ni aquellas tareas de mantenimiento a efectuar por el usuario, a menos que estén debidamente supervisados por un adulto.

SÍMBOLOS RELACIONADOS CON LA SEGURIDAD

El propósito de los símbolos de seguridad es el de atraer su atención hacia los posibles peligros que conlleva la utilización del producto. Los símbolos de seguridad y las explicaciones que los acompañan requieren su máxima atención y comprensión. Por sí solos, los símbolos de advertencia no eliminan los posibles peligros que pudieran existir. Las instrucciones y advertencias que aquí se incluyen no son sustitutas en modo alguno de las medidas de prevención adecuadas que deben tomarse para evitar posibles accidentes.

⚠ ADVERTENCIA: Antes de utilizar esta herramienta, asegúrese de haber leído y entendido perfectamente todas las instrucciones incluidas en este Manual del usuario, incluidos todos los símbolos de aviso sobre seguridad, tales como «PELIGRO», «ADVERTENCIA» y «PRECAUCIÓN». De no observarse todas las instrucciones proporcionadas a continuación podría existir un riesgo de incendio, electrocución, así como de lesiones físicas.

PRECAUCIONES RELACIONADAS CON LA SEGURIDAD

Esta página muestra y describe los símbolos de seguridad que puede haber en este producto. Asegúrese de leer, entender perfectamente y observar todas las instrucciones estampadas o proporcionadas con el producto antes de proceder a su montaje y utilización.

	Aviso de seguridad	Se trata de precauciones relacionadas con su seguridad
	Leer el Manual del usuario	Para reducir en lo posible el riesgo de lesiones, el usuario debe leer el manual de instrucciones suministrado con el producto.
	Solo para uso en interiores	Utilice este aparato únicamente en interiores
	Protección de la carcasa perteneciente a la Clase II	Carcasa con doble aislamiento
T6,3A 	Fusibles	Mini fusible con retardo
	CE	Este producto está en conformidad con las directivas de la CE aplicables.
	UKCA	Este producto cumple la legislación aplicable del Reino Unido.
	RAEE	Los residuos eléctricos no deberán ser desechados con el resto de la basura doméstica. Llévelos a un punto limpio autorizado.
V	Voltios	Tensión
A	Amperios	Corriente
Hz	Hercios	Frecuencia (ciclos por segundo)
W	Vatios	Potencia eléctrica
min	Minutos	Tiempo
	Corriente alterna	Tipo de corriente
	Corriente continua	Tipo o característica de la corriente

⚠ ADVERTENCIA: Lea detenidamente todas las instrucciones que se incluyen en el manual y asegúrese de haberlas entendido perfectamente. De no observarse

todas las instrucciones proporcionadas a continuación podría existir un riesgo de incendio, electrocución, así como de lesiones físicas.

SEGURIDAD EN LA ZONA DE TRABAJO

- **Mantenga la zona de trabajo bien limpia y suficientemente iluminada.** Aquellas áreas desordenadas o insuficientemente iluminadas son más propensas a accidentes.
- **No utilice el cargador EGO en entornos explosivos, por ejemplo, en presencia de líquidos, gases o polvo inflamables.** El cargador es susceptible de generar chispas que podrían actuar como detonante de vapores y partículas de polvo inflamables.

PAUTAS DE SEGURIDAD ELÉCTRICA

- **Los enchufes de las herramientas eléctricas deberán coincidir con el tipo de toma de corriente donde vayan a conectarse.** Nunca modifique los enchufes en modo alguno. Nunca utilice enchufes adaptadores o ladrones de corriente con herramientas eléctricas equipadas con conexión a tierra. Unos enchufes sin modificar y que coincidan perfectamente con sus tomas de corriente reducirán enormemente los riesgos de electrocución.
- **No exponga el cargador a la acción de la lluvia ni a entornos húmedos.** La penetración de agua en el cargador aumentará el riesgo de electrocución.
- **No maltrate el cable de alimentación eléctrica.** Nunca utilice el cable para transportar, arrastrar, o desenchufar el cargador. Mantenga el cable apartado de fuentes de calor, aceite, cantos afilados o elementos móviles. Unos cables dañados o enredados aumentarán los riesgos de electrocución.
- **Evite cualquier contacto corporal con superficies conectadas a tierra tales como tuberías, radiadores, hornillos eléctricos y frigoríficos.** Existirá un mayor riesgo de electrocución si su cuerpo actúa como conductor a tierra con dichos elementos y dispositivos.
- **Cuando utilice una herramienta eléctrica al aire libre, asegúrese de utilizar alargaderas de corriente especificadas para uso en exteriores.** La utilización de un cable adecuado para uso en exteriores reducirá el riesgo de electrocución.
- El cargador EGO es adecuado para recargar los acumuladores de ion de litio EGO indicados a continuación:

CARGADOR	ACUMULADORES
CH5500E	BA1120E, BA1400, BA2240E, BA2240T, BA2242T, BA2800, BA3360, BA4200, BA1400T, BA2800T, BA4200T, BA5600T, BA6720T

REPARACIONES

- **Asegúrese de que las reparaciones que deban efectuarse en su cargador las lleve a cabo personal técnico cualificado que, además, utilice únicamente piezas de recambio idénticas a las originales.** Solo de este modo podrá garantizarse la seguridad de uso del cargador.
- **Cuando se efectúen reparaciones en el cargador, deberán utilizarse únicamente piezas idénticas a las originales. Siga las instrucciones al respecto indicadas en el apartado titulado “Mantenimiento” del presente manual.** La utilización de piezas no aprobadas por el fabricante, así como de no observarse las Instrucciones de Mantenimiento proporcionadas podría aumentar el riesgo de sufrir electrocución o lesiones físicas.

PAUTAS DE SEGURIDAD PARA EL CARGADOR

- ▲ **¡PRECAUCIÓN!** Para evitar en lo posible cualquier riesgo de electrocución o daños tanto al cargador como a los acumuladores, solo utilice este cargador para recargar aquellos acumuladores de ion de litio específicamente indicados en la etiqueta adherida al cargador. Otros tipos de acumuladores podrían explotar y causar lesiones personales o daños materiales.
- Este aparato no ha sido diseñado para ser utilizado por personas (incluidos niños) con discapacidades físicas, sensoriales o mentales, o que no cuenten con la experiencia o los conocimientos necesarios, a menos que estén supervisados o hayan recibido instrucciones referentes a su utilización por parte de una persona responsable de su seguridad.
- **Antes de utilizar el cargador de baterías,** lea todas las instrucciones e indicaciones de precaución impresas en este manual o estampadas tanto en el cargador como en el acumulador y el producto que lo utilice, a fin de evitar su uso incorrecto y posibles lesiones o daños.
- **No utilice el cargador al aire libre ni lo exponga a entornos húmedos o con excesiva condensación.** La penetración de agua en el cargador aumentará el riesgo de electrocución.
- **No manipule el cargador; incluido su enchufe, conector o sus terminales eléctricos con las manos húmedas.**
- **La utilización de accesorios no recomendados o no suministrados por el fabricante del**

ES

- cargador la baterías podría suponer un riesgo de incendio, electrocución o lesiones físicas.**
- **Recargue la herramienta utilizando únicamente el cargador especificado por el fabricante.** Un cargador adecuado para cierto tipo de acumulador podrá suponer un riesgo de incendio si se utiliza con un acumulador distinto.
 - **No maltrate el cable de alimentación eléctrica del cargador.** Nunca utilice el cable de alimentación para transportar el cargador. Nunca tire del cable cuando quiera desenchufar el cargador de una toma de corriente. De lo contrario, podrían producirse daños en el cargador o el cable y suponer un riesgo de electrocución. Sustituya inmediatamente cualquier cable de alimentación dañado.
 - **Procure tender el cable de alimentación de manera que no sea posible pisarlo, tropezar con él ni someterlo de alguna otra manera a daños o tensión excesiva. Asimismo, manténgalo apartado de elementos móviles y de cantos o bordes afilados.** De esta manera se reducirán los riesgos de caídas fortuitas que podrían causar lesiones físicas o daños al cable propensos a resultar en electrocución.
 - **Mantenga tanto el cable como el cargador apartados de fuentes de calor a fin de evitar daños a su carcasa o elementos internos.**
 - **No permita en ningún momento que gasolina, aceites, productos derivados del petróleo, etc., entren en contacto con los elementos plásticos del aparato.** Estas sustancias contienen productos químicos que podrían dañar, debilitar o destruir el plástico.
 - **No utilice el cargador si su cable de alimentación o enchufe están dañados, ya que podría dar lugar a cortocircuitos y sufrir una descarga eléctrica.** De presentar daños, lleve el cargador a un servicio de asistencia técnica autorizado por EGO a fin de que personal técnico cualificado lo repare o sustituya.
 - **No utilice el cargador si ha sufrido algún impacto severo, se ha dejado caer o ha sido dañado en modo alguno.** Llévelo a un servicio de asistencia técnica autorizado para que lo sometan a una comprobación eléctrica a fin de determinar si el cargador sigue estando en buenas condiciones de funcionamiento.
 - **No intente desarmar el cargador.** Asimismo, llévelo a un servicio de asistencia técnica autorizado en caso de que sea necesaria su reparación o mantenimiento. De volverse a ensamblar de manera incorrecta, podría suponer un riesgo de incendio o electrocución.
 - **Para evitar en lo posible cualquier riesgo de electrocución, desenchufe el cargador de la toma de corriente antes de proceder a su limpieza o mantenimiento.**
 - **Asegúrese de desenchufar el cargador de la red eléctrica cuando no lo esté utilizando.** De esta manera se reducirán los riesgos de sufrir descargas eléctricas o causar daños al cargador en caso de que objetos metálicos penetrasen por alguno de sus orificios. Asimismo, se evitará que el cargador sufra daños en caso de producirse una subida de tensión.
 - **Existe riesgo de electrocución.** No toque la zona sin aislar del conector de salida ni los terminales de contacto sin aislar para el acumulador.
 - **Conserve estas instrucciones.** Consúltelas con frecuencia y utilícelas para instruir a aquellas otras personas que vayan a usar esta herramienta. En caso de prestar esta herramienta a terceros, proporciónelas también estas instrucciones a fin de evitar su uso incorrecto y posibles riesgos de lesiones.
- ### PRECAUCIONES IMPORTANTES DE SEGURIDAD A TENER EN CUENTA
- **Conserve estas instrucciones.** Este manual incluye secciones con informaciones importantes, tales como precauciones relacionadas con la seguridad e instrucciones de uso relacionadas con el Cargador Rápido de 56 V modelo CH5500E.
 - **Antes de utilizar el cargador de baterías, asegúrese de leer todas las instrucciones e indicaciones de precaución estampadas tanto en el cargador como en el acumulador, además de las instrucciones que pudieran acompañar al aparato o herramienta que lo utilice.**
- ⚠ ADVERTENCIA:** Cuando se utilicen aparatos eléctricos, deberán observarse siempre ciertas precauciones básicas, incluidos los puntos indicados a continuación.
- Para evitar en lo posible cualquier riesgo de lesiones físicas, será necesaria una vigilancia constante en caso de que el aparato se utilice a proximidad de niños.
 - No utilice accesorios que no hayan sido recomendados o suministrados por el fabricante.
 - No utilice el aparato en exteriores.
 - Advertencia para aparatos portátiles: para evitar en lo posible cualquier riesgo de electrocución, no sumerja el cargador en agua ni en ningún otro líquido. No coloque o almacene el aparato en un lugar donde pueda caer accidentalmente en una bañera, lavabo o fregadero.

⚠ PRECAUCIÓN! Para evitar en lo posible cualquier riesgo de electrocución, solo utilice este cargador para recargar acumuladores de ion de litio. Otros tipos de acumuladores podrían explotar y causar lesiones personales o daños materiales.

ESPECIFICACIONES

Tensión de entrada del cargador	220-240 V~50 Hz, 550 W
Tensión de salida del cargador	5-8 A 56 V
Tiempo de carga rápida	Aproximadamente 25 minutos para acumuladores modelo BA1120E Aproximadamente 30 minutos para acumuladores modelo BA1400/BA2240E/BA1400T/BA2240T/BA2242T Aproximadamente 40 minutos para acumuladores modelo BA2800/BA2800T Aproximadamente 45 minutos para acumuladores modelo BA3360 Aproximadamente 60 minutos para acumuladores modelo BA4200/BA4200T Aproximadamente 190 minutos para acumuladores modelo BAX1300 Aproximadamente 70 minutos para acumuladores modelo BA5600T Aproximadamente 90 minutos para acumuladores modelo BA6720T
Temperatura ambiente óptima de recarga	5 °C-40 °C
Peso del cargador	1,9 kg

DESCRIPCIÓN

FAMILIARÍCESE CON SU CARGADOR (Fig. A)

1. Ranura de montaje
2. Rejilla de refrigeración
3. Testigos LED
4. Contactos eléctricos
5. Asa de material blanco
6. Orificio para fijación a la pared

UTILIZACIÓN

RECARGA DE ACUMULADORES

⚠ ADVERTENCIA: No utilice el cargador al aire libre ni lo exponga a entornos húmedos o con excesiva condensación. La penetración de agua en el cargador aumentará el riesgo de electrocución.

AVISO: los acumuladores de ion de litio se suministran parcialmente cargados. Antes de usar por primera vez los acumuladores, asegúrese de recargarlos totalmente.

1. Enchufe el cargador a la red eléctrica (suministro eléctrico de 220 - 240 V~ 50 Hz). Los cuatro testigos LED se iluminarán brevemente en verde para indicar que el cargador funciona correctamente.
2. Alinee las nervaduras del acumulador/adaptador con las ranuras de montaje del cargador; a continuación, introduzca el acumulador/adaptador en el cargador, deslizándolo (fig. B).

AVISO: si está cargando el acumulador BAX1300, conecte primero el adaptador a la batería.

3. El cargador se comunicará con el acumulador a fin de evaluar su estado y nivel de carga.
4. Mientras el acumulador está en carga, los cuatro testigos LED de indicación de carga del cargador se iluminarán en verde de manera secuencial; de izquierda a derecha, a fin de indicar el nivel de carga. Consulte la fig. C. El indicador de potencia en el acumulador (BA1120E, BA1400, BA2240E, BA2800, BA3360, BA4200) parpadeará secuencialmente en distintos colores: rojo, naranja y verde, o el indicador de potencia LCD del acumulador BAX1300 indicará de forma numérica la capacidad de carga. El último segmento del indicador de 5 LED de la batería parpadeará de color verde (Para BA1400T, BA2240T, BA2242T, BA2800T, BA4200T, BA5600T, BA6720T). El ventilador incorporado en el cargador funcionará continuamente para enfriar el acumulador.
5. Una vez que el acumulador esté totalmente cargado, los testigos LED de indicación de carga dejarán de iluminarse de manera alternada y permanecerán encendidos en verde. El indicador de potencia del acumulador se apagará. Espere hasta que el ventilador de refrigeración se haya detenido. A continuación, quite del cargador el acumulador/adaptador y desenchufe el cargador de la alimentación eléctrica.
6. El acumulador permanecerá totalmente cargado si se deja en el cargador enchufado a la red eléctrica, sin peligro de que llegue a sobrecargarse. Si se deja el acumulador (excepto el BAX1300) durante un mes o más en el cargador desenchufado de la red eléctrica, pasará al modo de auto-mantenimiento y se descargará hasta alcanzar un 30% su capacidad de carga total. En ese caso, vuelva a enchufar el cargador a la red eléctrica para recargar totalmente el acumulador.

Fig. C, ver abajo la descripción de las piezas:

C-1	LED 1	C-3	LED 3
C-2	LED 2	C-4	LED 4

AVISO:

- Si tras haber recargado totalmente el acumulador se observa una disminución importante de su autonomía habitual, será

ES

indicativo de que el acumulador ha alcanzado el final de su vida útil y será necesario sustituirlo por otro nuevo.

- Es posible que el cargador se caliente durante la recarga del

acumulador. Se trata de un fenómeno normal relacionado con el funcionamiento del cargador. Lleve a cabo la recarga en una zona bien ventilada.

FUNCIONAMIENTO DE LOS TESTIGOS LED DEL CARGADOR

Para BA1120E, BA1400, BA2240E, BA2800, BA3360, BA4200

ES

TESTIGO LED	ACUMULADOR	TESTIGO LED EN EL CARGADOR				TESTIGO DE INDICACIÓN DE CARGA EN EL ACUMULADOR	NIVEL DE CARGA DEL ACUMULADOR	ACCIÓN
		LED1	LED2	LED3	LED4			
	Defectuoso	Parpadeando en rojo o apagado	Apagado	Apagado	Apagado	Apagado	—	Acumulador o cargador defectuoso.
	Acumulador demasiado frío o caliente	Encendido permanentemente en rojo	Apagado	Apagado	Apagado	Apagado	—	El proceso de carga se iniciará cuando la temperatura del acumulador vuelva a estar entre 3°C y 57°C.
	Cargando	Parpadeando en verde	Apagado	Apagado	Apagado	Parpadeando de manera alternada en rojo, ámbar y verde	Menos del 25%	Cargando
		Parpadeando lentamente en verde		Apagado	Apagado		Entre el 25 y el 50%	Cargando
		Parpadeando lentamente en verde			Apagado		Entre el 50 y el 75%	Cargando
		Parpadeando lentamente en verde					Entre el 75 y el 90%	Cargando
	Totalmente cargado	Encendido permanentemente en verde				Apagado	Entre el 90 y el 100%	Proceso de carga finalizado. Recarga de mantenimiento.
—	Auto-mantenimiento	Parpadeando rápidamente en verde				Apagado	Aprox. el 30%	El acumulador está en modo de auto-mantenimiento o en modo latente. Vuelva a enchufar el cargador a la red eléctrica para recargar totalmente el acumulador.

Para BA1400T, BA2240T, BA2242T, BA2800T, BA4200T, BA5600T, BA6720T

TESTIGO LED	ACUMULADOR	TESTIGO LED EN EL CARGADOR				INDICADOR DE 5 LEDES EN LA BATERÍA	NIVEL DE CARGA DEL ACUMULADOR	ACCIÓN
		LED1	LED2	LED3	LED4			
	Defectuoso	Parpadeando en rojo o apagado	Apagado	Apagado	Apagado	Apagado	—	Acumulador o cargador defectuoso.
	Acumulador demasiado frío o caliente	Encendido permanentemente en rojo	Apagado	Apagado	Apagado	Apagado	—	El proceso de carga se iniciará cuando la temperatura del acumulador vuelva a estar entre 3°C y 57°C (Para BA1400T, BA2242T, BA2800T, BA4200T, BA5600T, BA6720T)/ 3°C y 50°C (Para BA2240T).
	Cargando	Parpadeando en verde	Apagado	Apagado	Apagado	El último segmento parpadea de color verde, los demás están encendidos permanentemente en verde	Menos del 25%	Cargando
		Parpadeando lentamente en verde		Apagado	Apagado		Entre el 25 y el 50%	Cargando
		Parpadeando lentamente en verde			Apagado		Entre el 50 y el 75%	Cargando
		Parpadeando lentamente en verde					Entre el 75 y el 90%	Cargando
	Totalmente cargado	Encendido permanentemente en verde				Apagado	Entre el 90 y el 100%	Proceso de carga finalizado. Recarga de mantenimiento.
—	Auto-mantenimiento	Parpadeando rápidamente en verde				Apagado	Aprox. el 30%	El acumulador está en modo de auto-mantenimiento o en modo latente. Vuelva a enchufar el cargador a la red eléctrica para recargar totalmente el acumulador.

ES

RECARGA DE UN ACUMULADOR DEMASIADO FRÍO O CALIENTE

Si la temperatura del acumulador está fuera del margen normal establecido para su recarga, el testigo LED 1 se iluminará en rojo. Una vez que el acumulador se haya enfriado a una temperatura de aproximadamente 57°C (42 °C para el BAX1300, 50°C for BA2240T) o se caliente por encima de los 3°C, el cargador iniciará la carga y sus 4 testigos LED se iluminarán normalmente de manera secuencial.

ACUMULADOR O CARGADOR DEFECTUOSO

Si el cargador detecta un problema, el testigo LED 1 comenzará a parpadear en rojo, o bien todos los testigos LED se apagarán.

PARA CARGAR BA1120E, BA1400, BA2240E,

BA2242T, BA2800, BA3360, BA4200, BA1400T, BA2240T, BA2800T, BA4200T, BA5600T, BA6720T

1. Si se indica como defectuoso, pruebe a retirar y volver a colocar el acumulador en el cargador. Si tras esto, los testigos LED siguen indicando el acumulador como "defectuoso", pruebe a recargar otro acumulador.
2. Si dicho acumulador parece recargarse normalmente, será indicativo de que el primer acumulador está defectuoso y deberá eliminarse (consulte las instrucciones proporcionadas en el manual del acumulador).
3. Si por el contrario, este segundo acumulador también se detecta como "defectuoso", desenchufe el cargador de la red eléctrica y espere a que el testigo LED 1 deje de parpadear y se apague. A continuación,

vuelva a enchufar el cargador a la red eléctrica. Si el testigo LED 1 del cargador sigue indicando un estado defectuoso, es posible que el cargador esté averiado.

PARA CARGAR BAX1300

ES

1. Si se indica como defectuoso, quítelo y vuelva a conectar el acumulador y el cargador con el adaptador. Si los LED siguen indicando “defectuoso” por segunda vez, pruebe a cambiar el adaptador por uno nuevo o a recargar otro acumulador.
2. Si con otro adaptador o acumulador se carga normalmente, elimine el adaptador o el acumulador defectuoso (consulte las instrucciones en el manual del acumulador).
3. Si tras cambiar el acumulador y el adaptador juntos también se indica “defectuoso”, desenchufe el cargador de la red eléctrica y espere a que se apague el LED 1 intermitente. A continuación, vuelva a enchufar el cargador a la red eléctrica. Si el LED 1 del cargador sigue indicando “defectuoso”, es posible que el cargador esté averiado.

ORIFICIOS PARA FIJACIÓN A LA PARED

El cargador cuenta con orificios de fijación mural para mayor comodidad de almacenamiento (Fig. A-6). Instale los correspondientes tornillos en la pared, separados a una distancia de 76 mm. Utilice tornillos lo suficientemente fuertes como para soportar el peso combinado del cargador y acumulador (aproximadamente 4,1 kg como máximo.)

MANTENIMIENTO

⚠ ADVERTENCIA: Para evitar posibles riesgos de lesiones físicas graves, asegúrese siempre de retirar el acumulador de la herramienta antes de proceder a su limpieza o llevar a cabo cualquier tarea de mantenimiento.

⚠ ADVERTENCIA: Cuando efectúe reparaciones en el producto, utilice únicamente piezas originales EGO idénticas a las instaladas de fábrica. La utilización de piezas diferentes o no homologadas podría suponer un peligro o causar daños en el producto.

⚠ ADVERTENCIA: No se recomienda utilizar aire comprimido seco como método para limpiar el cargador. Si el único método de limpieza disponible es utilizando aire a presión, asegúrese siempre de utilizar gafas de seguridad o gafas equipadas con protectores laterales cuando limpie el producto. Asimismo, utilice mascarilla antipolvo si la operación efectuada genera polvo.

⚠ ADVERTENCIA: Si el cable de alimentación está dañado, deberá cambiarlo el fabricante, su agente de servicio técnico o una persona con una cualificación

similar, con el fin de evitar peligros.

MANTENIMIENTO GENERAL

Evite utilizar disolventes para limpiar los elementos plásticos del producto. La mayoría de las piezas de plástico utilizadas son susceptibles de sufrir daños si se limpian con algunos de los tipos de disolventes de uso industrial disponibles en el mercado. Utilice paños limpios para eliminar la suciedad y los residuos de polvo, aceite, grasa, etc.

⚠ ADVERTENCIA: No permita en ningún momento que líquido de frenos, gasolina, productos derivados del petróleo, aceites penetrantes, etc., entren en contacto con los elementos plásticos del producto. Los productos químicos podrían dañar, debilitar o destruir el plástico, con el consiguiente riesgo de provocar lesiones físicas graves.

⚠ ADVERTENCIA: Cuando efectúe reparaciones en el producto, utilice únicamente piezas originales EGO idénticas a las instaladas de fábrica. La utilización de piezas diferentes o no homologadas podría suponer un peligro o causar daños en el producto. Para garantizar la seguridad y fiabilidad del producto, confíe cualquier reparación que sea necesaria a personal técnico cualificado de un Servicio de Asistencia Técnica de EGO.

Protección del medio ambiente



No elimine aparatos eléctricos, cargadores de baterías, acumuladores recargables o baterías junto con los desperdicios domésticos!

Tanto la Directiva europea 2012/19/UE sobre la eliminación de aparatos eléctricos y electrónicos inservibles como la Directiva europea 2006/66/CE sobre la eliminación de baterías o acumuladores defectuosos o agotados estipulan que dichos elementos deben ser objeto de una recogida selectiva.

Si los aparatos eléctricos acabaran tirándose a vertederos o basureros, podrían desprender sustancias perjudiciales que llegarían a contaminar las capas freáticas y entrar en la cadena alimenticia, con el consecuente peligro para la salud y calidad de vida humana.

SOLUCIÓN DE PROBLEMAS

ANOMALÍA	CAUSA	SOLUCIÓN
El cargador no funciona. El testigo LED 1 parpadea en rojo o todos los testigos LED están apagados.	El acumulador, el adaptador o el cargador están defectuosos o hay una mala conexión entre el acumulador, el adaptador y el cargador.	<ul style="list-style-type: none">■ Pruebe a quitar y volver a introducir el acumulador/adaptador en el cargador.■ Pruebe a quitar y volver a conectar el adaptador al acumulador (para el BAX1300).■ Pruebe a sustituir el adaptador.■ Pruebe a recargar otro acumulador.■ Desenchufe el cargador y espere a que el testigo LED rojo se apague. Seguidamente, vuelva a enchufar el cargador a la red eléctrica.
El cargador no funciona y el testigo LED 1 se ilumina en rojo.	El acumulador está demasiado caliente o frío.	Permita que el acumulador alcance una temperatura normal. El proceso de carga se iniciará cuando la temperatura del acumulador vuelva a estar entre 3°C y 57°C (42 °C para el BAX1300, 3°C -50°C for BA2240T).

ES

GARANTÍA

POLÍTICA DE GARANTÍA EGO

Por favor visite nuestra página web egopowerplus.com para los terminos y las condiciones completas de la política de garantía EGO.

LEIA TODAS AS INSTRUÇÕES!



LEIA O MANUAL DO UTILIZADOR

PT

⚠ Risco residual! As pessoas com dispositivos eletrônicos, como pacemakers, deverão consultar o seu médico antes de utilizarem este produto. A utilização de equipamento elétrico perto de um pacemaker pode causar interferências ou falhas no pacemaker.

⚠ AVISO: Para assegurar a segurança e bom funcionamento, todas as reparações deverão ser efetuadas por um técnico de reparação qualificado.

⚠ AVISO: Este aparelho pode ser usado por crianças com mais de 8 anos de idade e pessoas com capacidades físicas, sensoriais ou mentais reduzidas, ou falta de experiência e conhecimentos, se forem supervisionadas e ensinadas quanto à utilização do aparelho de um modo seguro, e compreenderem os perigos envolvidos. As crianças não deverão brincar com o aparelho. A limpeza e manutenção não deverão ser feitas por crianças sem supervisão.

SÍMBOLOS DE SEGURANÇA

O intuito destes símbolos de segurança é chamar a sua atenção para possíveis perigos. Os símbolos de segurança e as explicações apresentadas com eles requerem a sua atenção e compreensão. Os avisos de segurança, só por eles, não eliminam o perigo. As instruções e avisos dados não são substitutos para medidas de prevenção adequadas a acidentes.

⚠ AVISO: Certifique-se de que lê e compreende todas as instruções de segurança neste manual do utilizador, incluindo todos os símbolos de alerta de segurança, como “PERIGO”, “AVISO”, e “CUIDADO” antes de utilizar esta ferramenta. O não cumprimento de todas as instruções apresentadas abaixo pode resultar em choque elétrico, incêndio e/ou lesões pessoais graves.

INSTRUÇÕES DE SEGURANÇA

Esta página retrata e descreve os símbolos de segurança que podem aparecer neste produto. Leia, compreenda e siga todas as instruções na máquina antes de a tentar montar e utilizar.

	Alerta de segurança	Precauções para sua segurança
	Leia o manual do utilizador	De modo a reduzir os riscos de ferimentos, o utilizador deve ler o manual do utilizador.
	Utilização no interior	Use este aparelho apenas no interior
	Construção de classe II	Construção com isolamento duplo
	Elos fusíveis	Elo fusível miniatura intervalo
	CE	Este produto encontra-se em conformidade com as diretivas CE aplicáveis.
	UKCA	Este produto está em conformidade com a legislação aplicável do Reino Unido.
	WEEE	Os produtos elétricos residuais não deverão ser eliminados juntamente com o lixo doméstico comum. Entregue-os num centro de reciclagem autorizado.
V	Volts	Voltagem
A	Amperes	Corrente
Hz	Hertz	Frequência (ciclos por segundo)
W	Watt	Potência
min	Minutos	Tempo
	Corrente alternada	Tipo de corrente
	Corrente direta	Tipo ou característica da corrente

⚠ AVISO: Leia e compreenda todas as instruções. Não seguir todas as instruções apresentadas abaixo pode resultar em choque elétrico, incêndio e/ou lesões graves.

SEGURANÇA NA ÁREA DE TRABALHO

- **Mantenha a área de trabalho limpa e bem iluminada.** Áreas desarrumadas ou escuras são propícias a acidentes.
- **Não utilize o carregador EGO em ambientes explosivos, tal como na presença de líquidos inflamáveis, gases ou pó.** Um carregador pode

criar uma faísca, que pode inflamar o pó ou fumos.

SEGURANÇA ELÉTRICA

- **As fichas da ferramenta eléctrica têm de corresponder à tomada.** Nunca modifique a ficha de algum modo. Não utilize qualquer adaptador com ferramentas eléctricas com ligação à terra. Fichas não modificadas e tomadas correspondentes reduzirão o risco de choque electric.
- **Não exponha o carregador à chuva ou a condições húmidas.** A entrada de água no carregador aumenta o risco de choque eléctrico.
- **Não force o fio.** Nunca utilize o fio para transportar, puxar ou desligar o carregador. Mantenha o fio afastado do calor, óleo, arestas afiadas ou peças móveis. Fios danificados ou presos aumentam o risco de choque electric.
- **Evite o contacto do corpo com superfícies ligadas à terra, tais como tubos, radiadores, bases e frigoríficos.** Existe um risco acrescido de choque eléctrico se o seu corpo estiver ligado à terra.
- **Quando estiver a trabalhar com uma ferramenta eléctrica ao ar livre, utilize uma extensão adequada para a utilização no exterior.** A utilização de um fio adequado ao exterior reduz o risco de choque eléctrico.
- O carregador EGO pode carregar as baterias de ião e lítio da EGO listadas em baixo:

CARREGADOR	BATERIAS
CH5500E	BA1120E, BA1400, BA2240E, BA2240T, BA2242T, BA2800, BA3360, BA4200, BA1400T, BA2800T, BA4200T, BA5600T, BA6720T

REPARAÇÃO

- **A manutenção do seu carregador deverá ser sempre efetuada por pessoas qualificadas, utilizando apenas peças sobressalentes idênticas.** Tal irá assegurar que a segurança do carregador é mantida.
- **Quando fizer a manutenção de um carregador, utilize peças sobressalentes idênticas. Siga as instruções da secção Manutenção deste manual.** A utilização de peças não autorizadas ou o não cumprimento das instruções de Manutenção pode criar um risco de choque ou ferimentos.

■ REGRAS DE SEGURANÇA PARA O CARREGADOR

⚠ CUIDADO: Para reduzir o risco de choque elétrico ou danos no carregador e na bateria, carregue apenas baterias recarregáveis de ião e lítio indicadas especificamente na etiqueta do seu carregador. Outros tipos de baterias podem rebentear, provocando ferimentos em pessoas ou danos.

- Este aparelho não foi concebido para ser utilizado por pessoas (incluindo crianças) cujas capacidades físicas, sensoriais ou mentais se encontram reduzidas, ou por pessoas com falta de experiência ou conhecimento, a não ser que tenham sido devidamente acompanhadas e instruídas sobre a correcta utilização do aparelho, pela pessoa responsável pela sua segurança.
- **Antes de usar o carregador da bateria, leia todas as instruções e marcas de atenção neste manual, no carregador da bateria, na bateria e no produto que usa a bateria, para evitar uma má utilização dos produtos e possíveis lesões ou danos.**
- **Não use o carregador no exterior nem o exponha à humidade.** A entrada da água na máquina aumentará o risco de choque eléctrico.
- **Não manuseie o carregador, incluindo a ficha do carregador e os terminais com as mãos molhadas.**
- **A utilização de um acessório que não seja recomendado ou vendido pelo fabricante do carregador de baterias pode dar origem a incêndio, choque eléctrico ou lesões em pessoas.**
- **Recarregue apenas com o carregador especificado pelo fabricante.** Um carregador que seja adequado para um tipo de bateria pode criar um risco de incêndio quando usado com outra bateria.
- **Não abuse do fio ou do carregador.** Nunca use o fio para transportar o carregador. Não puxe pelo fio do carregador para retirar a ficha da tomada. Podem ocorrer danos no fio ou no carregador e dar origem a um choque electric. Substitua imediatamente fios danificados.
- **Certifique-se de que o fio se encontra num local onde não se possa tropeçar ou pisar e que não entre em contacto com extremidades afiadas ou peças móveis, nem seja exposto a danos ou tensão.** Isto reduz o risco de quedas acidentais, que podem causar lesões e danos no fio, o que pode depois dar origem a um choque eléctrico.
- **Mantenha o fio e o carregador afastados do calor, para evitar danos na estrutura ou nas peças internas.**
- **Não permita que gasolina, óleos, produtos à base de petróleo, etc., entrem em contacto com as peças de plástico.** Estes materiais contêm químicos que podem danificar, enfraquecer ou destruir os plásticos.

- **Não utilize o carregador com uma ficha ou fio danificados, o que pode causar um curto-circuito ou choque elétrico.** Se ficar danificado, o carregador deverá ser reparado ou substituído por um técnico de reparação autorizado do centro de reparação da EGO.
- **Não utilize o carregador se ele sofrer uma pancada forte, se for deixado cair ao chão ou se for danificado de outro modo.** Leve-o a um técnico de reparação autorizado para uma verificação elétrica para determinar se o carregador está a funcionar bem.
- **Não desmonte o carregador.** Leve-o a um centro de reparação autorizado quando for necessário ser afinado ou reparado. A montagem incorrecta pode dar origem ao risco de choques eléctricos ou fogo.
- **Desligue o carregador da tomada antes de efetuar qualquer limpeza ou manutenção, para reduzir o risco de choque elétrico.**
- **Desligue o carregador da alimentação quando não o utilizar.** Isto reduz o risco de choque eléctrico ou danos no carregador se caírem itens de metal na abertura. Também ajuda a evitar danos no carregador durante um pico de corrente.
- **Risco de choque elétrico.** Não toque na parte que não está isolada no conector de saída ou terminal da bateria que não está isolado.
- **Guarde estas instruções.** Consulte-as frequentemente e utilize-as para ensinar outros que queiram usar esta ferramenta. Se emprestar este aparelho, entregue também as instruções, para evitar uma má utilização do produto e possíveis lesões.

INSTRUÇÕES DE SEGURANÇA IMPORTANTES

- **Guarde estas instruções.** Este manual contém instruções importantes de funcionamento e de segurança para o carregador rápido de 56V CH5500E.
- **Antes de usar o carregador da bateria, leia todas as instruções e marcas de aviso no carregador, bateria e produto.**

⚠ AVISO: Durante a utilização de eletrodomésticos, devem ser sempre tomadas precauções básicas, como as que se seguem:

- Para reduzir o risco de lesões, é necessária uma estrita supervisão quando o aparelho é usado perto de crianças.
- Use apenas acessórios recomendados ou vendidos pelo fabricante.
- Não utilize no exterior.

- Para um aparelho portátil: Para reduzir o risco de choque eléctrico, não coloque o carregador dentro de água ou de outro líquido. Não coloque nem armazene o aparelho onde possa cair ou possa ser puxado para dentro de uma banheira ou lavatório.

⚠ CUIDADO: Para reduzir o risco de lesões, carregue apenas baterias recarregáveis de íão e lítio. Outros tipos de baterias podem rebentar, provocando ferimentos em pessoas ou danos.

ESPECIFICAÇÕES

Entrada do carregador	220-240 V~50 Hz, 550 W
Saída do carregador	5-8 A 56 V 
Tempo de carga rápido	Cerca de 25 minutos para a bateria BA1120E
	Cerca de 30 minutos para a bateria BA1400/BA2240E/BA1400T/BA2240T/BA2242T
	Cerca de 40 minutos para a bateria BA2800/BA2800T
	Cerca de 45 minutos para a bateria BA3360
	Cerca de 60 minutos para a bateria BA4200/BA4200T
	Cerca de 190 minutos para a bateria BAX1300
Temperatura de carregamento ideal	5 °C-40 °C
	Peso do carregador

DESCRIÇÃO

CONHEÇA O SEU CARREGADOR (Fig. A)

1. Ranhura de montagem
2. Entrada de ar de arrefecimento
3. Indicadores LED
4. Contactos eléctricos
5. Pega macia
6. Orifício de montagem na parede

FUNCIONAMENTO

COMO CARREGAR A BATERIA

AVISO: Não use o carregador no exterior nem o exponha à humidade. A entrada da água na máquina aumentará o risco de choque eléctrico.

AVISO: As baterias de ião e lítio saem de fábrica parcialmente carregadas. Antes de a usar pela primeira vez, carregue a bateria por completo.

1. Ligue o carregador à alimentação (220 -240 V~50 Hz). Os quatro LED de indicação de carga brilham brevemente a verde, indicando que o carregador está a funcionar corretamente.
2. Alinhe as abas levantadas da bateria/adaptador com as ranhuras de fixação no carregador. Faça deslizar a bateria/adaptador para o carregador (Fig. B).

AVISO: Se carregar a bateria BAX1300, ligue primeiro o adaptador à bateria.

3. O carregador irá comunicar com a bateria para avaliar a condição da bateria.
4. Quando a bateria estiver a carregar, os quatro LED de indicação de carga no carregador brilham a verde em sequência, da esquerda para a direita, para indicar o nível de carga. Consulte a Fig. C. O indicador da energia na bateria (BA1120E, BA1400, BA2240E, BA2800, BA3360, BA4200) pisca em sequência: Vermelho, cor-de-laranja e verde, ou o indicador de LCD ligado na bateria BAX1300 apresenta a capacidade numérica da carga. O último segmento do indicador com 5 LEDs na bateria pisca a verde. (Para BA1400T, BA2240T, BA2242T, BA2800T, BA4200T, BA5600T, BA6720T) A ventoinha no carregador funciona continuamente para arrefecer a bateria.

5. Quando a bateria estiver completamente carregada, os LED de indicação de carga param de acender alternadamente e permanecem ligados a verde. O indicador da energia na bateria desliga-se. Espere até que a ventoinha de arrefecimento pare, retire a bateria/adaptador do carregador e desligue o carregador da alimentação.
6. A bateria fi completamente carregada se for deixada no carregador, mas não fi sobrecarregada. Se a bateria (exceto BAX1300) permanecer no carregador durante mais de um mês, efectua a manutenção automática e desce para 30% da sua capacidade de carga. Se isto acontecer, volte a colocar a bateria no carregador para a recarregar por completo.

Fig. C descrição das peças apresentada abaixo:

C-1	LED 1	C-3	LED 3
C-2	LED 2	C-4	LED 4

AVISO:

- Um tempo de funcionamento que seja reduzido significativamente após um carregamento completo indica que a bateria está perto do fim do seu tempo de vida útil e que tem de ser substituída.
- O carregador pode aquecer durante a carga. Isso faz parte do funcionamento normal do carregador. Carregue numa área bem ventilada.

PT

FUNÇÕES LED DO CARREGADOR

Para BA1120E, BA1400, BA2240E, BA2800, BA3360, BA4200

PT

INDICADOR LED	BATERIA	LED LIGADO NO CARREGADOR				INDICADOR DE ENERGIA NA BATERIA	ENERGIA NA BATERIA	AÇÃO
		LED1	LED2	LED3	LED4			
	Com defeito	Pisca a vermelho ou desligado	Desligado	Desligado	Desligado	Desligado	—	A bateria ou o carregador estão defeituosos.
	Bateria fria/quente	Vermelho brilhante	Desligado	Desligado	Desligado	Desligado	—	A carga começa quando a bateria voltar a 3-57 °C
	A carregar	Pisca a verde	Desligado	Desligado	Desligado	A piscar a vermelho, cor-de-laranja e verde alternadamente	Menos de 25%	A carregar
		Brilha alternadamente a verde		Desligado	Desligado		25% a 50%	A carregar
		Brilha alternadamente a verde			Desligado		50% a 75%	A carregar
		Brilha alternadamente a verde					75% a 90%	A carregar
	Completamente carregado	Brilha continuamente a verde				Desligado	90% a 100%	Carga completa. Carga de manutenção.
—	Manutenção automática	Pisca rápida e intermitentemente a verde				Desligado	Cerca de 30%	A bateria está a efetuar a manutenção automática ou está no modo de suspensão. Volte a instalar a bateria no carregador para a carregar completamente.

Para BA1400T, BA2240T, BA2242T, BA2800T, BA4200T, BA5600T, BA6720T

INDICADOR LED	BATERIA	LED LIGADO NO CARREGADOR				INDICADOR COM 5 LEDS NA BATERIA	ENERGIA NA BATERIA	AÇÃO
		LED1	LED2	LED3	LED4			
 — — —	Com defeito	Pisca a vermelho ou desligado	Desligado	Desligado	Desligado	Desligado	—	A bateria ou o carregador estão defeituosos.
 —	Bateria fria/quente	Vermelho brilhante	Desligado	Desligado	Desligado	Desligado	—	A carga começa quando a bateria voltar a 3-57 °C (Para BBA1400T, BA2242T, BA2800T, BA4200T, BA5600T, BA6720T)/ 3°C- 50°C (Para BA2240T).
 — — —	A carregar	Pisca a verde	Desligado	Desligado	Desligado	O último segmento pisca a verde. O resto permanece a verde constante.	Menos de 25%	A carregar
		Brilha alternadamente a verde		Desligado	Desligado		25% a 50%	A carregar
		Brilha alternadamente a verde			Desligado		50% a 75%	A carregar
		Brilha alternadamente a verde					75% a 90%	A carregar
 —	Completamente carregado	Brilha continuamente a verde				Desligado	90% a 100%	Carga completa. Carga de manutenção.
—	Manutenção automática	Pisca rápida e intermitentemente a verde				Desligado	Cerca de 30%	A bateria está a efetuar a manutenção automática ou está no modo de suspensão. Volte a instalar a bateria no carregador para a carregar completamente.

PT

CARREGAR UMA BATERIA FRIA OU QUENTE

Se a bateria estiver fora da temperatura normal, o LED 1 brilha a vermelho. Quando a bateria arrefecer para cerca de 57 °C (42 °C para BAX1300, 50°C for BA2240T) ou aquecer mais de 3 °C, o carregador começa automaticamente a carregar e os 4 LED efetuam a sequência normalmente.

PT

BATERIA OU CARREGADOR DEFEITUOSOS

Se o carregador detetar um problema, o LED 1 começa a piscar a vermelho ou todos os LED desligam-se.

PARA CARREGAR BA1120E, BA1400, BA2240E, BA2242T, BA2800, BA3360, BA4200, BA1400T, BA2240T, BA2800T, BA4200T, BA5600T, BA6720T

1. Se for visto como um defeito, retire e volte a colocar a bateria no carregador. Se o LED continuar a analisar a situação como um “defeito”, tente carregar uma bateria diferente.
2. Se uma bateria diferente carregar normalmente, elimine a bateria defeituosa (consulte as instruções no manual da bateria).
3. Se uma bateria diferente também indicar “defeito”, desligue o carregador da alimentação e espere até que o LED 1 a piscar se desligue, depois volte a ligar a ficha na tomada. Se o LED 1 no carregador continuar a mostrar um defeito, o carregador pode ter um defeito.

PARA CARREGAR BAX1300

1. Se for visto como um defeito, retire e volte a ligar a bateria no carregador com o adaptador. Se o LED continuar a analisar a situação como um “defeito”, tente substituir por um novo adaptador ou carregar uma bateria diferente.
2. Se uma bateria ou carregador diferente carregar normalmente, elimine a bateria ou adaptador defeituoso (consulte as instruções no manual da bateria).
3. Se ao substituir a bateria e o adaptador também indicar “defeito”, desligue o carregador da alimentação e espere até que o LED 1 a piscar se desligue, depois volte a ligar a ficha na tomada. Se o LED 1 no carregador continuar a mostrar um defeito, o carregador pode ter um defeito.

ORIFÍCIOS DE MONTAGEM NA PAREDE

O carregador tem orifícios de fixação para uma arrumação conveniente (Fig. A-6). Instale os parafusos na parede com uma distância entre eles de 76 mm. Utilize parafusos suficientemente fortes para aguentarem o peso combinado do carregador e da bateria (um máximo de cerca de 4,1 kg).

MANUTENÇÃO

AVISO: Para evitar lesões pessoais sérias, retire sempre a bateria da ferramenta quando limpar ou efetuar qualquer manutenção.

AVISO: Quando fizer reparações, utilize apenas peças sobressalentes idênticas da EGO. A utilização de outras peças pode criar um perigo ou provocar danos no produto.

AVISO: Não recomendamos a utilização de ar comprimido seco como método de limpeza para o carregador. Se a limpeza com ar comprimido for o único método que pode utilizar, utilize sempre óculos de segurança com proteções laterais quando limpar o aparelho. Se o funcionamento fizer muito pó, utilize também uma máscara para o pó.

AVISO: Se o fio da alimentação ficar danificado, tem de ser substituído pelo fabricante, o seu agente reparador ou uma pessoa igualmente qualificada, de modo a evitar perigos.

MANUTENÇÃO GERAL

Evite usar solventes quando limpar peças de plástico. Grande parte dos plásticos é susceptível a danos devido a vários tipos de solventes comerciais. Use panos limpos para retirar a sujidade, pó, óleo, gordura, etc.

AVISO: Nunca permita que o líquido dos travões, gasolina, produtos à base de petróleo, óleos penetrantes, etc., entrem em contacto com as peças de plástico. Os químicos podem danificar, enfraquecer ou destruir o plástico, o que pode dar origem a lesões pessoais sérias.

AVISO: Quando fizer reparações, utilize apenas peças sobressalentes idênticas da EGO. A utilização de outras peças pode criar um perigo ou provocar danos no produto. Para assegurar a segurança e bom funcionamento, todas as reparações deverão ser efetuadas por um técnico de reparação num centro de reparação da EGO.

Proteção do ambiente



Não elimine o equipamento elétrico, o carregador da bateria e as baterias/ baterias recarregáveis juntamente com o lixo doméstico comum!

De acordo com a norma europeia 2002/19/UE, o equipamento elétrico e eletrónico que deixe de ser usado e de acordo com a norma europeia 2006/66/CE, as baterias gastas ou defeituosas têm de ser recolhidas em separado.

Se os equipamentos elétricos forem eliminados em aterros ou lixeiras, substâncias perigosas podem vaziar para os lençóis freáticos e entrar na cadeia de alimentação, danificando a sua saúde e bem-estar.

RESOLUÇÃO DE PROBLEMAS

PROBLEMA	CAUSA	SOLUÇÃO
O carregador não funciona. O LED 1 pisca a vermelho ou todos os LED se desligam.	A bateria, adaptador ou o carregador têm um defeito ou uma má ligação entre a bateria, adaptador e o carregador.	<ul style="list-style-type: none">■ Tente retirar e volte a colocar a bateria/adaptador no carregador.■ Tente retirar e voltar a ligar o adaptador à bateria (para BAX1300).■ Tente substituir o adaptador.■ Tente carregar uma bateria diferente.■ Desligue o carregador da alimentação e espere até que o LED vermelho se desligue, depois volte a ligar a ficha na tomada.
O carregador não funciona e o LED 1 brilha a vermelho.	A bateria está muito quente ou muito fria.	Deixe a bateria atingir a temperatura normal. A carga começa quando a bateria volta aos 3 °C-57 °C (42 °C para BAX1300, 3°C -50°C for BA2240T).

PT

GARANTIA

POLÍTICA DE GARANTIA EGO

Visite o website egopowerplus.com para os termos e condições completos da política de garantia da EGO.

LEGGERE TUTTE LE ISTRUZIONI!



LEGGERE IL MANUALE DI ISTRUZIONI

⚠️ Rischi residui! Le persone portatrici di dispositivi elettronici, ad esempio pacemaker, devono consultare il proprio medico prima di usare questo prodotto. L'utilizzo di apparecchi elettrici in prossimità di pacemaker cardiaci comporta il rischio di interferenze o malfunzionamento del pacemaker.

⚠️ AVVERTENZA! Per garantire sicurezza e affidabilità, tutte le riparazioni e sostituzioni devono essere eseguite da un tecnico qualificato.

⚠️ AVVERTENZA! Questo apparecchio può essere usato da bambini di età superiore a 8 anni e da persone con ridotte capacità fisiche, sensoriali o mentali o prive di esperienza o conoscenza, solo se supervisionati o istruiti sull'uso sicuro dell'apparecchio e se comprendono i rischi correlati. I bambini non devono giocare con l'apparecchio. Le operazioni di pulizia e manutenzione ordinaria non devono essere effettuate da bambini non supervisionati.

SIMBOLI DI SICUREZZA

Lo scopo dei simboli di sicurezza è attirare l'attenzione dell'operatore su possibili pericoli. I simboli di sicurezza e le relative spiegazioni richiedono la massima attenzione e comprensione da parte dell'operatore. Le avvertenze espresse dai simboli, da sole, non eliminano tutti i rischi. Le istruzioni e le avvertenze non sostituiscono le adeguate misure di prevenzione contro gli incidenti.

⚠️ AVVERTENZA! Accertarsi di aver letto e compreso tutte le istruzioni di sicurezza in questo manuale, inclusi tutti i simboli di avvertenza come "PERICOLO", "AVVERTENZA" e "ATTENZIONE", prima di usare questo apparecchio. Il mancato rispetto di tutte le istruzioni riportate di seguito comporta il rischio di scossa elettrica, incendio e/o lesioni gravi.

ISTRUZIONI DI SICUREZZA

Questa pagina illustra e descrive i simboli di sicurezza che possono comparire sul prodotto. Leggere, comprendere e seguire tutte le istruzioni sull'apparecchio prima di tentare di assemblarlo e ripararlo.

	Avvertenza di sicurezza	Precauzioni relative alla sicurezza dell'operatore
	Leggere il manuale di istruzioni	Per ridurre il rischio di infortunio, l'utente deve leggere il manuale di istruzioni.
	Uso in interni	Usare questo apparecchio esclusivamente in interni.
	Apparecchio di classe II	Apparecchio dotato di doppio isolamento.
T6,3A 	Fusibili	Fusibile ritardato miniaturizzato
	CE	Questo prodotto è conforme alle direttive europee applicabili.
	UKCA	Questo prodotto è conforme alla legislazione britannica pertinente.
	RAEE	I prodotti elettrici non devono essere smaltiti insieme ai rifiuti domestici. Portarli presso un centro di riciclaggio autorizzato.
V	Volt	Voltaggio
A	Ampere	Corrente
Hz	Hertz	Frequenza (cicli al secondo)
W	Watt	Potenza
min	Minuti	Tempo
	Corrente alternata	Tipo di corrente
	Corrente continua	Tipo o caratteristica della corrente

⚠️ AVVERTENZA! Leggere e comprendere tutte le istruzioni. Il mancato rispetto di tutte le istruzioni elencate di seguito comporta il rischio di scossa elettrica, incendio e/o lesioni gravi.

SICUREZZA DELL'AREA DI LAVORO

- **Mantenere l'area di lavoro pulita e ben illuminata.** Aree ingombre e ombreggiate favoriscono gli incidenti.

- **Non usare il caricabatteria EGO in atmosfere esplosive, ad esempio in presenza di liquidi, gas o polveri infiammabili.** I caricabatteria producono scintille suscettibili di dare fuoco a polveri o vapori.

SICUREZZA ELETTRICA

- **La spina dell'utensile elettrico deve essere adeguata alla presa in cui verrà inserita.** Non modificare la spina in alcun modo. Non usare adattatori con apparecchi messi a terra o a massa. Spine non modificate e prese adatte riducono il rischio di scossa elettrica.
- **Non esporre il caricabatteria a pioggia o condizioni di umidità.** La penetrazione di acqua all'interno del caricabatteria aumenta il rischio di scossa elettrica.
- **Non danneggiare il cavo di alimentazione.** Non usare mai il cavo per trasportare, tirare o scollegare l'apparecchio. Tenere il cavo al riparo da calore, olio, oggetti taglienti o parti in movimento. Cavi danneggiati o aggrovigliati aumentano il rischio di scossa elettrica.
- **Evitare il contatto del corpo con superfici che fungono da messa a terra o a massa, ad esempio tubi, radiatori, fornelli e frigoriferi.** Il rischio di scossa elettrica aumenta se il proprio corpo è messo a terra.
- **Durante l'uso di un utensile elettrico all'aperto, usare una prolunga progettata appositamente per ambienti esterni.** L'uso di un cavo adatto agli ambienti esterni riduce il rischio di scossa elettrica.
- Il caricabatteria EGO può ricaricare i gruppi batteria EGO agli ioni di litio elencati di seguito.

CARICABATTERIA	GRUPPI BATTERIA
CH5500E	BA1120E, BA1400, BA2240E, BA2240T, BA2242T, BA2800, BA3360, BA4200, BA1400T, BA2800T, BA4200T, BA5600T, BA6720T

RIPARAZIONI

- **Affidare la riparazione del caricabatteria a tecnici qualificati usando esclusivamente parti di ricambio identiche.** Ciò garantisce la sicurezza del caricabatteria.
- **Durante la riparazione del caricabatteria, usare esclusivamente parti di ricambio identiche. Seguire le istruzioni riportate alla sezione "Manutenzione" di questo manuale.** L'uso di parti

non autorizzate o il mancato rispetto delle istruzioni di manutenzione comportano il rischio di scossa elettrica o infortunio.

NORME DI SICUREZZA RELATIVE AL CARICABATTERIA

⚠ ATTENZIONE! Per ridurre il rischio di scossa elettrica ed evitare danni al caricabatteria e alla batteria, ricaricare esclusivamente le batterie ricaricabili agli ioni di litio specificamente riportate sulla targhetta del caricabatteria. Altri tipi di batterie sono suscettibili di esplodere, causando lesioni o danni.

- Questo apparecchio non deve essere usato da persone (bambini inclusi) con ridotte capacità fisiche, mentali o sensoriali o senza esperienza e conoscenza, a meno che non siano sorvegliate o siano state istruite sull'uso dell'apparecchio da una persona responsabile della loro sicurezza.
- **Prima di usare il caricabatteria, leggere tutte le istruzioni e le avvertenze riportate in questo manuale e sul caricabatteria, sulla batteria e sul prodotto in cui è installata la batteria per evitare l'uso improprio dei prodotti e il rischio di lesioni o danni.**
- **Non usare il caricabatteria in ambienti esterni e non esporlo a condizioni bagnate o umide.** La penetrazione di acqua all'interno del caricabatteria aumenta il rischio di scossa elettrica.
- **Non maneggiare il caricabatteria, inclusa la spina del caricabatteria, o i terminali del caricabatteria con le mani bagnate.**
- **L'uso di accessori non raccomandati o non commercializzati dal produttore del caricabatteria comporta il rischio di incendio, scossa elettrica o infortunio.**
- **Ricaricare la batteria esclusivamente con il caricabatteria specificato dal costruttore.** Un caricabatteria adatto a un tipo di gruppo batteria può comportare il rischio di incendio se usato con un altro gruppo batteria.
- **Non danneggiare il cavo di alimentazione o il caricabatteria.** Non usare mai il cavo per trasportare il caricabatteria. Non tirare il cavo del caricabatteria per scollegare la spina dalla presa di corrente per evitare danni al cavo o al caricabatteria e il conseguente rischio di scossa elettrica. Sostituire immediatamente i cavi danneggiati.
- **Disporre il cavo di alimentazione in modo tale che non sia calpestabile e che non possa entrare in contatto con bordi affilati o parti in movimento o essere soggetto a usura o**

- danneggiamenti, e accertarsi che le persone non possano inciamparvi.** Ciò ridurrà il rischio di cadute accidentali, che possono comportare lesioni personali e danni al cavo, e il conseguente rischio di scossa elettrica.
- **Tenere il cavo e il caricabatteria al riparo dal calore per evitare danni alle superfici esterne e ai componenti interni.**
 - **Impedire il contatto di benzina, oli, prodotti a base di petrolio, ecc. con le parti in plastica.** Tali materiali contengono sostanze chimiche suscettibili di danneggiare, indebolire o distruggere la plastica.
 - **Non usare il caricabatteria se il cavo di alimentazione o la spina sono danneggiati per evitare il rischio di corto circuito e scossa elettrica.** Se il caricabatteria è danneggiato, affidarne la riparazione o sostituzione a un tecnico autorizzato di un centro di assistenza EGO.
 - **Non usare il caricabatteria se ha subito forti urti o cadute o se è stato danneggiato in qualsiasi altro modo.** Portarlo presso un tecnico autorizzato affinché effettui un'ispezione elettrica per determinare se il caricabatteria è in buono stato operativo.
 - **Non disassemblare il caricabatteria.** Affidare eventuali riparazioni a un tecnico autorizzato. Un riassetto scorretto comporta il rischio di scossa elettrica o incendio.
 - **Scollegare il caricabatteria dalla presa di corrente prima di effettuare operazioni di pulizia o manutenzione per evitare il rischio di scossa elettrica.**
 - **Scollegare il caricabatteria dalla rete elettrica quando non è in uso.** Ciò ridurrà il rischio di scossa elettrica o di danni al caricabatteria in caso di caduta di oggetti metallici nelle aperture. Eviterà anche danni al caricabatteria in caso di sovratensione.
 - **Rischio di scossa elettrica.** Non toccare la porzione non isolata del connettore di uscita o il terminale non isolato della batteria.
 - **Conservare queste istruzioni.** Consultarle frequentemente e usarle per istruire gli altri utenti dell'apparecchio. Se si presta questo apparecchio ad altre persone, allegare anche queste istruzioni per evitare l'uso errato dell'apparecchio e il rischio di infortunio.

ISTRUZIONI DI SICUREZZA IMPORTANTI

- **Conservare queste istruzioni.** Questo manuale contiene importanti istruzioni di sicurezza e istruzioni per l'uso del caricabatteria rapido EGO 56V CH5500E.

- **Prima di usare il caricabatteria, leggere tutte le istruzioni e le avvertenze riportate sul caricabatteria, sulla batteria e sul prodotto in cui è installata la batteria.**

AVVERTENZA! Durante l'uso di apparecchi elettrici è necessario rispettare alcune elementari norme di sicurezza, tra cui le seguenti.

- Per ridurre il rischio di infortunio, è necessaria un'attenta supervisione quando l'apparecchio è in funzione in presenza di bambini.
- Usare esclusivamente accessori raccomandati o commercializzati dal costruttore.
- Non usare in ambienti esterni.
- Per apparecchi portatili - Per ridurre il rischio di scossa elettrica, non immergere il caricabatteria in acqua o altri liquidi. Non collocare o conservare l'apparecchio in luoghi da cui può cadere per terra, in una vasca o un lavello.

ATTENZIONE! Per ridurre il rischio di infortunio, ricaricare esclusivamente batterie ricaricabili agli ioni di litio. Altri tipi di batterie sono suscettibili di esplodere, causando lesioni o danni.

SPECIFICHE TECNICHE

Alimentazione	220-240 V~50 Hz, 550 W
Potenza in uscita	5-8 A 56 V 
Tempo di ricarica rapida	<p>Circa 25 minuti per il gruppo batteria BA1120E</p> <p>Circa 30 minuti per il gruppo batteria BA1400/BA2240E/BA1400T/BA2240T/BA2242T</p> <p>Circa 40 minuti per il gruppo batteria BA2800/BA2800T</p> <p>Circa 45 minuti per il gruppo batteria BA3360</p> <p>Circa 60 minuti per il gruppo batteria BA4200/BA4200T</p> <p>Circa 190 minuti per il gruppo batteria BAX1300</p> <p>Circa 70 minuti per il gruppo batteria BA5600T</p> <p>Circa 90 minuti per il gruppo batteria BA6720T</p>
Temperatura di ricarica ottimale	5 °C-40 °C
Peso del caricabatteria	1,9 kg

DESCRIZIONE

DESCRIZIONE DEL CARICABATTERIA (Fig. A)

1. Scanalatura di assemblaggio
2. Apertura di raffreddamento
3. Spie luminose
4. Contatti elettrici
5. Impugnatura morbida
6. Foro di fissaggio a muro

FUNZIONAMENTO

COME RICARICARE IL GRUPPO BATTERIA

⚠ AVVERTENZA! Non usare il caricabatteria in ambienti esterni e non esporlo a condizioni di pioggia o umidità. La penetrazione di acqua all'interno del caricabatteria aumenta il rischio di scossa elettrica.

ATTENZIONE! I gruppi batteria agli ioni di litio sono consegnati parzialmente in carica. Prima di usarli per la prima volta, ricaricare completamente il gruppo batteria.

1. Collegare il caricabatteria alla presa di corrente (220-240 V~ 50 Hz). Le quattro spie di carica si illumineranno brevemente di verde, a indicare che il caricabatteria funziona correttamente.
2. Allineare i rilievi sul gruppo batteria/adattatore con le scanalature di assemblaggio sul caricabatteria; far scorrere il gruppo batteria/adattatore sul caricabatteria (Fig. B).

ATTENZIONE! Per la ricarica del gruppo batteria BAX1300, collegare per primo l'adattatore alla batteria.

3. Il caricabatteria comunicherà con il gruppo batteria per valutare le condizioni della batteria.
4. Quando il gruppo batteria è sotto carica, le quattro spie sul caricabatteria si illumineranno di verde in sequenza, da sinistra a destra, per indicare il livello di carica; fare riferimento alla Fig. C.
La spia di carica sul gruppo batteria (BA1120E, BA1400, BA2240E, BA2800, BA3360, BA4200) lampeggerà in sequenza di rosso, arancione e verde; sul display LCD del gruppo batteria BAX1300 apparirà il livello di carica numerico. L'ultimo segmento dell'indicatore a 5 spie sul gruppo batteria lampeggerà di verde (Per BA1400T, BA2240T, BA2242T, BA2800T, BA4200T, BA5600T, BA6720)
La ventola del caricabatteria rimarrà in funzione continuativamente per raffreddare il gruppo batteria.
5. Quando il gruppo batteria è completamente carico, le spie verdi smetteranno di lampeggiare in sequenza e rimarranno accese. La spia di carica sul gruppo batteria si spognerà. Attendere che la

ventola di raffreddamento si arresti, rimuovere il gruppo batteria/adattatore dal caricabatteria e scollegare il caricabatteria dalla presa di corrente.

6. Il gruppo batteria si ricaricherà completamente se viene lasciato sul caricabatteria, ma non subirà sovraccarichi. Se il gruppo batteria (ad eccezione di BAX1300) rimane sul caricabatteria per più di un mese, entrerà in modalità di manutenzione automatica e si scaricherà fino al 30% della sua capacità. In tal caso, reinstallare il gruppo batteria sul caricabatteria per ricaricarla completamente.

Descrizione delle parti in Fig. C:

C-1	SPIA 1	C-3	SPIA 3
C-2	SPIA 2	C-4	SPIA 4

ATTENZIONE!

- Una riduzione significativa dell'autonomia del gruppo batteria dopo averlo caricato completamente indica che le batterie sono quasi al termine della loro vita utile e devono essere sostituite.
- Il caricabatteria può diventare caldo durante la ricarica. Ciò è parte del normale funzionamento del caricabatteria. Effettuare la ricarica in un'area ben ventilata.

IT

SIGNIFICATO DELLE SPIE LUMINOSE

Per BA1120E, BA1400, BA2240E, BA2800, BA3360, BA4200

SIMBOLO DELLA SPIA	GRUPPO BATTERIA	SPIA SUL CARICABATTERIA				SPIA DI CARICA SUL GRUPPO BATTERIA	LIVELLO DI CARICA DEL GRUPPO BATTERIA	AZIONE
		SPIA 1	SPIA 2	SPIA 3	SPIA 4			
	Difettoso	Rossa e lampeggiante o spenta	Spenta	Spenta	Spenta	Spenta	—	Il gruppo batteria o il caricabatteria è difettoso.
	Batteria troppo calda/fredda	Rossa fissa	Spenta	Spenta	Spenta	Spenta	—	La carica inizierà quando la temperatura del gruppo batteria sarà compresa tra 3°C e 57°C
	Sotto carica	Verde, lampeggiante	Spenta	Spenta	Spenta	Lampeggia in sequenza: rosso, arancione e verde	Inferiore a 25%	Sotto carica
		Verdi, accese alternativamente		Spenta	Spenta		Tra 25% e 50%	Sotto carica
		Verdi, accese alternativamente			Spenta		Tra 50% e 75%	Sotto carica
		Verdi, accese alternativamente					Tra 75% e 90%	Sotto carica
	Completamente carico	Verdi fisse				Spenta	Tra 90% e 100%	La ricarica è completata. Mantenimento della carica.
—	Manutenzione automatica	Verdi, lampeggiano rapidamente a intermittenza				Spenta	Circa 30%	Il gruppo batteria sta effettuando la manutenzione automatica o è in modalità di standby. Reinstallare il gruppo batteria sul caricabatteria per ricaricarla completamente.

Per BA1400T, BA2240T, BA2242T, BA2800T, BA4200T, BA5600T, BA6720

SIMBOLO DELLA SPIA	GRUPPO BATTERIA	SPIA SUL CARICABATTERIA				INDICATORE A 5 SPIE SUL GRUPPO BATTERIA	LIVELLO DI CARICA DEL GRUPPO BATTERIA	AZIONE
		SPIA 1	SPIA 2	SPIA 3	SPIA 4			
	Difettoso	Rossa e lampeggiante o spenta	Spenta	Spenta	Spenta	Spenta	—	Il gruppo batteria o il caricabatteria è difettoso.
	Batteria troppo calda/fredda	Rossa fissa	Spenta	Spenta	Spenta	Spenta	—	La carica inizierà quando la temperatura del gruppo batteria sarà compresa tra 3°C e 57°C (Per BA1400T, BA2242T, BA2800T, BA4200T, BA5600T, BA6720T)/3°C e 50°C(Per BA2240T).
	Sotto carica	Verde, lampeggiante	Spenta	Spenta	Spenta	Ultimo segmento lampeggiante di verde, il resto verde fisso	Inferiore a 25%	Sotto carica
		Verdi, accese alternativamente	Spenta	Spenta			Tra 25% e 50%	Sotto carica
		Verdi, accese alternativamente		Spenta			Tra 50% e 75%	Sotto carica
		Verdi, accese alternativamente					Tra 75% e 90%	Sotto carica
	Completamente carico	Verdi fisse				Spenta	Tra 90% e 100%	La ricarica è completata. Mantenimento della carica.
—	Manutenzione automatica	Verdi, lampeggiano rapidamente a intermittenza				Spenta	Circa 30%	Il gruppo batteria sta effettuando la manutenzione automatica o è in modalità di standby. Reinstallare il gruppo batteria sul caricabatteria per ricaricarla completamente.

IT

RICARICARE UN GRUPPO BATTERIA TROPPO CALDO/FREDDO

Se la temperatura del gruppo batteria è fuori dai valori ordinari, la spia 1 si illuminerà di rosso. Quando la temperatura del gruppo batteria scende a circa 57°C (42°C per BAX1300, 50°C for BA2240T) o sale oltre 3°C, il caricabatteria inizierà automaticamente la ricarica e le 4 spie si accenderanno normalmente in sequenza.

GRUPPO BATTERIA O CARICABATTERIA DIFETTOSO

Se il caricabatteria rileva un problema, la spia 1 inizierà a lampeggiare di rosso o tutte le spie si spegneranno.

BA1120E, BA1400, BA2240E, BA2242T, BA2800, BA3360, BA4200, BA1400T, BA2240T, BA2800T,

BA4200T, BA5600T, BA6720T

1. Se il caricabatteria rileva un problema, rimuovere il gruppo batteria e reinserirlo nel caricabatteria. Se le spie segnalano ancora la presenza di un problema, provare a ricaricare un altro gruppo batteria.
2. Se un altro gruppo batteria si ricarica normalmente, smaltire il gruppo batteria difettoso (fare riferimento alle istruzioni nel manuale del gruppo batteria).
3. Se le spie segnalano la presenza di un problema anche con un altro gruppo batteria, scollegare il caricabatteria dalla presa di corrente e attendere che la spia 1 lampeggiante si spenga, quindi ricollegare la spina alla presa di corrente. Se la spia 1 sul caricabatteria segnala ancora la presenza di un

problema, il caricabatteria potrebbe essere difettoso.

PER CARICARE BAX1300

1. Se il gruppo batteria viene rilevato difettoso, rimuoverlo e ricaricarlo con l'adattatore. Se le spie segnalano ancora la presenza di un problema, usare un nuovo adattatore o provare a ricaricare un altro gruppo batteria.
2. Se un altro adattatore o gruppo batteria si ricarica normalmente, smaltire l'adattatore o il gruppo batteria difettoso (fare riferimento alle istruzioni nel manuale del gruppo batteria).
3. Se le spie segnalano la presenza di un problema anche con un altro gruppo batteria e un altro adattatore, scollegare il caricabatteria e attendere che la spia 1 lampeggiante si spenga, quindi ricollegare la spina alla presa di corrente. Se la spia 1 sul caricabatteria segnala ancora la presenza di un problema, il caricabatteria potrebbe essere difettoso.

FORI DI FISSAGGIO A MURO

Il caricabatteria è dotato di fori per fissarlo comodamente a una parete (Fig. A-6). Installare le viti nel muro, a 76 mm di distanza l'una dall'altra. Usare viti sufficientemente robuste per sostenere il peso del caricabatteria e del gruppo batteria combinati (circa 4,1 kg max.).

MANUTENZIONE

AVVERTENZA! Per evitare lesioni gravi, rimuovere sempre il gruppo batteria dal caricabatteria prima delle operazioni di pulizia o manutenzione.

AVVERTENZA! Per la riparazione, usare esclusivamente parti di ricambio EGO identiche. L'uso di altri ricambi comporta situazioni pericolose o il rischio di danni all'apparecchio.

AVVERTENZA! Si raccomanda di non usare aria compressa come metodo di pulizia del caricabatteria. Se la pulizia tramite aria compressa è l'unico metodo disponibile, indossare sempre occhiali di sicurezza con protezioni laterali durante la pulizia del caricabatteria. Se l'ambiente è polveroso, indossare anche una maschera antipolvere.

AVVERTENZA! Per evitare ogni rischio, se il cavo di alimentazione è danneggiato deve essere sostituito dal costruttore, da un suo agente incaricato o da una persona qualificata.

MANUTENZIONE GENERALE

Evitare l'uso di solventi durante la pulizia delle parti in plastica. La maggior parte dei materiali plastici può essere danneggiata

da diversi tipi di solventi in commercio. Usare un panno pulito per rimuovere sporczia, polvere, olio, grasso, ecc.

AVVERTENZA! Impedire il contatto di liquido per freni, benzina, prodotti a base di petrolio, oli penetranti, ecc. con le parti in plastica. Le sostanze chimiche possono danneggiare, indebolire o distruggere la plastica, comportando il rischio di lesioni gravi.

AVVERTENZA! Per la riparazione, usare esclusivamente parti di ricambio EGO identiche. L'uso di altri ricambi comporta situazioni pericolose o il rischio di danni all'apparecchio. Per garantire sicurezza e affidabilità, tutte le riparazioni devono essere eseguite da un tecnico qualificato presso un centro di assistenza EGO.

Protezione dell'ambiente



Non smaltire gli apparecchi elettrici, caricabatteria e batterie/batterie ricaricabili insieme ai rifiuti indifferenziati!

Conformemente alle direttive europee 2012/19/EU e 2006/66/CE, i rifiuti di apparecchiature elettriche ed elettroniche, pile e accumulatori devono essere raccolti separatamente e smaltiti nel rispetto dell'ambiente.

Se gli apparecchi elettrici vengono smaltiti nelle discariche, le sostanze pericolose possono infiltrarsi nelle falde acquifere e contaminare la catena alimentare, con effetti dannosi sulla salute e il benessere.

RISOLUZIONE DEI PROBLEMI

PROBLEMA	CAUSA	SOLUZIONE
Il caricabatteria non funziona. La spia 1 lampeggia di rosso o tutte le spie sono spente.	Il gruppo batteria, l'adattatore o il caricabatteria è difettoso o la connessione tra il gruppo batteria, l'adattatore e il caricabatteria è errata..	<ul style="list-style-type: none">■ Provare a rimuovere il gruppo batteria/adattatore e reinserirlo nel caricabatteria.■ Provare a rimuovere e collegare l'adattatore al gruppo batteria (per BAX1300).■ Provare a sostituire l'adattatore.■ Provare a ricaricare un altro gruppo batteria.■ Scollegare il caricabatteria dalla presa di corrente e attendere che la spia rossa si spenga, quindi ricollegare la spina alla presa di corrente.
Il caricabatteria non funziona e la spia 1 è accesa e rossa.	Il gruppo batteria è troppo caldo o troppo freddo.	Attendere che il gruppo batteria raggiunga la temperatura operativa. La carica inizierà quando la temperatura del gruppo batteria tornerà a essere compresa tra 3°C e 57°C (42°C per BAX1300, 3°C -50°C for BA2240T).

IT

GARANZIA

CONDIZIONI DELLA GARANZIA EGO

Visitare il sito web egopowerplus.com per consultare le condizioni complete della garanzia EGO.

LEES ALLE INSTRUCTIES!



LEES DE GEBRUIKERSHANDLEIDING

⚠ Restrisico! Personen met elektronische apparaten, zoals pacemakers, moeten eerst hun art(sen) raadplegen voordat ze dit product mogen gebruiken. De werking van een elektrisch apparaat in de nabijheid van een pacemaker kan een storing of defect aan de pacemaker veroorzaken.

⚠ WAARSCHUWING: Laat alle reparaties uitvoeren door een vakbekwame reparateur om een continue veiligheid en betrouwbaarheid te waarborgen.

⚠ WAARSCHUWING: Dit apparaat kan gebruikt worden door kinderen van 8 jaar en ouder en personen met verminderde lichamelijke, sensorische of verstandelijke vermogens of gebrek aan ervaring en kennis als ze onder toezicht staan of worden geïnstrueerd over het veilige gebruik van het apparaat en als zij de gevaren begrijpen. Kinderen mogen niet met het apparaat spelen. Reiniging en onderhoud mag niet door kinderen zonder toezicht worden uitgevoerd.

VEILIGHEIDSSYMBOLEN

Het doel van de veiligheidssymbolen is om u te wijzen op mogelijke gevaren. Besteed daarom voldoende aandacht hieraan en begrijp de veiligheidssymbolen en bijbehorende uitleg. De symboolwaarschuwingen op zich elimineren geen enkel gevaar. De gegeven instructies en waarschuwingen gelden niet als vervanging voor gepaste voorzorgsmaatregelen tegen ongevallen.

⚠ WAARSCHUWING: Lees en begrijp alle veiligheidsinstructies die in deze gebruikershandleiding zijn vermeld, waaronder alle veiligheidssymbolen zoals "GEVAAR", "WAARSCHUWING", en "OPGELET" voordat u dit apparaat in gebruik neemt. Het negeren van onderstaande instructies kan leiden tot elektrische schokken, brand en/of ernstig persoonlijk letsel.

VEILIGHEIDSVORSCHRIFTEN

Deze pagina toont en beschrijft alle veiligheidssymbolen die zich op dit product kunnen bevinden. Lees, begrijp en volg alle instructies op de machine voordat u deze in elkaar zet en gebruikt.

	Veiligheidswa- arschuwing	Voorzorgsmaatregelen voor uw veiligheid
	Lees de gebruikershandleiding	De gebruiker moet de gebruikershandleiding lezen om het risico op letsel te beperken.
	Gebruik binnenshuis	Gebruik dit apparaat alleen binnenshuis
	Klasse II constructie	Dubbel geïsoleerde constructie.
T6,3A 	Smeltpatronen	Miniatuur-smeltpatroon met vertraagde werking
	CE	Dit product is in overeenstemming met de EG-richtlijnen.
	UKCA	Dit product is in overeenstemming met de geldende wetgeving van het VK.
	WEEE	Gooi elektrisch afval niet via het huishoudelijk afval weg. Breng het naar een geautoriseerd recyclingbedrijf.
V	Volt	Spanning
A	Ampère	Stroom
Hz	Hertz	Frequentie (cycli per seconde)
W	Watt	Vermogen
min	Minuten	Tijd
	Wisselstroom	Stroomtype
	Gelijkstroom	Stroomtype of -karakteristiek

⚠ WAARSCHUWING: Lees en begrijp alle instructies. Het negeren van onderstaande instructies kan leiden tot elektrische schokken, brand en/of ernstig persoonlijk letsel.

VEILIGHEID OP DE WERKPLAATS

- **Houd de werkplaats schoon en goed verlicht.** Rommelige of donkere ruimten kunnen ongevallen veroorzaken.
- **Gebruik de EGO lader niet in een explosieve omgeving, zoals in de aanwezigheid van ontvlambare vloeistoffen, gassen of stof.** Een lader kan vonken creëren, deze kunnen stof of dampen in brand steken.

ELEKTRISCHE VEILIGHEID

- **De stekker van het elektrisch gereedschap**

NL

moet met het stopcontact overeenstemmen. Pas de stekker op geen enkele manier aan. Gebruik geen adapterstekker met geaard elektrisch gereedschap. Onaangepaste stekkers en overeenkomstige stopcontacten beperken het risico op elektrische schokken.

- **Stel de lader niet bloot aan regen of natte omstandigheden.** Water dat de lader binnendringt, vergroot het risico op elektrische schokken.
- **Gebruik het snoer niet op een verkeerde manier.** Gebruik het snoer nooit om de lader te dragen of mee te trekken of om de stekker uit het stopcontact te halen. Houd het snoer uit de buurt van hitte, olie, scherpe randen en bewegende onderdelen. Beschadigde of verstrikte snoeren vergroten het risico op elektrische schokken.
- **Vermijd lichamelijk contact met geaarde oppervlakken, zoals pijpleidingen, radiatoren, fornuizen of koelkasten.** Het risico op een elektrische schok is groter als uw lichaam geaard is.
- **Wanneer u een elektrisch gereedschap buitenshuis bedient, gebruik een verlengsnoer dat voor gebruik buitenshuis is geschikt.** Het gebruik van een snoer dat voor gebruik buitenshuis is geschikt verkleint het risico op elektrische schokken.
- De EGO lader is geschikt voor het laden van onderstaand vermelde EGO lithium-ion accupacks:

LADER	ACCUPACKS
CH5500E	BA1120E, BA1400, BA2240E, BA2240T, BA2242T, BA2800, BA3360, BA4200, BA1400T, BA2800T, BA4200T, BA5600T, BA6720T

SERVICE

- **Laat uw lader repareren door een gekwalificeerd persoon en alleen met identieke reserveonderdelen.** Dit waarborgt de veiligheid van de lader.
- **Bij reparatie van de lader, gebruik uitsluitend identieke reserveonderdelen. Volg de instructies in het hoofdstuk "Onderhoud" in deze handleiding.** Het gebruik van ongeoorloofde onderdelen of het negeren van de onderhoudsinstructies kan risico op schokken of letsel veroorzaken.

VEILIGHEIDSVOORSCHRIFTEN VOOR LADERS

⚠ OPGELET: Om het risico op elektrische schokken of schade aan de lader en accu te beperken, laad alleen de lithium-ion oplaadbare accu's die op het label van uw lader zijn vermeld. Andere soorten accu's kunnen barsten en persoonlijk letsel of schade veroorzaken.

- Dit apparaat is niet bedoeld voor gebruikers (waaronder

kinderen) met beperkte fysieke, visuele of mentale mogelijkheden, of die een gebrek hebben aan ervaring en kennis, tenzij ze supervisie of instructies hebben gekregen omtrent het gebruik van het apparaat door een persoon die verantwoordelijk is voor hun veiligheid.

- **Voordat u de acculader gebruikt,** lees alle instructies en waarschuwingen in deze handleiding en op de acculader, de accu en het product dat de accu gebruikt om verkeerd gebruik van de producten en mogelijk letsel of schade te voorkomen.
- **Gebruik de lader niet buitenshuis of stel deze niet bloot aan natte of vochtige omstandigheden.** Water dat de lader binnendringt, vergroot het risico op elektrische schokken.
- **Raak de lader, waaronder de stekker of aansluitklemmen, niet met natte handen aan.**
- **Het gebruik van een opzetstuk dat niet door de fabrikant van de acculader wordt aanbevolen of verkocht kan een risico op brand, elektrische schok of letsel aan personen veroorzaken.**
- **Laad alleen op met de lader die door de fabrikant is gespecificeerd.** Een lader die geschikt is voor één type van accupack kan tot brandgevaar leiden wanneer gebruikt met een andere accupack.
- **Misbruik het snoer of de lader nooit.** Draag de lader nooit via het snoer. Trek niet aan het snoer om de stekker uit het stopcontact te halen. Dit kan schade aan het snoer of de lader, of gevaar op elektrische schokken met zich meebrengen. Vervang beschadigde snoeren onmiddellijk.
- **Zorg dat het snoer op een dergelijke wijze wordt gelegd zodat niemand er op kan stappen of over kan struikelen, het niet met scherpe randen of bewegende onderdelen in aanraking komt of het niet onderhevig wordt gesteld aan schade of overmatige spanning.** Dit beperkt het risico op ongewenst vallen, wat tot persoonlijk letsel, schade aan het snoer en eventuele elektrische schokken kan leiden.
- **Houd het snoer en de lader uit de buurt van warmte om schade aan de behuizing of de interne componenten te voorkomen.**
- **Laat geen benzine, oliën of producten op basis van aardolie, etc. met de kunststof onderdelen in aanraking komen.** Deze materialen bevatten chemicaliën die het kunststof kunnen beschadigen, verzwakken of vernietigen.
- **Gebruik de lader niet met een beschadigd snoer of stekker, dit kan kortsluiting of elektrische schokken veroorzaken.** Indien beschadigd, laad de lader repareren of vervangen door een bekwame reparateur van een EGO servicecentrum.
- **Gebruik de lader niet als deze een harde klap heeft gehad, is gevallen of op enige andere**

wijze is beschadigd. Breng de lader naar een bevoegde reparateur voor een elektrische controle om te bepalen of de lader nog gebruikt kan worden.

- **Haal de lader niet uit elkaar.** Breng de lader naar een bevoegde reparateur wanneer onderhoud of reparatie noodzakelijk is. Een verkeerde hernieuwde montage kan leiden tot gevaar op elektrische schokken of brand.
- **Haal de stekker uit het stopcontact alvorens de lader te onderhouden of te reinigen, dit beperkt het risico op elektrische schokken.**
- **Haal de stekker uit het stopcontact wanneer u de lader niet gebruikt.** Dit beperkt het risico op elektrische schokken of schade aan de laders in geval er metalen voorwerpen in de opening terecht komen. Dit voorkomt tevens schade aan de lader bij een plotselinge piekspanning.
- **Risico op elektrische schokken.** Raak het ongeïsoleerd gedeelte van de uitgangsaansluiting of de ongeïsoleerde aansluitklem van de accu niet aan.
- **Bewaar deze handleiding.** Raadpleeg de gebruikershandleiding indien nodig en gebruik deze om andere personen die dit apparaat zullen gebruiken te onderrichten. Al u dit gereedschap aan iemand anders geeft, doe dan tevens deze gebruiksaanwijzing erbij om verkeerd gebruik en mogelijk letsel te voorkomen.

BELANGRIJKE VEILIGHEIDSINSTRUCTIES

- **Bewaar deze handleiding.** Deze handleiding bevat belangrijke veiligheids- en gebruiksinstructies voor de 56V Snellader CH5500E.
- **Voordat u de lader gebruikt, lees alle instructies en waarschuwingen op de acculader, accu en het product dat de accu gebruikt.**

⚠ WAARSCHUWING: Als een elektrisch apparaat wordt gebruikt, volg altijd de basis veiligheidsmaatregelen, waaronder de volgende:

- Om het risico op letsel te beperken, houd toezicht op het apparaat wanneer het in de buurt van kinderen wordt gebruikt.
- Gebruik alleen toebehoren dat door de fabrikant van het product is aanbevolen of wordt verkocht.
- Gebruik het apparaat niet buitenshuis.
- Voor een draagbaar apparaat - Om het risico op elektrische schokken te beperken, dompel de lader niet in water of een andere vloeistof. Plaats of berg het apparaat niet op waar het in een badkuip of lavabo kan vallen.

⚠ OPGELET: Om het risico op letsel te beperken, laad alleen lithium-ion oplaadbare accu's. Andere soorten accu's kunnen barsten en persoonlijk letsel of schade veroorzaken.

SPECIFICATIES

52

56 VOLT SNELLADER — CH5500E

Invoer lader	220-240 V~50 Hz, 550 W
Uitvoer lader	5-8 A 56 V 
Snelle laadtijd	Circa 25 minuten voor BA1120E accupack Circa 30 minuten voor BA1400 /BA2240E/ BA1400T/BA2240/ BA2242T Taccupack Circa 40 minuten voor BA2800/BA2800T accupack Circa 45 minuten voor BA3360 accupack Circa 60 minuten voor BA4200 / BA4200Taccupack Circa 190 minuten voor BAX1300 accupack Circa 70 minuten voor BA5600T accupack Circa 90 minuten voor BA6720T accupack
	Optimale laadtemperatuur
Gewicht lader	1,9 kg

BESCHRIJVING

KEN UW LADER (afb. A)

1. Montagegleuf
2. Ventilatieopening
3. LED-indicatielampjes
4. Elektrische contacten
5. Soft grip
6. Gat voor wandmontage

WERKING

HOE HET ACCUPACK LADEN

⚠ WAARSCHUWING: Gebruik de lader niet buitenshuis of stel deze niet bloot aan natte of vochtige omstandigheden. Water dat de lader binnendringt, vergroot het risico op elektrische schokken.

MEDEDELING: Lithium-ion accupacks worden reeds gedeeltelijk geladen geleverd. Laad het accupack volledig op voordat u het voor het eerst in gebruik neemt.

1. Sluit de lader aan op de netvoeding (220-240V~ 50Hz). De vier laad-LED's branden kortstondig groen om aan te geven dat de lader juist werkt.
2. Breng de uitstekende ribben van het accupack/de adapter

op één lijn met de montagegleuven in de lader; schuif het accupack/de adapter omlaag op de lader (afb. B).

OPMERKING: Als u de BAX1300 accupack laadt, dient u eerst de adapter op de accu aan te sluiten.

- De lader communiceert met het accupack om de toestand van het accupack te beoordelen.
- Als het accupack bezig met laden is, branden de vier laad-LED's op de lader opeenvolgend van links naar rechts groen om het laadniveau aan te geven, zie afb. C. De stroomindicator op het accupack (BA1120E, BA1400, BA2240E, BA2800, BA3360, BA4200) knippert met de volgorde: rood, oranje en groen, of de LED-stroomindicator op het BAX1300 accupack toont de numerieke laadcapaciteit. Het laatste gedeelte van de 5-led indicator op het accupack zal groen knipperen (Voor BBA1400T, BA2240T, BA2242T, BA2800T, BA4200T, BA5600T, BA6720T). De ventilator in de lader werkt continu om het accupack af te koelen.
- De laad-LED's stoppen met knipperen en branden continu groen eenmaal het accupack volledig is geladen. Het stroomindicator op het accupack dooft. Wacht totdat de ventilator tot stilstand is gekomen,

verwijder het accupack/de adapter uit de lader en trek de stekker uit het stopcontact.

- Het accupack zal volledig worden geladen wanneer het met de lader verbonden blijft, maar zal niet overladen worden. Als het accupack (behalve BAX1300) gedurende één maand of langer met de lader verbonden blijft, zal het een zelfonderhoud uitvoeren waardoor het laadvermogen op 30% wordt teruggebracht. Als dit optreedt, installeer het accupack opnieuw op de lader om volledig te laden.

Afb. C beschrijving van de onderdelen zie beneden:

C-1	LED 1	C-3	LED 3
C-2	LED 2	C-4	LED 4

NL

OPMERKING:

- Een aanzienlijk kortere werkingstijd nadat het accupack volledig is geladen geeft aan dat het accupack het einde van zijn levensduur heeft bereikt en vervangen moet worden.
- De lader kan tijdens het laden warm worden. Dit is normaal tijdens de werking van de lader. Laad in een goed geventileerde ruimte.

LED-FUNCTIES VAN DE LADER

Voor BA1120E, BA1400, BA2240E, BA2800, BA3360, BA4200

LED-INDICATIELAMPJE	ACCUPACK	LED OP DE LADER				INDICATIELAMPJE OP HET ACCUPACK	VERMOGEN ACCUPACK	ACTIE
		LED1	LED2	LED3	LED4			
	Defect	Knippert rood of uit	Uit	Uit	Uit	Uit	—	Accupack of lader is defect
	Koude/warme accu	Rood brandend	Uit	Uit	Uit	Uit	—	Laden start wanneer accupack terugkeert naar 3°C-57°C
	Bezig met laden	Groen knipperend	Uit	Uit	Uit	Knipperend rood, oranje en groen; afwisselend	Minder dan 25%	Bezig met laden
		Afwisselend groen brandend	Uit	Uit			25% tot 50%	Bezig met laden
		Afwisselend groen brandend		Uit			50% tot 75%	Bezig met laden
		Afwisselend groen brandend					75% tot 90%	Bezig met laden
	Volledig geladen	Continu groen brandend				Uit	90% tot 100%	Laden is afgesloten. Onderhoudslading.
—	Zelfonderhoud	Ononderbroken snel groen knipperend				Uit	Ong. 30%	Accupack voert zelfonderhoud uit of is in de slaapmodus. Installeer het accupack opnieuw op de lader om volledig te laden.

Voor BA1400T, BA2240T, BA2242T, BA2800T, BA4200T, BA5600T, BA6720T

LED-INDICATIELAMPJE	ACCU-PACK	LED OP DE LADER				5-LED INDICATOR OP HET ACCUPACK	VERMOGEN ACCUPACK	ACTIE
		LED1	LED2	LED3	LED4			
	Defect	Knippert rood of uit	Uit	Uit	Uit	Uit	—	Accupack of lader is defect
	Koude/warme accu	Rood brandend	Uit	Uit	Uit	Uit	—	Laden start wanneer accupack terugkeert naar 3°C-57°C (Voor BA1400T, BA2242T, BA2800T, BA4200T, BA5600T, BA6720T)/3°C-50°C(Voor BA2240T).
	Bezig met laden	Groen knipperend	Uit	Uit	Uit	Het laatste gedeelte knippert groen, de rest is permanent groen	Minder dan 25%	Bezig met laden
		Afwisselend groen brandend		Uit	Uit		25% tot 50%	Bezig met laden
		Afwisselend groen brandend			Uit		50% tot 75%	Bezig met laden
		Afwisselend groen brandend					75% tot 90%	Bezig met laden
	Volledig geladen	Continu groen brandend				Uit	90% tot 100%	Laden is afgesloten. Onderhoudslading.
—	Zelfonderhoud	Ononderbroken snel groen knipperend				Uit	Ong. 30%	Accupack voert zelfonderhoud uit of is in de slaapmodus. Installeer het accupack opnieuw op de lader om volledig te laden.

EEN WARM OF KOUD ACCUPACK LADEN

Als het accupack zich buiten het normaal temperatuurbereik bevindt, brandt de LED1 rood. Als het accupack afkoelt tot circa 57°C (42°C voor BAX1300, 50°C for BA2240T) of opwarmt tot meer dan 3°C begint de lader automatisch met laden en branden de 4 LED's na elkaar.

DEFECTE ACCUPACK OF LADER

Als de lader een probleem detecteert, begint LED1 rood te knipperen en doven alle andere LED's.

OM BA1120E, BA1400, BA2240E, BA2242T, BA2800, BA3360, BA4200, BA1400T, BA2240T, BA2800T, BA4200T, BA5600T, BA6720T TE BETALEN

1. Als een defect wordt geregistreerd, verwijder het accupack uit de lader en plaats vervolgens terug. Als de LEDs een tweede maal "defect" aangeven, laad

een andere accupack.

2. Als het andere accupack normaal laadt, gooi het defecte accupack weg (zie de instructies in de handleiding van het accupack).
3. Als het andere accupack tevens "defect" aangeeft, ontkoppel de lader en wacht totdat de knipperende LED1 dooft, steek de stekker vervolgens opnieuw in een stopcontact. Als de LED1 op de lader nog steeds defect aangeeft, is het mogelijk dat de lader defect is.

OM BAX1300 TE BETALEN

1. Als u een defect vaststelt, dient u het accupack en de later van de adapter te ontkoppelen en te verwijderen. Als de LED nog steeds "defect" toont bij de tweede keer, dient u de adapter te vervangen of een ander accupack te gebruiken.
2. Als een andere adapter of accupack normaal laadt, dient u de defecte adapter of accu af te voeren (zie de

instructies in de gebruiksaanwijzing van het accupack).

- Als u het accupack en de adapter tegelijk vervangt en desalniettemin "Defect" verschijnt, dient u de lader te ontkoppelen en te wachten totdat de knipperende LED1 dooft. Steek de stekker vervolgens opnieuw in een stopcontact. Als LED1 op de lader nog steeds defect aangeeft, kan de lader defect zijn.

GATEN VOOR WANDMONTAGE

De lader is voorzien van hanggaten voor een eenvoudige opslag (afb. A-6). Installeer schroeven in de wand op 76mm van elkaar. Gebruik schroeven die voldoende stevig zijn om het gecombineerd gewicht van de lader en het accupack te kunnen dragen (maximum circa 4,1 kg).

ONDERHOUD

WAARSCHUWING: Om ernstig persoonlijk letsel te voorkomen, haal het accupack altijd uit het gereedschap voor reiniging of onderhoud.

WAARSCHUWING: Bij reparatie mag u uitsluitend identieke EGO vervangende onderdelen gebruiken. Het gebruik van andere onderdelen kan gevaar opleveren of schade aan het product veroorzaken.

WAARSCHUWING: Het is aanbevolen om geen perslucht te gebruiken om de lader schoon te maken. Als het schoonmaken met perslucht echter de enige mogelijke manier is, draag altijd een veiligheidsscherm met zijdelingse schermen wanneer het gereedschap wordt schoongemaakt. Als deze handeling stof met zich meebrengt, dient u tevens een stofmasker te dragen.

WAARSCHUWING: Als het snoer is beschadigd, moet het worden vervangen door de fabrikant, zijn klantenservice of gelijksoortig geschoolde personen om gevaar te vermijden.

ALGEMEEN ONDERHOUD

Maak de kunststof onderdelen niet schoon met oplosmiddelen. De meeste kunststoffen kunnen worden beschadigd wanneer ze in contact komen met commerciële oplosmiddelen. Gebruik een schone doek voor het verwijderen van vuil, stof, olie, smeer, etc.

WAARSCHUWING: Zorg dat remvloeistoffen, benzine, producten op basis van aardolie, oliën, etc. op geen enkel moment met de kunststof onderdelen in aanraking komen. Chemicaliën kunnen de kunststof onderdelen beschadigen, verzwakken of vernietigen en ernstig persoonlijk letsel veroorzaken.

WAARSCHUWING: Bij reparatie mag u uitsluitend identieke EGO vervangende onderdelen gebruiken. Het gebruik van andere onderdelen kan gevaar opleveren of schade aan het product veroorzaken. Om een continue veiligheid en betrouwbaarheid te waarborgen, laat alle reparaties uitvoeren door een bekwame reparateur in een EGO servicecentrum.

Het milieu beschermen



Gooi geen elektrische apparaten, acculaders en accu's/oplaadbare batterijen met het huisafval weg!

Elektrische en elektronische apparaten, in overeenstemming met de Europese wet 2012/19/EG, en defecte of verbruikte accupacks/batterijen, in overeenstemming met 2006/66/EG, moeten afzonderlijk worden ingezameld.

Als elektrische apparaten op een stortterrein of vuilnisbelt terecht komen, kunnen gevaarlijke stoffen in het grondwater lekken en in de voedselketen komen wat schadelijk is voor uw gezondheid en welzijn.

NL

PROBLEEMOPLOSSING

NL

PROBLEEM	OORZAAK	OPLOSSING
De lader werkt niet. LED1 knippert rood of alle LEDs doven.	Accupack, adapter of lader is defect of er bestaat een slechte verbinding tussen accupack, adapter en lader.	<ul style="list-style-type: none">■ Probeer het accupack/de adapter te verwijderen en opnieuw aan te sluiten op de lader.■ Probeer de adapter te verwijderen en aan te sluiten op het accupack (voor BAX1300).■ Probeer de adapter te vervangen.■ Laad een andere accupack.■ Ontkoppel de lader en wacht totdat de rode LED dooft, steek de stekker vervolgens opnieuw in een stopcontact.
De lader werkt niet en de LED1 brandt rood.	Accupack is te warm of te koud.	Breng het accupack naar een normale temperatuur. Laden start wanneer accupack terugkeert naar 3°C-57°C (42°C voor BAX1300, 3°C -50°C for BA2240T).

GARANTIE

EGO GARANTIEBELEID

Bezoek alstublieft de website egopowerplus.com voor de volledige voorwaarden van het EGO garantiebeleid.

LÆS ALLE ANVISNINGER!



LÆS BRUGANVISNING

⚠ Særlig risiko! Folk med elektroniske anordninger, såsom pacemakere, bør spørge deres læge til råds, før de bruger dette produkt. Betjening af elektrisk udstyr i umiddelbar nærhed af en pacemaker kan forårsage forstyrrelser eller svigt af pacemakeren.

⚠ ADVARSEL: For at sikre sikkerhed og pålidelighed skal alle reparationer udføres af en kvalificeret servicetekniker.

⚠ ADVARSEL: Dette apparat kan bruges af børn i alderen fra 8 år og derover og personer med nedsatte fysiske, sensoriske eller mentale evner eller manglende erfaring og viden, hvis de er blevet vejledt eller instrueret i brugen af apparatet på en sikker måde og forstår farerne forbundet hermed. Børn må ikke lege med apparatet. Rengøring og brugervedligeholdelse må ikke foretages af børn uden opsyn.

SIKKERHEDSSYMBOLER

Formålet med sikkerhedssymboler er at gøre dig opmærksom på mulige farer. Du bør være meget opmærksom på sikkerhedssymbole og forklaringer til dem og lære at forstå dem. Symboladvarslere fjerner ikke i sig selv eventuelle farer. Anvisningerne og advarslerne er ingen erstatning for korrekte forebyggelsesforanstaltninger mod ulykker.

⚠ ADVARSEL: Sørg for at læse og forstå alle sikkerhedsanvisninger i denne brugsanvisning, inklusive alle sikkerhedssymboler, såsom "FARE", "ADVARSEL" og "FORSIGTIGHED", før du bruger dette værktøj. Hvis man ikke følger nedenstående anvisninger, kan det medføre elektrisk stød, brand og/eller alvorlig personskade.

SIKKERHEDSANVISNINGER

Denne side viser og beskriver sikkerhedssymboler, der kan forekomme på dette produkt. Læs, forstå, og følg alle anvisninger på apparatet, før du forsøger at samle og betjene det.

	Sikkerhedsvarsel	Forholdsregler omkring din sikkerhed
	Læs brugsanvisningen	For at reducere risikoen for skader, skal brugeren læse betjeningsvejledningen.
	Indendørs brug	Brug kun denne enhed indendørs
	Klasse II-konstruktion	Dobbeltisoleret konstruktion
	Sikringsindsatser	Mini-sikringsindsats med forsinkelse
	Det Eu-ropæiske Fællesskab	Dette produkt er i overensstemmelse med gældende EU-direktiver.
	UKCA	Dette produkt overholder gældende britisk lovgivning.
	WEEE	Affald fra elektriske pro-dukter bør ikke bortskaffes sammen med husholdningsaffald. Bring det til en godkendt genbrugsplads.
V	Volt	Spænding
A	Ampere	Strøm
Hz	Hertz	Frekvens (cyklusser pr. sekund)
W	Watt	Effekt
min	Minutter	Tid
	Vekselstrøm	Type spænding
	Jævnstrøm	Type af eller egenskab for strøm

DK

⚠ ADVARSEL: Læs og forstå alle anvisninger. Hvis du ikke følger alle anvisninger, der er anført nedenfor, kan det medføre elektrisk stød, brand og/eller alvorlig personskade.

SIKKERHED I ARBEJDSOMRÅDET

- **Hold arbejdsområdet rent og godt oplyst** Rodede eller uoplyste arbejdsområder inviterer til ulykker.
- **Brug ikke EGO-opladeren i eksplosive miljøer, såsom ved tilstedeværelse af brændbare væsker, gasser eller støv.** En oplader kan skabe en gnist, som kan antænde støv eller dampe.

ELEKTRISK SIKKERHED

- **Stik på elværktøj skal passe til stikkontakten.** Lav aldrig om på stikket på nogen måde. Brug

ikke adapterstik sammen med jordede elværktøjer. Uændrede stik, der passer til kontakterne, nedsætter risikoen for elektrisk stød.

- **Udsæt ikke opladeren for regn eller våde forhold.** Vand i opladeren øger risikoen for elektrisk stød.
- **Du må ikke mishandle ledningen.** Brug aldrig ledningen til at bære eller trække opladeren eller trække stikket ud. Hold ledningen væk fra varme, olie, skarpe kanter eller bevægelige dele. Beskadigede eller sammenfiltrede ledninger øger risikoen for elektrisk stød.
- **Undgå kropskontakt med jordforbundne overflader, såsom rør, radiatorer, komfurer og køleskabe.** Der er øget risiko for elektrisk stød, hvis din krop er jordforbundet.
- **Når et elværktøj benyttes udendørs, skal der bruges en forlængerledning til udendørs brug.** Brug af en forlængerledning til udendørs brug nedsætter risikoen for elektrisk stød.
- EGO-opladeren kan oplade de EGO-lithium-ion-batterier, der er anført nedenfor:

OPLADER	BATTERIPAKKER
CH5500E	BA1120E, BA1400, BA2240E, BA2240T, BA2242T, BA2800, BA3360, BA4200, BA1400T, BA2800T, BA4200T, BA5600T, BA6720T

SERVICE

- **Få din oplader serviceeret af en kvalificeret tekniker, og brug kun originale reservedele.** Dette vil sikre, at opladeren fortsat er sikker.
- **Ved service af en oplader må der kun bruges originale reservedele. Følg anvisningerne i afsnittet i denne manual om Vedligeholdelse.** Anvendelse af uautoriserede dele eller manglende overholdelse af vedligeholdelsesanvisningen kan give risiko for stød eller personskade.

SIKKERHEDSREGLER FOR OPLADER

⚠ FORSIGTIG: For at mindske risikoen for elektrisk stød eller beskadigelse af oplader og batteri, oplades kun de genopladelige lithium-ion-batterier, der er specifikt angivet i oplysningerne til din oplader. Andre typer batterier kan springe og forårsage personskade eller skade.

- Dette apparat er ikke beregnet til brug af personer (herunder børn) med nedsat fysisk, sensorisk eller psykisk funktionsevne, eller manglende erfaring og viden, medmindre de er blevet vejledt eller instrueret i brugen af apparatet af en person med ansvar for deres sikkerhed.
- **Før du bruger batteriopladeren,** skal du læse alle anvisninger og advarselsmarkeringer i denne vejledning og på batteriets oplader, batteriet og det produkt, som batteriet anvendes til, for at forhindre fejlbrug af produkter og mulige skader.
- **Brug ikke opladeren udendørs og udsæt den heller ikke våde eller fugtige betingelser.** Vand i opladeren øger risikoen for elektrisk stød.
- **Benyt ikke opladeren, herunder opladerstikket og opladerens poler med våde hænder.**
- **Anvendelse af et stykke tilbehør, der ikke anbefales eller sælges af fabrikanten af batterioplader, kan medføre risiko for brand, elektrisk stød eller personskade.**
- **Genoplad kun med den oplader, der er angivet af fabrikanten.** En oplader, der er velegnet til én type batteripakke, kan øge risikoen for brand, når den bruges med en anden batteripakke.
- **Mishandl ikke ledningen eller opladeren.** Brug aldrig ledningen til at bære opladeren i. Træk ikke i opladerens ledning for at trække stikket ud af en stikdåse. Skader på ledningen eller opladeren kan forekomme og skabe fare for elektrisk stød. Udskift straks beskadigede ledninger.
- **Sørg for, at ledningen er placeret således, at man ikke træder på den, falder over den, og at den går hen over skarpe kanter eller bevægelige dele, eller på anden måde udsættes for skade eller belastning.** Dette vil reducere risikoen for faldulykker, som kan forårsage personskader og skader på ledningen, som derefter kan resultere i elektrisk stød.
- **Hold ledningen og opladeren fra varme for at forhindre skader på hus eller indvendige dele.**
- **Lad ikke benzin, olier, oliebaseerede produkter, osv. komme i kontakt med plastdele.** Disse materialer indeholder kemikalier, der kan skade, svække eller ødelægge plast.
- **Brug ikke opladeren med beskadiget ledning eller stik, da det kan forårsage kortslutning og elektrisk stød.** Få opladeren repareret eller udskiftet på et EGO-servicecenter, hvis den er beskadiget.
- **Brug ikke opladeren, hvis den har fået et kraftigt slag, været tabt eller på anden måde er beskadiget.** Bring den til en autoriseret servicetekniker, der kan undersøge det elektriske system og afgøre, om opladeren er i orden.
- **Skil ikke opladeren.** Bring den til en autoriseret servicetekniker, når service eller reparation er påkrævet. Forkert genmontering kan resultere i risiko for elektrisk stød eller brand.
- **Tag opladeren ud af stikkontakten, før du forsøger at udføre vedligeholdelse eller rengøring, for at reducere risikoen for elektrisk stød.**
- **Afbryd opladeren ved strømforsyningen, når den ikke er i brug.** Dette vil mindske risikoen for elektrisk stød eller beskadigelse af opladeren, hvis metalgenstande skulle falde ind i åbningen. Det vil også hjælpe med at forhindre skader på opladeren under et strømstød.
- **Risiko for elektrisk stød.** Rør ikke ved den uisolerede del af udgangsstik eller uisolerede batteripol.
- **Gem disse anvisninger.** Brug dem ofte, og brug dem til at instruere andre, der skal bruge dette værktøj.

Hvis du låner nogen denne oplader, så lad dem få anvisningerne med, så de også undgår fejlbrug af produktet og mulig personskaade.

■ **VIGTIGE SIKKERHEDSANVISNINGER**

- **Gem disse anvisninger.** Denne vejledning indeholder vigtige sikkerheds- og betjeningsvejledninger til 56V Hurtigoplader CH5500E.
- **Før du bruger batteriopladeren, skal du læse alle instruktioner og advarende markeringer på batteriopladeren, batteriet og produktet, der benytter batteriet.**

⚠ ADVARSEL: Ved brug af elektriske apparater, bør grundlæggende forholdsregler altid følges, herunder følgende.

- For at reducere risikoen for skader, er det nødvendigt med nøje opsyn, når et apparat bruges i nærheden af børn.
- Brug kun tilbehør anbefalet eller solgt af fabrikanten.
- Brug den ikke udendørs.
- Ved et bærbart apparat - For at mindske risikoen for elektrisk stød må man ikke putte opladeren i vand eller anden væske. Stil eller opbevar ikke apparatet, hvor det kan falde eller blive trukket ind i en balje eller vask.

⚠ FORSIGTIG: For at mindske risikoen for skader, må der kun oplades genopladelige lithium-ion-batterier. Andre typer batterier kan springe og forårsage personskaade eller skade.

SPECIFIKATIONER

Opladerens indgang	220-240V~50Hz, 550W
Opladerens udgang	5-8A 56V
Tid for hurtigopladning	<p>Cirka 25 minutter til BA1120E batteripakke</p> <p>Cirka 30 minutter til BA1400/BA2240E/BA1400T/BA2240T/BA2242T batteripakke</p> <p>Cirka 40 minutter til BA2800/BA2800T batteripakke</p> <p>Cirka 45 minutter til BA3360 batteripakke</p> <p>Cirka 60 minutter til BA4200/BA4200T batteripakke</p> <p>Cirka 190 minutter til BAX1300 batteripakke</p> <p>Cirka 70 minutter til BA5600T batteripakke</p> <p>Cirka 90 minutter til BA6720T batteripakke</p>
Optimal opladningstemperatur	5°C-40°C
Opladerens vægt	1,9kg

BESKRIVELSE

KEND DIN OPLADER (fig. A)

1. monteringsrille
2. port til køleluft
3. LED-indikatorer
4. elektriske kontakter
5. blødt greb
6. hul til opsætning på væg

BETJENING

SÅDAN OPLADES BATTERIET

⚠ ADVARSEL: Brug ikke opladeren udendørs, og udsæt den heller ikke for våde eller fugtige betingelser. Vand i opladeren øger risikoen for elektrisk stød.

BEMÆRK: Lithium-Ion-batteripakker forsendes delvist opladte. Før du bruger den første gang, skal du oplade batteripakken helt.

1. Slut opladeren til strømforsyningen (220-240 ~, 50Hz). De fire LED-opladningsindikatorer vil kort skinne grønt, hvilket indikerer, at laderen fungerer korrekt.
2. Sørg for at rillerne på batteripakken/adapteren passer med monteringsrillerne i opladeren. Tryk batteripakken/adapteren ned på opladeren (fig. B).

BEMÆRK: Når BAX1300 batteripakken skal oplades, skal du først slutte adapteren til batteriet.

3. Opladeren vil kommunikere med batteripakken for at vurdere tilstanden af batteripakken.
4. Når batteripakken oplades, vil de fire LED-opladningsindikatorer på opladeren skinne grøn i rækkefølge, fra venstre til højre, for at angive ladeniveau; se venligst fig. C. Strømindikatoren på batteripakken (BA1120E, BA1400, BA2240E, BA2800, BA3360, BA4200) blinker i rækkefølgen: Rød, orange og grøn eller LCD-strømindikator på BAX1300 batteripakken viser opladningskapaciteten i tal. Det sidste segment af 5 LED-indikatoren på batteriet vil blinke grønt(Til BA1400T, BA2240T, BA2242T, BA2800T, BA4200T, BA5600T, BA6720T). Ventilatoren i opladeren kører, for at køle batteripakken ned.
5. Når batteripakken er fuldt opladet, vil LED-opladningsindikatorerne stoppe med at blinke og vil skinne kontinuerligt grønt. Lyset i strømindikatoren på batteripakken går ud. Vent indtil køleventilatoren stopper, tag batteripakken/adapter af opladeren og afbryd opladeren fra strømforsyningen.

DK

6. Batteripakken vil lade helt op, hvis den forbliver på opladeren, men den vil ikke blive overopladet. Hvis batteripakken (undtagen BAX1300) forbliver på opladeren i en måned eller mere, vil den udføre selvvedligeholdelse og falde til 30 % opladningskapacitet. Hvis dette sker, skal du sætte batteripakken på opladeren igen, for at genoplade den fuldt.

Fig. C beskrivelse af dele, se nedenfor:

C-1	LED 1	C-3	LED 3
C-2	LED 2	C-4	LED 4

BEMÆRK:

- Hvis driftstiden er faldet betydeligt efter fuld opladning af batteripakken, viser det, at batterierne er ved udløbet af deres anvendelsestid og skal udskiftes.
- Opladeren kan blive varm under opladningen. Dette er en del af opladerens normale drift. Oplad i et godt ventileret område.

DK OPLADERENS LED-FUNKTIONER

Til BA1120E, BA1400, BA2240E, BA2800, BA3360, BA4200

LED-INDIKATOR	BATTERIPAKKE	LED PÅ OPLADEREN				STRØMINDIKATOR PÅ BATTERIPAKKEN	BATTERYPAKKENS EFFEKT	HANDLING
		LED1	LED2	LED3	LED4			
	Defekt	Blinker rødt eller slukket	Slukket	Slukket	Slukket	Slukket	—	Batteripakke eller oplader er defekt.
	Koldt / varmt batteri	Lyser rødt	Slukket	Slukket	Slukket	Slukket	—	Opladningen begynder, når batteripakken vender tilbage til 3 °C-57 °C
	Oplader	Blinker grønt	Slukket	Slukket	Slukket	Sidste segment blinker grønt, resten fast grønt	Mindre end 25 %	Oplader
		Lyser grønt skiftevis		Slukket	Slukket		25 % til 50 %	Oplader
		Lyser grønt skiftevis			Slukket		50 % til 75 %	Oplader
		Lyser grønt skiftevis					75 % til 90 %	Oplader
	Fuldt opladet	Lyser grønt kontinuerligt				Off	90 % til 100 %	Opladningen er færdig. Vedligeholdelsesladning.
—	Selvvedligeholdelse	Sporadiske hurtige grønne blink				Off	Ca. 30 %	Batteripakken udfører selvvedligeholdelse eller er i dvaletilstand. Geninstaller batteripakken på opladeren for at genoplade den helt.

Til BA1400T, BA2240T, BA2242T, BA2800T, BA4200T, BA5600T, BA6720T

LED-INDIKATOR	BATTERIPAKKE	LED PÅ OPLADEREN				5 LED-INDIKATORER PÅ BATTERIPAKKEN	BATTERYPAKKENS EFFEKT	HANDLING
		LED1	LED2	LED3	LED4			
	Defekt	Blinker rødt eller slukket	Slukket	Slukket	Slukket	Slukket	—	Batteripakke eller oplader er defekt.
	Koldt / varmt batteri	Lyser rødt	Slukket	Slukket	Slukket	Slukket	—	Opladningen begynder, når batteripakken vender tilbage til 3°C-57°C (Til BA1400T, BA2242T, BA2800T, BA4200T, BA5600T, BA6720T)/3°C-50°C(Til BA2240T).
	Oplader	Blinker grønt	Slukket	Slukket	Slukket	Sidste segment blinker grønt, resten fast grønt	Mindre end 25 %	Oplader
		Lyser grønt skiftevis		Slukket	Slukket		25 % til 50 %	Oplader
		Lyser grønt skiftevis			Slukket		50 % til 75 %	Oplader
		Lyser grønt skiftevis					75 % til 90 %	Oplader
	Fuldt opladet	Lyser grønt kontinuerligt				Off	90 % til 100 %	Opladningen er færdig. Vedligeholdelsesladning.
—	Selvvedligeholdelse	Sporadiske hurtige grønne blink				Off	Ca. 30 %	Batteripakken udfører selvvedligeholdelse eller er i dvaletilstand. Geninstaller batteripakken på opladeren for at genoplade den helt.

DK

OPLADNING AF EN VARM ELLER KOLD BATTERIPAKKE

Hvis batteriet er ude af det normale temperaturområde, vil LED1 skinne rødt. Når batteriet er kølet ned til ca. 57°C (42°C på BAX1300, 50°C for BA2240T) eller varmer op til mere end 3 °C, vil opladeren automatisk starte opladningen og de 4 LED'er vil skifte normalt.

DEFEKT BATTERIPAKKE ELLER OPLADER

Hvis opladeren registrerer et problem, vil LED1 begynde at blinke rødt, eller alle lysdioder vil slukke.

AT BILLEDE BA1120E, BA1400, BA2240E, BA2242T,BA2800, BA3360, BA4200, BA1400T, BA2240T, BA2800T, BA4200T, BA5600T, BA6720T

1. Hvis den registreres som defekt, fjern og genindsæt batteriet i opladeren. Hvis lysdioderne stadig viser „defekt“, prøv at oplade en anden batteripakke.
2. Hvis en anden batteripakke lader normalt, bortskaff den defekte batteripakke (se instruktionerne i vejledningen til batteripakken).
3. Hvis en anden batteripakke også viser „defekt“, skal du afbryde opladeren og vente, indtil den blinkende

LED1 går ud, så tilslut stikket til strømforsyningen igen. Hvis LED1 på opladeren stadig viser defekt, kan opladningen være fejlbehæftet.

AT BILLEDE BAX1300

1. Hvis et fejl opstår, skal du tage batteripakken og opladeren af og slutte den til igen med adapteren. Hvis lysindikatorerne stadig viser "fejl" den anden gang, skal du prøve at skifte til en ny adapter eller skift til en anden batteripakke.
2. Hvis den anden adapter eller batteripakke oplades normalt, bedes du afskaffe den defekte adapter eller batteripakke (se instruktionerne i vejledningen til batteripakken).
3. Hvis du skifter batteripakken og adapteren, og indikatorerne stadig viser "defekt", skal du afbryde opladeren og vent indtil lyset i den blinkende LED1-indikator går ud. Slut derefter stikket til strømforsyningen igen. Hvis LED1-indikatoren på opladeren stadig viser defekt, kan opladningen være defekt.

HULLER TIL MONTERING PÅ VÆG

Opladeren har huller ophængning, så den er praktisk at opbevare (fig. A-6). Sæt skruerne i væggen med en afstand 76 mm. Brug skruer, der er kraftige nok til at holde den samlede vægt af opladeren og batteripakken (maksimalt ca. 4,1 kg).

VEDLIGEHOLDELSE

⚠ ADVARSEL: For at undgå alvorlig personskade, skal batteriet altid fjernes fra batteripakken ved rengøring eller under vedligeholdelse.

⚠ ADVARSEL: Ved service må der kun bruges originale reservedele fra EGO. Brug af andre reservedele kan forårsage fare eller forårsage skader på produktet.

⚠ ADVARSEL: Det anbefales ikke at bruge komprimeret tør luft til at rengøre opladeren med. Hvis rengøring med trykluft er den eneste anvendelige metode, så bær altid beskyttelsesbriller eller sikkerhedsbriller med sidebeskyttelse ved rengøring af værktøjet. Hvis arbejdet er støvet, bæres også støvmaske.

⚠ ADVARSEL: Hvis elledningen er beskadiget, skal den udskiftes af fabrikanten, dennes servicerepræsentant eller en tilsvarende kvalificeret fagmand for at undgå enhver risiko.

ALMINDELIG VEDLIGEHOLDELSE

Undgå at bruge opløsningsmidler ved rengøring af plastdele.

De fleste plastmaterialer risikerer at blive ødelagt ved brug af forskellige typer af alment tilgængelige opløsningsmidler. Brug rene klude til at fjerne snavs, støv, olie, fedt osv.

⚠ ADVARSEL: Lad aldrig bremsevæske, benzin, oliebaseerede produkter, indtrængende olier osv. komme i kontakt med plastdele. Kemikalier kan beskadige, svække eller ødelægge plast, hvilket kan resultere i alvorlig personskade.

⚠ ADVARSEL: Ved service må der kun bruges originale reservedele fra EGO. Brug af andre reservedele kan forårsage fare eller forårsage skader på produktet. For at sikre sikkerhed og pålidelighed, bør alle reparationer udføres af en kvalificeret servicetekniker på et EGO-servicecenter.

Beskyttelse af miljøet



Smid ikke elektrisk udstyr, batterioplader og batterier / genopladelige batterier i affaldsspanden!

Ifølge EU-direktiv 2012/19/EU og EU-direktiv 2006/66/EF skal henholdsvis elektrisk og elektronisk udstyr, der ikke længere er brugbart, og defekte eller brugte batterier / batteripakker indsamles særskilt.

Hvis elektriske apparater smides på lossepladsen eller affaldsdeponier kan der sive giftige stoffer ned i grundvandet og komme ud i fødekæden og gøre skade på menneskers sundhed og velfærd.

FEJLFINDING

PROBLEM	ÅRSAG	LØSNING
Oplader virker ikke. LED1 blinker rødt, eller alle lysdioder går ud.	Batteripakken, adapteren eller opladeren er defekt, eller der er en dårlig forbindelse mellem batteripakken, adapteren og opladeren.	<ul style="list-style-type: none">■ Prøv at tage batteripakken/adapteren ud af opladeren, og sætte dem i igen.■ Prøv at afbryde og tilslutte adapteren til batteripakken igen (på BAX1300).■ Prøv at skifte adapteren.■ Prøv at oplade en anden batteripakke.■ Tag opladerens stik ud, og vent, indtil den røde lysdiode går ud, sæt derefter stikket i stikkontakten.
Oplader virker ikke, og LED1 lyser rødt.	Batteripakken er for varm eller for kold.	Lad batteriet opnå normal temperatur. Opladningen begynder, når batteripakken vender tilbage til 3 °C-57 °C (42°C på BAX1300, 3°C -50°C for BA2240T).

DK

GARANTI

EGO's GARANTIPOLITIK

Besøg venligst hjemmesiden egopowerplus.com for fuldstændige vilkår og betingelser for EGO's garantipolitik.

LÄS IGENOM ALLA INSTRUKTIONER!



LÄS IGENOM BRUKSANVISNINGEN

⚠ Kvarstående risker! Personer med elektroniska enheter som t.ex. pacemakers, bör rådgöra med sin läkare innan denna produkt används. Användning av elektronisk utrustning i närheten av en pacemaker kan orsaka störningar eller fel på pacemakern.

⚠ WARNING! För att garantera en säker och pålitlig användning måste alla reparationer utföras av en kvalificerad servicetekniker.

SE

⚠ WARNING! Barn fr o m 8 år och personer med nedsatt fysisk, sensorisk eller mental förmåga eller med bristande erfarenhet och kunskaper får använda denna enhet endast om de hålls under uppsyn eller har instruerats om säker användning av enheten och förstår medföljande risker. Barn får aldrig leka med enheten. Barn får aldrig rengöra enheten och utföra underhåll utan uppsyn.

SÄKERHETSSYMBOLER

Syftet med säkerhetssymboler är att fästa din uppmärksamhet på eventuella risker. Säkerhetssymbolerna och deras betydelser bör uppmärksammas noga och förstås. Själva varningssymboler kan dock inte förebygga någon fara. Instruktioner och varningar som de hänvisar till kan aldrig ersätta lämpliga olycksförebyggande åtgärder.

⚠ WARNING: Se till att läsa igenom och förstå alla säkerhetsinstruktioner i bruksanvisningen, inklusive alla varningssymboler såsom **"RISK"**, **"WARNING"** och **"VAR FÖRSIKTIG"**, innan produkten tas i bruk. Underlåtenhet att följa alla nedan angivna instruktioner kan leda till elstöt, brand och/eller svår personskada.

SÄKERHETSINSTRUKTIONER

På denna sida anges säkerhetssymboler som kan förekomma på produkten. Alla instruktioner som anges på enheten bör granskas, förstås och följas innan du försöker montera och använda den.

	Säkerhetsvarning	Åtgärder för din säkerhet
	Läs igenom bruksanvisningen	Användaren bör läsa igenom bruksanvisningen innan produkten tas i bruk för att minska risken för personskada.
	För inomhusbruk	Enheten får endast användas inomhus
	Konstruktion av klass II	Dubbelsolerad konstruktion
T6,3A 	Säkringslänkar	Miniatyrsäkring med tidsfördröjning
	CE	Denna produkt är i enlighet med gällande EC-direktiv.
	UKCA	Denna produkt uppfyller tillämplig lagstiftning i Storbritannien.
	WEEE	Förbrukade elektriska produkter får inte kastas i hushållssoporna. Lämna in dem till en auktoriserad återvinningsstation.
V	Volt	Spänning
A	Ampere	Ström
Hz	Hertz	Frekvens (cykler per sekund)
W	Watt	Effekt
min	Minuter	Tid
	Växelström	Strömtyp
	Likström	Strömtyp eller -specifikation

⚠ WARNING! Läs igenom alla instruktioner och försäkra dig om att du har förstått dem. Underlåtenhet att följa alla nedan angivna instruktioner kan leda till elstöt, brand och/eller svår personskada.

SÄKERHET I ARBETSOMRÅDET

- **Håll arbetsområdet rent och väl belyst.** Stökiga eller mörka arbetsområden kan leda till olyckor.
- **Laddaren av EGO får inte användas i explosiva miljöer såsom i närvaro av lättantändliga vätskor, gaser eller damm.** En laddare kan avge gnistor som kan tända damm eller ångor.

ELEKTRISK SÄKERHET

- **Stickproppen av den elektriska enheten ska**

passa uttaget. Stickproppen får aldrig modifieras på något sätt. Använd inga adapterstickproppar med jordade elektriska enheter. Omodifierade stickproppar och passande uttag minskar risken för elstöt.

- **Laddaren får inte utsättas för regn eller väta.** Intrång av vatten i laddaren ökar risken för elstöt.
- **Sladden får inte utsättas för påfrestningar.** Använd aldrig sladden för att bära, dra eller koppla ur laddaren. Håll laddaren borta från hög värme, olja, vassa kanter eller rörliga detaljer. Skadade eller tilltrasslade sladdar ökar risken för elstöt.
- **Undvik kroppskontakt med jordade ytor såsom rör, radiatorer, elspisar och kylskåp.** Risken för elstöt ökar när din kropp är jordad.
- **Om ett eldrivet verktyg används utomhus, använd en förlängningssladd som är lämplig för utomhusbruk.** Sladdar för utomhusbruk minskar risken för elstöt.
- Denna laddare av EGO kan ladda de nedan angivna litium-jonbatteripacken av EGO:

LADDARE	BATTERIPACK
CH5500E	BA1120E, BA1400, BA2240E, BA2240T, BA2242T, BA2800, BA3360, BA4200, BA1400T, BA2800T, BA4200T, BA5600T, BA6720T

SERVICE

- **Service bör utföras av en kvalificerad reparatör och endast med identiska reservdelar.** Detta upprätthåller säkerheten av laddaren.
- **Endast identiska reservdelar får användas vid service. Följ instruktionerna i avsnittet Underhåll i bruksanvisningen.** Användning av ej godkända reservdelar eller underlåtenhet att följa instruktioner i avsnittet Underhåll kan leda till risk för elstöt eller personskada.

SÄKERHETSFORESKRIFTER FÖR LADDAREN

⚠ VAR FÖRSIKTIG: Ladda endast sådana uppladdningsbara litium-jonbatterier som uttryckligen anges på laddarens maskinskytt för att minska risken för elstöt eller skada på laddaren och batteriet. Andra batterityper kan spricka och orsaka person- eller egendomsskada.

- Denna enhet är inte avsedd för att användas av personer (inkl barn) med nedsatt fysisk, sensorisk eller mental förmåga eller med bristande erfarenhet eller kunskaper om de inte hålls under uppsyn eller instrueras om användning av enheten av en person som ansvarar för deras säkerhet.

- **Innan batteriladdaren tas i bruk,** läs igenom alla instruktioner och granska varningssymbolerna i bruksanvisningen och på batteriladdaren, batteriet och produkten som batteriet används med för att undvika fel användning av produkter och eventuell person- eller egendomsskada.
- **Laddaren får inte användas utomhus eller utsättas till väta eller fukt.** Intrång av vatten i laddaren ökar risken för elstöt.
- **Laddaren (inkl stickproppen och laddarkontakterna) får inte hanteras med våta händer.**
- **Användning av ett tillbehör som inte rekommenderas eller tillhandahålls av tillverkaren av batteriladdaren kan leda till risk för brand, elstöt eller personskada.**
- **Ladda endast med en laddare som har specificerats av tillverkaren.** En laddare som är lämplig för en typ av batteripack kan orsaka brandrisk om den används med något annat batteripack.
- **Sladden och laddaren får inte utsättas för påfrestningar.** Sladden får inte användas för att bära laddaren. Dra inte i sladden för att koppla ur stickproppen från uttaget. Sladden eller laddaren kan skadas vilket orsakar risk för elstöt. Skadade sladdar bör genast bytas ut.
- **Se till att sladden placeras så att man inte kan trampa på eller snubbla över den och att den inte kommer i kontakt med vassa kanter eller rörliga detaljer eller annars utsätts för skada eller påfrestning.** Detta förebygger risken för fall som kan orsaka personskada och skada sladden vilket i sin tur kan leda till elstöt.
- **Håll sladden och laddaren borta från hög värme för att undvika skada på höljet eller invändiga detaljer.**
- **Plastdetaljer får inte komma i kontakt med bensin, oljor, petroleumbaserade produkter osv.** Dessa innehåller kemikalier som kan skada, försvaga eller förstöra plast.
- **Laddaren får inte användas om dess sladd eller stickpropp är skadad, detta kan orsaka kortslutning och elstöt.** En skadad laddare bör repareras eller bytas ut av en auktoriserad servicetekniker på en EGO-serviceverkstad.
- **Använd inte laddaren om den har fått en kraftig stöt, tappats eller skadats på något annat sätt.** Ta den till en godkänd servicetekniker för att kontrollera elsystemet och laddarens bruksskick.

SE

- **Försök inte att montera isär laddaren.** Ta den till en godkänd servicetekniker om den behöver service eller reparation. Felaktig montering kan leda till risk för elstöt eller brand.
- **Koppla ur laddaren från uttaget före underhåll eller rengöring för att minska risken för elstöt.**
- **Koppla ur laddaren från uttaget när den inte används.** Detta minskar risken för elstöt eller skada på laddaren om något metallföremål faller in i öppningen. Det hjälper även att undvika skada på laddaren vid överspänning.
- **Risk för elstöt.** Rör inte vid isolerade anslutningsdetaljer eller isolerade batterikontakter.
- **Spara dessa instruktioner.** Läs dem ofta och använd dem för att instruera eventuella övriga användare av enheten. Om du lånar enheten till någon bör dessa instruktioner följa med för att förebygga eventuell fel användning och personskada.

SE

VIKTIGA SÄKERHETSINSTRUKTIONER

- **Spara dessa instruktioner.** Bruksanvisningen innehåller viktiga instruktioner om säkerhet och användning av EGO 56V snabbbladdare CH5500E.
- **Innan batteriladdaren tas i bruk, läs igenom alla instruktioner och granska varningssymbolerna på batteriladdaren, batteriet och produkten som batteriet används med.**

⚠ VARNING! Grundläggande försiktighetsåtgärder bör alltid vidtas vid användning av elutrustning, bl a de nedan angivna.

- Särskild uppmärksamhet krävs när enheten används i närheten av barn för att minska risken för personskada.
- Använd endast tillbehör som rekommenderas eller tillhandahålls av tillverkaren.
- Enheten får inte användas utomhus.
- Vid en bärbar enhet - Se till att laddaren inte hamnar i vatten eller någon annan vätska för att minska risken för elstöt. Enheten får inte placeras eller förvaras så att den kan falla eller dras ner i ett badkar eller handfat.

⚠ VAR FÖRSIKTIG: Ladda endast uppladdningsbara litium-jonbatterier för att minska risken för personskada. Andra batterityper kan spricka och orsaka person- eller egendomsskada.

SPECIFIKATIONER

Laddarens ingång	220-240 V~ 50 Hz, 550 W
------------------	-------------------------

Laddarens utgång	5-8 A 56 V 
Snabbbladdning tid	<p>Cirka 25 minuter för batteripacket BA1120E</p> <p>Cirka 30 minuter för batteripacket BA1400/BA2240E/BA1400T/BA2240T/BA2242T</p> <p>Cirka 40 minuter för batteripacket BA2800/BA2800T</p> <p>Cirka 45 minuter för batteripacket BA3360</p> <p>Cirka 60 minuter för batteripacket BA4200/BA4200T</p> <p>Cirka 190 minuter för batteripacket BAX1300</p> <p>Cirka 70 minuter för batteripacket BA5600T</p> <p>Cirka 90 minuter för batteripacket BA6720T</p>
Optimal laddningstemperatur	5 °C-40 °C
Laddarens vikt	1,9 kg

BESKRIVNING

LÄRA KÄNNA DIN LADDARE (bild A)

1. Monteringsplats
2. Kylningsport
3. LED-indikatorer
4. Elektriska kontakter
5. Mjukt handtag
6. Hål för väggmontering

ANVÄNDNING

ATT LADDA BATTERIPACK

⚠ VARNING: Laddaren får inte användas utomhus eller utsättas för väta eller fukt. Intrång av vatten i laddaren ökar risken för elstöt.

OBS: Litium-jonbatteripack levereras delvis laddade. Batteripacket bör laddas fullt före första användning.

1. Anslut laddaren till uttaget (220-240V~, 50Hz). De fyra LED-indikatorerna för laddning lyser grönt för ett ögonblick för att visa att laddaren fungerar korrekt.
2. Rikta in de upphöjda listerna på batteripacket/adaptern med monteringshålen på laddaren: skjut in batteripacket/adaptern i laddaren (bild B).

OBS! Vid laddning av batteripacket BAX1300, anslut först adaptern till batteriet.

- Laddaren kommunicerar med batteripacket för att utvärdera batteripackets skick.
- Medan batteripacket laddar tänds de fyra gröna LED-indikatorerna i följd från vänster till höger för att visa laddningsnivån (se fig. 3). Strömindikatorn på batteripacket (BA1120E, BA1400, BA2240E, BA2800, BA3360, BA4200) blinkar i ordningen: röd, orange och grön, eller så visar strömindikatorn laddningskapaciteten för batteripacket BAX1300 med siffror. Det sista segmentet på 5-LED indikatorn på batteripaketet kommer att blinka grönt (För BA1400T, BA2240T, BA2242T, BA2800T, BA4200T, BA5600T, BA6720T). Laddarfläkten arbetar kontinuerligt för att kyla ner batteripacket.
- När batteripacket är fulladdat slutar LED-laddningsindikatorerna att tändas omväxlande och lyser ständigt grönt. Strömindikatorn på batteripacket slocknar. Vänta tills kylfläktarna stannat, ta ut batteripacket/adaptorn från laddaren och koppla ur

- laddaren från strömförsörjningen.
- Om batteripacket lämnas i laddaren laddas det fullt men det är (gäller ej BAX1300) skyddat mot överladdning. Om batteripacket sitter i laddaren i en månad eller längre aktiveras underhållsfunktionen och batteriet laddas ur till 30%. I så fall behöver batteripacket sättas i laddaren igen för fulladdning.

Bild C. Se nedan för beskrivning av delar:

C-1	LED-lampa 1	C-3	LED-lampa 3
C-2	LED-lampa 2	C-4	LED-lampa 4

OBS:

- Betydligt reducerad batteritid efter fulladdning av batteripacket visar att batterierna håller på att bli uttjänta och behöver bytas.
- Laddaren kan bli varm under laddning. Detta är normalt. Ladda i ett väl ventilerat ställe.

SE

LADDARENS LED-FUNKTIONER

För BA1120E, BA1400, BA2240E, BA2800, BA3360, BA4200

LED-INDIKATOR	BATTERIPACK	LED-LAMPOR PÅ LADDAREN				STRÖMINDIKATOR PÅ BATTERIPACKET	BATTERIPACK EFFEKT	ÅTGÄRD
		LED1	LED2	LED3	LED4			
	Defekt	Blinkar rött eller släckt	Av	Av	Av	Av	—	Batteripacket eller laddaren är defekt.
	Kallt/varmt batteri	Lyser rött	Av	Av	Av	Av	—	Laddningen påbörjas när batteripackets temperatur återgår till 3 °C- 57 °C
	Laddar	Blinkar grönt	Av	Av	Av	Blinkar växelvís, orange och grön.	Mindre än 25 %	Laddar
		Lyser växelvís grönt	Av	Av	Av		25 % till 50 %	Laddar
		Lyser växelvís grönt	Av	Av	Av		50 % till 75 %	Laddar
		Lyser växelvís grönt	Av	Av	Av		75 % till 90 %	Laddar
	Fulladdat	Lyser kontinuerligt grön	Av	Av	Av	90 % till 100 %	Laddningen är klar. Underhållsladdning.	
—	Automatiskt självunderhåll	Blinkar snabbt grön under en tid	Av	Av	Av	Cirka 30 %	Batteripacket utför ett automatiskt självunderhåll eller är i viloläget. Ta bort och sätt tillbaka batteripacket i laddaren för att ladda den fullt.	

För BA1400T, BA2240T, BA2242T, BA2800T, BA4200T, BA5600T, BA6720T

LED-INDIKATOR	BATTERIPACK	LED-LAMPOR PÅ LADDAREN				5-LED-INDIKATOR PÅ BATTERIPACKET	BATTERIPACK EFFEKT	ÅTGÄRD
		LED1	LED2	LED3	LED4			
	Defekt	Blinkar rött eller släckt	Av	Av	Av	Av	—	Batteripacket eller laddaren är defekt.
	Kallt/varmt batteri	Lyser rött	Av	Av	Av	Av	—	Laddningen påbörjas när batteripackets temperatur återgår till 3°C- 57°C (För BA1400T, BA2800T, BA4200T, BA5600T)/3°C-50°C (För BA2240T).
	Laddar	Blinkar grönt	Av	Av	Av	Sista segmentet blinkar grönt, resten lyser fast grönt	Mindre än 25 %	Laddar
		Lyser växelvis grönt	Av	Av	25 % till 50 %		Laddar	
		Lyser växelvis grönt	Av	50 % till 75 %	Laddar			
		Lyser växelvis grönt	75 % till 90 %	Laddar				
	Fulladdat	Lyser kontinuerligt grön			Av	90 % till 100 %	Laddningen är klar. Underhållsladdning.	
—	Automatiskt självunderhåll	Blinkar snabbt grön under en tid			Av	Cirka 30 %	Batteripacket utför ett automatiskt självunderhåll eller är i viloläget. Ta bort och sätt tillbaka batteripacket i laddaren för att ladda den fullt.	

SE

LADDNING AV ETT KALLT ELLER ÖVERHETTAT BATTERIPACK

Om batteripacket är utanför de normala temperaturgränserna lyser LED1 rött. När batteripacket svalnar ner till ca 57°C (42 °C för BAX1300, 50°C för BA2240T) eller värms upp till över 3°C inleds laddningen automatiskt och de 4 LED-indikatorerna tänds normalt i följd.

DEFEKT BATTERIPACK ELLER LADDARE

Om laddaren identifierar ett problem börjar LED1 blinka rött eller alla LED-ljus slocknar.

ATT LADDA BA1120E, BA1400, BA2240E, BA2242T, BA2800, BA3360, BA4200, BA1400T, BA2240T, BA2800T, BA4200T, BA5600T, BA6720T

1. Om ett fel indikeras, ta ut batteripacket och sätt det

i laddaren igen. Om LED-ljusen fortfarande indikerar "defekt", försök med ett annat batteripack.

2. Om det andra batteripacket laddas normalt, kassera det defekta batteripacket (se instruktionerna i batteripackets bruksanvisning).
3. Om det andra batteripacket också indikeras som "defekt", koppla ur laddaren och vänta tills den blinkande indikatorn LED1 slocknar, anslut sedan stickproppen till uttaget igen. Om LED1 på laddaren fortfarande indikerar fel kan laddaren vara defect.

ATT LADDA BAX1300

1. Om anslutningen visar defekt status, ta bort och återanslut batteripacket och laddaren till adaptorn. Om LED-lamporna visar "defekt" även den andra gången, testa att använda en ny adapter eller ladda ett annat batteripack.

2. Om den andra adaptern eller batteripacket laddar normalt, kassera den felaktiga adaptern eller batteripacket (se anvisningarna i batteripackets manual).
3. Om du bytt ut både batteripack och adapter och det ännu visas "defekt", dra ut laddaren och vänta tills den blinkande LED1-lampan slocknar och anslut sedan kontakten till strömförsörjningen igen. Om LED1-lampan fortfarande visar statusen defekt kan laddaren vara trasig.

HÅL FÖR VÄGGMONTERING

Laddaren har upphängningshål för bekväm förvaring (bild A-6). Installera skruvar med avstånd på 76mm i väggen. Använd tillräckligt hållfasta skruvar så att de kan tåla den totala tyngden av laddaren och batteripacket (upp till ca 4,1kg.).

UNDERHÅLL

⚠ VARNING: Ta alltid ut batteripacket ur verktyget före rengöring eller någon underhållsåtgärd för att förebygga svåra personskador.

⚠ VARNING: Endast identiska reservdelar av EGO får användas vid service. Användning av andra detaljer kan leda till risker eller skada produkten.

⚠ VARNING: Det rekommenderas inte att rengöra laddaren med torr tryckluft. Om rengöring med tryckluft är den enda tillgängliga rengöringsmetoden, använd alltid skyddsglasögon eller skyddsglasögon med sidoskydd. Använd även dammask i dammiga miljöer.

⚠ VARNING: Om sladden skadas bör den bytas ut av tillverkaren, tillverkarens servicerepresentant eller en likvärdigt kvalificerad person för att förebygga risker.

ALLMÄNT UNDERHÅLL

Undvik att använda lösningsmedel vid rengöring av plastdetaljer. De flesta plastmaterialen är känsliga mot olika typer av vanliga lösningsmedel och kan skadas. Använd en ren trasa för att torka bort smuts, damm, olja, smörjmedel osv.

⚠ VARNING: Se till att plastdetaljerna inte kommer i kontakt med bromsvätska, bensin, petroleumbaserade produkter, penetrerande oljor osv. Kemikalier kan skada, försvaga eller förstöra plast vilket kan leda till svåra personskador.

⚠ VARNING: Använd endast identiska reservdelar av EGO vid service. Användning av andra detaljer kan leda till risker eller skada på produkten. Alla reparationer bör utföras av en kvalificerad servicetekniker på en EGO-serviceverkstad för att upprätthålla säkerhet och driftsäkerhet.

Miljöskydd



Elektriska enheter, batteriladdare och batterier/uppladdningsbara batterier får inte kastas med hushållsavfall!

Enligt det europeiska direktivet 2012/19/EU ska uttjänta elektriska och elektroniska enheter samlas separat och hanteras på ett miljövänligt sätt; samma gäller för defekta eller uttjänta batteripack/batterier enligt det europeiska direktivet 2006/66/EG.

Om elektriska enheter hamnar i soptippar eller avfallsdepåer kan farliga ämnen läcka ut till grundvattnet, hamna i näringskedjan och skada din hälsa och ditt välmående.

SE

FELSÖKNING

PROBLEM	ORSAK	ÅTGÄRD
Laddaren fungerar inte. LED1 blinkar rött eller alla LED-ljus slocknar.	Batteripacket, adaptorn eller laddaren är defekt eller det är en dålig anslutning mellan batteripacket, adaptorn och laddaren.	<ul style="list-style-type: none">■ Testa att ta bort och återansluta batteripacket/adaptorn till laddaren.■ Testa att ta bort och ansluta adaptorn till batteripacket (för BAX1300).■ Testa att byta ut adaptorn.■ Försök att ladda med ett annat batteripack.■ Koppla ur laddaren och vänta tills den röda LED-indikatorn slocknar, anslut sedan stickproppen till uttaget igen.
SE Laddaren fungerar inte och LED1 lyser rött.	Batteripacket är för varmt eller kallt.	Låt batteripacket återgå till den normala temperaturen. Laddning inleds när batteripacket återgår till 3°C-57°C(42 °C för BAX1300, 3°C -50°C for BA2240T).

GARANTI

GARANTIVILLKOREN AV EGO

Var god besök webbplatsen egopowerplus.com för att se de fullständiga garantivillkoren av EGO.

LUE KAIKKI OHJEET!



LUE KÄYTTÖOPAS

⚠ Vaara! Henkilöiden, joilla on sydämentahdistin tai muu vastaava elektroninen laite, tulisi keskustella lääkärin kanssa ennen tämän tuotteen käyttöä. Sähkölaitteiden käyttö sydämentahdistimen lähetyksillä saattaa häiritä tahdistimen toimintaan tai aiheuttaa vakavan toimintahäiriön.

⚠ VAROITUS: Valtuutetun huoltoteknikon tulee suorittaa kaikki korjaukset, jotta voidaan taata tuotteen turvallinen ja luotettava käyttö.

⚠ VAROITUS: Tätä laitetta voivat käyttää yli 8-vuotiaat lapset ja henkilöt, joiden fyysiset, sensoriset tai psyykkiset taidot ovat alentuneet tai joilla ei ole riittävästi kokemusta ja tietoa, jos heitä valvotaan tai neuvotaan laitteen turvallisessa käytössä ja he ymmärtävät siihen liittyvät vaarat. Lapset eivät saa leikkiä laitteella. Lapset eivät saa puhdistaa ja huoltaa laitetta ilman valvontaa.

TURVAMERKIT

Turvamerkkien tavoitteena on kiinnittää huomiota mahdollisiin vaaroihin. Sinun tulee lukea huolellisesti ja ymmärtää turvamerkit ja niiden selitteet. Turvamerkit eivät itsessään poista vaaraa. Niiden antamat ohjeet ja varoitukset eivät korvaa asianmukaisia tapaturman torjuntatoimenpiteitä.

⚠ VAROITUS: Varmista, että luet ja ymmärrät kaikki tämän käyttäjän käsikirjan turvallisuusohjeet, mukaan lukien kaikki vaaramerkit, kuten **“VAARA”**, **“VAROITUS”** ja **“HUOMIO”**, ennen kuin käytät työkalua. Kaikkien alla mainittujen ohjeiden noudattamatta jättäminen voi aiheuttaa sähköiskun, tulipalon ja/tai vakavan henkilövahingon.

TURVALLISUUSOHJEET

Tällä sivulla esitetään ja kuvataan tähän tuotteeseen mahdollisesti liittyvät turvamerkit. Lue kaikki koneen ohjeet siten, että ymmärrät ne, ja noudata niitä ennen kuin kasaat koneen ja käytät sitä.

	Turvallisuusvaroitus	Turvallisuuteen liittyvät varoimenpiteet
	Lue käyttäjän käsikirja	Tapaturmariskin pienentämiseksi käyttäjän täytyy lukea käyttäjän käsikirja.
	Sisäkäyttö	Käytä tätä laitetta vain sisätiloissa
	Suojausluokan II rakenne	Kaksoiseristetty rakenne
	Sulakkeet	Hidastettu pienoissulake
	CE	Tämä tuote vastaa sovellettavia EU-direktiivejä.
	UKCA	Tämä tuote on Yhdistyneen kuningaskunnan lainsäädännön mukainen.
	WEEE	Vanhoja sähkölaitteita ei saa hävittää kotitalousjätteen mukana. Vie laita valtuutettuun kierrätyslaitokseen.
V	Voltti	Jännite
A	Ampeerit	Virta
Hz	Hertsi	Taajuus (sykliä sekunnissa)
W	Watti	Teho
min	Minuuttia	Aika
	Vaihtovirta	Virran tyyppi
	Tasavirta	Virran tyyppi tai virtajännite

⚠ VAROITUS: Lue ja ymmärrä kaikki ohjeet.

Alla mainittujen ohjeiden noudattamatta jättäminen voi aiheuttaa sähköiskun, tulipalon ja/tai vakavan henkilövahingon.

TYÖALUEEN TURVALLISUUS

- **Pidä työalue puhtaana ja hyvin valaistuna.** Epäjärjestyksessä olevilla tai hämärillä alueilla sattuu helpommin tapaturmia.
- **Älä käytä EGO-latauslaitetta räjähdysvaarallisissa ympäristöissä, kuten syttyvien nesteiden, höyryjen tai pölyn läheisyydessä.** Latauslaitteen käytöstä voi syntyä kipinöitä, jotka voivat sytyttää pölyn tai höyryt palamaan.

SÄHKÖTURVALLISUUS

■ **Sähkötökalun pistokkeiden täytyy sopia pistorasiaan.** Älä koskaan muuntele pistoketta millään tavalla. Älä käytä sovittipistokkeita maadoitettujen sähkötökalujen kanssa. Muuntelemattomat pistokkeet ja yhteensopivat pistorasiat pienentävät sähköiskun riskiä.

■ **Älä altista latauslaitetta sateelle tai märille olosuhteille.** Veden pääsy latauslaitteen sisälle lisää sähköiskun riskiä.

■ **Älä turmele liitäntäjohtoa.** Älä koskaan kannata tai vedä latauslaitetta johdosta. Älä myöskään irrota latauslaitetta pistorasiasta johdosta vetämällä. Pidä johto etäällä lämmönlähteistä, öljystä, terävistä kulmista tai liikkuvista osista. Vioittuneet tai sotkeutuneet johdot lisäävät sähköiskun riskiä.

■ **Vältä koskettamasta maadoitettuja pintoja, kuten putkia, lämpöpattereita, liesiä ja jääkaappeja.** Maadoitettuihin pintoihin koskettaminen lisää sähköiskun riskiä.

■ **Käytä ulkokäyttöön sopivaa jatkojohtoa, kun käytät sähkötökalua ulkona. Ulkokäyttöön sopivan johdon käyttäminen pienentää sähköiskun riskiä**

■ EGO-latauslaitteella voi ladata alla mainitut EGO-litiumioniakkuysiköt:

LATAUSLAITE	AKKUYKSIKÖT
CH5500E	BA1120E, BA1400, BA2240E, BA2240T, BA2242T, BA2800, BA3360, BA4200, BA1400T, BA2800T, BA4200T, BA5600T, BA6720T

HUOLTO

■ **Huollata latauslaite valtuutetulla korjaajalla, joka käyttää vain valmistajan hyväksymiä varaosia.** Näin voit varmistaa, että latauslaite säilyy turvallisena.

■ **Kun huollat latauslaitetta, käytä vain valmistajan hyväksymiä varaosia. Noudata tämän käsikirjan Huolto-osiossa annettuja ohjeita.** Valtuuttamattomien osien käyttö tai Huolto-ohjeiden noudattamatta jättäminen voi aiheuttaa sähköisku- tai loukkaantumisriskin.

LATAUSLAITTEEN TURVAMÄÄRÄYKSET

⚠ **HUOMIO:** Voit pienentää sähköiskun riskiä tai latauslaitteelle ja akulle aiheutuvaa vahinkoa lataamalla vain latauslaitteen kyttissä erityisesti mainittuja ladattavia litiumioniakkuja. Muut akkutyypit voivat räjähtää ja aiheuttaa henkilövahingon tai vaurioita.

■ Laitetta ei ole tarkoitettu sellaisten henkilöiden (mukaan lukien lapset) käytettäväksi, joiden fyysiset, sensoriset tai psyykkiset taidot ovat alentuneet tai joilla ei ole riittävästi kokemusta ja tietoa, ellei heidän turvallisuudestaan vastuussa oleva henkilö valvo tai neuvo heitä laitteen käytössä.

■ **Ennen kuin käytät akun latauslaitetta,** lue kaikki tässä käsikirjassa ja akun latauslaitteessa, akussa ja tuotteessa, jossa akkua käytetään, mainitut ohjeet ja varoitusmerkinnät. Siten voit estää tuotteiden väärinkäytön ja mahdollisen vamman tai vahingon syntymisen.

■ **Älä käytä latauslaitetta ulkotiloissa äläkä altista sitä märille tai kosteille olosuhteille.** Veden pääsy latauslaitteen sisälle lisää sähköiskun riskiä.

■ **Älä käsittele märin käsin latauslaitetta tai sen pistoketta ja liittimiä.**

■ **Sellaisen kiinnityskappaleen käyttö, jota akun latauslaitteen valmistaja ei ole suositellut tai myynyt, voi aiheuttaa tulipalon, sähköiskun tai henkilövahinkojen riskin.**

■ **Lataa uudelleen vain valmistajan määrittelemällä latauslaitteella.** Latauslaite, joka sopii yhdelle akkuyksikkötyypille, voi toisen akkuyksikön kanssa käytettynä aiheuttaa tulipaloriskin.

■ **Älä turmele johtoa tai latauslaitetta.** Älä koskaan kannata latauslaitetta johdosta. Älä irrota pistoketta pistorasiasta johdosta vetämällä. Johto tai latauslaite voi vioittua ja aiheuttaa sähköiskun vaaran. Vaihda vioittuneet johdot välittömästi.

■ **Varmista, että johto kulkee paikasta, jossa sen päälle ei astuta, siihen ei kaaduta, se ei joudu kosketuksiin terävien reunojen tai liikkuvien osien kanssa tai jossa se ei muuten ole vaarassa vioittua tai siihen ei kohdistu kuormitusta.** Voit näin pienentää tapaturmaisten kaatumisten riskiä, joka voi aiheuttaa loukkaantumisen ja liitäntäjohtoon vaurioitumisen, mistä voi seurata sähköisku.

■ **Estä kotelon tai sisäisten osien vioittuminen pitämällä johto ja latauslaite kaukana lämmönlähteistä.**

■ **Älä päästä bensimiä, öljyjä, petrolipohjaisia tuotteita jne. kosketuksiin muoviosien kanssa.** Kyseiset aineet sisältävät kemikaaleja, jotka voivat vaurioittaa, heikentää tai tuhota muovia.

■ **Älä käytä latauslaitetta, jos sen johto tai piste on vioittunut, koska seurauksena voi olla oikosulku tai sähköisku.** Jos latauslaite on vioittunut, pyydä valtuutettua huoltoteknikkoa korjaamaan tai vaihtamaan se EGO-huoltopisteessä.

- **Älä käytä latauslaitetta, jos siihen on kohdistunut terävä isku, se on pudotettu tai se on muutoin jollakin tavalla vioittunut.** Vie se valtuutetulle huoltoteknikolle sähkötarkastukseen, jossa määritetään, onko latauslaite käyttökunnossa.
- **Älä pura latauslaitetta.** Vie se valtuutetulle huoltoteknikolle, kun se tarvitsee huoltoa tai korjata. Latauslaitteen virheellinen uudelleenkokoonaminen voi aiheuttaa sähköiskun tai tulipalon riskin.
- **Irrota latauslaite verkkovirrasta ennen huolto- tai puhdistustoimenpiteitä sähköiskun riskin pienentämiseksi.**
- **Irrota latauslaite virransyötöstä, kun sitä ei käytetä.** Voit siten pienentää sähköiskun riskiä tai latauslaitteelle aiheutuvaa vahinkoa, jos metallikappaleita osuu aukkoon. Se auttaa myös estämään latauslaitteen vioittumista virtapiikkiin aikana.
- **Sähköiskun riski.** Älä kosketa lähtöliittimen eristämätöntä osaa tai eristämätöntä akun napaa.
- **Säilytä nämä ohjeet.** Lue niitä usein ja anna ne myös luettavaksi muille henkilöille, jotka mahdollisesti käyttävät työkalua. Jos lainaat työkalua toiselle henkilölle, anna mukaan myös nämä ohjeet, jotta voit estää tuotteen väärinkäytön ja mahdollisen vahingon.

TÄRKEITÄ TURVALLISUUSOHJEITA

- **Säilytä nämä ohjeet.** Tämä käsikirja sisältää tärkeitä 56 V pikalatauslaitteen CH5500E turvallisuus- ja käyttöohjeita.
- **Ennen kuin käytät akun latauslaitetta, lue kaikki akun latauslaitteessa, akussa ja tuotteessa, jossa akkua käytetään, annetut ohjeet ja varoitusmerkinnät.**

VAROITUS: Kun käytät sähkölaitteita, tiettyjä varotoimenpiteitä tulee aina noudattaa, joista seuraavassa mainitaan muutamia..

- Tapaturmariskin pienentämiseksi tarvitaan tarkkaa valvontaa, kun laitetta käytetään lasten lähellä.
- Käytä vain valmistajan suosittelemia tai myymiä kiinnityskappaleita.
- Älä käytä ulkotiloissa.
- Kannettava laite - Pienennä sähköiskun riskiä siten, että et laita latauslaitetta veteen tai muihunkin nesteeseen. Älä aseta laitetta paikkaan tai säilytä sitä paikassa, josta se voi pudota tai josta se voidaan vetää ammeeseen tai pesualtaaseen.

HUOMIO: Lataa loukkaantumisen riskin pienentämiseksi vain ladattavia litiumioniakkuja. Muut akkutyypit voivat räjähtää ja aiheuttaa henkilövahingon tai vaurioita.

TEKNISETTIEDOT

Latauslaitteen tulo	220-240 V~50 Hz, 550 W
Latauslaitteen lähtö	5-8 A 56 V
Pikalatausaika	Noin 25 minuuttia BA1120E akun tapauksessa Noin 30 minuuttia BA1400/BA2240E/BA1400T/BA2240T/BA2242T akun tapauksessa Noin 40 minuuttia BA2800/BA2800T akun tapauksessa Noin 45 minuuttia BA3360 akun tapauksessa Noin 60 minuuttia BA4200/BA4200T akun tapauksessa Noin 190 minuuttia BAX1300 akun tapauksessa Noin 70 minuuttia BA5600Takun tapauksessa Noin 90 minuuttia BA6720Takun tapauksessa
Optimaalinen latauslämpötilä	5 °C-40 °C
Latauslaitteen paino	1,9 kg

FI

KUVAUS

OPETTELE TUNTEMAAN LATAUSLAITE (kuva A)

1. Kiinnitysura
2. Jäähdytysilman tuloaukko
3. LED-merkkivalot
4. Sähköliitännät
5. Pehmeä kahva
6. Seinäkiinnityksen kiinnitysreiat

KÄYTTÖ

AKKUYKSİKÖN LATAUS

VAROITUS: Älä käytä latauslaitetta ulkotiloissa äläkä altista sitä märille tai kosteille olosuhteille. Veden pääsy latauslaitteen sisälle lisää sähköiskun riskiä.

HUOMAUTUS: Litiumioniakkuyksiköt toimitetaan osittain ladattuina. Lataa akkuyksikkö täyteen ennen ensimmäistä käyttöä.

1. Kytke latauslaite virransyötöön (220–240 V~, 50 Hz). Neljä varustilaa LED-merkkivaloa palaa hetken aikaa vihreinä ilmaisten siten, että latauslaite toimii oikein.
2. Kohdista akkuyksikön/sovittimen ylösnostetut ulokkeet latauslaitteen kiinnitysuriin; liu'uta

Mallit BA1400T, BA2240T, BA2242T, BA2800T, BA4200T, BA5600T, BA6720T

LED MERKKIVALO	AKKU	LATURIN LED-MERKKIVALO				AKUN 5 LED-MERKKIVALOA	AKUN TEHO	TOIMINTO
		LED1	LED2	LED3	LED4			
	Viallinen	Vilkkuu punaisena tai poissa päältä	Pois päältä	Pois päältä	Pois päältä	Pois päältä	—	Akku tai laturi on viallinen.
	Kylmä/kuuma akku	Palaa punaisena	Pois päältä	Pois päältä	Pois päältä	Pois päältä	—	Lataus alkaa, kun akku palaa 3–57°C. (Mallit BA1400T, BA2242T, BA2800T, BA4200T, BA5600T, BA6720T)/3–50°C (Mallit BA2240T)
	Ladataan	Vilkkuu vihreänä	Pois päältä	Pois päältä	Pois päältä	Viimeinen segmentti vilkkuu vihreänä, muut palavat kiinteästi	Alle 25 %	Ladataan
		Palaa vihreänä vuorotellen	Pois päältä	Pois päältä	25–50 %		Ladataan	
		Palaa vihreänä vuorotellen	Pois päältä	50–75 %	Ladataan			
		Palaa vihreänä vuorotellen	75–90 %	Ladataan				
	Täysin ladattu	Palaa vihreänä jatkuvasti				Pois päältä	90–100 %	Lataus valmis. Ylläpitolataus.
—	Ylläpitotoiminto	Ajoittain nopeasti vilkkuva vihreä valo				Pois päältä	Arviolta 30 %	Akku tekee ylläpitotoiminnon tai on lepotilassa. Poista akku laturista ja laita siihen uudelleen, niin se latautuu täyteen.

FI
KUUMAN TAI KYLMÄN AKKUYKSIKÖN LATAUS

Jos akkuyksikkö on normaalin lämpötila-alueen ulkopuolella, LED1-valo palaa punaisena. Latauslaite aloittaa automaattisesti latauksen ja 4 LED-valoa palavat normaalisti vuorotellen, kun akkuyksikkö jäähtyy n. 57 °C (42 °C malli BAX1300, 50°C for BA2240T):n lämpötilaan tai lämpenee yli 3 °C:n lämpötilaan.

VIALLINEN AKKUYKSIKKÖ TAI LATAUSLAITE

Jos latauslaite havaitsee ongelman, LED1-valo alkaa vilkkua punaisena tai kaikki LED- valot sammuvat.

LATAA BA1120E, BA1400, BA2240E, BA2242T, BA2800, BA3360, BA4200, BA1400T, BA2240T, BA2800T, BA4200T, BA5600T, BA6720T

- Jos tila on viallinen, poista akkuyksikkö latauslaitteesta ja laita se sinne takaisin. Jos LED-valot osoittavat toisellakin kerralla tilaksi "viallinen", kokeile ladata toinen akkuyksikkö..

- Jos toinen akkuyksikkö latautuu normaalisti, hävitä viallinen akkuyksikkö (katso ohjeita akkuyksikön käsikirjasta).
- Jos myös toinen akkuyksikkö osoittaa tilaksi "viallinen", irrota latauslaite ja odota kunnes vilkkuva LED1-valo sammuu. Kytke sen jälkeen pistoke takaisin virransyöttöön. Jos latauslaitteen LED1-valo ilmaisee yhä viallista tilaa, latauslaite voi olla viallinen.

LATAA BAX1300

- Jos tila on viallinen, poista akkuyksikkö latauslaitteesta ja sovittimesta ja laita se sinne takaisin. Jos LED-valot osoittavat toisellakin kerralla tilaksi "viallinen", vaihda uusi sovitin tai kokeile ladata toinen akkuyksikkö.
- Jos toinen sovitin tai akkuyksikkö latautuu normaalisti, hävitä viallinen sovitin tai akkuyksikkö (katso ohjeita akkuyksikön käsikirjasta).

3. Jos yhdessä vaihdettu akkuyksikkö ja sovitin osoittavat tilaksi "viallinen", irrota latauslaite ja odota kunnes vilkkuva LED1-valo sammuu. Kytke sen jälkeen pistoke takaisin virransyöttöön. Jos latauslaitteen LED1-valo ilmaisee yhä viallista tilaa, latauslaite voi olla viallinen.

SEINÄKIINNITYKSEN KIINNITYSREIÄT

Latauslaitteessa on ripustusreiät kätevässä säilytystä varten (Kuva A-6). Asenna ruuvit seinään 76 mm päähän toisistaan. Käytä ruuveja, jotka ovat riittävän vahvoja kestämään latauslaitteen ja akkuyksikön yhteisen painon (enintään n. 4,1 kg.)

HUOLTO

VAROITUS: Irrota vakavien henkilövahinkojen välttämiseksi akkuyksikkö aina työkalusta, kun puhdistat sitä tai suoritat siihen jonkin huoltotoimenpiteen.

VAROITUS: Käytä huollon yhteydessä vain valmistajan hyväksymiä varaosia. Muiden osien käyttö voi aiheuttaa vaaran tai vahingoittaa tuotetta.

VAROITUS: Emme suosittele käyttämään kuivaa paineilmaa latauslaitteen puhdistusmenetelmänä. Jos paineilmallalla puhdistaminen on ainoa mahdollinen menetelmä, käytä aina suojalaseja tai turvalaseja sivusuojilla, kun puhdistat työkalua. Jos toimenpiteestä syntyy paljon pölyä, käytä myös pölysuojainta.

VAROITUS: Jos virtajohto on vioittunut, valmistajan, sen huoltoedustajan tai muun valtuutetun henkilön täytyy vaihtaa johto vaaran välttämiseksi.

PERUSHUOLTO

Vältä liuottimien käyttöä, kun puhdistat muoviosia. Useimmat muoviosat ovat herkkiä erilaisten kaupallisten liuottimien vaikutukselle, ja niiden käyttö voi aiheuttaa muoviosiin vaurioita. Käytä puhtaita liinoja esim. lian, pölyn, öljyn ja rasvan poistamiseen.

VAROITUS: Älä milloinkaan päästä esim. jarrunesteitä, bensiiniä, petrolipohjaisia tuotteita tai ruosteenirrotusöljyjä kosketuksiin muoviosien kanssa. Kemikaalit voivat vahingoittaa, heikentää tai tuhota muovia, mistä voi olla seurauksena vakava henkilövahinko.

VAROITUS: Käytä huollon yhteydessä vain valmistajan hyväksymiä varaosia. Muiden osien käyttö voi aiheuttaa vaaran tai vahingoittaa tuotetta. Valtuutetun huoltoteknikon tulee suorittaa kaikki korjaukset EGO-huoltopisteessä, jotta voidaan taata tuotteen turvallinen ja luotettava käyttö

Ympäristönsuojelu



Älä hävitä sähkölaitteita, akun latauslaitteita ja akkuja/ladattavia akkuja kotitalousjätteen mukana!

Euroopan parlamentin ja neuvoston direktiivin 2012/19/EU mukaan sähkö- ja elektroniikkalaitteet, jotka eivät ole enää käyttökelpoisia, ja Euroopan parlamentin ja neuvoston direktiivin 2006/66/EY mukaan vialliset tai käytetyt akkuyksiköt/akut täytyy kerätä erikseen.

Jos sähkölaitteet hävitetään viemällä kaatopaikoille tai roskaläjiin, vaarallisia aineita voi vuotaa pohjaveteen ja päästä ravintoketjuun ja vahingoittaa täten ihmisten terveyttä ja hyvinvointia.

VIANETSINTÄ

ONGELMA	SYY	RATKAISU
Latauslaite ei toimi. LED1-valo vilkkuu punaisena tai kaikki LED-valot sammuvat	Akkuyksikkö, sovitin tai latauslaite on viallinen tai akkuyksikön, sovittimen ja latauslaitteen välinen liitäntä on huono.	<ul style="list-style-type: none"> ■ Irrota akkuyksikkö/sovitin latauslaitteesta ja yhdistä ne siihen uudelleen. ■ Kokeile irrottaa sovitin ja yhdistää se uudestaan akkuyksikköön (malli BAX1300). ■ Vaihda uusi sovitin. ■ Kokeile ladata toinen akkuyksikkö. ■ Irrota latauslaite ja odota kunnes punainen LED-valo sammuu. Kytke seuraavaksi pistoke takaisin virransyöttöön.
Latauslaite ei toimi ja LED1-valo palaa punaisena.	Akkuyksikkö on liian kuuma tai kylmä.	Anna akkuyksikölle aikaa saavuttaa normaali lämpötila. Lataus alkaa, kun akkuyksikkö palaa lämpötilaan 3°C–57°C (42 °C malli BAX1300, 3°C -50°C for BA2240T).

FI

TAKUU

EGO-TAKUUKÄYTTÄNTÖ

Katso verkkosivuilta osoitteesta egopowerplus.com EGO-takuukäytännön ehdot ja edellytykset kokonaisuudessaan.

LES ALLE INSTRUKSJONER!



LES BRUKERMANUALEN

⚠ Restrisiko! Personer med elektroniske enheter, for eksempel pacemakere, må rådføre seg med lege før de bruker dette produktet. Drift av elektrisk utstyr i umiddelbar nærhet av en pacemaker kan føre til at pacemakeren forstyrres eller svikter.

⚠ ADVARSEL: For sikre både sikkerheten og påliteligheten, skal alle reparasjoner utføres av en kvalifisert servicetekniker.

⚠ ADVARSEL: Dette produktet kan brukes av barn fra åtte år og oppover og personer med reduserte fysiske, sensoriske eller mentale evner eller manglende erfaring og kunnskap hvis de har tilsyn eller får instruksjon i sikker bruk av produktet og forstår hvilke farer som kan inntreffe. Barn skal ikke leke med produktet. Rengjøring og vedlikehold skal ikke gjøres av barn med mindre de har tilsyn.

NO

SIKKERHETSSYMBOLER

Formålet med sikkerhetssymbolene er å trekke oppmerksomheten din mot mulige faresituasjoner. Sikkerhetssymbolene og forklaringene krever din fulle oppmerksomhet og forståelse. Symbolvarslene eliminerer ikke farer på egen hånd. Instruksjonene og advarslene som finnes i dem er ikke erstatninger for passende ulykkesforebyggende tiltak.

⚠ ADVARSEL: Sørg for å lese og forstå alle sikkerhetsanvisningene i denne bruksanvisningen, inkludert alle sikkerhetsvarselssymboler så som «**FARE**», «**ADVARSEL**» og «**FORSIKTIG**» før du bruker dette verktøyet. Hvis du ikke følger alle instruksjonene nedenfor, kan det føre til elektriske støt, brann og/eller alvorlig personskade.

SIKKERHETSINSTRUKSJONER

Denne siden viser og beskriver sikkerhetssymboler som finnes på produktet. Les, forstå og følg alle instruksjoner på maskinen før begynner montering og bruk.

	Sikkerhetsvarsel	Forsiktighetsregler som har med sikkerheten din å gjøre
	Les brukermanualen.	For å redusere risikoen for skader, må brukeren lese bruksanvisningen.
	Innendørs bruk	Dette produktet skal bare brukes innendørs
	Klasse II konstruksjon	Dobbeltisolert konstruksjon
T6,3A 	Sikringskoblinger	Tidsforsinket miniatrysikringslenke
	CE	Dette produktet er utformet i tråd med gjeldende EC-direktiver.
	UKCA	Dette produktet er i samsvar med gjeldende britisk lovgivning.
	WEEE	Elektrisk avfall må ikke kastes sammen med vanlig husholdningsavfall. Må avleveres på en godkjent gjenvinningsstasjon.
V	Volt	Spenning
A	Ampere	Strøm
Hz	Hertz	Frekvens (sykluser per sekund)
W	Watt	Effekt
min	Minutter	Klokkeslett
	Vekselstrøm	Typen spenning
	Likestrøm	Type eller karakteristikk for spenningen

⚠ ADVARSEL: Les og forstå alle instruksjoner. Hvis du ikke følger alle instruksjonene nedenfor, kan det føre til elektriske støt, brann og/eller alvorlig personskade.

SIKKERHET I ARBEIDSRÅDET

- **Hold arbeidsområdet rent og godt opplyst.**
Rotete eller mørke områder inviterer til ulykker.
- **Ikke bruk EGO-laderen i eksplosjonsfarlige omgivelser, for eksempel der det finnes brennbare væsker, gasser eller støv i nærheten.** En lader kan skape gnister, som kan antenne støv eller damper.

■ ELEKTRISK SIKKERHET

- **Støpselet til verktøyet må passe inn i stikkkontakten.** Støpselet må ikke forandres på noen måte. Ikke bruk adapterstøpsler sammen med jordede elektroverktøy. Umodifiserte støpsler og passende stikkontakter reduserer risikoen for elektrisk støt.
- Ikke utsett laderen for regn eller våte forhold. Vann som kommer inn i laderen vil øke risikoen for elektrisk støt.
- **Ikke misbruk ledningen.** Bruk aldri ledningen til å bære, trekke eller trekke ut laderen. Hold ledningen unna varme, olje, skarpe kanter eller bevegelige deler. Skadede eller sammenviklede ledninger øker risikoen for elektriske støt.
- **Unngå kroppskontakt med jordete overflater så som rør, radiatorer, komfyrer og kjøleskap.** Det er økt risiko for elektrisk støt hvis kroppen din er jordet.
- **Når du bruker et elektroverktøy utendørs, må du bruke skjøteledning som er godkjent for utendørs bruk.** Bruk av en ledning som er egnet for utendørs bruk, reduserer risikoen for elektriske støt.
- EGO-laderen kan lade EGO lithium-ion batteripakker som er oppført nedenfor:

LADER	BATTERIPAKKER
CH5500E	BA1120E, BA1400, BA2240E, BA2240T, BA2242T, BA2800, BA3360, BA4200, BA1400T, BA2800T, BA4200T, BA5600T, BA6720T

SERVICE

- **Få laderen reparert av et kvalifisert serviceverksted, som kun bruker identiske reservedeler.** Dette gjør at sikkerheten til laderen opprettholdes.
- **Ved service på en lader, skal det bare brukes originale reservedeler. Følg instruksjonene om vedlikehold som finnes i denne håndboken.** Bruk av uautoriserte deler eller unnlatelse av å følge vedlikeholdsinstruksjonene kan skape fare for støt eller skade.

SIKKERHETSREGLER FOR LADEREN

⚠ FORSIKTIG: For å redusere risikoen for elektrisk støt eller skade på laderen og batteriet, skal bare de oppladbare li-ion batteriene som står på laderens etikett, lades. Andre typer batterier kan sprekke og forårsake personskader eller annen skade.

- Dette produktet er ikke beregnet på å bli brukt av

personer (også barn) med redusert fysisk eller psykisk helse eller som mangler erfaring eller kunnskaper om bruken, dersom de ikke er gitt innføring eller instruksjon om bruken av produktet av en person som er ansvarlig for deres sikkerhet.

- **Før du bruker batteriladeren,** må du lese alle instruksjonene og advarene i denne håndboken og på batteriladeren, batteriet og produktet som batteriet skal brukes i, for å hindre misbruk av produktene og mulig personskader eller annen skade.
- **Ikke bruk laderen utendørs, eller utsett den for våte eller fuktige forhold.** Vann som kommer inn i laderen vil øke risikoen for elektrisk støt.
- **Ikke ta i laderen, inkludert laderstøpselet og laderterminaler, med våte hender.**
- **Bruk av tilleggsutstyr som ikke er anbefalt eller solgt av batteriladerens produsent kan medføre risiko for brann, elektriske støt eller personskader.**
- **Lades bare med ladere som er spesifisert av produsenten.** En lader som passer for én type batteripakke kan skape fare for brann når den brukes med andre batteripakker.
- **Ikke misbruk ledningen eller laderen.** Ikke bruk ledningen til å bære laderen. Ikke trekk laderen ut av støpselet ved å trekke i ledningen. Skade på ledningen eller laderen kan oppstå, og skape elektriske støt. Skift ut ødelagte ledninger umiddelbart.
- **Pass på at ledningen er plassert slik at den ikke blir tråkket på, snublet over, kommer i kontakt med skarpe kanter eller bevegelige deler, eller på annen måte utsettes for skade eller påkjenninger.** Dette vil redusere risikoen for fallulykker, noe som kan forårsake personskader og skade på ledningen, som deretter kan føre til elektriske støt.
- **Hold ledningen og laderen borte fra varme for å hindre skade på huset eller interne deler.**
- **Ikke la bensin, oljer, oljebaserte produkter, osv. komme i kontakt med plastdelene.** Disse materialene inneholder kjemikalier som kan skade, svekke eller ødelegge plast.
- **Ikke bruk laderen med en skadet ledning eller støpsel, da det kan føre til kortslutning og elektriske støt.** Hvis skadet, må laderen repareres eller byttes ut av en autorisert servicetekniker på et EGO-servicesenter.
- **Ikke bruk laderen hvis den har fått et kraftig slag, har falt ned eller på annen måte har blitt skadet.** Ta den med til en autorisert servicetekniker for elektrisk kontroll, for å se om laderen er i god stand.

NO

- **Ikke demonter laderen.** Ta den med til en autorisert servicetekniker når service eller reparasjon er nødvendig. Feilmontering kan føre til fare for elektriske støt eller brann.
- **Trekk laderen ut av stikkkontakten før du utfører vedlikehold eller rengjøring, for å redusere risikoen for elektriske støt.**
- **Koble laderen fra strømforsyningen når den ikke er i bruk.** Dette vil redusere risikoen for elektriske støt eller skader på laderen hvis metallgjenstander skulle falle inn i åpningen. Det vil også bidra til å forhindre skade på laderen ved overspenning.
- **Fare for elektrisk støt.** Ikke berør uisolerte deler på utgangskontakten eller uisolerte batteriterminaler.
- **Ta vare på disse instruksjonene.** Referer til dem ofte, og bruk dem til å instruere andre som kan komme til å bruke verktøyet. Hvis du låner ut verktøyet til noen andre, må de også få låne disse instruksjonene, for å hindre feilbruk av produktet og mulige skader.

NO

VIKTIGE SIKKERHETSINSTRUKSJONER

- **Ta vare på disse instruksjonene.** Denne håndboken inneholder viktige sikkerhets- og driftsinstruksjoner for 56V Rapid Charger CH5500E.
- **Før du bruker batteriladeren, må du lese alle instruksjoner og advarsler om batteriladeren, batteriet og produktet som batteriet skal brukes i.**

⚠ ADVARSEL: Når du bruker elektriske apparater, skal du alltid følge noen viktige sikkerhetsregler, inkludert følgende.

- For å redusere risikoen for skader, er det nødvendig med nøye oppsyn når et produkt brukes i nærheten av barn.
- Bruk kun tilbehør som anbefales eller selges av produsenten.
- Må ikke brukes utendørs.
- For bærbare produkter – For å redusere risikoen for elektrisk støt, skal ikke laderen legges i vann eller annen væske. Ikke plasser eller oppbevar apparatet slik at det kan falle eller bli trukket ned i et badekar eller en vask.

⚠ FORSIKTIG: For å redusere risikoen for skade, skal bare oppladbare lithium-ion batterier lades opp. Andre typer batterier kan sprekke og forårsake personskader eller annen skade.

SPESIFIKASJONER

Laderens inngangseffekt	220-240 V~50 Hz, 550 W
Laderens utgangseffekt	5-8 A 56 V 
Hurtigladingstid	Omtrent 25 minutter for BA1120E batteripakken Omtrent 30 minutter for BA1400/BA2240E/BA1400T/BA2240T/BA2242Tbatteripakken Omtrent 40 minutter for BA2800/BA2800T batteripakken Omtrent 45 minutter for BA3360 batteripakken Omtrent 60 minutter for BA4200/BA4200Tbatteripakken Omtrent 190 minutter for BAX1300 batteripakken Omtrent 70 minutter for BA5600T batteripakken Omtrent 90 minutter for BA6720T batteripakken
Optimal ladetemperatur	5 °C-40 °C
Laderens vekt	1,9 kg

BESKRIVELSE

KJENN LADEREN DIN (fig. A)

1. Festespor
2. Kjøleluftport
3. LED indikatorer
4. Elektriske kontakter
5. Mykt håndtak
6. Veggfeste hull

DRIFT

SLIK LADES BATTERIPAKKEN

⚠ ADVARSEL: Ikke bruk laderen utendørs, eller utsett den for våte eller fuktige forhold. Vann som kommer inn i laderen vil øke risikoen for elektrisk støt.

MERK: Lithium-ion batteripakker leveres delvis ladet. Før du bruker den første gang, skal batteriet fullades.

1. Koble laderen til strømforsyningen (220 – 240 V, 50 Hz). De fire LED-lampene for ladeindikasjon vil lyse grønt et øyeblikk, noe som indikerer at laderen fungerer som den skal.

2. Juster de løftede områdene på batteripakken / adapteren med monteringssporet i laderen; Skyv batteripakken / adapteren ned på laderen (fig. B).

MERK: Hvis du lader BAX1300 batteripakken, må du først koble adapteren til batteriet.

3. Laderen vil kommunisere med batteriet for å vurdere tilstanden til batteriet.
4. Når batteriet lades, vil de fire LED-lampene for ladeindikasjon på laderen lyse grønt i rekkefølge fra venstre til høyre for å indikere ladenivået. Se fig. C. Strømindikatorene på batteripakken (BA1120E, BA1400, BA2240E, BA2800, BA3360, BA4200) blinker i denne rekkefølgen: rød, oransje og grønn, eller LCD-indikatoren på BAX1300-batteriet vil vise numerisk ladningskapasitet. Det siste segmentet i batteripakkens 5-LED-indikator vil blinke grønt (For BA1400T, BA2240T, BA2242T, BA2800T, BA4200T, BA5600T, BA6720T). Viften i laderen fungerer kontinuerlig for å avkjøle batteripakken.
5. Når batteripakken er fulladet, stoppes vekslingen mellom

ladeindikatorens LED-lamper, og vil lyse kontinuerlig grønt. Strømindikatorene på batteripakken vil gå ut. Vent til kjøleviften stopper, fjern batteripakken / adapteren fra laderen og koble laderen fra strømforsyningen.

6. Batteriet lades helt hvis man lar det stå i laderen, men det vil ikke overlades. Hvis batteripakken (unntatt BAX1300) forblir på laderen i en måned eller mer, vil den utføre egenvedlikehold og falle til 30 % ladekapasitet. Installer batteripakken i laderen for å lade den helt opp.

Fig. C delebeskrivelse, se nedenfor:

C-1	LED 1	C-3	LED 3
C-2	LED 2	C-4	LED 4

MERK:

- En betydelig redusert kjøretid etter full lading av batteriet angir at batteriene er nær slutten av den brukbare levetiden sin, og må byttes ut.
- Laderen kan bli varm under lading. Dette er en del av den normale driften av laderen. Lad i et godt ventilert område.

NO

LED-FUNKSJONENE TIL LADEREN

For BA1120E, BA1400, BA2240E, BA2800, BA3360, BA4200

LED-INDIKATOR	BATTERIPAKKE	LED PÅ LADEREN				STRØMINDIKATOR PÅ BATTERIPAKKEN	BATTERIPAKKESTRØM	HANDLING
		LED1	LED2	LED3	LED4			
	Defekt	Blinker rødt eller av	Av	Av	Av	Av	—	Batteripakken eller laderen er defekt.
	Kaldt/varmt batteri	Lyser rødt	Av	Av	Av	Av	—	Ladingen vil starte når batteripakken går tilbake til 3 °C – 57 °C.
	Lade opp	Blinker grønt	Av	Av	Av	Blinkende rødt, oransje og grønn, vekselvis	Mindre enn 25 %	Lade opp
		Lyser vekselvis grønt	Av	Av	Av		25 % til 50 %	Lade opp
		Lyser vekselvis grønt	Av	Av	Av		50 % til 75 %	Lade opp
		Lyser vekselvis grønt	Av	Av	Av		75 % til 90 %	Lade opp
	Fulladet	Lyser kontinuerlig grønt	Av	Av	Av	90 % til 100 %	Oppladningen er fullført. Vedlikeholdslading.	
—	Eget vedlikehold	Periodevis rask blinkende grønt	Av	Av	Av	Omtrent 30 %	Batteripakken utfører selvvedlikehold eller er i dvalemodus. Installer batteripakken i laderen for å lad den helt opp.	

For BA1400T, BA2240T, BA2242T, BA2800T, BA4200T, BA5600T, BA6720T

LED-INDIKATOR	BATTERIPAKKE	LED PÅ LADEREN				5-LEDS-INDIKATOR PÅ BATTERIPAKKEN	BATTERIPAKKESTRØM	HANDLING
		LED1	LED2	LED3	LED4			
	Defekt	Blinker rødt eller av	Av	Av	Av	Av	—	Batteripakken eller laderen er defekt.
	Kaldt/varmt batteri	Lyser rødt	Av	Av	Av	Av	—	Ladingen vil starte når batteripakken går tilbake til 3°C – 57°C (For BA1400T, BA2242T, BA2800T, BA4200T, BA5600T, BA6720T)/ 3°C – 50°C (For BA2240T).
	Lade opp	Blinker grønt	Av	Av	Av	Siste segment vil blinke grønt, resten vil lyse stabilt grønt	Mindre enn 25 %	Lade opp
		Lyser vekselvis grønt	Av	Av	25 % til 50 %		Lade opp	
		Lyser vekselvis grønt	Av	50 % til 75 %	Lade opp			
		Lyser vekselvis grønt	75 % til 90 %	Lade opp				
	Fulladet	Lyser kontinuerlig grønt			Av	90 % til 100 %	Oppladningen er fullført. Vedlikeholdslading.	
—	Eget vedlikehold	Periodevis rask blinkende grønt			Av	Omtrent 30 %	Batteripakken utfører selvedlikehold eller er i dvalemodus. Installer batteripakken i laderen for å lad den helt opp.	

NO

LADING AV EN VARM ELLER KALD BATTERIPAKKE

Hvis batteripakken er i det normale temperaturområdet, vil LED1 lyse rødt. Når batteriet kjøles ned til ca 57 °C (42 °C for BAX1300, 50°C for BA2240T) eller varmes til mer enn 3 °C, vil laderen automatisk begynne å lade, og de 4 LED-lampene går gjennom vanlig sekvens.

DEFEKT BATTERIPAKKE ELLER LADER

Hvis laderen oppdager et problem, vil LED1 begynne å blinke rødt, eller så vil alle LED-lampene slå seg av.

Å BARE BA1120E, BA1400, BA2240E, BA2242T, BA2800, BA3360, BA4200, BA1400T, BA2240T, BA2800T, BA4200T, BA5600T, BA6720T

1. Dersom det registrerer en defekt, fjernes batteripakken og settes inn igjen i laderen. Hvis LED-lampene fortsatt viser «defekt» andre gang, prøver du å lade en annen batteripakke.

2. Hvis et annet batteri lades normalt, kastes det defekte batteripakken (se instruksjonene i batteripakkens bruksanvisning).
3. Hvis en annen batteripakke også vises som «defekt», kobles laderen fra, og du må vente til den blinkende LED1-lampen slukkes før støpselet kobles til strømforsyningen igjen. Hvis LED1 på laderen fortsatt viser defekt, kan laderen være defekt.

Å BARE BAX1300

1. Hvis du registrerer det som defekt, fjern og koble batteripakken og laderen til adapteren igjen. Hvis LEDene fortsatt leser "defekt" en gang til, kan du prøve å bytte ut til en ny adapter eller lade en annen batteripakke.
2. Hvis en annen adapter eller batteripakke belastes normalt, kast den defekte adapteren eller batteripakken (se instruksjonene i batteripakken).

3. Hvis du erstatter både batteripakken og adapteren og dette også angir "defekt", trekk ut laderen og vent til den blinkende LED1 slukker, og koble deretter støpselet til strømforsyningen. Hvis LED1 på laderen fortsatt viser feil, kan ladningen være defekt.

VEGGMONTERINGSHULL

Laderen har hull til opphenging og praktisk oppbevaring (fig. A-6). Installer skruene i veggen, 76 mm fra hverandre. Bruk skruer som er sterke nok til å holde den samlede vekten av laderen og batteripakken (ca. maks 4,1 kg).

VEDLIKEHOLD

⚠ ADVARSEL: For å unngå alvorlige personskader, skal batteripakken alltid tas ut fra verktøyet når du rengjør eller utfører vedlikehold.

⚠ ADVARSEL: Ved service, må du bare bruke identiske reservedeler fra EGO. Bruk av andre deler kan forårsake farer eller skader på produktet.

⚠ ADVARSEL: Det er ikke anbefalt å bruke komprimert tørrluft som rengjøringsmetode for laderen. Hvis rengjøring med trykkluft er den eneste metoden man kan bruke, skal det alltid brukes vernebriller eller vernebriller med sidebeskyttelse ved rengjøring av verktøyet. Hvis arbeidet er støvete, må det brukes støvmaske også.

⚠ ADVARSEL: Dersom strømforsyningskabelen er skadet, må den kun skiftes av et autorisert serviceverksted eller en autorisert forhandler, for å unngå farer.

GENERELT VEDLIKEHOLD

Unngå å bruke løsemidler når plastdeler skal rengjøres. De fleste plasttyper er utsatt for skader fra ulike typer kommersielle løsemidler, og kan ta skade av bruk av slike. Bruk rene kluter for å fjerne skitt, støv, olje, fett, etc.

⚠ ADVARSEL: Ikke på noe tidspunkt skal bremsevæske, bensin, petroleum-baserte produkter, penetrerende oljer, osv. komme i kontakt med plastdeler. Kjemikalier kan skade, svekke eller ødelegge plastmaterialer, noe som kan føre til alvorlig personskade.

⚠ ADVARSEL: Ved service, må du bare bruke identiske reservedeler fra EGO. Bruk av andre deler kan forårsake farer eller skader på produktet. For sikre både sikkerheten og påliteligheten, skal alle reparasjoner utføres av en kvalifisert servicetekniker i et EG servicesenter.

Beskytt miljøet



Elektrisk utstyr, batterilader og batterier/oppladbare batterier skal ikke kastes i husholdningsavfall.

Ifølge EU-forskrift 2012/19/EU, skal elektrisk og elektronisk utstyr som ikke lenger er brukbart, og som i henhold til EU-forskrift 2006/66/EC har defekte eller brukte batteripakker/batterier, samles inn separat.

Hvis elektrisk apparater kastes på søppelfyllinger, kan farlige stoffer lekke ut i grunnvannet og komme inn i næringskjeden, og forårsake skader på helse og velvære.

NO



FEILSØKING

PROBLEM	ÅRSAK	LØSNING
Laderen fungerer ikke. LED1 blinker rødt, eller alle LED-lampene slukkes.	Batteripakke, adapter eller lader er defekt eller det er dårlig tilkobling mellom batteripakken, adapteren og laderen.	<ul style="list-style-type: none">■ Prøv å fjerne og sett inn batteripakken / adapteren i laderen.■ Prøv å fjerne og koble adapteren til batteripakken (for BAX1300).■ Prøv å bytte ut en adapter.■ Prøv å lade en annen batteripakke.■ Koble laderen fra, og vent til den røde LED-lampen slukkes før støpselet kobles til strømforsyningen igjen.
Laderen fungerer ikke, og LED1 lyser rødt.	Batteripakken er for varm eller for kald.	La batteripakken nå normal temperatur. Ladingen vil starte når batteripakken går tilbake til 3 °C – 57 °C (42 °C for BAX1300, 3°C -50°C for BA2240T).

NO GARANTI

EGOs GARANTIREGLER

Besøk nettsiden egopowerplus.com for å se fullstendige vilkår og betingelser for EGO-garantireglene.

ПРОЧИТАЙТЕ ВСЕ ИНСТРУКЦИИ!



ПРОЧИТАЙТЕ ВСЕ ИНСТРУКЦИИ!

⚠ Остаточные риски! Если вы используете электронные устройства, такие как кардиостимулятор, перед эксплуатацией данного устройства проконсультируйтесь с врачом. Использование электрооборудования в непосредственной близости от кардиостимулятора может привести к образованию помех и повреждению кардиостимулятора.

⚠ ПРЕДУПРЕЖДЕНИЕ. Чтобы обеспечить безопасность и надежность устройства, его ремонт должен выполнять квалифицированный специалист.

⚠ ПРЕДУПРЕЖДЕНИЕ. Этим устройством могут пользоваться дети старше 8 лет, а также лица с ограниченными физическими, сенсорными и умственными способностями или с недостаточным опытом и знаниями, если они находятся под присмотром или получили инструкции по безопасной эксплуатации устройства и понимают связанные с этим опасности. С этим устройством не должны играть дети. Дети не должны выполнять очистку и обслуживание устройства без присмотра.

СИМВОЛЫ БЕЗОПАСНОСТИ

Символы безопасности предназначены для привлечения внимания к возможным рискам. Символы безопасности, а также объяснения к ним, требуют особого внимания и понимания. Предупреждения по технике безопасности сами по себе не устраняют опасность. Инструкции и предупреждения не заменяют соответствующие меры по предотвращению несчастных случаев.

⚠ ПРЕДУПРЕЖДЕНИЕ. Перед использованием устройства внимательно прочитайте все инструкции в данном руководстве пользователя и ознакомьтесь с предупреждающими символами безопасности, такими как «ОПАСНОСТЬ», «ПРЕДУПРЕЖДЕНИЕ» и «ВНИМАНИЕ». Несоблюдение всех приведенных ниже инструкций может привести к поражению электрическим током, возникновению пожара и/или получению серьезных травм.

ИНСТРУКЦИИ ПО ТЕХНИКЕ БЕЗОПАСНОСТИ

Далее изображены и описаны символы безопасности, которые могут присутствовать на данном устройстве. Перед сборкой или использованием внимательно прочитайте все инструкции, приведенные на устройстве, и соблюдайте их.

	Предупреждение об опасности	Меры предосторожности, касающиеся безопасности
	Внимательно прочитайте руководство пользователя	Прочитайте руководство по эксплуатации, чтобы уменьшить риск получения травм.
	Для использования внутри помещений	Используйте устройство только внутри помещения.
	Конструкция класса II	Конструкция с двойной изоляцией.
	Плавкие вставки	Миниатюрная плавкая вставка с задержкой срабатывания
	CE	Соответствует основным требованиям стандартов безопасности Европейских директив.
	UKCA	данный продукт соответствует действующему законодательству Великобритании.
	WEEE	Неисправные электрические устройства нельзя выбрасывать вместе с бытовым мусором. Сдавайте их в авторизованные пункты сбора и утилизации.
V	Вольт	Напряжение
A	Амперы	Сила тока
Hz	Герц	Частота (оборотов в секунду)
W	Ватт	Мощность
min	Минуты	Время
	Переменный ток	Тип тока
	Постоянный ток	Тип или характеристика тока

⚠ ПРЕДУПРЕЖДЕНИЕ. Внимательно прочитайте все инструкции. Несоблюдение всех приведенных ниже инструкций может привести к поражению электрическим током, возникновению пожара и/или получению серьезных травм.

БЕЗОПАСНОСТЬ РАБОЧЕГО МЕСТА

- **Обеспечьте чистоту и освещенность рабочей зоны.** Загроможденные и плохо освещенные места служат причиной несчастных случаев.
- **Не используйте зарядное устройство EGO во взрывоопасных средах, например вблизи горючих жидкостей, газов или пыли.** Зарядное устройство генерирует искры, которые могут воспламенить пыль или испарения.

RU

ЭЛЕКТРОБЕЗОПАСНОСТЬ

- **Вилка электроинструмента должна соответствовать розетке.** Никогда не переделывайте вилку. Не используйте никакие переходники для вилок с заземлением. Использование оригинальных вилок и соответствующих им розеток уменьшают риск поражения электрическим током.
- **Не подвергайте зарядное устройство воздействию дождя или влажности.** При попадании воды в зарядное устройство увеличивается риск поражения электрическим током.
- **Обращайтесь с кабелем аккуратно.** Никогда не переносите, не тяните и не выключайте зарядное устройство за кабель. Не оставляйте кабель вблизи источников тепла, масла, острых предметов или движущихся частей. Поврежденные или запутанные кабели повышают опасность поражения электрическим током.
- **Избегайте прикосновений к заземленным объектам, таким как трубы, радиаторы, плиты и холодильники.** Существует повышенная опасность поражения электрическим током, если ваше тело заземлено.
- **Для работы с электроинструментом вне помещения используйте предназначенный для этого удлинительный кабель.** Использование кабеля, подходящего для использования вне помещения, снижает риск поражения электрическим током.
- Зарядное устройство EGO позволяет заряжать указанные ниже литий-ионные аккумуляторы.

ЗАРЯДНОЕ УСТРОЙСТВО	АККУМУЛЯТОРЫ
CH5500E	BA1120E, BA1400, BA2240E, BA2240T, BA2242T, BA2800, BA3360, BA4200, BA1400T, BA2800T, BA4200T, BA5600T, BA6720T

ОБСЛУЖИВАНИЕ

- **Обслуживание зарядного устройства должно производиться квалифицированным специалистом с использованием только идентичных запасных частей.** Это обеспечит безопасную работу зарядного устройства.
- **При выполнении сервисного обслуживания используйте только идентичные запасные части.** Следуйте инструкциям в разделе о выполнении обслуживания в данном руководстве. Использование неподходящих деталей или несоблюдение инструкций по обслуживанию может привести к поражению током или получению травмы.

ПРАВИЛА БЕЗОПАСНОСТИ ПРИ ОБРАЩЕНИИ С ЗАРЯДНЫМИ УСТРОЙСТВАМИ

86

УСТРОЙСТВО ДЛЯ БЫСТРОЙ ЗАРЯДКИ 56 В — CH5500E

⚠ ВНИМАНИЕ! Чтобы уменьшить риск поражения электрическим током или повреждения зарядного устройства, заряжайте только те литий-ионные аккумуляторные батареи, которые указаны на этикетке зарядного устройства. Аккумуляторы других типов могут взорваться и причинить вред здоровью людей и имуществу.

- Данное устройство не предназначено для использования лицами (в том числе детьми) с пониженными физическими, сенсорными или умственными способностями или имеющими недостаточный опыт или знания, если только они не находятся под присмотром или были проинструктированы по поводу использования устройства лицом, ответственным за их безопасность.
- Во избежание неправильного использования и возможных травм необходимо **перед использованием зарядного устройства** внимательно прочитать все инструкции и предупреждающие обозначения в данном руководстве, на зарядном устройстве, аккумуляторе и продукте, в котором он будет использоваться.
- **Не используйте зарядное устройство на открытом воздухе, а также под дождем или в условиях повышенной влажности.** При попадании воды в зарядное устройство увеличивается риск поражения электрическим током.
- **Не прикасайтесь к зарядному устройству, в том числе вилке и контактам, мокрыми руками.**
- **Использование принадлежностей, не рекомендованных производителем или не приобретенных у него, может привести к риску возгорания, поражения электрическим током или получения травмы.**
- **Заряжайте батареи только с помощью зарядного устройства, указанного изготовителем.** Зарядное устройство, предназначенное для одного типа аккумуляторных батарей, может стать причиной пожара при использовании с другим типом батарей.
- **Используйте кабель и зарядное устройство только надлежащим образом.** Никогда не переносите зарядное устройство за кабель питания. Не тяните за кабель зарядного устройства при отсоединении вилки. В противном случае это может привести к повреждению кабеля питания или зарядного устройства, а также к поражению электрическим током. Немедленно замените поврежденные кабели питания.
- **Убедитесь, что кабель зарядного устройства расположен в таком месте, где он не вступит в контакт с острыми краями, где на него не наступят, не зацепят и не повредят как-либо**

иначе. Это уменьшит риск случайных падений, которые могут стать причиной травмы пользователя и повреждения кабеля, которое может привести к поражению электрическим током.

- **Держите кабель и зарядное устройство подальше от источников тепла, чтобы избежать повреждения корпуса или внутренних деталей.**
- **Не допускайте попадания на пластиковые части бензина, продуктов на нефтяной основе и т. д.** В них содержатся химические вещества, которые могут повредить, ослабить или разрушить пластик.
- **Не используйте устройство с поврежденным кабелем питания или вилкой. Это может стать причиной короткого замыкания и поражения электрическим током.** В таком случае отремонтируйте или замените зарядное устройство у авторизованного квалифицированного специалиста сервисного центра EGO.
- **Не используйте зарядное устройство, если его ударили, уронили или как-либо иначе повредили.** Обратитесь к авторизованному квалифицированному специалисту, чтобы убедиться, что зарядное устройство находится в хорошем рабочем состоянии.
- **Не разбирайте зарядное устройство.** Если требуется обслуживание или ремонт устройства, передайте его авторизованному специалисту. Неправильная повторная сборка может привести к поражению электрическим током или пожару.
- **Для снижения риска поражения электрическим током перед выполнением технического обслуживания или очистки отключите зарядное устройство от электрической розетки.**
- **Когда зарядное устройство не используется, отсоедините его от источника питания.** Это уменьшит риск поражения электрическим током или повреждения зарядного устройства при попадании металлических предметов внутрь. Это также поможет предотвратить повреждение зарядного устройства при скачках напряжения.
- **Риск поражения электрическим током.** Не касайтесь незаизолированных частей выходного разъема или незаизолированных клемм аккумуляторной батареи.
- **Сохраните данные инструкции.** Регулярно просматривайте их и предоставляйте для ознакомления другим пользователям. Одалживая кому-либо устройство, передайте также данные инструкции для предотвращения неправильного использования и возможных травм.

ВАЖНЫЕ ИНСТРУКЦИИ ПО ТЕХНИКЕ БЕЗОПАСНОСТИ

- **Сохраните данные инструкции.** В данном руководстве содержится важная информация по технике безопасности и использованию устройства для быстрой зарядки 56 В CH5500E.

- **Перед использованием зарядного устройства прочитайте все инструкции и предупреждающие маркировки на нем, аккумуляторе и устройстве, в котором будет использоваться аккумулятор.**

⚠ ПРЕДУПРЕЖДЕНИЕ. При использовании электрического устройства необходимо строго соблюдать следующие меры безопасности.

- Чтобы уменьшить риск получения травм, будьте предельно внимательны при использовании устройства рядом с детьми.
- Используйте только принадлежности, рекомендованные или продающиеся производителем.
- Не используйте вне помещения.
- Для портативных устройств: во избежание риска поражения электрическим током не погружайте зарядное устройство в воду или любые другие жидкости. Не помещайте и не храните устройство в местах, где оно может упасть или попасть в ванну или раковину.

⚠ ВНИМАНИЕ! Чтобы уменьшить риск получения травм, заряжайте только литий-ионные аккумуляторные батареи. Аккумуляторы других типов могут взорваться и причинить вред здоровью людей и имуществу.

RU

ТЕХНИЧЕСКИЕ ХАРАКТЕРИСТИКИ

Входное напряжение зарядного устройства	220–240 В~, 50 Гц, 550 Вт
Выходное напряжение зарядного устройства	5-8 А, 56 В
Время быстрой зарядки	Прибл. 25 минут для аккумулятора BA1120E Прибл. 30 минут для аккумулятора BA1400/BA2240E/BA1400T/BA2240T/BA2242T Прибл. 40 минут для аккумулятора BA2800/BA2800T Прибл. 45 минут для аккумулятора BA3360 Прибл. 60 минут для аккумулятора BA4200/BA4200T Прибл. 190 минут для аккумулятора BAX1300 Прибл. 70 минут для аккумулятора BA5600T Прибл. 90 минут для аккумулятора BA6720T
Оптимальная температура зарядки	5°C–40°C

Масса зарядного устройства	1,9 кг
----------------------------	--------

ОПИСАНИЕ

ЧАСТИ ЗАРЯДНОГО УСТРОЙСТВА (Рис. А)

1. Крепежное отверстие
2. Вентиляционное отверстие для охлаждения
3. Светодиодные индикаторы
4. Электрические контакты
5. Мягкая рукоятка
6. Отверстие для крепления на стену

ИСПОЛЬЗОВАНИЕ

КАК ЗАРЯЖАТЬ АККУМУЛЯТОР

⚠ ПРЕДУПРЕЖДЕНИЕ. Не используйте зарядное устройство на открытом воздухе, а также под дождем или в условиях повышенной влажности. При попадании воды в зарядное устройство увеличивается риск поражения электрическим током.

ПРИМЕЧАНИЕ. Литий-ионный аккумулятор поставляется частично заряженным. Перед первым использованием его необходимо полностью зарядить.

1. Подключите зарядное устройство к источнику питания (220-240 В~, 50 Гц). Четыре светодиодных индикатора зарядки кратковременно мигнут зеленым, указывая на то, что зарядное устройство работает правильно.
2. Совместите выступающие ребра аккумулятора/адаптера с крепежными отверстиями на зарядном устройстве и вставьте аккумулятор/адаптер в зарядное устройство (Рис. В).

ПРИМЕЧАНИЕ. При выполнении зарядки аккумулятора ВАХ1300 сначала присоедините к нему адаптер.

3. Зарядное устройство установит связь с аккумулятором и оценит его состояние.
4. Когда аккумулятор заряжается, четыре светодиодных индикатора зарядки на зарядном устройстве будут последовательно светиться зеленым (слева направо), указывая на уровень заряда (см. Рис. С). Индикатор питания на аккумуляторе (ВА1120Е, ВА1400, ВА2240Е, ВА2800, ВА3360, ВА4200) мигает в следующей последовательности: красный, оранжевый и зеленый. При использовании аккумулятора ВАХ1300 светодиодный индикатор питания

отображает числовое значение емкости заряда. Последний из 5 светодиодных сегментов индикатора на аккумуляторе будет мигать зеленым (Для ВА1400Т, ВА2240Т, ВА2242Т, ВА2800Т, ВА4200Т, ВА5600Т, ВА6720Т). Вентилятор в зарядном устройстве постоянно работает для охлаждения аккумулятора..

5. Когда аккумулятор полностью зарядится, светодиодные индикаторы зарядки перестанут светиться последовательно и будут светиться постоянно. Индикатор питания на аккумуляторе перестанет светиться. Дождитесь, когда охлаждающий вентилятор выключится, извлеките аккумулятор/адаптер из зарядного устройства и отключите зарядное устройство от электросети.
6. Если оставить аккумулятор в зарядном устройстве, он полностью зарядится, но перезаряда не будет. Если аккумулятор (Кроме ВАХ1300) остается в зарядном устройстве на месяц или более, он производит самообслуживание и сбрасывает емкость заряда до 30%. В этом случае для полной зарядки аккумулятора извлеките его из зарядного устройства, а затем установите снова.

Описание частей на Рис. С

С-1	Светодиод 1	С-3	Светодиод 3
С-2	Светодиод 2	С-4	Светодиод 4

ПРИМЕЧАНИЕ.

- Значительное сокращение времени работы аккумулятора после полной зарядки указывает на то, что срок его службы подходит к концу и его необходимо заменить.
- Зарядное устройство может нагреваться во время зарядки. Это нормально. Заряжайте аккумулятор в хорошо проветриваемом помещении.

RU

ФУНКЦИИ СВЕТОДИОДОВ ЗАРЯДНОГО УСТРОЙСТВА

Для ВА1120Е, ВА1400, ВА2240Е, ВА2800, ВА3360, ВА4200

СВЕТОДИОДНЫЙ ИНДИКАТОР	АККУМУЛЯТОР	СВЕТОДИОД НА ЗАРЯДНОМ УСТРОЙСТВЕ				ИНДИКАТОР ПИТАНИЯ НА АККУМУЛЯТОРЕ	УРОВЕНЬ ЗАРЯДА АККУМУЛЯТОРА	ДЕЙСТВИЕ
		СВЕТОДИОД 1	СВЕТОДИОД 2	СВЕТОДИОД 3	СВЕТОДИОД 4			
	Неисправен	Мигает красным или не светится	Не светится	Од	Не светится	Не светится	—	Аккумулятор или зарядное устройство неисправны.
	Горячий/холодный аккумулятор	Светится красным	Не светится	Не светится	Не светится	Не светится	—	Зарядка возобновится, когда температура аккумулятора будет в пределах 3 – 57 °С.
	Зарядка	Мигает зеленым	Не светится	Не светится	Не светится	Последовательно мигает красным, оранжевым и зеленым	Меньше 25%	Зарядка
		Светятся зеленым попеременно		Не светится	Не светится		от 25% до 50%	Зарядка
		Светятся зеленым попеременно			Не светится		от 50% до 75%	Зарядка
		Светятся зеленым попеременно					от 75% до 90%	Зарядка
	Полностью заряжен	Светятся зеленым постоянно				Не светится	от 90% до 100%	Зарядка завершена. Поддержание заряда.
—	Самообслуживание	Периодически быстро мигает зеленым				Не светится	Прибл. 30%	Аккумулятор находится в режиме самообслуживания или в режиме ожидания. Чтобы зарядить аккумулятор, извлеките его из зарядного устройства, а затем установите снова.

RU

Для BA1400T, BA2240T, BA2242T, BA2800T, BA4200T, BA5600T, BA6720T

СВЕТОДИОДНЫЙ ИНДИКАТОР	АККУМУЛЯТОР	СВЕТОДИОД НА ЗАРЯДНОМ УСТРОЙСТВЕ				ИНДИКАТОР С 5 СВЕТОДИОДАМИ НА АККУМУЛЯТОРЕ	УРОВЕНЬ ЗАРЯДА АККУМУЛЯТОРА	ДЕЙСТВИЕ
		СВЕТОДИОД 1	СВЕТОДИОД 2	СВЕТОДИОД 3	СВЕТОДИОД 4			
	Неисправен	Мигает красным или не светится	Не светится	Од	Не светится	Не светится	—	Аккумулятор или зарядное устройство неисправны.
	Горячий/холодный аккумулятор	Светится красным	Не светится	Не светится	Не светится	Не светится	—	Зарядка возобновится, когда температура аккумулятора будет в пределах 3–57°C (Для BA1400T, BA2242T, BA2800T, BA4200T, BA5600T, BA6720T) 3–50°C (Для BA2240T).
	Зарядка	Мигает зеленым	Не светится	Не светится	Не светится	Последний сегмент мигает зеленым, остальные светятся зеленым.	Меньше 25%	Зарядка
		Светятся зеленым попеременно		Не светится	Не светится		от 25% до 50%	Зарядка
		Светятся зеленым попеременно			Не светится		от 50% до 75%	Зарядка
		Светятся зеленым попеременно					от 75% до 90%	Зарядка
	Полностью заряжен	Светятся зеленым постоянно				Не светится	от 90% до 100%	Зарядка завершена. Поддержание заряда.
—	Самообслуживание	Периодически быстро мигает зеленым				Не светится	Прибл. 30%	Аккумулятор находится в режиме самообслуживания или в режиме ожидания. Чтобы зарядить аккумулятор, извлеките его из зарядного устройства, а затем установите снова.

ЗАРЯДКА ГОРЯЧЕГО ИЛИ ХОЛОДНОГО АККУМУЛЯТОРА

Если аккумулятор находится за пределами нормального диапазона температур, светодиод 1 будет светиться красным. Когда аккумулятор остынет примерно до 57 °C (42 °C для BAХ1300, 50°C for BA2240T) или нагреется до 3 °C, зарядное устройство автоматически начнет заряжать его, а 4 светодиода будут светиться в нормальной последовательности.

НЕИСПРАВНЫЙ АККУМУЛЯТОР ИЛИ ЗАРЯДНОЕ УСТРОЙСТВО

Если имеется неисправность зарядного устройства, светодиод 1 будет мигать красным или все светодиоды не будут светиться.

ОПЛАТИТЬ BA1120E, BA1120E, BA11400, BA2240E, BA2242T, BA2800, BA3360, BA4200, BA1400T, BA2240T, BA2800T, BA4200T, BA5600T, BA6720T

1. Если обнаружена неисправность, извлеките аккумулятор из зарядного устройства, а затем установите снова. Если светодиоды по-прежнему указывают на неисправность, попробуйте зарядить другой аккумулятор.
2. Если другие аккумуляторы заряжаются нормально, утилизируйте неисправный аккумулятор (см. инструкции в руководстве для аккумуляторов).
3. Если при зарядке других аккумуляторов индикаторы снова указывают на неисправность, отключите зарядное устройство от электросети, дождитесь, пока мигающий индикатор 1 перестанет светиться, а затем снова подключите вилку зарядного устройства к источнику питания. Если индикатор 1 зарядного устройства снова указывает на неисправность, значит имеются проблемы с зарядным устройством.

ОПЛАТИТЬ ВАХ1300

1. Если обнаружена неисправность, извлеките аккумулятор с адаптером из зарядного устройства, а затем установите снова. Если светодиоды по-прежнему указывают на неисправность, попробуйте заменить адаптер или зарядить другой аккумулятор.
2. Если при использовании другого адаптера или аккумулятора зарядка выполняется нормально, утилизируйте неисправный адаптер или аккумулятор (см. инструкции в руководстве для аккумуляторов).
3. Если после замены аккумулятора с адаптером индикаторы снова указывают на неисправность, отключите зарядное устройство от электросети, дождитесь, пока мигающий индикатор 1 перестанет светиться, а затем снова подключите вилку зарядного устройства к источнику питания. Если индикатор 1 зарядного устройства снова указывает на неисправность, проблема может быть связана с зарядным устройством.

ОТВЕРСТИЯ ДЛЯ КРЕПЛЕНИЯ К СТЕНЕ

Зарядное устройство имеет крепежные отверстия для удобного хранения (Рис. А-6). Закрутите винты в стену на расстоянии 76 мм друг от друга. Используйте винты, имеющие достаточную прочность для удержания общего веса зарядного устройства и аккумулятора (прибл. макс. 4,1 кг).

ОБСЛУЖИВАНИЕ

⚠ ПРЕДУПРЕЖДЕНИЕ. Во избежание травм всегда извлекайте аккумулятор из инструмента перед чистой или обслуживанием.

⚠ ПРЕДУПРЕЖДЕНИЕ. При ремонте используйте только идентичные запасные части EGO. Использование других запасных частей может

привести к травмам или повреждению устройства.

⚠ ПРЕДУПРЕЖДЕНИЕ. Не рекомендуется использовать сухой сжатый воздух для чистки зарядного устройства. Если очистку можно выполнить только при помощи сжатого воздуха, всегда используйте защиту для глаз или защитные очки с боковыми щитками. Если во время работы появляется пыль, надевайте респиратор.

⚠ ПРЕДУПРЕЖДЕНИЕ. Если кабель питания поврежден, то во избежание поражения электрическим током его должен заменить изготовитель, его технический представитель или другой квалифицированный специалист.

ОБЩЕЕ ОБСЛУЖИВАНИЕ

Не используйте растворители для чистки пластмассовых деталей. Большинство пластиковых частей чувствительны к различным бытовым растворителям и могут быть повреждены. Для очистки от грязи, пыли, масла, смазки и т. п. используйте чистую ткань.

⚠ ПРЕДУПРЕЖДЕНИЕ. Не допускайте попадания на пластиковые части тормозной жидкости, бензина, продуктов на нефтяной основе, пролитывающих масел и т. д. Химические вещества могут повредить, ослабить или разрушить пластик, что приведет к получению серьезных травм.

⚠ ПРЕДУПРЕЖДЕНИЕ. При ремонте используйте только идентичные запасные части EGO. Использование других запасных частей может привести к травмам или повреждению устройства. Чтобы обеспечить безопасность и надежность устройства, его ремонт должен выполнять квалифицированный специалист сервисного центра EGO.

Защита окружающей среды



Не выбрасывайте электрооборудование, зарядные устройства, батареи и аккумуляторы вместе с бытовыми отходами!

В соответствии с европейским законом 2012/19/EU электрическое и электронное оборудование, которое не подлежит дальнейшей эксплуатации, а также непригодные и использованные батареи и аккумуляторы (согласно европейскому закону 2006/66/EC) должны быть утилизированы отдельно.

При утилизации электрических устройств на свалках в подземные воды могут просочиться опасные вещества, которые затем попадут в пищевую цепь и приведут к общему ухудшению здоровья и благополучия.

RU



УСТРАНЕНИЕ НЕИСПРАВНОСТЕЙ

ПРОБЛЕМА	ПРИЧИНА	РЕШЕНИЕ
Зарядное устройство не работает. Светодиод 1 мигает красным или все индикаторы не светятся.	Аккумулятор, адаптер или зарядное устройство неисправны или плохо соединены друг с другом.	<ul style="list-style-type: none">■ Попробуйте извлечь аккумулятор/адаптер из зарядного устройства, а затем установить снова.■ Отсоедините адаптер от аккумулятора и подсоедините снова (для ВАХ1300).■ Попробуйте заменить адаптер.■ Попробуйте зарядить другой аккумулятор.■ Отключите зарядное устройство от электросети, дождитесь, пока красный индикатор перестанет светиться, а затем снова подключите вилку зарядного устройства к источнику питания.supply.
Зарядное устройство не работает и светодиод 1 светится красным.	Аккумулятор слишком горячий или слишком холодный.	Дайте аккумулятору остыть или нагреться до нормальной температуры. Зарядка возобновится, когда температура аккумулятора будет в пределах 3 – 57 °С (42 °С для ВАХ1300, 3°С -50°С for ВА2240Т).

RU

ГАРАНТИЯ

ГАРАНТИЙНАЯ ПОЛИТИКА EGO

Посетите веб-сайт egopowerplus.com, чтобы ознакомиться со всеми условиями и сроками гарантийной политики EGO.

PRZECZYTAJ WSZYSTKIE INSTRUKCJE!



ZAPOZNAJ SIĘ Z INSTRUKCJĄ OPERATORA.

⚠ Ryzyko szczytkowe! Osoby z urządzeniami elektronicznymi, takimi jak rozruszniki serca, powinny przed użyciem produktu skonsultować się ze swoim(i) lekarzem/-ami. Używanie urządzeń elektrycznych blisko rozrusznika serca może spowodować zakłócenia lub uszkodzić rozrusznik.

⚠ OSTRZEŻENIE: Aby zagwarantować bezpieczeństwo i niezawodność, wszystkie naprawy powinny być wykonywane przez wykwalifikowanych techników serwisu.

⚠ OSTRZEŻENIE: Bez zapewnienia odpowiedniego nadzoru i pouczenia na temat bezpiecznej obsługi i zrozumienia zagrożeń urządzenie nie powinno być używane przez: dzieci w wieku od lat 8, osoby z ograniczeniami fizycznymi, czuciowymi lub psychicznymi a także osoby, którym brak jest doświadczenia lub wiedzy. Dzieci nie mogą bez nadzoru wykonywać czynności związanych z czyszczeniem i konserwacją.

SYMBOLE BEZPIECZEŃSTWA

Celem symboli bezpieczeństwa jest zwrócenie uwagi użytkownika na możliwe zagrożenia. Symbole bezpieczeństwa i objaśnienia do nich zasługują na to, by je uważnie przestudiować i zrozumieć. Symbole bezpieczeństwa nie eliminują same z siebie jakichkolwiek zagrożeń. Podawane w nich instrukcje i ostrzeżenia nie zastępują odpowiednich środków zapobiegania wypadkom.

⚠ OSTRZEŻENIE: Przed użyciem narzędzia prosimy przeczytać i zrozumieć wszystkie instrukcje dotyczące bezpieczeństwa podane w podręczniku użytkownika, łącznie z wszystkimi symbolami ostrzegawczymi takimi jak „NIEBEZPIECZEŃSTWO”, „OSTRZEŻENIE” i „UWAGA”. Niestosowanie się do wszystkich podanych niżej instrukcji może doprowadzić do porażenia prądem, pożaru i/lub poważnych obrażeń.

INSTRUKCJE DOTYCZĄCE BEZPIECZEŃSTWA

Na tej stronie pokazano i opisano symbole bezpieczeństwa, które mogą występować na produkcie. Przed podjęciem próby złożenia i użycia urządzenia należy przeczytać i zrozumieć wszystkie instrukcje dotyczące maszyny oraz zastosować się do nich.

	Ostrzeżenie dotyczące bezpieczeństwa	Ostrzeżenia istotne dla bezpieczeństwa użytkownika
	Przeczytaj instrukcję operatora	Aby ograniczyć ryzyko urazów, użytkownik musi przeczytać instrukcję operatora.
	Użytkowanie w pomieszczeniach	Urządzenia należy używać wyłącznie w pomieszczeniach
	Konstrukcja klasy II	Konstrukcja z podwójną izolacją
	Wkładki topikowe	Miniatura wkładka topikowa z opóźnieniem czasowym
	CE	Produkt jest zgodny z obowiązującymi dyrektywami WE.
	UKCA	Produkt jest zgodny z obowiązującym ustawodawstwem Wielkiej Brytanii.
	WEEE	Zużytych urządzeń elektrycznych nie należy wyrzucać razem ze zwykłymi odpadami domowymi. Należy je oddać do autoryzowanego punktu recyklingu.
V	Wolt	Napięcie
A	Ampery	Prąd
Hz	Herc	Częstotliwość (cykli na sekundę)
W	Wat	Moc
min	Minuty	Czas
	Prąd zmienny	Rodzaj prądu
	Prąd stały	Rodzaj lub charakterystyka prądu

⚠ OSTRZEŻENIE: Prosimy przeczytać ze zrozumieniem wszystkie instrukcje. Niestosowanie się do wszystkich podanych niżej instrukcji może doprowadzić do porażenia prądem, pożaru i/lub poważnych obrażeń.

BEZPIECZEŃSTWO W MIEJSCU PRACY

- **Należy dbać o czystość i dobre oświetlenie w miejscu pracy.** Nieporządek i złe oświetlenie sprzyjają wypadkom.
- **Ładowarki EGO nie należy używać w miejscach zagrożonych wybuchem, np. w obecności łatwopalnych cieczy, gazów lub pyłów.** Ładowarka wytwarza iskry, które mogą zapalić opary lub pył.

BEZPIECZEŃSTWO ELEKTRYCZNE

- **Wtyczki elektronarzędzi muszą pasować do**

PL

gniazdek. Nigdy w jakikolwiek sposób nie wolno przerabiać wtyczki. Do elektronarzędzi wymagających uziemienia nie należy używać przejściówek. Oryginalne wtyczki i pasujące do nich gniazda zmniejszają ryzyko porażenia prądem.

- **Ładowarkę należy chronić przed deszczem i wilgocią.** Woda dostająca się do ładowarki zwiększa ryzyko porażenia prądem.
- **Nie należy nadwyryzać przewodu.** Nigdy nie należy używać przewodu do noszenia lub ciągnięcia ładowarki; nie chwycić za przewód, w celu usunięcia wtyczki kontaktu. Przewód należy chronić przed gorącem, ropą, ostrymi krawędziami i poruszającymi się częściami. Zapłałone lub uszkodzone przewody zwiększają ryzyko porażenia prądem.
- **Należy unikać dotykania ciałem powierzchni uziemionych, takich jak np. rury, kaloryfery, kuchenki i lodówki.** Uziemienie ciała zwiększa ryzyko porażenia prądem.
- **Podczas używania elektronarzędzia na dworze należy stosować przedłużacz nadający się do użytkowania na dworze.** Używanie przewodu przeznaczonego do stosowania na dworze zmniejsza ryzyko porażenia prądem.
- Ładowarki EGO można używać do ładowania następujących akumulatorów litowo-jonowych EGO:

ŁADOWARKA	AKUMULATORY
CH5500E	BA1120E, BA1400, BA2240E, BA2240T, BA2242T, BA2800, BA3360, BA4200, BA1400T, BA2800T, BA4200T, BA5600T, BA6720T

SERWISOWANIE

- **Serwisowanie ładowarki należy powierzyć wykwalifikowanemu serwisantowi. Do napraw należy używać wyłącznie oryginalnych części zamiennych.** Zapewni to bezpieczeństwo eksploatacji ładowarki.
- **Podczas serwisowania ładowarki należy używać wyłącznie oryginalnych części zamiennych. Należy przestrzegać zaleceń podanych w części Konserwacja w niniejszej instrukcji.** Używanie części, które nie zostały zatwierdzone przez producenta lub niestosowanie się do instrukcji dotyczących konserwacji stwarza ryzyko porażenia prądem lub urazów.

ZASADY BEZPIECZEŃSTWA DOTYCZĄCE ŁADOWARKI

⚠ OSTROŻNIE: Aby ograniczyć ryzyko porażenia

prądem i uszkodzenia ładowarki lub akumulatora, należy ładować tylko te akumulatory litowo-jonowe, które zostały wymienione na etykiecie ładowarki. Inne rodzaje akumulatorów mogą wybuchnąć powodując urazy cielesne i uszkodzenia.

- Urządzenia nie powinny używać osoby (w tym dzieci) o ograniczeniach fizycznych, czuciowych lub psychicznych, ani osoby bez odpowiedniego doświadczenia lub wiedzy, chyba że opiekun odpowiedzialny za ich bezpieczeństwo nadzoruje wykonywane przez nie czynności lub poinstruował je wcześniej na temat obsługi urządzenia.
- **Przed użyciem ładowarki należy przeczytać wszystkie instrukcje i oznaczenia ostrzegawcze na ładowarce, akumulatorze i produkcie, w którym akumulator będzie używany – zapobiegnie to niewłaściwemu użytkowaniu produktów i ewentualnym urazom lub uszkodzeniom.**
- **Ładowarki nie należy używać na dworze ani narażać na wilgoć lub przemoczenie.** Woda dostająca się do ładowarki zwiększa ryzyko porażenia prądem.
- **Nie należy dotykać mokrymi rękoma ładowarki, w tym także jej wtyczki i wyprowadzeń.**
- **Używanie akcesoriów niezalecanych i niesprzedawanych przez producenta ładowarki stwarza ryzyko pożaru, porażenia prądem lub urazów osób.**
- **Do ładowania należy używać wyłącznie ładowarki wskazanej przez producenta.** Użycie ładowarki pochodzącej od jednego akumulatora do ładowania innego akumulatora grozi pożarem.
- **Nie należy nadwyryzać przewodu lub ładowarki.** Nigdy nie należy używać przewodu do noszenia ładowarki. W celu wyjęcia wtyczki z kontaktu nie należy ciągnąć za przewód ładowarki. Mogłoby wtedy dojść do uszkodzenia przewodu lub ładowarki, które mogłoby stwarzać ryzyko porażenia prądem. Uszkodzone przewody należy natychmiast wymieniać.
- **Przewód musi być poprowadzony w miejscu, w którym nikt nie będzie na niego stawał i w którym nie będzie on stwarzał ryzyka potknięcia się. Przewód nie może być narażony na zetknięcie się z poruszającymi się częściami lub uszkodzenie w inny sposób.** Dzięki temu zmniejszy się ryzyko przypadkowego upadku, który mógłby powodować urazy i uszkodzenie przewodu, a w konsekwencji również porażenie prądem.
- **Przewód i ładowarkę należy chronić przed gorącem, aby nie dopuścić do uszkodzenia**

obudowy lub podzespołów wewnętrznych.

- **Nie wolno dopuszczać do tego, aby produkty na bazie nafty, olejów, benzyny itp. zetknęły się z częściami plastikowymi.** Substancje te zawierają chemikalia, które mogą uszkodzić, osłabić lub zniszczyć plastik.
- **Nie należy używać ładowarki z uszkodzonym przewodem lub uszkodzoną wtyczką, gdyż mogłoby to doprowadzić do zwarcia lub porażenia prądem.** W przypadku uszkodzenia ładowarkę należy naprawić lub wymienić wyłącznie w autoryzowanym punkcie serwisowym EGO.
- **Nie należy używać ładowarki jeżeli została ona mocno uderzona, upuszczona lub uszkodzona w inny sposób.** Należy ją oddać serwisantowi w autoryzowanym punkcie serwisowym w celu przeprowadzenia kontroli elektrycznej i aby ustalić, czy ładowarka jest sprawna.
- **Ładowarki nie należy rozmontowywać.** Jeżeli urządzenie wymaga serwisowania lub naprawy, należy je oddać do autoryzowanego punktu serwisowego. Niewłaściwe złożenie po zdemontowaniu grozi porażeniem prądem lub pożarem.
- **Przed próbą wykonania jakichkolwiek czynności konserwacyjnych, aby zmniejszyć ryzyko porażenia prądem, należy wyjąć wtyczkę ładowarki z kontaktu.**
- **Gdy ładowarka nie jest używana, należy ją odłączyć od zasilania.** Zmniejszy to ryzyko porażenia prądem lub uszkodzenia ładowarki w przypadku, gdyby wpadł do niej jakiś metalowy przedmiot. Ponadto zapobiega to uszkodzeniu ładowarki w czasie skoków napięcia.
- **Ryzyko porażenia prądem.** Nie należy dotykać nieizolowanej części łączówki wyjściowej lub nieizolowanych wyprowadzeń akumulatora.
- **Prosimy zachować instrukcję.** Zachęcamy do częstego korzystania z niej. Instrukcja może też posłużyć do przeszkolenia innych osób, które będą używały narzędzia. Jeśli narzędzie zostanie komuś pożyczone, osobie tej należy również udostępnić niniejszą instrukcję, aby zapobiec niewłaściwemu użytkowaniu i możliwym urazom.

WAŻNE INSTRUKCJE DOTYCZĄCE BEZPIECZEŃSTWA

- **Prosimy zachować instrukcję.** Niniejsza instrukcja zawiera ważne zalecenia dotyczące bezpieczeństwa i obsługi szybkiej ładowarki 56 V CH5500E.
- **Przed użyciem ładowarki należy przeczytać wszystkie instrukcje i oznaczenia ostrzegawcze**

na ładowarce, akumulatorze i produkcie, w którym akumulator będzie używany.

⚠ OSTRZEŻENIE: Podczas używania urządzeń elektrycznych należy zawsze przestrzegać podstawowych zasad bezpieczeństwa, w tym następujących zaleceń:

- Aby zmniejszyć ryzyko obrażeń, w przypadku używania urządzenia w pobliżu dzieci należy zachować zdwojoną ostrożność.
- Należy używać wyłącznie osprzętu zalecanego lub sprzedawanego przez producenta.
- Nie używać na dworze.
- Narzędzia przenośne – aby zmniejszyć ryzyko porażenia prądem, ładowarki nie należy wkładać do wody lub innych płynów. Nie należy stawiać lub przechowywać urządzenia w miejscu, w którym może ono spaść lub zostać strącone do wanny lub zlewu.

⚠ OSTROŻNIE: Aby ograniczyć ryzyko urazów, należy używać wyłącznie akumulatorów litowo-jonowych. Inne rodzaje akumulatorów mogą wybuchnąć powodując urazy cięlesne i uszkodzenia.

PL

SPECYFIKACJA

Wejście ładowarki	220-240 V~ 50 Hz, 550W,
Wyjście ładowarki	5-8 A 56 V
Czas szybkiego ładowania	<p>Około 25 minut w przypadku akumulatora BA1120E</p> <p>Około 30 minut w przypadku akumulatora BA1400/BA2240E/BA1400T/BA2240T/BA2242T</p> <p>Około 40 minut w przypadku akumulatora BA2800/BA2800T</p> <p>Około 45 minut w przypadku akumulatora BA3360</p> <p>Około 60 minut w przypadku akumulatora BA4200/BA4200T</p> <p>Około 190 minut w przypadku akumulatora BAX1300</p> <p>Około 70 minut w przypadku akumulatora BA5600T</p> <p>Około 90 minut w przypadku akumulatora BA6720T</p>
Optymalna temperatura ładowania	5°C-40°C
Waga ładowarki	1,9 kg

OPIS

ZAPOZNANIE SIĘ Z ŁADOWARKĄ (Rys. A)

1. Szczelina mocująca
2. Otwory wentylacyjne zapewniające chłodzenia
3. Wskaźniki LED
4. Styki elektryczne
5. Miękki uchwyt
6. Otwór montażowy ścienny

UŻYTKOWANIE

JAK ŁADOWAĆ AKUMULATOR

⚠️ OSTRZEŻENIE: Ładowarki nie należy używać na dworze ani narażać na wilgoć lub przemoczenie. Woda dostająca się do ładowarki zwiększa ryzyko porażenia prądem.

UWAGA: Akumulatory litowo-jonowe zostają dostarczone w stanie częściowego naładowania. Przed pierwszym użyciem należy całkowicie naładować akumulator.

1. Podłączyć ładowarkę do źródła zasilania (220-240 V~ 50 Hz). Cztery diody LED będące wskaźnikami ładowania na krótko zapalą się na zielono, sygnalizując, że ładowarka pracuje prawidłowo.
2. Wyrównać wypukłe żebra akumulatora/adaptera względem szczelin mocujących w ładowarce; wsunąć akumulator/adapter do ładowarki (Rys. B).

UWAGA: W przypadku ładowania akumulatora BAX1300 należy najpierw podłączyć adapter do akumulatora.

3. Ładowarka nawiąże łączność z akumulatorem w celu ustalenia stanu jego naładowania.
4. Gdy akumulator będzie się ładował, cztery diody LED sygnalizacji ładowania będą się kolejno zapalały w ładowarce na zielono, od lewej do prawej strony. Wskaźniki będą pokazywały poziom naładowania; więcej informacji patrz Rys. C. Wskaźnik mocy w akumulatorze (BA1120E, BA1400, BA2240E, BA2800, BA3360, BA4200) będzie migał w następującej kolejności: czerwony, pomarańczowy i zielony lub wskaźnik mocy LCD na akumulatorze BAX1300 będzie wyświetlać numeryczną zmianę pojemności. Ostatni segment wskaźnika z 5 diodami LED na akumulatorze miga na zielono (Do modeli BA1400T, BA2240T, BA2242T, BA2800T, BA4200T, BA5600T, BA6720T). Wentylator w ładowarce pracuje przez cały czas chłodząc akumulator.
5. Gdy akumulator zostanie całkowicie naładowany, diody LED sygnalizacji ładowania przestaną migać i zaczną świecić światłem ciągłym. Zgaśnię wskaźnik mocy na akumulatorze. Należy odczekać aż wyłączy się wentylator chłodzący, wyjąć akumulator/adapter z ładowarki i odłączyć ładowarkę od zasilania.

6. W przypadku pozostawienia akumulatora na ładowarce akumulator zostanie całkowicie naładowany, ale nie przeladowany. Jeśli akumulator (z wyjątkiem BAX1300) zostanie pozostawiony w ładowarce przez miesiąc lub dłużej, wykona procedurę samoczynnej konserwacji, co spowoduje obniżenie jego pojemności do 30%. Jeśli do tego dojdzie, należy ponownie zainstalować akumulator w ładowarce i całkowicie go naładować.

Rys. C opis części patrz poniżej:

C-1	Dioda LED 1	C-3	Dioda LED 3
C-2	Dioda LED 2	C-4	Dioda LED 4

UWAGA:

- Istotnie krótszy czas pracy po pełnym naładowaniu akumulatora oznacza, że akumulator niemal nie nadaje się już do używania i wymaga wymiany.
- Podczas ładowania ładowarka może się nagrzewać. Jest to normalny efekt procesu ładowania. Ładowanie należy przeprowadzać w miejscach dobrze wentylowanych.

FUNKCJE DIOD LED ŁADOWARKI

Do modeli BA1120E, BA1400, BA2240E, BA2800, BA3360, BA4200

WSKAŹNIK LED	AKUMULATOR	DIODA LED NA ŁADOWARCE				WSKAŹNIK MOCY NA AKUMULATORZE	AKUMULATOR	DZIAŁANIE
		LED1	LED2	LED3	LED4			
	Uszkodzenie	Miganie na czerwono lub wyłączenie	Wył.	Wył.	Wył.	Wył.	—	Uszkodzony akumulator lub ładowarka.
	Zimny/ Gorący akumulator	Świecenie na czerwono	Wył.	Wył.	Wył.	Wył.	—	Ładowanie rozpocznie się, gdy temperatura akumulatora wróci do przedziału 3°C-57°C.
	Ładowanie	Miganie na zielono	Wył.	Wył.	Wył.	Miganie na przemian na czerwono, pomarańczowo i zielono	Poniżej 25%	Ładowanie
		Świecenie na zielono światłem przerywanym	Wył.	Wył.	—		Od 25% do 50%	Ładowanie
		Świecenie na zielono światłem przerywanym	Wył.	—	—		Od 50% do 75%	Ładowanie
		Świecenie na zielono światłem przerywanym	—	—	—		Od 75% do 90%	Ładowanie
	Całkowicie naładowany	Świecenie na zielono światłem ciągłym	—	—	Wył.	—	Od 90% do 100%	Ładowanie dobiegło końca. Ładowanie konserwacyjne.
—	Samoczynna konserwacja	Sporadyczne miganie na zielono	—	—	Wył.	—	Ok. 30%	Akumulator wykonuje procedurę samoczynnej konserwacji lub znajduje się w trybie uśpienia. Należy ponownie zainstalować akumulator w ładowarce i całkowicie go naładować.

PL

Do modeli BA1400T, BA2240T, BA2242T, BA2800T, BA4200T, BA5600T, BA6720T

WSKAŹNIK LED	AKUMULATOR	DIODA LED NA ŁADOWARCE				WSKAŹNIK Z 5 DIODAMI LED NA AKUMULATORZE	AKUMULATOR	DZIAŁANIE
		LED1	LED2	LED3	LED4			
	Uszkodzenie	Miganie na czerwono lub wyłączenie	Wyl.	Wyl.	Wyl.	Wyl.	—	Uszkodzony akumulator lub ładowarka.
	Zimny/ Gorący akumulator	Świecenie na czerwono	Wyl.	Wyl.	Wyl.	Wyl.	—	Ładowanie rozpocznie się, gdy temperatura akumulatora wróci do przedziału 3°C-57°C (Do modeli BA1400T, BA2242T, BA2800T, BA4200T, BA5600T, BA6720T)/3°C-50°C (Do modeli BA2240T).
	Ładowanie	Miganie na zielono	Wyl.	Wyl.	Wyl.	Ostatni segment miga na zielono, reszta świeci na zielono	Poniżej 25%	Ładowanie
		Świecenie na zielono światłem przerywanym	Wyl.	Wyl.	Od 25% do 50%		Ładowanie	
		Świecenie na zielono światłem przerywanym	Wyl.	Od 50% do 75%	Ładowanie			
		Świecenie na zielono światłem przerywanym	Wyl.	Od 75% do 90%	Ładowanie			
	Całkowicie naładowany	Świecenie na zielono światłem ciągłym	Wyl.	Wyl.	Wyl.	Wyl.	Od 90% do 100%	Ładowanie dobiegło końca. Ładowanie konserwacyjne.
—	Samoczynna konserwacja	Sporadyczne miganie na zielono	Wyl.	Wyl.	Wyl.	Wyl.	Ok. 30%	Akumulator wykonuje procedurę samoczynnej konserwacji lub znajduje się w trybie uśpienia. Należy ponownie zainstalować akumulator w ładowarce i całkowicie go naładować.

ŁADOWANIE GORĄCEGO LUB ZIMNEGO AKUMULATORA

Jeżeli temperatura akumulatora wykracza poza normalny zakres, dioda LED1 będzie się świecić na czerwono. Gdy akumulator ostygnie do mniej więcej 57°C (42°C w przypadku BAX1300, 50°C for BA2240T) lub ogrzeje się do ponad 3°C, ładowarka automatycznie rozpocznie ładowanie i 4 diody LED będą normalnie świeciły sekwencyjnie.

USZKODZONY AKUMULATOR LUB USZKODZONA ŁADOWARKA

Jeżeli ładowarka wykryje jakiś problem, czerwona dioda LED1

zacznie migać na czerwono lub wszystkie diody LED zgasną.

BA1120E, BA1400, BA2240E, BA2242T, BA2800, BA3360, BA4200, BA1400T, BA2240T, BA2800T, BA4200T, BA5600T, BA6720T

1. Jeżeli akumulator zostanie uznany za niesprawny, należy go wyjąć i włożyć ponownie do ładowarki. Jeżeli diody LED po raz kolejny sygnalizują stan „niesprawny”, należy spróbować wymienić akumulator.
2. Jeżeli inny akumulator zachowuje się normalnie, uszkodzony akumulator należy zutylizować (patrz zalecenia podane w instrukcji do akumulatora).
3. Jeżeli inny akumulator również sygnalizuje stan

„niesprawny”, należy odłączyć ładowarkę i odczekać, aż skończy się miganie diody LED1, następnie należy ponownie podłączyć wtyczkę do zasilania. Jeśli dioda LED1 na ładowarce nadal sygnalizuje usterkę, być może uszkodzona jest ładowarka.

TO CHARGE BAX1300

1. Jeżeli akumulator zostanie uznany za niesprawny, należy go wyjąć i podłączyć akumulator z ładowarką za pomocą adaptera. Jeżeli diody LED po raz drugi zasygnalizują stan „niesprawny”, należy spróbować wymienić adapter na nowy lub naładować inny akumulator.
2. Jeżeli inny adapter lub akumulator ładuje się w normalny sposób, uszkodzony adapter lub akumulator należy zutylizować (patrz zalecenia podane w instrukcji do akumulatora).
3. Jeżeli akumulator i adapter są wymieniane razem i sygnalizowany jest stan „niesprawny”, należy odłączyć ładowarkę i odczekać, aż skończy się miganie diody LED1, następnie należy ponownie podłączyć wtyczkę do zasilania. Jeśli dioda LED1 na ładowarce nadal sygnalizuje usterkę, być może uszkodzona jest ładowarka.

OTWORY DO MOCOWANIA NA ŚCIANIE

Ładowarka ma otwory do zawieszania na ścianie w celu wygodnego przechowywania (Rys. A-6). Śruby należy zainstalować w ścianie w odległości 76 mm od siebie. Należy użyć śrub wystarczająco mocnych, aby utrzymać łączną wagę ładowarki i akumulatora (w przybliżeniu maksymalnie 4,1 kg).

KONSERWACJA

⚠ OSTRZEŻENIE: Aby uniknąć poważnych obrażeń ciała, na czas czyszczenia lub wykonywania prac konserwacyjnych należy zawsze wyjmować z narzędzia akumulator.

⚠ OSTRZEŻENIE: Podczas serwisowania należy używać wyłącznie części zamiennych EGO identycznych z oryginalnymi. Używanie jakichkolwiek innych części stwarza ryzyko i może spowodować usterkę produktu.

⚠ OSTRZEŻENIE: Jako metody czyszczenia ładowarki nie zaleca się używania sprężonego suchego powietrza. Jeśli czyszczenie sprężonym powietrzem jest jedyną możliwą metodą, wówczas na czas czyszczenia należy zakładać gogle ochronne lub okulary ochronne z osłonami bocznymi. Jeżeli praca powoduje pylenie, należy zakładać także maskę przeciwpyłową.

⚠ OSTRZEŻENIE: Jeżeli kabel zasilający zostanie uszkodzony, aby uniknąć niebezpiecznych sytuacji, należy

go wymienić. Wymiany powinien dokonać producent, przedstawiciel jego serwisu lub inne osoby o podobnych kwalifikacjach.

KONSERWACJA OGÓLNA

Podczas czyszczenia części plastikowych należy unikać używania rozpuszczalników. Pod wpływem kontaktu z różnego rodzaju rozpuszczalnikami dostępnymi w handlu większość tworzyw może ulec uszkodzeniu. Do usuwania zabrudzeń, kurzu, oleju, smaru itp. należy używać czystych ściereczek.

⚠ OSTRZEŻENIE: Nigdy nie należy dopuszczać do zetknięcia się części plastikowych z substancjami takimi jak płyn hamulcowy, benzyna, produkty ropopochodne, oleje penetrujące itp. Substancje chemiczne mogą uszkodzić, osłabić lub zniszczyć tworzywa, co może w konsekwencji spowodować poważne obrażenia.

⚠ OSTRZEŻENIE: Podczas serwisowania należy używać wyłącznie części zamiennych EGO identycznych z oryginalnymi. Używanie jakichkolwiek innych części stwarza ryzyko i może spowodować usterkę produktu. Aby zagwarantować bezpieczeństwo i niezawodność, wszystkie naprawy powinny być wykonywane przez wykwalifikowanych serwisantów w punkcie serwisowym EGO.

PL

Ochrona środowiska



Urządzeń elektrycznych, ładowarki do akumulatorów oraz akumulatorów/baterii akumulatorowych nie należy wyrzucać do zwykłych zmieszanych śmieci domowych!

Zgodnie z dyrektywami Wspólnoty Europejskiej, odpowiednio nr 2012/19/WE i 2006/66/WE, urządzenia elektryczne i elektroniczne nienadające się dłużej do użycia oraz uszkodzone lub zużyte akumulatory/baterie trzeba zbierać oddzielnie.

Wyrzucanie urządzeń elektrycznych na wysypisko grozi wyciekami niebezpiecznych substancji do wód gruntowych i przedostaniem się ich do łańcucha pokarmowego, ze szkodą dla zdrowia i jakości życia użytkownika.

ROZWIĄZYWANIE PROBLEMÓW

PROBLEM	PRZYCZYNA	ROZWIĄZANIE
Ładowarka nie działa. Dioda LED1 miga na czerwono lub wszystkie diody LED gasną.	Akumulator, adapter lub ładowarka jest uszkodzony/-a lub połączenie między nimi jest niskiej jakości.	<ul style="list-style-type: none">■ Spróbować wyjąć akumulator/adapter i włożyć go ponownie do ładowarki.■ Spróbować wyjąć i ponownie podłączyć adapter do akumulatora (dotyczy modelu BAX1300).■ Spróbować wymienić adapter■ Naładuj inny akumulator.■ Odłączyć ładowarkę i odczekać, aż zgaśnie dioda LED, a następnie ponownie podłączyć wtyczkę do zasilania.
Ładowarka nie działa i dioda LED1 pali się na czerwono.	Akumulator jest zbyt gorący lub zbyt zimny.	Pozwolić akumulatorowi wrócić do normalnej temperatury. Ładowanie rozpocznie się, gdy temperatura akumulatora wróci do przedziału 3°C-57°C (42°C w przypadku BAX1300, 3°C -50°C for BA2240T).

GWARANCJA

PL

POLITYKA GWARANCYJNA EGO

W celu zapoznania się z wszystkimi warunkami polityki gwarancyjnej EGO prosimy odwiedzić stronę egopowerplus.com.

PŘEČTĚTE SI VŠECHNY POKYNY!



PŘEČTĚTE SI NÁVOD K OBSLUZE

▲ Zbytkové riziko! Lidé s elektronickými přístroji, jako jsou např. kardiostimulátory, by se měli před použitím tohoto výrobku poradit se svým lékařem. Použití elektrického zařízení v těsné blízkosti kardiostimulátoru může způsobit narušení činnosti nebo poruchu kardiostimulátoru.

▲ VAROVÁNÍ: Z důvodu bezpečnosti by měl všechny opravy provádět kvalifikovaný servisní technik.

▲ VAROVÁNÍ: Toto zařízení mohou používat děti od 8 let a osoby s omezeními fyzickými, smyslovými nebo duševními schopnostmi nebo nedostatkem zkušeností a znalostí, pokud jsou tyto osoby pod dohledem, nebo byly řádně poučeny ohledně použití zařízení bezpečným způsobem a chápou možná rizika spojená s jeho používáním. Děti si nesmí se zařízením hrát. Čištění a údržbu nesmějí provádět děti, pokud nejsou pod dohledem dospělé osoby.

BEZPEČNOSTNÍ SYMBOLY

Účelem bezpečnostních symbolů je upoutat vaši pozornost k případným nebezpečím. Bezpečnostní symboly a jejich vysvětlení vyžadují vaši zvýšenou pozornost a porozumění. Výstražné symboly samy o sobě nevylučují žádné nebezpečí. Pokyny a varování nejsou náhradou vhodných opatření pro prevenci úrazů.

▲ VAROVÁNÍ: Před použitím tohoto nástroje si přečtěte a seznámte se se všemi bezpečnostními pokyny v tomto návodu k obsluze včetně veškerých výstražných symbolů, jako např. „**NEBEZPEČÍ**“, „**VAROVÁNÍ**“ nebo „**UPOZORNĚNÍ**“. Nedodržení níže uvedených pokynů může mít za následek úraz elektrickým proudem, požár a nebo vážná poranění osob.

BEZPEČNOSTNÍ POKYNY

Na této stránce jsou zobrazeny a popsány bezpečnostní symboly, které se mohou objevit na výrobku. Před montáží a provozem si přečtěte, seznámte se a dodržujte veškeré pokyny ke stroji.

	Bezpečnostní upozornění	Bezpečnostní opatření týkající se vaší bezpečnosti
	Přečtěte si návod k obsluze	Z důvodu snížení rizika úrazu si musí uživatel přečíst návod k obsluze.

	Použití v interiéru	Toto zařízení použijte výhradně v interiéru
	Konstrukce třídy II	Dvojitě izolovaná konstrukce
T6,3A 	Tavné pojistky	Miniaturní tavná pojistka s tepelným jištěním
	CE	Tento výrobek je v souladu s platnými směrnici ES.
	UKCA	Tento výrobek je v souladu s příslušnou britskou legislativou.
	WEEE	Odpadní elektrické výrobky se nesmí likvidovat s domovním odpadem. Odevzdejte do autorizovaného recyklačního střediska.
V	Voltů	Napětí
A	Ampérů	Proud
Hz	Hertzů	Frekvence (počet cyklů za sekundu)
W	Wattů	Výkon
min	Minut	Doba
	Střídavý proud	Druh proudu
	Stojnostný proud	Druh nebo vlastnosti proudu

VAROVÁNÍ: Přečtěte si a seznámte se se všemi pokyny. Nedodržení níže uvedených pokynů může mít za následek úraz elektrickým proudem, požár a nebo vážná poranění osob.

BEZPEČNOST NA PRACOVIŠTI

- **Pracoviště udržujte v čistotě a dostatečně osvětlené.** Zaneřáděné a tmavé prostory bývají častou příčinou úrazů.
- **Nabíječku EGO nepoužívejte ve výbušném prostředí, jako např. s výskytem hořlavých kapalin, plynů nebo prachu.** Nabíječka je zdrojem jiskření, které může zapálit prach nebo výpary.

ELEKTRICKÁ BEZPEČNOST

- **Zástrčky elektrického nářadí musí odpovídat zásuvkám.** Zástrčku nikdy nijak neupravujte. S uzemněným elektrickým nářadím nepoužívejte žádné rozbočovací zásuvky. Neupravené zástrčky a shodné zásuvky snižují riziko úrazu elektrickým proudem.
- **Nabíječku chráňte před deštěm a vlhkem.** Voda nikakivací do nabíječky zvyšuje riziko úrazu elektrickým proudem.

GZ

- **Kabel nepoužívejte k jiným účelům.** Nikdy nepoužívejte kabel k přenášení, tahání nebo odpojování nabíječky z elektrické sítě. Kabely chráňte před horkem, olejem, ostrými hranami nebo pohyblivými díly. Poškozené nebo spletené kabely zvyšují riziko úrazu elektrickým proudem.
- **Vyhýbejte se kontaktu s uzemněnými plochami, například trubkami, radiátory, sporáky a lednicemi.** Pokud jste uzemněni, hrozí vám vyšší riziko úrazu elektrickým proudem.
- **Pokud používáte elektrické nářadí venku, použijte prodlužovací kabel vhodný pro venkovní použití.** Použití kabelu vhodného pro venkovní použití snižuje riziko úrazu elektrickým proudem.
- Nabíječku EGO lze použít k nabíjení následujících lithium-iontových akumulátorů EGO:

NABÍJEČKA	AKUMULÁTORY
CH5500E	BA1120E, BA1400, BA2240E, BA2240T, BA2242T, BA2800, BA3360, BA4200, BA1400T, BA2800T, BA4200T, BA5600T, BA6720T

CZ

SERVIS

- **Servis vaší nabíječky svěřte kvalifikovanému opraváři, který používá pouze originální náhradní díly.** Tím zajistíte bezpečnost nabíječky.
- **Při opravě nabíječky používejte pouze originální náhradní díly. Řiďte se pokyny v části tohoto návodu věnované údržbě.** Použití neschválených dílů nebo nedodržení pokynů k údržbě může vyvolat riziko úrazu elektrickým proudem nebo úrazu.

BEZPEČNOSTNÍ ZÁSADY PRO POUŽITÍ NABÍJEČKY

⚠ UPOZORNĚNÍ: Chcete-li snížit riziko úrazu elektrickým proudem nebo poškození nabíječky nebo akumulátoru, nabíjejte pouze lithium-iontové nabíjecí akumulátory uvedené na štítku vaší nabíječky. Ostatní typy akumulátorů mohou prasknout a způsobit tak úraz nebo škody.

- Zařízení není určeno pro používání osobami (včetně dětí) s omezenými fyzickými, smyslovými nebo duševními schopnostmi nebo nedostatkem zkušeností a znalostí, pokud tyto osoby nejsou pod dohledem nebo nejsou řádně poučeny odpovědnou osobou o bezpečném používání zařízení.
- **Před použitím nabíječky akumulátorů si přečtěte všechny pokyny a varovné symboly v tomto návodu, na nabíječce, akumulátoru a výrobku, který akumulátor používá, aby nedošlo k nesprávnému použití výrobků a případnému úrazu nebo škodám.**

- **Nabíječku nepoužívejte venku ani ji nevystavujte mokrému nebo vlhkému prostředí.** Voda vnikající do nabíječky zvyšuje riziko úrazu elektrickým proudem.
- **Nedotýkejte se nabíječky, zástrčky ani kontaktů nabíječky mokřma rukama.**
- **Použití příslušenství, které nedoporučuje nebo neprodává výrobce nabíječky akumulátorů může vést k riziku vzniku požáru, úrazu elektrickým proudem nebo úrazu osob.**
- **K nabíjení používejte pouze nabíječku doporučenou výrobcem.** Nabíječka vhodná pro jeden typ akumulátoru může způsobit požár při použití s jiným typem akumulátoru.
- **Kabel ani nabíječku nepoužívejte k jiným účelům.** Nikdy nepoužívejte kabel k přenášení nabíječky. Nikdy netahajte za kabel nabíječky, abyste odpojili zástrčku ze zásuvky. Může dojít k poškození kabelu nebo nabíječky, které představuje riziko úrazu elektrickým proudem. Poškozený kabel okamžitě vyměňte.
- **Dbejte, aby byl kabel umístěn tak, aby se na něj nestoupalo, nezakoplo o něj, nepřišel do styku s ostrými hranami nebo pohyblivými částmi, nebo nebyl vystaven jinému poškození nebo namáhání.** Sníží se tak riziko neúmyslných pádů, které mohou způsobit úraz nebo poškodit kabel, což může následně vést k úrazu elektrickým proudem.
- **Chráňte kabel a nabíječku před teplem, aby nedošlo k poškození pouzdra nebo vnitřních částí.**
- **Dbejte, aby nedošlo ke styku plastových částí s benzinem, oleji, ropnými produkty atd.** Tyto materiály obsahují chemické látky, které mohou poškodit, zeslabit nebo zničit plast.
- **Nepoužívejte nabíječku s poškozeným kabelem nebo poškozenou zásuvkou, což může způsobit zkrat a úraz elektrickým proudem.** V případě poškození nechejte nabíječku opravit nebo vyměnit autorizovaným servisním technikem v servisním středisku společnosti EGO.
- **Nepoužívejte nabíječku, pokud utrhla prudkou ránu, spadla na zem, nebo byla jinak poškozená.** Odneste ji autorizovanému servisnímu technikovi, který elektrickou kontrolou zjistí, zda je nabíječka v dobrém stavu.
- **Nabíječku nerozebírejte.** Pokud potřebuje servis nebo opravu, odneste ji autorizovanému servisnímu technikovi. Nesprávná montáž může způsobit úraz elektrickým proudem nebo požár.
- **Před údržbou nebo čištěním odpojte nabíječku z elektrické zásuvky, aby se snížilo riziko úrazu elektrickým proudem.**

- **Pokud nabíječku nepoužíváte, odpojte ji z elektrické sítě.** Sníží se tím riziko úrazu elektrickým proudem nebo poškození nabíječky, pokud do otvoru spadnou kovové předměty. Zabráníte tím také poškození nabíječky při přepětí.
- **Nebezpečí úrazu elektrickým proudem.** Nedotýkejte se neizolovaných částí výstupního konektoru nebo neizolovaného pólu akumulátoru.
- **Tyto pokyny uschovejte pro budoucí použití.** Používejte je často a také k poučení dalších osob, které mohou toto nářadí používat. Pokud nářadí někomu půjčíte, půjčte mu také tento návod k obsluze, aby nedošlo k nesprávnému použití výrobků nebo případně k úrazu.

DŮLEŽITÉ BEZPEČNOSTNÍ POKYNY

- **Tyto pokyny uschovejte pro budoucí použití.** Tento návod obsahuje důležité bezpečnostní a provozní pokyny pro 56V rychlonabíječku CH5500E.
- **Před použitím nabíječky akumulátorů si přečtete všechny pokyny a varovné symboly na nabíječce akumulátorů, akumulátoru a výrobku, který akumulátor používá.**

⚠ VAROVÁNÍ: Při používání elektrických zařízení je nutno vždy dodržovat základní bezpečnostní opatření, mimo jiné:

- Pokud přístroj používáte v blízkosti dětí, snížíte riziko úrazu, pokud budou pod dohledem dospělé osoby.
- Používejte pouze příslušenství doporučené nebo prodávané výrobcem.
- Nepoužívejte spotřebič venku.
- U přenosného zařízení – chcete-li snížit riziko úrazu elektrickým proudem, neponořujte nabíječku do vody ani jiných tekutin. Neukládejte ani neskladujte zařízení na místě, kde může spadnout, nebo být vtaženo do vany nebo umyvadla.

⚠ UPOZORNĚNÍ: Chcete-li snížit riziko úrazu, nabíjejte pouze lithium-iontové nabíjecí akumulátory. Ostatní typy akumulátorů mohou prasknout a způsobit tak úraz nebo škody.

SPECIFIKACE

Vstup nabíječky	220-240 V~ 50 Hz, 550W,
Výstup nabíječky	5-8 A 56 V

Doba nabíjení	Přibližně 25 minut pro akumulátor BA1120E Přibližně 30 minut pro akumulátor BA1400/BA2240E/BA1400T/BA2240T/BA2242T Přibližně 40 minut pro akumulátor BA2800/BA2800T Přibližně 45 minut pro akumulátor BA3360 Přibližně 60 minut pro akumulátor BA4200/BA4200T Přibližně 190 minut pro akumulátor BAX1300 Přibližně 70 minut pro akumulátor BA5600T Přibližně 90 minut pro akumulátor BA6720T
Optimální teplota nabíjení	5°C-40°C
Hmotnost nabíječky	1,9 kg

POPIS

SEZNAMTE SE S VAŠÍ NABÍJEČKOU (obr. A)

1. Instalační drážka
2. Ventilační otvor
3. LED kontrolky
4. Elektrické kontakty
5. Měkká rukojeť
6. Závěsný otvor

POUŽITÍ

JAK NABÍT AKUMULÁTOR

⚠ VAROVÁNÍ: Nabíječku nepoužívejte venku ani ji nevystavujte mokrému nebo vlhkému prostředí. Voda vnikající do nabíječky zvyšuje riziko úrazu elektrickým proudem.

POZNÁMKA: Lithium-iontové akumulátory se dodávají částečně nabitě. Před prvním použitím akumulátor plně nabijte.

1. Zapojte nabíječku do elektrické sítě (220–240 V ~ 50 Hz). Čtyři LED kontrolky nabíjení se krátce zeleně rozsvítí, což znamená, že nabíječka pracuje správně.
2. Zarovnejte výčnělky na akumulátoru/adaptéru s montážními drážkami v nabíječce; akumulátor/adaptér zasuněte do nabíječky (obr. B).

POZNÁMKA: Pokud nabijíte akumulátor BAX1300, nejprve připojte adaptér k baterii.

3. Nabíječka bude komunikovat s akumulátorem z důvodu vyhodnocení stavu akumulátorů.

GZ

- Když se akumulátor nabíjí, rozsvěčují se LED kontrolky nabíjení zeleně, postupně zleva doprava a signalizují úroveň nabití, viz obr. C. Kontrolka napájení na akumulátoru (BA1120E, BA1400, BA2240E, BA2800, BA3360, BA4200) se postupně rozblíká: červená, oranžová a zelená nebo kontrolka napájení LCD na akumulátoru BAX1300 zobrazí číselnou nabíjecí kapacitu. Poslední (pátý) segment LED kontrolky akumulátora bude blikat zeleno (pre BA1400T, BA2240T, BA2242T, BA2800T, BA4200T, BA5600T, BA6720T). Ventilátor v nabíječce průběžně pracuje a ochlazuje akumulátor.
- Když je akumulátor zcela nabitý, LED kontrolky nabíjení přestanou blikat a rozsvítí se zeleně. Kontrolka napájení na akumulátoru zhasne. Počkejte, až se zastaví chladicí ventilátor, vyberte akumulátor/adaptér z nabíječky a odpojte nabíječku z elektrické sítě.
- Pokud necháte akumulátor v nabíječce, plně se nabije,

ale nepřebíje se. Pokud zůstane akumulátor (kromě BAX1300) v nabíječce po dobu jednoho měsíce nebo déle, provede automatickou údržbu a kapacita nabití klesne na 30 %. Pokud k tomu dojde, zasaďte akumulátor znovu na nabíječku, aby se plně nabil.

Obr. C, následuje popis dílů:

C-1	LED kontrolka 1	C-3	LED kontrolka 3
C-2	LED kontrolka 2	C-4	LED kontrolka 4

POZNÁMKA:

- Výrazně zkrácená doba provozu po plném nabití akumulátoru ukazuje, že je akumulátor téměř na konci své životnosti a musí se vyměnit.
- Nabíječka se může během nabíjení zahřívát. Je to součástí běžného provozu nabíječky. Nabíjejte na dobře větraném místě.

FUNKCE LED KONTROLEK NABÍJEČKY

Pre BA1120E, BA1400, BA2240E, BA2800, BA3360, BA4200

LED KONTROLKA	AKU-MULÁTOR	LED KONTROLKA NA NABÍJEČCE				KONTROLKA NABÍTÍ AKU-MULÁTORU	VÝKON AKU-MULÁTORU	ČINNOST
		LED KON-TROLKA 1	LED KON-TROLKA 2	LED KON-TROLKA 3	LED KON-TROLKA 4			
	Defective/Vadný	Bliká červeně nebo se vypne	Vypnuto	Vypnuto	Vypnuto	Vypnuto	—	Akumulátor v nabíječce je vadný.
	Studený/teplý akumulátor	Svítil červeně	Vypnuto	Vypnuto	Vypnuto	Vypnuto	—	Nabíjení začne, jakmile se teplota akumulátoru vrátí do rozmezí 3–57 °C.
	Nabíjení	Bliká zeleně	Vypnuto	Vypnuto	Vypnuto	Flashing red, orange and green alternately	Méně než 25 %	Nabíjení
		Bliká střídavě zeleně	Vypnuto	Vypnuto	Vypnuto		25 až 50 %	Nabíjení
		Bliká střídavě zeleně	Vypnuto	Vypnuto	Vypnuto		50 až 75 %	Nabíjení
		Bliká střídavě zeleně	Vypnuto	Vypnuto	Vypnuto		75 až 90 %	Nabíjení
	Plně nabitý	Svítil zeleně	Vypnuto	Vypnuto	Vypnuto	90 až 100 %	Nabíjení je dokončeno. Údržbové nabíjení.	
—	Automatická údržba	Bliká rychle přerušovaně zeleně	Vypnuto	Vypnuto	Vypnuto	Cca 30 %	Akumulátor provádí automatickou údržbu, nebo přejde do režimu spánku. Znovu nasadte akumulátor na nabíječku, aby se plně nabil.	

pro BA1400T, BA2240T, BA2242T, BA2800T, BA4200T, BA5600T, BA6720T

LED KONTROLKA	AKU- MULÁTOR	LED KONTROLKA NA NABÍJEČCE				5-LED INDIKÁTOR NA AKU- MULÁTORU	VÝKON AKU- MULÁTORU	ČINNOST
		LED KON- TROLKA 1	LED KON- TROLKA 2	LED KON- TROLKA 3	LED KON- TROLKA 4			
	Defec- tive/Vadný	Bliká červeně nebo se vypne	Vypnuto	Vypnuto	Vypnuto	Vypnuto	—	Akumulátor v nabíječce je vadný.
	Studený/ teplý aku- mulátor	Svítil červeně	Vypnuto	Vypnuto	Vypnuto	Vypnuto	—	Nabíjení začne, jakmile se teplota akumulátoru vrátí do rozmezí 3–57°C (Pro BA1400T, BA2242T, BA2800T, BA4200T, BA5600T, BA6720T) 3–50°C (Pro BA2240T).
	Nabíjení	Bliká zeleně	Vypnuto	Vypnuto	Vypnuto	Poslední segment bliká zeleně, ostatní svítí zeleně	Méně než 25 %	Nabíjení
		Bliká střídavě zeleně	Vypnuto	Vypnuto	Vypnuto		25 až 50 %	Nabíjení
		Bliká střídavě zeleně			Vypnuto		50 až 75 %	Nabíjení
		Bliká střídavě zeleně					75 až 90 %	Nabíjení
	Plně nabitý	Svítil zeleně			Vypnuto	90 až 100 %	Nabíjení je dokončeno. Údržbově nabíjení.	
—	Auto- matická údržba	Bliká rychle přerušovaně zeleně			Vypnuto	Cca 30 %	Akumulátor provádí automatickou údržbu, nebo přejde do režimu spánku. Znovu nasadte akumulátor na nabíječku, aby se plně nabil.	

GZ

NABÍJENÍ HORKÉHO NEBO STUDENÉHO AKUMULÁTORU

Pokud se akumulátor ocitne mimo běžné rozmezí teplot, rozsvítí se LED kontrolka 1 červeně. Jakmile se akumulátor zchladí na přibližně 57 °C (42 °C pro BAX1300, 50 °C for BA2240T), nebo se zahřeje na více než 3 °C, zahájí nabíječka automaticky nabíjení a 4 LED kontrolky budou blikat v běžném pořadí.

VADNÝ AKUMULÁTOR NEBO VADNÁ NABÍJEČKA

Pokud nabíječka detekuje problém, začne LED kontrolka 1 blikat červeně, nebo všechny LED kontrolky zhasnou.

NABÍJENÍ BA1120E, BA1400, BA2240E, BA2242T, BA2800, BA3360, BA4200, BA1400T, BA2240T, BA2800T, BA4200T, BA5600T, BA6720T

1. Pokud je označen jako vadný, akumulátor vyjměte a znovu nasadte na nabíječku. Pokud LED kontrolky signalizují „vadný“ i podruhé, zkuste nabít jiný akumulátor.
2. Pokud se jiný akumulátor nabíjí normálně, zlikvidujte vadný akumulátor (viz pokyny v návodu k akumulátoru).
3. Pokud je i jiný akumulátor označen jako „vadný“ odpojte nabíječku z elektrické sítě a počkejte, až zhasne blikající LED kontrolka 1, a pak ji znovu zapojte. Pokud se na nabíječce znovu rozsvítí LED kontrolka 1, může být nabíječka vadná.

NABÍJENÍ BAX1300

1. Pokud zpozorujete, že je chybný, vyberte a znovu připojte akumulátor a nabíječku s adaptérem. Pokud LED dioda i podruhé identifikuje „chybu“, zkuste vyměnit adaptér nebo nabit jiný akumulátor.
2. Pokud se jiný adaptér nebo akumulátor nabíjí normálně, zlikvidujte chybný adaptér nebo akumulátor (postupujte podle pokynů v návodě pro akumulátor).
3. Pokud jsou jiný adaptér i akumulátor rovněž označeny jako „chybné“, odpojte nabíječku a počkejte, dokud blikající LED1 zhasne, potom znovu připojte k napájení. Pokud LED1 dioda na nabíječce stále zobrazuje chybu, může být chybná nabíječka.

ZÁVĚSNÉ OTVORY

Nabíječka je vybavena závěsnými otvory pro praktické skladování (obr. A-6). Našroubujte do stěn šrouby ve vzdálenosti 76 mm od sebe. Použijte dostatečně silné šrouby, aby udržely celkovou hmotnost nabíječky a akumulátoru (maximálně přibližně 4,1 kg).

ÚDRŽBA

CZ

VAROVÁNÍ: Aby nedošlo k vážnému úrazu, vždy při čištění nebo jiné údržbě vyjměte z nářadí akumulátor.

VAROVÁNÍ: Při opravách používejte pouze originální náhradní díly společnosti EGO. Použití jiných dílů může být rizikem nebo způsobit poškození výrobku.

VAROVÁNÍ: K čištění nabíječky se nedoporučuje používat suchý stlačený vzduch. Pokud je čištění stlačeným vzduchem jedinou alternativou, vždy při čištění nářadí používejte ochranné brýle nebo ochranné brýle s bočními kryty. Pokud při použití vzniká prach, noste protiprachový respirátor.

VAROVÁNÍ: Poškozený napájecí kabel musí vyměnit výrobce, servisní technik či jiná kvalifikovaná osoba.

CELKOVÁ ÚDRŽBA

K čištění plastových dílů nepoužívejte rozpouštědla. Většina plastů je náchylná k poškození různými typy komerčních rozpouštědel a jejich použití je může poškodit. K odstranění nečistot, prachu, oleje, maziva atd. použijte čistý hadr.

VAROVÁNÍ: Dbejte, aby nikdy nedošlo ke styku plastových částí s brzdovými kapalinami, benzinem, ropnými produkty, penetračními oleji atd. Chemické látky mohou poškodit, zeslabit nebo poškodit plast, což může vést k vážnému úrazu.

VAROVÁNÍ: Při opravách používejte pouze originální náhradní díly společnosti EGO. Použití jiných dílů může být rizikem nebo způsobit poškození výrobku. Z důvodu bezpečnosti by měl všechny opravy provádět kvalifikovaný servisní technik v servisním středisku společnosti EGO.

Ochrana životního prostředí



Elektrické zařízení, nabíječku a baterie/nabíjecí baterie nevhazujte do domovního odpadu!

Podle směrnice Evropského parlamentu a Rady 2012/19/EU se musí odpadní elektrická a elektronická zařízení a podle směrnice 2006/66/ES vadné nebo použité akumulátory/baterie sbírat odděleně.

Pokud se elektrická zařízení likvidují na zavážkách nebo skládkách, mohou do podzemní vody prosáknout nebezpečné látky, dostat se do potravního řetězce a poškodit tak vaše zdraví a zdravotní stav.

ODSTRAŇOVÁNÍ PROBLÉMŮ

PROBLÉM	PŘÍČINA	ŘEŠENÍ
Nabíječka nefunguje. LED kontrolka 1 bliká červeně, nebo všechny LED kontrolky zhasly.	Akumulátor, adaptér nebo nabíječka jsou chybné, nebo zlé spojení mezi akumulátorem, adaptérem a nabíječkou.	<ul style="list-style-type: none"> ■ Vyzkoušejte vybrat a znovu vložit akumulátor/adaptér do nabíječky. ■ Pokuste se odpojit a připojit adaptér k baterii (pro model BAX1300). ■ Zkuste vyměnit adaptér. ■ Zkuste nabít jiný akumulátor. ■ Odpojte nabíječku z elektrické sítě a počkejte, až zhasne červená LED kontrolka, a pak ji znovu zapojte.
Nabíječka nefunguje a LED kontrolka 1 svítí červeně.	Akumulátor je příliš horký nebo studený.	Nechejte akumulátor, aby dosáhl běžné teploty. Nabíjení začne, jakmile se teplota akumulátoru vrátí do rozmezí 3–57 °C (42 °C pro BAX1300, 3°C -50°C for BA2240T).

ZÁRUKA

ZÁRUKA SPOLEČNOSTI EGO

Úplné záruční podmínky společnosti EGO naleznete na webové stránce egopowerplus.com.

CZ

PREČÍTAJTE SI VŠETKY POKYNY!



**PREČÍTAJTE SI
NÁVOD NA OBSLUHU.**

⚠ Potenciálne riziká! Ľudia s elektronickými zariadeniami, ako sú napríklad kardiostimulátory, sa musia pred použitím tohto výrobku poradiť so svojim lekárom. Použitie elektrických zariadení v tesnej blízkosti kardiostimulátora by mohlo spôsobiť rušenie alebo zlyhanie kardiostimulátora.

⚠ VAROVANIE: Pre zaistenie bezpečnosti a spoľahlivosti je nevyhnutné, aby všetky opravy vykonával len kvalifikovaný servisný technik.

⚠ VAROVANIE: Tento spotrebič môžu používať deti od 8 rokov a osoby s obmedzenými fyzickými, zmyslovými alebo duševnými schopnosťami alebo nedostatkom skúseností a znalostí, ak sú pod dohľadom, alebo boli riadne poučené ohľadne použitia spotrebiča bezpečným spôsobom a chápu možné riziká spojené s jeho používaním. Deti sa nesmú so spotrebičom hrať. Čistenie a údržbu nesmú robiť deti, ak nie sú pod dohľadom dospelé osoby.

SK

BEZPEČNOSTNÉ SYMBOLY

Účelom bezpečnostných symbolov je upozorniť vás na možné nebezpečenstvá. Venujte príslušnú pozornosť a pochopte bezpečnostné symboly a ich vysvetlenia. Varovné symboly, samy o sebe, nedokážu eliminovať nebezpečenstvo. Pokyny a varovania, ktoré obsahujú, nie sú náhradou za vhodné opatrenia na prevenciu úrazov.

⚠ VAROVANIE: Pred použitím tohto nástroja si prečítajte a pochopte všetky bezpečnostné pokyny v tomto návode na obsluhu, vrátane všetkých bezpečnostných výstražných symbolov, ako sú „**NEBEZPEČENSTVO**“, „**VAROVANIE**“ a „**UPOZORNENIE**“. Nedodržanie nižšie uvedených pokynov môže mať za následok úraz elektrickým prúdom, požiar a / alebo vážne zranenie.

BEZPEČNOSTNÉ POKYNY

Táto strana zobrazuje a popisuje bezpečnostné symboly, ktoré sa objavujú na tomto výrobku. Pred pokusom o zostavenie a prevádzkovanie si prečítajte, pochopte a dodržiavajte všetky pokyny na stroji.

	Bezpečnostné upozornenie	Opatrenia, ktoré sa týkajú vašej bezpečnosti
	Prečítajte si návod na obsluhu.	Ak chcete znížiť riziko zranenia, musíte si prečítať návod na obsluhu.
	Vnútorne použitie	Používajte toto zariadenie iba v interiéri
	Konštrukcia triedy II	Konštrukcia s dvojistou izoláciou
T6,3A 	Tavné poistky	Tavná poistka s časovým oneskorením
	CE	Tento výrobok je v súlade s platnými smernicami ES.
	UKCA	Tento výrobok je v súlade s príslušnou britskou legislatívou.
	WEEE	Nepotrebné elektrické výrobky sa nesmú likvidovať spolu s domovým odpadom. Odovzdajte do autorizovaného recyklačného strediska.
V	Volt	Napätie
A	Ampéry	Prúd
Hz	Hertz	Frekvencia (cyklov za sekundu)
W	Watt	Výkon
min	Minúty	Čas
	Striedavý prúd	Typ prúdu
	Jednosmerný prúd	Typ alebo charakteristika prúdu

⚠ VAROVANIE: Prečítajte si a dodržiavajte všetky pokyny. Nedodržanie nižšie uvedených pokynov môže mať za následok úraz elektrickým prúdom, požiar a / alebo vážne zranenie.

BEZPEČNOSŤ PRACOVISKA

- **Udržiavajte pracovisko čisté a dobre osvetlené.** Neporiadok a trnivé priestory vedú k úrazom.
- **Nepoužívajte nabíjačku EGO vo výbušnom prostredí, napríklad v prítomnosti horľavých kvapalín, plynov alebo prachu.** Nabíjačka môže vytvárať iskry, ktoré môžu zapáliť prach alebo výpary.

ELEKTRICKÁ BEZPEČNOSŤ

- **Pripojovacia zástrčka musí zodpovedať zásuvke.** Nikdy neupravujte zástrčku akýmkoľvek spôsobom.

Nepoužívajte žiadne rozbočovacie zástrčky s uzemneným elektrickým náradím. Neupravené zástrčky a vhodné zásuvky obmedzia nebezpečenstvo úrazu elektrickým prúdom.

- **Nevystavujte nabíjačku dažďu alebo vlhkým podmienkam.** Voda, ktorá vnikne do nabíjačky, zvyšuje nebezpečenstvo úrazu elektrickým prúdom.
- **Nezaťažujte kábel.** Nikdy nepoužívajte kábel na nosenie, ťahanie alebo odpájanie nabíjačky. Udržujte kábel v dostatočnej vzdialenosti od zdrojov tepla, oleja, ostrých hrán alebo pohyblivých častí. Poškodené alebo zamotané káble zvyšujú riziko úrazu elektrickým prúdom.
- **Zabráňte kontaktu tela s uzemnenými povrchmi, ako sú rúry, radiátory, sporáky a chladničky.** Dochádza k zvýšeniu rizika úrazu elektrickým prúdom, ak je vaše telo uzemnené.
- **Ak pracujete s elektrickým náradím vonku, použite predlžovací kábel vhodný na vonkajšie použitie.** Použitie kábla vhodného na vonkajšie použitie znižuje riziko úrazu elektrickým prúdom.
- Nabíjačka EGO môže nabíjať lítium-iónové akumulátory EGO uvedené nižšie:

NABÍJAČKA	AKUMULÁTOR
CH5500E	BA1120E, BA1400, BA2240E, BA2240T, BA2242T, BA2800, BA3360, BA4200, BA1400T, BA2800T, BA4200T, BA5600T, BA6720T

OPRAVA

- **Nechajte vašu nabíjačku opraviť kvalifikovanou osobou s použitím iba identických náhradných dielov.** Tým sa zabezpečí, že bezpečnosť nabíjačky zostane zachovaná.
- **Pri servise nabíjačky používajte iba identické náhradné diely. Postupujte podľa pokynov v kapitole Údržba tohto návodu.** Použitie neautorizovaných dielov alebo nedodržanie pokynov na údržbu môže vytvoriť nebezpečenstvo úrazu elektrickým prúdom alebo zranenie.

BEZPEČNOSTNÉ PRAVIDLÁ PRE NABÍJAČKY

⚠ POZOR: Ak chcete zamedziť riziku úrazu elektrickým prúdom alebo poškodeniu nabíjačky a batérie, nabíjajte iba tie lítium-iónové dobíjacie batérie, ktoré sú výslovne uvedené štítku na vašej nabíjačky. Iné typy batérií môžu prasknúť a spôsobiť zranenie alebo poškodenie.

- Prístroj nie je určený na používanie osobami (vrátane detí) s obmedzenými fyzickými, zmyslovými alebo duševnými schopnosťami alebo nedostatkom skúseností

a znalostí, ak tieto osoby nie sú pod dohľadom alebo nie sú riadne poučené, čo sa týka použitia prístroja, zo strany osoby zodpovednej za ich bezpečnosť.

- **Pred použitím nabíjačky** si prečítajte všetky pokyny a varovné symboly v tomto návode na obsluhu a na nabíjačke, batérii a na výrobu, ktorý poháňa batéria, aby sa zabránilo zneužitiu výrobkov a možnému zraneniu alebo poškodeniu.
- **Nepoužívajte nabíjačku vonku a nevystavujte ju mokrým alebo vlhkým podmienkam.** Voda, ktorá vnikne do nabíjačky, zvyšuje nebezpečenstvo úrazu elektrickým prúdom.
- **Nesiahajte s mokrými rukami na nabíjačku, vrátane konektora alebo terminálov nabíjačky.**
- **Použitie prislúšenstva, ktoré nie je odporúčané výrobcom nabíjačky, môže viesť k riziku požiaru, úrazu elektrickým prúdom alebo poraneniu osôb.**
- **Nabíjajte iba nabíjačkou určenou výrobcom.** Nabíjačka vhodná pre jeden typ akumulátora môže spôsobiť riziko požiaru pri použití s iným akumulátorom.
- **Nezneužívajte kábel alebo nabíjačku.** Nikdy nepoužívajte kábel na prenášanie nabíjačky. Neťahajte za kábel nabíjačky, ak chcete odpojiť zástrčku zo zásuvky. Mohlo by dôjsť k poškodeniu kábla alebo nabíjačky, čo vytvára nebezpečenstvo úrazu elektrickým prúdom. Poškodené káble ihneď vymeňte.
- **Zabezpečte, aby kábel bol umiestnený tak, že nebude možné naň šliapať, zakopnúť o neho, nepride do kontaktu s ostrými hranami alebo pohyblivými časťami, inak by mohlo dôjsť k jeho poškodeniu alebo namáhaniu.** Tým sa zníži riziko náhodných pádov, ktoré by mohli spôsobiť zranenie a poškodenie kábla, čo by následne mohlo viesť k úrazu elektrickým prúdom.
- **Chráňte kábel a nabíjačku pred pôsobením vysokého tepla, aby nedošlo k poškodeniu krytu alebo vnútorných súčastí.**
- **Nedovoľte, aby benzín, oleje, ropné produkty atď. prišli do kontaktu s plastovými časťami.** Tieto materiály obsahujú chemikálie, ktoré môžu poškodiť, oslabiť alebo zničiť plast.
- **Neprevádzkujte nabíjačku s poškodeným káblom alebo zástrčkou, pretože by to mohlo spôsobiť skrat a úraz elektrickým prúdom.** V prípade poškodenia nechajte nabíjačku opraviť alebo vymeniť autorizovaným servisným technikom v servisnom centre EGO.
- **Nepoužívajte nabíjačku, ak došlo k prudkému nárazu, k jej pádu, alebo bola inak akýmkoľvek**

SK

spôsobom poškodená. Odneste ju autorizovanému servisnému technikovi na elektrickú kontrolu, ktorý určí, či je nabíjačka v dobrom stave.

- **Nerozoberajte nabíjačku.** Odneste ju autorizovanému servisnému technikovi v prípade, že je nevyhnutný servis alebo oprava. Nesprávne zmontovanie môže spôsobiť úraz elektrickým prúdom alebo požiar.
- **Pred začatím akejkoľvek údržby alebo čistenia, za účelom zníženia rizika úrazu elektrickým prúdom, odpojte nabíjačku od elektrickej zásuvky.**
- **Keď nabíjačku nepoužívate, odpojte ju od elektrickej siete.** Tým sa zníži riziko úrazu elektrickým prúdom a poškodenie nabíjačky, ak by kovové predmety spadli do otvoru. Tiež sa tým zabráni poškodeniu nabíjačky pri prepätí.
- **Nebezpečenstvo úrazu elektrickým prúdom!** Nedoťahajte sa neizolovanej časti výstupného konektoru alebo neizolovaných batériových svoriek.
- **Odložte si tieto pokyny.** Používajte ich často a poučte o používaní pokynov aj ostatných, ktorí môžu tento nástroj používať. Ak požičiate tento prístroj niekomu inému, požičajte mu aj tieto pokyny, aby sa zabránilo zneužitiu výrobku a prípadným zraneniam.

SK

DÔLEŽITÉ BEZPEČNOSTNÉ POKYNY

- **Odložte si tieto pokyny.** Tento návod obsahuje dôležité bezpečnostné a prevádzkové pokyny pre 56 V rýchlonabíjačku CH5500E.
- **Pred použitím nabíjačky si prečítajte všetky pokyny a varovné symboly na nabíjačke, batérii a výrobku, ktorý batéria bude poháňať.**

⚠ VAROVANIE: Pri používaní elektrického spotrebiča sa musia dodržiavať základné bezpečnostné opatrenia, vrátane nasledovných:

- Za účelom zníženia rizika zranenia sa vyžaduje prísny dohľad, ak je spotrebič používaný v blízkosti detí.
- Používajte len doplnky odporučené alebo predávané výrobcom.
- Nepoužívajte vonku.
- Pre prenosné prístroje - Aby sa znížilo riziko úrazu elektrickým prúdom, nedávajte nabíjačku do vody alebo inej tekutiny. Nekladte ani neskladujte zariadenie na miestach, kde môže spadnúť alebo byť vtiahnuté do vane alebo umývadla.

⚠ POZOR: Ak chcete znížiť riziko zranenia, nabíjajte len lítium-iónové dobíjacie batérie. Iné typy batérií môžu vybuchnúť a spôsobiť zranenie alebo poškodenie.

TECHNICKÉ ÚDAJE

Vstup nabíjačky	220-240 V~ 50 Hz, 550W,
Výstup nabíjačky	5-8 A 56 V 
Čas rýchleho nabijania	Približne 25 minút pre akumulátor BA1120E Približne 30 minút pre akumulátor BA1400/BA2240E/BA1400T/BA2240T/BA2242T Približne 40 minút pre akumulátor BA2800/BA2800T Približne 45 minút pre akumulátor BA3360 Približne 60 minút pre akumulátor BA4200/BA4200T Približne 190 minút pre akumulátor BAX1300 Približne 70 minút pre akumulátor BA5600T Približne 90 minút pre akumulátor BA6720T
Optimálna teplota nabijania	5°C-40°C
Hmotnosť nabíjačky	1,9 kg

POPIS

ZOZNÁMTE SA S VAŠOU NABÍJAČKOU (obr. A)

1. Montážny otvor
2. Chladiaci vzduchový otvor
3. LED kontrolky
4. Elektrické kontakty
5. Mäkké držadlo
6. Otvor pre montáž na stenu

OBSLUHA

AKO NABÍJAŤ AKUMULÁTOR

⚠ VAROVANIE: Nepoužívajte nabíjačku vonku a nevystavujte ju mokrým alebo vlhkým podmienkam. Voda, ktorá vnikne do nabíjačky, zvyšuje nebezpečenstvo úrazu elektrickým prúdom.

POZNÁMKA: Lítium-iónové akumulátory sa dodávajú čiastočne nabité. Pred prvým použitím akumulátor úplne nabite.

1. Zapojte nabíjačku do elektrickej siete (220-240 V ~ 50 Hz). Štyri nabíjacie LED kontrolky nakrátko zasvietia na zeleno, čo znamená, že nabíjačka pracuje správne.

2. Zarovnajite výčnelky na akumulátore/adaptéri s montážnymi drážkami v nabíjačke; akumulátor/adaptér zasunite do nabíjačky (obr. B).

POZNÁMKA: Ak nabíjate akumulátor BAX1300, najprv pripojte adaptér k batérii.

3. Nabíjačka začne komunikovať s akumulátorom na vyhodnotenie stavu batérie.
4. Keď sa batéria nabíja, štyri LED kontrolky nabíjania na nabíjačke zasvietia na zeleno v poradí zľava doprava pre oznámenie úrovne nabitia; pozrite si obr. C. Kontrolka napájania na akumulátore (BA1120E, BA1400, BA2240E, BA2800, BA3360, BA4200) sa postupne rozblíka: červená, oranžová a zelená alebo kontrolka napájania LCD na akumulátore BAX1300 zobrazí číselnú nabíjaciu kapacitu. Posledný (piaty) segment LED kontrolky akumulátora bude blikať zeleno (pre BA1400T, BA2240T, BA2242T, BA2800T, BA4200T, BA5600T, BA6720T). Ventilátor v nabíjačke priebežne pracuje a ochladzuje akumulátor.
5. Keď je akumulátor plne nabitý, rozsvietené zelené LED prestanú blikať a budú svietiť nepretržite zeleno. Kontrolka

napájania na akumulátore zhasne. Počkajte, až sa zastaví chladiaci ventilátor, vyberte akumulátor/adaptér z nabíjačky a odpojte nabíjačku od elektrickej siete.

6. Ak akumulátor zostane v nabíjačke, úplne sa nabije, avšak nebude sa prebijať. Ak batéria (okrem BAX1300) zostane v nabíjačke po dobu jedného mesiaca alebo viac, bude vykonávať automatickú údržbu a klesne na 30% nabíjacej kapacity. Ak k tomu dôjde, vyberte a znovu vložte akumulátor do nabíjačky na jeho úplné dobitie.

Obr. C Popis dielov si pozrite nižšie:

C-1	LED kontrolka 1	C-3	LED kontrolka 3
C-2	LED kontrolka 2	C-4	LED kontrolka 4

POZNÁMKA:

- Výrazne skrátená doba chodu po plnom nabití akumulátora znamená, že batérie sú takmer na konci svojej životnosti a musia byť vymenené.
- Nabíjačka sa môže počas nabíjania zahrievať. To je súčasťou bežnej prevádzky nabíjačky. Nabíjanie v dobre vetranom priestore.

FUNKCIE LED NA NABÍJAČKE

Pre BA1120E, BA1400, BA2240E, BA2800, BA3360, BA4200

LED KONTROLKA	AKU-MULÁTOR-OVÁ BATÉRIA	LED NA NABÍJAČKE				KONTROLKA NAPÁJANIA NA AKU-MULÁTORE	ENERGIA AKU-MULÁTORA	AKCIA
		LED1	LED2	LED3	LED4			
	Chybná	Blika červená alebo nesvieti	Vyp	Vyp	Vyp	Vyp	—	Akumulátor alebo nabíjačka sú chybné.
	Studená/teplá batéria	Svieti červená	Vyp	Vyp	Vyp	Vyp	—	Nabíjanie začne, keď sa akumulátor vráti na 3 °C - 57 °C.
	Nabíjanie	Blika zelená	Vyp	Vyp	Vyp	Striedavé blikanie červenej, oranžovej a zelenej	Menej ako 25%	Nabíjanie
		Striedavo svieti zelená		Vyp	Vyp		25% až 50%	Nabíjanie
		Striedavo svieti zelená		Vyp			50% až 75%	Nabíjanie
		Striedavo svieti zelená					75% až 90%	Nabíjanie
	Úplne nabitá	Nepretržite svieti zelená				Vyp	90% až 100%	Nabíjanie je dokončené. Udržiavacie dobíjanie.
—	Automatická údržba	Prerušovane rýchlo blikajúca zelená				Vyp	Pribl. 30%	Batérie vykonáva automatickú údržbu alebo je v režime spánku. Vyberte a znovu vložte akumulátor do nabíjačky na jeho úplné dobitie.

Pre BA1400T, BA2240T, BA2242T, BA2800T, BA4200T, BA5600T, BA6720T

LED KONTROLKA	AKU-MULÁTOR-OVÁ BATÉRIA	LED NA NABÍJAČKE				5-LED INDIKÁTOR NA AKU-MULÁTORE	ENERGIA AKU-MULÁTORA	AKCIA
		LED1	LED2	LED3	LED4			
	Chybná	Bliká červená alebo nesvieti	Vyp	Vyp	Vyp	Vyp	—	Akumulátor alebo nabíjačka sú chybné.
	Studená/ teplá batéria	Svieti červená	Vyp	Vyp	Vyp	Vyp	—	Nabíjanie začne, keď sa akumulátor vráti na 3°C - 57°C (Pre BA1400T, BA2242T, BA2800T, BA4200T, BA5600T, BA6720T)/3°C - 50°C (Pre BA2240T).
	Nabíjanie	Bliká zelená	Vyp	Vyp	Vyp	Posledný segment bliká zeleno, ostatné svietia zeleno	Menej ako 25%	Nabíjanie
		Striedavo svieti zelená	Vyp	Vyp			25% až 50%	Nabíjanie
		Striedavo svieti zelená	Vyp				50% až 75%	Nabíjanie
		Striedavo svieti zelená					75% až 90%	Nabíjanie
	Úplne nabitá	Nepretržite svieti zelená				Vyp	90% až 100%	Nabíjanie je dokončené. Udržiavacie dobíjanie.
—	Automatická údržba	Prerušované rýchlo blikajúca zelená				Vyp	Pribl. 30%	Batérie vykonáva automatickú údržbu alebo je v režime spánku. Vyberte a znovu vložte akumulátor do nabíjačky na jeho úplné dobítie.

SK

NABÍJANIE HORÚCEHO ALEBO STUDENÉHO AKUMULÁTORA

Ak je akumulátor mimo normálneho tepelného rozmedzia, LED1 bude žiariť červeno. Keď sa batéria ochladí na približne 57 °C (42 °C pre BAX1300, 50 °C for BA2240T), alebo sa zohreje na viac ako 3 °C, nabíjačka automaticky začne nabíjať a 4 LED sa budú normálne striedať.

CHYBNÝ AKUMULÁTOR ALEBO NABÍJAČKA

Pokiaľ nabíjačka zistí problém, LED1 začne blikať červeno alebo všetky LED zhasnú.

NABÍJAŤ BA1120E, BA1400, BA2240E, BA2242T, BA2800, BA3360, BA4200, BA1400T, BA2240T, BA2800T, BA4200T, BA5600T, BA6720T

- V prípade zaregistrovania, že je chybná, vyberte a znovu vložte akumulátor do nabíjačky. Ak LED dióda aj druhýkrát identifikuje „chybu“, skúste nabíjať iný akumulátor.

- Ak sa iný akumulátor nabíja normálne, zlikvidujte chybný akumulátor (postupujte podľa pokynov v balení akumulátora).
- Ak je aj iný akumulátor tiež označený ako „chybný“, odpojte nabíjačku a počkajte, kým blikajúca LED1 zhasne, potom znovu pripojte k napájaniu. Ak LED1 dióda na nabíjačke stále zobrazuje chybu, môže byť chybná nabíjačka.

NABÍJAŤ BAX1300

- Ak spozorujete, že je chybný, vyberte a znovu pripojte akumulátor a nabíjačku s adaptérom. Ak LED dióda aj druhýkrát identifikuje „chybu“, skúste vymeniť adaptér alebo nabiť iný akumulátor.
- Ak sa iný adaptér alebo akumulátor nabíja normálne, zlikvidujte chybný adaptér alebo akumulátor (postupujte podľa pokynov v návode na používanie akumulátora).

3. Ak sú aj iný adaptér a akumulátor tiež označené ako „chybné“, odpojte nabíjačku a počkajte, kým blikajúca LED1 zhasne, potom znovu pripojte k napájaniu. Ak LED1 dióda na nabíjačke stále zobrazuje chybu, môže byť chybná nabíjačka.

OTVORY PRE MONTÁŽ NA STENU

Nabíjačka má závesné otvory pre praktické skladovanie (obr. A-6). Nainštalujte skrutky do steny 76 mm od seba. Použite skrutky dostatočne silné, aby udržali celkovú hmotnosť nabíjačky a akumulátora (približne max. 4,1 kg).

ÚDRŽBA

VAROVANIE: Pri čistení alebo vykonávaní údržby vždy vyberte akumulátor z nástroja, aby nedošlo k vážnemu zraneniu.

VAROVANIE: Pri servise používajte iba identické náhradné diely EGO. Použitie iných častí môže vyvolať nebezpečenstvo, alebo spôsobiť poškodenie výrobku.

VAROVANIE: Neodporúčame používať stlačený suchý vzduch na čistenie nabíjačky. Ak čistenie pomocou stlačeného vzduchu je jediný spôsob, ktorý je možné použiť, vždy si nasadte ochranné okuliare alebo ochranné okuliare s postrannými krytmi. V prašnom prostredí si tiež nasadte masku proti prachu.

VAROVANIE: Poškodený sieťový kábel musí vymeniť výrobca, servisný technik či iná kvalifikovaná osoba.

CELKOVÁ ÚDRŽBA

Na čistenie plastových dielov nepoužívajte rozpúšťadlá. Väčšina plastov je náchylná na poškodenie z rôznych typov komerčných rozpúšťadiel a môžu sa poškodiť, ak sa použijú. Použite čisté handry na odstránenie nečistôt, prachu, oleja, maziva, atď.

VAROVANIE: Nikdy nedovoľte, aby brzdové kvapaliny, benzín, ropné výrobky, penetračné oleje atď., prišli do styku s plastovými časťami. Chemické látky môžu poškodiť, oslabiť alebo zničiť plast, čo môže viesť k vážnemu zraneniu.

VAROVANIE: Pri servise používajte iba identické náhradné diely EGO. Použitie iných častí môže vyvolať nebezpečenstvo, alebo spôsobiť poškodenie výrobku. Pre zaistenie bezpečnosti a spoľahlivosti je nevyhnutné, aby všetky opravy vykonával len kvalifikovaný servisný technik v servisnom stredisku EGO.

Ochrana životného prostredia



Nevyhadzujte elektrické zariadenia, nabíjačku batérií a batérie / akumulátory do domového odpadu!

Podľa európskej smernice 2012/19/EU elektrické a elektronické zariadenia, ktoré už nie sú použiteľné a podľa európskej smernice 2006/66/EC chybné alebo použité akumulátory / batérie sa musia zhromažďovať oddelene.

Ak sú elektrické spotrebiče likvidované na neorganizovaných skládkach alebo smetiskách, môžu nebezpečné látky unikáť do podzemných vôd, dostať sa do potravinového reťazca a poškodzovať zdravie.

SK



ODSTRAŇOVANIE PROBLÉMOV

PROBLÉM	PRÍČINA	RIEŠENIE
Nabíjačka nefunguje. LED1 bliká červeno alebo všetky LED zhasnú.	Akumulátor, adaptér alebo nabíjačka sú chybné, alebo zlé spojenie medzi akumulátorom, adaptérom a nabíjačkou.	<ul style="list-style-type: none">■ Vyskúšajte vybrať a znovu vložiť akumulátor/adaptér do nabíjačky.■ Pokúste sa odpojiť a pripojiť adaptér k batérii (pre model BAX1300).■ Skúste vymeniť adaptér.■ Pokúste sa nabiť iný akumulátor.■ Odpojte nabíjačku a počkajte, kým červená LED zhasne, potom znovu pripojte k napájaniu.
Nabíjačka nefunguje a LED1 svieti na červeno.	Akumulátor je príliš horúci alebo príliš studený.	Nechajte, aby akumulátor dosiahol normálnu teplotu. Nabíjanie začne, keď sa akumulátor vráti na 3 °C - 57 °C (42 °C pre BAX1300, 3°C -50°C for BA2240T).

ZÁRUKA

ZÁRUČNÁ POLITIKA EGO

Navštívte webové stránky egopowerplus.com pre úplné podmienky záručnej politiky spoločnosti EGO.

SK

OLVASSA EL AZ ÖSSZES UTASÍTÁST!



OLVASSA EL A HASZNÁLATI ÚTMUTATÓT

⚠ Maradék kockázat! Az elektronikus készülékekkel, például pacemakerrel, élő emberek a termék használata előtt kérjék ki orvos véleményét. Az elektromos felszerelés a szív pacemakerhez közel való működtetése interferenciát vagy meghibásodást okozhat a pacemakerben.

⚠ FIGYELMEZTETÉS: A biztonságosság és megbízhatóság biztosítása érdekében minden javítást szakképzett szerviztechnikus hajtsa végre.

⚠ FIGYELMEZTETÉS: Ezt a készüléket használhatják 8 éves vagy annál idősebb gyermekek, illetve csökkent csökkenett fizikai, érzékszervi, vagy mentális képességekkel rendelkező, vagy kellő tudással és belátással nem rendelkező személyek is, ha az említett személyek a biztonságukért felelős, a készülék biztonságos használatának módjával és az esetleges veszélyekkel tisztában lévő személy felügyelete alatt állnak, vagy ilyen személytől kaptak utasítást a berendezés használatára vonatkozóan. Gyerekek ne játsszanak a készülékkel. A tisztítást és karbantartást gyermekek csak felügyelet alatt végezhetik.

BIZTONSÁGI SZIMBÓLUMOK

A biztonsági szimbólumok célja, hogy felhívják a figyelmet az esetleges veszélyekre. Nagyon figyeljen a biztonsági szimbólumokra és magyarázatokra, ill. ezek megértésére. A szimbólumok figyelmeztetésesei önmagukban nem hártják el a veszélyeket. Az utasítások és figyelmeztetések nem helyettesítik a megfelelő balesetmegelőző intézkedéseket.

⚠ FIGYELMEZTETÉS: A szerszám használata előtt feltétlenül olvassa el a jelen használati útmutató minden biztonsági utasítását, a „VESZÉLY”, „FIGYELMEZTETÉS” és „FIGYELEM” biztonsági szimbólumokat is. Az alább felsorolt utasítások be nem tartása áramütést, tűzveszélyt és/vagy súlyos személyi sérülést idézhet elő.

BIZTONSÁGI UTASÍTÁSOK

Ezen az oldalon olyan biztonsági szimbólumok láthatók és olvashatók, amelyek megjelenhetnek a terméken. Az összeszerelés vagy működtetés előtt olvassa el, értse meg és tartsa be a gép minden utasítását.

	Biztonsági figyelmeztetés	Az Ön biztonságát érintő óvintézkedések
	Olvassa el a használati útmutatót	A sérülések kockázatának csökkentése érdekében a használatnál el kell olvasnia a használati útmutatót.
	Beltéri használatra	A készüléket csak beltéren használja
	II. osztályú konstrukció	Kettős szigetelésű szerkezet
T6,3A 	Olvadóvezetékek	Fáziseltolódás, miniatűr olvadóvezetékek
	CE	A termék megfelel az érvényes EK irányelveknek.
	UKCA	Ez a termék megfelel az alkalmazási hulladék közle. VI-gye hivatalos újrahasznosító telephelyre.
	WEEE	Az elhasználotott elektromos termékek nem helyezhetők a háztartási hulladék közé. Vigye hivatalos újrahasznosító telephelyre.
V	Volt	Feszültség
A	amper	Aktuális
Hz	hertz	Frekvencia (ciklusok másodpercenként)
W	watt	Teljesítmény
min	perc	Idő
	Váltakozó áram	Áram típusa
	Egyenáram	Áram típusa vagy jellemzői

⚠ FIGYELMEZTETÉS: Olvassa el és értse meg az utasításokat. Az alább felsorolt utasítások be nem tartása áramütést, tűzveszélyt és/vagy súlyos személyi sérülést idézhet elő.

MUNKATERÜLET BIZTONSÁG

- **A munkaterület legyen tiszta és jól megvilágított.** A munkahelyen uralkodó rendtelenségnek vagy a rossz megvilágításnak baleset lehet a következménye.
- **Ne használjon elektromos szerszámokat robbanási veszélynek kitett környezetben, például olyan helyen, ahol éghető folyadékok, gázok vagy porok találhatóak.** Az elektromos kéziszerszámok szikrákat képeznek, amelyek meggyújthatják a porokat vagy gázokat.

HU

ELEKTROMOS BIZTONSÁG

- **Az elektromos kéziszerszám hálózati csatlakozódugójának illeszkednie kell az alkalmazott elektromos aljzathoz.** Soha és semmiképpen se módosítsa a csatlakozódugót. Ne használjon adapteres csatlakozódugókat az elektromos kéziszerszámokhoz. Az eredeti csatlakozódugó és megfelelő hálózati aljzat alkalmazásával megelőzi az áramütés veszélyét.
- **Ne tegye ki a töltőt esőnek vagy nedves környezetnek.** A töltőbe kerülő víz megnöveli az áramütés veszélyét.
- **Ne használja helytelen módon a hálózati vezetékét.** Soha ne használja a vezetékét a töltő hordozására, húzására vagy lecsatlakoztatására. Tartsa távol a vezetékét hőtől, olajtól, éles szegélyektől és mozgó alkatrészekről. A sérült vagy összegabalyodott hálózati kábelek megnövelik az áramütés veszélyét.
- **Ne érjen a földelt felületekhez, mint pl. csövek, fűtőtestek, tűzhelyek vagy hűtőszekrények.** Az áramütés kockázata nagyobb, ha a teste le van földelve.
- **Ha az elektromos kéziszerszámot a szabadban használja, akkor erre a célra kialakított hosszabbító vezetékét alkalmazzon.** A szabadterén használható kábel alkalmazása csökkenti az áramütés kockázatát.
- Az EGO töltőt az alábbi lítium-ion akkumulátoregységet tölti:

TÖLTŐ	AKKUMULÁTOREGYSÉG
CH5500E	BA1120E, BA1400, BA2240E, BA2240T, BA2242T, BA2800, BA3360, BA4200, BA1400T, BA2800T, BA4200T, BA5600T, BA6720T

SZERVIZ

- **A töltőt szakképzett személlyel, eredeti cserealkatrész felhasználásával javíttassa meg.** Ezzel biztosítja a töltő biztonságának fenntartását.
- **A töltő javításakor használjon azonos pótalkatrészeket.** Kövesse a jelen használati utasítás **Karbantartás fejezetét**. Nem engedélyezett alkatrészek használata vagy a karbantartási utasítások be nem tartása áramütés vagy sérülés veszélyét okozhatja.

A TÖLTŐRE VONATKOZÓ BIZTONSÁGI SZABÁLYOK

⚠ FIGYELEM: Az áramütés kockázatának csökkentése vagy a töltő és akkumulátor sérülésének érdekében csak a speciálisan a töltő címkéjén meghatározott lítium-ion akkumulátorokat tölts fel. Más típusú akkumulátorok használata felrepedéshez vezethet, vagy személyi sérülést vagy anyagi kárt okozhat.

- Ezt a berendezést nem használhatják olyan személyek (gyermeket is beleértve), akik csökkent fizikai, érzékszervi vagy szellemi képességekkel rendelkeznek, vagy nem rendelkeznek kellő belátással és tudással, kivéve azt az esetet, ha az említett személyek a biztonságukért felelős személy felügyelete alatt állnak, vagy ilyen személytől kaptak utasítást a berendezés használatára vonatkozóan.
- **Az akkumulátortöltő használata előtt,** olvassa el a jelen használati útmutatót és az akkumulátortöltőt, az akkumulátor és a termék minden utasítását és figyelmeztető jelzését a termék helytelen használatának és a lehetséges sérülések vagy rongálódás elkerülése érdekében.
- **Ne használja a töltőt szabadterén, és ne tegye ki nedves vagy nyirkos körülményeknek.** A töltőbe kerülő víz megnöveli az áramütés veszélyét.
- **Ne nyúljon a töltőhöz, a töltő csatlakozódugóját és csatlakozásait vizes kézzel.**
- **Ha nem javasolt vagy nem az akkumulátortöltő gyártója által értékesített tartozékokat használ, akkor tűz, áramütés vagy személyek sérülésének veszélye áll fenn.**
- **Csak a gyártó által meghatározott töltőt használja.** Az olyan töltő, amely egy típusú akkumulátoregységhez alkalmas, tűzveszélyt okozhat, ha más típusú akkumulátoregységhez használja.
- **Ne használja a vezetékét vagy a töltőt helytelen módon.** Soha ne használja a vezetékét a töltő hordozására. A töltő csatlakozóját ne a kábelnél fogva húzza ki a hálózati aljzatról. A kábel vagy a töltő sérülése áramütés veszélyét okozhatja. A sérült kábelt azonnal cserélje ki.
- **Ügyeljen arra, hogy a vezeték olyan helyen legyen, ahol nem lépnek rá, nem botlanak el benne, nem ér éles szélékhez vagy mozgó alkatrészekhez, és nincs kitéve más sérülésnek vagy igénybevételnek.** Ez csökkenti a véletlenszerű leesés veszélyét, amely a kábel sérülését vagy rongálódását okozhatja, és végül áramütést idézhet elő.
- **A kábelt és a töltőt tartsa távol hőtől, hogy a burkolat és a belső alkatrészek ne sérüljenek.**
- **Benzin, olaj, petróleum alapú termékek stb. ne érintkezzenek a műanyag alkatrészekkel.** Ezek az anyagok olyan vegyszereket tartalmaznak, amelyek megrongálhatják, gyengíthetik vagy megsemmisítik a műanyagot.
- **Ne működtesse a töltőt sérült kábellel vagy csatlakozódugóval, amely rövidzárlatot vagy áramütést okozhat.** Ha sérült, akkor javíttassa meg vagy cseréltesse ki az EGO Service Center hivatalos szerviztechnikusával.

HU

- **Ne működtesse a töltőt, ha éles tárgynak ütközött, leesett, vagy más módon megsérült.** Vigye hivatalos szerviztechnikushoz, aki ellenőrzi, hogy a töltő megfelelően működik-e.
- **Ne szerelje szét a töltőt.** Vigye hivatalos szerviztechnikushoz, ha szerviz vagy javítás szükséges. A helytelen szétszerelés miatt áramütés és a tűz veszélye áll fenn.
- **Az áramütés kockázatának csökkentése érdekében húzza ki a töltőt a hálózati aljzatból, mielőtt bármilyen karbantartást vagy tisztítást végezne rajta.**
- **Amikor nem használja a töltőt, mindig húzza ki a hálózati aljzatból.** Ez csökkenti az áramütés kockázatát vagy a töltő sérülését, ha fém tárgyak esnének a nyílásába. Segít megakadályozni a töltő sérülését a teljesítmény-ingadozás esetén.
- **Ellenkező esetben áramütés veszélyével kell számolni.** Ne érjen a csatlakozó kimenet szigetelés nélküli részéhez vagy a szigetelés nélküli akkumulátor érintkezőkhöz.
- **Őrizze meg ezeket az utasításokat.** Időnként olvassa át, és használja, amikor másokat a kéziszerszám használatára tanít be. Ha valakinek kölcsön adja a szerszámot, akkor adja át a használati utasítást is a helytelen használat és lehetséges sérülések elkerülése érdekében.

FONTOS BIZTONSÁGI ELŐÍRÁSOK

- **Őrizze meg ezeket az utasításokat.** A jelen használati utasítás fontos biztonsági és használati utasításokat tartalmaz az 56 V-os CH5500E gyorsöltőre vonatkozólag.
- **Az akkumulátortöltő használata előtt olvassa el az akkumulátortöltőre, az akkumulátorra és a termékre vonatkozó összes utasítást, valamint a rajtuk elhelyezett biztonsági jelzéseket.**

⚠ FIGYELMEZTETÉS: Elektromos készülékek használata közben mindig tartsa be az alapvető óvintézkedéseket, beleértve az alábbiakat:

- A sérülésveszély csökkentése érdekében fokozott figyelem szükséges, ha a készüléket gyermekek közelében használják.
- Csak a gyártó által javasolt vagy értékesített tartozékokat használja.
- Ne használja szabadátéren.
- A hordozható készülékekhez – Az áramütés kockázatának csökkentése érdekében ne tegye a töltőt vízbe vagy más folyadékba. Ne tegye, illetve ne tárolja a készüléket olyan helyen, ahol az fűrdőkádba vagy mosdókagylóba eshet.

⚠ FIGYELEM: A sérülésveszély csökkentése érdekében csak lítium-ion tölthető elemeket töltsön. Más típusú akkumulátorok használata felrepedéshez vezethet, vagy személyi sérülést vagy anyagi kárt okozhat.

MŰSZAKI LEÍRÁS

Töltő bemenet	220-240 V~ 50 Hz, 550W
Töltő kimenet	5-8 A 56 V
Töltési idő	Körülbelül 25 perc BA1120E akkumulátoregység Körülbelül 30 perc BA1400/ BA2240E/BA1400T/ BA2240T/BA2242T akkumulátoregység Körülbelül 40 perc BA2800/BA2800T akkumulátoregység Körülbelül 45 perc BA3360 akkumulátoregység Körülbelül 60 perc BA4200/BA4200T akkumulátoregység Körülbelül 190 perc BAX1300 akkum-ulatöre- gységkö-rülbelül 30 perc BA1400T akkumulátoregység KKörülbelül 70 perc BA5600T akkumulátoregység KKörülbelül 90 perc BA6720T akkumulátoregység
Optimális töltési hőmérséklet	5°C-40°C
Töltő súlya	1,9 kg

HU

LEÍRÁS

ISMERJE MEG A TÖLTŐT (A. ábra)

1. Szerelőnyílás
2. Hűtőlevegő port
3. LED kijelzők
4. Elektromos csatlakozások
5. Puha fogantyú
6. Lyuk fálra szereléshez

MŰKÖDTETÉS

HOGYAN KELL FELTÖLTENI AZ AKKUMULÁTOREGYSÉGET

⚠ FIGYELMEZTETÉS: Ne használja a töltőt szabadátéren, és ne tegye ki nedves vagy nyirkos körülményeknek. A töltőbe kerülő víz megnöveli az áramütés veszélyét.

⚠ MEGJEGYZÉS: A lítium-ion akkumulátoregységet részben feltöltve szállítjuk. Az első használat előtt töltsse fel teljesen az akkumulátort.

1. Csatlakoztassa a töltőt a hálózati aljzathoz (220-240V~50Hz). A négy töltésjelző LED rövid ideig zölden világít, jelezvén, hogy a töltő megfelelően működik.
2. Illesze az akkumulátoregység/adapter felemelt vázat az akkumulátorban lévő szerelőnyíláshoz; csúsztassa le az akkumulátoregységet/adaptert a töltőre (B. ábra).

MEGJEGYZÉS: A BAX1300 akkumulátoregység töltésénél először az adaptert csatlakoztassa az akkumulátoregységhez.

3. A töltő kommunikál az akkumulátoregységgel az akkumulátoregység állapotának felméréséhez.
4. Amikor az akkumulátoregység töltés alatt van, a töltőn lévő zöld LED villog. Az akkumulátoregységen (BA1120E, BA1400, BA2240E, BA2800, BA3360, BA4200) lévő teljesítményjelző felváltva villog: pirosan, narancssárgán és zölden, vagy a BAX1300 akkumulátoregység számokkal jelzi ki a töltési kapacitást. Az akkumulátoregység 5-szегmensű LED kijelzőjének utolsó szegmense zölden villog (BA1400T-hez, BA2240T-hez, BA2242T-hez, BA2800T-hez, BA4200T-hez, BA5600T-hez, BA6720T-hez). A töltőben lévő ventilátor folyamatosan működik az akkumulátoregység hűtése érdekében.
5. Amikor az akkumulátoregység teljesen feltöltődött,

a zöld LED abbahagyja a villogást, és folyamatosan zölden világít. Az akkumulátoregységen lévő teljesítményjelző elalszik. Várjon, amíg a hűtőventilátor leáll, vegye le az akkumulátoregységet/adaptert a töltőről, és húzza ki a töltőt a hálózati aljzathoz.

6. Az akkumulátoregység teljesen feltöltődik a töltőn, de nem töltődik túl. Ha az akkumulátor (Kivéve BAX1300) a töltőn marad egy hónapig, vagy tovább, akkor önkarbantartást végez, és megtart 30%-os kapacitást. Ha ez történik, akkor tegye vissza az akkumulátoregységet a töltőre, és teljesen tölts fel.

A C. ábra alkatrészeinek leírását lásd lent:

C-1	LED 1	C-3	LED 3
C-2	LED 2	C-4	LED 4

MEGJEGYZÉS:

- Ha a működési idő teljes feltöltés után jelentősen csökken, akkor az azt jelzi, hogy az akkumulátor majdnem elérte a használhatóságának végét, és ki kell cserélni.
- A töltő töltés közben felmelegszik. Ez a töltő normál működésének része. Jól szellőztetett helyiségben tölts fel.

A TÖLTŐ LED FUNKCIÓI

BA1120E-hez, BA1400-hez, BA2240E-hez, BA2800-hez, BA3360-hez, BA4200-hez

LED KIJELZŐ	AKKU-MULÁTOR-EGYSÉG	LED A TÖLTŐN				TELJESÍTMÉNY-JELZŐ AZ AKKUMULÁTOR-EGYSÉGEN	AKKUMULÁTOR-EGYSÉG TELJESÍTMÉNYE	MŰVELET
		LED1	LED2	LED3	LED4			
	SÉRÜLT	Villogó piros vagy ki	Ki	Ki	Ki	Ki	—	Az akkumulátoregység vagy a töltő sérült.
	HIDEG/ FORRÓ AKKU-MULÁTOR	Pirosan világít	Ki	Ki	Ki	Ki	—	A töltés akkor kezdődik, amikor az akkumulátoregység 3 °C-57°C közötti hőmérsékletre hűl vissza
	TÖLTÉS	Villogó zöld	Ki	Ki	Ki	Felváltva pirosan, narancssárgán és zölden villog	25%-Nál kevesebb	Töltés
		Felváltva zölden világít	Ki	Ki			25% és 50% között	Töltés
		Felváltva zölden világít	Ki				50% és 75% között	Töltés
		Felváltva zölden világít					75% és 90% között	Töltés
	TELJES FELTÖLTVE	Folyamatosan zölden világít				Ki	90% és 100% között	A töltés befejeződött. Karbantartó töltés.
—	ÖNKARBANTARTÁS	Megszakításokkal zölden világít				Ki	Kb. 30%	Az akkumulátoregység önkarbantartást végez, vagy alvó üzemmódba kapcsol. Tegye vissza az akkumulátoregységet a töltőre, és teljesen tölts fel.

BA1400T-hez, BA2240T-hez, BA2242T-hez, BA2800T-hez, BA4200T-hez, BA5600T-hez, BA6720T-hez

LED KIJELEZŐ	AKKU-MULÁTOR-EGYSÉG	LED A TÖLTŐN				5 LED JELZŐLÁMPA AZ AKKU-MULÁTOR-EGYSÉGEN	AKKU-MULÁTOR-EGYSÉG TELJESÍTMÉNYE	MŰVELET
		LED1	LED2	LED3	LED4			
	SÉRÜLT	Villogó piros vagy ki	Ki	Ki	Ki	Ki	—	Az akkumulátoregység vagy a töltő sérült.
	HIDEG/ FORRÓ AKKU-MULÁTOR	Pirosan világít	Ki	Ki	Ki	Ki	—	A töltés akkor kezdődik, amikor az akkumulátoregység 3°C-57°C közötti hőmérsékletre hűl vissza (BA1400T-hez, BA2242T-hez, BA2800T-hez, BA4200T-hez, BA5600T-hez, BA6720T-hez)/3°C-50°C(BA2240T-hez).
	TÖLTÉS	Villogó zöld	Ki	Ki	Ki	Az utolsó szegmens zölden villog, a többi folyamatosan zöld	25%-Nál kevesebb	Töltés
		Felváltva zölden világít	Ki	Ki	25% és 50% között		Töltés	
		Felváltva zölden világít	Ki	Ki	50% és 75% között		Töltés	
		Felváltva zölden világít	Ki	Ki	75% és 90% között		Töltés	
	TELJES FELTÖLTVE	Folyamatosan zölden világít			Ki	90% és 100% között	A töltés befejeződött. Karbantartó töltés.	
—	ÖNKARBANTARTÁS	Megszakításokkal zölden világít			Ki	Kb. 30%	Az akkumulátoregység önkarbantartást végez, vagy alvó üzemmódba kapcsol. Tegye vissza az akkumulátoregységet a töltőre, és teljesen töltsse fel.	

HU

FORRÓ VAGY HIDEG AKKUMULÁTOREGYSÉG TÖLTÉSE

Ha az akkumulátoregység a normális hőmérséklet-tartományon kívül van, akkor a piros LED világít. Ha az akkumulátoregység körülbelül 57 °C (42 °C a BAX1300-hoz, 50 °C for BA2240T)-ra hűl, vagy 3 °C felé melegszik, a töltő automatikusan tölteni kezd, és a 4 LED felváltva világít.

SÉRÜLT AKKUMULÁTOREGYSÉG VAGY TÖLTŐ

Ha a töltő problémát észlel, akkor a piros LED villogni kezd, és a zöld LED kikapcsol.

A BA1120E, BA1400, BA2240E, BA2242T, BA2800, BA3360, BA4200, BA1400T, BA2240T, BA2800T, BA4200T, BA5600T, BA6720T TÖLTÉSE

- Ha sérültként tűnik, vegye ki, és tegye vissza az akkumulátoregységet a töltőre. Ha a LED-ek még

mindig „sérültként” jelzik, akkor próbáljon meg feltölteni egy másik akkumulátoregységet.

- Ha a másik akkumulátoregység rendszeren töltődik, akkor ártalmatlanítsa a sérült akkumulátoregységet (nézze meg az akkumulátoregység használati utasításait).
- Ha a másik akkumulátoregység is „sérültként” jelenik meg, akkor húzza ki a töltőt, és várjon, amíg a piros LED elalszik, majd csatlakoztassa a csatlakozódugót a hálózati aljzathoz. Ha a piros LED még mindig világít, akkor a töltő sérült.

A BAX1300 TÖLTÉSE

- Ha sérültnek tűnik, vegye ki, és csatlakoztassa újra az akkumulátoregységet és a töltőt az adapterrel. Ha a LED-ek még mindig „sérültként” jelzik, akkor próbáljon meg betenni egy új adaptert, vagy feltölteni egy másik akkumulátoregységet.

2. Ha a másik adapter vagy akkumulátoregység rendszeren töltődik, akkor ártalmatlanítsa a sérült adaptert vagy akkumulátoregységet (nézze meg az akkumulátoregység használati utasításait).
3. Ha egyszerre cseréli ki az akkumulátoregységet és az adaptert, és így is „sérültként” jelenik meg, akkor húzza ki a töltőt, és várjon, amíg a villogó LED1 elalszik, majd csatlakoztassa a csatlakozódugót a hálózati aljzathoz. Ha a LED1 még mindig világít, akkor a töltő sérült.

LYUKAK FALRA SZERELÉSHEZ

A töltőn akasztólyukak vannak a kényelmes tároláshoz (A-5. ábra). Helyezze a csavarokat a falba 76 mm távolságban. Használjon kellően erős csavarokat, amelyek megtartják a töltőt és az akkumulátoregység együttes súlyát (körülbelül maximum 3,3 kg).

KARBANTARTÁS

▲ FIGYELMEZTETÉS: A súlyos személyi sérülések elkerülése érdekében mindig vegye ki az akkumulátoregységet az eszközből tisztítás vagy karbantartás alatt.

▲ FIGYELMEZTETÉS: Javításkor használjon azonos EGO pótalkatrészeket. Más alkatrészek használata veszélyt okozhat, vagy megrongálhatja a terméket.

▲ FIGYELMEZTETÉS: Nem javasolt sűrített levegő használata a töltő tisztításához. Ha csak sűrített levegővel lehet megtisztítani, akkor az eszköz tisztítása közben mindig viseljen védőszemüveget vagy oldalsó védőlemezzel ellátott védőszemüveget. Ha működtetés közben por keletkezik, akkor viseljen porvédő maszkot is.

▲ FIGYELMEZTETÉS: Ha az áramellátó vezeték megsérült, akkor a veszélyek elkerülése érdekében a gyártóval vagy a gyártó szerviz-szakembereivel, vagy más szakképzett személlyel ki kell cseréltetni.

ÁLTALÁNOS KARBANTARTÁS

A műanyag alkatrészek tisztításához ne használjon oldószereket. A legtöbb műanyag a vegyi oldószerek által deformálódás általi sérülésnek van kitéve, ezek megrongálhatják őket. Használjon tiszta ruhát a szennyeződés, por, olaj, zsír stb. eltávolításához.

▲ FIGYELMEZTETÉS: Fékolaj, benzin, petróleum alapú termékek, behatoló olajok stb. soha ne érintkezzenek a műanyag alkatrészekkel. A vegyszerek megrongálhatják, gyengíthetik vagy megsemmisíthetik a műanyagot, amely súlyos személyi sérülést okozhat.

▲ FIGYELMEZTETÉS: Javításkor használjon azonos EGO pótalkatrészeket. Más alkatrészek használata veszélyt okozhat, vagy megrongálhatja a terméket. A biztonságosság és megbízhatóság biztosítása érdekében minden javítást az EGO Service Center szakképzett szerviztechnikusa hajtson végre.

A környezet védelme



Ne dobja az elektromos felszerelést, az akkumulátor töltőt és az akkumulátorokat/újratölthető akkumulátorokat a háztartási hulladékok közé!

Az elektromos és elektronikus berendezések hulladékaikról szóló 2012/19/EU európai törvény, amely már nincs érvényben, európai törvény értelmében a sérült vagy elhasznált akkumulátoregységeket/akkumulátorokat külön kell gyűjteni.

Ha az elektromos berendezéseket talajfelfertőtlenítő vagy árokbetömési célokra használják, olyan veszélyes anyagok kerülhetnek belőlük a talajvízbe, majd onnan a táplálkozási láncba, amelyek veszélyeztetik az egészséget.

HIBAELHÁRÍTÁS

PROBLÉMA	A PROBLÉMA OKA	MEGOLDÁS
A töltő nem működik. LED1 pirosan villog, vagy minden LED elalszik.	Az akkumulátoregység, adapter sérült, vagy rossz a csatlakozás az akkumulátoregység és a töltő között.	<ul style="list-style-type: none">■ Próbálja meg kivenni, és visszatenni az akkumulátoregységet/adaptert a töltőre.■ Próbálja meg kivenni az akkumulátoregységet és az adapterhez csatlakoztatni (BAX1300-hoz).■ Próbálja meg kicserélni az adaptert.■ Próbáljon meg másik akkumulátoregységet feltölteni.■ Húzza ki a töltőt, és várjon, amíg a piros LED elalszik, majd csatlakoztassa a csatlakozódugót a hálózati aljzathoz.
A töltő nem működik, és a LED1 pirosan villog.	Az akkumulátoregység túl forró vagy túl hideg.	Hagyja az akkumulátoregységet normál hőmérsékletre hűlni. A töltés akkor kezdődik, amikor az akkumulátoregység 3 °C-57 °C közötti hőmérsékletre hűl vissza (42 °C a BAX1300-hoz, 3°C -50°C for BA2240T).

GARANCIA

EGO GARANCIÁLIS FELTÉTELEK

Kérjük, látogasson el az egopowerplus.com oldalra, ahol megtalálja a részletes EGO garanciális feltételeket.

HU

CITIȚI TOATE INSTRUCȚIUNILE!



CITIȚI MANUALUL DE INSTRUCȚIUNI

⚠ Riscuri reziduale! Persoanele cu dispozitive electronice precum stimuloare cardiace ar trebui să-și consulte medicul (medicii) înainte de a utiliza acest produs. Utilizarea unui echipament electric în imediata apropiere a unui stimulator cardiac poate cauza interferențe sau pana stimulatorului.

⚠ AVERTISMENT: Pentru siguranța și fiabilitatea produsului, toate reparațiile ar trebui efectuate de către un tehnician de service autorizat.

⚠ AVERTISMENT: Acest aparat poate fi utilizat de către copii de peste 8 ani și de către persoane cu capacități fizice, senzoriale sau intelectuale reduse ori lipsite de cunoștințe sau de experiență numai dacă sunt supravegheate sau au fost instruite cu privire la utilizarea aparatului în deplină siguranță și înțeleg pericolele la care se expun. Nu lăsați copiii să se joace cu aparatul. Este interzisă efectuarea curățării și întreținerii aparatului permisibile utilizatorului de către copii nesupravegheați.

SIMBOLURI PRIVIND SIGURANȚA

Scopul simbolurilor privind siguranța este să vă atragă atenția asupra pericolelor posibile. Simbolurile privind siguranța și explicațiile furnizate cu acestea merită atenția și înțelegerea dumneavoastră. Simbolurile de avertizare, ele singure, nu elimină niciun pericol. Instrucțiunile și avertismentele pe care le oferă nu pot înlocui măsurile corecte de prevenire a accidentelor.

⚠ AVERTISMENT: Asigurați-vă că ați citit și înțelegți toate instrucțiunile privind siguranța din acest Manual de utilizare, inclusiv toate simbolurile de alertă privind siguranța precum "PERICOL," "AVERTISMENT," și "ATENȚIE" înainte de a utiliza această sculă. Nerespectarea tuturor avertismentelor și instrucțiunilor poate duce la electrocutare, incendiu și/sau răni grave.

INSTRUCȚIUNI PRIVIND SIGURANȚA

Această pagină descrie simbolurile de siguranță ce pot apărea pe acest produs. Citiți, înțelegeți, și respectați toate instrucțiunile de pe mașină înainte de asamblare și operare.

	Alertă privind siguranța	Precauții care implică siguranța dumneavoastră
	Citiți manualul de instrucțiuni	Pentru a reduce riscul de accidentări, utilizatorul trebuie să citească manualul de instrucțiuni.
	A se utiliza numai în interior	Utilizați acest echipament numai în interior

	Produs cu structură de clasă II	Structură cu izolație dublă
	Șuruburi fuzibile	Mini siguranță fuzibilă temporizată
	CE	Acest produs este în conformitate cu directivele europene aplicabile.
	UKCA	Acest produs este în conformitate cu legislația aplicabilă din Marea Britanie.
	DEEE	Deșeurile produselor electrice nu trebuie să fie eliminate împreună cu deșeurile menajere. Predați-le unui punct de reciclare autorizat.
V	Volt	Voltaj
A	Amperi	Rezistență
Hz	Hertz	Frecvență (cicluri pe secundă)
W	Watt	Putere
min	Minute	Durată
	Curent alternativ	Tip de curent
	Curent continuu	Tip sau o caracteristică a curentului

⚠ AVERTISMENT: Citiți și înțelegeți toate instrucțiunile. Nerespectarea tuturor avertismentelor și instrucțiunilor poate duce la electrocutare, incendiu și/sau răni grave.

SIGURANȚA ZONEI DE LUCRU

- **Păstrați zona de lucru curată și bine iluminată.** Zonele dezordonate și întunecoase predispun la accidente.
- **Nu puneți în funcțiune sculele electrice în atmosfere explozive, cum ar fi în prezența lichidelor, gazelor sau prafurilor inflamabile.** Sculele electrice creează scântei, care pot aprinde praful sau gazele.

SIGURANȚA ELECTRICĂ

- **Ștecherul sculei electrice trebuie să corespundă cu priza de rețea electrică.** Nu modificați niciodată ștecherul. Nu utilizați un adaptor de priză cu scule electrice împământate. Ștecherurile nemodificate și prizele adecvate vor reduce riscul de electrocutare.
- **Nu expuneți încărcătorul la ploaie sau condiții de umezeală.** Pătrunderea apei în încărcător va crește riscul de electrocutare.
- **Nu folosiți în mod abuziv cablul de alimentare.** Nu utilizați niciodată cablul de alimentare pentru transportul, tragerea sau scoaterea din priză a încărcătorului.

Țineți cablul de alimentare departe de căldură, ulei, margini tăioase sau piese în mișcare. Cablurile electrice deteriorate sau încălțite cresc riscul de electrocutare.

- **Evitați contactul corpului cu suprafețele legate la împământare, cum sunt țevile, caloriferele, mașinile de gătit și frigiderere.** Acest lucru reprezintă un risc sporit de electrocutare în cazul care corpul dumneavoastră este împământat.
- **Când utilizați o sculă electrică în aer liber utilizați un cablu prelungitor adecvat pentru utilizarea în aer liber.** Utilizarea unui cablu adecvat pentru aer liber reduce riscul de electrocutare.
- **Încărcătorul EGO poate încărca acumulatorii EGO de Litiu ion menționați mai jos:**

ÎNCĂRCĂTOR	SETURI DE ACUMULATORI
CH5500E	BA1120E, BA1400, BA2240E, BA2240T, BA2242T, BA2800, BA3360, BA4200, BA1400T, BA2800T, BA4200T, BA5600T, BA6720T

OPERAȚIILE DE SERVICE

- **Apelați numai la o persoană calificată pentru a vă repara scula electrică utilizând numai piese de schimb identice.** Acest lucru va asigura menținerea siguranței încărcătorului.
- **La depanarea încărcătorului, utilizați numai piese de schimb identice. Respectați instrucțiunile din secțiunea referitoare la întreținere din acest manual.** Utilizarea de piese neautorizate sau nerespectarea instrucțiunilor de întreținere pot duce la un risc de electrocutare sau de vătămare.

REGULI DE SIGURANȚA PRIVIND ÎNCĂRCĂTORUL

⚠ ATENȚIE: Pentru a reduce riscul de electrocutare sau de avariere a încărcătorului și a acumulatorului, încărcați numai acumulatorii de litiu-ion special menționați pe eticheta încărcătorului. Alte tipuri de acumulatori pot exploda, cauzând vătămări corporale sau daune.

- Acest aparat nu este destinat folosirii de către persoane (inclusiv copii) cu capacități fizice, senzoriale sau intelectuale reduse, sau lipsite de experiență sau cunoștințe, exceptând cazul în care acestea sunt supravegheate sau instruite în prealabil de o persoană responsabilă de securitatea lor.
- **Înainte de a utiliza încărcătorul de acumulatori, citiți toate instrucțiunile și marcajele de avertizare din acest manual și de pe încărcător, acumulator și de pe produsul care utilizează acumulatorul pentru a preveni utilizarea greșită a produselor și eventualele vătămări sau pagube.**
- **Nu utilizați încărcătorul în aer liber sau să-l expuneți la condiții de umezeală.** Pătrunderea apei în încărcător va crește riscul de electrocutare.
- **Nu manevrați încărcătorul, inclusiv ștecherul acestuia și terminalele încărcătorului dacă aveți mâinile ude.**

- **Utilizarea unui accesoriu nerecomandat sau necomercializat de fabricantul încărcătorului de acumulatori poate provoca incendii, electrocutări sau accidentări.**
- **Reîncărcați doar cu încărcătorul specificat de producător.** Un încărcător adecvat pentru un tip de set de acumulatori poate prezenta risc de incendiu dacă e utilizat cu alt set de acumulatori.
- **Nu folosiți în mod abuziv cablul de alimentare sau încărcătorul.** Nu utilizați niciodată cablul de alimentare pentru transportarea încărcătorului. Nu trageți de cablu pentru a scoate ștecherul din priză. Risiți să avariați cablul sau încărcătorul și crea un risc de electrocutare. Înlocuiți imediat cablurile de alimentare avariate.
- **Cablul de alimentare trebuie poziționat astfel încât să nu fie călcat, să nu încurce, să nu intre în contact cu muchii ascuțite sau piese mobile deoarece riscă să fie avariat sau fie supus la tensiuni.** Poziționarea corectă a cablului va reduce riscul de căderi accidentale, care pot cauza vătămări corporale și avarieri ale cablului, care ar putea rezulta în electrocutare.
- **Feriți cablul și încărcătorul de căldură pentru a preveni avarierea carcasei sau a componentelor interne.**
- **Nu permiteți contactul pieselor de plastic cu benzină, uleiuri, produse pe bază de petrol, etc.** Aceste materiale conțin chimicale care pot avaria, fragiliza sau distruge plasticul.
- **Nu utilizați încărcătorul cu un cablu de alimentare sau ștecher avariat, deoarece există riscul creării unui scurtcircuit și electrocutării.** În caz de avariere, apelați la un tehnician de reparații de la Centrul de service EGO pentru repararea sau înlocuirea încărcătorului.
- **Nu utilizați încărcătorul dacă a primit o lovitură violentă, a fost scăpat pe jos sau a fost avariat în vreun fel.** Predați-l unui tehnician de service autorizat pentru o verificare electrică ca să determine dacă încărcătorul este în stare bună de funcționare.
- **Nu dezasamblați încărcătorul.** Duceți încărcătorul la un tehnician de service autorizat când acesta necesită operații de service sau reparații. Reasamblarea greșită poate duce la electrocutare sau la incendiu.
- **Scoateți încărcătorul din priză electrică înainte de a încerca orice operație de întreținere sau de curățare pentru a reduce riscul de electrocutare.**
- **Deconectați încărcătorul de la sursa de alimentare când acesta nu este utilizat.** Astfel se va reduce riscul de electrocutare sau de avariere a încărcătorului în cazul care obiecte de metal caz în deschiderea acestuia. Acest lucru va ajuta la prevenirea avarierii încărcătorului în cazul unui vârf de tensiune.
- **Pericol de electrocutare.** Nu atingeți porțiunea neizolată a conectorului de ieșire sau terminalul neizolat al acumulatorului.
- **Păstrați aceste instrucțiuni.** Consultați-le frecvent și utilizați-le pentru a instrui alte persoane care ar putea utiliza această sculă electrică. Dacă împrumutați cuiva această

sculă, împrumutați-i și aceste instrucțiuni pentru a preveni utilizarea inadecvată a produsului și posibile răni.

INSTRUCȚIUNI IMPORTANTE PRIVIND SIGURANȚA

- **Păstrați aceste instrucțiuni.** Acest manual conține instrucțiuni importante privind siguranța și utilizarea Încărcătorului rapid CH5500E 56V.
- **Înainte de a utiliza încărcătorul de acumulatori, citiți toate instrucțiunile și marcasele de avertizare de pe încărcătorul de acumulatori, de pe acumulator și de pe produsul care utilizează acumulatorul.**

⚠ AVERTISMENT: La utilizarea aparatelor electrice, se vor respecta întotdeauna instrucțiunile bazice de siguranță, inclusiv următoarele:

- Pentru reducerea riscului de accidentare, este necesară o supraveghere atentă când aparatul este utilizat în apropierea copiilor.
- Utilizați numai accesoriile recomandate sau vândute de fabricant.
- A nu se utiliza în aer liber.
- În cazul unui aparat portabil - Pentru a reduce riscul de electrocutare, nu introduceți încărcătorul în apă sau în alt lichid. Nu amplasați sau să depozitați aparatul într-un loc de unde ar putea să cadă sau să fie tras într-o cadă sau într-o chiuvetă.

⚠ ATENȚIE: Pentru a reduce riscul de rănire încărcăți numai acumulatori de litiu-ion. Alte tipuri de acumulatori pot exploda, cauzând vătămări corporale sau daune.

RO

SPECIFICAȚII

Alimentare încărcător	220-240 V~ 50 Hz, 550W,
Putere de ieșire încărcător	5-8 A 56 V 
Durată de încărcare	Aproximativ 25 de minute pentru setul de acumulatori BA1120E Aproximativ 30 de minute pentru setul de acumulatori BA1400/BA2240T/BA1400T/BA2240T/BA2242T Aproximativ 40 de minute pentru setul de acumulatori BA2800/BA2800T Aproximativ 45 de minute pentru setul de acumulatori BA3360 Aproximativ 60 de minute pentru setul de acumulatori BA4200/BA4200T Aproximativ 190 de minute pentru setul de acumulatori BAX1300 Aproximativ 70 de minute pentru setul de acumulatori BA5600T Aproximativ 90 de minute pentru setul de acumulatori BA6720T

Temperatură optimă de încărcare	5°C-40°C
Greutate de încărcare	1,9 kg

DESCRIERE

DESCRIEREA ÎNCĂRCĂTORULUI (Fig. A)

1. Fantă de montare
2. Port de răcire și aerisire
3. Indicatori LED
4. Contacte electrice
5. Moale la atingere
6. Orificiu de montare pe perete

UTILIZAREA

CUM TREBUIE ÎNCĂRCAT SETUL DE ACUMULATORI

⚠ AVERTISMENT: Nu utilizați încărcătorul în aer liber sau să-l expuneți la condiții de umezeală. Pătrunderea apei în încărcător va crește riscul de electrocutare.

⚠ OBSERVAȚIE: Seturile de acumulatori de Litiu-ion sunt livrat parțial încărcată. Înaintea primei utilizări, încărcăți complet setul de acumulatori.

1. Conectați încărcătorul la sursa de alimentare (220-240V~ 50Hz). Cele patru LED-uri indicatoare se vor aprinde verde pentru un timp scurt indicând că încărcătorul funcționează corect.
2. Aliniați nervurile reliefate ale setului de acumulatori/adaptorului cu fantele de montare din încărcător; culisați setul de acumulatori/adaptorul în jos pe încărcător (Fig. B).

OBSERVAȚIE: Când încărcăți setul de acumulatori BAX1300, mai întâi conectați adaptorul la acumulatori.

3. Încărcătorul va comunica cu circuitele setului de acumulatori, pentru a evalua starea acestuia.
4. Când setul de acumulatori este în curs de încărcare, LED-ul verde de pe încărcător va clipi intermitent. Indicatorul de alimentare de pe setul de acumulatori (BA1120E, BA1400, BA2240E, BA2800, BA3360, BA4200) va clipi în următoarea ordine: roșu, portocaliu și verde. sau indicatorul LCD de alimentare de pe setul de acumulatori BAX1300 va afișa numeric gradul de încărcare. Ultimul segment al indicatorului cu 5 LED-uri al acumulatorului va lumina intermitent în verde (Pentru BA1400T, BA2240T, BA2242T, BA2800T, BA4200T, BA5600T, BA6720T). Ventilatorul din încărcător va funcționa continuu pentru a răci setul de acumulatori.
5. Când setul de acumulatori este complet încărcat, LED-ul verde se va opri din clipi și va rămâne aprins verde. Indicatorul de alimentare de pe setul de acumulatori se va stinge. Așteptați până când ventilatorul de răcire se oprește, scoateți setul de acumulatori/adaptorul din încărcător și deconectați încărcătorul de la sursa de alimentare.

6. Setul de acumulatori va fi complet încărcat dacă este lăsat în încărcător, fără să se supraîncarce. Dacă setul de acumulatori (excepție în cazul BAX1300) rămâne în încărcător timp de o lună sau mai mult, acesta va efectua o operație de auto întreținere și va reduce nivelul de încărcare al acumulatorului la 30%. În acest caz, repuneți setul de baterii pe încărcător pentru a-l încărca complet.

Fig. C pentru descrierea componentelor consultați tabelul de mai jos:

C-1	LED 1	C-3	LED 3
C-2	LED 2	C-4	LED 4

Observație:

- O durată de funcționare redusă semnificativ a setului de acumulatori este un semn că acumulatorii se apropie de sfârșitul vieții lor și trebuie înlocuiți.
- Este posibil ca setul de acumulatori să se încălzească în timpul încărcării. Acest lucru face parte din funcționarea normală a încărcătorului. efectuați încărcarea într-o zonă bine ventilată.

FUNCTIILE LED ALE ÎNCĂRCĂTORULUI

Pentru BA1120E, BA1400, BA2240E, BA2800, BA3360, BA4200

INDICATOR LED	SET DE ACUMULATORI	LED DE PE ÎNCĂRCĂTOR				INDICATOR DE ALIMENTARE PE SETUL DE ACUMULATOR	NIVEL DE ÎNCĂRCARE SET DE ACUMULATORI	OPERAȚIE
		LED1	LED2	LED3	LED4			
	Defect	Clipsește roșu sau este oprit	Oprit	Oprit	Oprit	Oprit	—	Setul de acumulatori sau încărcătorul este defect.
	Acumulator rece/cald	Se aprinde roșu	Oprit	Oprit	Oprit	Oprit	—	Încărcarea va fi reluată când temperatura setului de acumulatori revine la intervalul 3°C-57°C.
	Încărcare	Clipsește verde	Oprit	Oprit	Oprit	Clipsește alternativ roșu, portocaliu și verde	Mai puțin de 25%	Încărcare
		Se aprinde verde alternativ	Oprit	Oprit	Oprit		Între 25% și 50%	Încărcare
		Se aprinde verde alternativ	Oprit	Oprit	Oprit		Între 50% și 75%	Încărcare
		Se aprinde verde alternativ	Oprit	Oprit	Oprit		Între 75% și 90%	Încărcare
	Full Charged	Se aprinde verde continuu				Oprit	Între 90% și 100%	Încărcare completă. Încărcare de întreținere.
—	Self-maintenance	Clipire rapidă intermitentă roșu				Oprit	Aprox. 30%	Setul de acumulatori efectuează operație de auto întreținere sau este în stare de somn. Repuneți setul de baterii pe încărcător pentru a-l încărca complet.

RO

Pentru BA1400T, BA2240T, BA2242T, BA2800T, BA4200T, BA5600T, BA6720T

INDICATOR LED	SET DE ACUMULATORI	LED DE PE ÎNCĂRCĂTOR				INDICATOR CU 5 LEDURI PE ACUMULATOR	NIVEL DE ÎNCĂRCARE SET DE ACUMULATORI	OPERAȚIE
		LED1	LED2	LED3	LED4			
	Defect	Clipsește roșu sau este oprit	Oprit	Oprit	Oprit	Oprit	—	Setul de acumulatori sau încărcătorul este defect.
	Acumulator rece/cald	Se aprinde roșu	Oprit	Oprit	Oprit	Oprit	—	Încărcarea va fi reluată când temperatura setului de acumulatori revine la intervalul 3°C-57°C (Pentru BBA1400T, BA2242T, BA2800T, BA4200T, BA5600T, BA6720T)/3°C-50°C (Pentru BA2240T).
	Încărcare	Clipsește verde	Oprit	Oprit	Oprit	Ultimul segment luminează intermitent în verde, restul luminează în verde constant	Mai puțin de 25%	Încărcare
		Se aprinde verde alternativ	Oprit	Oprit	—		Între 25% și 50%	Încărcare
		Se aprinde verde alternativ	Oprit	—	—		Între 50% și 75%	Încărcare
		Se aprinde verde alternativ	—	—	—		Între 75% și 90%	Încărcare
	Full Charged	Se aprinde verde continuu				Oprit	Între 90% și 100%	Încărcare completă. Încărcare de întreținere.
—	Self-maintenance	Clipire rapidă intermitentă roșu				Oprit	Aprox. 30%	Setul de acumulatori efectuează operație de auto întreținere sau este în stare de somn. Repuneți setul de baterii pe încărcător pentru a-l încărca complet.

RO

ÎNCĂRCAREA UNUI SET DE ACUMULATORI CALD SAU RECE

Dacă setul de acumulatori nu se încadrează în intervalul de temperaturi normale, LED-ul 1 va fi aprins roșu. Când setul de acumulatori se răcește până la aproximativ 57°C (42°C pentru BAX1300, 50°C for BA2240T) sau se încălzește cu peste 3°C, încărcătorul va începe automat încărcarea și cele 4 LED-uri se vor aprinde în ordinea normală.

SETUL DE ACUMULATORI SAU ÎNCĂRCĂTOR DEFECT

Dacă încărcătorul detectează o problemă, LED-ul roșu va începe să clipească și LED-ul verde se va stinge.

PENTRU A ÎNCĂRCA BA1120E, BA1400, BA2240E, BA2242T, BA2800, BA3360, BA4200, BA1400T, BA2240T, BA2800T, BA4200T, BA5600T, BA6720T

1. Dacă este înregistrat ca defect, îndepărtați și reintroduceți setul de acumulatori în încărcător. Dacă LED-ul diagnostichează "defect" o a doua oară, încercați să încărcați un alt set de acumulatori.
2. Dacă un alt set de acumulatori se încarcă normal, debarașați-vă de setul defect de acumulatori (consultați instrucțiunile din manualul setului de acumulatori).
3. Dacă și un alt set de acumulatori indică "defect", scoateți încărcătorul din priză și așteptați până LED-ul roșu se stinge, după care reconectați ștecherul la priza electrică. Dacă LED-ul de pe încărcător afișează în continuare defect, este posibil ca încărcătorul să fie defect.

PENTRU A ÎNCĂRCA BAX1300

1. Dacă este înregistrat ca defect, îndepărtați și reconectați setul de acumulatori și adaptorul la încărcător. Dacă LED-ul diagnostichează "defect" o a doua oară, încercați să înlocuiți cu un adaptor nou sau să încărcați un alt set de acumulatori.
2. Dacă un alt adaptor sau set de acumulatori se încarcă normal, debarasați-vă de adaptorul sau de setul defect de acumulatori (consultați instrucțiunile din manualul setului de acumulatori).
3. Dacă și un alt set de acumulatori și adaptor indică "defect", scoateți încărcătorul din priză și așteptați până LED-ul 1 intermitent se stinge, după care reconectați ștecherul la priza electrică. Dacă LED-ul 1 de pe încărcător afișează în continuare defect, este posibil ca încărcătorul să fie defect.

ORIFICIILE PENTRU FIXARE PE PERETE

Încărcătorul are orificii de agățare pentru facilitarea depozitării (Fig. A-5). Instalați șuruburi în perete la o distanță de 76mm. Utilizați șuruburi suficient de puternice pentru a susține greutatea încărcătorului plus cea a setului de acumulatori (aproximativ maxim 3,3kg).

ÎNȚREȚINEREA

⚠ AVERTISMENT: Pentru evitarea vătămărilor personale grave, îndepărtați întotdeauna setul de acumulatori din sculă când efectuați curățarea sau orice operație de întreținere.

⚠ AVERTISMENT: În cazul operațiilor de service, utilizați numai piese de schimb EGO identice. Utilizarea oricărui altor piese poate crea un pericol sau poate produce o deteriorare.

⚠ AVERTISMENT: Nu se recomandă utilizarea aerului uscat comprimat ca și metodă de curățare a încărcătorului de acumulatori. În cazul care curățarea cu aer comprimat este singura metodă care poate fi utilizată, întotdeauna purtați ochelari de protecție sau ochelari de protecție cu apărători laterale când curățați scula. Dacă operația produce praf, purtați și o mască de praf.

⚠ AVERTISMENT: Dacă este deteriorat cablul de alimentare, acesta trebuie înlocuit de producător, de agentul său de service sau de persoane calificate în mod similar pentru a se evita orice pericol.

ÎNȚREȚINERE GENERALĂ

Evitați utilizarea solvenților când curățați piese din plastic. Majoritatea pieselor din plastic sunt susceptibile să se deterioreze de la diverse tipuri de solvenți comerciali și se pot defecta prin utilizarea acestora. Utilizați carpe curate pentru a îndepărta murdăria, praful, uleiul, vaselina etc.

⚠ AVERTISMENT: Nu permiteți niciodată lichidelor de frână, benzinei, produselor petroliere, uleiurilor penetrante etc. să intre în contact cu piese din plastic. Substanțele chimice pot deteriora, pot slăbi sau pot distruge plasticul, ceea ce se poate solda cu vătămări grave.

⚠ AVERTISMENT: În cazul operațiilor de service, utilizați numai piese de schimb EGO identice. Utilizarea oricărui altor piese poate crea un pericol sau poate produce o deteriorare. Pentru siguranța și fiabilitatea produsului, toate reparațiile ar trebui efectuate de către un tehnician de service la un centru de service EGO.

Protejarea mediului înconjurător



Nu eliminați echipamentul electric, încărcătorul de acumulatori și bateriile/acumulatorii împreună cu deșeurile menajere!

Conform Directivei europene 2012/19/UE, sculele echipamentele electrice și electronice care nu mai sunt utilizabile, și conform Directivei europene 2006/66/CE, seturile de acumulatori/bateriile defecte sau uzate trebuie colectate separat.

Dacă aparatele electrice sunt aruncate la groapa de gunoi sau la haldă, se pot scurge substanțe periculoase în pânza freatică și acestea pot intra în lanțul trofic, afectându-vă sănătatea și bunăstarea.

DEPANAREA

PROBLEMĂ	CAUZĂ	SOLUȚIE
Încărcătorul nu funcționează. LED1 clipește roșu sau toate LED-urile sunt stinse.	Setul de acumulatori, adaptorul sau încărcătorul este defect ori conexiunile dintre setul de baterii, adaptor și încărcător sunt slabe.	<ul style="list-style-type: none">■ Încercați să îndepărtați și să reintroduceți setul de acumulatori/adaptorul în încărcător.■ Încercați să îndepărtați și să adaptați la setul de acumulatori (For BAX1300).■ Încercați să înlocuiți adaptorul.■ Încercați să încărcați un alt set de acumulatori.■ Scoateți încărcătorul din priză și așteptați până LED-ul roșu se stinge, după care reconectați ștecherul la priza electrică.
Încărcătorul nu funcționează și LED1 este roșu.	Setul de acumulatori este prea cald sau prea rece.	Permiteți setului de acumulatori să atingă temperatura normală. Încărcarea va fi reluată când temperatura setului de acumulatori revine la intervalul 3°C-57°C (42°C pentru BAX1300, 3°C -50°C for BA2240T).

GARANȚIA

POLITICA DE GARANȚIE EGO

Vă rugăm consultați website-ul egopowerplus.com pentru termenii și condițiile complete ale politicii de garanție EGO.

RO

PREBERITE VSA NAVODILA.



PREBERITE PRIROČNIK Z NAVODILI ZA UPORABO

⚠ Preostalo tveganje! Pred uporabo izdelka se morajo osebe z elektronskimi napravami, kot je srčni spodbujevalnik, posvetovati s svojim zdravnikom. Delovanje električne opreme v bližini srčnega spodbujevalnika lahko povzroči motnje ali okvaro srčnega spodbujevalnika.

⚠ OPOZORILO: Za zagotovitev varnosti in zanesljivosti mora vsa popravila izvesti usposobljen serviser.

⚠ OPOZORILO: To napravo lahko uporabljajo otroci, starejši od 8 let, ter osebe z zmanjšanimi fizičnimi, čutnimi ali duševnimi sposobnostmi, oziroma osebe s pomanjkanjem izkušenj in znanja, če so pod nadzorom odgovorne osebe, če so prejele vsa navodila glede varne uporabe naprave in če razumejo nevarnosti, povezane z uporabo te naprave. Otroci se ne smejo igrati z napravo. Otroci naj ne izvajajo čiščenja in vzdrževanja naprave brez nadzora.

VARNOSTNI SIMBOLI

Namen varnostnih simbolov je, da pritegnejo vašo pozornost na morebitne nevarnosti. Varnostni simboli in njihova pojasnila si zaslužijo vašo pozornost in razumevanje. Opozorilni simboli sami ne odpravljajo nobene nevarnosti. Navodila in opozorila niso nadomestilo za ustrezne ukrepe za preprečevanje nesreč.

⚠ OPOZORILO: Poskrbite, da boste pred uporabo orodja prebrali in razumeli vsa varnostna navodila v priročniku z navodili za uporabo, vključno z vsemi simboli za varnostna opozorila, kot so »NEVARNOST«, »OPOZORILO«, in »SVARILLO«. Neupoštevanje spodaj navedenih navodil se lahko odrazi v električnem udaru, požaru in/ali resnih telesnih poškodbah.

VARNOSTNA NAVODILA

Na tej strani so prikazani in opisani varnostni simboli, ki se lahko pojavijo na tem izdelku. Preberite, osvojite in sledite navodilom na stroju preden ga boste poskušali sestaviti in upravljati.

	Varnostno opozorilo	Ukrepi za večjo varnost
	Preberite priročnik z navodili za uporabo	Za zmanjšanje nevarnosti poškodb je pomembno, da uporabnik prebere priročnik z navodili za uporabo.
	Uporaba v notranjih prostorih	Napravo uporabljajte le v notranjih prostorih.

	Konstrukcija razreda II	Dvojno izolirana konstrukcija
	Taljivi vložki	Miniaturni taljivi vložki s časovnim zamikom
	CE	Ta izdelek je v skladu z veljavnimi direktivami ES.
	UKCA	Ta izdelek je v skladu z veljavno zakonodajo Združenega kraljestva.
	Odpadna električna in elektronska oprema (OEE0)	Odpadnih električnih izdelkov se ne sme odlagati med gospodinjne odpadke. Odnosite jih k pooblaščenemu izvajalcu postopka recikliranja.
V	Volt	Napetost
A	Amperi	Tok
Hz	Hertz	Frekvenca (v ciklih na sekundo)
W	Watt	Napajanje
min	Minute	Čas
	Izmenični tok	Vrsta toka
	Enosmerni tok	Vrsta ali značilnost toka

⚠ OPOZORILO: Preberite in osvojite vsebino navodil. Neupoštevanje spodaj navedenih navodil se lahko odrazi v električnem udaru, požaru in/ali resnih telesnih poškodbah.

VARNOST DELOVNEGA OBMOČJA

- **Delovno območje naj bo čisto in dobro osvetljeno.** V neurejenih in temnih območjih se rade zgodijo nesreče.
- **Električnega orodja ne upravljajte v eksplozivnih okoljih, kot je ob prisotnosti vnetljivih tekočin, plinov ali prahu.** Električno orodje ustvarja iskre, ki lahko zanetijo prah ali hlape.

ELEKTRIČNA VARNOST

- **Vtiči električnih orodij se morajo prilegati vtičnicam.** Vtiča nikoli ne smete spreminjati na kakršen koli način. Z ozemljenimi električnimi orodji ne uporabljajte spremenjenega vtiča. Nespremenjeni vtiči in pripadajoče vtičnice bodo zmanjšali tveganje električnega udara.
- **Polnilnika ne izpostavljajte dežju ali vlažnim pogojem.** Voda v polnilniku znatno poveča tveganje električnega udara.
- **Kabela ne uporabljajte za neustrezne namene.** Kabela ne uporabljajte za nošenje, vlečenje ali odklapanje polnilnika. Kabel hranite stran od vročine, olja, ostrih robov ali premikajočih se delov. Poškodovani ali zapleteni kabli zvišujejo tveganje električnega udara.
- **Izogibajte se telesnemu stiku z ozemljenimi**

SL

površinami, kot so cevi, radiatorji, štedilniki in hladilniki. Če ste ozemljeni, obstaja večje tveganje električnega udara.

- Med zunanjo uporabo električnega orodja uporabljajte podaljševalni kabel, ki je primeren za zunanjo uporabo. Uporaba kabla, primernega za zunanjo uporabo, znižuje tveganje električnega udara.
- S polnilnikom EGO lahko polnite litij-ionske baterijske sklope EGO, navedene spodaj:

POLNILNIK	BATERIJSKI SKLOPI
CH5500E	BA1120E, BA1400, BA2240E, BA2240T, BA2242T, BA2800, BA3360, BA4200, BA1400T, BA2800T, BA4200T, BA5600T, BA6720T

SERVIS

- Polnilnik naj servisira kvalificirano servisno osebo, ki uporablja le identične nadomestne dele. To bo zagotovilo ohranjanje varnosti polnilnika.
- Pri servisiranju polnilnika uporabljajte le identične nadomestne dele. Upoštevajte navodila v poglavju Vzdrževanje v tem priročniku. Če uporabljate neodobrene dele ali ne upoštevate navodil v poglavju Vzdrževanje, lahko povzročite tveganje električnega udara ali poškodbe.

VARNOSTNA PRAVILA ZA POLNILNIK

⚠ SVARILO: Za zmanjšanje nevarnosti električnega udara ali poškodbe polnilnika in baterije polnite le tiste litij-ionske baterije za polnjenje, ki so izrecno označene na nalepki vašega polnilnika. Druge vrste baterij lahko eksplodirajo in povzročijo telesno poškodbo ali škodo.

- Tega aparata ne smejo uporabljati osebe (vključno z otroki) z zmanjšanimi fizičnimi, čutilnimi ali duševnimi sposobnostmi oziroma osebe s pomanjkanjem izkušenj ali znanja, razen če te osebe nadzoruje oseba, ki je odgovorna za njihovo varnost oziroma jim je te oseba posredovala navodilo o uporabi aparata.
- Pred uporabo polnilnika za baterije preberite vsa navodila in svarilne oznake v tem priročniku ter na polnilniku za baterije, bateriji in na izdelku, s katerim boste uporabljali baterijo, da tako preprečite nepravilno uporabo izdelkov in mogočo poškodbo ali škodo.
- Polnilnika ne uporabljajte zunaj ali ga izpostavljajte mokrim ali vlažnim razmeram. Voda v polnilniku znatno poveča tveganje električnega udara.
- Z mokrimi rokami ne rokujte s polnilnikom, vključno z vtičem polnilnika in sponkami polnilnika.
- Uporaba priključkov, ki jih proizvajalec polnilnika za baterije ne priporoča, lahko povzroči nevarnost požara, električnega udara ali poškodbe oseb.
- Baterijo polnite le s polnilnikom, ki ga določa proizvajalec. Polnilnik, ki ustreza eni vrsti baterij, morda lahko povzroči požar, če z njim polnite drugo vrsto baterijskega sklopa.
- Kabla ali polnilnika ne uporabljajte za neustrezne namene. Kabla ne uporabljajte za nošenje polnilnika. Kabla polnilnika ne vlecite z namenom odklopa iz priključka. Lahko pride do poškodbe kabla ali polnilnika in ustvari tveganje električnega udara. Poškodovane kable takoj zamenjajte.
- Poskrbite, da bo kabel nameščen tako, da nanj ne bo mogoče stopiti, se spotakniti in da kabel ne bo prišel v stik z ostrimi robovi ali premikajočimi se deli ali bo kakor koli drugače izpostavljen poškodbam ali obremenitvam. To bo zmanjšalo nevarnost za naključne padce, ki bi lahko povzročili poškodbo ali škodo na kablju, in kar bi se lahko kasneje odrazilo v električnem udaru.
- Kabel in polnilnik hranite stran od vročine, da preprečite poškodbe ohišja ali notranjih delov.
- Ne dovolite, da bi bencin, olja, ali izdelki, ki temeljijo na naftnih derivatih, prišli v stik s plastičnimi deli. Ti materiali vsebujejo kemikalije, ki lahko poškodujejo, oslabijo ali uničijo plastiko.
- Če ima polnilnik poškodovan kabel ali vtič, ga ne uporabljajte, saj lahko pride do kratkega stika in električnega udara. V primeru poškodb naj polnilnik popravi ali zamenja pooblaščen serviser v servisnem centru EGO.
- Polnilnika ne uporabljajte, če je prejel oster udarec, je padel ali je bil poškodovan na kakršen koli drug način. Odnosite ga na električni pregled k pooblaščenemu serviserju, da bo določil, če je polnilnik v dobrem stanju.
- Polnilnika ne razstavljajte. Kadar je potreben servis ali popravilo, polnilnik odnesite k pooblaščenemu serviserju. Nepravilna ponovna montaža lahko prevede do električnega udara ali požara.
- Polnilnik odklopite iz električne vtičnice pred kakršnim koli vzdrževanjem ali čiščenjem, da tako zmanjšate tveganje električnega udara.
- Kadar polnilnika ne uporabljate, ga odklopite iz napajanja. To bo zmanjšalo nevarnost za električni udar ali poškodbo polnilnika, če bodo v odprtno padli kovinski delci. To bo tudi pomagalo preprečiti poškodbe polnilnika med nihanjem napetosti.
- Tveganje električnega udara. Ne dotikajte se neizoliranega dela izhodnega priključka ali neizoliranih baterijskih sponk.
- Ta navodila shranite. Pogosto jih preberite. Uporabite jih tudi za poučevanje ostalih, ki uporabljajo to napravo. Če to orodje komu posodite, posodite tudi ta navodila,

da tako za preprečite nepravilno uporabo izdelka in možnosti poškodb.

POMEMBNA VARNOSTNA NAVODILA

- **Ta navodila shranite.** Ta priročnik vsebuje pomembne informacije glede varnosti in delovanja za 56-voltnega hitrega polnilnika CH5500E.
- **Pred uporabo polnilnika za baterije preberite vsa navodila in svarilne oznake na polnilniku za baterije, bateriji in izdelku, s katerim uporabljate baterijo.**

⚠ OPOZORILO: Med uporabo električnih naprav vedno upoštevajte osnovne varnostne ukrepe, vključno z naslednjimi.

- Da bi zmanjšali nevarnost poškodbe, bodite posebej previdni, ko se naprava uporablja v bližini otrok.
- Uporabljajte le priključke, ki jih priporoča oziroma prodaja proizvajalec.
- Ne uporabljajte na prostem.
- Za prenosno napravo – Za zmanjšanje nevarnosti električnega udara polnilnika ne potopite v vodo ali katero koli drugo tekočino. Naprave ne postavljajte in ne shranjujte na mestih, iz katerih lahko pade v kad ali korito.

⚠ SVARILO: Za zmanjšanje nevarnosti poškodbe polnite le litij-ionske baterije za polnjenje. Druge vrste baterij lahko eksplodirajo in povzročijo telesno poškodbo ali škodo.

TEHNIČNI PODATKI

Vhod polnilnika	220-240 V~ 50 Hz, 550W,
Izhod polnilnika	5-8 A 56 V
Čas polnjenja	Približno 25 minut za baterijski sklop BA1120E Približno 30 minut za baterijski sklop BA1400/BA2240E/BA1400T/BA2240T/BA2242T Približno 40 minut za baterijski sklop BA2800/BA2800T Približno 45 minut za baterijski sklop BA3360 Približno 60 minut za baterijski sklop BA4200/BA4200T Približno 190 minut za baterijski sklop BAX1300 Približno 70 minut za baterijski sklop BA5600T Približno 90 minut za baterijski sklop BA6720T
Optimalna temperatura polnjenja	5°C-40°C

Teža polnilnika	1,9 kg
-----------------	--------

OPIS

SPOZNAJTE SVOJ POLNILNIK (slika A)

1. Reža za montažo
2. Odprtina za hlajenje
3. Indikatorji LED
4. Električni kontakti
5. Mehak ročaj
6. Luknja za montažo na steno

DELOVANJE

KAKO NAPOLNITI BATERIJSKI SKLOP

⚠ OPOZORILO: Polnilnika ne uporabljajte zunaj ali ga izpostavljajte mokrim ali vlažnim razmeram. Voda v polnilniku znatno poveča tveganje električnega udara.

⚠ OPOMBA: Litij-ionski baterijski sklopi so dobavljeni delno napolnjeni. Pred prvo uporabo baterijski sklop popolnoma napolnite.

1. Polnilnik priključite na napajanje (220–240 V~ 50 Hz). Štiri indikatorske lučke LED za polnjenje bodo kratek čas svetile zeleno in s tem nakazale, da polnilnik deluje pravilno.
2. Poravnajte dvignjena rebra akumulatorskega sklopa/vmesnika z namestitvenimi režami na polnilniku; akumulatorski sklop/vmesnik podrsnite v polnilnik (slika B).

OPOMBA: če želite napolniti akumulatorski sklop BAX1300, najprej priključite vmesnik na akumulator.

3. Polnilnik bo komuniciral z baterijskim sklopom, da bo ocenil stanje baterijskega sklopa.
4. Ko se baterijski sklop polni, na polnilniku utripa zelena lučka LED. Indikator za napajanje na akumulatorskem (BA1120E, BA1400, BA2240E, BA2800, BA3360, BA4200) sklopu bo zaporedoma večkrat utripnil: rdeča, oranžna in zelena, ali pa bo indikator LCD za napajanje na akumulatorskem sklopu BAX1300 prikazoval številsko zmogljivost polnjenja. Zadnji segment indikatorja s 5 lučmi LED na baterijskem kompletu bo utripal zeleno (za BA1400T, BA2240T, BA2242T, BA2800T, BA4200T, BA5600T, BA6720T). Ventilator polnilnika neprekinjeno deluje, da ohlaja akumulatorski sklop.
5. Ko je baterijski sklop popolnoma napolnjen, bo zelena lučka LED prenehala utripati in bo svetila zeleno. Indikator za napajanje na akumulatorskem sklopu se bo izklopil. Počakajte, da hladilni ventilator preneha delovati, in odstranite akumulatorski sklop/vmesnik iz polnilnika ter izključite električno napajanje polnilnika.

SL

6. Če boste baterijski sklop pustili na polnilniku, se bo popolnoma napolnil, vendar se ne bo prenapolnil. Če baterijski sklop (razen za BAX1300) ostane na polnilniku en mesec ali več, bo izvedel samovzdrževanje in se izpraznil na 30 % napoljenosti. Če pride do tega, baterijski sklop ponovno namestite na polnilnik, da se bo popolnoma napolnil.

Slika C: za opis delov glejte spodaj:

C-1	LED 1	C-3	LED 3
C-2	LED 2	C-4	LED 4

Opomba:

- Znatno zmanjšan čas delovanja po popolnem polnjenju baterijskega sklopa nakazuje, da so baterije blizu konca uporabnosti in jih je treba zamenjati.
- Med polnjenjem se lahko polnilnik segreje. To je običajen del delovanja polnilnika. Polnite v dobro prezračenem prostoru.

LED FUNKCIJE POLNILNIKA

Za BA1120E, BA1400, BA2240E, BA2800, BA3360 in BA4200

INDIKATOR LED	BATERIJSKI SKLOP	LUČKA LED NA POLNILNIKU				INDIKATOR NAPAJANJA NA BATERIJSKEM SKLOPU	NAPAJANJE BATERIJSKEGA SKLOPA	DELOVANJE
		LED1	LED2	LED3	LED4			
	Okvara	Utripa rdeče ali ne sveti	Ne sveti	Ne sveti	Ne sveti	Ne sveti	—	Baterijski sklop ali polnilnik je v okvari.
	Hladna/topla baterija	Sveti rdeče	Ne sveti	Ne sveti	Ne sveti	Ne sveti	—	Polnjenje se bo začelo, ko se bo temperatura baterijskega sklopa vrnila na od 3°C–57°C.
	Polnjenje	Utripa zeleno	Ne sveti	Ne sveti	Ne sveti	Izmenično utripa rdeče, oranžno in zeleno	Manj kot 25 %	Polnjenje
		Izmenično sveti zeleno	Ne sveti	Ne sveti	Ne sveti		Od 25 % do 50 %	Polnjenje
		Izmenično sveti zeleno	Ne sveti		Ne sveti		Od 50 % do 75 %	Polnjenje
		Izmenično sveti zeleno	Ne sveti		Ne sveti		Od 75 % do 90 %	Polnjenje
	Popolnoma napolnjena	Neprekinjeno sveti zeleno				Ne sveti	Od 90 % do 100 %	Polnjenje je končano. Vzdrževalno polnjenje.
—	Samovzdrževanje	Občasno hitro utripa zeleno				Ne sveti	Približno 30 %	Baterijski sklop izvaja samovzdrževanje ali je v stanju spanja. Baterijski sklop ponovno namestite na polnilnik, da se bo popolnoma napolnil.

SL

Za BA1400T, BA2240T, BA2242T, BA2800T, BA4200T, BA5600T in BA6720T

INDIKATOR LED	BATERIJSKI SKLOP	LUČKA LED NA POLNILNIKU				INDIKATOR S 5 LED-DIODAMI NA BATERIJI	NAPAJANJE BATERIJSKEGA SKLOPA	DELOVANJE
		LED1	LED2	LED3	LED4			
	Okvara	Utripa rdeče ali ne sveti	Ne sveti	Ne sveti	Ne sveti	Ne sveti	—	Baterijski sklop ali polnilnik je v okvari.
	Hladna/topla baterija	Sveti rdeče	Ne sveti	Ne sveti	Ne sveti	Ne sveti	—	Polnjenje se bo začelo, ko se bo temperatura baterijskega sklopa vrnila na od 3°C–57°C (Za BA1400T, BA2242T, BA2800T, BA4200T, BA5600T, BA6720T)/3°C–50°C (Za BA2240T).
	Polnjenje	Utripa zeleno	Ne sveti	Ne sveti	Ne sveti	Zadnji segment bo utripal zeleno, ostali pa bodo neprekinjeno svetili zeleno.	Manj kot 25 %	Polnjenje
		Izmenično sveti zeleno		Ne sveti	Ne sveti		Od 25 % do 50 %	Polnjenje
		Izmenično sveti zeleno		Ne sveti			Od 50 % do 75 %	Polnjenje
		Izmenično sveti zeleno					Od 75 % do 90 %	Polnjenje
	Popolnoma napolnjena	Neprekinjeno sveti zeleno				Ne sveti	Od 90 % do 100 %	Polnjenje je končano. Vzdrževalno polnjenje.
—	Sam-ovzdrževanje	Občasno hitro utripa zeleno				Ne sveti	Približno 30 %	Baterijski sklop izvaja sam-ovzdrževanje ali je v stanju spanja. Baterijski sklop ponovno namestite na polnilnik, da se bo popolnoma napolnil.

SL

POLNJENJE VROČEGA ALI HLADNEGA BATERIJSKEGA SKLOPA

Če je baterijski sklop izven normalnega temperaturnega obsega, bo lučka LED1 svetila rdeče. Ko se baterijski sklop ohladi na približno 57 °C (42 °C za BAX1300, 50 °C for BA2240T) ali se segreje na več kot 3 °C, bo polnilnik samodejno začel s polnjenjem in 4 lučke LED bodo normalno svetile.

BATERIJSKI SKLOP ALI POLNILNIK JE V OKVARI

Če polnilnik naleti na težavo, bo začela utripati rdeča lučka LED, zelena lučka LED pa bo ugasnila.

POLNJENJE BA1120E, BA1400, BA2240E, BA2242T, BA2800, BA3360, BA4200, BA1400T, BA2240T, BA2800T, BA4200T, BA5600T, BA6720T

- Če zaznate okvaro, baterijski sklop odstranite in ponovno namestite v polnilnik. Če lučka LED v drugem poskusu še vedno nakazuje okvaro, poskusite polniti drug baterijski sklop.

- Če se drug baterijski sklop normalno polni, okvarjen baterijski sklop odvrzite (glejte navodila v priročniku za baterijski sklop).
- Če pri drugem baterijskem sklopu lučka še vedno nakazuje okvaro, odklopite polnilnik in počakajte, da rdeča lučka LED ugasne, nato vtič znova priključite na napajanje. Če rdeča lučka LED še vedno nakazuje okvaro, je lahko polnilnik okvarjen.

POLNJENJE BAX1300

- Če je prišlo do okvare naprave, odstranite akumulatorski sklop in polnilnik z vmesnikom in ju znova priključite. Če indikator LED še vedno prikazuje napako »defective«, poskusite zamenjati z novim vmesnikom ali napolniti drug akumulatorski sklop.
- Če polnjenje drugega vmesnika ali akumulatorskega sklopa poteka brez težav, odvrzite okvarjeni vmesnik ali akumulatorski sklop (upoštevajte navodila priročnika za akumulatorski sklop).

3. Če ste zamenjali akumulatorski sklop in vmesnik, a indikator kljub temu javlja napako »defective«, izključite polnilnik in počakajte, da lučka LED1 preneha utripati, nato pa vtič ponovno priključite na električno napajanje. Če lučka LED1 na polnilniku še vedno javlja napako »defective«, je polnilnik morda poškodovan.

LUKNJE ZA NAMESTITEV NA STENO

Polnilnik ima luknje, ki omogočajo, da ga obesite na steno, za priročno shranjevanje (slika A–5). Vijake namestite v steno z razmikom 76 mm. Uporabite primerno močne vijake, ki bodo zdržali skupno težo polnilnika in baterijskega sklopa (skupaj približno 3,3 kg).

VZDRŽEVANJE

⚠ OPOZORILO: Da bi se izognili hudim telesnim poškodbam, med čiščenjem ali vzdrževanjem iz orodja vedno odstranite baterijski sklop.

⚠ OPOZORILO: Pri servisiranju uporabljajte le identične nadomestne dele EGO. Uporaba drugih delov je tvegana in lahko povzroči škodo na izdelku.

⚠ OPOZORILO: Za čiščenje polnilnika ni priporočljivo uporabljati stisnjene suhega zraka. Če je čiščenje s stisnjanim zrakom edini način čiščenja, ki ga uporabljate, pri čiščenju orodja vedno nosite zaščitna očala ali varnostna očala s stransko zaščito. Če je postopek prašen, nosite tudi protiprašno masko.

⚠ OPOZORILO: Če je napajalni kabel poškodovan, ga mora zamenjati proizvajalec, njegov servisni zastopnik ali podobno usposobljene osebe, da preprečite nevarnost.

SL

SPLOŠNO VZDRŽEVANJE

Pri čiščenju plastičnih delov se izogibajte uporabi topil. Večina vrst plastike se lahko pri uporabi različnih komercialnih topil poškoduje. Za odstranjevanje umazanije, praha, olja in maščobe uporabljajte čiste krpe.

⚠ OPOZORILO: Nikoli naj zavoma tekočina, gorivo, izdelki na osnovi naftnih derivatov, prodirajoče olje ne pridejo v stik s plastičnimi deli. Kemikalije lahko plastiko poškodujejo, oslabijo ali uničijo, kar lahko povzroči hude telesne poškodbe.

⚠ OPOZORILO: Pri servisiranju uporabljajte le identične nadomestne dele EGO. Uporaba drugih delov je tvegana in lahko povzroči škodo na izdelku. Za zagotovitev varnosti in zanesljivosti mora vsa popravila izvesti usposobljen serviser v servisnem centru EGO.

Varovanje okolja



Električne opreme, polnilnika baterij in baterij/baterij, ki jih je mogoče polniti, ne odvrzite med gospodinjske odpadke!

V skladu z evropskim zakonom 2012/19/EU glede električne in elektronske opreme, ki ni več uporabna, in v skladu z evropskim zakonom 2006/66/EC glede pokvarjenih ali izrabljenih baterijskih sklopov/baterij, je treba baterije zbrati ločeno.

Če električne naprave odvržete na smetišča, lahko nevarne snovi pronicajo v podtalnico in tako pridejo v prehranjevalno verigo, s čimer ogrozijo vaše zdravje in dobro počutje.

ODPRAVLJANJE TEŽAV

TEŽAVA	VZROK	REŠITEV
Polnilnik ne deluje. Lučka LED1 utripa rdeče ali nobena lučka LED ne sveti.	Akumulatorski sklop, vmesnik ali polnilnik je poškodovan oz. je bila prekinjena povezava med akumulatorskim sklopom, vmesnikom in polnilnikom.	<ul style="list-style-type: none">■ Odstranite akumulatorski sklop/vmesnik in ga ponovno vstavite v polnilnik.■ Odstranite vmesnik in ga povežite z akumulatorskim sklopom (velja za BAX1300).■ Zamenjajte vmesnik.■ Poskusite polniti drug baterijski sklop.■ Odklopite polnilnik in počakajte, da rdeča lučka LED ugasne, nato vtič znova priključite na napajanje.
Polnilnik ne deluje in lučka LED1 sveti rdeče.	Baterijski sklop je prevroč ali prehladen.	Dovolite, da baterijski sklop doseže normalno temperaturo. Polnjenje se bo začelo, ko se bo temperatura baterijskega sklopa vrnila na od 3 °C–57 °C (42 °C za BAX1300, 3°C -50°C for BA2240T).

GARANCIJA

GARANCIJSKA POLITIKA DRUŽBE EGO

Za popolne pogoje garancijske politike družbe EGO obiščite spletno stran egopowerplus.com.

SL

PERSKAITYKITE VISAS INSTRUKCIJAS!



PERSKAITYKITE NAUDOJIMO INSTRUKCIJĄ

⚠ Likutinė rizika! Žmonės, kuriems implantuoti elektroniniai prietaisai, pvz., širdies stimulatoriai, prieš pradėdami naudoti šį gaminį turėtų pasikonsultuoti su savo gydytoju (-ais). Šalia širdies stimulatoriaus veikianti elektros įranga gali sukelti širdies stimulatoriaus veikimo trukdžius arba gedimą.

⚠ ĮSPĖJIMAS: norint užtikrinti saugų ir patikimą gaminio naudojimą, visus remonto darbus turi atlikti kvalifikuotas techninės priežiūros specialistas.

⚠ ĮSPĖJIMAS: prietaisu gali naudotis vaikai nuo 8 metų bei žmonės, turintys mažesnius fizinius, jutimo arba protinius gebėjimus arba mažiau patirties ir žinių, jeigu yra prižiūrimi arba jiems buvo pateiktos instrukcijos, kaip saugiai naudotis prietaisu, ir jie supranta kylančius pavojus. Vaikams negalima žaisti su prietaisu. Vaikai gali valyti prietaisą ir atlikti prietaiso priežiūros darbus tik prižiūrimi.

SAUGOS SIMBOLIAI

Šių simbolių tikslas yra atkreipti jūsų dėmesį į galimus pavojus. Gerai susipažinkite su saugos simboliais bei jų paaiškinimais ir juos įsidėmėkite. Simbolių įspėjimai patys savaime negali apsaugoti nuo pavojų. Jais žymimi nurodymai ir įspėjimai neatstoja tinkamų nelaimingų atsitikimų prevencijos priemonių.

⚠ ĮSPĖJIMAS: prieš pradėdami naudoti šį gaminį perskaitykite visus šioje naudojimo instrukcijoje pateiktus saugos nurodymus, taip pat susipažinkite su visais saugos įspėjimaisiais simboliais, tokiais kaip „PAVOJUS“, „ĮSPĖJIMAS“ ir „PERSPĖJIMAS“, ir įsitikinkite, kad juos supratote. Nesilaikant visų toliau išdėstytų nurodymų galima patirti elektros smūgį, sukelti gaisrą ir (arba) sunkiai susižeisti.

SAUGOS NURODYMAI

Šiame puslapyje pavaizduoti ir aprašyti saugos simboliai, kurie gali būti naudojami ant šio gaminio. Prieš pradėdami surinkti ir naudoti prietaisą, perskaitykite visus ant jo pateiktus nurodymus, įsitikinkite, kad juos supratote, ir jais vadovaukitės.

	Saugos įspėjimas	Atsargumo priemonės, skirtos jūsų saugumui užtikrinti
	Perskaitykite naudojimo instrukciją	Norėdamas sumažinti susižeidimo riziką, naudotojas privalo perskaityti naudojimo instrukciją.

	Naudojimas patalpoje	Prietaisą naudokite tik patalpoje
	II klasės konstrukcija	Dvigubos izoliacijos konstrukcija
T6,3A 	Lydziosios jungės	Labai mažos lydziosios jungės su laiko išlaikymu
	CE	Šis gaminys atitinka taikomas EB direktyvas.
	UKCA	Šis gaminys atitinka jam taikomus JK reglamentus.
	WEEE	Elektros prietaisų atliekas draudžiama utilizuoti kartu su buitinėmis atliekomis. Perduoti įgiotam perdirbėjui.
V	Voltas	Įtampa
A	Amperai	Srovė
Hz	Hercai	Dažnis (ciklai per sekundę)
W	Vatas	Galia
min	Minutės	Laikas
	Kintamoji elektros srovė	Srovės tipas
	Nuolatinė elektros srovė	Srovės tipas arba charakteristika

⚠ ĮSPĖJIMAS: perskaitykite ir išsiaiškinkite visus nurodymus. Nesilaikant visų toliau išdėstytų nurodymų galima patirti elektros smūgį, sukelti gaisrą ir (arba) sunkiai susižeisti.

DARBO VIETOS SAUGA

- Darbo vieta turi būti švari ir gerai apšviesta. Jei darbo vieta netvarkinga ar blogai apšviesta, gali įvykti nelaimingų atsitikimų.
- Nenaudokite „EGO“ įkroviklio sprogioje aplinkoje, ten, kur yra degių skysčių, dujų ar dulkių. Įkroviklis gali sukelti kibirkštis, kurios gali uždegti dulkes arba garus.

ELEKTROS SAUGA

- Elektros įrenginių kištukai turi tikt kištukiniams lizdams. Niekada nebandykite kaip nors pakeisti kištuko. Nenaudokite kištukų adapterių su žemintais elektros prietaisais. Naudodami nepakeistus kištukus ir tinkamus kištukinius lizdus mažiau rizikuosite patirti elektros smūgį.
- Nelaikykite įkroviklio lietuje arba drėgnose vietose. Į įkroviklį patekęs vanduo padidina riziką patirti elektros smūgį.
- Nenaudokite laido netinkamai. Niekada nenaudokite laido norėdami nešti, traukti arba atjungti įkroviklį.

Laikykite laidą atokiau nuo šilumos, tepalų, aštrių kampų ar judančių dalių. Pažeidus arba supainiojus laidus kyla didesnė rizika patirti elektros smūgį.

- **Stenkitės nesiliesti prie įžemintų paviršių, tokių kaip vamzdžiai, radiatoriai, viryklės ir šaldytuvai.** Esant įžemintam kūnui kyla didesnė rizika patirti elektros smūgį.
- **Naudodamiesi elektros prietaisu lauke, naudokite laukui skirtą laido ilgintuvą.** Naudojantis laukui skirtu laidu mažėja rizika patirti elektros smūgį.
- „EGO“ įkroviklius galima įkrauti toliau išvardytus „EGO“ ličio jonų akumuliatorius:

ĮKROVKLIS	AKUMULIATORIAI
CH5500E	BA1120E, BA1400, BA2240E, BA2240T, BA2242T, BA2800, BA3360, BA4200, BA1400T, BA2800T, BA4200T, BA5600T, BA6720T

TECHNINĖ PRIEŽIŪRA

- Įkroviklio techninę priežiūrą turi atlikti kvalifikuotas asmuo ir dalis keisti tik originaliomis atsarginėmis dalimis. Taip užtikrinsite, kad įkroviklio saugumas nesumažės.
- Atlikdami įkroviklio techninę priežiūrą naudokite tik originalias atsargines dalis. Vadovaukitės šio vadovo techninės priežiūros skyriuje pateiktais nurodymais. Naudojant neoriginalias dalis ar nesilaikant techninės priežiūros nurodymų gali kilti elektros smūgio arba sužeidimų pavojus.

ĮKROVKILIO SAUGOS NURODYMAI

▲ PERSPĖJIMAS: norėdami sumažinti elektros smūgio arba įkroviklio ir akumuliatoriaus pažeidimo riziką, kraukite tik tuos pakartotinai įkraunamus ličio jonų akumuliatorius, kurie yra specialiai nurodyti ant įkroviklio etiketės. Kiti akumuliatorių tipai gali sprogti ir taip sužaloti žmogų arba padaryti žalą.

- Asmenys (įskaitant vaikus), turintys mažesnius fizinius, jutimo arba protinius gebėjimus arba mažiau patirties bei žinių, gali naudotis šiuo prietaisu tik tuomet, jeigu yra prižiūrimi arba už jų saugumą atsakingas asmuo juos instruktavo, kaip saugiai naudotis prietaisu.
- **Prieš naudodamiesi akumuliatoriaus įkrovikliu perskaitykite visas instrukcijas ir perspėjamuosius ženklinius, pateiktus šiame vadove ir ant akumuliatoriaus įkroviklio, akumuliatoriaus ir produkto, kuriam bus naudojamas akumuliatorius, kad išvengtumėte neteisingo produkto naudojimo ir galimo susižeidimo arba žalos.**
- **Nenaudokite įkroviklio lauke arba nelaikykite šlapiose ir drėgnose vietose.** Į įkroviklį patekęs vanduo padidina riziką patirti elektros smūgį.
- **Neimkite įkroviklio, įskaitant įkroviklio kištuko ir**

įkroviklio gnybtų, šlapiomis rankomis.

- **Naudojant nerekomenduojamus arba ne akumuliatoriaus įkroviklio gamintojo paruošamus priedus gali kilti gaisro, elektros smūgio arba susižeidimo rizika.**
- **Pakartotinai kraukite tik naudodamiesi gamintojo nurodytu įkrovikliu.** Naudojant kitam akumuliatoriaus tipui tinkamą įkroviklį gali kilti gaisro rizika.
- **Nenaudokite laido arba įkroviklio netinkamai.** Niekada nenaudokite laido, norėdami nešti įkroviklį. Netraukite įkroviklio laido, norėdami ištraukti kištuką iš kištukinio lizdo. Dėl laido arba įkroviklio pažeidimo gali kilti elektros smūgio rizika. Nedelsiant pakeiskite pažeistus laidus.
- **Įsitinkinkite, kad ant laido neužminsite, už jo neužkliūsite, jis nesiliečia prie aštrių kraštų arba judančių dalių arba kitaip nebus pažeistas arba įtemptas.** Taip sumažinsite riziką netikėtai nukristi, dėl ko galima susižeisti arba pažeisti laidą ir patirti elektros smūgį.
- **Laikykite laidą ir įkroviklį atokiau nuo šilumos, kad išvengtumėte korpuso arba vidinių dalių pažeidimo.**
- **Venkite plastikinius dalių kontakto su benzinu, tepalais, naftos produktais ir pan.** Šiose medžiagose yra chemikalų, kurie gali pažeisti, susilpninti arba sunaikinti plastiką.
- **Nenaudokite įkroviklio su pažeistu laidu arba kištuku, nes tai gali sukelti trumpąjį jungimą arba elektros smūgį.** Pažeistą įkroviklį turi taisyti arba pakeisti įgaliotas techninės priežiūros specialistas „EGO“ techninio aptarnavimo centre.
- **Nenaudokite įkroviklio, jei jis buvo stipriai sutrenktas, numestas arba kitaip pažeistas.** Nuneškite jį įgaliotam techninės priežiūros specialistui, kad patikrintų elektrinę dalį ir nustatytų, ar įkroviklis veikia tinkamai.
- **Neardykite įkroviklio.** Jeigu reikalinga techninė priežiūra arba taisymas, nuneškite jį įgaliotam techninės priežiūros specialistui. Netinkamai surinkus prietaisą gali kilti elektros smūgio arba gaisro rizika.
- **Prieš pradėdami techninės priežiūros arba valymo darbus atjunkite įkroviklį nuo elektros lizdo, kad sumažintumėte elektros smūgio riziką.**
- **Nenaudojamą įkroviklį atjunkite nuo maitinimo šaltinio.** Taip sumažinsite riziką patirti elektros smūgį arba sugadinti įkroviklį, jeigu į ertmę įkristų metalinių daiktų. Tai taip pat padės išvengti įkroviklio sugadinimo galios šuolio atveju.
- **Elektros smūgio rizika.** Nelieskite neizoliuotos išvesties jungties dalies arba neizoliuoto akumuliatoriaus gnybto.
- **Išsaugokite šias instrukcijas.** Dažnai jas pavartykite

ir naudokitės jomis mokydami kitus asmenis, kurie gali naudoti šį prietaisą. Skolindami šį prietaisą kam nors kitam, taip pat paskolinkite ir šias instrukcijas, kad būtų išvengta netinkamo produkto naudojimo arba galimo susižeidimo.

SVARBŪS SAUGOS NURODYM AI

- **Išsaugokite šias instrukcijas.** Šiame vadove yra svarbios saugos ir naudojimo instrukcijos, skirtos 56 V greitajam įkrovikliui CH5500E.
- **Prieš naudodami akumuliatoriaus įkroviklį perskaitykite visas instrukcijas ir perspėjamuosius ženklus ant akumuliatoriaus įkroviklio, akumuliatoriaus ir produkto, kuriam bus naudojamas akumuliatorius.**

⚠ ĮSPĖJIMAS: naudodamiesi elektros prietaisais visada laikykitės pagrindinių atsargumo priemonių, įskaitant šias.

- Siekiant sumažinti susižeidimo riziką, būtina atidi priežiūra tuomet, kai prietaisas naudojamas netoli vaikų.
- Naudokite tik gamintojo rekomenduojamus arba parduodamus priedus.
- Nenaudokite lauke.
- Jeigu prietaisas nešiojamas, norėdami sumažinti elektros smūgio riziką, nedėkite įkroviklio į vandenį arba kitus skysčius. Nedėkite ir nelaikykite prietaiso ten, kur jis gali nukristi arba būti įtrauktas į vonią arba kriauklę.

⚠ PERSPĖJIMAS: norėdami sumažinti susižeidimo riziką, kraukite tik ličio jonų pakartotinai įkraunamus akumuliatorius. Kiti akumuliatorių tipai gali sprogti ir taip sužaloti žmogų arba padaryti žalos.

TECHNINIAI DUOMENYS

Įkroviklio įvestis	220-240 V~ 50 Hz, 550W,
Įkroviklio išvestis	5-8 A 56 V 
Greitojo įkrovimo laikas	Apie 25 minutes, esant BA1120E akumuliatoriui Apie 30 minučių, esant BA1400/BA2240E / BA1400T/BA2240T / BA2242T akumuliatoriui Apie 40 minučių, esant BA2800/BA2800T akumuliatoriui Apie 45 minutes, esant BA3360 akumuliatoriui Apie 60 minučių, esant BA4200/BA4200T akumuliatoriui Apie 190 minučių, esant BAX1300 akumuliatoriui Apie 70 minučių, esant BA5600T akumuliatoriui Apie 90 minučių, esant BA6720T akumuliatoriui

Optimali įkrovimo temperatūra	5°C-40°C
Įkroviklio svoris	1,9 kg

APRAŠYMAS

APIE ĮKROVIKLĮ (A pav.)

1. Montavimo anga
2. Aušinimo oro prievadas
3. LED indikatoriai
4. Elektriniai kontaktai
5. Minkšta rankena
6. Montavimo ant sienos anga

VEIKIMAS

AKUMULIATORIAUS ĮKROVIMAS

⚠ ĮSPĖJIMAS: nenaudokite įkroviklio lauke arba nelaikykite šlapiose ir drėgnose vietose. Į įkroviklį patekęs vanduo padidina riziką patirti elektros smūgį.

⚠ PASTABA: ličio jonų akumuliatoriai tiekiami iš dalies įkrauti. Prieš naudodami akumuliatorių pirmą kartą, pilnai jį įkraukite.

1. Prijunkite įkroviklį prie maitinimo šaltinio (220-240 V~, 50 Hz). Keturi įkrovimo LED indikatoriai trumpai užsidegs žaliai, nurodymai, kad įkroviklis veikia tinkamai.
2. Akumuliatoriaus bloko (adapterio) iškyšas įstatykite į įkroviklio angas; įkiškite akumuliatorių bloką (adapterį).

PASTABA: jeigu norite įkrauti BAX1300 akumuliatorių bloką, pradžioje prie akumuliatoriaus prijunkite adapterį.

3. Įkroviklis palaiko ryšį su akumuliatoriumi, kad įvertintų akumuliatoriaus būklę.
4. Akumuliatoriui kraunantis, keturi įkroviklio įkrovimo LED indikatoriai dega žaliai šia seka: iš kairės į dešinę, nurodymai įkrovimo lygį; žr. C pav. Įkrovimo indikatorius ant akumuliatorių bloko (BA1120E, BA1400, BA2240E, BA2800, BA3360, BA4200) mirksės šia tvarka: raudonas, oranžinis, žalias, o LCD įkrovimo indikatorius ant BAX1300 akumuliatorių bloko įkrovimo eiga rodys skaičiais. Paskutinis 5 kontrolinių šviesos diodų lemputė segmentas mirksės žalia spalva (Skirta BA1400T, BA2240T, BA2242T, BA2800T, BA4200T, BA5600T, BA6720T). Įkroviklio ventiliatorius nuolat dirba, kad vėsintų akumuliatorių bloką.
5. Akumuliatoriui pilnai įsikrovus, įkroviklio LED indikatoriai nustoja mirksėti pakaitomis ir nuolatos šviečia žaliai. Įkrovimo indikatorius ant akumuliatorių bloko užges. Palaukite, kol išsijungęs vėsinimo ventiliatorius, ištraukite iš įkroviklio akumuliatorių bloką (adapterį) ir atjunkite įkroviklį nuo maitinimo įtampos.
6. Akumuliatorius, paliktas ant įkroviklio, pilnai įsikraus, tačiau nepersikraus. Jei akumuliatorių paliksite (išskyrus BAX1300) ant įkroviklio mėnesiui ar ilgiau, jis pats atliks savaiminės techninės priežiūros darbus ir sumažins įkrovą 30 %. Jei taip nutiks, iš naujo

padėkite akumuliatorių ant įkroviklio ir pilnai įkraukite.

C pav. pateiktų dalių aprašymas:

C-1	LED 1	C-3	LED 3
C-2	LED 2	C-4	LED 4

- Įkrovimo metu įkroviklis gali sušilti. Tai yra normalaus įkroviklio veikimo dalis. Kraukite gerai vėdinamoje vietoje.

PASTABA:

- jei iki galo įkrovus akumuliatorių jo veikimo laikas yra gerokai sutrumpėjęs, tai rodo, kad baigiasi baterijų eksploatavimo laikas ir jas reikia pakeisti.

ĮKROVIKLIO LED FUNKCIJOS

Skirta BA1120E, BA1400, BA2240E, BA2800, BA3360 ir BA4200

LED INDIKATORIUS	AKUMULIATORIUS	ĮKROVIKLIO LED INDIKATORIUS				AKUMULIATORIAUS MAITINIMO INDIKATORIUS	AKUMULIATORIAUS GALIA	VEIKSMAS
		LED1	LED2	LED3	LED4			
	Sugedęs	Mirksi raudonai arba išjungtas	Išjungtas	Išjungtas	Išjungtas	Išjungtas	—	Akumuliatorius arba įkroviklis yra sugedęs.
	Šaltas arba karštas akumuliatorius	Šviečia raudonai	Išjungtas	Išjungtas	Išjungtas	Išjungtas	—	Įkrovimas prasidės, kai akumuliatoriaus temperatūra bus nuo 3 °C iki 57 °C
	Įkraunamas	Mirksi žaliai	Išjungtas	Išjungtas	Išjungtas	Mirksi raudonai, oranžiniai ir žaliai pakaitomis	Mažiau nei 25 %	Įkraunamas
		Šviečia žaliai pakaitomis		Išjungtas	Išjungtas		Nuo 25 % iki 50 %	Įkraunamas
		Šviečia žaliai pakaitomis			Išjungtas		Nuo 50 % iki 75 %	Įkraunamas
		Šviečia žaliai pakaitomis					Nuo 75 % iki 90 %	Įkraunamas
	Pilnai įkrautas	Šviečia žaliai nuolatos				Išjungtas	Nuo 90 % iki 100 %	Įkrovimas baigtas. Palaikomas įkrovimas.
—	Savaiminė techninė priežiūra	Protarpiais greitai mirksi žaliai				Išjungtas	Apie 30 %	Akumuliatorius veikia savaiminės techninės priežiūros arba miego režimu. Iš naujo padėkite akumuliatorių ant įkroviklio ir pilnai įkraukite.

LT

Skirta BA1400T, BA2240T, BA2242T, BA2800T, BA4200T, BA5600T ir BA6720T

LED INDIKATORIUS	AKUMULIATORIUS	ĮKROVIKLIO LED INDIKATORIUS				SUDĖTINĖS BATERIJOS 5 LED INDIKATORIAI	AKUMULIATORIAUS GALIA	VEIKSMAS
		LED1	LED2	LED3	LED4			
	Sugedęs	Mirksi raudonai arba išjungtas	Išjungtas	Išjungtas	Išjungtas	Išjungtas	—	Akumuliatorius arba įkroviklis yra sugedęs.
	Šaltas arba karštas akumuliatorius	Šviečia raudonai	Išjungtas	Išjungtas	Išjungtas	Išjungtas	—	Įkrovimas prasidės, kai akumuliatoriaus temperatūra bus nuo 3°C iki 57°C (Skirta BA1400T, BA2242T, BA2800T, BA4200T, BA5600T, BA6720T) 3°C iki 50°C (Skirta BA2240T).
	Įkraunamas	Mirksi žaliai	Išjungtas	Išjungtas	Išjungtas	Paskutinis segmentas mirksės žaliai, likę degs nepertaukiamai žalia spalva	Mažiau nei 25 %	Įkraunamas
		Šviečia žaliai pakaitomis		Išjungtas	Išjungtas		Nuo 25 % iki 50 %	Įkraunamas
		Šviečia žaliai pakaitomis		Išjungtas	Išjungtas		Nuo 50 % iki 75 %	Įkraunamas
		Šviečia žaliai pakaitomis		Išjungtas	Išjungtas		Nuo 75 % iki 90 %	Įkraunamas
	Pilnai įkrautas	Šviečia žaliai nuolatos				Išjungtas	Nuo 90 % iki 100 %	Įkrovimas baigtas. Palaikomas įkrovimas.
—	Savaiminė techninė priežiūra	Protarpiais greitai mirksi žaliai				Išjungtas	Apie 30 %	Akumuliatorius veikia savaiminės techninės priežiūros arba miego režimu. Iš naujo padėkite akumuliatorių ant įkroviklio ir pilnai įkraukite.

LT
KARŠTO ARBA ŠALTO AKUMULIATORIAUS ĮKROVIMAS

Jeigu akumuliatoriaus temperatūra neatitinka normalios temperatūros ribų, LED1 dega raudonai. Kai akumuliatoriaus temperatūra nukrenta iki maždaug 57 °C (BAX1300 temperatūra 42 °C, 50°C for BA2240T) arba pakyla iki daugiau nei 3 °C, įkroviklis automatiškai pradeda įkrovimą ir 4 LED indikatoriai veikia normalia seka.

SUGEDĖS AKUMULIATORIUS ARBA ĮKROVIKLIS

Jeigu įkroviklis aptinka problemą, LED1 mirksi raudonai arba visi LED indikatoriai išsijungia.

IMTI BA1120E, BA1400, BA2240E, BA2242T, BA2800, BA3360, BA4200, BA1400T, BA2240T, BA2800T, BA4200T, BA5600T, BA6720T

1. Jeigu rodo gedimą, išimkite ir vėl įdėkite akumuliatorių į įkroviklį. Jeigu LED indikatoriai nurodo „gedimą“ antrą kartą, pabandykite įkrauti kitą akumuliatorių.
2. Jeigu kitas akumuliatorius kraunamas normaliai, sugedusį akumuliatorių išmeskite (žr. nurodymus akumuliatoriaus vadove).
3. Jeigu rodo, kad kitas akumuliatorius taip pat yra „sugedęs“, atjunkite įkroviklį nuo maitinimo šaltinio ir palaukite kol išsijungs mirksintis LED1 indikatorius,

tuomet vėl prijunkite prie maitinimo šaltinio. Jeigu įkroviklio LED1 vis tiek rodo gedimą, įkroviklis gali būti sugedęs.

IMTI BAX1300

1. Jeigu sistema aptinka klaidą, akumuliatorių bloką ar adapterį atjunkite ir vėl prijunkite prie įkroviklio. Jeigu LED indikatorius antrą kartą praneša apie klaidą, pabandykite pakeisti adapterį arba įkrauti kitą akumuliatorių bloką.
2. Jeigu kitas adapteris ar akumuliatorių blokas įsikrauna normaliai, sugedusi adapterį ar akumuliatorių bloką utilizuokite (žr. nurodymus akumuliatorių bloko vadove).
3. Jeigu pakeitus ir akumuliatorių bloką, ir adapterį sistema vis vien praneša apie klaidą, įkroviklį išjunkite, palaukite, kol LED1 lemputė užges, ir vėl įjunkite įkroviklį į elektros lizdą. Jeigu įkroviklio LED1 vis vien rodo klaidą, įkroviklis gali būti sugedęs.

MONTAVIMO ANT SIENOS ANGOS

Įkroviklis turi pakabinimui skirtas angas, kad būtų patogų jį laikyti (A-6 pav.). Sienoje įsukite varžtus 76 mm atstumu vienas nuo kito. Naudokite pakankamai tvirtus varžtus, kad jie išlaikytų ir įkroviklio, ir akumuliatoriaus svorį (maksimaliai apie 4,1 kg).

TECHNINĖ PRIEŽIŪRA

⚠️ ĮSPĖJIMAS: norėdami išvengti rimtų sužeidimų, visada išimkite akumuliatorių iš prietaiso, kai valote arba atliekate techninę priežiūrą.

⚠️ ĮSPĖJIMAS: atlikdami techninės priežiūros darbus, naudokite tik originalias „EGO“ atsargines dalis. Bet kokių kitų dalių naudojimas gali kelti pavojų arba sugadinti gaminį.

⚠️ ĮSPĖJIMAS: nerekomenduojama naudoti suspaustą sausą orą įkrovikliui valyti. Jeigu įmanoma pritaikyti tik valymo suspaustu oru būdą, valydami prietaisą visada dėvėkite akių apsaugą arba apsauginius akinius su šoninėmis apsaugomis. Jeigu valymo metu susidaro daug dulkių, naudokite respiratorių.

⚠️ ĮSPĖJIMAS: esant pažeistam maitinimo laidui, kad būtų išvengta pavojaus, jį privalo pakeisti gamintojas, gamintojo techninio aptarnavimo tarpininkas arba panašios kvalifikacijos asmuo.

BENDROJI TECHNINĖ PRIEŽIŪRA

Valydami plastikinę dalis nenaudokite tirpiklių. Įvairūs komerciniai tirpikliai gali pažeisti daugelį plastikų ir neturėtų būti naudojami, nes gali sugadinti gaminį. Norėdami nuvalyti purvą, dulkes, tepalus, riebalus ir pan., naudokite švarias šluostes.

⚠️ ĮSPĖJIMAS: jokių būdu neleiskite ant plastikinių dalių patekti stabdžių skysčiui, benzinui, naftos produktams, skvarbiai alyvai ir pan. Chemikalai gali sugadinti, susilpninti arba suardyti plastiką. Dėl to galite sunkiai susižaloti.

⚠️ ĮSPĖJIMAS: atlikdami techninės priežiūros darbus, naudokite tik originalias „EGO“ atsargines dalis. Bet kokių kitų dalių naudojimas gali kelti pavojų arba sugadinti gaminį. Norint užtikrinti saugumą ir patikimumą, visus remonto darbus turi atlikti kvalifikuotas techninės priežiūros specialistas „EGO“ techninio aptarnavimo centre.

Aplinkos apsauga



Draudžiama išmesti elektros įrangą, akumuliatorių įkroviklį ir akumuliatorius arba įkraunamus akumuliatorius kartu su buitinėmis atliekomis!

Pagal Europos Parlamento ir Tarybos direktyvas 2012/19/EB ir 2006/66/EB nenaudojama elektros ir elektronikos įranga ir nenaudojami arba sugedę akumuliatoriai ir (arba) baterijos turi būti surenkami atskirai ir pašalinami aplinkai nekenkiančiu būdu.

Elektros prietaisus užkasus su atliekomis arba išmetus sąvartynuose, pavojingos medžiagos gali patekti į gruntinį vandenį ir į maisto grandinę, taip pakenkti jūsų sveikatai ir gerovei.

TRIKČIŲ DIAGNOSTIKA

PROBLEMA	PRIEŽASTIS	SPRENDIMAS
Įkroviklis neveikia. LED1 miksi raudonai arba visi LED indikatoriai nedega.	Sugedęs akumuliatorių blokas, adapteris ar įkroviklis, arba blogai sujungti akumuliatorių blokas, adapteris ir įkroviklis.	<ul style="list-style-type: none">■ Pabandykite akumuliatorių bloką (adapterį) išimti ir vėl įdėti į įkroviklį.■ Pabandykite adapterį atjungti ir vėl prijungti prie akumuliatorių bloko (taikoma BAX1300).■ Pabandykite pakeisti adapterį.■ Pabandykite krauti kitą akumuliatorių.■ Atjunkite įkroviklį nuo maitinimo šaltinio ir laukite, kol išsijungs raudonas LED indikatorius, tuomet vėl prijunkite prie maitinimo šaltinio.
Įkroviklis neveikia ir LED1 šviečia raudonai.	Akumuliatorius per karštas arba per šalta--s.	Palaukite, kol akumuliatoriaus temperatūra bus normali. Įkrovimas prasidės, kai akumuliatoriaus temperatūra bus nuo 3 °C iki 57 °C (BAX1300 temperatūra 42 °C, 3°C -50°C for BA2240T).

GARANTIJA**„EGO“ GARANTINIS POLISAS**

Norėdami sužinoti visas „EGO“ garantinio poliso sąlygas, apsilankykite interneto svetainėje egopowerplus.com.

IZLASIET VISAS INSTRUKCIJAS!



IZLASIET EKSPLOATĀCIJAS INSTRUKCIJU

⚠ Atlikušais risks! Cilvēkiem ar elektroniskām ierīcēm, piemēram, elektrokardiosimulatoru, pirms šī produkta lietošanas jākonsultējas ar savu(-iem) ārstu(-iem). Elektrisko iekārtu darbība elektrokardiosimulatora tuvumā var izraisīt tā darbības traucējumus vai apstāšanos.

⚠ BRĪDINĀJUMS: Lai garantētu drošību un uzticamību, visi remontdarbi jāveic kvalificētam servisa speciālistam.

⚠ BRĪDINĀJUMS: Šo ierīci var izmantot bērni vecumā no 8 gadiem un personas ar ierobežotām fiziskajām, sensorajām vai garīgajām spējām vai bez pietiekamas pieredzes un zināšanām, ja viņiem ir parādīts vai arī viņi tikuši apmācīti lietot šo ierīci drošā veidā un izprot saistītos apdraudējumus. Bērni ar šo ierīci nedrīkst spēlēt. Tīrīšanu un apkopi nedrīkst veikt bērni bez uzraudzības.

DROŠĪBAS SIMBOLI

Drošības simbolu mērķis ir piesaistīt jūsu uzmanību uz iespējamām briesmām. Lūdzu, rūpīgi izpētiet un izprotiet drošības simbolus un to skaidrojumus. Brīdinājumu simboli paši par sevi nenovērš nekādu apdraudējumu. To sniegtie norādījumi un brīdinājumi neaizstāj īstus negadījumu novēršanas pasākumus.

⚠ BRĪDINĀJUMS: Noteikti izlasiet un izprotiet visus drošības norādījumus šajā ekspluatācijas rokasgrāmatā, ieskaitot visus drošības brīdinājuma simbolus, kā "BĪSTAMI", "BRĪDINĀJUMS" un "UZMANĪBU!" pirms šīs ierīces lietošanas. Visu turpmāko norādījumu neievērošana var izraisīt elektrošoku, ugunsgrēku un/vai smagu miesas bojājumu.

DROŠĪBAS INSTRUKCIJAS

Šajā lapā attēloti un aprakstīti drošības simboli, kas var būt uz šī produkta. Izlasiet, izprotiet un ievērojiet visus norādījumus uz instrumenta, pirms mēģināt to samontēt un darbināt.

	Drošības brīdinājums	Piesardzības pasākumi, kas attiecas uz jūsu drošību
	Izlasiet ekspluatācijas instrukciju	Lai samazinātu savainojumu risku, lietotājam ir jāizlasa ekspluatācijas instrukcija.

	Lietošana iekštelpās	Lietojiet šo ierīci tikai telpās
	II klases elektroiekārta	Dubultas izolācijas iekārta
T6,3A 	Drošinātāju ieliktnī	Kavētas darbības miniatūrs drošinātāja ieliktnis
	CE	Šis izstrādājums atbilst piemērojamajām Eiropas Komisijas (EK) direktīvām.
	UKCA	Šis produkts atbilst spēkā esošajiem Apvienotās Karalistes tiesību aktiem.
	EEIA	Elektriskos izstrādājumus nedrīkst utilizēt kopā ar sadzīves atkritumiem. Nogādājiet tos pilnvarotam atkritumu pārstrādātājam.
V	Volti	Spriegums
A	Ampēri	Strāva
Hz	Herci	Frekvence (cikli sekundē)
W	Vati	Jauda
min	Minūtes	Laiks
	Mainstrāva	Strāvas veids
	Līdzstrāva	Strāvas veids vai raksturīgās īpašības

⚠ BRĪDINĀJUMS: Izlasiet un izprotiet visas instrukcijas. Visu turpmāko norādījumu neievērošana var izraisīt elektrošoku, ugunsgrēku un/vai smagu miesas bojājumu.

DROŠĪBA DARBA VIETĀ

- Turiet darba vietu tīru un labi apgaismotu. Pārblīvētās vai tumšās vietās var notikt nelaimes gadījums.
- Nedarbiniet EGO lādētāju sprādzienbīstamā vidē, piemēram, uzliesmojošu šķidrumu, gāzu vai putekļu tuvumā. Lādētājs var radīt dzirksteles, kas var aizdedzināt putekļus vai tvaikus.

ELEKTRODROŠĪBA

- **Elektroinstrumenta kontaktdakšai jāatbilst kontaktligzdai.** Nekad nekādā veidā nepārveidojiet kontaktdakšu. Nelietojiet adaptera kontaktdakšas iezemētiem elektroinstrumentiem. Nemodificētas kontaktdakšas un atbilstošas kontaktligzdas samazinās elektrošoka risku.
- **Nelietojiet lādētāju lietū vai mitrumā.** Lādētāja iekļuvušais ūdens palielina elektrošoka risku.
- **Nevelciet aiz vada.** Nekad nenesiet un nevelciet aiz vada vai neraujiet to, lai atvienotu lādētāju no

LV

kontaktligzdas. Turiet vadu prom no karstuma avotiem, eļļas, asām malām vai kustīgām daļām. Bojāti vai sapinušies vadi var palielināt elektrošoka risku.

- Izvairieties no ķermeņa saskares ar iezemētām virsmām, piemēram, caurulēm, radiatoriem, plītiem un ledusskapjiem. Pastāv paaugstināts risks saņemt elektrošoku, ja jūsu ķermenis ir saņemts.
- Lietojot elektroinstrumentu ārā, izmantojiet pagarinātāja vadu, kas piemērots izmantošanai ārpus telpām. Lietojot vadu, kas piemērots darbam ārpus telpām, tiek samazināts elektrošoka risks.
- EGO lādētājs var uzlādēt sekojošos EGO litiņa jonu akumulatorus:

LĀDĒTĀJS	AKUMULATORI
CH5500E	BA1120E, BA1400, BA2240E, BA2240T, BA2242T, BA2800, BA3360, BA4200, BA1400T, BA2800T, BA4200T, BA5600T, BA6720T

APKALPES DARBI

- Visi remontdarbi attiecībā uz jūsu lādētāju jāveic kvalificētam servisa speciālistam, izmantojot vienīgi identiskas rezerves daļas. Tas nodrošinās lādētāja drošības ievērošanu.
- Remontējot lādētāju, izmantojiet vienīgi identiskas rezerves daļas. Sekojiet norādījumiem šīs rokasgrāmatas apkopes darbu sadaļā. Neapstiprinātu daļu lietošana vai apkopes instrukciju neievērošana var radīt elektrošoka vai traumas risku.

LĀDĒTĀJA DROŠĪBAS NOTEIKUMI

LV

⚠ UZMANĪBU! Lai samazinātu elektrošoka risku vai iespējamu bojājumu lādētājam un akumulatoram, lādējiet tikai tos uzlādējamās litiņa jonu akumulatorus, kas norādīti uz jūsu lādētāja etiķetes. Cita veida akumulatori var eksplodēt, izraisot savainojumus vai bojājumus.

- Šī ierīce nav paredzēta lietošanai personām (ieskaitot bērnus) ar ierobežotām fiziskajām, sensorajām vai garīgajām spējām vai bez pietiekamas pieredzes un zināšanām, ja vien viņiem par drošību atbildīgā persona nav parādījis vai apmācījis lietot šo ierīci.
- Pirms akumulatora lādētāja lietošanas izlasiet visas instrukcijas un brīdinājuma marķējumus šajā rokasgrāmatā un uz akumulatora lādētāja, akumulatora un to izmantojošā produkta, lai novērstu produktu nepareizu lietošanu un iespējamās traumas vai bojājumus.
- Nelietojiet lādētāju ārā, slapjumā vai mitrumā. Lādētājā iekļuvušais ūdens palielina elektrošoka risku.
- Neaiztieciot lādētāju, tostarp lādētāja kontaktdakšu un tā kontaktus, ar slapjām rokām.
- Tādu piederumu lietošana, ko nerekomendē vai nepārdod šī akumulatora lādētāja ražotājs, var izraisīt ugunsgrēka, elektrošoka vai traumas risku.
- Uzlādējiet tikai ar tādu lādētāju, kādu norādījis ražotājs. Lādētājs, kas ir piemērots viena veida akumulatoram, var radīt ugunsgrēka risku, ja to izmanto citam akumulatoram.
- Nevelciet aiz vada vai lādētāja. Nekad nenesiet lādētāju aiz vada. Neraujiet aiz lādētāja vada, lai atvienotu to no kontaktligzdas. Vads vai lādētājs var tikt bojāts, un var rasties elektrošoka risks. Nekavējoties nomainiet bojātos vadus.
- Pārlicinieties, ka vads ir novietots tā, lai uz tā neuzkāptu, lai pār to nepakļuptu un lai tas nenonāktu saskarē ar asām malām vai kustīgām daļām, citādi to var sabojāt vai saspīest. Tas samazinās nejašu kritienu risku, kas varētu izraisīt traumas un radīt vada bojājumu, kas pēc tam var izraisīt elektrošoku.
- Neturiet vadu un lādētāju karstuma avotu tuvumā, lai novērstu kaitējumu apvalkam vai iekšējām daļām.
- Neļaujiet plastmasas daļām nonākt saskarē ar benzīnu, eļļām, naftas produktiem utt. Šie materiāli satur ķīmiskas vielas, kas plastmasu var bojāt, vājināt vai izcināt.
- Nedarbiniet lādētāju, kam ir bojāts vads vai kontaktdakša, kas varētu izraisīt īsslēgumu un elektrošoku. Ja lādētājs ir bojāts, tas jālabo vai jānomaina pilnvarotam servisa tehnikam EGO servisa centrā.
- Nedarbiniet lādētāju, ja tas ir saņēmis asu triecienu, ir ticis nomests vai kā citādi bojāts. Nogādājiet to pilnvarotam servisa tehnikam, lai veiktu elektrisko pārbaudi un noteiktu, vai lādētājs ir labā darba kārtībā.
- Neizjauciet lādētāju. Nogādājiet to pilnvarotam servisa tehnikam, kad ir nepieciešama apkope vai remonts. Nepareiza samontēšana var izraisīt elektrošoka risku vai ugunsgrēku.
- Atvienojiet lādētāju no barošanas avota pirms jebkādu apkopes un tīrīšanas darbu uzsākšanas, lai samazinātu elektrošoka risku.
- Atvienojiet lādētāju no barošanas avota, kad tas netiek lietots. Tas samazinās elektrošoka risku vai iespējamu bojājumu lādētājam un akumulatoram, ja metāla daļas iekristu atverē. Tas palīdzēs arī novērst lādētāja bojājumus jaudas pieauguma laikā.
- Elektrošoka risks. Neskarieties klāt neizolētajai izejas savienotāja daļai vai neizolētiem akumulatora kontaktiem.
- Saglabājiet šīs instrukcijas. Pārskatiet tās bieži un izmantojiet, lai apmācītu citus, kuri var izmantot šo ierīci. Ja šo ierīci aizdodat kādam citam, aizdodiet arī

šīs instrukcijas, lai novērstu iespējamu nepareizu šī produkta lietošanu un traumas risku.

■ SVARĪGAS DROŠĪBAS INSTRUKCIJAS

- **Saglabājiet šīs instrukcijas.** Šajā rokasgrāmatā ir iekļauta svarīgās drošības un ekspluatācijas instrukcijas ātrajam 56 V lādētājam CH5500E.
- **Pirms akumulatora lādētāja lietošanas izlasiet visas instrukcijas un brīdinājuma marķējumus uz akumulatora lādētāja, akumulatora un to izmantojošā produkta.**

▲ BRĪDINĀJUMS: Lietojot elektroierīces, vienmēr jāievēro pamata piesardzības pasākumi, ieskaitot tālāk norādītos.

- Ievainojuma riska samazināšanai ir nepieciešama cieša uzraudzība, lietojot ierīci bērnu tuvumā.
- Lietojiet vienīgi tādu aprīkojumu, ko rekomendē vai pārdo ražotājs.
- Nelietojiet ārpus telpām.
- Attiecībā uz portatīvo ierīci: lai samazinātu elektrošoka risku, nelieciet lādētāju ūdenī vai citā šķidrumā. Nenovietojiet vai neuzglabājiet ierīci tur, kur tā var nokrist vai iekrist vannā vai izlietnē.

▲ UZMANĪBU! Lai samazinātu savainojumu risku, uzlādējiet vienīgi litiņa jonu uzlādējamus akumulatorus. Cita veida akumulatori var eksplodēt, izraisot savainojumus vai bojājumus.

SPECIFIKĀCIJAS

Lādētāja ievade	220-240 V~ 50 Hz, 550W,
Lādētāja izvade	5-8 A 56 V
Ātrās uzlādes laiks	Apmēram 25 minūtes BA1120E akumulatoram Apmēram 30 minūtes BA1400/BA2240E/BA1400T/BA2240T/BA2242T akumulatoram Apmēram 40 minūtes BA2800/BA2800T akumulatoram Apmēram 45 minūtes BA3360 akumulatoram Apmēram 60 minūtes BA4200/BA4200T akumulatoram Apmēram 190 minūtes BAX1300 akumulatoram Apmēram 70 minūtes BA5600T akumulatoram Apmēram 70 minūtes BA6720T akumulatoram
Optimālā uzlādes temperatūra	5°C-40°C
Lādētāja svars	1,9 kg

APRAKSTS

IEPAZĪSTIET SAVU LĀDĒTĀJU (Zīm. A)

1. Montāžas atvere
2. Dzesēšanas pieslēgvietā
3. LED indikatori
4. Elektriskie kontakti
5. Mikstais rokturis
6. Atvere stiprināšanai pie sienas

DARBĪBA

KĀ UZLĀDĒT AKUMULATORU

▲ BRĪDINĀJUMS: Nelietojiet lādētāju ārā, slāpumā vai mitrumā. Lādētājā iekļuvušais ūdens palielina elektrošoka risku.

▲ PIEZĪME: Litiņa jonu akumulatori tiek nosūtīti daļēji uzlādēti. Lietojot pirmo reizi, iepriekš pilnībā uzlādējiet akumulatoru.

1. Pievienojiet lādētāju barošanas avotam (220-240 V, ~ 50 Hz). Četri LED uzlādes indikatori īsu brīdi iespīdēsies zaļā krāsā, norādot, ka lādētājs darbojas pareizi.
2. Novietojiet akumulatora bloku / adaptera izciņņus vienā līmenī ar lādētāja montāžas gropēm; iebīdiet akumulatora bloku / adapteri lādētājā (Zīm. B).

PIEZĪME. Lādējot BAX1300 akumulatora bloku, vispirms savienojiet adapteri ar akumulatoru.

3. Lādētājs saņems informāciju no akumulatora, lai novērtētu tā stāvokli.
4. Kamēr akumulators tiks uzlādēts, viena pēc otras mirgos lādētāja četras zaļās LED diodes no kreisās puses uz labo, lai norādītu uzlādes līmeni; lūdzu, skat. Zīm. C. Akumulatora bloka (BA1120E, BA1400, BA2240E, BA2800, BA3360, BA4200) strāvas indikators mirgos šādā secībā: sarkanais, oranžais un zaļais. Vai arī BAX1300 akumulatora bloka strāvas LCD indikators parādīs uzlādes jaudas līmeni ar cipariem. Akumulatoru bloka pēdējais 5 LED spuldziņu indikatora segments mirgo zaļā krāsā (Modelim BA1400T, BA2240T, BA2242T, BA2800T, BA4200T, BA5600T, BA6720T). Lādētāja ventilators nepārtraukti darbojas, lai dzesētu akumulatora bloku.
5. Kad akumulators būs pilnībā uzlādēts, lādēšanas LED indikatori beigs mirgot un degs nepārtraukti zaļā krāsā. Strāvas indikators uz akumulatora bloka izslēgsies. Pagaidiet, kamēr dzesēšanas ventilators apstājas, izņemiet akumulatora bloku / adapteri no lādētāja un atvienojiet lādētāju no barošanas avota. 6. Akumulators pilnībā uzlādēsies, ja to atstās uz lādētāja, taču tas nepārlādēsies. Ja akumulators (izņemot BAX1300) uz lādētāja paliks vienu mēnesi vai ilgāk, tas veiks pašapkopī un uzlādes jauda kritīsies līdz 30 %. Ja tā noticis, no jauna ievietojiet akumulatoru lādētājā, lai uzlādētu to pilnībā.

LV

Zīm. C daļu aprakstu skat. tālāk:

C-1	LED 1	C-3	LED 3
C-2	LED 2	C-4	LED 4

PIEZĪME:

- Ievērojami samazināts darbības laiks pēc pilnas akumulatora uzlādes norāda uz to, ka baterijas ir gandrīz sasniegušas sava izmantošanas laika beigas un ir jānomaina.
- Lādētājs uzlādes laikā var uzsilt. Tā ir normāla lādētāja darbība. Veiciet uzlādi labi vēdināmā vietā.

LĀDĒTĀJA LED FUNKCIJAS

Modelim BA1120E, BA1400, BA2240E, BA2800, BA3360, BA4200

LED INDIKATORŠ	AKUMULATORŠ	LED INDIKATORS UZ LĀDĒTĀJA				STRĀVAS INDIKATORS UZ AKUMULATORA	AKUMULATORA JAUDA	DARBĪBA
		LED1	LED2	LED3	LED4			
	Bojāts	Mirgo sarkanā krāsā vai ir izslēgts	Izslēgts	Izslēgts	Izslēgts	Izslēgts	—	Akumulators vai lādētājs ir bojāts.
	Auksts/karsts akumulators	Spīd sarkanā krāsā	Izslēgts	Izslēgts	Izslēgts	Izslēgts	—	Uzlāde tiks atsākta, kad akumulatora temperatūra atkal būs diapazonā 3 °C-57 °C.
	Notiek uzlāde	Mirgo zaļā krāsā	Izslēgts	Izslēgts	Izslēgts	Pārmaiņus mirgo sarkanais, oranžais un zaļais indik.	Mazāk nekā 25 %	Notiek uzlāde
		Pārmaiņus spīd zaļā krāsā		Izslēgts	Izslēgts		25-50 %	Notiek uzlāde
		Pārmaiņus spīd zaļā krāsā		Izslēgts			50-75 %	Notiek uzlāde
		Pārmaiņus spīd zaļā krāsā					75-90 %	Notiek uzlāde
	Pilnībā uzlādēts	Pastāvīgi spīd zaļā krāsā				Izslēgts	90-100 %	Uzlāde ir pabeigta. Notiek apkopes uzlāde.
—	Pašapkope	Ātri, ar pārtraukumiem mirgo zaļā krāsā				Izslēgts	Apm. 30 %	Akumulators veic pašapkopi vai atrodas vai miega režīmā. No jauna ievietojiet akumulatoru lādētājā, lai uzlādētu to pilnībā.

LV

Modelim BA1400T, BA2240T, BA2242T, BA2800T, BA4200T, BA5600T, BA6720T

LED INDIKATORS	AKUMULATORS	LED INDIKATORS UZ LĀDĒTĀJA				AKUMULATORU BLOKA 5 KRĀSU LED INDIKATORS	AKUMULATORA JAUDA	DARBĪBA
		LED1	LED2	LED3	LED4			
	Bojāts	Mirgo sarkanā krāsā vai ir izslēgts	Izslēgts	Izslēgts	Izslēgts	Izslēgts	—	Akumulators vai lādētājs ir bojāts.
	Auksts/karsts akumulators	Spīd sarkanā krāsā	Izslēgts	Izslēgts	Izslēgts	Izslēgts	—	Uzlāde tiks atsākta, kad akumulatora temperatūra atkal būs diapazonā 3°C-57°C (Modelim BA1400T, BA2242T, BA2800T, BA4200T, BA5600T, BA6720T)/3°C-50°C (Modelim BA2240T).
	Notiek uzlāde	Mirgo zaļā krāsā	Izslēgts	Izslēgts	Izslēgts	Pēdējais segments mirgo, bet pārējā daļa nepārtraukti deg zaļā krāsā	Mazāk nekā 25 %	Notiek uzlāde
		Pārmaiņus spīd zaļā krāsā	Izslēgts	Izslēgts	25-50 %		Notiek uzlāde	
		Pārmaiņus spīd zaļā krāsā	Izslēgts	50-75 %	Notiek uzlāde			
		Pārmaiņus spīd zaļā krāsā	75-90 %	Notiek uzlāde				
	Pilnībā uzlādēts	Pastāvīgi spīd zaļā krāsā				Izslēgts	90-100 %	Uzlāde ir pabeigta. Notiek apkopes uzlāde.
—	Pašapkope	Ātri, ar pārtraukumiem mirgo zaļā krāsā				Izslēgts	Apm. 30 %	Akumulators veic pašapkopi vai atrodas vai miega režīmā. No jauna ievietojiet akumulatoru lādētājā, lai uzlādētu to pilnībā.

LV
KARSTA VAI AUKSTA AKUMULATORA UZLĀDE

Ja akumulatora temperatūra ir ārpus pieļaujamajām robežām, LED1 spīdēs sarkanā krāsā. Kad akumulators atdzisis līdz apmēram 57 °C (42 °C BAX1300 akumulatora blokam, 50 °C for BA2240T) vai sasils līdz vairāk nekā 3 °C, lādētājs automātiski sāks uzlādi un visas 4 LED diodes sāks mirgot viena pēc otras kā parasti.

BOJĀTS AKUMULATORS VAI LĀDĒTĀJS

Ja lādētājs konstatē problēmu, LED1 sāks mirgot sarkanā krāsā vai visas LED diodes izslēgsies.

IEKASĒT BA1120E, BA1400, BA2240E, BA2242T, BA2800, BA3360, BA4200, BA1400T, BA2240T, BA2800T, BA4200T, BA5600T, BA6720T

1. Ja akumulators tiek uzrādīts kā bojāts, izņemiet un

ievietojiet to lādētājā no jauna. Ja LED arī otrreiz uzrāda "bojātu", mēģiniet uzlādēt citu akumulatoru.

2. Ja cits akumulators uzlādējas normāli, likvidējiet bojāto akumulatoru (skatīt instrukcijas akumulatora rokasgrāmatā).
3. Ja arī ar citu akumulatoru tiek uzrādīts "bojāts", atvienojiet lādētāju un gaidiet, līdz mirgojošā LED1 diode nodzies, pēc tam no jauna pievienojiet kontaktdakšu barošanas avotam. Ja LED1 diode uz lādētāja joprojām rāda "bojāts", tad bojāts var būt lādētājs.

IEKASĒT BAX1300

1. Ja akumulatora bloks tiek uzrādīts kā bojāts, izņemiet un ievietojiet to lādētājā no jauna. Ja LED arī otrreiz

- uzrāda „bojātu”, mēģiniet nomainīt jaunu adapteri vai uzlādēt citu akumulatora bloku.
2. Ja cits adapteris vai akumulatora bloks uzlādējas normāli, likvidējiet bojāto adapteri vai akumulatora bloku (skatīt instrukcijas akumulatora bloka rokasgrāmātā).
 3. Ja arī ar citu akumulatora bloku un adapteri kopā tiek uzrādīts „bojāts”, atvienojiet lādētāju un gaidiet, līdz mirgojošā LED1 diode nodziest, pēc tam no jauna pievienojiet kontaktdakšu barošanas avotam. Ja LED1 diode uz lādētāja joprojām rāda „bojāts”, tad bojāts var būt lādētājs.

CAURUMI STIPRINĀŠANAI UZ SIENAS

Lādētājam ir caurumi piekarināšanai, lai to varētu ērti uzglabāt (Zīm. A-6). Ieskrūvējiet skrūves sienā 76 mm atstatumā. Izmantojiet pietiekami stipras skrūves, kas varētu noturēt lādētāja un akumulatora kopējo svaru (apmēram maksimāli 4,1 kg).

APKOPE

⚠ BRĪDINĀJUMS: Lai izvairītos no nopietnas traumas, vienmēr izņemiet akumulatoru no instrumenta, kad veicat jebkādas tīrīšanas vai apkopes darbus.

⚠ BRĪDINĀJUMS: Veicot apkopi, izmantojiet tikai identiskas EGO rezerves daļas. Jebkuru citu daļu izmantošana var izraisīt apdraudējumu vai radīt produkta bojājumus.

⚠ BRĪDINĀJUMS: Nav ieteicams izmantot saspiesto sauso gaisu lādētāja tīrīšanai. Ja tīrīšana ar saspiesto gaisu ir vienīgā piemērojamā metode, tīrot ierīci, vienmēr jāvalkā aizsargbrilles vai aizsargbrilles ar sānu sargiem. Ja veicamais darbs ir puteļains, izmantojiet arī putekļu masku.

LV

⚠ BRĪDINĀJUMS: Ja elektrības padeves vads ir bojāts, tas jānomaina ražotājam, tā servisa pārstāvim vai līdzīgi kvalificētām personām, lai izvairītos no apdraudējuma.

VISPĀRĒJĀ APKOPE

Izvairieties izmantot šķīdinātājus, tīrot plastmasas daļas. Vairums plastmasu ir uzņēmīgas pret dažāda veida komerciālu šķīdinātāju bojājumiem un, tos izmantojot, var tikt sabojātas. Lai notīrītu netīrumus, putekļus, eļļu, taukus utt., izmantojiet tīras lupatiņas.

⚠ BRĪDINĀJUMS: Nekādā gadījumā neļaujiet bremžu šķidrumam, benzīnam, naftas produktiem, eļļām utt. nonākt saskarē ar plastmasas daļām. Ķīmikālijas var sabojāt, vājināt vai iznīcināt plastmasu, kas var izraisīt nopietnas traumas.

⚠ BRĪDINĀJUMS: Veicot apkopi, izmantojiet tikai identiskas EGO rezerves daļas. Jebkuru citu daļu izmantošana var izraisīt apdraudējumu vai radīt produkta bojājumus. Lai garantētu drošību un uzticamību, visi

remontdarbi jāveic kvalificētam servisa speciālistam EGO servisa centrā.

Vides aizsardzība



Neutilizējiet elektroiekārtas, akumulatora lādētāju un akumulatoru / uzlādējamus akumulatorus kopā ar sadzīves atkritumiem!

Saskaņā ar Eiropas direktīvu 2012/19/ES elektriskās un elektroniskās iekārtas, kas vairs nav izmantojamas, un saskaņā ar Eiropas direktīvu 2006/66/EK bojāti vai izmantoti akumulatori/baterijas jāsavāc atsevišķi.

Ja elektroierīces tiek utilizētas poligonos vai izgāztuvēs, bīstamās vielas var iekļūt gruntsūdeņos un nokļūt pārtikas ķēdē, kaitējot jūsu veselībai un labsajūtai.

PROBLĒMU NOVĒRŠANA

PROBLĒMA	CĒLONIS	RISINĀJUMS
Lādētājs nedarbojas. LED1 mirgo sarkanā krāsā vai visas LED diodes nodziest.	Akumulatora bloks, adapteris vai lādētājs ir bojāts vai starp akumulatora bloku, adapteri un lādētāju ir slikts savienojums.	<ul style="list-style-type: none"> ■ Mēģiniet izņemt akumulatora bloku / adapteri un ievietot tos lādētājā no jauna. ■ Mēģiniet izņemt un savienot adapteri ar akumulatora bloku (BAX1300 akumulatora blokam). ■ Mēģiniet nomainīt adapteri. ■ Mēģiniet uzlādēt citu akumulatoru. ■ Atvienojiet lādētāju un gaidiet, līdz sarkanā LED diode nodziest, pēc tam no jauna pievienojiet kontaktakšus barošanas avotam.
Lādētājs nedarbojas un LED1 spīd sarkanā krāsā.	Akumulators ir pārāk karsts vai pārāk auksts.	Ļaujiet akumulatoram sasniegt vajadzīgo temperatūru. Uzlāde tiks atsākta, kad akumulatora temperatūra atkal būs diapazonā 3 °C-57 °C (42 °C BAX1300 akumulatora blokam, 3°C -50°C for BA2240T).

GARANTĪJA

EGO GARANTĪJAS POLITIKA

Lūdzu, apmeklējiet tīmekļa vietni egopowerplus.com, kur pieejama pilna EGO Garantijas politikas noteikumu un nosacījumu versija.

ΔΙΑΒΑΣΤΕ ΟΛΕΣ ΤΙΣ ΟΔΗΓΙΕΣ!



ΔΙΑΒΑΣΤΕ ΤΟ ΕΓΧΕΙΡΙΔΙΟ ΧΡΗΣΗΣ

⚠ Υπολειπόμενοι κίνδυνοι! Άνθρωποι που φέρουν ηλεκτρονικές συσκευές όπως βηματοδότες πρέπει να συμβουλευόνται τους γιατρούς τους πριν τη χρήση αυτού του προϊόντος. Η λειτουργία ηλεκτρικών εξοπλισμών κοντά σε βηματοδότη μπορεί να προκαλέσει παρεμβολές ή βλάβη στον βηματοδότη.

⚠ ΠΡΟΕΙΔΟΠΟΙΗΣΗ: Για να διασφαλίσετε την ασφάλεια και την αξιοπιστία, όλες οι επισκευές πρέπει να διεξάγονται από εξειδικευμένο τεχνικό του σέρβις.

⚠ ΠΡΟΕΙΔΟΠΟΙΗΣΗ: Αυτό το μηχάνημα μπορεί να χρησιμοποιηθεί από παιδιά ηλικίας άνω των 8 ετών και από άτομα με μειωμένες σωματικές, αισθητήριες ή νοητικές ικανότητες ή έλλειψη εμπειρίας και γνώσης του μηχανήματος, εφόσον επιβλέπονται ή έχουν λάβει οδηγίες σχετικά με τη χρήση του μηχανήματος με ασφαλή τρόπο και έχουν κατανοήσει τους εμπλεκόμενους κινδύνους. Τα παιδιά δεν πρέπει να παίζουν με τη συσκευή. Ο καθαρισμός και η συντήρηση που αφορούν τον χρήστη δεν πρέπει να γίνονται από παιδιά χωρίς επιτήρηση.

ΣΥΜΒΟΛΑ ΑΣΦΑΛΕΙΑΣ

Ο σκοπός των συμβόλων ασφαλείας είναι να σας τραβήξουν την προσοχή για ενδεχόμενους κινδύνους. Προσέξτε και κατανοήστε τα σύμβολα ασφαλείας και τις επεξηγήσεις που τα συνοδεύουν. Οι προειδοποιήσεις συμβόλων από μόνες τους δεν εξαλείφουν κανέναν κίνδυνο. Οι οδηγίες και οι προειδοποιήσεις που παρέχουν δεν υποκαθιστούν τα μέτρα σωστής πρόληψης ατυχημάτων.

GR

⚠ ΠΡΟΕΙΔΟΠΟΙΗΣΗ: Βεβαιωθείτε ότι έχετε διαβάσει και κατανοήσει όλες τις οδηγίες ασφαλείας στο παρόν Εγχειρίδιο χειριστή, συμπεριλαμβανομένων όλων των συμβόλων ασφαλείας όπως «**ΚΙΝΔΥΝΟΣ**», «**ΠΡΟΕΙΔΟΠΟΙΗΣΗ**» και «**ΠΡΟΣΟΧΗ**», προτού χρησιμοποιήσετε αυτό το εργαλείο. Η μη τήρηση όλων των παρακάτω οδηγιών μπορεί να οδηγήσει σε ηλεκτροπληξία, πυρκαγιά ή/και σοβαρό ατομικό τραυματισμό.

ΟΔΗΓΙΕΣ ΑΣΦΑΛΕΙΑΣ

Αυτή η σελίδα απεικονίζει και περιγράφει τα σύμβολα ασφαλείας που υπάρχουν ενδεχομένως σε αυτό το προϊόν. Διαβάξτε, κατανοήστε και ακολουθείτε όλες τις οδηγίες στη μηχανή προτού προσαρτήσετε να διεξάγετε εργασίες συναρμολόγησης και λειτουργίας.

	Ειδοποίηση ασφαλείας	Προφυλάξτε που σχετίζονται με την ασφάλειά σας
	Διαβάστε το εγχειρίδιο χρήσης	Προκειμένου να μειωθεί ο κίνδυνος τραυματισμού, ο χρήστης πρέπει να διαβάσει το εγχειρίδιο χρήσης.
	Χρήση σε εσωτερικό χώρο	Χρησιμοποιείτε τη συσκευή μόνο σε εσωτερικούς χώρους
	Κατασκευή Κλάσης II	Διπλά μονωμένη κατασκευή
	Ασφαλειοσύνδεσμοι	Ασφαλειοσύνδεσμος μινιατούρα με χρονική καθυστέρηση
	CE	Αυτό το προϊόν συμφώνει με τις ισχύουσες οδηγίες της ΕΚ.
	UKCA	Αυτό το προϊόν συμμορφώνεται με την ισχύουσα νομοθεσία του ΗΒ.
	AHHE (WEEE)	Τα άχρηστα ηλεκτρικά προϊόντα δεν πρέπει να απορρίπτονται στα οικιακά απόβλητα. Παραδίδετέ τα σε μια εξουσιοδοτημένη εταιρεία ανακύκλωσης.
V	Volt	Τάση
A	Amperes	Ρεύμα
Hz	Hertz	Συχνότητα (κύκλοι ανά δευτερόλεπτο)
W	Watt	Ισχύς
min	Λεπτά	Χρόνος
	Εναλλασσόμενο ρεύμα	Τύπος ρεύματος
	Συνεχές ρεύμα	Τύπος ή χαρακτηριστικό του ρεύματος

⚠ ΠΡΟΕΙΔΟΠΟΙΗΣΗ: Διαβάστε και κατανοήστε όλες τις οδηγίες. Η μη τήρηση όλων των παρακάτω οδηγιών μπορεί να οδηγήσει σε ηλεκτροπληξία, πυρκαγιά ή/και σοβαρό ατομικό τραυματισμό.

ΑΣΦΑΛΕΙΑ ΣΤΟ ΧΩΡΟ ΕΡΓΑΣΙΑΣ

- Διατηρείτε τον χώρο εργασίας καθαρό και καλά φωτισμένο. Οι ακατάστατοι χώροι ή οι χώροι με κακό φωτισμό ενισχύουν την πιθανότητα πρόκλησης ατυχημάτων.
- Μη χρησιμοποιείτε ηλεκτρικά εργαλεία σε περιβάλλον με εύφλεκτη ατμόσφαιρα, όπου υπάρχουν εύφλεκτα υγρά, αέρια ή σκόνη. Τα ηλεκτρικά εργαλεία προκαλούν σπινθηρισμούς, οι οποίοι είναι πιθανό να αναφλέξουν τη σκόνη ή τις αναθυμιάσεις.

ΗΛΕΚΤΡΙΚΗ ΑΣΦΑΛΕΙΑ

- **Το φως του ηλεκτρικού εργαλείου πρέπει να ταιριάζει με την πρίζα.** Μην τροποποιείτε ποτέ και με κανέναν τρόπο το φως. Μη χρησιμοποιείτε κανέναν είδους βύσματα ανταπάρων με γειωμένα ηλεκτρικά εργαλεία. Τα μη τροποποιημένα φως και οι κατάλληλες πρίζες μειώνουν τον κίνδυνο ηλεκτροπληξίας.
- **Μην εκθέτετε το φορτιστή σε βροχή ή συνθήκες υγρασίας.** Αν εισχωρήσει νερό στο φορτιστή, θα αυξηθεί ο κίνδυνος ηλεκτροπληξίας.
- **Μην κακομεταχειρίζεστε το καλώδιο.** Μη χρησιμοποιείτε ποτέ το καλώδιο για να μεταφέρετε, τραβήξετε ή απομακρύνετε από την πρίζα το φορτιστή. Διατηρείτε το καλώδιο μακριά από θερμότητα, λάδια, αιχμηρές γωνίες ή κινούμενα εξαρτήματα. Τα κατεστραμμένα ή μπερδεμένα καλώδια αυξάνουν τον κίνδυνο ηλεκτροπληξίας.
- **Αποφεύγετε την επαφή του σώματός σας με γειωμένες επιφάνειες, όπως σωλήνες, θερμαντικά σώματα, εστίες και ψυγεία.** Υπάρχει αυξημένος κίνδυνος ηλεκτροπληξίας αν το σώμα σας είναι γειωμένο.
- **Όταν χρησιμοποιείτε κάποιο ηλεκτρικό εργαλείο σε εξωτερικό χώρο, χρησιμοποιείτε επέκταση καλωδίου κατάλληλη για εξωτερικούς χώρους.** Η χρήση καλωδίου που ενδείκνυται για χρήση σε εξωτερικό χώρο μειώνει τον κίνδυνο ηλεκτροπληξίας.
- **Ο φορτιστής EGO μπορεί να φορτίσει τις συστοιχίες μπαταριών λιθίου - ιόντων EGO που παρατίθενται παρακάτω:**

ΦΟΡΤΙΣΤΗΣ	ΣΥΣΤΟΙΧΙΕΣ ΜΠΑΤΑΡΙΩΝ
CH5500E	BA1120E, BA1400, BA2240E, BA2240T, BA2800, BA3360, BA4200, BA1400T, BA2800T, BA4200T, BA5600T, BA6720T

ΣΕΡΒΙΣ

- **Το σέρβις του φορτιστή σας πρέπει να γίνεται από εξειδικευμένο τεχνικό, χρησιμοποιώντας μόνο ίδια ανταλλακτικά.** Έτσι θα εξασφαλιστεί η διατήρηση της ασφάλειας του φορτιστή.
- **Όταν κάνετε συντήρηση ενός φορτιστή, χρησιμοποιείτε μόνο ίδια ανταλλακτικά.** Τηρείτε τις οδηγίες στο τμήμα Συντήρηση του παρόντος εγχειριδίου. Η χρήση μη εξουσιοδοτημένων εξαρτημάτων ή η μη τήρηση των οδηγιών συντήρησης μπορεί να προκαλέσει κίνδυνο ηλεκτροπληξίας ή τραυματισμό.

ΚΑΝΟΝΕΣ ΑΣΦΑΛΕΙΑΣ ΓΙΑ ΤΟ ΦΟΡΤΙΣΤΗ

- ▲ **ΠΡΟΦΥΛΑΞΗ:** Για να μειώσετε τον κίνδυνο ηλεκτροπληξίας ή ζημιάς στο φορτιστή και τη μπαταρία, φορτίζετε μόνο τις επαναφορτιζόμενες μπαταρίες λιθίου - ιόντων που ορίζονται ειδικά στην ετικέτα του φορτιστή σας. Άλλοι τύποι μπαταριών μπορεί να εκραγούν προκαλώντας ατομικό τραυματισμό και ζημιά.
 - Η συσκευή αυτή δεν προορίζεται για χρήση από άτομα (μεταξύ των οποίων και παιδιά) με μειωμένες φυσικές, αισθητηριακές ή διανοητικές ικανότητες, ή έλλειψη εμπειρίας και γνώσης, εκτός εάν υπάρχει επίβλεψη ή τους έχουν δοθεί οδηγίες αναφορικά με τη χρήση της συσκευής από άτομα τα οποία είναι υπεύθυνα για την ασφάλεια τους.
 - **Προτού χρησιμοποιήσετε το φορτιστή μπαταρίας,** διαβάστε όλες τις οδηγίες και τις σημάνσεις προφύλαξης στο παρόν εγχειρίδιο και στο φορτιστή μπαταρίας, στη μπαταρία και στο προϊόν που χρησιμοποιεί τη μπαταρία ώστε να εμποδίσετε εσφαλμένη χρήση των προϊόντων και πιθανό τραυματισμό ή ζημιά.
 - **Μη χρησιμοποιείτε το φορτιστή σε εξωτερικό χώρο ή μην τον εκθέτετε σε υγρές ή νωπές συνθήκες.** Αν εισχωρήσει νερό στο φορτιστή, θα αυξηθεί ο κίνδυνος ηλεκτροπληξίας.
 - **Μη μεταχειρίζεστε το φορτιστή, συμπεριλαμβανομένου του βύσματος φορτιστή και τους ακροδέκτες φορτιστή με βρεγμένα χέρια.**
 - **Η χρήση προσαρτημάτων που δεν συστήνονται ή πλωλούνται από τον κατασκευαστή φορτιστή μπαταρίας μπορεί να δημιουργήσει κίνδυνο πυρκαγιάς, ηλεκτροπληξίας ή τραυματισμού.**
 - **Επαναφορτίζετε το εργαλείο μόνο με το φορτιστή που ορίζεται από τον κατασκευαστή.** Κάποιοι φορτιστές που είναι κατάλληλοι για έναν τύπο μπαταρίας μπορεί να δημιουργήσει κίνδυνο πυρκαγιάς εάν χρησιμοποιηθεί με άλλον τύπο μπαταρίας.
 - **Μην κακομεταχειρίζεστε το καλώδιο ή το φορτιστή.** Ποτέ μη χρησιμοποιήσετε το καλώδιο για να μεταφέρετε το φορτιστή. Μην τραβάτε το καλώδιο φορτιστή για να αποσυνδέσετε το βύσμα από μια υποδοχή. Ζημιά στο καλώδιο ή το φορτιστή μπορεί να προκύψει και να δημιουργήσει κίνδυνο ηλεκτροπληξίας. Αντικαθιστάτε αμέσως φθαρμένα καλώδια.
 - **Εξασφαλίστε ότι το καλώδιο βρίσκεται σε τέτοιο σημείο ώστε δεν θα μπορεί να πατήσει, να σκοντάψει εκεί κάποιος, να έρθει κάποιος σε επαφή με αιχμηρές ακμές ή κινούμενα τμήματα ή να υποβληθεί σε ζημιά ή καταπόνηση.** Έτσι θα μειωθεί ο κίνδυνος τυχόν πτώσεων με συνέπεια τραυματισμό και ζημιά στο καλώδιο που θα μπορούσε να επιφέρει ηλεκτροπληξία.

GR

- Διατηρείτε το καλώδιο και το φορτιστή μακριά από θερμότητα ώστε να εμποδίσετε ζημιά στο περίβλημα ή σε εσωτερικά τμήματα.
- Μην επιτρέπετε να έρχεται βενζίνη, λάδια, προϊόντα με βάση τη βενζίνη κ.λπ. να έρχονται σε επαφή με πλαστικά τμήματα. Αυτά τα υλικά περιέχουν χημικές ουσίες που μπορεί να προκαλέσουν ζημιά, να αποδυναμώσουν ή να καταστρέψουν το πλαστικό.
- Μη χρησιμοποιείτε το φορτιστή με φθαρμένο καλώδιο ή βύσμα, τα οποία θα μπορούσαν να βραχυκυκλωθούν και να προκαλέσουν ηλεκτροπληξία. Εάν υπάρχουν ζημιές ο φορτιστής πρέπει να επισκευαστεί ή αντικατασταθεί από έναν εξουσιοδοτημένο τεχνικό του σέρβις σε ένα κέντρο σέρβις της EGO.
- Μη χρησιμοποιείτε το φορτιστή εάν έχει χτυπηθεί δυνατά, εάν έχει πέσει κάτω ή έχει πάθει άλλους είδους ζημιά. Παραδώστε το σε έναν εξουσιοδοτημένο τεχνικό του σέρβις για ηλεκτρικό έλεγχο, για να διαπιστώσετε εάν ο φορτιστής είναι σε καλή κατάσταση λειτουργίας.
- Μην αποσυναρμολογείτε το φορτιστή. Πηγαίνετε το φορτιστή σε έναν εξουσιοδοτημένο τεχνικό του σέρβις εφόσον απαιτηθεί συντήρηση ή επισκευή. Η εσφαλμένη επανασυναρμολόγηση μπορεί να δημιουργήσει κίνδυνο ηλεκτροπληξίας ή πυρκαγιάς.
- Αποσυνδέστε το φορτιστή από την πρίζα ηλεκτρικού προτού προσπαθήσετε να διεξάγετε εργασίες συντήρησης ή καθαρισμού ώστε να μειώσετε κίνδυνο ηλεκτροπληξίας.
- Αποσυνδέστε το φορτιστή από την παροχή ρεύματος όταν δεν τον χρησιμοποιείτε. Έτσι θα μειωθεί ο κίνδυνος ηλεκτροπληξίας ή ζημιάς στο φορτιστή εάν μεταλλικά είδη πέσουν μέσα στο άνοιγμα. Επίσης θα εμποδιστεί ζημιά στο φορτιστή κατά τη διάρκεια υπερτάσεων ισχύος.
- Κίνδυνος ηλεκτροπληξίας. Μην αγγίζετε το μη μονωμένο τμήμα του συνδέσμου εξόδου ή το μη μονωμένο τερματικό μπαταρίας.
- Φυλάξτε αυτές τις οδηγίες. Ανατρέχετε σε αυτές συχνά και χρησιμοποιείτε τις για να εκπαιδευτείτε άλλους που μπορεί να χρησιμοποιήσουν το εργαλείο. Εάν δανείσετε αυτό το εργαλείο σε κάποιον άλλο, δανείστε και αυτές τις οδηγίες, ώστε να εμποδίσετε εσφαλμένη χρήση του προϊόντος και πιθανό τραυματισμό.

ΣΗΜΑΝΤΙΚΕΣ ΟΔΗΓΙΕΣ ΑΣΦΑΛΕΙΑΣ

- Φυλάξτε αυτές τις οδηγίες. Το παρόν εγχειρίδιο περιέχει σημαντικές οδηγίες ασφάλειας και λειτουργίας για τον ταχυφορτιστή 56V CH5500E
- Προτού χρησιμοποιήσετε το φορτιστή μπαταρίας διαβάστε όλες τις οδηγίες και τις σημάνσεις πρόληψης στο φορτιστή μπαταρίας, στη μπαταρία και στο προϊόν που χρησιμοποιεί μπαταρία.

⚠ ΠΡΟΕΙΔΟΠΟΙΗΣΗ: Κατά τη χρήση ηλεκτρικών συσκευών, πρέπει να ακολουθούνται πάντα τα βασικά προληπτικά μέτρα συμπεριλαμβανομένων των ακόλουθων.

- Για να μειωθεί ο κίνδυνος τραυματισμού, είναι απαραίτητη η στενή επιτήρηση όταν χρησιμοποιείτε μια συσκευή κοντά σε παιδιά.
- Χρησιμοποιείτε μόνο προσαρτήματα που συστήνονται ή πωλούνται από τον κατασκευαστή.
- Μη χρησιμοποιείτε σε εξωτερικό χώρο.
- Για μια φορητή συσκευή - Για να μειώσετε τον κίνδυνο ηλεκτροπληξίας μην τοποθετείτε το φορτιστή σε νερό ή άλλα υγρά. Μην τοποθετείτε ή αποθηκεύετε τη συσκευή σε σημεία όπου μπορεί να πέσει ή να τραβηχτεί σε μπανιέρα ή νιπτήρα.

⚠ ΠΡΟΦΥΛΑΞΗ: Για μείωση του κινδύνου τραυματισμού, φορτίστε μόνο επαναφορτιζόμενες μπαταρίες λιθίου - ιόντων. Άλλοι τύποι μπαταριών μπορεί να εκραγούν προκαλώντας απομικό τραυματισμό και ζημιά.

ΠΡΟΔΙΑΓΡΑΦΕΣ

Είσοδος φορτιστή	220-240 V~ 50 Hz, 550W,
Έξοδος φορτιστή	5-8 A 56 V 
Χρόνος φόρτισης	Περίπου 25 λεπτά για τη συστοιχία μπαταριών BA1120E Περίπου 30 λεπτά για τη συστοιχία μπαταριών BA1400/BA2240E/BA1400T/BA2240T/BA2242T Περίπου 40 λεπτά για τη συστοιχία μπαταριών BA2800/BA2800T Περίπου 45 λεπτά για τη συστοιχία μπαταριών BA3360 Περίπου 60 λεπτά για τη συστοιχία μπαταριών BA4200/BA4200T Περίπου 190 λεπτά για τη συστοιχία μπαταριών BAX1300 Περίπου 70 λεπτά για τη συστοιχία μπαταριών BA5600T Περίπου 90 λεπτά για τη συστοιχία μπαταριών BA6720T
Βέλτιστη θερμοκρασία φόρτισης	5°C-40°C
Βάρος φορτιστή	1,9 kg

ΠΕΡΙΓΡΑΦΗ

ΓΝΩΡΙΣΤΕ ΤΟ ΦΟΡΤΙΣΤΗ ΣΑΣ (Εικ. Α)

1. Υποδοχή τοποθέτησης
2. Θύρα αέρα ψύξης
3. Ενδείξεις LED
4. Ηλεκτρικές επαφές
5. Μαλακή λαβή
6. Οπή επίτοιχης εγκατάστασης

ΛΕΙΤΟΥΡΓΙΑ

ΤΡΟΠΟΣ ΦΟΡΤΙΣΗΣ ΤΗΣ ΣΥΣΤΟΙΧΙΑΣ ΜΠΑΤΑΡΙΩΝ

⚠ ΠΡΟΕΙΔΟΠΟΙΗΣΗ: Μη χρησιμοποιείτε το φορτιστή σε εξωτερικό χώρο ή μην τον εκθέτετε σε υγρές ή νωπές συνθήκες. Αν εισχωρήσει νερό στο φορτιστή, θα αυξηθεί ο κίνδυνος ηλεκτροπληξίας.

⚠ ΣΗΜΕΙΩΣΗ: Οι συστοιχίες μπαταριών ιόντων - λιθίου αποστέλλονται μερικώς φορτισμένες. Πριν τον χρησιμοποιήσετε για πρώτη φορά, φορτίστε τη συστοιχία μπαταριών πλήρως.

1. Συνδέστε το φορτιστή στην τροφοδοσία ισχύος (220-240V~, 50Hz). Τα τέσσερα LED ένδειξης φόρτισης θα ανάψουν σύντομα πράσινα, υποδηλώνοντας ότι ο φορτιστής λειτουργεί σωστά.
2. Ευθυγραμμίστε τις σηκωμένες νευρώσεις της συστοιχίας μπαταριών/του αντάπτορα με τις υποδοχές τοποθέτησης στο φορτιστή. Σύρετε τη συστοιχία μπαταριών/τον αντάπτορα κάτω, επάνω στο φορτιστή όπως φαίνεται στην (Εικ. Β).

ΣΗΜΕΙΩΣΗ: Εάν φορτίζετε τη συστοιχία μπαταριών BAX1300, συνδέστε τον αντάπτορα πρώτα στη μπαταρία.

3. Ο φορτιστής θα επικοινωνήσει με τη συστοιχία μπαταριών για να αξιολογήσει την κατάστασή της.
4. Όταν η συστοιχία μπαταριών φορτίζει, το πράσινο LED στο φορτιστή θα αναβοσβήνει. Η ένδειξη μπαταρίας (BA1120E, BA1400, BA2240E, BA2800, BA3360, BA4200) στη συστοιχία μπαταριών θα αναβοσβήνει διαδοχικά: κόκκινο, πορτοκαλί και πράσινο ή η ένδειξη LCD ισχύος στη συστοιχία μπαταριών BAX1300 θα προβάλλει την αριθμητική απόδοση φόρτισης. Το τελευταίο τμήμα της ένδειξης με 5 LED πάνω στην μπαταρία θα αναβοσβήνει με πράσινο χρώμα (Για τα BA1400T, BA2240T, BA2242T, BA2800T, BA4200T, BA5600T, BA6720T). Ο ανεμιστήρας στο φορτιστή λειτουργεί συνεχώς για την ψύξη της συστοιχίας μπαταριών.
5. Όταν η συστοιχία μπαταριών φορτιστεί πλήρως, το πράσινο LED θα σταματήσει να αναβοσβήνει και θα ανάβει πράσινο συνεχώς. Η ένδειξη ισχύος στη συστοιχία μπαταριών θα σβήσει. Περιμένετε έως ότου ο ανεμιστήρας ψύξης σταματήσει, απομακρύνετε

τη συστοιχία μπαταριών από το φορτιστή και αποσυνδέστε το φορτιστή από την τροφοδοσία ισχύος.

6. Η συστοιχία μπαταριών θα φορτιστεί πλήρως εάν αφαιρεθεί στο φορτιστή, αλλά δεν θα υπερφορτιστεί. Εάν η συστοιχία μπαταριών (εκτός του BAX1300) παραμείνει στο φορτιστή για ένα μήνα ή περισσότερο, θα διεξάγει αυτοσυντήρηση και η απόδοση φόρτισης θα πέσει κάτω του 30%. Εάν συμβεί αυτό, επανεγκαταστήστε τη συστοιχία μπαταριών στο φορτιστή για να την επαναφορτίσετε πλήρως.

Εικ. C Για την περιγραφή των εξαρτημάτων δείτε παρακάτω:

C-1	LED 1	C-3	LED 3
C-2	LED 2	C-4	LED 4

Ειδοποίηση:

- Ένας σημαντικά μειωμένος χρόνος λειτουργίας μετά από πλήρη φόρτιση της συστοιχίας μπαταριών υποδηλώνει ότι οι μπαταρίες βρίσκονται κοντά στο τέλος της διάρκειας ζωής τους και πρέπει να γίνει αντικατάσταση.
- Ο φορτιστής μπορεί να ζεσταθεί κατά τη διάρκεια της φόρτισης. Πρόκειται για φυσιολογική λειτουργία του φορτιστή. Να διεξάγετε φόρτιση σε καλά αεριζόμενο χώρο.

ΛΕΙΤΟΥΡΓΙΕΣ LED ΤΟΥ ΦΟΡΤΙΣΤΗ

Για τα BA1120E, BA1400, BA2240E, BA2800, BA3360, BA4200

Ένδειξη LED	Συστοίχια μπαταριών	LED ΣΤΟΝ ΦΟΡΤΙΣΤΗ				Ένδειξη ισχύος στη συστοίχια μπαταριών	ΙΣΧΥΣ ΣΥΣΤΟΙΧΙΑΣ ΜΠΑΤΑΡΙΩΝ	ΕΝΕΡΓΕΙΑ
		LED1	LED2	LED3	LED4			
	Φόρτιση	Αναβοσβήνει κόκκινο ή ανενεργό	Ανενεργό	Ανενεργό	Ανενεργό	Ανενεργό	—	Η συστοίχια μπαταριών ή ο φορτιστής είναι ελαττωματικά.
	Ελαττωματική	Ανάβει κόκκινο	Ανενεργό	Ανενεργό	Ανενεργό	Ανενεργό	—	Η φόρτιση θα ξεκινήσει όταν η συστοίχια μπαταριών επιστρέψει στους 3°C–57°C
	Κρύα/Ζεστή μπαταρία	Αναβοσβήνει πράσινο	Ανενεργό	Ανενεργό	Ανενεργό	Αναβοσβήνει κόκκινο, πορτοκαλί και πράσινο εκ περιτροπής	Λιγότερο από 25%	Φόρτιση
		Ανάβει πράσινο εκ περιτροπής	Ανενεργό	Ανενεργό	Ανενεργό		25% έως 50%	Φόρτιση
		Ανάβει πράσινο εκ περιτροπής	Ανενεργό	Ανενεργό	Ανενεργό		50% έως 75%	Φόρτιση
		Ανάβει πράσινο εκ περιτροπής	Ανενεργό	Ανενεργό	Ανενεργό		75% έως 90%	Φόρτιση
	Πλήρως φορτισμένη	Ανάβει πράσινο συνεχώς				Ανενεργό	90% έως 100%	Ο φόρτιση ολοκληρώθηκε. Φόρτιση συντήρησης.
—	Αυτοσυντήρηση	Αναβοσβήνει γρήγορα πράσινο κατά διαστήματα				Ανενεργό	Περ. 30%	Η συστοίχια μπαταριών διεξάγει αυτοσυντήρηση ή βρίσκεται σε λειτουργία ύπνου. Επανεγκαταστήστε τη συστοίχια μπαταριών στο φορτιστή για να την επαναφορτίσετε πλήρως.

GR

Για τα BA1400T, BA2240T, BA2242T, BA2800T, BA4200T, BA5600T, BA6720T

Ένδειξη LED	Συστοιχία μπαταριών	LED ΣΤΟΝ ΦΟΡΤΙΣΤΗ				ΕΝΔΕΙΞΗ ΜΕ 5 LED ΣΤΗ ΣΥΣΤΟΙΧΙΑ ΜΠΑΤΑΡΙΑΣ	ΙΣΧΥΣ ΣΥΣΤΟΙΧΙΑΣ ΜΠΑΤΑΡΙΩΝ	ΕΝΕΡΓΕΙΑ
		LED1	LED2	LED3	LED4			
	Φόρτιση	Αναβοσβήνει κόκκινο ή ανενεργό	Ανενεργό	Ανενεργό	Ανενεργό	Ανενεργό	—	Η συστοιχία μπαταριών ή ο φορτιστής είναι ελαττωματικά.
	Ελαττωματική	Ανάβει κόκκινο	Ανενεργό	Ανενεργό	Ανενεργό	Ανενεργό	—	Η φόρτιση θα ξεκινήσει όταν η συστοιχία μπαταριών επιστρέψει στους 3°C–57°C (Για τα BA1400T, BA2242T, BA2800T, BA4200T, BA5600T, BA6720T)/3°C–50°C (Για τα BA2240T).
	Κρύα/Ζεστή μπαταρία	Αναβοσβήνει πράσινο	Ανενεργό	Ανενεργό	Ανενεργό	Το τελευταίο τμήμα αναβοσβήνει με πράσινο χρώμα, τα υπόλοιπα είναι σταθερά αναμμένα σε πράσινο χρώμα.	Λιγότερο από 25%	Φόρτιση
		Ανάβει πράσινο εκ περιτροπής	Ανενεργό	Ανενεργό	Ανενεργό		25% έως 50%	Φόρτιση
		Ανάβει πράσινο εκ περιτροπής	Ανενεργό	Ανενεργό	Ανενεργό		50% έως 75%	Φόρτιση
		Ανάβει πράσινο εκ περιτροπής	Ανενεργό	Ανενεργό	Ανενεργό		75% έως 90%	Φόρτιση
	Πλήρως φορτισμένη	Ανάβει πράσινο συνεχώς				Ανενεργό	90% έως 100%	Ο φόρτιση ολοκληρώθηκε. Φόρτιση συντήρησης.
—	Αυτοσυντήρηση	Αναβοσβήνει γρήγορα πράσινο κατά διαστήματα				Ανενεργό	Περ. 30%	Η συστοιχία μπαταριών διεξάγει αυτοσυντήρηση ή βρίσκεται σε λειτουργία ύπνου. Επανακαταστήστε τη συστοιχία μπαταριών στο φορτιστή για να την επαναφορτίσετε πλήρως.

GR

ΦΟΡΤΙΣΗ ΜΙΑΣ ΖΕΣΤΗΣ Ή ΚΡΥΑΣ ΣΥΣΤΟΙΧΙΑΣ ΜΠΑΤΑΡΙΩΝ

Εάν η συστοιχία μπαταριών βρίσκεται εκτός του φυσιολογικού εύρους, το LED1 θα ανάψει κόκκινο. Όταν η συστοιχία μπαταριών κρυώσει περίπου στους 57 °C (42 °C για το BAX1300, 50°C for BA2240) ή ζεσταθεί και υπερβεί τους 3°C, ο φορτιστής θα αρχίσει αυτόματα τη φόρτιση και τα 4 LED θα ανάβουν με φυσιολογική αλληλουχία.

ΕΛΑΤΤΩΜΑΤΙΚΗ ΣΥΣΤΟΙΧΙΑ ΜΠΑΤΑΡΙΩΝ Ή ΦΟΡΤΙΣΤΗΣ

Εάν ο φορτιστής ανιχνεύσει πρόβλημα, το κόκκινο LED θα αρχίσει να αναβοσβήνει και το πράσινο LED θα σβήσει.

ΓΙΑ ΤΗ ΦΟΡΤΩΣΗ ΤΟΥ BA1120E, BA1400, BA2240E, BA2242T, BA2800, BA3360, BA4200, BA1400T, BA2240T, BA2800T, BA4200T, BA5600T, BA6720T

1. Εάν η ένδειξη δείχνει ελάττωμα, απομακρύνετε και επανεισαγάγετε τη συστοιχία μπαταριών στο φορτιστή. Εάν τα LED συνεχίζουν να έχουν την ένδειξη «ελάττωμα» για δεύτερη φορά, δοκιμάστε να φορτίσετε μια διαφορετική συστοιχία μπαταριών.
2. Εάν μια δεύτερη συστοιχία μπαταριών φορτίζει κανονικά, απορρίψτε την ελαττωματική συστοιχία μπαταριών (ανατρέξτε στις οδηγίες στο εγχειρίδιο συστοιχίας μπαταριών).
3. Εάν μια δεύτερη συστοιχία μπαταριών επίσης αναφέρει «ελάττωμα», αποσυνδέστε το φορτιστή και περιμένετε έως ότου το κόκκινο LED σβήσει, κατόπιν επανασυνδέστε το βύσμα στην τροφοδοσία ισχύος. Εάν το κόκκινο LED στο φορτιστή συνεχίζει να προβάλλει ελάττωμα, ο φορτιστής μπορεί να είναι ελαττωματικός.

ΓΙΑ ΤΗ ΦΟΡΤΩΣΗ ΤΟΥ ΒΑΧ1300

1. Εάν η ένδειξη δείχνει ελάττωμα, απομακρύνετε και επανασυνδέστε τη συστοιχία μπαταριών και το φορτιστή με τον ανάπτορα. Εάν τα LED συνεχίζουν να έχουν την ένδειξη «ελάττωμα» για δεύτερη φορά, δοκιμάστε να επαναποθετήσετε έναν νέο ανάπτορα ή να φορτίσετε μια διαφορετική συστοιχία μπαταριών.
2. Εάν ένας διαφορετικός ανάπτορας ή συστοιχία μπαταριών φορτίζει κανονικά, απορρίψτε τον ελαττωματικό ανάπτορα ή τη συστοιχία μπαταριών (ανατρέξτε στις οδηγίες στο εγχειρίδιο συστοιχίας μπαταριών).
3. Εάν η επαναποθετήση της συστοιχίας μπαταριών και του ανάπτορα μαζί επίσης αναφέρει «ελάττωμα», αποσυνδέστε το φορτιστή και περιμένετε έως ότου το LED1 που αναβοσβήνει σβήσει, κατόπιν επανασυνδέστε το βύσμα στην τροφοδοσία ισχύος. Εάν το LED1 στο φορτιστή συνεχίζει να προβάλλει ελάττωμα, ο φορτιστής μπορεί να είναι ελαττωματικός.

ΟΠΕΣ ΕΠΙΤΟΙΧΗΣ ΕΓΚΑΤΑΣΤΑΣΗΣ

GR

Ο φορτιστής διαθέτει οπές ανάρτησης για μια βολική αποθήκευση (Εικ. Α-6). Τοποθετήστε τις βίδες στον τοίχο με απόσταση 76 χιλ. μεταξύ τους. Χρησιμοποιήστε βίδες επαρκώς δυνατές για να συγκρατούν το συνδυαζόμενο βάρος του φορτιστή και της συστοιχίας μπαταριών (περίπου το μέγιστο 4,1 κιλά).

ΣΥΝΤΗΡΗΣΗ

⚠️ ΠΡΟΕΙΔΟΠΟΙΗΣΗ: Για την αποφυγή σοβαρού ατομικού τραυματισμού, αφαιρείτε πάντοτε τη συστοιχία μπαταριών από το εργαλείο πριν από τον καθαρισμό του ή πριν από οποιαδήποτε συντήρηση.

⚠️ ΠΡΟΕΙΔΟΠΟΙΗΣΗ: Όταν κάνετε συντήρηση του εργαλείου, χρησιμοποιείτε μόνο ίδια ανταλλακτικά της EGO. Η χρήση οποιωνδήποτε άλλων εξαρτημάτων μπορεί να προκαλέσει κίνδυνο ή υλικές ζημιές.

⚠️ ΠΡΟΕΙΔΟΠΟΙΗΣΗ: Δεν συστήνεται να χρησιμοποιείτε πεπιεσμένο στεγνό αέρα ως μέθοδο καθαρισμού του φορτιστή. Εάν ο καθαρισμός με πεπιεσμένο αέρα είναι η μόνη μέθοδος, φοράτε πάντα γυαλιά προστασίας ή γυαλιά με πλευρική προστασία κατά τον καθαρισμό του εργαλείου. Κατά τη χρήση υπό συνθήκες σκόνης, φοράτε μάσκα.

⚠️ ΠΡΟΕΙΔΟΠΟΙΗΣΗ: Αν το καλώδιο τροφοδοσίας καταστραφεί, πρέπει να αντικατασταθεί από τον κατασκευαστή, το σέρβις του αντιπροσώπου του ή ανάλογα εξειδικευμένα άτομα, ώστε να αποφευχθεί κάθε κίνδυνος.

ΓΕΝΙΚΗ ΣΥΝΤΗΡΗΣΗ

Αποφύγετε τη χρήση διαλυτών κατά τον καθαρισμό των πλαστικών εξαρτημάτων. Τα περισσότερα πλαστικά είναι ευπαθή στη χρήση διαφόρων τύπων διαλυτών του εμπορίου και καταστρέφονται από τη χρήση τους. Χρησιμοποιείτε καθαρά πανιά για την απομάκρυνση βρωμιάς, σκόνης, λαδιού, γράσου κλπ.

⚠️ ΠΡΟΕΙΔΟΠΟΙΗΣΗ: Μην αφήσετε σε καμία στιγμή να έρθουν σε επαφή τα πλαστικά εξαρτήματα με υγρά φρένων, βενζίνη, πετρελαϊκά προϊόντα, δεισδυτικά λάδια κλπ. Τα χημικά μπορούν να φθέρουν, να λεπτύνουν ή να καταστρέψουν τα πλαστικά εξαρτήματα με κίνδυνο σοβαρού τραυματισμού.

⚠️ ΠΡΟΕΙΔΟΠΟΙΗΣΗ: Όταν κάνετε συντήρηση του εργαλείου, χρησιμοποιείτε μόνο ίδια ανταλλακτικά της EGO. Η χρήση οποιωνδήποτε άλλων εξαρτημάτων μπορεί να προκαλέσει κίνδυνο ή υλικές ζημιές. Για να διασφαλίσετε την ασφάλεια και την αξιοπιστία, όλες οι επισκευές πρέπει να διεξάγονται από εξειδικευμένο τεχνικό του σέρβις σε κέντρο σέρβις της EGO.

Προστασία του περιβάλλοντος



Μην απορρίπτετε τους ηλεκτρικούς εξοπλισμούς, το φορτιστή μπαταρίας και τις μπαταρίες/επαναφορτιζόμενες μπαταρίες στα οικιακά απορρίμματα!

Σύμφωνα με τον Ευρωπαϊκό νόμο 2012/19/ΕΕ, οι ηλεκτρικοί και οι ηλεκτρονικοί εξοπλισμοί που δεν χρησιμοποιούνται πλέον και σύμφωνα με τον Ευρωπαϊκό νόμο 2006/66/ΕΚ, οι ελαττωματικές ή χρησιμοποιημένες συστοιχίες μπαταριών/μπαταρίες πρέπει να συλλέγονται ξεχωριστά.

Εάν οι ηλεκτρικές συσκευές απορριφθούν στο ύπαιθρο ή σε χωματερές, τότε είναι πιθανό να διαρρεύσουν επικίνδυνες ουσίες στα υπόγεια ύδατα, με αποτέλεσμα να περάσουν στην τροφική αλυσίδα, προκαλώντας ζημιές στην υγεία και την φυσική σας κατάσταση.

ΑΝΤΙΜΕΤΩΠΙΣΗ ΠΡΟΒΛΗΜΑΤΩΝ

ΠΡΟΒΛΗΜΑ	ΑΙΤΙΑ	ΕΠΙΛΥΣΗ
Ο φορτιστής δεν λειτουργεί. Το LED1 αναβοσβήνει κόκκινο ή όλα τα LED σβήνουν.	Η συστοιχία μπαταριών, ο αντάπτορας ή ο φορτιστής είναι ελαττωματικά ή υπάρχει κακή σύνδεση μεταξύ της συστοιχίας μπαταριών, του αντάπτορα και του φορτιστή.	<ul style="list-style-type: none"> ■ Προσπαθήστε να απομακρύνετε και επανεισαγάγετε τη συστοιχία μπαταριών/τον αντάπτορα στο φορτιστή. ■ Προσπαθήστε να απομακρύνετε και συνδέσετε τον αντάπτορα στη συστοιχία μπαταριών (Για το BAX1300). ■ Προσπαθήστε να επανατοποθετήσετε τον αντάπτορα. ■ Δοκιμάστε να φορτίσετε μια διαφορετική συστοιχία μπαταριών. ■ Αποσυνδέστε το φορτιστή και περιμένετε έως ότου το κόκκινο LED σβήσει, κατόπιν επανασυνδέστε το βύσμα στην τροφοδοσία ισχύος.
Ο φορτιστής δεν λειτουργεί και το LED1 ανάβει κόκκινο.	Η συστοιχία μπαταριών είναι πολύ καυτή ή πολύ κρύα.	<ul style="list-style-type: none"> ■ Αφήστε τη συστοιχία μπαταριών να φτάσει στη φυσιολογική θερμοκρασία. Η φόρτιση θα ξεκινήσει όταν η συστοιχία μπαταριών επιστρέψει στους 3°C–57 °C (42 °C για το BAX1300, 3°C -50°C for BA2240T).

ΕΓΓΥΗΣΗ

ΠΟΛΙΤΙΚΗ ΕΓΓΥΗΣΗΣ EGO

Επισκεφθείτε την ιστοσελίδα egopowerplus.com για όλους τους όρους και τις προϋποθέσεις της πολιτικής εγγύησης EGO.

TÜM TALIMATLARI OKUYUN!



KULLANIM KILAVUZUNU OKUYUN

⚠ Artık risk! Kalp pili gibi elektronik cihaz kullanan kişiler bu ürünü kullanmadan önce hekimlerine danışmalıdır. Elektrikli cihazların, kalp pili yakınında çalıştırılması kalp pilinde parazite veya arızaya neden olabilir.

⚠ UYARI: Güvenliği ve güvenilirliği sağlamak için, tüm onarım işlemleri yetkili bir servis teknisyeni tarafından gerçekleştirilmelidir.

⚠ UYARI: Bu cihaz, gözetim altında olmadıkları veya güvenliklerinden sorumlu bir kişi tarafından cihazın kullanımı ile ilgili talimat almadıkları sürece, fiziksel duyu kaybı, zihinsel yetenekleri zayıf veya tecrübe ve bilgi yetersizliği olan kişiler tarafından kullanılmak üzere tasarlanmamış olup 8 yaş ve üzeri kişiler tarafından kullanılabilir. Çocuklar cihazla oynamamalıdır. Temizlik ve bakım işlemleri gözetim altında olmayan çocuklar tarafından yapılmamalıdır.

GÜVENLİK SEMBOLLERİ

Güvenlik sembollerinin amacı olası tehlikelere dikkatinizi çekmektir. Güvenlik sembolleri ve yanlarındaki açıklamalar özel dikkat ve anlayış göstermenizi gerektirir. Uyarı sembolleri kendi başlarına herhangi bir tehlikeyi gidermez. Sundukları talimat ve uyarılar uygun kaza önleme önlemlerinin yerine geçmez.

⚠ UYARI: Bu aleti kullanmadan önce, „TEHLİKE“, „UYARI“ ve „DİKKAT“ gibi tüm güvenlik uyarı ve sembollerini içeren bu Kullanım Kılavuzu içerisindeki tüm güvenlik talimatlarını okuyup anladığınızdan emin olun. Aşağıdaki talimatların tamamına uyulmaması elektrik çarpması, yangın ve/veya ciddi kişisel yaralanma ile sonuçlanabilir.

TR

GÜVENLİK TALIMATLARI

Bu sayfada, bu ürün üzerinde görülebilecek güvenlik sembolleri gösterilmekte ve açıklanmaktadır. Makineyi monte etmeye ve kullanmaya başlamadan önce, makineye ilişkin tüm talimatları okuyup anlayın ve bu talimatlara uyun.

	Güvenlik Uyarısı	Güvenliğinizle ilgili önlemler
	Kullanım Kılavuzunu Okuyun	Yaralanma riskini azaltmak için, kullanma kılavuzu mutlaka okunmalıdır.

	Kapalı mekanda kullanım	Bu cihazı sadece kapalı mekanda kullanın
	Sınıf II Yapı	Çift yalıtımlı yapı
	T6,3A Sigorta bağlantıları	Geçikmeli minyatür sigorta bağlantısı
	CE	Bu ürün geçerli AB direktiflerine uygundur.
	UKCA	Bu ürün, yürürlükteki Birleşik Krallık yasalarına uygundur.
	WEEE	Atık elektrikli ürünler, evsel atıklar ile birlikte imha edilmemelidir. Yetkili bir geri dönüşüm merkezine götürün.
V	Volt	Voltaj
A	Amper	Akım
Hz	Hertz	Frekans (saniyedeki dönüş sayısı)
W	Watt	Güç
min	Dakika	Zaman
	Alternatif Akım	Akım türü
	Doğru Akım	Akım türü ve özelliği

⚠ UYARI: Tüm talimatları anlayarak okuyun. Aşağıdaki talimatların tamamına uyulmaması elektrik çarpması, yangın ve/veya ciddi kişisel yaralanma ile sonuçlanabilir.

ÇALIŞMA ALANI GÜVENLİĞİ

- Çalışma alanını temiz tutun ve yeterli aydınlatma sağlayın. Karışık veya karanlık alanlar kazalara yol açar.
- Elektrikli aletleri yanıcı sıvı, gaz veya toz vb. içeren patlayıcı ortamlarda çalıştırmayın. Elektrikli aletten çıkan kıvılcıklar toz veya gazları tutuşturabilir.

ELEKTRİK GÜVENLİĞİ

- Elektrikli aletin fişi prize uygun olmalıdır. Fiş üzerinde asla değişiklik yapmayın. Topraklanmış elektrikli aletlerle birlikte adaptör fişlerini kullanmayın. Üzerinde değişiklik yapılmamış fişler ve uygun prizler elektrik çarpmaya tehlikesini azaltacaktır.
- Şarj cihazını yağmur veya ıslak ortamlara maruz bırakmayın. Şarj cihazının içine giren su, elektrik çarpmaya riskini artırır.
- Kabloyu yanlış kullanmayın. Şarj cihazını asla kablodan tutarak taşımayın, kablodan çekmeyin veya kablodan tutarak prizden çıkarmayın. Kabloyu

ısı, yağ, keskin kenarlı veya hareketli parçalardan uzak tutun. Hasarlı veya birbirine dolaşmış kablolar elektrik çarpması riskini artırır.

- **Boru, radyatör, fırın ocak ve buzdolabı gibi topraklanmış yüzeylerle temastan kaçının.** Vücudunuz toprakla temas ederse elektrik çarpması riski artar.
- **Bir elektrikli aleti açık havada kullanırken, uygun bir dış mekan uzatma kablosu kullanın.** Dış mekan için uygun bir kablolu kullanılması elektrik çarpması riskini azaltır.
- EGO şarj cihazı ile aşağıda listelenen EGO lityum-iyon pil paketleri şarj edilebilir:

ŞARJ CİHAZI	PİL PAKETLERİ
CH5500E	BA1120E, BA1400, BA2240E, BA2240T, BA2242T, BA2800, BA3360, BA4200, BA1400T, BA2800T, BA4200T, BA5600T, BA6720T

SERVİS

- **Şarj cihazınızın sadece orijinal yedek parça kullanan yetkili bir servis elemanı tarafından onarılmasını sağlayın.** Böylece şarj cihazının güvenliği korunmuş olacaktır.
- **Şarj cihazının servisi sırasında sadece birebir aynı yedek parçaları kullanın.** Bu kılavuzun Bakım bölümündeki talimatları izleyin. Orijinal olmayan parça kullanımı veya Bakım talimatlarına uyulmaması elektrik çarpması veya yaralanma riski oluşturabilir.

ŞARJ CİHAZI İÇİN GÜVENLİK KURALLARI

⚠ DİKKAT: Elektrik çarpması veya şarj cihazı ve pil hasarı riskini azaltmak için, sadece şarj cihazınızın etiketinde özel olarak belirtilen lityum-iyon şarj edilebilir pilleri şarj edin. Diğer pil türleri patlayabilir ve kişisel yaralanmalara veya hasara neden olabilir.

- Bu cihaz, gözetim altında olmadıkları veya güvenliklerinden sorumlu bir kişi tarafından cihazın kullanımı ile ilgili talimat almadıkları sürece zihinsel yetenekleri zayıf, fiziksel duyu kaybı veya tecrübe ve bilgi yetersizliği olan kişiler tarafından (çocuklar dahil) kullanılmak üzere tasarlanmamıştır.
- **Pil şarj cihazını kullanmadan önce,** ürünlerin hatalı kullanılmasını, olası yaralanma ve hasarları önlemek için, bu kılavuzdaki ve şarj cihazı, pil ve pillin kullanıldığı ürün üzerindeki tüm talimatları ve uyarıcı işaretleri okuyun.
- **Şarj cihazını açık havada kullanmayın, yağmur veya ıslak ortamlara maruz bırakmayın.** Şarj cihazının içine giren su, elektrik çarpması riskini artırır.
- **Şarj cihazını, fişini ve şarj cihazı terminallerini ıslak elle tutmayın.**

- **Şarj cihazı üreticisi tarafından önerilmeyen veya satılmayan bir parçanın kullanımı yangın, elektrik çarpması veya kişisel yaralanma riskine yol açabilir.**
- **Sadece üretici tarafından belirtilen şarj cihazı ile şarj edin.** Bir pil takımı için uygun olan şarj cihazı, başka bir pil takımı ile kullanıldığında yangın riski oluşturabilir.
- **Kabloyu veya şarj cihazını yanlış kullanmayın.** Güç kablosunu asla şarj cihazını taşımak için kullanmayın. Fişi prizden çıkarırken asla elektrik kablosundan tutarak çekmeyin. Kablo veya şarj cihazı zarar görebilir ve elektrik çarpması tehlikesi oluşturabilir. Hasarlı güç kablolarını derhal değiştirin.
- **Kablolu üzerine basılmayacak, takılıp düşülmeyecek, keskin kenarlar veya hareketli parçalara temas etmeyecek, herhangi bir hasara veya gerilime maruz kalmayacak şekilde konumlandırıldığından emin olun.** Bu kurala uyulması, yaralanmaya ve kabloya hasara yol açarak elektrik çarpmasına neden olabilecek kazara düşme riskini azaltır.
- **Gövde veya dahili parçaların zarar görmesini önlemek için şarj cihazını ve kabloyu ısı kaynaklarından uzak tutun.**
- **Benzin, yağ, petrol bazlı ürünler, vb. maddelerin plastik parçalara temas etmesine izin vermeyin.** Bu maddeler, plastiğe zarar verebilen, plastiği zayıflatılabilen veya parçalayabilen kimyasal maddeler içerir.
- **Kısa devreye ve elektrik çarpmasına neden olabileceğinden, kablosu veya fişi zarar görmüş bir cihazı çalıştırmayın.** Arızalı olması durumunda, şarj cihazının bir EGO Servis Merkezindeki yetkili servis teknisyenleri tarafından onarılmasını veya değiştirilmesini sağlayın.
- **Ağır bir darbeye maruz kalan, yere düşürülen veya başka bir şekilde hasar görmüş şarj cihazlarını kullanmayın.** Şarj cihazının düzgün çalışıp çalışmadığını tespit etmek için yetkili bir servis teknisyenine götürerek elektrik kontrolü yaptırın.
- **Şarj cihazını demonte etmeyin.** Servis veya onarım gerekiyorsa, ürünü yetkili bir servis teknisyenine götürün. Hatalı montaj yangın riskine, elektrik çarpması veya ölüme yol açabilir.
- **Elektrik çarpması riskini azaltmak için, şarj cihazına herhangi bir bakım veya temizlik işlemi yapmadan önce fişini prizden çekin.**
- **Kullanmadığınız zaman daima cihazın fişini prizden çekin.** Bu sayede cihazın havalandırma deliklerine metal parçaların düşmesi halinde elektrik çarpması veya cihaz hasarı riski azaltılmış olur. Ayrıca bir güç dalgalanması sırasında şarj cihazının zarar görmesi de önlenmiş olur.
- **Elektrik çarpması tehlikesi.** Çıkış konektörünün yalıtımsız kısmına veya yalıtımsız pil terminaline dokunmayın.

TR

- **Bu talimatları saklayın.** Talimatlara sık sık müracaat edin ve bu aleti kullanacak diğer kişileri bilgilendirmek için kullanın. Bu aleti başka birine ödünç vererseniz, ürünün hatalı kullanılmasını ve olası yaralanmaları önlemek için bu talimatları da ürünle birlikte verin.

ÖNEMLİ GÜVENLİK TALİMATLARI

- **Bu talimatları saklayın.** Bu kılavuz 56V Hızlı Şarj Cihazı CH5500E için önemli güvenlik ve çalıştırma talimatlarını içermektedir.
- **Pil şarj cihazını kullanmadan önce, şarj cihazı, pil ve pilin kullanıldığı ürün üzerindeki tüm talimatları ve uyarıcı işaretleri okuyun.**

⚠ UYARI: Elektrikli cihazları kullanırken aşağıdakiler de dahil olmak üzere temel önlem ve ikazlara mutlaka uyulmalıdır.

- Cihaz çocukların yanında kullanılırken yaralanma riskini azaltmak için yakın gözetim gereklidir.
- Sadece üretici tarafından önerilen veya satılan parça ve aksesuarları kullanın.
- Açık havada kullanmayın.
- Taşınabilir bir cihaz için – Elektrik çarpma riskine karşı şarj cihazını su veya diğer sıvılara batırmayın. Aleti kuvvet veya lavaboya düşebileceği veya çekilebileceği yerlerde bulundurmayın veya muhafaza etmeyin.

⚠ DİKKAT: Yaralanma riskine karşı, sadece lityum-iyon şarj edilebilir pilleri şarj edin. Diğer pil türleri patlayabilir ve kişisel yaralanmalara veya hasara neden olabilir.

TEKNİK ÖZELLİKLER

Şarj Cihazı Girişi	220-240 V~ 50 Hz, 550W,
Şarj Cihazı Çıkışı	5-8 A 56 V 
Şarj Süresi	BA1120E pil paketi için yaklaşık 25 dakika BA1400/BA2240E/ BA1400T/BA2240T/ BA2242T pil paketi için yaklaşık 30 dakika BA2800/BA2800T pil paketi için yaklaşık 40 dakika BA3360 pil paketi için yaklaşık 45 dakika BA4200/BA4200T pil paketi için yaklaşık 60 dakika BAX1300 pil paketi için yaklaşık 190 dakika BA5600T pil paketi yaklaşık 70 dakika BA6720T pil paketi yaklaşık 90 dakika

TR

Optimum Şarj Sıcaklığı	5°C-40°C
Şarj Cihazının Ağırlığı	1,9 kg

AÇIKLAMA

ŞARJ CİHAZINIZI TANIYIN (Şek. A)

1. Montaj Yuvası
2. Soğutma Hava Girişi
3. LED Göstergeler
4. Elektrik Temas Noktaları
5. Yumuşak Tutma Sapı
6. Duvar Montaj Deliği

ÇALIŞTIRMA

PİL PAKETİ NASIL ŞARJ EDİLİR

⚠ UYARI: Şarj cihazını açık havada kullanmayın, yağmur veya ıslak ortamlara maruz bırakmayın. Şarj cihazının içine giren su, elektrik çarpması riskini artırır.

⚠ UYARI: Lityum iyon pil paketleri kısmen şarj edilmiş olarak gönderilir. İlk olarak kullanmadan önce pil paketini tamamen şarj edin.

1. Şarj cihazını güç kaynağına takın (220-240V~ 50Hz). Dört şarj göstergesi LED'i kısa süre yeşil renkte yanarak şarj cihazının düzgün çalıştığını gösterir.
2. Akü/adaptörün yükseltilmiş dişlerini şarj cihazındaki montaj yuvaları ile hizalayın; akü/adaptörü şarj cihazına kaydırın (Şek. B).

NOT: BAX1300 aküyü şarj ederken, önce adaptörü aküye bağlayın.

3. Şarj cihazı pil paketi ile iletişim kurarak pil paketinin durumunu değerlendirir.
4. Pil paketi şarj edilirken, şarj cihazı üzerindeki yeşil LED yanıp söner. Aküdeki (BA1120E, BA1400, BA2240E, BA2800, BA3360, BA4200) güç göstergesi sıra ile yanıp söner: kırmızı, turuncu ve yeşil ya da BAX1300 aküdeki LCD güç göstergesi sayısal şarj kapasitesini gösterir. Aküdeki 5 LED göstergenin son sekmesi yeşil renkte yanacaktır(BA1400T, BA2240T, BA2242T, BA2800T, BA4200T, BA5600T, BA6720T). Şarj cihazındaki fan sürekli olarak aküyü soğutmak için çalışır.
5. Pil paketi tamamen şarj edildiğinde, yeşil LED'in yanıp sönmeyeceği şekilde sürekli olarak yeşil renkte yanar. Aküdeki güç göstergesi sönecektir. Soğutma fanı durana kadar bekleyin, ardından aküyü/adaptörü şarj cihazından çıkarın ve şarj cihazının güç kaynağı bağlantısını kesin.
6. Pil paketi şarj cihazında bırakılırsa tamamen dolar, ancak aşırı şarj edilmez. Pil paketi (BAX1300 hariç) bir ay veya daha fazla şarj cihazında kalırsa, kendi kendine bakım işlemi yaparak %30 şarj kapasitesine düşer. Bu meydana gelirse, pil paketini yeniden şarj cihazına takın ve tamamen şarj edin.

Şek. C parça açıklaması aşağıdaki gibidir:

C-1	LED 1	C-3	LED 3
C-2	LED 2	C-4	LED 4

Uyarı:

- Pil paketi tamamen şarj edildikten sonra çalışma

süresi önemli ölçüde azalmışsa bu, pillerin kullanım ömürlerinin dolmak üzere olduğunu ve değiştirilmeleri gerektiğini gösterir.

- Şarj cihazı şarj işlemi sırasında ısınabilir. Bu durum şarj cihazının normal çalışmasının bir parçasıdır. İyi havalandırılmış bir alanda şarj edin.

ŞARJ CİHAZININ LED İŞLEVLERİ

BA1120E, BA1400, BA2240E, BA2800, BA3360, BA4200

LED Gösterge	Pil Paketi	Şarj cihazı üzerindeki led				Pil paketi üzerindeki güç göstergesi	Pil paketinin gücü	Eylem
		LED1	LED2	LED3	LED4			
	Arızalı	Yanıp sönen kırmızı veya kapalı	Kapalı	Kapalı	Kapalı	Kapalı	—	Pil paketi veya şarj cihazı arızalı.
	Soğuk/ Sıcak Pil	Kırmızı yanıyor	Kapalı	Kapalı	Kapalı	Kapalı	—	Pil paketi 3°C-57°C'ye döndüğünde şarj işlemi başlar.
	Şarj ediliyor	Yanıp sönen yeşil	Kapalı	Kapalı	Kapalı	Sırasıyla kırmızı, turuncu ve yeşil yanıp sönüyor	%25'ten az	Şarj ediliyor
		Dönüşümlü olarak yeşil yanıyor	Kapalı	Kapalı			%25 ila %50	Şarj ediliyor
		Dönüşümlü olarak yeşil yanıyor		Kapalı			%50 ila %75	Şarj ediliyor
		Dönüşümlü olarak yeşil yanıyor					%75 ila %90	Şarj ediliyor
	Tam şarjlı	Sürekli olarak yeşil yanıyor				Kapalı	%90 ila %100	Şarj işlemi tamamlandı. Bakım durumunda şarj.
—	Kendi kendine bakım	Aralıklı olarak yeşil renkte hızlı yanıp sönüyor				Kapalı	Yaklaşık %30	Pil paketi kendi kendine bakım işlemi yapıyor veya uyku modunda. Pil paketini yeniden şarj cihazına takın ve tamamen şarj edin.

TR

LED Gösterge	Pil Paketi	Şarj cihazı üzerindeki led				Aküde 5 ledli gösterge	Pil paketinin gücü	Eylem
		LED1	LED2	LED3	LED4			
	Arızalı	Yanıp sönen kırmızı veya kapalı	Kapalı	Kapalı	Kapalı	Kapalı	—	Pil paketi veya şarj cihazı arızalı.
	Soğuk/ Sıcak Pil	Kırmızı yanıyor	Kapalı	Kapalı	Kapalı	Kapalı	—	Pil paketi 3°C-57°C'ye döndüğünde şarj işlemi başlar (BA1400T, BA2242T, BA2800T, BA4200T, BA5600T, BA6720T)/3°C-50°C(BA2240T).
	Şarj ediliyor	Yanıp sönen yeşil	Kapalı	Kapalı	Kapalı	Yeşil renkte tananson sekme, sabit yeşilde kalır	%25'ten az	Şarj ediliyor
		Dönüşümlü olarak yeşil yanıyor		Kapalı	Kapalı		%25 ila %50	Şarj ediliyor
		Dönüşümlü olarak yeşil yanıyor		Kapalı			%50 ila %75	Şarj ediliyor
		Dönüşümlü olarak yeşil yanıyor					%75 ila %90	Şarj ediliyor
	Tam şarjlı	Sürekli olarak yeşil yanıyor				Kapalı	%90 ila %100	Şarj işlemi tamamlandı. Bakım durumunda şarj.
—	Kendi kendine bakım	Aralıklı olarak yeşil renkte hızlı yanıp sönüyor				Kapalı	Yaklaşık %30	Pil paketi kendi kendine bakım işlemi yapıyor veya uyku modunda. Pil paketini yeniden şarj cihazına takın ve tamamen şarj edin.

TR

SICAK VEYA SOĞUK PİL PAKETİNİN ŞARJ EDİLMESİ

Pil paketi normal sıcaklık aralığının dışındaysa, LED1 kırmızı renkte yanar. Pil paketi yaklaşık 57°C (BAX1300 için 42°C , 50°C for BA2240T)'ye kadar soğuduğunda veya 3°C'ye kadar ısındığında, şarj cihazı otomatik olarak şarj etmeye başlar ve 4 LED normal seyrinde çalışır.

ARIZALI PİL PAKETİ VEYA ŞARJ CİHAZI

Şarj cihazı bir sorun olduğunu algılasa, kırmızı LED yanıp sönmeye başlar ve yeşil LED söner.

BA1120E, BA1400, BA2240E, BA2242T,BA2800, BA3360, BA4200, BA1400T, BA2240T, BA2800T, BA4200T, BA5600T, BA6720TT 'ü ŞARJ ETMEK İÇİN

1. Göstergeler arızaya işaret ediyorsa, pil paketini şarj cihazından çıkarıp tekrar takın. LED'ler ikinci kez „arızalı“ olarak görünüyorsa, farklı bir pil paketini şarj etmeyi deneyin.
2. Farklı bir pil paketi normal şekilde şarj ediliyorsa, arızalı pil paketini imha edin (pil paketinin kılavuzundaki talimatlara başvurun).
3. Farklı bir pil paketi ile de „arızalı“ olarak görünüyorsa, şarj cihazının fişini çekin ve kırmızı LED sönmüceye kadar bekleyin, ardından yeniden fişini takın. Şarj cihazı üzerindeki kırmızı LED hala arızaya işaret ediyorsa, şarj cihazı arızalı olabilir.

BAKIM

1. Arıza belirtiliyorsa, aküyü ve şarj cihazını çıkarın ve yeniden adaptörle bağlayın. LED'ler ikinci bir kez "arızalı" gösterirse, yeni bir adaptör ile değiştirmeyi veya farklı bir aküyü şarj etmeyi deneyin.
2. Farklı bir akü veya adaptör normal şarj oluyorsa, arızalı adaptör veya aküyü bertaraf edin (akü kılavuzundaki talimatlara başvurun).
3. Aküyü ve adaptörü birlikte değiştirirken de "arızalı" olarak belirtiliyorsa, şarj cihazını çıkarın ve yanıp sönen LED1 sönene kadar bekleyin, ardından fişi tekrar güç kaynağına bağlayın. Şarj cihazındaki LED1 halen arızalı gözüküyorsa, şarj cihazı arızalı olabilir.

DUVAR MONTAJ DELİKLERİ

Şarj cihazı, uygun biçimde saklama amacıyla askı deliklerine sahiptir (Şek. A-5). Vidaları duvardan 76mm dışarıda kalacak şekilde monte edin. Şarj cihazı ile pil paketinin toplam ağırlığını (yaklaşık olarak maksimum 3,3 kg) taşıyacak yeterli kapasiteye sahip vidaları kullanın.

BAKIM

UYARI: Ciddi kişisel yaralanmaları önlemek için, temizlik veya bakım işlemlerini gerçekleştirirken daima pil paketini aletten çıkarın.

UYARI: Bakım ve onarım sırasında sadece orijinal EGO yedek parçalarını kullanın. Diğer parçaların kullanılması tehlike oluşturabilir veya ürünün hasar görmesine neden olabilir.

UYARI: Şarj cihazını temizlemek için basınçlı kuru hava kullanılması tavsiye edilmez. Uygulanabilecek tek temizlik yolu basınçlı hava ise, aleti temizlerken daima göz koruması veya yan siperleri olan koruyucu gözlük kullanın. Çalışma tozlu ise bir toz maskesi de takın.

UYARI: Elektrik kablosu hasar görmüşse, herhangi bir tehlikeye meydan vermemek için üretici, yetkili servis veya benzeri yetkili kişiler tarafından değiştirilmelidir.

GENEL BAKIM

Plastik parçaları temizlerken çözücü maddeler kullanmaktan kaçının. Plastikler çeşitli ticari çözücü türlerinden kötü yönde etkilenmeye yatkındır ve kullanılmaları durumunda zarar görebilirler. Kir, toz, yağ, gres, vb. gidermek için temiz bez kullanın.

UYARI: Fren sıvıları, benzin, petrol bazlı ürünler, içe işleyen yağlar, vb. nin plastik parçalara temas etmesine kesinlikle izin vermeyin. Kimyasal maddeler plastik parçalara hasar verebilir, bu tür parçaları zayıflatabilir veya parçalayabilir ve bu durum ciddi yaralanmalara neden

olabilir.

UYARI: Bakım ve onarım sırasında sadece orijinal EGO yedek parçalarını kullanın. Diğer parçaların kullanılması tehlike oluşturabilir veya ürünün hasar görmesine neden olabilir. Güvenliği ve güvenilirliği sağlamak için, tüm onarım işlemleri bir EGO Servis Merkezinde, yetkili bir servis teknisyeni tarafından gerçekleştirilmelidir.

Çevre koruması



Elektrikli cihazları, pil şarj cihazını ve pilleri/şarj edilebilir pilleri evsel atıklarla birlikte atmayın!

AB Yasası 2012/19/EU uyarınca, kullanılamaz durumdaki elektrikli ve elektronik cihazlar ve AB Yasası 2006/66/EC uyarınca, arızalı veya kullanılmış pil paketleri/piller ayrı olarak toplanmalıdır.

Elektrikli cihazlar katı atık sahaları veya çöp toplama alanlarına atılırsa, yer altı sularına ve besin zincirine tehlikeli maddeler sızabilir, bu da sağlığınızın bozulmasına yol açabilir.



SORUN GİDERME

SORUN	NEDENİ	ÇÖZÜM
Şarj cihazı çalışmıyor. LED1 kırmızı yanıp sönüyor veya tüm LED'ler sönmüş.	Akü, adaptör veya şarj cihazı arızalı ya da akü, adaptör ve şarj cihazı arasındaki bağlantı kötü.	<ul style="list-style-type: none">■ Akü/adaptörü çıkarıp şarj cihazına yeniden takmayı deneyin.■ Adatörü çıkartıp aküye tekrar bağlamayı deneyin (BAX1300 için) .■ Adaptörü değiştirmeyi deneyin.■ Farklı bir pil paketini şarj etmeyi deneyin.■ Şarj cihazının fişini çekin ve kırmızı LED sönmüceye kadar bekleyin, ardından yeniden fişi prize takın.
Şarj cihazı çalışmıyor ve LED1 kırmızı yanıyor.	Pil paketi çok sıcak veya çok soğuk.	<ul style="list-style-type: none">■ Pil paketinin normal sıcaklığa ulaşmasını sağlayın. Pil paketi 3°C-57 °C'ye döndüğünde şarj işlemi başlar (BAX1300 için 42 °C , 3°C -50°C for BA2240T).

GARANTI

EGO GARANTİ POLİTİKASI

EGO Garanti politikasına ilişkin tüm hüküm ve koşullar için, lütfen egopowerplus.com adresindeki web sitemizi ziyaret edin.

TR

LUGEGE KÕIKI JUHISEID!



LUGEGE KASUTUSJUHEIDIT

⚠ Jääkrisk! Inimesed, kes kasutavad elektroonilisi seadmeid, nt südamestimulaatorit, peaksid enne selle toote kasutamist konsulteerima oma arstiga. Elektriseadmete kasutamine südamestimulaatori läheduses võib põhjustada südamestimulaatori häireid või rikkeid.

⚠ HOIATUS: Turvalisuse ja usaldusvärsuse tagamiseks peab kõiki parandustöid läbi viima kvalifitseeritud hooldustehnik.

⚠ HOIATUS: Seda seadet on lubatud kasutada vähemalt ka 8-aastastel lastel ning vaimse või füüsilise puudega isikutel või inimestel, kellel puudub kogemus või erialased teadmised, eeldusel, et neile isikutel on tagatud järelvalve või nõustamine seadme ohutu kasutamise osas ning seadmega töötades esineda võivate ohtude kohta. Lapsed ei tohi ilma järelvalveta seadet hooldada ega puhastada.

OHUTUSSÜMBOLID

Ohutussümbolite eesmärk on tõmmata teie tähelepanu võimalikele ohtudele. Ohutussümbolitele ja nende juures olevatele seletustele tuleb korralikult tähelepanu pöörata ja need endale selgeks teha. Ohutussümbolid iseenesest ei kõrvalda ohu olemasolu. Nendega kaasnevad juhendid ja hoiatused ei asenda korralikke õnnetuste vältimise meetmeid.

⚠ HOIATUS: Enne käesoleva seadme kasutamist lugege kindlasti läbi ja tehke endale selgeks kõik Kasutusjuhendis toodud ohutusjuhised, sh kõik ohutussümbolid nagu „OHT,” „HOIATUS,” ja „ETTEVAATUST”. Kui kõiki allpool loetletud juhiseid ei järgita, võib tagajärjeks olla elektrilöök, tulekahju ja/või tõsised isikuvigastused.

OHUTUSJUHISED

Sel lehel on kujutatud ja kirjeldatud ohutusesümboliteid, mida võib käesolevalt tootelt leida. Enne, kui üritate masinat kokku panna ja kasutada, lugege, tehke omale selgeks ja järgige kõiki juhiseid.

	Ohutusteade	Teie turvalisusega seotud ettevaatusabinõud
	Lugege kasutusjuhendit	Et vähendada vigastuste ohtu, peab kasutaja lugema kasutusjuhendit.
	Sisekasutus	Kasutage seda seadet ainult sisetingimustes
	II klassi konstruktsioon	Tõpeltisolatsiooniga konstruktsioon.
T6,3A 	Kaitsmeühendused	Ajaviitega miniatuurne kaitsmeühendus
	CE	Toode vastab rakendatavatele EÜ direktiividele.
	UKCA	See toode vastab asjakohastele UK seadustele.
	WEEE	Elektritoodete jäätmetest ei tohi vabaneda olmejäätmete seas. Viige heaks kiidetud taaskäitleja juurde.
V	Volti	Pinge
A	Amprit	Voolutugevus
Hz	Hertsi	Sagedus (tsükli sekundis)
W	Vatti	Võimsus
min	Minutit	Aeg
	Vahelduvvool	Voolu tüüp
	Alalisvool	Voolu tüüp või omadus

⚠ HOIATUS: Lugege kõiki juhiseid ja tehke need endale selgeks. Kui kõiki allpool loetletud juhiseid ei järgita, võib tagajärjeks olla elektrilöök, tulekahju ja/või tõsised isikuvigastused.

TÖÖPIIRKOHHA OHUTUS

- **Hoidke tööpiirkond puhas ja hästi valgustatud.** Segadus või valgustamata tööpiirkonnad võivad põhjustada õnnetusi.
- **Ärge kasutage EGO-laadijat plahvatusohtlikus keskkonnas, kus leidub nt tuleohtlikke vedelikke, gaase või tolmu.** Laadija võib tekitada sädemeid, mis võivad süüdata tolmu või aursid.

ELEKTRILINE OHUTUS

- **Elektriliset tööriista tuleb ühendada sobivasse pistikupessa.** Ärge kunagi muutke pistikut mitte mingil viisil. Ärge kasutage koos maandatud elektriliste

ET

tööriistadega mingisuguseid üleminekuadaptoreid. Muutmata pistikute ja sobivate pistikupesade kasutamine vähendab elektrilöögi ohtu.

- **Ärge jätke laadijat vihma kätte ega niisketesse tingimustesse.** Kui laadijasse satub vett, suureneb elektrilöögi oht.
- **Ärge rikkuge juhett.** Ärge kasutage juhett laadija kandmiseks või tõmbamise ja ärge tõmmake juhtmest, kui soovite pistikut pistikupesast eemaldada. Vältige juhtme kokkupuudet kuumade objektide, õli, teravate äärte või liikuvate osadega. Kahjustatud või puntras juhe suurendab elektrilöögi ohtu.
- **Vältige kehalist kontakti maandatud pindadega (nt torud, radiaatorid, piirded, külmikud).** Kui teie keha on maandatud, suureneb elektrilöögi oht.
- **Elektrilise tööriistaga välitingimustes töötamiseks kasutage välitingimustesse sobivat pikendusjuhett.** Välitingimustesse sobiva juhtme kasutamine vähendab elektrilöögi ohtu.
- EGO-laadijaga saab laadida allpool loetletud ega liitumaku pakke:

LAADIJA	AKUPLOKID
CH5500E	BA1120E, BA1400, BA2240E, BA2240T, BA2242T, BA2800, BA3360, BA4200, BA1400T, BA2800T, BA4200T, BA5600T, BA6720T

HOOLDUS

- **Laske oma laadijat hooldada kvalifitseeritud remonditehnikul, kes kasutab ainult identseid originaalvaruosi.** See tagab laadija ohutuse säilimise.
- **Remontimisel kasutage vaid originaalvaruosi. Järgige käesoleva kasutusjuhendi Hoolduse lõigus toodud juhiseid.** Lubamatute osade kasutamine või hooldusjuhiste eiramine võib põhjustada elektrilöögi või kehavigastuse ohtu.

LAADIJA TURVAREGLID

ET

⚠ ETTEVAATUST. Elektrilöögi saamise või seadme/aku kahjustuse ohtu vähendamiseks laadige ainult teie laadija andmesiltil märgitud näitudele vastavaid akusid. Muud tüüpi akud võivad lõhkeda ja põhjustada varalist kahju või kehavigastusi.

- Seda seadet pole lubatud kasutada vaimse või füüsilise puudega isikutel või lastel, välja arvatud juhul, kui neile on määratud järelevalvaja, kes jälgib ja juhendab neid seadme ohutu kasutamise ning seadmega töötades esineda võivate ohtude kohta.
- **Enne akulaadija kasutamist** lugege läbi kõik selles juhendis sisalduvad ja laadijale, akule ning akut kasutatavale tootele kantud juhised ja hoiatustähised, et ennetada toodete väärkasutamist ja sellest põhjustatud

võimalikke vigastusi või varalisi kahjusid.

- **Ärge kasutage laadijat välitingimustes ning vältia märgi või niiskeid keskkondi.** Kui laadijasse satub vett, suureneb elektrilöögi oht.
- **Ärge puudutage laadijat, laadija juhett ega laadija terminale märgade kätega.**
- **Kui kasutate mitte soovitatud varuosa või varuosa, mida pole tootnud akulaadija tootja, võite põhjustada tulekahju, elektrilöögi või vigastusi kõrvalseisjatele.**
- **Kasutage laadimiseks ainult tootja poolt ette nähtud laadijaid.** Akulaadija, mis sobib teatud tüüpi akuplokile, võib põhjustada tulekahju ohtu, kui seda kasutada mõne teise akuplokiga.
- **Ärge rikkuge juhett laadija kandmiseks või tõmbamise ja ärge tõmmake juhtmest, kui soovite pistikut pistikupesast eemaldada.** Ärge tõmmake seadme laadija küljest eemaldamiseks seadme juhett. Nii võite kahjustada juhett või laadijat ja tekitada elektrilöögi ohtu. Kahjustatud juhe tuleb koheselt välja vahetada.
- **Veenduge, et juhe on paigutatud nii, et sellele ei saa peale astuda, selle otsa ei saa komistada ning see ei saa okku puutuda teravate äärte ega liikuvate detailidega. Vastasel juhul võite juhett kahjustada või liigselt kulutada.** Nii vähendate juhuslike kukkumiste riski, mis võivad põhjustada vigastusi või kahjustada juhett, mille tulemusena võite saada elektrilöögi.
- **Vältige juhtme ja laadija kokkupuudet kuumade objektidega, sest need kokkupuuted võivad kahjustada korpust või sisemisi detaile.**
- **Ärge laske bensiinil, õlidel, nafta baasil toodetel jms plastosadega kokku puutuda.** Need ained sisaldavad kemikaale, mis võivad plastikut vigastada, nõrgestada või hävitada.
- **Ärge kasutage laadijat, kui selle juhe või pistik on kahjustatud, sest nii võite põhjustada lühise või saada elektrilöögi.** Kahjustatud laadija vahetage või laske remondida kvalifitseeritud tehnikul EGO ametlikus hoolduskeskuses.
- **Ärge kasutage laadijat, kui see on saanud löögi, maha kukkunud või muul viisil kahjustatud.** Viige see volitatud hooldustehniku juurde kontrolli, et otsustada, kas laadija on piisavalt heas töökorras.
- **Ärge võtke laadijat osadeks lahti.** Kui seadet on vaja hooldada või kontrollida, viige see volitatud hooldustehniku juurde. Ebakorrektselt kokku monteeritud seade võib põhjustada elektrilöögi või tulekahju.
- **Enne seadme hooldamist või puhastamist eemaldage laadija elektrilöögi vältimiseks vooluvõrgust.**
- **Kui te laadijat ei kasuta, eemaldage see vooluvõrgust.** See vähendab elektrilöögi ja kahjustuste ohtu, kui seadme avasse peaks kukkuma metallosakesi. Samuti väldite niimoodi võimalikke pingekõikumisest tulenevaid kahjustusi.

- **Elektrilöögi oht.** Ärge puudutage pistikupesa isoleerimata osa ega aku isoleerimata klemme.
- **Hoidke see kasutusjuhend alles.** Lugege seda sageli ning kasutage seda, et seadet sageli kasutavaid isikuid välja õpetada. Kui te seadet kellelegi laenate, andke sellega kaasa ka käesolev kasutusjuhend, et vältida seadme väärkasutamist ja võimalikke vigastusi.

OLULISED OHUTUSJUHISED

- **Hoidke see kasutusjuhend alles.** Selles juhendis sisalduvad olulised 56V kiirlaadija CH5500E ohutus- ja kasutusjuhised.
- **Enne akulaadija kasutamist lugege läbi kogu kasutusjuhend ja kõik akulaadijale, akule ja akut kasutavale tootele paigaldatud ohutusmärgised.**

⚠ HOIATUS: Elektriseadmete kasutamisel tuleb alati järgida elementaarseid ohutusnõudeid, sealhulgas ka alljärgnevat:

- Vigastuste ohu vähendamiseks, tuleb olla väga ettevaatlik, kui kasutate seadet laste läheduses.
- Kasutage ainult tootja soovitud või tootja pakutavaid varuosi.
- Ärge kasutage seadet välitingimustes.
- Kaasaskantava seadme puhul elektrilöögi ohu vähendamiseks ärge pange laadijat vette ega ühegi teise vedeliku sisse. Ärge paigutage ega hoiustage seadet kohas, kust see võib vanni või kraanikaussi kukkuda.

⚠ ETTEVAATUST: Vigastuste ohu vähendamiseks laadige ainult laetavaid liitiumioonakusid. Muud tüüpi akud võivad lõhkeda ja põhjustada varalist kahju või kehavigastusi.

SPETSIFIKATSIOONID

Laadija sisend	220-240 V~50 Hz, 550 W
Laadija väljund	5-8 A 56 V
Kiirlaadimise kestus	Kuni 25 minutit BA1120E akuploki puhul Kuni 30 minutit BA1400/BA2240E/BA1400T/BA2240T/BA2242T akuplokkipuhul Kuni 40 minutit BA2800/BA2800T akuploki puhul Kuni 45 minutit BA3360 akuploki puhul Kuni 60 minutit BA4200/BA4200T akuploki puhul Kuni 190 minutit BAX1300 akuploki puhul Kuni 70 minutit BA5600T akuploki puhul Kuni 90 minutit BA6720T akuploki puhul

Optimaalne laadimistemperatuur	5 °C-40 °C
Laadija mass	1,9 kg

KIRJELDUS

TUNNE OMA LAADIJAT (Joon. A)

1. Kinnituspesa
2. Jahutusõhu ava
3. LED-indikaatorituled
4. Elektrikontaktid
5. Pehme sang
6. Seinakinnitusauk

KASUTAMINE

KUIDAS AKUT LAADIDA

⚠ HOIATUS: Ärge kasutage laadijat välitingimustes ning vältia märgi või niiskeid keskkondi. Kui laadijasse satub vett, suureneb elektrilöögi oht.

MÄRKUS: Liitiumioonakud toimetatakse kohale osaliselt laetuna. Enne esmakordset kasutamist laadige aku täielikult täis.

1. Ühendage laadija vooluvõrku (220-240V~ 50Hz). Neljal laadija indikaatoril vilgub hetkeks roheline tuli, mis teavitab, et laadija töötab korrektselt.
2. Joondate akuploki / adapteri pinnast kõrgemad ribad laadija kinnitusrivadega; libistage akuplokk / adapter laadijasse (Joon. B).

MÄRKUS: BAX1300 akuploki laadimisel ühendage kõigepealt adapter akuga.

3. Laadija suhtleb akuplokiga, et hinnata akuploki laetust.
4. Kui akuplokk laetakse, vilgub LEDidel vaheldumisi (vasakult paremale) roheline tuli, mis teavitab aku laetuse määra (vt joonist C). Akuploki (BA1120E, BA1400, BA2240E, BA2800, BA3360, BA4200) toiteindikaatoril vilguvad vaheldumisi punane, oranž ja roheline tuli, aga BAX1300 akuploki LCD toiteindikaator näitab laadimise edenemist numbriliselt. Akuploki 5 LED-tulega indikaatori viimane osa vilgub roheliselt (BA1400T, BA2240T, BA2242T, BA2800T, BA4200T, BA5600T, BA6720T jaoks). Laadijas olev ventilaator töötab akuploki jahutamiseks pidevalt.
5. Kui akuplokk on täielikult laaditud, lõpetab laadimist tähistav LED vilkumise ja roheline tuli jääb püsivalt

ET

põlema. Akuploki teiteindikaatori tuli kustub. Oodake kuni jahutusventilaator seiskub, eemaldage akuplokk / adapter laadijast ja ühendage laadija vooluallikast lahti.

6. Kui jätate akuploki laadijasse, laetakse see täielikult, aga ülelaadimist ei toimu. Kui akuplokk (välja arvatud BAX1300) jääb laadija peale kuuks ajaks või kauemaks, käivitub automaatne hooldusprotsess ja akuploki laetus langeb 30%-ni. Kui see juhtub, võtke akuplokk korra laadijalt ära ja pange siis laadija peale tagasi, et akuplokk lõpuni laeks.

Joonise C osade kirjeldus, vt allpool:

C-1	LED 1	C-3	LED 3
C-2	LED 2	C-4	LED 4

MÄRKUS:

- Oluliselt vähenenud tööaeg pärast aku täislaadimist viitab sellele, et aku kasutusaeg on peaaegu lõppenud ja et see tuleb välja vahetada.
- Laadija võib laadimise käigus soojeneda. See on laadija tööga kaasnev normaalne näht. Laadige akuplokki hea ventilatsiooniga kohas.

LAADIJA LEDIDE FUNKTSIONAALSUS

BA1120E, BA1400, BA2240E, BA2800, BA3360, BA4200 jaoks

LED-INDIKAATOR	AK-UPLOKK	LAADIJA LED				AKUPLOKI VOOLUINDIKAATOR	AKUPLOKI VÕIMSUS	TOIMING
		LED1	LED2	LED3	LED4			
	Defektne	Vilkuv punane või kustunud	Väljas	Väljas	Väljas	Väljas	—	Akuplokk või laadija on defektne.
	Külm/kuum aku	Põlev punane	Väljas	Väljas	Väljas	Väljas	—	Laadimine jätkub kui akuploki temperatuur on vahemikus 3°C-57°C.
	Laeb	Vilkuv roheline	Väljas	Väljas	Väljas	Punane, oranž ja roheline tuli vilguvad vaheldumisi	Vähem kui 25%	Laeb
		Aeg-ajalt põlev roheline		Väljas	Väljas		25% kuni 50%	Laeb
		Aeg-ajalt põlev roheline			Väljas		50% kuni 75%	Laeb
		Aeg-ajalt põlev roheline					75% kuni 90%	Laeb
	Täielikult laetud	Püsivalt põlev roheline				Väljas	90% kuni 100%	Laadimine on lõpetatud. Hoolduslaadimine.
—	Automaatne hooldus	Kiirelt vilkuv roheline				Väljas	Umbes 30%	Akuplokk teostab automaatset hooldust või on ooterežiimis. Asetage akuplokk laadija peale tagasi, et see lõpuni laeks.

ET

BA1400T, BA2240T, BA2242T, BA2800T, BA4200T, BA5600T, BA6720T jaoks

LED-INDIKAATOR	AK-UPLOKK	LAADIJA LED				5 LED-LAM-BIGA MÄRGUTULI AKUPOKLIK	AKUPOKLI VÕIMSUS	TOIMING
		LED1	LED2	LED3	LED4			
	Defektne	Vilkuv punane või kustunud	Väljas	Väljas	Väljas	Väljas	—	Akuplokk või laadija on defektne.
	Külm/kuum aku	Põlev punane	Väljas	Väljas	Väljas	Väljas	—	Laadimine jätkub kui akuploki temperatuur on vahemikus 3°C-57°C (BA1400T, BA2242T, BA2800T, BA4200T, BA5600T, BA6720T jaoks)/3°C-50°C (BA2240T jaoks).
	Laeb	Vilkuv roheline	Väljas	Väljas	Väljas	Viimane osa vilgub roheliselt, ülejäänud põleb roheliselt.	Vähem kui 25%	Laeb
		Aeg-ajalt põlev roheline		Väljas	Väljas		25% kuni 50%	Laeb
		Aeg-ajalt põlev roheline			Väljas		50% kuni 75%	Laeb
		Aeg-ajalt põlev roheline					75% kuni 90%	Laeb
	Täielikult laetud	Püsivalt põlev roheline				Väljas	90% kuni 100%	Laadimine on lõpetatud. Hoolduslaadimine.
—	Au-tomaatne hooldus	Kiirelt vilkuv roheline				Väljas	Umbes 30%	Akuplokk teostab automaatset hooldust või on ooterežiimis. Asetage akuplokk laadija peale tagasi, et see lõpuni laeks.

KUUMA VÕI KÜLMA AKUPOKLI LAADIMINE

Kui akuploki temperatuur pole lubatud vahemikus, põleb LED1 punaselt. Kui akuplokk jahtub temperatuurini 57°C (42°C BAX1300 puhul, 50°C for BA2240T) või soojeneb üle 3°C, alustab laadija automaatselt laadimist ja 4 LEDi süttivad normaalses järjekorras.

DEFEKTNE AKUPOKLIK VÕI LAADIJA

Kui laadija tuvastab probleemi, hakkab LED1 punaselt vilkuma või kustuvad kõik LEDid.

CHARGE BA1120E, BA1400, BA2240E, BA2242T, BA2800, BA3360, BA4200, BA1400T, BA2240T, BA2800T, BA4200T, BA5600T, BA6720T

- Defektide tuvastamisel võtke akuplokk laadijast välja ja pange tagasi. Kui ka teist korda kuvatakse LED-idega kiri "defektne", proovige laadida teist akuplokki.
- Kui teise akuploki laadimine õnnestub, viige defektne

akuplokk jäätmekogumispunkti (vaadake juhiseid akuploki juhendist).

- Kui ka teise akuploki puhul kuvatakse kiri "defektne", ühendage laadija vooluvõrgust lahti, oodake kuni vilkuv LED1 kustub ja seejärel ühendage laadija uuesti vooluvõrku. Kui laadija LED1 näitab endiselt defekti olemasolu, võib laadija defektne olla.

CHARGE BAX1300

- Defektide tuvastamisel ühendage akuplokk, adapter ja laadija lahti ning pange kokku tagasi. Kui ka teist korda kuvatakse LED-idega kiri "defektne", proovige vahetada välja adapter või laadida teist akuplokki.
- Kui teise adapteriga laadimine või teise akuploki laadimine õnnestub, viige defektne adapter või akuplokk jäätmekogumispunkti (vaadake juhiseid akuploki kasutusjuhendist).
- Kui nii akuploki kui adapteri välja vahetamise järgselt kuvatakse kiri "defektne", ühendage laadija

ET

vooluvõrgust lahti ja oodake kuni vilkuv LED1 kustub ning seejärel ühendage laadija uuesti vooluvõrku. Kui laadija LED1 näitab endiselt defekti olemasolu, võib laadija defektne olla.

SEINAKINNITUSAUGUD

Laadijal on mugavat hoiustamist võimaldavad augud seadme seinale riputamiseks (joon. A-6). Kinnitage seinale 76mm vahega kaks kruvi. Kasutage kruvisid, mis on piisavalt tugevad laadija ja akuploki koguraskuse (umbes 4,1 kg) üleväl hoidmiseks.

HOOLDUS

⚠ HOIATUS: Raskete kehavigastuste vältimiseks tuleb seadme puhastamise või hooldamise ajaks alati akuplokk eemaldada.

⚠ HOIATUS: Remondiks võib kasutada ainult identseid EGO originaalvaruosi. Mis tahes muude osade kasutamine võib põhjustada ohtlikke olukordi või seadet vigastada.

⚠ HOIATUS: Laadija puhastamiseks ei ole soovitatav kasutada kokkusurutud kuiva õhku. Kui kokkusurutud õhu kasutamine on ainus võimalik viis, kandke seadme puhastamise ajal kindlasti näokaitset või külgakaitsetega kaitseprille. Kui tööpiirkond on tolmune, kandke ka tolmumaski.

⚠ HOIATUS: Kui toitejuhe on kahjustatud, peab tootja, tootja hooldustehnik või mõni teine sarnase kvalifikatsiooniga isik selle ohu vältimiseks välja vahetama.

ÜLDINE HOOLDUS

Vältige plastosade kasutamisel lahustite kasutamist. Enamik plastmasse on kaubanduslike lahustite suhtes tundlikud ja võivad nende kasutamisel kahjustada saada. Kasutage mustuse, tolmu, õli, rasva jm eemaldamiseks puhast lappi.

⚠ HOIATUS: Ärge kunagi laske pidurivedelikel, bensiinil, nafta baasil toodetel, läbitungivatel õlidel jms puutuda kokku plastosadega. Kemikaalid võivad plastikut vigastada, nõrgestada või hävitada, mille tulemusena võivad tekkida tõsised isikuvigastused.

⚠ HOIATUS: Remondiks võib kasutada ainult identseid EGO originaalvaruosi. Mis tahes muude osade kasutamine võib põhjustada ohtlikke olukordi või seadet vigastada. Turvalisuse ja usaldusväarsuse tagamiseks peab kõiki parandustöid läbi viima kvalifitseeritud hooldustehnik EGO hoolduskeskuses.

Keskonnakaitse



Ärge visake elektriseadmeid, akulaadijat ega patareid / akusid olmeprügi hulka!

Vastavalt Euroopa Liidu eriaruandele nr 2012/19/EÜ tuleb elektri- ja elektroonikaseadmed, mis pole enam kasutatavad, ning, vastavalt direktiivile 2006/66/EÜ, ka defektssed või kasutatud akuplokid / patareid, eraldi kokku koguda.

Kui elektriseadmed maetakse maa sisse või viiakse prügimäele, võivad ohtlikud ained põhjavekke lekkida ja toiduahelasse sattuda ning kahjustada teie tervist ja heaolu.

TÖRKEOTSING

PROBLEEM	PÕHJUS	LAHENDUS
Laadija ei tööta. LED1-l vilgub punane tuli või kõik LEDid kustuvad.	Akuplokk, adapter või laadija on defektne või akuplokk, adapter ja laadija ei ole korralikult ühendatud.	<ul style="list-style-type: none">■ Proovige eemaldada akuplokk / adapter laadijast ja seejärel ühendage need uuesti.■ Proovige eemaldada adapter akuploki küljest ja seejärel ühendage need uuesti (BAX1300 puhul).■ Proovige adapter välja vahetada.■ Proovige laadida teist akuplokki.■ Ühendage laadija vooluvõrgust lahti, oodake kuni punane LED kustub ja seejärel ühendage laadija uuesti vooluvõrku.
Laadija ei tööta ja LED1 põleb punaselt.	Aku on liiga kuum või liiga külm.	Lubage akuplokil normaalse temperatuurini jahtuda. Laadimine jätkub kui akuploki temperatuur on vahemikus 3°C-57°C (42°C BAX1300 puhul, 3°C -50°C for BA2240T).

GARANTII

EGA GARANTIIPÕHIMÕTTED

Täielikud EGO garantiitingimused leiate veebilehelt egopowerplus.com.

ET

ПРОЧИТАЙТЕ ВСІ ІНСТРУКЦІЇ!



ПРОЧИТАЙТЕ ПОСІБНИК З ЕКСПЛУАТАЦІЇ

⚠ Залишковий ризик! Люди з електронними пристроями, наприклад кардіостимуляторами, повинні проконсультуватися зі своїм лікарем (лікарями) перед використанням цього виробу. Експлуатація електрообладнання в безпосередній близькості від кардіостимулятора може спричинити перешкоди або несправність кардіостимулятора.

⚠ ПОПЕРЕДЖЕННЯ: Для гарантування безпеки та надійності всі ремонтні роботи повинен проводити кваліфікований технічний спеціаліст.

⚠ ПОПЕРЕДЖЕННЯ: Цей прилад можуть використовувати діти старші 8 років і особи з обмеженими фізичними, сенсорними та розумовими можливостями або особи з недостатнім досвідом чи знаннями, якщо вони перебувають під наглядом або були проінструктовані стосовно використання пристрою та якщо вони розуміють можливу небезпеку. Дітям забороняється гратись з машиною. Дітям забороняється без нагляду чистити та обслуговувати прилад.

СИМВОЛИ, ЩО СТОСУЮТЬСЯ БЕЗПЕКИ

Мета символів, пов'язаних із безпекою, – привернути вашу увагу до можливих небезпек. Символи безпеки та їхнє пояснення заслуговують на вашу пильну увагу та розуміння. Символи попереджень самі по собі не усувають будь-якої небезпеки. Інструкції та попередження, які вони надають, не замінюють належних заходів щодо запобігання аваріям.

⚠ ПОПЕРЕДЖЕННЯ. Перш ніж користуватися цим інструментом, обов'язково ознайомтеся з усіма інструкціями з безпеки, наведеними в цьому посібнику користувача, зокрема з усіма символами попереджень, такими як «**НЕБЕЗПЕКА**», «**ПОПЕРЕДЖЕННЯ**» та «**ЗАСТЕРЕЖЕННЯ**». Недотримання наведених нижче вказівок може спричинити ураження електричним струмом, пожежу та/або серйозні травми.

UK

ВКАЗІВКИ З ТЕХНІКИ БЕЗПЕКИ

На цій сторінці зображено та описано символи, пов'язані з безпекою, які можуть відображатися на цьому виробі. Перш ніж намагатися зібрати та експлуатувати його, ознайомтеся з усіма інструкціями на машині та дотримуйтеся їх.

	Попередження щодо безпеки	Запобіжні заходи, що стосуються безпеки
	Прочитайте посібник користувача	З метою зменшення ризику отримання травм користувач повинен прочитати посібник з експлуатації.
	Використання в приміщенні	Цей пристрій можна використовувати лише в приміщенні
	Конструкція класу II	Конструкція з подвійною ізоляцією
T6, 3A 	Плавкі запобіжники	Мініатюрний плавкий запобіжник із затримкою спрацювання
	CE	Цей виріб відповідає чинним директивам ЄС.
	UKCA	Цей продукт відповідає чинному законодавству Великобританії.
	WEEE	Відходи електричних виробів не слід викидати разом із побутовим сміттям. Зверніться до авторизованого пункту переробки.
V	Вольти	Напруга
A	Амperi	Струм
Hz	Герц	Частота (число циклів за секунду)
W	Вати	Потужність
min	Хвилини	Час
	Змінний струм	Тип струму
	Постійний струм	Тип або характеристика струму

⚠ ПОПЕРЕДЖЕННЯ: Ознайомтеся з усіма інструкціями. Недотримання наведених нижче вказівок може спричинити ураження електричним струмом, пожежу та/або серйозні травми.

БЕЗПЕКА В РОБОЧІЙ ЗОНІ

- **Робоча зона має бути чистою й добре освітленою.** Неприбрана або погано освітлена робоча зона може стати причиною нещасного випадку.
- **Не працюйте із зарядним пристроєм EGO у вибухонебезпечному середовищі, наприклад за наявності легкозаймистих рідин, газів або пилу.** Під час роботи зарядного пристрою можуть утворюватися іскри, від яких можуть зайнятися пил або випари.

ЕЛЕКТРИЧНА БЕЗПЕКА

- **Штепсельні вилки електроінструмента мають підходити до розеток.** Заборонено модифікувати вилку будь-яким чином. Не використовуйте жодні штепсель-перехідники для роботи з заземленими електроінструментами. Штепсель та розетки, у які не вносилися зміни, зменшують ризик ураження електричним струмом.
- **Бережіть зарядний пристрій від дощу та вологи.** Вода, що потрапила в зарядний пристрій, підвищує ризик ураження електричним струмом.
- **Поводьтесь обережно зі шнуром живлення.** Ніколи не використовуйте шнур для перенесення, витягнення або вимкнення зарядного пристрою. Тримайте шнур подалі від джерел тепла, мастил, гострих країв або рухомих деталей. Пошкоджені чи заплутані шнури живлення становлять небезпеку ураження електричним струмом.
- **Уникайте контакту частин тіла із заземленими поверхнями, такими як труби, батареї, плити й холодильники.** У разі заземлення тіла зростає ризик ураження електричним струмом.
- **Під час роботи з електроінструментом надворі використовуйте подовжувач, призначений для зовнішніх робіт.** Використання шнура, призначеного для зовнішніх робіт, зменшує ризик ураження електричним струмом.
- Зарядний пристрій EGO може заряджати літій-іонні акумулятори EGO, перелічені нижче:

ЗАРЯДНИЙ ПРИСТРІЙ	АКУМУЛЯТОРНІ БАТАРЕЇ
CH5500E	BA1120E, BA1400, BA2240E, BA2240T, BA2242T, BA2800, BA3360, BA4200, BA1400T, BA2800T, BA4200T, BA5600T, BA6720T

СЕРВІС

- Обслуговування зарядного пристрою повинен виконувати кваліфікований ремонтник із використанням лише ідентичних запасних частин. Це забезпечить надійну роботу зарядного пристрою.
- Використовуйте для технічного обслуговування зарядного пристрою лише ідентичні запчастини. Дотримуйтесь інструкцій у розділі «Технічне обслуговування» цього посібника. Використання недозволених деталей або невиконання інструкцій із технічного обслуговування може спричинити ризик ураження струмом або травми.

ПРАВИЛА БЕЗПЕКИ ДЛЯ ЗАРЯДНОГО

ПРИСТРОЮ

⚠ ОБЕРЕЖНО: Щоб зменшити ризик ураження електричним струмом або пошкодження зарядного пристрою та акумулятора, заряджайте лише ці літій-іонні акумулятори, спеціально позначені на етикетці зарядного пристрою. Інші типи батарей можуть вибухнути, спричинити травми або збитки.

- Цей прилад не призначено для використання особами (зокрема дітьми) з обмеженими фізичними, сенсорними чи розумовими можливостями, або такими, що мають недостатньо досвіду або знань, окрім випадків, якщо вони використовують прилад під наглядом або були проінструктовані стосовно його використання особою, відповідальною за їхню безпеку.
- **Перш ніж користуватись зарядним пристроєм, ознайомтеся з усіма інструкціями та попереджувальними позначками в цьому посібнику, а також на зарядному пристрої, акумуляторі та виробі, у якому використовується акумулятор, щоб запобігти неналежному використанню виробів та можливим травмам або пошкодженням майна.**
- **Не використовуйте зарядний пристрій поза приміщенням і не надавайте умовам підвищеної вологості.** Вода, що потрапила в зарядний пристрій, підвищує ризик ураження електричним струмом.
- **Не торкайтеся зарядного пристрою, зокрема його вилки та клем, мокрими руками.**
- Використання приладдя, яке не рекомендує й не продає виробник зарядного пристрою, може призвести до пожежі, ураження електричним струмом або травми.
- Заряджайте лише за допомогою зарядного пристрою, указанного виробником. Зарядний пристрій, який підходить для акумуляторів одного виду, може викликати ризик пожежі у випадку його використання з іншим акумулятором.
- **Поводьтесь обережно зі шнуром живлення або зарядним пристроєм.** Ніколи не використовуйте шнур для перенесення зарядного пристрою. Не витягуйте шнур зарядного пристрою, щоб від'єднати штепсель від розетки. Можуть виникнути пошкодження шнура або зарядного пристрою та становити небезпеку ураження електричним струмом. Замініть пошкоджені шнури негайно.
- **Переконайтеся, що шнур розташовано таким чином, що ніхто на нього не наступить, не перечепиться, він не контактуватиме з гострими краями або рухомими частинами і не піддаватиметься іншим пошкодженням чи ударам.** Це зменшить ризик випадкового падіння, що може спричинити травми, пошкодження шнура та

ураження електричним струмом.

- Тримайте шнур і зарядний пристрій подалі від джерел тепла, щоб запобігти пошкодженню корпусу або внутрішніх деталей.
- Ніколи не допускайте контакту пластмасових частин із паливом, оліями, нафтопродуктами тощо. Ці матеріали містять хімікати, які можуть пошкодити, ослабити або знищити пластик.
- Не використовуйте зарядний пристрій із пошкодженим шнуром або штепселем, що може спричинити коротке замикання та ураження електричним струмом. У разі пошкодження зарядний пристрій слід відремонтувати або замінити в авторизованому сервісному центрі EGO.
- Не використовуйте зарядний пристрій, якщо він отримав різкий удар, упав або отримав будь-які інші пошкодження. Віднесіть його в авторизований сервісний центр для перевірки електросхеми, щоб визначити, чи зарядний пристрій перебуває в хорошому робочому стані.
- Не розбирайте зарядний пристрій. У разі виникнення потреби в обслуговуванні чи ремонті віднесіть його до вповноваженого сервісного центру. Неправильне збирання зарядного пристрою може призвести до ураження електричним струмом чи пожежі.
- Перш ніж здійснювати будь-яке технічне обслуговування або чищення, відключіть зарядний пристрій від електричної розетки, щоб зменшити ризик ураження електричним струмом.
- Відключайте зарядний пристрій від джерела живлення, коли він не використовується. Це зменшить ризик ураження електричним струмом або пошкодження зарядного пристрою внаслідок потрапляння металевих предметів в отвір. Це також допоможе запобігти пошкодженню зарядного пристрою під час стрибка напруги.
- Небезпека ураження електричним струмом. Не торкайтесь неізольованої частини вихідного роз'єму або неізольованої клеми акумулятора.
- Збережіть цю інструкцію. Часто переглядайте та використовуйте її, щоб навчати інших, хто може використовувати цей інструмент. Якщо ви надаєте комусь цей інструмент, надайте їм цю інструкцію, щоб запобігти неналежному використанню виробу та можливим травмам.

ВАЖЛИВІ ВКАЗІВКИ ЩОДО БЕЗПЕКИ

- Збережіть цю інструкцію. Цей посібник містить важливі інструкції з техніки безпеки та експлуатації для пристрою швидкого заряджання CH5500E 56 В.
- Перш ніж користуватися зарядним пристроєм, ознайомтеся з усіма інструкціями

та застереженнями щодо зарядного пристрою, акумулятора та виробу, у якому використовується акумулятор.

⚠ ПОПЕРЕДЖЕННЯ. Під час використання електроприладів завжди слід дотримуватися основних запобіжних заходів, зокрема:

- Щоб зменшити ризик травмування, необхідний пильний нагляд, якщо прилад використовується поруч із дітьми.
- Використовуйте лише аксесуари, які рекомендує або продає виробник.
- Не для використання поза приміщеннями.
- Для портативного приладу: щоб зменшити ризик ураження електричним струмом, не кладіть зарядний пристрій у воду чи іншу рідину. Не розміщуйте й не зберігайте прилад там, де він може власти або де його можуть потягнути у ванну або раковину.

⚠ ОБЕРЕЖНО: Щоб зменшити ризик травми, заряджайте лише літій-іонні акумулятори. Інші типи батарей можуть вибухнути, спричинити травми або збитки.

ТЕХНІЧНІ ХАРАКТЕРИСТИКИ

Вхід зарядного пристрою	220–240 В~ 50 Гц, 550 Вт
Вихід зарядного пристрою	5–8 А 56 В 
Час зарядження	Близько 25 хвилин для акумулятора BA1120E
	Близько 30 хвилин для акумулятора BA1400/BA2240E/BA1400T/BA2240T/BA2242T
	Близько 40 хвилин для акумулятора BA2800/BA2800T
	Близько 45 хвилин для акумулятора BA3360
	Близько 60 хвилин для акумулятора BA4200/BA4200T
	Близько 190 хвилин для акумулятора BAX1300
	Близько 70 хвилин для акумулятора BA5600T
	Близько 90 хвилин для акумулятора BA6720T

Оптимальна температура заряджання	5°C–40°C
Вага зарядного пристрою	1,9 кг

ОПИС

ОЗНАЙОМЛЕННЯ ІЗ ЗАРЯДНИМ ПРИСТРОЄМ (рис. А)

1. Кріпильний отвір
2. Охолоджувальний вентиляційний отвір
3. Світлодіодні індикатори
4. Електричні контакти
5. М'яка ручка
6. Отвір для настінного кріплення

ЕКСПЛУАТАЦІЯ

ЯК ЗАРЯДЖАТИ АКУМУЛЯТОРНУ БАТАРЕЮ

▲ ПОПЕРЕДЖЕННЯ: Не використовуйте зарядний пристрій поза приміщенням і не піддавайте умовам підвищеної вологості. Вода, що потрапила в зарядний пристрій, підвищує ризик ураження електричним струмом.

ПРИМІТКА: Літій-іонні акумулятори постачаються частково зарядженими. Перед першим використанням повністю зарядіть акумуляторну батарею.

1. Підключіть зарядний пристрій до джерела живлення (220–240 В~, 50 Гц). Чотири світлодіодні індикатори заряджання ненадовго загоряться зеленим кольором, указуючи, що зарядний пристрій працює належним чином.
2. Вирівняйте виступи на акумуляторі/адаптері з кріпильними отворами в зарядному пристрої; просуньте акумулятор/адаптер вниз на зарядний пристрій (рис. В).

ПРИМІТКА: Для заряджання акумуляторної батареї ВАХ1300 спочатку під'єднайте адаптер до акумулятора.

3. Зарядний пристрій обмінюватиметься даними з акумуляторною батареєю для оцінювання її стану.
4. Коли акумулятор заряджається, чотири індикатори заряджання на зарядному пристрої світяться зеленим послідовно, зліва направо, вказуючи на рівень заряду; див. рис. С. Індикатор живлення на акумуляторній батареї (ВА1400Т, ВА2240Т, ВА2242Т, ВА2800Т, ВА4200Т, ВА5600Т, ВА6720Т) світлитиметься послідовно: червоний, оранжевий та зелений, або РК-індикатор живлення на

акумуляторній батареї ВАХ1300 відобразитиме зарядну ємність числом. Останній сегмент індикатора з 5 світлодіодів на акумуляторній батареї блиматиме зеленим (Для ВА1400Т, ВА2240Т, ВА2800Т, ВА4200Т, ВА5600Т). Вентилятор у зарядному пристрої постійно працює для охолодження акумуляторної батареї.

5. Коли акумулятор повністю заряджено, світлодіодні індикатори заряджання припиняють світитися почергово та безперервно світяться зеленим. Індикатор живлення на акумуляторній батареї згасне. Зачекайте, доки вентилятор охолодження зупиниться, видаліть акумулятор/адаптер із зарядного пристрою та від'єднайте зарядний пристрій від джерела живлення.
6. Акумулятор повністю зарядиться, якщо залишити його на зарядному пристрої, але він не заряджатиметься надмірно. Якщо акумуляторна батарея (крім ВАХ1300) залишається на зарядному пристрої протягом одного місяця або більше, вона виконує самообслуговування та розряджається до 30% зарядної ємності. У такому разі повторно встановіть акумулятор на зарядний пристрій, щоб повністю зарядити його.

Рис. С див. опис деталей нижче:

С-1	Світлодіод 1	С-3	Світлодіод 3
С-2	Світлодіод 2	С-4	Світлодіод 4

ПРИМІТКА:

- Значно зменшений час роботи після повного заряджання акумуляторної батареї вказує на те, що акумулятори доходять до кінця терміну їхньої експлуатації і їх необхідно замінити.
- Зарядний пристрій може нагріватися під час заряджання. Це не виходить за рамки нормальної роботи зарядного пристрою. Заряджайте акумулятор у добре провітрюваному приміщенні.

ФУНКЦІЯ СВІТЛОДІОДНОГО ІНДИКАТОРА ЗАРЯДНОГО ПРИСТРОЮ

Для ВА1120Е, ВА1400, ВА2240Е, ВА2800, ВА3360, ВА4200

СВІТЛОДІОДНИЙ ІНДИКАТОР	АКУМУЛЯТОРНА БАТАРЕЯ	СВІТЛОДІОД НА ЗАРЯДНОМУ ПРИСТРОЇ				ІНДИКАТОР ЖИВЛЕННЯ НА АКУМУЛЯТОРНИЙ БАТАРЕЇ	ПОТУЖИШТЬ АКУМУЛЯТОРНОЇ БАТАРЕЇ	ДІЯ
		СВІТЛОДІОД 1	СВІТЛОДІОД 2	СВІТЛОДІОД 3	СВІТЛОДІОД 4			
	Несправність	Блимає червоним або вимкнено	Вимкнено	Вимкнено	Вимкнено	Вимкнено	—	Несправність акумуляторної батареї або зарядного пристрою.
	Холодна/ гаряча батарея	Світлиться червоним	Вимкнено	Вимкнено	Вимкнено	Вимкнено	—	Зарядження почнеться, коли температура батареї буде в межах 3°C–57°C
	Зарядження	Блимає зеленим	Вимкнено	Вимкнено	Вимкнено	Поперемінно блимає червоним, помаранчевим і зеленим	Менше 25%	Зарядження
		Світлиться зеленим по черзі	Вимкнено	Вимкнено	Вимкнено		25%–50%	Зарядження
		Світлиться зеленим по черзі	Вимкнено	Вимкнено	Вимкнено		50%–75%	Зарядження
		Світлиться зеленим по черзі	Вимкнено	Вимкнено	Вимкнено		75%–90%	Зарядження
	Повністю заряджен	Світлиться зеленим безперервно				Вимкнено	90%–100%	Зарядження завершено. Підтримання заряду.
—	Самообслуговування	Періодично швидко блимає зеленим				Вимкнено	Приблизно 30%	Акумуляторна батарея виконує самообслуговування або в режимі сну. Повторно встановить акумулятор на зарядний пристрій, щоб повністю зарядити його.

UK

Для ВА1400Т, ВА2240Т, ВА2242Т, ВА2800Т, ВА4200Т, ВА5600Т, ВА6720Т

СВІТЛОДИОДНИЙ ІНДИКАТОР	АКУМУЛЯТОРНА БАТАРЕЯ	СВІТЛОДИОД НА ЗАРЯДНОМУ ПРИСТРОЇ				ІНДИКАТОР ІЗ 5 СВІТЛОДИОДАМИ НА БАТАРЕЇ	ПОТУЖНІСТЬ АКУМУЛЯТОРНОЇ БАТАРЕЇ	ДІЯ
		СВІТЛОДИОД 1	СВІТЛОДИОД 2	СВІТЛОДИОД 3	СВІТЛОДИОД 4			
	Несправність	Блимає червоним або вимкнено	Вимкнено	Вимкнено	Вимкнено	Вимкнено	—	Несправність акумуляторної батареї або зарядного пристрою.
	Холодна/ гаряча батарея	Світлиться червоним	Вимкнено	Вимкнено	Вимкнено	Вимкнено	—	Заряджання почнеться, коли температура батареї буде в межах 3°C–57°C (Для ВА1400Т, ВА2242Т, ВА2800Т, ВА4200Т, ВА5600Т, ВА6720Т) 3°C–50°C (Для ВА2240Т).
	Заряджання	Блимає зеленим	Вимкнено	Вимкнено	Вимкнено	Останній сегмент блимає зеленим, решта світлиться зеленим безперервно	Менше 25%	Заряджання
		Світлиться зеленим по черзі		Вимкнено	Вимкнено		25%–50%	Заряджання
		Світлиться зеленим по черзі			Вимкнено		50%–75%	Заряджання
		Світлиться зеленим по черзі					75%–90%	Заряджання
	Повністю заряджен	Світлиться зеленим безперервно				Вимкнено	90%–100%	Заряджання завершено. Підтримання заряду.
—	Самообслуговування	Періодично швидко блимає зеленим				Вимкнено	Приблизно 30%	Акумуляторна батарея виконує самообслуговування або в режимі сну. Повторно встановіть акумулятор на зарядний пристрій, щоб повністю зарядити його.

ЗАРЯДЖЕННЯ ГАРЯЧОЇ АБО ХОЛОДНОЇ АКУМУЛЯТОРНОЇ БАТАРЕЇ

Якщо акумулятор за межами нормального діапазону температур, світлодіодний індикатор 1 світить червоним. Коли акумуляторна батарея охолоне до приблизно 57°C 42 °C для ВАХ1300 або нагріється до більше 3°C, 50°C for ВА2240Т), зарядний пристрій автоматично почне заряджатися, і 4 світлодіоди послідовно блиматимуть.

НЕСПРАВНИЙ АКУМУЛЯТОР АБО ЗАРЯДНИМ

Якщо зарядний пристрій виявляє проблему, світлодіодний індикатор 1 почне блимати червоним, або всі світлодіоди вимкнуться.

ДЛЯ ЗАРЯДЖАННЯ АКУМУЛЯТОРІВ ВА1120Е,

ВА1400, ВА2240Е, ВА2242Т, ВА2800, ВА3360, ВА4200, ВА1400Т, ВА2240Т, ВА2800Т, ВА4200Т, ВА5600Т, ВА6720Т

1. У разі індикації несправності видаліть і знову вставте акумулятор у зарядний пристрій. Якщо світлодіодні індикатори знову вказуватимуть на несправність, спробуйте зарядити інший акумулятор.
2. Якщо інший акумулятор заряджається належним чином, утилізуйте дефектний акумулятор (див. вказівки в інструкції акумулятора).
3. Якщо інший акумулятор також вказує на несправність, відключіть зарядний пристрій від джерела живлення й зачекайте, доки індикатор 1 не припинить блимати, а потім знову під'єднайте

UK

вилку до джерела живлення. Якщо світлодіодний індикатор 1 на зарядному пристрої все ще вказуватиме на несправність, зарядний пристрій, можливо, несправний.

ДЛЯ ЗАРЯДЖАННЯ АКУМУЛЯТОРА ВАХ1300

1. У разі індикації несправності видаліть і знову під'єднайте акумулятор і зарядний пристрій до адаптера. Якщо світлодіодні індикатори знову вказуватимуть на несправність, спробуйте замінити адаптер на новий або зарядити інший акумулятор.
2. Якщо інший адаптер або акумулятор заряджається належним чином, утилізуйте дефектний адаптер або акумулятор (див. вказівки в інструкції акумулятора).
3. Якщо після заміни акумулятора та адаптера індикатор вказує на несправність, відключіть зарядний пристрій від джерела живлення й зачекайте, доки індикатор 1 не припинить блимати, а потім знову під'єднайте вилку до джерела живлення. Якщо світлодіодний індикатор 1 на зарядному пристрої все ще вказуватиме на несправність, зарядний пристрій, можливо, несправний.

ОТВОРИ ДЛЯ НАСТІННОГО КРІПЛЕННЯ

Зарядний пристрій має отвори для вішання, завдяки яким його зручно зберігати (рис. А-6). Установіть гвинти в стіну на відстані 76 мм один від одного. Використовуйте гвинти, достатньо міцні для утримання маси зарядного пристрою та акумуляторної батареї (приблизно до 4,1 кг).

ТЕХНІЧНЕ ОБСЛУГОВУВАННЯ

⚠ ПОПЕРЕДЖЕННЯ. Щоб уникнути серйозних травм, завжди виймайте акумуляторну батарею з інструмента, перш ніж чистити або виконувати будь-яке технічне обслуговування.

⚠ ПОПЕРЕДЖЕННЯ. Використовуйте для технічного обслуговування лише ідентичні запчастини EGO. Використання будь-яких інших частин створює небезпеку або може призвести до поломки виробу.

⚠ ПОПЕРЕДЖЕННЯ. Не рекомендується використовувати стиснуте сухе повітря для очищення зарядного пристрою. Якщо єдиним способом застосування є очищення стисненим повітрям, завжди використовуйте закриті захисні окуляри або відкриті захисні окуляри з бічними щитками під час чищення інструмента. Коли здійснюється пил, надягайте також протипилову маску.

⚠ ПОПЕРЕДЖЕННЯ. Якщо шнур живлення пошкоджений, то, щоб запобігти ураженню електричним струмом, його повинен замінити виробник, його технічний представник або спеціаліст аналогічної кваліфікації.

ЗАГАЛЬНИЙ ТЕХНІЧНИЙ ДОГЛЯД

Не застосовуйте розчинники, коли чистите пластмасові деталі. Більшість пластмас чутливі до різноманітних промислових розчинників і можуть бути ними пошкоджені. Для видалення бруду, пилу, мастила тощо користуйтеся чистою ганчіркою.

⚠ ПОПЕРЕДЖЕННЯ. Ніколи не допускайте контакту пластмасових частин із гальмівною рідиною, газопіном, нафтопродуктами, проникаючими оліями і т. ін. Хімікалії можуть пошкодити, ослабити або зруйнувати пластмасу, а це загрожує серйозними травмами.

⚠ ПОПЕРЕДЖЕННЯ. Використовуйте для технічного обслуговування лише ідентичні запчастини EGO. Використання будь-яких інших частин створює небезпеку або може призвести до поломки виробу. Для гарантування безпеки та надійності всі ремонтні роботи повинен проводити кваліфікований технічний спеціаліст у сервісному центрі EGO.

Захист довкілля



Не викидайте електричне обладнання, зарядний пристрій та батареї/акумулятори в побутові відходи!

Відповідно до європейського закону 2012/19/ЄС електричне та електронне обладнання, яке більше не придатне для використання, і згідно з європейським законом 2006/66/ЄС дефектні або використані акумуляторні батареї мають збиратись окремо.

Якщо електричний пристрій утилізується на сміттєзвалищі, небезпечні речовини можуть витекти в ґрунтові води та потрапити в харчовий ланцюг, що може зашкодити вашому здоров'ю та самопочуттю.

УСУНЕННЯ НЕСПРАВНОСТЕЙ

ПРОБЛЕМА	ПРИЧИНА	ВИРІШЕННЯ
Зарядний пристрій не працює. Світлодіодний індикатор 1 блимає червоним, або всі світлодіоди гаснуть.	Акумуляторна батарея, адаптер або зарядний пристрій несправні, або пошкоджено з'єднання між акумуляторною батареєю, адаптером і зарядним пристроєм.	<ul style="list-style-type: none"> ■ Спробуйте видалити і знову вставити акумулятор/ адаптер у зарядний пристрій. ■ Спробуйте видалити та під'єднати адаптер до акумуляторної батареї (для VAX1300). ■ Спробуйте замінити адаптер. ■ Спробуйте зарядити іншу акумуляторну батарею. ■ Відключіть зарядний пристрій від джерела живлення й зачекайте, доки червоний індикатор не згасне, а потім знову під'єднайте вилку до джерела живлення.
Зарядний пристрій не працює, а світлодіодний індикатор 1 світить червоним.	Акумулятор занадто гарячий або холодний.	Дайте акумуляторній батареї досягти нормальної температури. Заряджання почнеться, коли температура батареї буде в межах 3°C–57°C (42°C для VAX1300, 3°C -50°C for BA2240T).

ГАРАНТІЯ

ПРАВИЛА ГАРАНТІЇ EGO

Будь ласка, відвідайте веб-сайт egopowerplus.com для отримання повних умов гарантійної політики EGO.

ПРОЧЕТЕТЕ ВСИЧКИ ИНСТРУКЦИИ)



ПРОЧЕТЕТЕ РЪКОВОДСТВОТО НА ОПЕРАТОРА

⚠️ Остатъчен риск! Хора с електронни устройства, като пейсмейкър трябва да се консултират с лекуващия(те) си лекар(и) преди употреба на този продукт. Работата с електрическо оборудване в непосредствена близост до сърдечен пейсмейкър може да предизвика смущение или неизправност на пейсмейкъра.

⚠️ ПРЕДУПРЕЖДЕНИЕ: За да осигурите безопасността и надеждността, всички поправки трябва да се извършват от квалифициран сервизен техник.

⚠️ ПРЕДУПРЕЖДЕНИЕ: Този уред може да се използва от деца на възраст от 8 години и повече, и лица с понижени физически, сетивни или умствени способности или без опит и познание, ако са им осигурени наблюдение или инструктаж относно безопасната употреба на уреда и са осъзнати съответстващите опасности. Децата не трябва да си играят с уреда. Почистването и потребителската поддръжка не трябва да се извършва от деца без наблюдение.

СИМВОЛИ ЗА БЕЗОПАСНОСТ

Целта на символите за безопасност е да превличат вниманието към възможни опасности. Символите за безопасност и обясненията към тях заслужават вашето повишено внимание и осъзнаване. Символите за безопасност сами по себе си не елиминират каквато и да е опасност. Инструкциите и предупрежденията, които предоставят не са заместители за подходящите мерки за предотвратяване на инцидент.

⚠️ ПРЕДУПРЕЖДЕНИЕ: Уверете се, че сте прочели и осъзнали всички инструкции за безопасност в това Ръководство на оператора, включително всички известяващи символи за безопасност, като **“ОПАСНОСТ,”** **“ПРЕДУПРЕЖДЕНИЕ,”** и **“ВНИМАНИЕ”** преди да използвате този инструмент. Неспазването на всички инструкции изброени долу може да доведе до електрически шок, пожар и/или сериозно нараняване.

BG ИНСТРУКЦИИ ЗА БЕЗОПАСНОСТ

Тази страница изобразява и описва символите за безопасност, които може да се появят по този продукт. Прочетете, осъзнайте и следвайте всички инструкции по машината преди предприемане на сплөбяване или работа.

	Сигнал за безопасност	Предпазни мерки, които засягат Вашата безопасност
	Прочетете ръководството на оператора	За намаляване на опасността от нараняване, потребителят трябва да прочете ръководството на оператора.
	Употреба на закрито.	Използвайте това устройство само на закрито
	Конструкция клас II	Двойно изолирана конструкция
T6,3A 	Стопаями вложки на предпазител	Бавнодействащ миниатюрен стопяем предпазител
	CE	Този продукт е в съответствие с приложимите директиви на ЕС.
	UKCA	Този продукт е в съответствие с приложимото законодателство на Великобритания.
	WEEE	Отпадъчните електрически продукти не трябва да бъдат изхвърляни заедно с домакинския отпадък. Отнесете го до упълномощено място за рециклиране.
V	Волта	Напрежение
A	Ампера	Ток
Hz	Херца	Честота (цикъла за минута)
W	Вата	Мощност
min	Минути	Време
	Променлив ток	Вид ток
	Постоянен ток	Вид или характеристика на тока

⚠️ ПРЕДУПРЕЖДЕНИЕ: Прочетете и осъзнайте всички инструкции. Неспазването на всички инструкции изброени долу може да доведе до електрически шок, пожар и/или сериозно нараняване.

БЕЗОПАСНОСТ В РАБОТНАТА ЗОНА

- **Поддържайте работната зона чиста и добре осветена.** Разхвърляни или тъмни работни зони пораждат инциденти.
- **Не работете със зарядното устройство EGO в експлозивна среда, като например в присъствието на запалими течности, газ или прах.** Зарядното устройство може да създаде искра, която може да възпламени праха или изпаренията.

ЕЛЕКТРИЧЕСКА БЕЗОПАСНОСТ

- **Щепселите на електроинструмента трябва да съответстват на контакта.** Никога не модифицирайте щепсела по какъвто и да е начин. Не използвайте какъвто и да е адаптер със заземени електроинструменти. Немодифицираните щепсели и съответстващите контакти ще намалят риска от електрически шок.
- **Не излагайте зарядното устройство на дъжд или влажни условия.** Навлизането на вода в зарядното устройство ще увеличи риска от електрически шок.
- **Не злоупотребявайте с кабела.** Никога не използвайте кабела за пренасяне, изтегляне или изключване от контакта на зарядното устройство. Дръжте кабела настрана от топлина, масло, остри ръбове или движещи се части. Повредени или оплетени кабели увеличават риска от електрически шок.
- **Избягвайте контакт на тялото със заземени повърхности, като тръби, радиатори, кухненски печки и хладилници.** Съществува опасност от електрически шок, ако тялото Ви е заземено.
- **Когато работите с електроинструмент на открито, използвайте удължителен кабел подходящ за употреба на открито.** Употребата на кабел подходящ за употреба на открито намалява риска от електрически шок.
- Зарядното устройство EGO може да зарежда литиево-йонните акумулаторни батерии EGO изброени долу:

ЗАРЯДНО УСТРОЙСТВО	АКУМУЛАТОРНИ БАТЕРИИ
CH5500E	BA1120E, BA1400, BA2240E, BA2240T, BA2242T, BA2800, BA3360, BA4200, BA1400T, BA2800T, BA4200T, BA5600T, BA6720T

ОБСЛУЖВАНЕ

- **Обслужвайте вашето зарядно устройство чрез квалифициран техник, като използвате само идентични резервни части.** Това ще осигури поддържането на безопасност за вашето зарядно устройство.
- **Когато обслужвате зарядно устройство, използвайте само идентични резервни части. Следвайте инструкциите в раздел Поддръжка на това ръководство.** Употребата на неоторизирани части или неспазването на инструкциите за поддръжка може да създадат риск от шок или нараняване.

ПРАВИЛА ЗА БЕЗОПАСНОСТ ЗА ЗАРЯДНО УСТРОЙСТВО

⚠ ВНИМАНИЕ: За да намалите риска от

електрически шок или повреда на зарядното устройство или акумулаторната батерия, зареждайте само тези литиево-йонни презареждащи се акумулаторни батерии специфично обозначени на етикета на вашето зарядно устройство. Други видове акумулаторни батерии може да избухнат, като предизвикат нараняване или повреда.

- Този уред не е предназначен за употреба от лица (включително деца) с понижени физически, сетивни или умствени способности, или без опит и познания, освен ако не им е осигурено наблюдение или инструктаж относно употребата на уреда от лице отговорно за тяхната безопасност.
- **Преди употреба на зарядното устройство за акумулаторни батерии,** прочетете всички инструкции и маркировки за внимание в това ръководство и върху зарядното устройство за акумулаторни батерии, акумулаторната батерия и продукта, който използва акумулаторната батерия, за да се предотврати злоупотреба с продуктите и възможно нараняване или повреда.
- **Не използвайте зарядното устройство на открито или не го излагайте на мокри или влажни условия.** Навлизането на вода в зарядното устройство ще увеличи риска от електрически шок.
- **Не работете със зарядното устройство, включително с щепсела на зарядното устройство и клемите на зарядното устройство с влажни ръце.**
- **Употребата на приставка, която не е препоръчана или продадена от производителя на зарядното устройство за акумулаторни батерии може да доведе до създаване на опасност от пожар, електрически шок или нараняване на лицето.**
- **Презареждайте само с зарядно устройство определено от производителя.** Зарядно устройство, което е подходящо за един тип акумулаторни батерии може да създаде риск от пожар, когато се използва с други акумулаторни батерии.
- **Не злоупотребявайте с кабела или зарядното устройство.** Никога не използвайте кабела за пренасяне на зарядното устройство. Не теглете кабела на зарядното устройство, за са изключите щепсела от щепселната кутия. Повреда на кабела или зарядното устройство може да възникне и да създаде опасност от електрически шок. Незабавно подменете повредения кабел.
- **Уверете се, че кабелът е разположен така, че няма да бъде настъпван, прегазван, няма да влиза в контакт с остри ръбове или движещи се части или по друг начин да бъде подложен на повреда**

BG

или стрес. Това ще намали риска от инцидентни неизправности, които могат да предизвикат нараняване и повреда на кабела, което в такъв случай може да доведе до електрически шок.

- **Пазете кабела и зарядното устройство от топлина, за да се предотврати повреда по корпуса или вътрешните части.**
- **Не позволявайте бензин, масло, петролни продукти и т.н. да влизат в контакт с пластмасовите части.** Тези материали съдържат химикали, които могат да повредят, отслабят или разрушат пластмасата.
- **Не работете със зарядното устройство при повреден кабел или щепсел, което може да предизвика късо съединение и електрически шок.** При повреда поправете или подменете зарядното устройство с помощта на упълномощен сервизен техник в сервизния център EGO.
- **Не работете със зарядното устройство, ако е претърпяло силен удар, изпускано е или по друг начин е повредено.** Отведете го при упълномощен сервизен техник за проверяване на електричеството, за да се определи дали зарядното устройство е в добро работещо състояние.
- **Не разглобявайте зарядното устройство.** Отведете го при упълномощен сервизен техник, когато е необходима поправка или обслужване. Неправилното повторно сглобяване може да доведе до създаване на опасност от електрически шок или пожар.
- **Изключвайте от контакта зарядното устройство преди предприемане на каквато и да е поддръжка или почистване, за да се намали опасността от електрически шок.**
- **Изключвайте зарядното устройство от електрозахранването, когато не се използва.** Това ще намали опасността от електрически шок или повреда по зарядното устройство в случай, че метални предмети попаднат в отвора. Това също така ще помогне да се предотврати повреда на зарядното устройство при пренапрежение.
- **Опасност от електрически шок.** Не докосвайте неизолираната част на изходящия конектор или неизолираните клеми на акумулаторната батерия.
- **Запазете тези инструкции.** Обръщайте се често към тях и ги използвайте за инструктиране на други, които може да използват този инструмент. Ако заемете този инструмент на някой друг, заемете им също и тези инструкции, за да се предотврати злоупотреба с продукта и вероятно нараняване.

ВАЖНИ ИНСТРУКЦИИ ЗА БЕЗОПАСНОСТ

- **Запазете тези инструкции.** Това ръководство съдържа важна информация за безопасността и инструкции за работа за Бързо зарядно устройство CH5500E 56V.
- **Преди употреба на зарядното устройство за акумулаторни батерии прочетете всички инструкции и маркировките за внимание по зарядното**

устройство за акумулаторни батерии, акумулаторната батерия и продукта, който използва батерията.

⚠ ПРЕДУПРЕЖДЕНИЕ: Когато използвате електрически уреди, трябва винаги да се следват основните предпазни мерки, включително следните.

- За да намалите опасността от нараняване, необходимо е стриктно наблюдение, когато уредът се използва близо до деца.
- Използвайте само приставки препоръчани или продадени от производителя.
- Не използвайте на открито.
- За преносим уред - За да намалите риска от електрически шок, не поставяйте зарядното устройство във вода или други течности. Не поставяйте или съхранявайте уреда там, където може да падне или да бъде изтеглен в тръба или мивка.

⚠ ВНИМАНИЕ: За да намалите риска от нараняване, зареждайте само литиево-йонни презареждащи се акумулаторни батерии. Други видове акумулаторни батерии може да избухнат, като предизвикат нараняване или повреда.

СПЕЦИФИКАЦИИ

Входящ ток на зарядното устройство	220-240V~50Hz, 550W
Изходящ ток на зарядното устройство	5-8A 56V 
Време на зареждане	<p>Приблизително 25 минути за акумулаторни батерии BA1120E</p> <p>Приблизително 30 минути за акумулаторни батерии BA1400/BA2240E/BA1400T/BA2240T/BA2242T</p> <p>Приблизително 40 минути за акумулаторни батерии BA2800/BA2800T</p> <p>Приблизително 45 минути за акумулаторни батерии BA3360</p> <p>Приблизително 60 минути за акумулаторни батерии BA4200/BA4200T</p> <p>Приблизително 190 минути за акумулаторни батерии BAX1300</p> <p>Приблизително 70 минути за акумулаторни батерии BA5600T</p> <p>Приблизително 90 минути за акумулаторни батерии BA6720T</p>

Оптимална температура на зареждане	5°C-40°C
Тегло на зарядното устройство	1,9 кг

ОПИСАНИЕ

ОПОЗНАЙТЕ ВАШЕТО ЗАРЯДНО УСТРОЙСТВО (Фиг. А)

1. Монтажен отвор
2. Отвор за въздух за охлаждане
3. Светодиодни индикатори
4. Електрически контакти
5. Мека ръкохватка
6. Монтажен отвор за стена

РАБОТА

КАК СЕ ЗАРЕЖДА АКУМУЛАТОРНА БАТЕРИЯ

▲ ПРЕДУПРЕЖДЕНИЕ: Не използвайте зарядното устройство на открито или не го излагайте на мокри или влажни условия. Навлизането на вода в зарядното устройство ще увеличи риска от електрически шок.

ЗАБЕЛЕЖЕТЕ: Литиево-йонни акумулаторни батерии се доставят частично заредени. Преди употреба за първи път, напълно заредете акумулаторната батерия.

1. Свържете зарядното устройство към електрозахранването (220-240V~, 50Hz). Четирите светодиода за показване на зареждането за кратко ще светят зелено, което показва, че зарядното устройство работи правилно.
2. Подравнете повдигнатите ребра на акумулаторната батерия/адаптера с монтажните отвори на зарядното устройство, приплъзнете акумулаторната батерия/адаптера надолу в зарядното устройство (Фиг. В).

ЗАБЕЛЕЖЕТЕ: Ако зареждате акумулаторна батерия BAX1300, първо свържете адаптера към акумулаторната батерия.

3. Зарядното устройство ще комуникира с акумулаторната батерия за да оцени състоянието на акумулаторната батерия.

4. Когато акумулаторната батерия се зарежда, четирите светодиода, които показват зареждането ще светят зелено в последователност от ляво надясно, за да покажат нивото на зареждане; моля вижте Фиг. С. Електрическият индикатор на акумулаторната батерия (BA1120E, BA1400, BA2240E, BA2800, BA3360, BA4200) ще свети в последователност: червено, оранжево и зелено или електрическият LCD индикатор на акумулаторната батерия BAX1300 ще показва цифрово капацитета на зареждане. Последният сегмент на индикатора с 5 светодиода на акумулаторната батерия ще мига в зелено(За BA1400T, BA2240T, BA2242T, BA2800T, BA4200T, BA5600T, BA6720T). Вентилаторът в зарядното устройство работи непрекъснато за охлаждане на акумулаторната батерия.

5. Когато акумулаторната батерия е напълно заредена, светодиодите, които показват зареждането спират да се променят и светят непрекъснато зелено. Електрическият индикатор на акумулаторната батерия ще угасне. Изчакайте до спиране на охлаждащия вентилатор, снемете акумулаторната батерия/адаптера от зарядното устройство и изключете зарядното устройство от електрозахранването.

6. Акумулаторната батерия ще се зареди напълно, ако се остави на зарядното устройство, но няма да се презареди. Ако акумулаторната батерия (с изключение на BAX1300) остане на зарядното устройство за един месец или повече, ще извърши самоподдържане и ще спадне до капацитет на зареждане от 30%. Ако това възникне, поставете повторно акумулаторната батерия на зарядното устройство, за да я заредите напълно.

Фиг. С описание на части виж долу:

C-1	Светодиод 1	C-3	Светодиод 3
C-2	Светодиод 2	C-4	Светодиод 4

ЗАБЕЛЕЖЕТЕ:

- Значително намалено време на работа след пълно зареждане на акумулаторната батерия показва, че батериите са близо до края на експлоатационния си живот и трябва да се подменят.
- Зарядното устройство може да се затопля по време на зареждане. Това е част от нормалната работа на зарядното устройство. Зареждайте в добре проветрено място.

СВЕТОДИОДНИ ФУНКЦИИ НА ЗАРЯДНОТО УСТРОЙСТВО

За BA1120E, BA1400, BA2240E, BA2800, BA3360, BA4200

СВЕТОДИОДЕН ИНДИКАТОР	АКУМУЛАТОРНА БАТЕРИЯ	СВЕТОДИОД НА ЗАРЯДНОТО УСТРОЙСТВО				ЕЛЕКТРИЧЕСКИ ИНДИКАТОР НА АКУМУЛАТОРНАТА БАТЕРИЯ	МОЩНОСТ НА АКУМУЛАТОРНАТА БАТЕРИЯ	ДЕЙСТВИЕ
		СВЕТОДИОД 1	СВЕТОДИОД 2	СВЕТОДИОД 3	СВЕТОДИОД 4			
	Дефектирала	Пресветва червено или се изключва	Изкл.	Изкл.	Изкл.	Изкл.	—	Акумулаторната батерия или зарядното устройство са дефектни.
	Студена/гореща батерия	Свети червено	Изкл.	Изкл.	Изкл.	Изкл.	—	Зареждането ще започне, когато акумулаторната батерия се върне до 3°C–57°C
	Зареждане	Мига в зелено	Изкл.	Изкл.	Изкл.	Мига в червено, оранжево и зелено последователно	По-малко от 25%	Зареждане
		Последователно свети зелено	Изкл.	Изкл.	25% до 50%		Зареждане	
		Последователно свети зелено	Изкл.	50% до 75%	Зареждане			
		Последователно свети зелено	75% до 90%	Зареждане				
	Полностью заряжен	Непрекъснато свети зелено				Изкл.	90% до 100%	Зареждането е завършено. Поддържане на зареждане.
—	Самообслуживание	Периодично бързо мигане в зелено				Изкл.	Прибл. 30%	Акумулаторната батерия извършва самоподдържане или е в спящ режим. Поставете повторно акумулаторната батерия на зарядното устройство, за да я заредите напълно.

3a BA1400T, BA2240T, BA2242T, BA2800T, BA4200T, BA5600T, BA6720T

СВЕТОДИОДЕН ИНДИКАТОР	АКУМУЛАТОРНА БАТЕРИЯ	СВЕТОДИОД НА ЗАРЯДНОТО УСТРОЙСТВО				ИНДИКАТОР С 5 СВЕТОДИОДА НА АКУМУЛАТОРНА БАТЕРИЯ	МОЩНОСТ НА АКУМУЛАТОРНАТА БАТЕРИЯ	ДЕЙСТВИЕ
		СВЕТОДИОД 1	СВЕТОДИОД 2	СВЕТОДИОД 3	СВЕТОДИОД 4			
	Дефектирала	Пресветва червено или се изключва	Изкл.	Изкл.	Изкл.	Изкл.	—	Акумулаторната батерия или зарядното устройство са дефектни.
	Студена/гореща батерия	Свети червено	Изкл.	Изкл.	Изкл.	Изкл.	—	Зареждането ще започне, когато акумулаторната батерия се върне до 3°C–57°C (за BA1400T, BA2242T, BA2800T, BA4200T, BA5600T, BA6720T)/3°C–50°C (за BA2240T).
	Зареждане	Мига в зелено	Изкл.	Изкл.	Изкл.	Последният сегмент мига в зелено, останалите светят постоянно в зелено	По-малко от 25%	Зареждане
		Последователно свети зелено	Изкл.	Изкл.	25% до 50%		Зареждане	
		Последователно свети зелено	Изкл.	25% до 75%	Зареждане			
		Последователно свети зелено	75% до 90%	Зареждане				
	Полностью заряден	Непрекъснато свети зелено				Изкл.	90% до 100%	Зареждането е завършено. Поддържане на зареждане.
—	Самообслуживание	Периодично бързо мигане в зелено				Изкл.	Прибл. 30%	Акумулаторната батерия извършва самоподдържане или е в спящ режим. Поставете повторно акумулаторната батерия на зарядното устройство, за да я заредите напълно.

ЗАРЕЖДАНЕ НА ГОРЕЩА ИЛИ СТУДЕНА АКУМУЛАТОРНА БАТЕРИЯ

Ако акумулаторната батерия е извън нормалния обхват на температурата, светодиод 1 ще свети червено. Когато акумулаторната батерия се охлади приблизително до 57°C 42°C за BAX1300 или се затопли до повече от 3°C, зарядното устройство автоматично ще започне , 50°C for BA2240T) зареждане и 4-те светодиода ще работят в нормална последователност.

ДЕФЕКТНА АКУМУЛАТОРНА БАТЕРИЯ ИЛИ ЗАРЯДНОТО УСТРОЙСТВО

Ако зарядното устройство отчете проблем, светодиод

1 ще започне да мига в червено или светодиоди ще се изключат.

ЗА ЗАРЕЖДАНЕ НА BA1120E, BA1400, BA2240E, BA2242T, BA2800, BA3360, BA4200, BA1400T, BA2240T, BA2800T, BA4200T, BA5600T, BA6720T

- Ако се отчете като дефектна, премахнете и въведете повторно акумулаторната батерия в зарядното устройство. Ако светодиодите все още отчитат „дефект“ за втори път, опитайте зареждане на различна акумулаторна батерия.
- Ако различната акумулаторна батерия се зарежда нормално, изхвърлете дефектната акумулаторна

BG

батерия (виж инструкциите в ръководството за акумулаторна батерия).

3. Ако различната акумулаторна батерия също показва „дефект“, изключете от контакта зарядното устройство и изчакайте до спиране на мигането на светодиод 1, след това включете повторно щепсела към електрозахранването. Ако светодиод 1 все още показва дефект, зарядът може да е дефектен.

ЗА ЗАРЕЖДАНЕ НА ВАХ1300

1. Ако се отчете като дефектна, премахнете и свържете повторно акумулаторната батерия и зарядното устройство с адаптера. Ако светодиодите все още отчитат „дефект“ за втори път, опитайте подмяна с нов адаптер или зареждане на различна акумулаторна батерия.
2. Ако различните адаптер или акумулаторна батерия се зареждат нормално, изхвърлете дефектния адаптер или акумулаторна батерия (виж инструкциите в ръководството за акумулаторна батерия).
3. Ако подмяната на акумулаторната батерия и адаптера заедно също показват „дефект“, изключете от контакта зарядното устройство и изчакайте до спиране на мигането на светодиод 1, след това включете повторно щепсела към електрозахранването. Ако светодиод 1 все още показва дефект, зарядът може да е дефектен.

МОНТАЖНИ ОТВОРИ ЗА СЕНА

Зарядното устройство притежава отвори за закачане за удобно съхранение (Фиг. 4-6). Поставете винтовете в стената на разстояние 76 мм един от друг. Използвайте винтове достатъчно здрави, за да издържат на комбинираното тегло на зарядното устройство и акумулаторната батерия (приблизително максимално 4,1 кг).

ПОДДРЪЖКА

⚠ ПРЕДУПРЕЖДЕНИЕ: За да избегнете нараняване, винаги сменяйте акумулаторната батерия от инструмента, когато почиствате или извършвате поддръжка.

⚠ ПРЕДУПРЕЖДЕНИЕ: Когато обслужвате, използвайте само идентични резервни части. Употребата на каквито и да е други части може да създаде опасност или да предизвика повреда на продукта.

⚠ ПРЕДУПРЕЖДЕНИЕ: Не е препоръчително да се използва състен сух въздух като метод за почистване

на зарядното устройство. Ако почистването със състен въздух е единственият метод за прилагане, винаги носете предпазни очила със странични екрани, когато почиствате инструмента. Ако работата е прашна, също така носете прахозащитна маска.

⚠ ПРЕДУПРЕЖДЕНИЕ: Ако захранващият кабел е повреден, той трябва да се подмени от производителя, неговия сервизен агент или лица с подобна квалификация, за да се избегне опасност.

ОБЩА ПОДДРЪЖКА

Избягвайте употребата на разтворители, когато почиствате пластмасовите части. Повечето пластмасови части са уязвими на повреда от различни видове разтворители в търговската мрежа и може да се повредят от тяхната употреба. Използвайте чист плат, за премахване на мръсотия, прах, масло и т.н.

⚠ ПРЕДУПРЕЖДЕНИЕ: Никога не позволявайте спирачна течност, бензин, петролни продукти, проникващи масла и т.н. да влизат в контакт с пластмасовите части. Химикалите могат да повредят, отслабят или разрушат пластмасата, което може да доведе сериозно нараняване.

⚠ ПРЕДУПРЕЖДЕНИЕ: Когато обслужвате, използвайте само идентични резервни части. Употребата на каквито и да е други части може да създаде опасност или да предизвика повреда на продукта. За да осигурите безопасността и надеждността, всички поправки трябва да се извършват от квалифициран сервизен техник в сервизния център EGO.

Опазване на околната среда



Не изхвърляйте електрическо оборудване, зарядно устройство за акумулаторни батерии и батерии/ акумулаторни батерии в домакинския отпадък.

Съгласно европейския закон 2012/19/ ЕС, електрическо и електронно оборудване, което повече не може да се използва и съгласно европейското законодателство 2006/66/ ЕО, дефектните или използваните акумулаторни батерии/батерии трябва да се събират отделно.

Ако се изхвърлят електрически уреди в сметища или бунища, опасни вещества могат да изтекат в подпочвените води и да попаднат в хранителната верига, като увредят вашето здраве и благосъстояние.

ОТСТРАНЯВАНЕ НА ПРОБЛЕМИ

ПРОБЛЕМ	ПРИЧИНА	РЕШЕНИЕ
Зарядното устройство не работи. Светодиод 1 мига в червено или всички светодиоди са изключени.	Акумулаторната батерия, адаптера или зарядното устройство са дефектни или връзката е лоша между акумулаторната батерия, адаптера и зарядното устройство.	<ul style="list-style-type: none"> ■ Опитайте да снемете и да въведете повторно акумулаторната батерия/ адаптера в зарядното устройство. ■ Опитайте да премахнете и свържете адаптера към акумулаторната батерия (за BAX1300). ■ Опитайте да подмените адаптера. ■ Опитайте зареждане на различна акумулаторна батерия. ■ Изключете от контакта зарядното устройство и изчакайте до изгасване на червения светодиод, след това включете повторно щепсела към електрозахранването.
Зарядното устройство не работи и светодиод 1 свети червено.	Акумулаторната батерия е твърде гореща или твърде студена.	Позволете на акумулаторната батерия да достигне нормална температура. Зареждането ще започне, когато акумулаторната батерия се върне до 3°C-57°C (42°C за BAX1300, 3°C -50°C for BA2240T).

ГАРАНЦИЯ

ГАРАНЦИОННА ПОЛИТИКА EGO

Моля посетете уебсайта egopowerplus.com за пълните условия по гаранционната политика на EGO.

PROČITAJTE UPUTE U CIJELOSTI!



PROČITAJTE KORISNIČKI PRIRUČNIK

⚠️ Preostale opasnosti! Osobe s elektroničkim uređajima poput srčanih elektrostimulatora prije korištenja ovog proizvoda trebaju se posavjetovati sa svojim liječnikom. Rad električne opreme u neposrednoj blizini srčanih elektrostimulatora može prouzročiti smetnju ili kvar srčanog elektrostimulatora.

⚠️ UPOZORENJE! Radi osiguranja sigurnosti i pouzdanosti sve popravke treba obavljati kvalificirani servisni tehničar.

⚠️ UPOZORENJE: Ovaj uređaj mogu koristiti djeca starosne dobi od 8 godina i starija te osobe ograničenih fizičkih, osjetilnih ili mentalnih sposobnosti ili nedostatnog iskustva i znanja ako su pod nadzorom ili ako su upućeni u siguran način korištenja uređaja te ako su razumjeli opasnosti u svezi s tim. Djeca se ne smiju igrati uređajem. Čišćenje i održavanje koje obavlja korisnik ne smiju obavljati djeca bez nadzora.

SIGURNOSNI SIMBOLI

Svrha sigurnosnih simbola je skretanje pozornosti na moguće opasnosti. Sigurnosni simboli i njihova objašnjenja zahtijevaju vašu potpunu pozornost i razumijevanje. Sami simboli upozorenja ne isključuju opasnost. Upute i upozorenja koja pružaju nisu zamjena za propisne mjere za prevenciju nesreća.

⚠️ UPOZORENJE! Prije korištenja ovog alata pobrinite se da sve upute u ovom korisničkom priručniku, uključujući sve sigurnosne simbole kao što su “**OPASNOST**”, “**UPOZORENJE**” i “**OPREZ**” pročitate s razumijevanjem. Zanemarivanje svih uputa navedenih u nastavku može rezultirati strujnim udarom, požarom i/ili teškim tjelesnim ozljedama.

SIGURNOSNE NAPOMENE

Na ovoj stranici slikovno su prikazani i objašnjeni sigurnosni simboli koji se mogu pojaviti na ovom proizvodu. Prije pokušaja sastavljanja i rukovanja s razumijevanjem pročitajte sve upute na stroju i pridržavajte ih se.

	Simbol upozorenja	Mjere opreza koje se odnose na vašu sigurnost
	Pročitajte korisnički priručnik.	Radi smanjenja opasnosti od ozljeda korisnik treba pročitati korisnički priručnik.

	Uporaba u zatvorenom prostoru.	Ovaj uređaj koristite samo u zatvorenim prostorima.
	Izvedba razreda II	Izvedba s dvostrukom izolacijom
T6,3A 	Osigurači	Minijaturni osigurač s vremenskom odgodom
	CE	Ovaj proizvod je u skladu s primjenjivim Direktivama EU.
	UKCA	ovaj proizvod sukladan je važećim zakonima u UK.
	WEEE	Otpadni električni proizvodi ne smiju se odlagati s otpadom iz kućanstva. Odnosite ih u ovlaštenu centar za reciklažu.
V	Volt	Napon
A	Amperi	Struja
Hz	Herc	Frekvencija (ciklusi u sekundi)
W	Vat	Snaga
min	Minuta	Vrijeme
	Izmjenična struja	Vrsta struje
	Istosmjerna struja	Vrsta ili karakteristike struje

⚠️ UPOZORENJE: S razumijevanjem pročitajte sve upute. Zanemarivanje svih uputa navedenih u nastavku može rezultirati strujnim udarom, požarom i/ili teškim tjelesnim ozljedama.

SIGURNOST RADNOG PODRUČJA

- **Radno područje održavajte čistim i dobro osvijetljenim.** Pretrpana ili mračna područja izazivaju nesreće.
- **EGO punjačem ne rukujte u eksplozivnim okruženjima, primjerice u prisutnosti zapaljivih tekućina, plinova ili prašine.** Punjač može stvoriti iskre koje mogu zapaliti prašinu ili isparenja.

ELEKTRIČNA SIGURNOST

- **Utikači električnog alata moraju odgovarati utičnicima.** Nikada ne radite preinake utikača. Ne koristite utikače adaptera s uzemljenim električnim alatima. Nepreinačeni utikači i odgovarajuće utičnice smanjit će rizik od strujnog udara.
- **Punjač ne izlažite kiši ili mokrim uvjetima.** Prodiranje vode u punjač povećat će rizik od strujnog udara.

- **Kabel ne koristite nepropisno.** Kabel nikada ne koristite za nošenje, povlačenje ili isklapanje punjača iz električne mreže. Držite kabel podalje od topline, ulja, oštih rubova ili pokretnih dijelova. Oštećeni ili isprepleteni kabeli povećavaju rizik od strujnog udara.
- **Izbjegavajte kontakt tijela s uzemljenim površinama, kao što su slavine, radiatori, peći i hladnjaci.** Postoji povećan rizik od strujnog udara ako je vaše tijelo uzemljeno.
- **Kada električnim alatom radite na otvorenom, koristite produžni kabel prikladan za uporabu na otvorenom.** Korištenje kabela prikladnog za uporabu na otvorenom smanjuje rizik od strujnog udara.
- EGO punjač može puniti EGO komplete litij-ionskih baterija navedene u nastavku:

PUNJAČ	KOMPLETI BATERIJA
CH5500E	BA1120E, BA1400, BA2240E, BA2240T, BA2242T, BA2800, BA3360, BA4200, BA1400T, BA2800T, BA4200T, BA5600T, BA6720T

SERVISIRANJE

- **Servisiranje punjača prepustite kvalificiranom osoblju za popravak koje koristi samo identične zamjenske dijelove.** Time će se osigurati održavanje sigurnosti punjača.
- **Pri servisiranju punjača koristite samo identične zamjenske dijelove. Pridržavajte se uputa u poglavlju Održavanje ovog priručnika.** Korištenje neodobrenih dijelova ili zanemarivanje uputa u poglavlju Održavanje može rezultirati rizikom od strujnog udara ili ozljeda.

SIGURNOSNE NAPOMENE ZA PUNJAČ

⚠ OPREZ! Radi smanjenja rizika od strujnog udara ili oštećenja punjača i baterije puniti samo litij-ionske punjive baterije posebno naznačene na naljepnici punjača. Drugi tipovi baterija mogu se rasprsnuti i prouzročiti tjelesne ozljede ili oštećenje.

Ovaj uređaj nije predviđen da njime rukuju osobe (uključujući djecu) ograničenih fizičkih, osjetilnih ili mentalnih sposobnosti ili nedostatnog iskustva i znanja, osim ako ih nadzire osoba odgovorna za njihovu sigurnost koja im daje upute o načinu korištenja uređaja.

- **Prije korištenja punjača baterija u cijelosti pročitajte upute i upozorenja u ovom priručniku i na punjaču baterija, bateriji i proizvodu koji koristi bateriju** kako biste spriječili neispravno korištenje proizvoda i moguće ozljede ili oštećenja.
- **Ne koristite punjač na otvorenom ili ne izlažite ga mokrim ili vlažnim uvjetima.** Prodiranje vode u punjač povećat će rizik od strujnog udara.

- **Punjačem, uključujući utikač i kontakte punjača, ne rukuje mokrim rukama.**
- **Korištenje priključka koji nije preporučio ili prodao proizvođač punjača baterija može rezultirati rizikom od požara, strujnog udara ili tjelesnih ozljeda.**
- **Punjenje obavljajte samo s punjačem kojeg je naveo proizvođač.** Punjač koji je prikladan za jedan tip kompleta baterija može stvoriti rizik od požara ako ga se koristi s drugim kompletom baterija.
- **Kabel ili punjač ne koristite nepropisno.** Kabel nikada ne koristite za nošenje punjača. Utikač ne izvlačite iz utičnice povlačenjem za kabel punjača. To može rezultirati oštećenjem kabela ili punjača i stvoriti opasnost od strujnog udara. Oštećene kabele odmah zamijenite.
- **Vodite računa da kabel postavite tako da ne postoji mogućnost hodanja po kabele, spoticanja o kabel, kontakta kabela s oštrim rubovima ili pokretnim dijelovima ili da kabel ne bude predmetom oštećenja ili opterećenja.** Time će se smanjiti rizik od slučajnih padova koji mogu rezultirati ozljedama i oštećenjem kabela, što opet može rezultirati strujnim udarom.
- **Kabel i punjač držite podalje od topline kako biste spriječili oštećenje kućišta ili unutarnjih dijelova.**
- **Ne dopustite da benzin, ulja, proizvodi na bazi nafte i sl., dodu s doticaj s plastičnim dijelovima.** Ovi materijali sadrže kemikalije koje mogu oštetiti, oslabiti ili uništiti plastiku.
- **Ne koristite punjač oštećenog kabela ili utikača jer to može rezultirati kratkom spojem i strujnim udarom.** U slučaju oštećenja popravak ili zamjenu punjača prepustite ovlaštenom servisnom tehničaru servisnog centra proizvođača EGO.
- **Ne koristite punjač ako je pretrpio jak udar, ako je pao ili ako je oštećen na drugi način.** Odnosite ga na pregled ovlaštenom servisnom tehničaru kako bi utvrdio je li punjač u dobrom radnom stanju.
- **Ne rastavljajte punjač.** Ako je punjač potrebno servisirati ili popraviti, odnesite ga ovlaštenom servisnom tehničaru. Neispravno ponovno sastavljanje može rezultirati rizikom od strujnog udara i požara.
- **Prije održavanja ili čišćenja punjač isključite iz električne utičnice kako biste smanjili rizik od strujnog udara.**
- **Kada ga ne koristite, punjač isključite iz električne mreže.** Time će se smanjiti rizik od strujnog udara ili oštećenja punjača ako metalni predmeti upadnu u otvor. To će pomoći i u sprečavanju oštećenja punjača tijekom prenaponskog udara.
- **Opasnost od strujnog udara!** Ne dotičite neizolirani dio izlaznog priključka ili neizolirani baterijski kontakt.

- **Sačuvajte ove upute.** Koristite upute često i koristite ih za upućivanje drugih osoba koje mogu koristiti ovaj alat. Ako ovaj alat nekom posudite, posudite i ove upute radi sprečavanja neispravnog korištenja proizvoda i mogućih ozljeda.

VAŽNE SIGURNOSNE UPUTE

- **Sačuvajte ove upute.** Ovaj priručnik sadrži važne sigurnosne napomene i upute za uporabu za brzi punjač 56 V CH5500E.
- **Prije korištenja punjača baterija u cijelosti pročitajte upute i upozorenja na punjaču baterija, bateriji i proizvodu koji koristi bateriju.**

⚠ UPOZORENJE! Pri korištenju električnih uređaja potrebno je uvijek pridržavati se osnovnih mjera opreza uključujući sljedeće.

- Radi smanjenja rizika od ozljeda potreban je bliski nadzor kada se uređaj koristi u blizini djece.
- Koristite samo priključke koje je preporučio ili prodao proizvođač.
- Nije predviđen za uporabu na otvorenom.
- Za mobilni uređaj – Radi smanjenja rizika od strujnog udara ne stavljajte punjač u vodu ili drugu tekućinu. Ne stavljajte ili ne skladištite uređaj na mjestu gdje može pasti ili gdje ga se može povući u kadu ili sudoper.

⚠ OPREZ! Radi smanjenja rizika od ozljeda punitelje samo litij-ionske punjive baterije. Drugi tipovi baterija mogu se rasprsnuti i prouzročiti tjelesne ozljede ili oštećenje.

TEHNIČKI PODACI

Ulazna struja punjača	220 - 240 V ~ 50 Hz, 550 W
Izlazna struja punjača	5 - 8 A 56 V 
Vrijeme punjenja	Oko 25 minuta za komplet baterija BA1120E Oko 30 minuta za komplet baterija BA1400/BA2240E/BA1400T/BA2240/BA2242TT Oko 40 minuta za komplet baterija BA2800/BA2800T Oko 45 minuta za komplet baterija BA3360 Oko 60 minuta za komplet baterija BA4200/BA4200T Oko 190 minuta za komplet baterija BAX1300 Oko 70 minuta za komplet baterija BA5600T Oko 90 minuta za komplet baterija BA6720T
Optimalna temperatura punjenja	5 °C - 40 °C
Masa punjača	1,9 kg

HR

OPIS

190

BRZI PUNJAČ 56 V — CH5500E

UPOZNAJTE SVOJ PUNJAČ (sl. A)

1. Montažni utor
2. Priključak za zrak za hlađenje
3. LED svjetlosni indikatori
4. Električni kontakti
5. Mekani rukohvat
6. Rupa za zidnu montažu

RAD

NAČIN PUNJENJA KOMPLETA BATERIJA

⚠ UPOZORENJE: Ne koristite punjač na otvorenom ili ne izlažite ga mokrim ili vlažnim uvjetima. Prodiranje vode u punjač povećat će rizik od strujnog udara.

NAPOMENA: Kompleti litij-ionskih baterija isporučuju se djelomično napunjeni. Prije prvog korištenja komplet baterija potpuno napunite.

1. Priključite punjač na strujno napajanje (220 - 240 V ~ 50 Hz). Četiri LED svjetlosna indikatora punjenja kratko će zasvijetliti u zelenoj boji ukazujući na ispravan rad punjača.
2. Uravnajte izbočene kontakte kompleta baterija/ adaptera s montažnim utorima u punjaču; gurnite komplet baterija/adapter prema dolje na punjač (sl. B).

NAPOMENA: Ako punitelje komplet baterija BAX1300, najprije priključite adapter na bateriju.

3. Punjač će se povezati s kompletom baterija kako bi procijenio stanje kompleta baterija.
4. Pri punjenju kompleta baterija četiri LED svjetlosna indikatora punjenja na punjaču svijetliti će u nizu slijeva nadesno kako bi ukazali razinu napunjenosti; pogledajte sl. C. Indikator napajanja na kompletu baterija (BA1120E, BA1400, BA2240E, BA2800, BA3360, BA4200) svijetliti će u nizu: crvena, narančasta i zelena; ili na LCD indikatoru napajanja na kompletu baterija BAX1300 prikazat će se brojevi prikaz kapaciteta napunjenosti. Zadnji segment indikator s 5 LED svjetala na baterijskom modulu će treptati zeleno (za BA1400T, BA2240T, BA2800T, BA4200T, BA5600T). Ventilator u punjaču kontinuirano radi zbog hlađenja kompleta baterija.5.
5. Nakon potpunog punjenja kompleta baterija LED svjetlosni indikator punjenja naizmjenice se zaustavljaju i stalno svijetle u zelenoj boji. Indikator napajanja na kompletu baterija isključuje se. Pričekajte da se ventilator za hlađenje zaustavi, uklonite komplet baterija/adapter iz punjača i odspojite punjač od strujnog napajanja.

6. Komplet baterija potpuno će se napuniti ako ga ostavite na punjaču, ali se neće prepuniti. Ako komplet baterija (osim modela BAX1300) ostane na punjaču jedan mjesec ili dulje, obavit će postupak samoodržavanja, a kapacitet napunjenosti spustit će se na 30%. Ako se to dogodi, komplet baterija ponovno stavite na punjač radi potpunog punjenja.

Opis dijelova na sl. C pogledajte u nastavku:

C-1	LED 1	C-3	LED 3
C-2	LED 2	C-4	LED 4

NAPOMENA:

- Značajno smanjeno vrijeme rada nakon potpunog punjenja kompleta baterija ukazuje na skoriji kraj korisnog životnog vijeka baterija i potrebu njihove zamjene.
- Tijekom punjenja punjač se može zagrijati. To je sastavni dio normalnog rada punjača. Postupak punjenja obavljajte u dobro prozračenom prostoru.

FUNKCIJE LED SVJETLOSIH INDIKATORA PUNJAČA

Za BA1120E, BA1400, BA2240E, BA2800, BA3360, BA4200

LED SVJETLOSI INDIKATOR	KOMPLET BATERIJA	LED SVJETLOSI INDIKATOR NA PUNJAČU				INDIKATOR NAPAJANJA NA KOMPLETU BATERIJA	SNAGA KOMPLETA BATERIJA	RADNJA
		LED1	LED2	LED3	LED4			
	Neispravan	Treperi u crvenoj boji ili je isključen	Isključen	Isključen	Isključen	Isključen	—	Komplet baterija ili punjač je neispravan.
	Hladna/topla baterija	Svijetli u crvenoj boji	Isključen	Isključen	Isključen	Isključen	—	Punjenje će započeti kada se temperatura kompleta baterija vrati na 3 °C - 57 °C.
	Punjenje	Treperi u zelenoj boji	Isključen	Isključen	Isključen	Naizmjenice treperi u crvenoj, narančastoj i zelenoj boji	Manje od 25%	Punjenje
		Naizmjenice svijetli u zelenoj boji	Isključen	Isključen	Isključen		25% do 50%	Punjenje
		Naizmjenice svijetli u zelenoj boji	Isključen	Isključen	Isključen		50% do 75%	Punjenje
		Naizmjenice svijetli u zelenoj boji	Isključen	Isključen	Isključen		75% do 90%	Punjenje
	Potpuno napunjen	Stalno svijetli u zelenoj boji				Isključen	90% do 100%	Punjenje je završeno. Punjenje radi održavanja
—	Samoodržavanje	Isprekidano brzo treperi u zelenoj boji				Isključen	Oko 30%	Komplet baterija obavlja postupak samoodržavanja ili je u načinu rada mirovanja. Komplet baterija ponovno stavite na punjač radi potpunog punjenja.

Za BA1400T, BA2240T, BA2242T, BA2800T, BA4200T, BA5600T, BA6720T

LED SVJETLOSNI INDIKATOR	KOMPLET BATERIJA	LED SVJETLOSNI INDIKATOR NA PUNJAČU				INDIKATOR S 5 LED ELEMENATA NA BATERIJSKOM MODULU	SNAGA KOMPLETA BATERIJA	RADNJA
		LED1	LED2	LED3	LED4			
	Neispravan	Treperi u crvenoj boji ili je isključen	Isključen	Isključen	Isključen	Isključen	—	Komplet baterija ili punjač je neispravan.
	Hladna/topla baterija	Svijetli u crvenoj boji	Isključen	Isključen	Isključen	Isključen	—	Punjenje će započeti kada se temperatura kompleta baterija vrati na 3°C -57°C (Za BA1400T, BA2242T, BA2800T, BA4200T, BA5600T, BA6720T) 3°C-50°C (Za BA2240T).
	Punjenje	Treperi u zelenoj boji	Isključen	Isključen	Isključen	Zadnji segment trepće zeleno, ostali stalno svijetle zeleno	Manje od 25%	Punjenje
		Naizmjenice svijetli u zelenoj boji		Isključen	Isključen		25% do 50%	Punjenje
		Naizmjenice svijetli u zelenoj boji		Isključen	Isključen		50% do 75%	Punjenje
		Naizmjenice svijetli u zelenoj boji					Isključen	75% do 90%
	Potpuno napunjen	Stalno svijetli u zelenoj boji				Isključen	90% do 100%	Punjenje je završeno. Punjenje radi održavanja
—	Samoodržavanje	Isprekidano brzo treperi u zelenoj boji				Isključen	Oko 30%	Komplet baterija obavlja postupak samoodržavanja ili je u načinu rada mirovanja. Komplet baterija ponovno stavite na punjač radi potpunog punjenja.

PUNJENJE TOPLOG ILI HLADNOG KOMPLETA BATERIJA

Ako je temperatura kompleta baterija izvan normalnog temperaturnog raspona, svjetlosni indikator LED1 svijetlit će u crvenoj boji. Kada se komplet baterija ohladi na temperaturu od oko 57 °C, 42 °C za model BAX1300, ili zagrije na više od 3 °C, 50°C za BA2240T), punjač će automatski započeti postupak punjenja, a 4 LED svjetlosna indikatora radit će u uobičajenom nizu.

NEISPRAVAN KOMPLET BATERIJA ILI PUNJAČ

Ako punjač detektira problem, svjetlosni indikator LED1 počet će treperiti u crvenoj boji ili će se svi LED svjetlosni indikator i isključiti.

ZA PUNJENJE MODELA BA1120E, BA1400, BA2240E, BA2242T, BA2800, BA3360, BA4200, BA1400T, BA2240T, BA2800T, BA4200T, BA5600T, BA6720T

1. Ako se registrira kao neispravan, uklonite komplet baterija i ponovno ga stavite na punjač. Ako LED svjetlosni indikator i drugi put očitavaju "neispravno" stanje, pokušajte puniti drugi komplet baterija.
2. Ako se drugi komplet baterija puni normalno, zbrinite neispravan komplet baterija (pogledajte upute u priručniku kompleta baterija).
3. Ako se i za drugi komplet baterija očitava "neispravno" stanje, odspojite punjač od strujnog napajanja i pričekajte

HR

da se trepereći svjetlosni indikator LED1 isključi, a zatim ponovno utaknite utikač u strujnu utičnicu. Ako svjetlosni indikator LED1 na punjaču i dalje prikazuje neispravno stanje, punjač je možda neispravan.

ZA PUNJENJE MODELA BAX1300

1. Ako se registrira kao neispravan, uklonite komplet baterija i ponovno ga s punjačem spojite na adapter. Ako LED svjetlosni indikator i drugi put očitavaju "neispravno" stanje, pokušajte staviti novi adapter ili puniti drugi komplet baterija.
2. Ako se drugi adapter ili komplet baterija puni normalno, zbrinite neispravan adapter ili komplet baterija (pogledajte upute u priručniku kompleta baterija).
3. Ako se i za drugi komplet baterija i adapter opet očitava "neispravno" stanje, odspojite punjač od strujnog napajanja i pričekajte da se trepereći svjetlosni indikator LED1 isključi, a zatim ponovno utaknite utikač u strujnu utičnicu. Ako svjetlosni indikator LED1 na punjaču i dalje prikazuje neispravno stanje, punjač je možda neispravan.

RUPE ZA ZIDNU MONTAŽU

Punjač ima rupe za ovješene za praktično skladištenje (sl. A-6). Postavite vijke u zid međusobno udaljene 76 mm. Koristite vijke dovoljno jake da drže ukupnu masu punjača i kompleta baterija (maksimalno oko 4,1 kg).

ODRŽAVANJE

⚠ UPOZORENJE! Radi izbjegavanja teških tjelesnih ozljeda, pri čišćenju ili obavljanju podešavanja komplet baterija uvijek izvadite iz alata.

⚠ UPOZORENJE! Pri servisiranju koristite samo identične zamjenske dijelove proizvođača EGO. Korištenje drugih dijelova može izazvati opasnost ili prouzročiti oštećenje proizvoda.

⚠ UPOZORENJE! Kao metodu čišćenja punjača ne preporučujemo korištenje stlačenog suhog zraka. Ako je čišćenje stlačenim zrakom jedina primjenjiva metoda, prilikom čišćenja alata uvijek nosite zatvorene zaštitne naočale ili zaštitne naočale s bočnim štitnicima. Ako radite u prašnjavim uvjetima, nosite i masku za zaštitu od prašine.

⚠ UPOZORENJE! Ako je strujni kabel oštećen, mora ga zamijeniti proizvođač, ovlašteni serviser ili druga kvalificirana osoba kako bi se izbjegla opasnost.

OPĆE ODRŽAVANJE

Pri čišćenju plastičnih dijelova izbjegavajte koristiti otapala. Većina plastika podložne su oštećenju od različitih vrsta komercijalnih otapala i mogu se oštetiti u slučaju njihovog korištenja. Za uklanjanje nečistoće, prašine, ulja, masti i sl. koristite čiste krpe.

⚠ UPOZORENJE! Nemojte nikada dopustiti da kočione tekućine, benzin, proizvodi na bazi nafte, penetrirajuća ulja i sl., dođu u doticaj s plastičnim dijelovima. Kemikalije mogu oštetiti, oslabiti ili uništiti plastiku što može rezultirati teškim tjelesnim ozljedama.

⚠ UPOZORENJE! Pri servisiranju koristite samo identične zamjenske dijelove proizvođača EGO. Korištenje drugih dijelova može izazvati opasnost ili prouzročiti oštećenje proizvoda. Radi osiguranja sigurnosti i pouzdanosti sve popravke treba obavljati kvalificirani servisni tehničar servisnog centra proizvođača EGO.

Zaštita okoliša



Električnu opremu, punjač baterije i baterije/punjive baterije ne odlažite u otpad iz kućanstva!

Prema Europskoj Direktivi 2012/19/EU o električnoj i elektroničkoj opremi koja više nije iskoristiva i prema Europskoj Direktivi 2006/66/EZ neispravne ili iskorištene komplete baterija/baterije potrebno je sakupljati zasebno.

Ako se električni uređaji odlažu na odlagališta otpada ili deponije, opasne tvari mogu iscurjeti u podzemne vode i dospjeti u lanac ishrane, oštećujući tako vaše zdravlje i blagostanje.

OTKLANJANJE SMETNJI

PROBLEM	UZROK	RJEŠENJE
Punjač ne radi. Svjetlosni indikator LED1 treperi u crvenoj boji ili se svi LED svjetlosni indikatori isključuju.	Komplet baterija, adapter ili punjač su neispravni ili je spoj kompleta baterije, adaptera i punjača loš.	<ul style="list-style-type: none">■ Pokušajte ukloniti i ponovno staviti komplet baterija/adapter na punjač.■ Pokušajte ukloniti i spojiti adapter na komplet baterija (za model BAX1300).■ Pokušajte zamijeniti adapter.■ Pokušajte puniti drugi komplet baterija.■ Odspojite punjač od strujnog napajanja i pričekajte da se crveni LED svjetlosni indikator isključi, a zatim ponovno utaknite utikač u strujnu utičnicu.
Punjač ne radi i svjetlosni indikator LED1 svijetli u crvenoj boji.	Komplet baterija je previše vruć ili previše hladan.	Pričekajte da komplet baterija dostigne normalnu temperaturu. Punjenje će započeti kada se temperatura kompleta baterija vrati na 3 °C - 57 °C (42 °C za model BAX1300, 3°C -50°C for BA2240T).

JAMSTVO**JAMSTVENA POLITIKA PROIZVOĐAČA EGO**

Za cjelokupne uvjete jamstvene politike proizvođača EGO posjetite internetsku stranicu egopowerplus.com.

სრულად გაეცანით ინსტრუქციას!



გაეცანით მომხმარებლის ინსტრუქციას

▲ არსებული რისკი! პიროვნებებმა ისეთი ელექტრული მოწყობილობებით, როგორცაა იმპლანტირებული დეფიბრილატორი, უნდა მიმართონ პირად ექიმს რჩევისთვის ამ პროდუქტის გამოყენებამდე. იმპლანტირებულ დეფიბრილატორთან უშუალო სიახლოვეს ელექტრული მოწყობილობის ოპერირებამ შესაძლოა დეფიბრილატორს ხელი შეუშალოს მუშაობაში ან გათიშოს იგი.

▲ გაფრთხილება: ხელსაწყო უსაფრთხოდ და გამართულად მუშაობისთვის საჭიროა მისი ყველა შეკეთება და ნაწილის შეცვლა შესრულდეს კვალიფიციური სერვისის ტექნიკოსის მიერ.

▲ გაფრთხილება: ხელსაწყო შეიძლება გამოყენებულ იქნას ბავშვების მიერ (8 წლიდან) და შეზღუდული ფიზიკური, სენსორული ან მენტალური შესაძლებლობის მქონე პირების ან ცოდნისა და გამოცდილების არმქონე პირების მიერ, თუ მათ მიიღეს შესაბამისი ზედამხედველობა და ინსტრუქტაჟი ხელსაწყოს უსაფრთხოდ გამოყენების თაობაზე მათ უსაფრთხოებაზე პასუხისმგებელი პირისგან და მათ ესმით ხელსაწყო გამოყენებასთან დაკავშირებული საფრთხეები. ბავშვებმა არ უნდა ითამაშონ ხელსაწყოთი. ხელსაწყოს გაწმენდა და სერვისი არ უნდა ჩატარდეს ზედამხედველობის გარეშე მყოფი ბავშვების მიერ.

უსაფრთხოების წესის სიმბოლოები

უსაფრთხოების წესის სიმბოლოების მიზანია მიაქციოთ ყურადღება შესაძლო საფრთხეებს. ყურადღებით გაეცანით და შეისწავლეთ უსაფრთხოების წესის სიმბოლოები და მათი შესაბამისი განმარტებები. უსაფრთხოების წესის

სიმბოლოების მინიშნებები თავისთავად არ ანეიტრალებს რაიმე საფრთხის არსებობის რისკს. მათ მიერ მოწოდებული ინსტრუქციები და გაფრთხილებები არ არიან შემთხვევის თავიდან აცილების სწორი პროცედურის შემცველები.

▲ გაფრთხილება: ხელსაწყო გამოყენებამდე დაწვრილებით გაეცანით და შეისწავლეთ ყველა უსაფრთხოების წესი მომხმარებლის ამ ინსტრუქციაში, მათ შორის ყველა უსაფრთხოების წესის სიმბოლო როგორცაა „სამშრომბა“, „გაფრთხილება“ და „ყურადღება“. ქვემოთ ჩამოთვლილი ყველა ინსტრუქციის უგულებელყოფამ შესაძლოა გამოიწვიოს ელექტრული შოკი, ხანძარი და/ან მოგაყენოთ სერიოზული პირადი ზიანი.

უსაფრთხოების წესის ინსტრუქცია

ეს გვერდი აჩვენებს და აღწერს იმ უსაფრთხოების წესის სიმბოლოებს, რომლებიც შესაძლოა აღბეჭდილია მოცემულ პროდუქტზე. წაიკითხეთ, შეისწავლეთ და მიყევით ხელსაწყოს ყველა ინსტრუქციას მის აწყობამდე და ჩართვამდე.

	უსაფრთხოების ნიშანი	გამართლებელი ზომები, რომლებიც მოიცავს თქვენს უსაფრთხოებას
	გაეცანით მომხმარებლის ინსტრუქციას	დაზიანების რისკის შესამცირებლად მომხმარებელმა უნდა წაიკითხოს ხელსაწყო მუშაობის ინსტრუქცია.
	შენიშნაში გამოყენების-თვის	გამოყენეთ ეს ხელსაწყო მხოლოდ შენიშნაში
	II კლასის ნაწარმი	ორმაგად იზოლირებული კონსტრუქცია
	ელექტრული მცველი	დროის დაყოვნების მქონე მინიატურული ელექტრული მცველი
	CE	ხელსაწყო შეესაბამება ევროკავშირის მიერ წამოყენებულ რეგულაციებს.

KA

UK CA	გსგო	ეს პროდუქტი შესაბამისაა დიდი ბრიტანეთის მოქმედ კანონმდებლობას.
	WEEE	ელექტრული ხელსაწყოების უტილიზაცია არ უნდა მოხდეს საყოფაცხოვრებო ნარჩენებთან ერთად. წაიღეთ ხელსაწყო ავტორიზირებულ ნარჩენების გადამამუშავებელ-ლოთან.
V	ვოლტი	ძაბვა
A	ამპერი	დენი
Hz	ჰერცი	სიხშირე (ბრუნთა რიცხვი წამში)
W	ვატი	სიმძლავრე
min	წუთი	დრო
	ცვლადი დენი	დენის ტიპი
	მუდმივი დენი	დენის ტიპი ან სახე

⚠ გაფრთხილება: დაწვრილებით გაეცანით და შეისწავლეთ ყველა ინსტრუქცია. ქვემოთ ჩამოთვლილი ყველა ინსტრუქციის უგულბელოყოფამ შესაძლოა გამოიწვიოს ელექტრული შოკი, ხანძარი და/ან მოგაყენოთ სერიოზული პირადი ზიანი.

სამუშაო არეს უსაფრთხოება

- დაიცავით სამუშაო არის სისუფთავე და იქონიეთ კარგი განათება. ჩახერგილი ან ბნელი სამუშაო არე იწვევს ინციდენტებს.
- არ ამუშაოთ EGO-ს დამტენი მოწყობილობა გარემოში ფეთქებადი საშუალებების არსებობისას, როგორცაა აალებადი სითხეები, აირები ან მტვერი. დამტენმა მოწყობილობამ შესაძლოა წარმოქმნას ნაპერწკალი, რომელმაც შეიძლება აანთოს მტვერი ან აირი.

ელექტრული უსაფრთხოება

- ელექტრული ხელსაწყოს დენის ჩანგალი უნდა ერგებოდეს შტეფსელს. არასოდეს გაუკეთოთ მოდიფიცირება ხელსაწყოს დენის ჩანგალს. არ გამოიყენოთ ადაპტორები ისეთი ხელსაწყოების დენის ჩანგალზე, რომელსაც აქვს დამიწება. არსებული დენის ჩანგალი და მისი შესაბამისი შტეფსელის არსებობა

ამცირებს ელექტრული შოკის რისკს.

- არ დატოვოთ დამტენი ხელსაწყო წვიმაში ან სველ ადგილას. დამტენში შესული წყალი ზრდის ელექტრული შოკის მიღების რისკს.
- არ დააზიანოთ დენის სადენი. არასოდეს გამოიყენოთ სადენი დამტენი ხელსაწყოს სატარებლად, მოსაქაჩად ან შტეფსელიდან ამოსართველად. დაიცავით დენის სადენი სიმბურვალისან, ზეთისგან, მჭრელი და მოძრავი საგნებისგან. დაზიანებული ან გადახლართული დენის სადენი ზრდის ელექტრული შოკის რისკს.
- მოერიდეთ სხეულით დამიწებულ საგნებს ზედაპირებთან კონტაქტს, როგორცაა მიწები, რადიატორები, ქურები და მაცივრები. ელექტრული შოკის მიღების რისკი იზრდება თუ თქვენი სხეული დამიწებულია.
- ელექტრული ხელსაწყოთი გარეთ სარგებლობისას გამოიყენეთ დამაგრებელი, რომელიც გამოსადეგია გარეთ მუშაობისთვის. გარეთ მუშაობისთვის შესაბამისი ელექტრული სადენის გამოყენება ამცირებს ელექტრული შოკის რისკს.
- EGO-ს დამტენი ხელსაწყო მუხტავს EGO-ს ლითიუმ-იონის ქვევით ჩამოთვლილ აკუმულატორებს:

დამტენი	აკუმულატორი
CH5500E	BA1120E, BA1400, BA2240E, BA2240T, BA2242T, BA2800, BA3360, BA4200, BA1400T, BA2800T, BA4200T, BA5600T, BA6720T

ტექნიკური სერვისი

- დამტენი ხელსაწყოს ტექნიკური სერვისი შესარულებინეთ კვალიფიციურ პირს მხოლოდ იდენტური სათადარიგო ნაწილების გამოყენებით. მსგავსი პროცედურა უზრუნველყოფს დამტენი ხელსაწყოს უსაფრთხო მუშაობას.
- დამტენის ტექნიკური სერვისისას გამოიყენეთ მხოლოდ იდენტური სათადარიგო ნაწილები. მისდით მომხმარებლის ინსტრუქციის სერვისის

სექციაში არსებულ მითითებებს.

- განსხვავებული ნაწილების გამოყენებამ და სერვისის ინსტრუქციების მიუდევრობამ შესაძლოა წარმოქმნას ელექტრული შოკის ან ფიზიკური ზიანის მიღების რისკი.

დამტენის მოხმარების უსაფრთხოების წესები

▲ ყურადღება: ელექტრული შოკის ან დამტენის და აკუმულატორის დაზიანების რისკის შესამცირებლად, დამუხტეთ მხოლოდ ამ ხელსაწყოთვის მითითებული ლითიუმ-იონის დატენვადი აკუმულატორები. სხვა ტიპის აკუმულატორები შესაძლოა გასკდეს, და გამოიწვიოს პირადი ან ხელსაწყო დაზიანება.

ხელსაწყო არ არის განკუთვნილი იმისათვის რომ, შეზღუდული ფიზიკური, სენსორული ან მექანური შესაძლებლობის მქონე პირებმა (ბავშვების ჩათვლით), ან ცოდნისა და გამოცდილების არმქონე პირებმა ისარგებლონ მისით, გარდა იმ შემთხვევებისა როცა მათ მიიღეს შესაბამისი ზედამხედველობა და ინსტრუქტაჟი ხელსაწყო გამოყენების თაობაზე მათ უსაფრთხოებაზე პასუხისმგებელი პირისგან.

- **დამტენი ხელსაწყო გამოყენებამდე,** დაწვრილებით გაეცანით ყველა მითითებას და უსაფრთხოების სიმბოლოს ამ მოხმარების ინსტრუქციაში, დამტენ ხელსაწყოზე, აკუმულატორზე და შესაბამის აკუმულატორზე მომუშავე ელექტრულ ხელსაწყოზე, რათა არ მოხდეს ამ ხელსაწყოების არასათანადო მოპყრობა და თავიდან აიცილოთ შესაძლო თქვენი ან მათი დაზიანება.
- **არ გამოიყენოთ დამტენი ხელსაწყო გარეთ ან დატოვოთ წვიმაში ან სველ ადგილას.** დამტენში შესული წყალი ზრდის ელექტრული შოკის მიღების რისკს.
- **არ მოკიდოთ სველი ხელები დამტენ მოწყობილობას, მის დენის ჩანგალს და დამტენის კონტაქტებს.**

- **დამტენი ხელსაწყო მწარმოებელი კომპანიის მიერ არარეკომენდირებულმა მიმაგრებამ, ან რომელიც მათ მიერ არაა მოწოდებული, შესაძლოა გამოიწვიოს ხანძრის, ელექტრული შოკის და ფიზიკური ზიანის რისკი.**
- **დატენით მხოლოდ მწარმოებლის მიერ მითითებული დამტენი მოწყობილობით.** დამტენმა მოწყობილობამ, რომელიც თავსებადია ერთი ტიპის აკუმულატორთან, შესაძლოა წარმოშვას ხანძრის გაჩენის რისკი სხვა აკუმულატორზე გამოყენებისას.
- **არ დააზიანოთ დენის სადენი ან დამტენი ხელსაწყო.** არასოდეს გამოიყენოთ სადენი დამტენი ხელსაწყო სატარებლად. არ მოქაჩოთ სახეზე დამტენი ხელსაწყო შტეფსელიდან ამოსართვლად. შესაძლოა მოხდეს სადენის ან დამტენის დაზიანება და შექმნას ელექტრული შოკის საფრთხე. დაუყონებლივ შეცვალეთ დაზიანებული სადენები.
- **დარწმუნდით რომ სადენი ისეა მოთავსებული, რომ მას არ დააზიანებენ, არ წამოკრავენ ფეხს, არ ჩაითრევენ ბასრი ან მოძრავი ნაწილები ან სხვაგვარად არმიადგება ზიანი.** ეს შეამცირებს ინციდენტების რიცხვს, რომელმაც შესაძლოა მოგიტანოთ ზიანი ან დააზიანოს სადენი, რამაც თავის მხრივ შეიძლება გამოიწვიოს ელექტრული შოკი.
- **დაიცავით დენის სადენი და დამტენი ხელსაწყო სიმზურვალისა, რათა თავიდან აიცილოთ ხელსაწყოთა ბუდის ან მისი ნაწილების დაზიანება.**
- **არ მისცეთ ბენზინს, ნავთობის ბაზაზე დამზადებულ პროდუქტებს ან სხვა ძლიერი გამსწნელებს მოვიდნენ პლასტმასის ნაწილებთან კონტაქტში.** ეს ნივთიერებები შეიცავენ ქიმიურ ნაერთებს, რომელთაც შეუძლია დააზიანონ, გავციონ და დაშალონ პლასტმასი.
- **არ გამოიყენოთ დამტენი ხელსაწყო დაზიანებული სადენით ან დენის ჩანგალით, ამან შესაძლოა გამოიწვიოს მოკლე ჩართვა ან ელექტრული შოკი.**

KA

დაზიანების შემთხვევაში შეაკეთებინეთ დამტენი ხელსაწყო ავტორიზირებულ სერვისის ტექნიკოსს EGO-ს სერვის ცენტრში.

- არ გამოიყენოთ დამტენი ხელსაწყო თუ მას მკვეთრად შეეჯახა რამე, დაბლა დაფარდა ან დაზიანდა სხვაგვარად. მიუტანეთ ის ავტორიზირებულ სერვისის ტექნიკოსს ელექტრულ შემოწმებაზე, რათა შეიტყოთ არის თუ არა დამტენი შესაბამის მუშა მდგომარეობაში.
- არ დაშალოთ დამტენი ხელსაწყო. მიუტანეთ ის ავტორიზირებულ სერვისის ტექნიკოსს, როდესაც დამტენი საჭიროებს სერვისს ან შეკეთებას. არასწორად აწყობილმა დამტენმა ხელსაწყომ შესაძლოა წარმოშვას ელექტრული შოკის ან ხანძრის რისკი.
- გამოაერთეთ დამტენი ხელსაწყო შტეფსელიდან სერვისის ან წმენდის პროცესის დაწყებამდე, რათა შეამციროთ ელექტრული შოკის რისკი.
- გამოაერთეთ დამტენი ხელსაწყო ქსელიდან, როდესაც მას არ იყენებთ. ეს შეამცირებს ელექტრული შოკის ან დამტენის დაზიანების რისკს იმ შემთხვევაში, თუ ლითონის საგნები ჩავარდა მის ღია ადგილებში. ეს ასევე დაგეხმარებათ თავიდან აიცილოთ დამტენის დაზიანება ძაბვის მოვარდნის შემთხვევაში.
- ელექტრული შოკის რისკი. არ შეეხოთ დენის გამოსავალის არაიზოლირებულ ნაწილს ან აკუმულატორის არაიზოლირებულ კონტაქტებს.
- შეინახეთ ეს მომხმარებლის ინსტრუქცია. გამოიყენეთ მომხმარებლის ინსტრუქცია და მოითითეთ სხვებს, ვისაც სურს ხელსაწყო გამოიყენება, გაეცნონ მას. თუ ათხოვებთ ხელსაწყოს სხვა პირს, ასევე ათხოვთ მას ეს მომხმარებლის ინსტრუქცია, რათა აღკვეთოთ ხელსაწყოს არასათანადო გამოყენება და შესაძლო ზიანი.
- მნიშვნელოვანი უსაფრთხოების ინსტრუქციები
- შეინახეთ ეს მომხმარებლის ინსტრუქცია.

ეს მომხმარებლის ინსტრუქცია მოიცავს მნიშვნელოვან უსაფრთხოების და ექსპლუატაციის მითითებებს EGO 56 ვოლტიანი CH5500E სწრაფად დამტენი ხელსაწყოსთვის.

- დამტენი ხელსაწყოს გამოყენებამდე, დაწვრილებით გაეცანით ყველა მითითებას და უსაფრთხოების სიმბოლოს დამტენ ხელსაწყოზე, აკუმულატორზე და შესაბამის აკუმულატორზე მომუშავე ელექტრულ ხელსაწყოზე.

▲ გაფრთხილება: ელექტრული ხელსაწყოების გამოყენებისას ძირითადი უსაფრთხოების ზომები უნდა იყოს დაცული, შემდეგის ჩათვლით:

- დაზიანების რისკის შესამცირებლად საჭიროა მჭიდრო ზედამხედველობა, როდესაც ხელსაწყო გამოიყენება ბავშვების სიახლოვეს.
- გამოიყენეთ მხოლოდ ისეთი მიმაგრებები, რომელიც მოწოდებულია ან რეკომენდირებულია მწარმოებლის მიერ.
- არ გამოიყენოთ ხელსაწყო გარეთ.
- პორტატული ხელსაწყოს შემთხვევაში - ელექტრული შოკის რისკის შესამცირებლად არ მოათავსოთ დამტენი წყალში ან სხვა სითხეში. არ მოათავსოთ ან შეინახოთ ხელსაწყო იქ, სადაც იგი შესაძლოა ჩავარდეს ან ჩაითრიონ აბაზანაში ან პირსაბანაში.

▲ ყურადღება: ვიზიკური ზიანის რისკის შესამცირებლად დამუხტეთ მხოლოდ ლითიუმ-იონის დატენვადი აკუმულატორები. სხვა ტიპის აკუმულატორები შესაძლოა გასკდეს, და გამოიწვიოს პირადი ან ხელსაწყოს დაზიანება.

სპეციფიკაცია

დენი შესავალზე	220-240 ვ [~] 50 ჰვ, 550 ვტ
დენი გამოსავალზე	5-8 ა, 56 ვ
დამუხტვის დრო	დაახლოებით 25 წუთი BA1120E აკუმულატორისთვის დაახლოებით 30 წუთი BA1400/BA2240E/BA1400T/BA2240T/BA2242T აკუმულატორისთვის დაახლოებით 40 წუთი BA2800/BA2800T აკუმულატორისთვის დაახლოებით 45 წუთი BA3360 აკუმულატორისთვის დაახლოებით 60 წუთი BA4200/BA4200T აკუმულატორისთვის დაახლოებით 190 წუთი BAX1300 აკუმულატორისთვის დაახლოებით 70 წუთი BA5600T აკუმულატორისთვის დაახლოებით 90 წუთი BA6720T აკუმულატორისთვის
ოპტიმალური დამუხტვის ტემპერატურა	5 °C-40 °C
დამტენი ხელსაწყოს წონა	1.9 კგ

აღწერა

შეისწავლეთ თქვენი დამტენი ხელსაწყო (ნახ. A)

1. სამაგრი ნასვრეტი
2. გასაგრილებელი საპაერო
3. შუქდიოდური ინდიკატორები
4. ელექტრული კონტაქტები
5. რბილი სახელური
6. კედელზე სამაგრი სიდრუე

ექსპლუატაცია

როგორ დავტენოთ აკუმულატორი

⚠ გაფრთხილება: არ გამოიყენოთ დამტენი ხელსაწყო გარეთ ან დატოვოთ წვიმაში ან სველ ადგილას. დამტენში შესული წყალი ზრდის ელექტრული შოკის მიღების რისკს.

შენიშვნა: მწარმოებლის მიერ მოწოდებული ლითიუმ-იონის აკუმულატორები ნაწილობრივ დატენილია. სრულად დატენეთ აკუმულატორი პირველ ჯერზე სარგებლობამდე.

1. მიუერთეთ დამტენი მოწყობილობა კვებას (~220-240 ვ, 50 ჰვ). ოთხი შუქდიოდური ინდიკატორი მყისიერად გაანათებს მწვანედ, რაც ნიშნავს რომ დამტენი ხელსაწყო სწორად მუშაობს.
2. გაუსწორეთ აკუმულატორის/ადაპტერის სამაგრი დამტენი მოწყობილობის ნასვრეტებს; ჩასვით აკუმულატორი/ადაპტერი დამტენ მოწყობილობაში (ნახ. B).

შენიშვნა: BAX1300 ტიპის აკუმულატორის დამუხტვისას დასაწყისში დამტენ ხელსაწყოს მიუერთეთ ადაპტერი.

3. დამტენი მოწყობილობა დაუკავშირდება და განსაზღვრავს აკუმულატორის მდგომარეობას.
4. როდესაც აკუმულატორი იმუხტება, დამტენზე არსებული ოთხი შუქდიოდის ინდიკატორი მწვანედ გაანათებს მიმდევრობით, მარცხნიდან მარჯვნივ, რათა აღნიშნოს დამუხტვის დონე; იხილეთ ნახ. C. აკუმულატორებზე (BA1120E, BA1400, BA2240E, BA2800, BA3360, BA4200) არსებული დამუხტვის ინდიკატორი იციმციმებს მიმდევრობით: წითლად, ნარინჯისფრად და მწვანედ, ან BAX1300 აკუმულატორზე არსებული LCD დისლეი აჩვენებს დამუხტვის ციფრულ მაჩვენებელს. აკუმულატორზე არსებული დამუხტვის 5 შუქდიოდური ინდიკატორის ზოლო სეგმენტი იციმციმებს მწვანედ (BA1400T, BA2240T, BA2242T, BA2800T, BA4200T, BA5600T, BA6720T მოდელისთვის). დამტენი მოწყობილობის ვენტილატორი მუშაობს

KA



განუწყვეტილ, რათა გააგრძლოს ხელსაწყო.

5. როდესაც აკუმულატორი ბოლომდე დაიტენება, დამუხტვის რეჟიმის აღმნიშვნელი შუქდიოდები შეწყვიტავენ ციმციმს და აინთებიან მუდმივი მწვანე ნათებით. აკუმულატორზე არსებული დამუხტვის ინდიკატორი ჩაქრება. მოიცადეთ სანამ გამაგრებელი ვენტილატორი არ გაჩერდება, მოხსენით აკუმულატორი/ადაპტერი დამტენი მოწყობილობიდან და გამორთეთ დამტენი წრედიდან.

6. დამტენ მოწყობილობაში დარჩენილი აკუმულატორი სრულად დაიტენება გადამუხტვის გარეშე. თუ აკუმულატორი (გარდა BAXI300 მოდელისა) დარჩება შეერთებული დამტენ ხელსაწყოზე ერთი ან მეტი თვით, იგი შეასრუბს თვით-სერვისს და დავა მუხტის ტევადობის 30%-იან ნიშნულზე. ასეთ შემთხვევაში ხელახლა მიუერთეთ აკუმულატორი დამტენ ხელსაწყოს მის სრულად დასამუხტად.

ნახ. C ნაჩვენები ნაწილების აღწერა მოცემულია ქვევით:

C-1	შუქდიოდი 1	C-3	შუქდიოდი 3
C-2	შუქდიოდი 2	C-4	შუქდიოდი 4

შენიშვნა:

- აკუმულატორის სრული დამუხტვის შემდეგ ხელსაწყოს მუშაობის განსაკუთრებულად შემცირებული პერიოდი აღნიშნავს იმ ფაქტს, რომ აკუმულატორმა თითქმის ამოწურა საკუთარი ტექნიკური ვადა და საჭიროებს შეცვლას.
- დამტენი ხელსაწყო შესაძლოა გათბეს დამუხტვის პროცესში. ეს დამტენი ხელსაწყოს მუშაობის ნორმალური რეჟიმია. დამუხტეთ აკუმულატორი კარგად განიავებად არეში.

KA

დამტენზე დატანილი შუქდიოდების ფუნქციები
BA1120E, BA1400, BA2240E, BA2800, BA3360, BA4200 მოდელებისთვის

შუქდიოდური ინდიკატორი	აკუმულატორი	შუქდიოდი დამტენზე				აკუმულატორზე არსებული დამუხტვის ინდიკატორი	აკუმულატორის მუხტი	მოქმედება
		შუქდიოდი 1	შუქდიოდი 2	შუქდიოდი 3	შუქდიოდი 4			
	დეფექტურია	მოციმციმე წითელი შუქი ან ჩამქრალი	გათიშული	გათიშული	გათიშული	გათიშული	—	აკუმულატორი ან და-მტენი დეფექტურია.
	აკუმულატორი ცივია/ცხელია	მუდმივი წითელი შუქი	გათიშული	გათიშული	გათიშული	გათიშული	—	დამუხტვა დაიწყება, როცა აკუმულატორი დაუბრუნდება 3°C-57°C ტემპერატურულ დიაპაზონს.
	იმუხტება	მოციმციმე მწვანე შუქი	გათიშული	გათიშული	გათიშული	ბოლო ს-ეგმენტი ციმციმებს	25%-ზე ნაკლები	იმუხტება
		მონაცვლეობით მწვანედ ანთება	გათიშული	გათიშული	გათიშული	მწვანედ, დანარჩენი კი ანათებს	25%-დან 50%-მდე	იმუხტება
		მონაცვლეობით მწვანედ ანთება	გათიშული	გათიშული	გათიშული	მუდმივი მწვანე შუქით.	50%-დან 75%-მდე	იმუხტება
		მონაცვლეობით მწვანედ ანთება	გათიშული	გათიშული	გათიშული	მუდმივი მწვანე შუქით.	75%-დან 90%-მდე	იმუხტება
	ბოლომდე დამუხტულია	მუდმივი მწვანე შუქი	გათიშული	გათიშული	გათიშული	გათიშული	90%-დან 100%-მდე	დამუხტვა და-სრულებულია. სერვის-დამუხტვა.
—	თვით-სერვისი	პერიოდულად მცირე დროით მწვანედ ანთება	გათიშული	გათიშული	გათიშული	გათიშული	დაახლოებით 30%	აკუმულატორი ასრულებს თვით-სერვისის პროცესს ან არის მილის რეჟიმში. ხელახლა მიუერთეთ აკუმულატორი დამტენ ხელსაწყოს მის სრულად დასამუხტად.

KA

BA1400T, BA2240T, BA2242T, BA2800T, BA4200T, BA5600T, BA6720T მოდელეებისთვის

შუქდიოდური ინდიკატორი	აკუმულატორი	შუქდიოდი დამტენზე				5-LED ინდიკატორი აკუმულატორზე	აკუმულატორის მუხტი	მოქმედება
		შუქდიოდი 1	შუქდიოდი 2	შუქდიოდი 3	შუქდიოდი 4			
	დევექტურია	მოციმციმე წითელი შუქი ან ჩამქრალი	გათიშული	გათიშული	გათიშული	გათიშული	—	აკუმულატორი ან დამტენი დევექტურია.
	აკუმულატორი ცივია/ცხელია	მუდმივი წითელი შუქი	გათიშული	გათიშული	გათიშული	გათიშული	—	დამუხტვა დაიწყება, როცა აკუმულატორი დაუბრუნდება 3°C–57°C ტემპერატურულ დიაპაზონს (BA1400T, BA2242T, BA2800T, BA4200T, BA5600T, BA6720T მოდელეებისთვის)/3°C–50°C (BA2240T მოდელეებისთვის).
	იმუხტება	მოციმციმე მწვანე შუქი	გათიშული	გათიშული	გათიშული	მონაცვლეობით წითელი, ნარინჯისფერი და მწვანე შუქით ციმციმი	25%-ზე ნაკლები	იმუხტება
		მონაცვლეობით მწვანედ ანთება	გათიშული	გათიშული	გათიშული		25%-დან 50%-მდე	იმუხტება
		მონაცვლეობით მწვანედ ანთება	გათიშული	გათიშული	გათიშული		50%-დან 75%-მდე	იმუხტება
		მონაცვლეობით მწვანედ ანთება	გათიშული	გათიშული	გათიშული		75%-დან 90%-მდე	იმუხტება
	ბოლომდე დამუხტულია	მუდმივი მწვანე შუქი				გათიშული	90%-დან 100%-მდე	დამუხტვა დასრულებულია. სერვის-დამუხტვა.

KA

—	თვით-სერვისი	პერიოდულად მცირე დროით მწვანედ ანთება	გათიშული	დაახლოებით 30%	აკუმულატორი ასრულებს თვით-სერვისის პროცესს ან არის ძილის რეჟიმში. ხელახლა მიუერთეთ აკუმულატორი დამტენ ხელსაწყო მის სრულად დასამუხტად.
---	--------------	---------------------------------------	----------	----------------	---

ცივი ან ცხელი აკუმულატორის დამუხტვა

თუ აკუმულატორის ტემპერატურა ნორმალურ რეჟიმს გაცდა, შეუქდიოდი 1 წითლად დაიწყებს ნათებას. როდესაც აკუმულატორი გაგრილდება 57°C-ზე ქვევით (42°C-ზე დაბლა BAX1300 მოდელისთვის, 50°C for BA2240T) ან გათბება 3°C-ზე მეტად, დამტენი მოწყობილობა ავტომატურად დაიწყებს დამუხტვის პროცესს და 4 შეუქდიოლის ნათურა ჩვეულებრივად აინთება.

დეფექტური აკუმულატორი ან დამტენი

თუ დამტენმა მოწყობილობამ შეამჩნია პრობლემა, შეუქდიოდი 1 დაიწყებს წითლად ციმციმს ან ყველა შეუქდიოდი გაითიშება.

BA1120E, BA1400, BA2240E, BA2242T, BA2800, BA3360, BA4200, BA1400T, BA2240T, BA2800T, BA4200T, BA5600, BA6720T მოდელების დასამუხტად

1. მოხსენით და კვლავ შეუერთეთ აკუმულატორი დამტენ ხელსაწყოს, თუ იგი არეგისტრირდება მას როგორც დეფექტურს. თუ შეუქდიოდე კვლავ აღნიშნავენ აკუმულატორს „დეფექტურად“ მეორე ჯერზეც, სცადეთ სხვა აკუმულატორის დატენვა.
2. თუ სხვა აკუმულატორი ნორმალურად იმუხტება, მაშინ მოახდინეთ დეფექტური აკუმულატორის უტილიზირება (იხილეთ შესაბამისი მითითებები აკუმულატორის მომხმარებლის ინსტრუქციაში).
3. თუ სხვა აკუმულატორიც აღინიშნება „დეფექტურად“ გამოაერთეთ

დამტენი ხელსაწყო შტეფსელიდან და დაელოდეთ სანამ მოციმციმე შეუქდიოდი 1 არ ჩაქრება, შემდეგ ხელახლა მიუერთეთ დამტენი ქსელს. თუ შეუქდიოდი 1 კვლავ მიუთითებს დეფექტურობაზე, შესაძლოა დამტენი მოწყობილობა დაზიანებულია.

BAX1300 მოდელის დასამუხტად

1. მოხსენით და კვლავ შეუერთეთ აკუმულატორი დამტენ ხელსაწყოს და ადაპტერს, თუ იგი არეგისტრირდება მას როგორც დეფექტურს. თუ შეუქდიოდე კვლავ აღნიშნავენ აკუმულატორს „დეფექტურად“ მეორე ჯერზეც, სცადეთ ადაპტერის გამოცვლა ახლით ან სხვა აკუმულატორის დატენვა.
2. თუ სხვა აკუმულატორი ან სხვა ადაპტერით ნორმალურად იმუხტება, მაშინ მოახდინეთ დეფექტური ადაპტერის ან აკუმულატორის უტილიზირება (იხილეთ შესაბამისი მითითებები აკუმულატორის მომხმარებლის ინსტრუქციაში).
3. თუ სხვა აკუმულატორი და ადაპტერიც აღინიშნება „დეფექტურად“ გამოაერთეთ დამტენი ხელსაწყო შტეფსელიდან და დაელოდეთ სანამ მოციმციმე შეუქდიოდი 1 არ ჩაქრება, შემდეგ ხელახლა მიუერთეთ დამტენი ქსელს. თუ შეუქდიოდი 1 კვლავ მიუთითებს დეფექტურობაზე, შესაძლოა დამტენი მოწყობილობა დაზიანებულია.

KA

კვლეობზე სამაგრი სიღრუეები

დამტენ მოწყობილობას გააჩნია სამაგრი სიღრუეები მოსახერხებელი შენახვისთვის (ნახ. A-6). დაამონტაჟეთ კვდელოში ორი ხრახნი 76მმ დაშორებით. გამოიყენეთ სათანადო ხრახნები, რომლებიც გაუძლებს დამტენი მოწყობილობისა და აკუმულატორის კომბინირებულ წონას (დაახლოებით 4.1 კგ).

ექსპლუატაცია

▲ გაფრთხილება: სერიოზული პერსონალური ზიანისგან თავის არიდების მიზნით ყოველთვის მოხსენით აკუმულატორი ხელსაწყოს როდესაც წმინდავთ მას ან უტარებთ რაიმე ტიპის სერვისს.

▲ გაფრთხილება: ტექნიკური სერვისისას გამოიყენეთ მხოლოდ EGO-ს იდენტური სათადარიგო ნაწილები. სხვა ნებისმიერი ნაწილის გამოყენებამ შესაძლოა შექმნას საფრთხე ან გამოიწვიოს ხელსაწყოს დაზიანება.

▲ გაფრთხილება: დამტენი მოწყობილობის გაწმენდის რეკომენდირებული მეთოდი არის მშრალი კომპრესირებული ჰაერის ჭავლის გამოყენება. რადგან კომპრესირებული ჰაერის ჭავლის გამოყენება არის ერთადერთი წმინდის მეთოდი, ყოველთვის მოირგეთ უსაფრთხოების თვალსაფარი ან გვერდითა ეკრანების მქონე უსაფრთხოების სათვალე ხელსაწყოს გასუფთავებისას. გაიკეთეთ მტვრის საწინააღმდეგო ნიღაბი თუ მუშაობისას წარმოიქმნება მტვერი.

▲ გაფრთხილება: თუ ქსელის სადენი დაზიანდა, საფრთხისგან თავის არიდების მიზნით იგი უნდა შეიცვალოს მწარმოებლის, მისი სერვისის ცენტრის ან მსგავსად კვალიფიცირებული პირების მიერ.

ზოგადი მოვლის წესი

მოერიდეთ გამხსნელების გამოყენებას ხელსაწყოს პლასტმასის ნაწილების გაწმენდისას. უმეტესობა პლასტმასები ადვილად ზიანდება მათზე გამხსნელების გამოყენების შედეგად. გამოიყენეთ სუფთა

ტილო ტალახის, მტვრის, ზეთის, ცხიმის და სხვ. მოსაცილებლად.

▲ გაფრთხილება: არცერთ შემთხვევაში არ მისცეთ სატორმუო სითხეს, ბენზინს, ნავთობის ბაზაზე დამზადებულ პროდუქტებს ან სხვა ძლიერი გამხსნელებს მოვიდნენ პლასტმასის ნაწილებთან კონტაქტში. ქიმიურმა ნაერთებმა შესაძლოა დააზიანოს, გაცვიოთ და დაშალოს პლასტმასი, რამაც შეიძლება მოაყენოთ სერიოზული პირადი ზიანი.

▲ გაფრთხილება: ტექნიკური სერვისისას გამოიყენეთ მხოლოდ EGO-ს იდენტური სათადარიგო ნაწილები. სხვა ნებისმიერი ნაწილის გამოყენებამ შესაძლოა შექმნას საფრთხე ან გამოიწვიოს ხელსაწყოს დაზიანება. ხელსაწყოს უსაფრთხოდ და გამართულად მუშაობისთვის საჭიროა მისი ყველა შეკეთება და ნაწილის შეცვლა შესრულდეს კვალიფიციური სერვისის ტექნიკოსის ან EGO-ს სერვისის ცენტრის მიერ.

გარემოს დაცვა



არ მოახდინოთ ელექტრული მოწყობილობის, აკუმულატორის დამტენის და მისი ბატარეების მოთავსება საყოფაცხოვრებო ნაგავში!



ევროკავშირის 2012/19/EU რეგულაციის მიხედვით, ელექტრული და ელექტრონული ხელსაწყოები, რომლებიც აღარ გამოიყენება, ასევე 2006/66/EC რეგულაციის მიხედვით, დეფექტური ან გამოყენებული აკუმულატორები/ბატარეები, უნდა შეგროვდეს ცალკეულად. ელექტრული მოწყობილობების ნაგავსაყრელზე მოთავსებისას, სახიფათო ნარჩენები შესაძლოა გაიჟონოს გრუნტის წყლებში და მოხვდეს საკვებ ჯაჭვში, რამაც შესაძლოა დააზიანოს თქვენი ჯანმრთელობა და კეთილდღეობა.

KA

გაუმართაობის დიაგნოსტიკა

პრობლემა	მიზეზი	გადაჭრის გზა
დამტენი არ მუშაობს. შუქდიოდი 1 წითლად ციმციმებს ან ყველა შუქდიოდი არის გამორთული.	აკუმულატორი, ადაპტერი ან დამტენი მოწყობილობა არის დეფექტური ან აკუმულატორსა, ადაპტერსა და დამტენს შორის ცუდი ელექტრული კონტაქტია.	<ul style="list-style-type: none"> ■ შეეცადეთ მოხსნათ და კვლავ შეუერთოთ აკუმულატორი/ადაპტერი დამტენ ხელსაწყოს. ■ შეეცადეთ მოხსნათ და კვლავ შეუერთოთ ადაპტერი აკუმულატორს (BAX1300 მოდელის შემთხვევაში). ■ შეეცადეთ შეცვალოთ ადაპტერი. ■ შეეცადეთ დამუხტოთ სხვა აკუმულატორი. ■ გამოაერთეთ დამტენი ხელსაწყო შტეფსელიდან და დაელოდეთ სანამ წითელი შუქდიოდი არ ჩაქრება, შემდეგ ხელახლა მიუერთეთ დამტენი ქსელს.
დამტენი არ მუშაობს და შუქდიოდი 1 წითლად ანათებს.	აკუმულატორი ძალიან ცხელი ან ცივია.	მიეცით საშუალება აკუმულატორის ტემპერატურას დაუბრუნდეს ნორმალურ მნიშვნელობას. დამუხტვა დაიწყება, როცა აკუმულატორი დაუბრუნდება 3°C–57°C ტემპერატურულ დიაპაზონს (3°C–42°C BAX1300 მოდელის შემთხვევაში, 3°C -50°C for BA2240T).

გარანტია

EGO-ს გარანტიის მომსახურების წესი

გთხოვთ ეწვიოთ ვებ-გვერდს egopowerplus.com, რათა მიიღოთ EGO-ს საგარანტო მომსახურების სრული დადგენილებები და პირობები.

KA

PROČITAJTE SVA UPUTSTVA!



PROČITAJTE PRIRUČNIK ZA RUKOVAOČA

⚠ Rezidualni rizik! Osobe sa elektronskim uređajima, poput pejsmejkera, treba da konsultuju svog lekara (svoje lekare) pre upotrebe ovog proizvoda. Rukovanje električnom opremom u neposrednoj blizini srčanog pejsmejkera moglo bi da izazove smetnje ili otkazivanje pejsmejkera.

⚠ UPOZORENJE: Da bi se osigurala sigurnost i pouzdanost, sve popravke treba da radi kvalifikovani servisni tehničar.

⚠ UPOZORENJE: Ovaj aparat mogu da koriste deca uzrasta 8 godina i starija i osobe sa smanjenim fizičkim, senzornim ili mentalnim sposobnostima ili sa nedostatkom iskustva i znanja, ako su pod nadzorom ili ako su dobili uputstva za upotrebu aparata na bezbedan način i ako shvataju moguće opasnosti. Deca se ne smeju igrati aparatom. Čišćenje i korisničko održavanje ne smeju da rade deca bez nadzora.

SIGURNOSNI SIMBOLI

Svrha sigurnosnih simbola je da vam skrenu pažnju na moguće opasnosti. Sigurnosni simboli i objašnjenja uz njih zaslužuju vašu pognu pažnju i shvatanje. Simboli upozorenja, sami po sebi, ne eliminišu nikakve opasnosti. Uputstva i upozorenja koja oni daju nisu zamena za odgovarajuće mere sprečavanja nezgoda.

⚠ UPOZORENJE: Obavezno pročitajte i shvatite sva sigurnosna uputstva u ovom Priručniku za rukovaoca, obuhvatajući i sve simbole sigurnosnih upozorenja poput „OPASNOST“, „UPOZORENJE“ i „OPREZ“ pre korišćenja ovog alata. Nepridržavanje svih dole navedenih uputstava može da dovede do strujnog udara, požara i/ili ozbiljne telesne povrede.

SIGURNOSNA UPUTSTVA

Ova stranica prikazuje i opisuje sigurnosne simbole koji mogu da se pojave na ovom proizvodu. Pročitajte, shvatite i sledite sva uputstva na mašini pre no što pokušate da je sklopite i da rukujete njom.

SR

	Sigurnosno upozorenje	Mere opreza koje se tiču vaše sigurnosti
	Pročitajte Priručnik za rukovaoca	Da bi smanjio rizik od povreda, korisnik mora pročitati priručnik za rukovaoca.
	Upotreba u zatvorenom prostoru	Ovaj uređaj koristite samo u zatvorenom prostoru
	Konstrukcija klase II	Dvostruko izolovana konstrukcija
T6,3A 	Osigurači	Minijaturni osigurač sa kašnjenjem
	CE	Ovaj proizvod je u skladu sa primenljivim EC direktivama.
	UKCA	Ovaj proizvod je u skladu sa primenljivim zakonima u UK.
	WEEE	Otpadne električne proizvode ne bi trebalo odlagati zajedno sa otpadom iz domaćinstva. Odnosite ih u ovlašćeni pogon za reciklažu.
V	Volt	Voltaža
A	Amperi	Struja
Hz	Herc	Frekvencija (ciklusi u sekundi)
W	Vat	Snaga
min	Minuti	Vreme
	Naizmjenična struja	Tip struje
	Jednosmerna struja	Tip ili karakteristika struje

⚠ UPOZORENJE: Pročitajte i shvatite sva uputstva. Nepridržavanje svih dole navedenih uputstava može da dovede do strujnog udara, požara i/ili ozbiljne telesne povrede.

BEZBEDNOST NA RADNOM PODRUČJU

- **Održavajte radno područje čistim i dobro osvetljenim.** Na pretrpanim ili mračnim područjima su veće šanse da dođe do nezgoda.
- **Ne koristite EGO punjač u eksplozivnim okruženjima, kao na primer u prisustvu zapaljivih tečnosti, gasova ili prašine.** Punjač bi mogao da stvori varnicu koja može da zapali prašinu ili isparenja.

ELEKTRIČNA BEZBEDNOST

- **Utikač električnog alata mora odgovarati utičnici.** Nikada ne modifikujte utikač ni na koji način. Ne koristite adapterske utikače sa uzemljenim električnim alatom. Nemodifikovani utikači i odgovarajuće utičnice će

smanjiti rizik od strujnog udara.

- **Ne izlažite punjač kiši ili mokrim uslovima.** Voda koja uđe u punjač povećava rizik od strujnog udara.
- **Nemojte zloupotrebjavati kabl.** Nikada ne koristite kabl za nošenje, vučenje ili isključivanje punjača iz utičnice. Čuvajte kabl podalje od toplote, ulja, oštrih ivica ili pokretnih delova. Oštećen ili upetljan kabl povećava rizik od strujnog udara.
- **Izbegavajte kontakt delova tela sa uzemljenim površinama, poput cevi, radijatora, šporeta i frižidera.** Postoji povećan rizik od strujnog udara ako je vaše telo uzemljeno.
- **Kada koristite električni alat na otvorenom prostoru, koristite produžni kabl pogodan za korišćenje na otvorenom prostoru.** Upotreba kabla pogodnog za korišćenje na otvorenom prostoru smanjuje rizik od strujnog udara.
- EGO punjač može da puni EGO litijum-jonske baterije navedene ispod:

PUNJAČ	BATERIJE
CH5500E	BA1120E, BA1400, BA2240E, BA2240T, BA2242T, BA2800, BA3360, BA4200, BA1400T, BA2800T, BA4200T, BA5600T, BA6720TT

SERVIS

- **Odnosite punjač na servisiranje kod kvalifikovanog servisera koji će koristiti samo identične rezervne delove.** To će osigurati da bezbednost punjača bude održana.
- **Tokom servisiranja punjača, koristite samo identične rezervne delove. Pratite uputstva u odeljku Održavanje u ovom priručniku.** Upotreba neovlašćenih delova ili nepridržavanje uputstava za održavanje mogu da dovedu do rizika od strujnog udara ili povrede.

SIGURNOSNA PRAVILA ZA PUNJAČ

⚠ OPREZ: Da biste smanjili rizik od strujnog udara ili oštećenja punjača i baterije, punite samo one litijum-jonske punjive baterije koje su specifično navedene na etiketi punjača. Drugi tipovi baterija mogu da eksplodiraju, izazivajući telesne povrede ili imovinsku štetu.

Ovaj uređaj nije predviđen da ga koriste osobe (obuhvatajući i decu) sa smanjenim fizičkim, senzornim ili mentalnim sposobnostima ili sa nedostatkom iskustva i znanja, osim ako ih ne nadzire ili upućuje u upotrebu uređaja osoba odgovorna za njihovu bezbednost.

- **Pre korišćenja punjača baterija, pročitajte** sva uputstva i napomene upozorenja u ovom priručniku i na punjaču baterija, na bateriji i proizvodu koji koristi bateriju da biste sprečili zloupotrebu proizvoda i

eventualne povrede ili štetu.

- **Ne koristite punjač na otvorenom prostoru i ne izlažite ga mokrim ili vlažnim uslovima.** Voda koja uđe u punjač povećava rizik od strujnog udara.
- **Ne rukujte punjačem, obuhvatajući i utikač i terminale punjača, mokrim rukama.**
- **Upotreba dodatka koji ne preporučuje ili prodaje proizvođač punjača baterija može da dovede do rizika od požara, strujnog udara ili telesnih povreda.**
- **Punite samo punjačem koji navodi proizvođač.** Punjač koji je prikladan za jedan tip baterije može da stvori opasnost od požara kad se koristi sa drugom baterijom.
- **Nemojte zloupotrebjavati kabl ili punjač.** Nikad ne koristite kabl za nošenje punjača. Ne vucite kabl punjača da biste izvukli utikač iz utičnice. Može da dođe do oštećenja kabla ili punjača i do stvaranja opasnosti od strujnog udara. Odmah zamenite oštećene kablove.
- **Vodite računa da kabl bude smešten tako da se po njemu ne gazi, da se preko njega ne sapliće, da ne dolazi u kontakt sa oštrim ivicama ili pokretnim delovima ili da na drugi način ne bude izložen oštećenjima ili naprezanju.** To će smanjiti rizik od nehotičnih padova, koji bi mogli da izazovu ozlede i oštećenja kabla, što bi moglo onda da dovede do strujnog udara.
- **Držite kabl i punjač dalje od toplote da biste sprečili oštećenja kućišta ili unutrašnjih delova.**
- **Nemojte dozvoliti da benzin, ulja, proizvodi na bazi benzina itd. dođu u kontakt sa plastičnim delovima.** Ti materijali sadrže hemikalije koje mogu da oštete, oslabe ili unište plastiku.
- **Ne rukujte punjačem sa oštećenim kablom ili utikačem, koji bi mogao da izazove kratak spoj i strujni udar.** Ako je punjač oštećen, popravite ga ili zamenite kod ovlašćenog servisnog tehničara u EGO servisnom centru.
- **Ne rukujte punjačem ako je primio oštar udarac, ako je pao ili ako je oštećen na bilo koji drugi način.** Odnosite punjač ovlašćenom servisnom tehničaru na električnu proveru da biste utvrdili da li je u dobrom radnom stanju.
- **Ne rasklapajte punjač.** Odnosite ga ovlašćenom servisnom tehničaru kad bude potrebno servisiranje ili popravka. Nepravilno sklapanje može da dovede do rizika od strujnog udara ili požara.
- **Izvučite punjač iz električne utičnice pre no što pokušate bilo kakvo održavanje ili čišćenje, da biste smanjili rizik od strujnog udara.**

SR

- **Odvajajte punjač od izvora napajanja kad nije u upotrebi.** To će smanjiti rizik od strujnog udara ili oštećenja punjača ako metalni predmeti upadnu u otvor. To će pomoći i da se spreči oštećenje punjača tokom skoka napona.
- **Rizik od strujnog udara.** Ne dodirujte neizolovani deo izlaznog konektora ili neizolovani terminal baterije.
- **Sačuvajte ovo uputstvo.** Često ga pregledajte i koristite ga da uputite druge koji mogu da koriste ovaj alat. Ako pozajmite ovaj alat nekom drugom, pozajmite i ovo uputstvo da bi se sprečila pogrešna upotreba proizvoda i eventualna povreda.

VAŽNA SIGURNOSNA UPUTSTVA

- **Sačuvajte ovo uputstvo.** Ovaj priručnik sadrži važna sigurnosna i radna uputstva za 56 V brzi punjač CH5500E.
- **Pre korišćenja punjača baterija, pročitajte sva uputstva i napomene upozorenja na punjaču baterija, na bateriji i proizvodu koji koristi bateriju.**

⚠ UPOZORENJE: Kad koristite električne aparate, uvek treba da poštujuete osnovne mere opreza, obuhvatajući sledeće:

- Da bi se smanjio rizik od povreda, neophodan je pomni nadzor kad se aparat koristi u blizini dece.
- Koristite samo dodatke koje preporučuje ili prodaje proizvođač.
- Ne koristite na otvorenom prostoru.
- Za prenosive aparate – da biste smanjili rizik od strujnog udara, ne stavljajte punjač u vodu ili neku drugu tečnost. Ne stavljajte i ne skladištite aparat na mestu sa kog može da padne ili da bude svučen u kadu ili umivaonik.

⚠ OPREZ: Da biste smanjili rizik od povreda, puniti samo litijum-jonske punjive baterije. Drugi tipovi baterija mogu da eksplodiraju, izazivajući telesne povrede ili imovinsku štetu.

SPECIFIKACIJE

Ulaz punjača	220-240 V~50 Hz, 550 W
Izlaz punjača	5-8 A 56 V 
Vreme punjenja	Približno 25 minuta za BA1120E bateriju Približno 30 minuta za BA1400/BA2240E/ BA1400T/BA2240T/BA2242T bateriju Približno 40 minuta za BA2800 bateriju Približno 45 minuta za BA3360 bateriju Približno 60 minuta za BA4200 bateriju Približno 190 minuta za BAX1300 bateriju Približno 70 minuta za BA5600T bateriju Približno 90 minuta za BA6720T bateriju

SR

Optimalna temperatura punjenja	5 °C-40 °C
Težina punjača	1.9 kg

OPIS

UPOZNAJTE SVOJ PUNJAČ (SLIKA A)

1. Prorez za montiranje
2. Otvor za vazdušno hlađenje
3. LED indikatori
4. Električni kontakti
5. Meka drška
6. Rupa za montiranje na zid

RUKOVANJE

KAKO PUNITI BATERIJU

⚠ UPOZORENJE: Ne koristite punjač na otvorenom prostoru i ne izlažite ga mokrim ili vlažnim uslovima. Voda koja uđe u punjač povećava rizik od strujnog udara.

NAPOMENA: Litijum-jonske baterije se isporučuju delimično napunjene. Pre prve upotrebe, potpuno napunite bateriju.

1. Spojite punjač na izvor napajanja (220-240 V ~, 50 Hz). Četiri LED indikatora punjenja će kratko svetleti zeleno, ukazujući da punjač radi pravilno.
2. Poravnajte izdignuta rebra na bateriji/adapteru sa montažnim prorezima na punjaču; gumite bateriju/adapter dole na punjač (slika B).

NAPOMENA: Ako puniti BAX1300 bateriju, prvo spojite adapter na bateriju.

3. Punjač će komunicirati sa baterijom da bi procenio stanje baterije.
4. Kad se baterija puni, četiri LED indikatora punjenja na punjaču će svetleti zeleno redosledom sleva nadesno, da bi pokazali nivo punjenja; pogledajte sliku C. Indikator napajanja na bateriji (BA1120E, BA1400, BA2240E, BA2800, BA3360, BA4200) će bljeskati redosledom: crveno, narandžasto i zeleno, ili će LCD indikator napajanja na BAX1300 bateriji prikazati numerički kapacitet punjenja. Poslednji segment indikatora sa 5 LED lampica na bateriji će bljeskati zeleno (za BA1400T, BA2240T, BA2242T, BA2800T, BA4200T, BA5600T, BA6720T). Ventilator u punjaču neprekidno radi da bi hladio bateriju.
5. Kad baterija bude potpuno napunjena, LED indikatori punjenja će prestati da se smenjuju i neprekidno će svetleti zeleno. Indikator napajanja na bateriji će se isključiti. Sačekajte da se ventilator za hlađenje zaustavi, uklonite bateriju/adapter sa punjača i odvojite punjač od izvora napajanja.

6. Baterija će se potpuno napuniti ako ostane na punjaču ali neće se previše napuniti. Ako baterija (osim BAX1300) ostane na punjaču mesec dana ili duže, izvršiće samoodržavanje i pasti na 30% kapaciteta punjenja. Ako dođe do toga, ponovo instalirajte bateriju na punjač da biste je potpuno napunili.

Opis delova sa slike C pogledajte ispod:

C-1	LED 1	C-3	LED 3
C-2	LED 2	C-4	LED 4

NAPOMENA:

- Značajno smanjeno vreme rada nakon što je baterija potpuno napunjena ukazuje da je baterija blizu kraja svog radnog veka i da se mora zameniti.
- Punjač se može zagrevati tokom punjenja. To je deo normalnog rada punjača. Puniti na dobro provetrenom mestu.

LED FUNKCIJE PUNJAČA

ZA BA1120E, BA1400, BA2240E, BA2800, BA3360, BA4200

LED INDIKATOR	BATERIJA	LED LAMPICE NA PUNJAČU				INDIKATOR NAPAJANJA NA BATERIJI	NAPAJANJE BATERIJE	AKCIJA
		LED1	LED2	LED3	LED4			
	Defektno	Bljeska crveno ili isključeno	Isključeno	Isključeno	Isključeno	Isključeno	—	Baterija ili punjač su defektni.
	Hladna/vruća baterija	Svetli crveno	Isključeno	Isključeno	Isključeno	Isključeno	—	Punjenje će početi kad se baterija vrati na 3-57 °C
	Punjenje	Bljeska zeleno	Isključeno	Isključeno	Isključeno	Bljeska crveno, narandžasto i zeleno naizmenično	Manje od 25%	Punjenje
		Svetli zeleno naizmenično		Isključeno	Isključeno		25% do 50%	Punjenje
		Svetli zeleno naizmenično			Isključeno		50% do 75%	Punjenje
		Svetli zeleno naizmenično					75% do 90%	Punjenje
	Potpuno napunjeno	Svetli zeleno neprekidno				Isključeno	90% do 100%	Punjenje je završeno. Punjenje održavanja.
—	Samoodržavanje	Sporadično brzo zeleno bljeskanje				Isključeno	Približno 30%	Baterija vrši samoodržavanje ili je u režimu spavanja. Ponovo instalirajte bateriju na punjač da biste je potpuno napunili.

SR

LED INDIKATOR	BATERIJA	LED LAMPICE NA PUNJAČU				5-LED INDIKATOR SA 5 LED LAMPICA NA BATERJI	NAPAJANJE BATERIJE	AKCIJA
		LED1	LED2	LED3	LED4			
	Defektno	Bljeska crveno ili isključeno	Isključeno	Isključeno	Isključeno	Isključeno	—	Baterija ili punjač su defektni.
	Hladna/vruća baterija	Svetli crveno	Isključeno	Isključeno	Isključeno	Isključeno	—	Punjenje će početi kad se baterija vrati na 3-57°C (ZA BBA1400T, BA2242T, BA2800T, BA4200T, BA5600T, BA6720T)/3-50°C(ZA BA2240T).
	Punjenje	Bljeska zeleno	Isključeno	Isključeno	Isključeno	Poslednji segment bljeska zeleno, ostatak je neprekidno zelen	Manje od 25%	Punjenje
		Svetli zeleno naizmjenično		Isključeno	Isključeno		25% do 50%	Punjenje
		Svetli zeleno naizmjenično			Isključeno		50% do 75%	Punjenje
		Svetli zeleno naizmjenično					75% do 90%	Punjenje
	Potpuno napunjeno	Svetli zeleno neprekidno				Isključeno	90% do 100%	Punjenje je završeno. Punjenje održavanja.
—	Samoodržavanje	Sporadično brzo zeleno bljeskanje				Isključeno	Približno 30%	Baterija vrši samoodržavanje ili je u režimu spavanja. Ponovo instalirajte bateriju na punjač da biste je potpuno napunili.

PUNJENJE VRUĆE ILI HLADNE BATERIJE

Ako je baterija van normalnog temperaturnog opsega, LED1 će svetleti crveno. Kad se baterija ohladi na približno 57 °C (42 °C za BAX1300, 50°C for BA2240T) ili se zagreje na više od 3 °C, punjač će automatski da počne punjenje a 4 LED lampice će se normalno smenjavati.

DEFEKтна BATERIJA ILI PUNJAČ

Ako punjač detektuje problem, LED1 će početi da bljeska crveno ili će se sve LED lampice isključiti.

ZA PUNJENJE BA1120E, BA1400, BA2240E, BA2242T, BA2800, BA3360, BA4200, BA1400T, BA2240T, BA2800T, BA4200T, BA5600T, BA6720T

1. Ako se registruje kao defektno, izvadite i ponovo

umetnite bateriju u punjač. Ako LED lampice i dalje pokazuju „defektno“ po drugi put, pokušajte da puniti drugačiju bateriju.

2. Ako se drugačija baterija puni normalno, odložite defektnu bateriju na otpad (pogledajte uputstva u priručniku za bateriju).
3. Ako drugačija baterija takođe pokaže „defektno“, isključite punjač iz utičnice i sačekajte da se bljeskanje LED1 lampice isključi a zatim ponovo spojite utikač na izvor napajanja. Ako LED1 na punjaču i dalje prikazuje defektno stanje, punjač je možda defektan.

ZA PUNJENJE BAX1300

1. Ako se registruje kao defektno, izvadite bateriju i ponovo je spojite sa punjačem pomoću adaptera. Ako LED lampice

SR
210

BRZI PUNJAČ OD 56 VOLTI — CH5500E

i dalje pokazuju „defektno“ po drugi put, pokušajte da zamenite novim adapterom ili da puniti drugačiju bateriju.

2. Ako se drugačiji adapter ili baterija pune normalno, odložite defektni adapter ili bateriju na otpad (pogledajte uputstva u priručniku za bateriju).
3. Ako zamenjivanje baterije i adaptera zajedno takođe pokaže „defektno“, isključite punjač iz utičnice i sačekajte da se bljeskanje LED1 lampice isključi a zatim ponovo spojite utikač na izvor napajanja. Ako LED1 na punjaču i dalje prikazuje defektno stanje, punjač je možda defektan.

RUPE ZA MONTAŽU NA ZID

Punjač ima rupe za vešanje za praktično skladištenje (slika A-6). Instalirajte vijke na zid sa razmakom od 76 mm. Koristite vijke dovoljno jake da drže ukupnu težinu punjača i baterije (približno maksimalno 4,1 kg).

ODRŽAVANJE

⚠ UPOZORENJE: Da biste izbegli ozbiljne telesne povrede, uvek izvadite bateriju iz alata kad radite čišćenje ili održavanje.

⚠ UPOZORENJE: Tokom servisiranja, koristite samo identične EGO rezervne delove. Upotreba bilo kakvih drugih delova može da dovede do opasnosti ili da izazove oštećenje proizvoda.

⚠ UPOZORENJE: Ne preporučuje se korišćenje komprimovanog suvog vazduha kao metoda čišćenja punjača. Ako je čišćenje komprimovanim vazduhom jedini metod koji možete da primenite, uvek nosite sigurnosne naočare sa bočnim štitičnicima kad čistite alat. Ako je rad prašnjav, nosite i masku za prašinu.

⚠ UPOZORENJE: Ako je kabl napajanja oštećen, mora ga zameniti proizvođač, njegov serviser ili slično kvalifikovana osoba, da bi se izbegle opasnosti.

OPŠTE ODRŽAVANJE

Izbegavajte korišćenje rastvarača kada čistite plastične delove. Većina plastike je podložna oštećenjima od raznih tipova komercijalnih rastvarača i može se oštetiti njihovom upotrebom. Koristite čiste krpe da uklonite zemlju, prašinu, ulje, masnoću itd.

⚠ UPOZORENJE: Nemojte ni u kom trenutku dozvoliti da kočiona tečnost, benzin, proizvodi na bazi benzina, penetraciono ulje itd. dođu u kontakt sa plastičnim delovima. Hemikalije mogu da oštete, oslabe ili unište plastiku, što može da dovede do ozbiljne telesne povrede.

⚠ UPOZORENJE: Tokom servisiranja, koristite samo identične EGO rezervne delove. Upotreba bilo kakvih drugih delova može da dovede do opasnosti ili da izazove oštećenje proizvoda. Da bi se osigurala sigurnost i pouzdanost, sve popravke treba da radi kvalifikovani servisni tehničar u EGO servisnom centru.

ZAŠTITA ŽIVOTNE SREDINE



Ne odlažite električnu opremu, punjače baterija i baterije/punjive baterije u kućni otpad!

Prema evropskom zakonu 2012/19/EU, električna i elektronska oprema koja više nije upotrebljiva, te prema evropskom zakonu 2006/66/EC, defektne ili ispražnjene baterije, moraju se prikupljati zasebno.

Ako se električni aparati odlažu na deponije ili đubrišta, opasne supstance mogu da isticu u podzemne vode i dospesu u lanac ishrane, nanoseći štetu vašem zdravlju i dobrobiti.

REŠAVANJE PROBLEMA

PROBLEM	UZROK	REŠENJE
Punjač ne radi. LED1 bljeska crveno ili su sve LED lampice isključene.	Baterija, adapter ili punjač su defektni ili je veza između baterije, adaptera i punjača loša.	<ul style="list-style-type: none">■ Pokušajte da izvadite i ponovo umetnete bateriju/adapter u punjač.■ Pokušajte da izvadite i spojite adapter na bateriju (za BAX1300).■ Pokušajte da zamenite adapter.■ Pokušajte da puniti drugačiju bateriju.■ Isključite punjač iz utičnice i sačekajte da se crvena LED lampica isključi a zatim ponovo spojite utikač na izvor napajanja.
Punjač ne radi a LED1 svetli crveno.	Baterija je prevruća ili prehladna.	Ostavite bateriju da dosegne normalnu temperaturu. Punjenje će početi kad se baterija vrati na 3-57 °C (3-42 °C za BAX1300, 3°C -50°C for BA2240T, 3°C -50°C for BA2240T).

GARANCIJA**EGO POLITIKA GARANCIJE**

Posetite veb-lokaciju egopowerplus.com za potpune uslove i odredbe EGO politike garancije.

PROČITAJTE UPUTSTVO U CIJELOSTI!



PROČITAJTE KORISNIČKI PRIRUČNIK.

⚠️ Preostale opasnosti! Osobe s elektroničkim uređajima poput srčanih elektrostimulatora prije upotrebe ovog proizvoda trebaju se posavjetovati sa svojim ljekarom. Rad električne opreme u neposrednoj blizini srčanih elektrostimulatora može uzrokovati smetnju ili kvar srčanog elektrostimulatora.

⚠️ UPOZORENJE! Radi osiguranja sigurnosti i pouzdanosti, sve popravke treba obavljati kvalifikovani servisni tehničar.

⚠️ UPOZORENJE! Ovaj uređaj mogu upotrebljavati djeca starosne dobi od 8 godina i starija i osobe ograničenih fizičkih, čulnih ili mentalnih sposobnosti ili nedovoljnog iskustva i znanja ako su pod nadzorom ili ako su upućeni u siguran način upotrebe aparata te ako su razumjeli moguće opasnosti. Djeca se ne smiju igrati uređajem. Čišćenje i održavanje koje obavlja korisnik ne smiju obavljati djeca bez nadzora.

SIGURNOSNI SIMBOLI

Svrha sigurnosnih simbola je skretanje pažnje na moguće opasnosti. Sigurnosni simboli i njihova objašnjenja zahtijevaju vašu potpunu pažnju i razumijevanje. Sami simboli upozorenja sami po sebi ne isključuju opasnost. Uputstva i upozorenja koja pružaju nisu zamjena za propisne mjere za prevenciju nesreća.

⚠️ UPOZORENJE! Prije upotrebe ovog alata pobrinite se da sva sigurnosna uputstva u ovom korisničkom priručniku, uključujući sve sigurnosne simbole kao što su "OPASNOST", "UPOZORENJE" i "OPREZ" pročitate s razumijevanjem. Zanemarivanje svih uputstava navedenih u nastavku može rezultirati strujnim udarom, požarom i/ili teškim tjelesnim povredama.

SIGURNOSNA UPUTSTVA

Na ovoj stranici slikovno su prikazani i objašnjeni sigurnosni simboli koji se mogu pojaviti na ovom proizvodu. Prije pokušaja sastavljanja i rukovanja, s razumijevanjem pročitate sva uputstva na proizvodu i pridržavajte ih se.

	Simbol upozorenja	Mjere opreza koje se odnose na vašu sigurnost
	Pročitajte korisnički priručnik.	Radi smanjenja opasnosti od povreda, korisnik treba pročitati korisnički priručnik.

	Upotreba u zatvorenom prostoru	Ovaj uređaj upotrebljavajte samo u zatvorenom prostoru.
	Izvedba klase II	Konstrukcija s dvostrukom izolacijom.
T6, 3A 	Osigurači	Minijaturni osigurač s vremenskom odgodom
	CE	Ovaj proizvod je u skladu sa primjenjivim EC direktivama.
	UKCA	Ovaj proizvod je u skladu sa primjenjivim zakonima u UK.
	WEEE	Otpadne električne proizvode ne bi trebalo odlagati zajedno sa otpadom iz domaćinstva. Odnosite ih u ovlašteni pogon za reciklažu.
V	Volt	Napon
A	Amper	Struja
Hz	Herc	Frekvencija (ciklusi u sekundi)
W	Vat	Snaga
min	Minute	Vrijeme
	Izmjenična struja	Vrsta struje
	Istosmjerna struja	Vrsta ili karakteristike struje

⚠️ UPOZORENJE! S razumijevanjem pročitate sva uputstva. Zanemarivanje svih uputstava navedenih u nastavku može rezultirati strujnim udarom, požarom i/ili teškim tjelesnim povredama.

SIGURNOST RADNOG PODRUČJA

- **Radno područje održavajte čistim i dobro osvijetljenim.** Pretrpana ili mračna područja izazivaju nesreće.
- **Punjač proizvođača EGO nemojte upotrebljavati u eksplozivnim okruženjima, kao na primjer u prisutnosti zapaljivih tekućina, plinova ili prašine.** Punjač može stvoriti iskre koje mogu zapaliti prašinu ili isparenja.

ELEKTRIČNA SIGURNOST

- **Utikači električnog alata moraju odgovarati utičnici.** Nemojte modifikovati utikač ni na koji način. Nemojte upotrebljavati utikače adaptera s uzemljenim električnim alatima. Nemodifikovani utikači i odgovarajuće utičnice smanjit će rizik od strujnog udara.
- **Nemojte izlagati punjač kiši ili mokrim uslovima.** Prodirljanjem vode u punjač povećat će opasnost od strujnog udara.

BS

- **Nemojte nepropisno upotrebljavati kabel.** Kabel nemojte nikada upotrebljavati za nošenje, povlačenje ili isključivanje punjača iz strujnog napajanja. Kabel držite podalje od topline, ulja, oštih rubova ili pokretnih dijelova. Oštećeni ili isprepleteni kabeli povećavaju rizik od strujnog udara.
- **Izbjegavajte kontakt tijela s uzemljenim površinama, kao što su slavine, radijatori, peći i frižideri.** Postoji povećan rizik od strujnog udara ako je vaše tijelo uzemljeno.
- **Kada električnim alatom radite na otvorenom, upotrebljavajte produžni kabel prikladan za upotrebu na otvorenom.** Upotreba kabela prikladnog za upotrebu na otvorenom smanjuje rizik od strujnog udara.
- EGO punjač može puniti EGO komplete litij-ionskih baterija navedene u nastavku:

PUNJAČ	KOMPLETI BATERIJA
CH5500E	BA1120E, BA1400, BA2240E, BA2240T, BA2242T, BA2800, BA3360, BA4200, BA1400T, BA2800T, BA4200T, BA5600T, BA6720T

SERVISIRANJE

- **Servisiranje punjača prepustite kvalifikovanom osoblju za popravak koje upotrebljava samo identične zamjenske dijelove.** Time će se osigurati održavanje sigurnosti punjača.
- **Kada obavljate radove servisiranja na punjaču, upotrebljavajte samo identične zamjenske dijelove.** Pratite uputstva u odjeljku Održavanje u ovom priručniku. Upotrebom neodobrenih dijelova ili zanemarivanjem uputstava za održavanje može se izazvati opasnost od strujnog udara ili povreda.

SIGURNOSNE NAPOMENE ZA PUNJAČ

⚠ OPREZ! Radi smanjenja rizika od strujnog udara ili oštećenja punjača i baterije puniti samo litij-ionske punjive baterije posebno naznačene na naljepnici punjača. Drugi tipovi baterija mogu se rasprsnuti i uzrokovati tjelesne povrede ili oštećenje.

Ovaj uređaj nije predviđen da ga upotrebljavaju osobe (uključujući djecu) ograničenih fizičkih, čulnih ili mentalnih sposobnosti ili nedovoljnog iskustva i znanja, osim ako ih nadzire osoba odgovorna za njihovu sigurnost ili ako ih je uputila u način upotrebe uređaja.

- **Prije upotrebe punjača baterija u cijelosti pročitajte uputstva i upozorenja u ovom priručniku i na punjaču baterija,** bateriji i proizvodu koji upotrebljava bateriju kako biste izbjegli neispravnu upotrebu proizvoda i moguće povrede ili oštećenja.
- **Punjač nemojte upotrebljavati na otvorenom ili ga izlagati mokrim ili vlažnim uslovima.** Prodiranjem

vode u punjač povećat će opasnost od strujnog udara.

- **Punjačem, uključujući utikač punjača i priključke punjača, nemojte rukovati mokrim rukama.**
- **Upotreba priključka koji nije preporučio ili prodao proizvođač punjača baterija može rezultirati rizikom od požara, strujnog udara ili tjelesnih povreda.**
- **Punjenje obavljajte samo s punjačem kojeg je naveo proizvođač.** Punjač koji je prikladan za jedan tip kompleta baterija može stvoriti rizik od požara ako ga se upotrebljava s drugim kompletom baterija.
- **Nemojte nepropisno upotrebljavati kabel ili punjač.** Kabel nemojte nikada upotrebljavati za nošenje punjača. Utikač nemojte izvlačiti iz utičnice povlačenjem za kabel punjača. To može rezultirati oštećenjem kabela ili punjača i izazvati opasnost od strujnog udara. Odmah zamijenite oštećene kabele.
- **Vodite računa da kabel postavite tako da ne postoji mogućnost hodanja po kabeleu, spoticanja o kabel, kontakta kabela s oštrim rubovima ili pokretnim dijelovima ili da kabel ne bude predmetom oštećenja ili opterećenja.** Time će se smanjiti rizik od slučajnih padova koji mogu rezultirati povredama i oštećenjem kabela, što opet može rezultirati strujnim udarom.
- **Kabel i punjač držite podalje od topline kako biste spriječili oštećenje kućišta ili unutrašnjih dijelova.**
- **Nemojte dozvoliti da benzin, ulja, proizvodi na bazi nafte i sl., dođu u kontakt s plastičnim dijelovima.** Ovi materijali sadrže hemikalije koje mogu oštetiti, oslabiti ili uništiti plastiku.
- **Nemojte upotrebljavati punjač ako je kabel ili utikača oštećen jer to može rezultirati kratkim spojem i strujnim udarom.** U slučaju oštećenja, popravak ili zamjenu punjača prepustite ovlaštenom servisnom tehničaru servisnog centra proizvođača EGO.
- **Nemojte upotrebljavati punjač ako je pretrpio jak udar, ako je pao ili ako je oštećen na drugi način.** Odnosite ga na pregled ovlaštenom servisnom tehničaru kako bi utvrdio je li punjač u dobrom radnom stanju.
- **Nemojte rastavljati punjač.** Ako je punjač potrebno servisirati ili popraviti, odnesite ga ovlaštenom servisnom tehničaru. Neispravno ponovno sastavljanje može rezultirati rizikom od strujnog udara i požara.
- **Prije održavanja ili čišćenja, punjač isključite iz električne utičnice da smanjite rizik od strujnog udara.**
- **Kada ga ne upotrebljavate, punjač isključite iz strujnog napajanja.** Time će se smanjiti rizik od strujnog udara ili oštećenja punjača ako metalni predmeti upadnu u otvor. To će pomoći i u sprečavanju oštećenja punjača tokom prenaponskog udara.
- **Opasnost od strujnog udara!** Nemojte dodirivati neizolirani dio izlaznog priključka ili neizolirani baterijski kontakt.

- **Sačuvajte ova uputstva.** Uputstvima se koristite često i koristite ih za upućivanje drugih osoba koje mogu koristiti ovaj alat. Ako ovaj alat nekom posudite, priložite i ovo uputstvo radi sprečavanja nepropisne upotrebe proizvoda i mogućih povreda.

VAŽNA SIGURNOSNA UPUTSTVA

- **Sačuvajte ova uputstva.** Ovaj priručnik sadrži važne sigurnosne napomene i uputstva za upotrebu za brzi punjač CH5500E od 56 V proizvođača EGO.
- **Prije upotrebe punjača baterija u cijelosti pročitajte uputstva i upozorenja u ovom priručniku i na punjaču baterija, bateriji i proizvodu koji upotrebljava bateriju.**

⚠ UPOZORENJE! Pri upotrebi električnih uređaja potrebno je uvijek pridržavati se osnovnih mjera opreza uključujući sljedeće:

- Radi smanjenja rizika od povreda, potreban je neposredan nadzor kada se uređaj upotrebljava u blizini djece.
- Upotrebljavajte samo priključke koje je preporučio ili prodao proizvođač.
- Nemojte upotrebljavati uređaj na otvorenom.
- Za mobilni uređaj – Radi smanjenja rizika od strujnog udara nemojte stavljati punjač u vodu ili drugu tekućinu. Nemojte stavljati ili skladištiti uređaj na mjestima gdje može pasti ili gdje ga se može povući u kadu ili sudoper.

⚠ OPREZ! Radi smanjenja rizika od povreda puniti samo litij-ionske punjive baterije. Drugi tipovi baterija mogu se rasprsnuti i uzrokovati tjelesne povrede ili oštećenje.

TEHNIČKI PODACI

Ulazna struja punjača	220-240 V~50 Hz, 550 W
Izlazna struja punjača	5-8 A 56 V
Vrijeme punjenja	Otprilike 25 minuta za komplet baterija BA1120E Otprilike 30 minuta za komplet baterija BA1400/BA2240E/BA1400T/BA2240T/BA2242T Otprilike 40 minuta za komplet baterija BA2800/BA2800T Otprilike 45 minuta za komplet baterija BA3360 Otprilike 60 minuta za komplet baterija BA4200/BA4200T Otprilike 190 minuta za komplet baterija BAX1300 Otprilike 70 minuta za komplet baterija BA5600T Otprilike 90 minuta za komplet baterija BA6720T

Optimalna temperatura punjenja	5 °C-40 °C
Masa punjača	1,9 kg

OPIS

UPOZNAJTE SVOJ PUNJAČ (SL. A)

1. Montažni utor
2. Priklučak za zrak za hlađenje
3. LED svjetlosni indikatori
4. Električni kontakti
5. Mekani rukohvat
6. Provrt za zidnu montažu

RAD

NAČIN PUNJENJA KOMPLETA BATERIJA

⚠ UPOZORENJE! Punjač nemojte upotrebljavati na otvorenom ili ga izlagati mokrim ili vlažnim uslovima. Prodiranjem vode u punjač povećat će opasnost od strujnog udara.

NAPOMENA! Kompleti litij-ionskih baterija isporučuju se djelimično napunjeni. Prije prve upotrebe potpuno napunite komplet baterija.

1. Priključite punjač na strujno napajanje (220 - 240 V ~, 50 Hz). Četiri LED svjetlosna indikatora punjenja kratko će zasvijetliti zeleno ukazujući na ispravan rad punjača.
2. Poravnajte izbočene kontakte kompleta baterija/adaptora s montažnim utorima u punjaču; gurnite komplet baterija/adaptora prema dolje na punjač (sl. B).

NAPOMENA! Ako puniti komplet baterija BAX1300, prvo priključite adapter na bateriju.

3. Punjač će se povezati s kompletom baterija kako bi procijenio stanje kompleta baterija.
4. Kada se komplet baterija puni, četiri LED svjetlosna indikatora na punjaču svijetliti će zeleno u nizu, slijeva nadesno kako bi se ukazalo na nivo punjenja; pogledajte sl. C. Indikator napajanja na kompletu baterija (BA1120E, BA1400, BA2240E, BA2800, BA3360, BA4200) treperit će u nizu: crvena, narandžasta i zelena ili će LCD indikator napajanja na kompletu baterija BAX1300 prikazivati kapacitet punjenja u brojevima. Zadnji segment svjetlosnog indikatora s 5 LED lampica na kompletu baterija treperit će zeleno (za BA1400T, BA2240T, BA2242T, BA2800T, BA4200T, BA5600T, BA6720T). Ventilator u punjaču kontinuirano radi, radi hlađenja kompleta baterija.
5. Nakon potpunog punjenja kompleta baterija LED svjetlosni indikatori punjenja naizmjenično se zaustavljaju i stalno svijetle zeleno. Indikator napajanja na kompletu baterija se isključuje. Pričekajte da se ventilator za hlađenje zaustavi, izvadite komplet baterija/adaptora iz punjača i isključite punjač iz strujnog napajanja.

6. Komplet baterija potpuno će se napuniti ako ga ostavite na punjaču, ali se neće prepuniti. Ako komplet baterija (osim BAX1300) ostane na punjaču jedan mjesec ili duže, obaviti će postupak samoodržavanja, a kapacitet napunjenosti spusti će se na 30%. Ako se to desi, komplet baterija ponovo stavite na punjač radi potpunog punjenja.

Opis dijelova na sl. C pogledajte u nastavku:

C-1	LED 1	C-3	LED 3
C-2	LED 2	C-4	LED 4

NAPOMENA!

- Značajno skraćeno vrijeme rada nakon potpunog punjenja kompleta baterija ukazuje na skoriji kraj korisnog životnog vijeka baterija i potrebu njihove zamjene.
- Punjač se može zagrijati tokom postupka punjenja. To je karakteristika normalnog rada punjača. Postupak punjenja obavljajte u dobro prozračenom području.

LED FUNKCIJE PUNJAČA

ZA BA1120E, BA1400, BA2240E, BA2800, BA3360, BA4200

LED INDIKATOR	KOMPLET BATERIJA	LED SVJETLOSNI INDIKATOR NA PUNJAČU				INDIKATOR NAPAJANJA NA KOMPLETU BATERIJA	SNAGA KOMPLETA BATERIJA	RADNJA
		LED1	LED2	LED3	LED4			
	Neispravan	Treperi crveno ili je isključen.	Isključeno	Isključeno	Isključeno	Isključeno	—	Komplet baterija ili punjač je neispravan.
	Topla/hladna baterija	Svijetli crveno.	Isključeno	Isključeno	Isključeno	Isključeno	—	Punjenje će započeti kada se temperatura kompleta baterija vrati na 3 °C - 57 °C.
	Punjenje	Treperi zeleno.	Isključeno	Isključeno	Isključeno	Naizmjenično treperi u crvenoj, narandžastoj i zelenoj boji.	Manje od 25%	Punjenje
		Naizmjenično svijetli zeleno		Isključeno	Isključeno		25% do 50%	Punjenje
		Naizmjenično svijetli zeleno			Isključeno		50% do 75%	Punjenje
		Naizmjenično svijetli zeleno					75% do 90%	Punjenje
	Potpuno napunjeno	Kontinuirano svijetli zeleno				Isključeno	90% do 100%	Punjenje je završeno. Punjenje radi održavanja
—	Samoodržavanje	Isprekidano brzo treperi zeleno				Isključeno	Približno 30%	Komplet baterija obavlja postupak samoodržavanja ili je u režimu mirovanja. Komplet baterija ponovo stavite na punjač radi potpunog punjenja.

BS

ZA BA1400T, BA2240T, BA2242T, BA2800T, BA4200T, BA5600T, BA6720T

LED SVJETLOSNI INDIKATOR	KOMPLET BATERIJA	LED SVJETLOSNI INDIKATOR NA PUNJAČU				SVJETLOSNI INDIKATOR S 5 LED LAMPICA NA KOMPLETU BATERIJA	SNAGA KOMPLETA BATERIJA	RADNJA
		LED1	LED2	LED3	LED4			
	Neispravan	Treperi crveno ili je isključen	Isklj-učeno	Isklj-učeno	Isklj-učeno	Isključeno	—	Komplet baterija ili punjač je neispravan
	Topla/hladna baterija	Svijetli crveno	Isklj-učeno	Isklj-učeno	Isklj-učeno	Isključeno	—	Punjenje će započeti kada se temperatura kompleta baterija vrati na 3°C - 57°C (ZA BA1400T, BA2242T, BA2800T, BA4200T, BA5600T, BA6720T)/3°C - 50°C(ZA BA2240T).
	Punjenje	Treperi zeleno	Isklj-učeno	Isklj-učeno	Isklj-učeno	Zadnji segment treperi u zelenoj, a ostali u stalno crvenoj boji.	Manje od 25%	Punjenje
		Naizmjenično svijetli zeleno		Isklj-učeno	Isklj-učeno		25% do 50%	Punjenje
		Naizmjenično svijetli zeleno			Isklj-učeno		50% do 75%	Punjenje
		Naizmjenično svijetli zeleno					75% do 90%	Punjenje
	Potpuno napunjeno	Kontinuirano svijetli zeleno				Isključeno	90% do 100%	Punjenje je završeno. Punjenje radi održavanja
—	Samoodržavanje	Isprekidano brzo treperi zeleno				Isključeno	Približno 30%	Komplet baterija obavlja postupak samoodržavanja ili je u režimu mirovanja. Komplet baterija ponovo stavite na punjač radi potpunog punjenja.

PUNJENJE TOPLOG ILI HLADNOG KOMPLETA BATERIJA

Ako je temperatura kompleta baterija van normalnog opsega temperature, svjetlosni indikator LED1 svijetlit će crveno. Kada se komplet baterija ohladi na temperaturu od oko 57 °C (42°C za BAX1300, 50°C for BA2240T) ili se zagrije na više od 3 °C, punjač će automatski početi postupak punjenja, a 4 LED svjetlosna indikatora će svijetliti normalnim redoslijedom.

NEISPRAVAN KOMPLET BATERIJA ILI PUNJAČ

Ako punjač detektuje problem, svjetlosni indikator LED1 početi će treperiti u crvenoj boji ili će se svi LED svjetlosni indikator i isključiti.

ZA PUNJENJE BA1120E, BA1400, BA2240E, BA2242T, BA2800, BA3360, BA4200, BA1400T, BA2240T, BA2800T, BA4200T, BA5600T, BA6720T

1. Ako se registruje kao neispravan, izvadite komplet baterija i ponovo ga stavite na punjač. Ako LED

BS

- svjetlosni indikatori i drugi put očitavaju "neispravno" stanje, pokušajte puniti drugi komplet baterija.
2. Ako se drugi komplet baterija puni normalno, zbrinite neispravan komplet baterija (pogledajte uputstva u priručniku kompleta baterija).
 3. Ako se i za drugi komplet baterija očitava "neispravno" stanje, isključite punjač iz strujnog napajanja i pričekajte da se trepereći svjetlosni indikator LED1 isključi, a zatim ponovo utaknite utikač u strujnu utičnicu. Ako svjetlosni indikator LED1 na punjaču i dalje prikazuje neispravno stanje, punjač je možda neispravan.

ZA PUNJENJE BAX1300

1. Ako se registruje kao neispravan, izvadite komplet baterija i ponovo ga s punjačem povežite s adapterom. Ako LED svjetlosni indikatori i drugi put očitavaju "neispravno" stanje, pokušajte staviti novi adapter ili puniti drugi komplet baterija.
2. Ako se drugi adapter ili komplet baterija puni normalno, zbrinite neispravan adapter ili komplet baterija (pogledajte uputstva u priručniku kompleta baterija).
3. Ako se i za drugi komplet baterija i adapter opet očitava "neispravno" stanje, isključite punjač iz strujnog napajanja i pričekajte da se trepereći svjetlosni indikator LED1 isključi, a zatim ponovo utaknite utikač u strujnu utičnicu. Ako svjetlosni indikator LED1 na punjaču i dalje prikazuje neispravno stanje, punjač je možda neispravan.

PROVRTI ZA ZIDNU MONTAŽU

Punjač ima provrte za vješanje za praktično skladištenje (sl. A-6). Postavite vijke u zid međusobno udaljene 76 mm. Upotrebljavajte vijke dovoljno jake da drže ukupnu masu punjača i kompleta baterija (maksimalno oko 4,1 kg).

ODRŽAVANJE

⚠ UPOZORENJE! Radi izbjegavanja teških tjelesnih povreda, uvijek izvadite komplet baterija iz alata prije obavljanja radova čišćenja ili održavanja.

⚠ UPOZORENJE! Kada obavljate radove servisiranja upotrebljavajte samo identične zamjenske dijelove proizvođača EGO. Upotreba drugih dijelova može uzrokovati opasnost ili oštećenje proizvoda.

⚠ UPOZORENJE! Kao metodu čišćenja punjača ne preporučujemo upotrebu komprimiranog suhog zraka. Ako je čišćenje komprimiranim zrakom jedina primjenjiva metoda, pri čišćenju alata uvijek nosite zatvorene zaštitne naočale ili zaštitne naočale s bočnim štitnicima. Ako radite u prašnjavim uslovima, nosite i masku za zaštitu od prašine.

⚠ UPOZORENJE! Ako je strujni kabel oštećen, treba ga zamijeniti proizvođač, ovlašteni serviser proizvođača ili slično kvalifikovane osobe kako bi se izbjegla opasnost.

OSNOVNO ODRŽAVANJE

Kada čistite plastične dijelove, izbjegavajte upotrebljavati rastvore. Mnoge plastike mogu se oštetiti različitim vrstama komercijalnih rastvora i mogu se oštetiti njihovom upotrebom. Za uklanjanje prljavštine, prašine, ulja, masti i sl. upotrebljavajte čiste krpe.

⚠ UPOZORENJE! Nemojte nikada dozvoliti da kožione tekućine, benzin, proizvodi na bazi nafte, penetrirajuća ulja i sl., dođu u kontakt s plastičnim dijelovima. Hemikalije mogu oštetiti, oslabiti ili uništiti plastiku, što može rezultirati teškim tjelesnim povredama.

⚠ UPOZORENJE! Kada obavljate radove servisiranja upotrebljavajte samo identične zamjenske dijelove proizvođača EGO. Upotreba drugih dijelova može uzrokovati opasnost ili oštećenje proizvoda. Radi osiguranja sigurnosti i pouzdanosti, sve popravke treba obavljati kvalifikovani servisni tehničar u servisnom centru proizvođača EGO.

ZAŠTITA ŽIVOTNE SREDINE



Električnu opremu, punjače baterije i baterije/punjive baterije ne odlažite u kućni otpad!

Evropska Direktiva 2012/19/EU o električnoj i elektroničkoj opremi koja više nije iskoristiva i Evropska Direktiva 2006/66/EZ zahtijevaju da se neispravni ili iskorišteni kompleti baterija/baterije moraju sakupljati zasebno.

Ako se električni uređaji odlažu na odlagališta otpada ili deponije, opasne tvari mogu iscurjeti u podzemne vode i dospjeti u lanac ishrane i negativno uticati na zdravlje i dobrobit ljudi.

OTKLANJANJE PROBLEMA

PROBLEM	UZROK	RJEŠENJE
Punjač ne radi. Svjetlosni indikator LED1 treperi u crvenoj boji ili se svi LED svjetlosni indikatori isključuju.	Komplet baterija, adapter ili punjač je neispravan ili je spoj kompleta baterija, adaptera i punjača loš.	<ul style="list-style-type: none">■ Pokušajte izvaditi i ponovo staviti komplet baterija/adapter u punjač.■ Pokušajte izvaditi i priključiti adapter na komplet baterija (Za BAX1300).■ Pokušajte zamijeniti adapter.■ Pokušajte puniti drugi komplet baterija.■ Isključite punjač iz strujnog napajanja i pričekajte da se crveni LED svjetlosni indikator isključi, a zatim ponovo utaknite utikač u strujnu utičnicu.
Punjač ne radi i svjetlosni indikator LED1 svijetli u crvenoj boji.	Komplet baterija je previše vruć ili previše hladan.	Pričekajte da komplet baterija dostigne normalnu temperaturu. Punjenje će započeti kada se temperatura kompleta baterija vrati na 3°C -57°C(3 °C - 42 °C za BAX1300, 3°C -50°C for BA2240T).

GARANCIJA

POLITIKA GARANCIJE PROIZVOĐAČA EGO

Za sve odredbe i uslove politike garancije proizvođača EGO posjetite internetsku stranicu egopowerplus.com.



קראו את כל ההוראות!

קראו את מדריך ההוראות



⚠ סיכון שיורי! אנשים בעלי מכשירים חשמליים כגון קוצבי לב, צריכים להתיעץ עם הרופא(ים) המטפל(ים) בהם לפני השימוש במכשיר זה. הפעלה של ציוד חשמלי בקרבת קוצב לב עלולה להפריע לפעולת הקוצב או אפילו להפסיק את פעולתו.

⚠ אזהרה: על מנת להבטיח בטיחות ואמינות, יש לבצע את כל התיקונים וההחלפות בעזרת טכנאי שירות מוסמך.

⚠ אזהרה: מכשיר ניתן לשימוש על ידי ילדים בגיל הגבוה מ-8 ואנשים בעלי יכולות פיזיות, חושיות או נפשיות מוגבלות, אנשים עם חוסר ניסיון וידע, אם ישנו מישור המפקח עליהם וניתנו להם ההוראות בנושא השימוש במכשיר באופן בטוח והם מבינים את הסכנות המעורבות בשימוש. ילדים לא יישחקו עם המכשיר. ניקיון ועבודות תחזוקה לא יבצעו על ידי ילדים ללא השגחה.

סימני בטיחות

מטרתם של סימני הבטיחות היא למשוך את תשומת לבכם אל סכנות אפשריות. סימני הבטיחות וההסברים שלהם דורשים את תשומת הלב וההבנה המלאות שלכם. סימני הבטיחות בעצמם לא ימנעו כל סכנה. ההוראות והאזהרות אותן הם מספקים לא תחלפנה נקיטת אמצעי מניעה מתאימים בעת תאונה.

⚠ אזהרה: וודאו שאתם קוראים ומבינים את כל הוראות הבטיחות המופיעות במדריך זה למשתמש, כולל את כל סימני התרעות הבטיחות כגון „סכנה“, „אזהרה“ ו-„זהירות“ לפני השימוש במכשיר זה. אי מילוי אחר כל ההוראות המופיעות למטה יכול לגרום להלם חשמלי, שרפה ו/או פציעות אישיות חמורות.

הוראות בטיחות

עמוד זה מציין ומתאר את סימני הבטיחות העשויים להופיע על גבי המוצר. קראו, הבינו ועקבו אחר ההוראות המופיעות על המכשיר לפני כל ניסיון להרכיב ולהשתמש בו.

	אמצעים הקשורים לבטיחותכם	התראות בטיחות
	על מנת להפחית את הסיכון לפציעות, על המשתמש לקרוא את המדריך למשתמש.	קראו את מדריך ההוראות
	יש להשתמש במכשיר זה בפנים הבית בלבד	שימוש בפנים הבית

	בנייה מסוג II	בנייה בעלת בידוד כפול
	חיבורי נתיך	חיבור נתיך מינאטורי להשהיית זמן
	CE	מוצר זה תואם לתקנות ה-CE הרלוונטיות.
	UKCA	מוצר זה הוא בהתאם לחוקים הרלוונטיים בבריטניה.
	WEEE	אין לרוק מוצרים חשמליים ביחד עם אשפה ביתית. הביאו את המכשיר למרכז מחזור מוסמך.
V	וולט	מתח
A	אמפרים	זרם
Hz	הרץ	תדירות (מחזורים לשנייה)
W	וואט	מתח
min	דקות	זמן
~	זרם חלופי	סוג זרם
	זרם ישיר	סוג או מאפייני מתח

⚠ אזהרה: קראו והבינו את כל ההוראות. אי מילוי אחר כל ההוראות המופיעות למטה יכול לגרום להלם חשמלי, שרפה ו/או פציעות אישיות חמורות.

בטיחות סביבת העבודה

- שימרו על סביבת העבודה נקייה ומוארת כהלכה. סביבות לא מסודרות ואפלות מזמינות תאונות.
- אל תפעילו את מטען ה-EGO באזורים דליקים, בנוכחות נוזלים דליקים, גזים או אבק. המטען עלול לייצר ניצוצות העלולים להצית את האבק או האדים.

בטיחות חשמלית

- התקעים של המכשיר החשמלי צריכים להיות מתאימים לשקע. לעולם אל תשנו את התקע בכל צורה שהיא. אל תשתמשו במתאמים עבור תקעים של מכשירים חשמליים בעלי הארקה. תקעים שלא שונו ושקעים מתאימים יפחיתו את הסיכון לשוק חשמלי.
- אל תחשפו את המטען לגשם או לתנאים רטובים. מים הנכנסים אל המטען יגבירו את הסכנה לשוק חשמלי.
- אל תפעילו לחץ על הכבל. לעולם אל תשתמשו בכבל על מנת לשאת, למשוך או להוציא את המטען מן השקע. שימרו על הכבל הרחק ממקורות חום, שמן, קצוות חדים או חלקים נעים. כבלים ניזוקים או מלוופפים מגבירים את הסיכון לשוק חשמלי.
- הימנעו ממגע עם משטחים בעלי הארקה, כגון צינורות, רדיאטורים, כיריים ומקררים. יש סיכון גבוה

HE

לשוק חשמלי אם הגוף שלכם מוארק.

- בעת הפעלת המכשיר החשמלי בחוץ, עשו שימוש בכבל מאריך המתאים לשימוש בחוץ. השימוש בכבל מאריך המתאים לשימוש בחוץ מפחית את הסיכון לשוק חשמלי.
- מטען ה-EGO יכול להטעין את מארזי סוללות הליתיום-יון הרשומים למטה:

מטען	מארזי סוללה
CH5500E	BA1120E, BA1400, BA2240E, BA2240T, BA2242T, BA2800, BA3360, BA4200, BA1400T, BA2800T, BA4200T, BA5600T, BA6720T

שירות

- בצעו עבודות שירות על המטען שלכם רק באמצעות טכנאי שירות מוסמך העושה שימוש בחלקי חילוף זהים בלבד. הדבר יבטיח שבטיחות המטען נשמרת.
- במקרה של עבודות תיקון למטען, השתמשו רק בחלקי חילוף שלכם. בצעו את ההוראות בפרק התחזוקה במדריך זה. השימוש בחלקים שאינם מאושרים או אי ביצוע הוראות תחזוקה עשוי לגרום סיכון להלם או לפציעה.

חוקי בטיחות עבור המטען

⚠️ זהירות! על מנת להפחית את הסיכוי לשוק חשמלי או נזק למטען או לסוללה, הטעינו רק את סוללות הליתיום-יון הניתנות לטעינה מחדש אשר מופיעות בתווית המטען שלכם. סוגים אחרים של סוללות עלולים להתפוצץ, כאשר גם גורמים לפציעה אישית או לנזק.

מכשיר זה איננו מיועד לשימוש על ידי אנשים (כולל ילדים) בעלי יכולות פיזיות, חושיות או נפשיות מוגבלות, אנשים עם חוסר ניסיון וידע, אלא אם כן ישנו מישהו המפקח עליהם וניתנו להם הוראות בנושא השימוש במכשיר על ידי אדם האחראי לביטחונם.

- לפני השימוש במטען הסוללות, קראו את כל ההוראות ואת סימני הזהירות במדריך זה ועל גבי המטען, הסוללה והמוצר עבורו אתם משתמשים בסוללות על מנת למנוע שימוש לא נכון של מוצרים ופציעות או נזקים אפשריים.

- אין להשתמש במטען מחוץ לבית או לחשוף אותו לתנאים רטובים או לחים. מים הנכנסים אל המטען יגבירו את הסכנה לשוק חשמלי.

- אין לטפל במטען, כולל תקע המטען או מסופי המטען בידיים רטובות.

- השימוש בחיבור אשר לא מומלץ או לא נמכר על ידי יצרן מטען הסוללות יגביר את הסיכון לאש, שוק חשמלי או פציעות של אנשים.

- הטעינו רק עם המטען המצוין על ידי היצרן. מטען

המתאים למארז סוללה אחד עלול ליצור סכנת אש עבור מארז סוללה אחר.

- אל תפעילו לחץ על הכבל או על המטען. לעולם אין להשתמש בכבל על מנת לשאת את המטען. נא לא למשוך את כבל המטען על מנת לנתק את התקע מן השקע. עלול להיגרם נזק לכבל או למטען ולהיווצר סיכון של שוק חשמלי. החליפו כבלים ניזוקים מיד.

- וודאו שהכבל ממוקם כך שלא ניתן יהיה לדרוך עליו, להיתקל בו, שהוא יבוא במגע עם קצוות חדים או עם חלקים נעים, או במקום שהוא יכול להינזק או להימתח. הדבר יפחית את הסיכון לנפילות מקריות, אשר יכולות לגרום לפציעות ולנזק לכבל, ובסופו של דבר לשוק חשמלי.

- שימרו על הכבל והמטען מפני חום על מנת למנוע נזק מן התאים או מן החלקים הפנימיים.

- לעולם אל תיתנו לבנזין, מוצרים מבוססי בנזין, שמנים וכי, לבוא במגע עם חלקי פלסטיק. חומרים אלו מכילים כימיקלים אשר עלולים להזיק, להחליש או להרוס את הפלסטיק.

- אל תפעילו את המטען עם כבל או תקע ניזוקים, הדבר עלול לגרום לקצר ולשוק חשמלי. אם ישנו נזק, תקנו או החליפו את המטען בעזרת טכנאי שירות מוסמך במרכז שירות של EGO.

- אל תפעילו את המטען אם הוא קיבל מכה חזקה, אם הוא הופל או נגרם לו כל נזק אחר. קחו אותו אל טכנאי שירות מוסמך לבדיקה חשמלית על מנת למנוע את המטען נמצא בתנאי עבודה נאותים.

- נא לא לפרק את המטען. קחו אותו אל טכנאי שירות מוסמך אם יש צורך בעבודות שירות או תיקונים. הכרבה לא נכונה מחדש עלולה לגרום לשוק חשמלי או לשרפה.

- הוציאו את המטען מן השקע החשמלי לפני כל עבודת תחזוקה או ניקיון על מנת להפחית את הסיכון לשוק חשמלי.

- נתקו את מטען ממקור המתח כאשר איננו בשימוש. הדבר יפחית את הסיכון לשוק חשמלי או נזק למטען אם חלקי מתכת יפלו אל תוך הפתח. הדבר גם יעזור למנוע נזק למטען בעת עליית מתח.

- סיכון לשוק חשמלי. נא לא לגעת בחלקים הלא מבודדים של מחבר התקע או המסוף הלא מבודד של הסוללה.

- שימרו על הוראות אלו. עיינו בהם בתדירות גבוהה והשתמשו בהם על מנת להדריך אחרים אשר עשויים להשתמש במכשיר. אם אתם מלווים את הכלי למישהו אחר, תנו לו גם את ההוראות הללו על מנת למנוע שימוש לא נכון של המכשיר או פציעות אפשריות.

הוראות בטיחות חשובות

- שימרו על הוראות אלו. מדריך זה כולל הוראות

HE

בטיחות והפעלה חשובות עבור מטען מהיר EGO
56V CH5500E

- לפני השימוש במטען הסוללות, קראו את כל ההוראות ואת סימני הזהירות על גבי המטען, הסוללה והמוצר עבורו אתם משתמשים בסוללות.

⚠ אזהרה: בעת שימוש במכשירי חשמל יש לנקוט באמצעי זהירות בסיסיים, כולל האמצעים הבאים:

- על מנת להפחית את הסיכון לפציעה, יש לפקח מקרוב בעת השימוש במכשיר ליד ילדים.
- השתמשו רק באביזרים המומלצים או הנמכרים על ידי היצרן.
- נא לא להשתמש מחוץ לבית.
- עבור מכשיר נייד - על מנת להפחית את הסיכון לשוק חשמלי, נא לא להטביל את המטען במים או בכל נוזל אחר. נא לא להניח או לאחסן את המכשיר היכן שהוא עלול ליפול או להימשך אל אמבט או כיור.

⚠ זהירות! על מנת להפחית את הסיכון לפציעה, הטעינו רק סוללות ליתיום-יון הניתנות לטעינה מחדש. סוגים אחרים של סוללות עלולים להתפוצץ, כאשר גם גורמים לפציעה אישית או לנזק.

מפרטים

קלט מטען	220-240 V~50 Hz, 550 W
פלט מטען	5-8 A 56 V
זמן טעינה	<p>בערך 25 דקות עבור מארז סוללה BA1120E</p> <p>בערך 30 דקות עבור מארז סוללה BA2240/BA1400T/T2422AB/BA2240E/BA1400</p> <p>בערך 40 דקות עבור מארז סוללה BA2800T/0082AB</p> <p>בערך 45 דקות עבור מארז סוללה BA3360</p> <p>בערך 60 דקות עבור מארז סוללה BA4200T/BA4200</p> <p>בערך 190 דקות עבור מארז סוללה BAX1300</p> <p>בערך 70 דקות עבור מארז סוללה BA5600T</p> <p>בערך 90 דקות עבור מארז סוללה BA6720T</p>
טמפרטורת טעינה אופטימלית	5 °C-40 °C
משקל מטען	1.9 ק"ג

1. חריץ הרכבה
2. יציאת אוויר קירור
3. אינדיקטורי לד
4. חיבורים חשמליים
5. ידית רכה
6. חורי הרכבה לקיר

הפעלה

איך להטעין את מארז הסוללה

⚠ אזהרה: אין להשתמש במטען מחוץ לבית או לחשוף אותו לתנאים רטובים או לחים. מים הנכנסים אל המטען יגבירו את הסכנה לשוק חשמלי.

הודעה: מארזי סוללות ליתיום-יון נשלחים כאשר הם טעונים חלקית. לפני השימוש בו בפעם הראשונה, הטעינו לגמרי את מארז הסוללה.

1. חברו את המטען אל מקור המתח (220-240V~, 50Hz). ארבעת אינדיקטורי הלד יידלקו לזמן קצר בצבע ירוק, דבר המראה שהמטען פועל כהלכה.
2. יישרו את העורקים המורמים של מארז הסוללה/המתאם עם חריצי ההרכבה בתוך המטען; החליקו את מארז הסוללה/המתאם כלפי מטה אל המטען (איור B).

הודעה: בעת טעינה של מארז הסוללה BAX1300, חברו תחילה את המתאם אל הסוללה.

3. המטען יתקשר עם מארז הסוללה על מנת להעריך את המצב של מארז הסוללה.
4. כאשר מארז הסוללה נטען, ארבעת אינדיקטורי הלד על המטען יבהבו ברצף בצבע ירוק, מצד שמאל אל צד ימין, על מנת להראות את רמת הטעינה; אנא עיינו באיור C. אינדיקטור המתח על מארז הסוללה (BA1120E, BA1400, BA2240E,) יבהב (BA2800 BA3360, BA4200 ברצף: אדום, כתום וירוק, או אינדיקטור המתח LCD על מארז הסוללה BAX1300 יראה קיבולת טעינה מספרית. הקטע האחרון של אינדיקטור 5 נוריות הלד על מארז הסוללה יבהב בצבע ירוק (רובע BA1400T, BA2240T, BA2242T, BA2800T, BA4200T, BA5600T, BA6720T). המאוורר בתוך המטען עובד תמיד על מנת לקרר את מארז הסוללה.

תיאור

הכירו את המטען שלכם (איור A)

HE

222

5. כאשר מארז הסוללה טעון לגמרי, אינדיקטור ה led עבור הטעינה יפסיקו להבהב והם יהפכו לצבע ירוק דולק. אינדיקטור המתח על גבי מארז הסוללה יכובה. המתינו עד אשר מאורר הקירור מפסיק את פעולתו, הסירו את מארז הסוללה/המתאם מן המטען ונתקו את המטען ממקור המתח.

6. מארז הסוללה ייטען לגמרי כאשר הוא נמצא בתוך המטען, אך לא תתבצע טעינת יתר. אם מארז הסוללה (למעט BAX1300) נשאר בתוך המטען לתקופה של חודש או יותר, הוא יבצע פעולת תחזוקה עצמית וקיבולת הסוללה תרד ל-30%. אם הדבר קורה, התקינו מחדש את מארז הסוללה אל תוך

המטען על מנת להטעין אותו לגמרי.
ראו למטה תיאור חלקים באיור C:

C-1	נורית 1	C-3	נורית 3
C-2	נורית 2	C-4	נורית 4

הודעה:

- זמן פעילות נמוך במיוחד לאחר טעינה מלאה של מארז הסוללה פירושו שהסוללות נמצאות בסוף חייהן ויש להחליף אותן.
- המטען עלול להתחמם בעת הטעינה. הדבר הוא חלק מן הפעולה הרגילה של המטען. בצעו טעינה באזור מאורר היטב.

פונקציות ה led של המטען

עבור BA1120E, BA1400, BA2240E, BA2800, BA3360, BA4200

אינדיקטור לד	מארז סוללה	לד על המטען				אינדיקטור המתח על מארז הסוללה	מתח מארז הסוללה	פעולה
		נורית 1	נורית 2	נורית 3	נורית 4			
	ניזוק	אור אדום מהבהב או כבוי	כבוי	כבוי	כבוי	כבוי	—	מארז הסוללה או המטען ניזוקים.
	סוללה קרה/ חמה	אור אדום	כבוי	כבוי	כבוי	כבוי	—	הטעינה תחל מחדש כאשר מארז הסוללה יחזור לטמפרטורה של 3°C-57°C
	טעינה	אור ירוק מהבהב	כבוי	כבוי	כבוי	אור אדום, כתום וירוק מהבהבים לסירוגין	פחות מ-25%	טעינה
		אור ירוק לחלופין	כבוי	כבוי	כבוי		עד 25% עד 50%	טעינה
		אור ירוק דולק לחלופין	כבוי	כבוי	כבוי		עד 50% עד 75%	טעינה
		אור ירוק דולק לחלופין	כבוי	כבוי	כבוי		עד 75% עד 90%	טעינה
	טעון לגמרי					כבוי	עד 90% עד 100%	הטעינה הסתיימה. טעינת תחזוקה.
—	תחזוקה עצמית	הבהוב מהיר לסירוגין בצבע ירוק				כבוי	בערך 30%	המטען מבצע פעולת תחזוקה עצמית או נמצא במצב שינה. התקינו מחדש את מארז הסוללה אל תוך המטען על מנת להטעין אותו לגמרי.

עבור BA1400T, BA2240T, BA2242T, BA2800T, BA4200T, BA5600T, BA6720TT

אינדיקטור לד	מארז סוללה	לד על המטען				אינדיקטור בעל 5 נוריות לד על מארז הסוללה	מתח מארז הסוללה	פעולה
		נורית 1	נורית 2	נורית 3	נורית 4			
	ניזוק	אור אדום מהבהב או כבוי	כבוי	כבוי	כבוי	כבוי	—	מארז הסוללה או המטען ניזוקים.
	סוללה קרה/ חמה	אור אדום	כבוי	כבוי	כבוי	כבוי	—	הטעינה תחל מחדש כאשר מארז הסוללה יחזור לטמפרטורה 57°C-3°C BA1400T, BA2242T, BA2800T, BA4200T, BA5600T, בעבור BA6720T(עבור 3°C-50°C(BA2240T
	טעינה	אור ירוק מהבהב	כבוי	כבוי	כבוי	הקטע האחרון מהבהב בירוק, האחרים דלוקים באור ירוק	פחות מ-25%	טעינה
		אור ירוק לחלופין		כבוי	כבוי		25% עד 50%	טעינה
		אור ירוק דולק לחלופין		כבוי			50% עד 75%	טעינה
		אור ירוק דולק לחלופין		כבוי			75% עד 90%	טעינה
	טעון לגמרי	אור ירוק דולק				כבוי	90% עד 100%	הטעינה הסתיימה. טעינת תחזוקה.
—	תחזוקה עצמית	הבהוב מהיר לסירוגין בצבע ירוק				כבוי	בערך 30%	המטען מבצע פעולת תחזוקה עצמית או נמצא במצב שינה. התקינו מחדש את מארז הסוללה אל תוך המטען על מנת להטעין אותו לגמרי.

טעינה של מארז סוללה חם או קר

אם מארז הסוללה נמצא מחוץ לטווח הטמפרטורות הנורמלי, נורית 1 תאיר בצבע אדום. כאשר מארז הסוללה מתקרר עד לטמפרטורה של 57°C (42°C) עבור (BAX1300, 50°C for BA2240T) או מתחמם לטמפרטורה של מעל 3°C, המטען יתחיל את טעינתו באופן אוטומטי וארבעת נוריות הLED תהבהבנה ברצף רגיל.

מארז סוללה או מטען ניזוקים

אם המטען מאתר בעיה, נורית 1 תתחיל להבהב בצבע

אדום או שכל נורות הLED תכבנה.

לטיעינה של BA1120E, BA1400, BA2240E, BA2242T, BA2800, BA3360, BA4200, BA1400T, BA2240T, BA2800T, BA4200T, BA5600T, BA6720T

1. אם עדיין ניזוקה, נסו להסיר ולהכניס מחדש את מארז הסוללה אל תוך המטען. אם נוריות הLED עדיין מראות על מצב „ניזוק“, נסו להטעין מארז סוללה אחר.
2. אם מארז סוללה אחר ניטען באופן נורמלי,

היפטרו ממארז הסוללה הניזוק (עיינו בהוראות במדריך מארז הסוללה).

3. אם מארז סוללה שונה גם מראה „נזק“, הוציאו את מארז הסוללה ממקור המתח וחכו עד אשר האור המהבהב של נורית 1 יכובה, לאחר מכן חברו מחדש את התקע אל מקור המתח. אם נורית 1 על גבי המטען עדיין תראה נזק, ייתכן שהמטען ניזוק.

לטעינה של BAX1300

1. אם עדיין ניזוקה, נסו להסיר ולהכניס מחדש את מארז הסוללה ואת המטען אל תוך המתאם. אם נוריות הליד עדיין מראות על מצב „ניזוק“, נסו להשתמש במתאם חדש או להטעין מארז סוללה אחר.
2. אם מארז סוללה אחר ניטען באופן נורמלי, היפטרו ממארז הסוללה או המתאם הניזוקים (עיינו בהוראות במדריך מארז הסוללה).
3. אם מארז סוללה ומתאם שונים גם מראים „נזק“, הוציאו את מארז הסוללה ממקור המתח וחכו עד אשר האור המהבהב של נורית 1 יכובה, לאחר מכן חברו מחדש את התקע אל מקור המתח. אם נורית 1 על גבי המטען עדיין תראה נזק, ייתכן שהמטען ניזוק.

חורים להרכבה על הקיר

המטען מצויד בחורי תלייה לאחסון נוח (איור 6-A). התקינו ברגים בקיר במרחק 67 מ"מ אחד מן השני. השתמשו בברגים חזקים מספיק על מנת לתמוך במשקל המשולב של המטען ושל מארז הסוללה (משקל מקסימלי של בערך 1.4 ק"ג).

תחזוקה

⚠ אזהרה: על מנת למנוע פציעות אישיות, הסירו תמיד את מארז הסוללה מן המכשיר לפני הניקיון או ביצוע כל עבודות תחזוקה.

⚠ אזהרה: במקרה של עבודות שירות, השתמשו רק בחלקי חילוף זהים של EGO. שימוש בחלקי חילוף אחרים עלול לגרום לסכנה או נזק למוצר.

⚠ אזהרה: לא מומלץ להשתמש באוויר דחוס יבש כשיטת ניקיון עבור המטען. אם ניקיון עם אוויר דחוס היא שיטת הניקיון היחידה, ענדו תמיד משקפי מגן או משקפי בטיחות עם הגנה צדדית בעת ניקיון המכשיר. אם ההפעלה היא באזור מאובק, חבשו גם מסכת אבק.

⚠ אזהרה: אם כבל המתח ניזוק, יש להחליף אותו על ידי היצרן, סוכן שירות שלו או אדם מוסמך באופן דומה על מנת למנוע סכנה.

תחזוקה כללית

הימנעו משימוש בממסים כאשר אתם מנקים חלקי פלסטיק. רוב חלקי הפלסטיק עלולים להינזק מסוגים שונים של ממסים מסחריים ועל ידי השימוש בהם. השתמשו במטליות נקיות על מנת להסיר לכלוך, אבק, שמן, חומר סיכה וכו'.

⚠ אזהרה: לעולם אל תיתנו לנזלי בלימה, בנזין, מוצרים מבוססי בנזין, שמנים וכו', לבוא במגע עם חלקי פלסטיק. חומרים כימיים עלולים להזיק, להחליש או להרוס את הפלסטיק והדבר עלול לגרום לפגיעה אישית חמורה.

⚠ אזהרה: במקרה של עבודות שירות, השתמשו רק בחלקי חילוף זהים של EGO. שימוש בחלקי חילוף אחרים עלול לגרום לסכנה או נזק למוצר. על מנת להבטיח בטיחות ואמינות, יש לבצע את כל התיקונים וההחלפות בעזרת טכנאי שירות מוסמך במרכז שירות של EGO.

הגנה על הסביבה

אל תיזרקו ציוד חשמלי, מטען הסוללה וסוללות/סוללות ניתנות לטעינה ביחד עם אשפה ביתית!



בהתאם לחוק האירופי 2012/19/EU, ציוד חשמלי ואלקטרוני אשר איננו נמצא יותר בשימוש, ובהתאם לחוק האירופי 2006/66/EC, ציוד חשמלי ואלקטרוני ניזוק, יאספו באופן נפרד.

אם ציוד חשמלי נזרק ביחד עם אשפה ביתית או במזבלה, חומרים מסוכנים עלולים לנזול אל האדמה ולהפוך לחלק משרשרת המזון, דבר העלול לגרום לנזק לבריאות והרווחה שלכם.

איתור וטיפול בבעיות

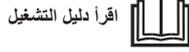
בעיה	סיבה	פתרון
המטען אינו עובד. נורית 1 מהבהבת בצבע אדום או שכל נוריות הLED נכבות.	מארז הסוללה, המתאם או המטען ניזוקים או שקיים חיבור לא מתאים בין מארז הסוללה, המתאם למטען.	<ul style="list-style-type: none"> ■ נסו להסיר ולהכניס מחדש את מארז הסוללה/המתאם אל תוך המטען. ■ נסו להסיר ולחבר מחדש את המתאם אל מארז הסוללה (עבור BAX1300). ■ נסו להחליף את המתאם. ■ נסו להטעין מארז סוללה אחר. ■ הוציאו את מארז הסוללה ממקור המתח וזכו עד אשר האור האדום יכובה, לאחר מכן חברו מחדש את התקע אל מקור המתח.
המטען איננו עובד ונורית 1 דולקת בצבע אדום.	מארז הסוללה חם מדי או קר מדי.	<ul style="list-style-type: none"> ■ אפשרו למארז הסוללה להגיע לטמפרטורה נורמלית. הטעינה תחל מחדש כאשר מארז הסוללה יחזור לטמפרטורה של 57°C-3°C עבור BAX1300, 3°C-50°C for BA2240T.

אחריות

מדיניות האחריות של EGO

אנא בקרו באתר egopowerplus.com עבור התנאים וההתניות השלמים של מדיניות האחריות של EGO.

اقرأ جميع التعليمات!



⚠️ خطر زائد! الأشخاص الذين تم تركيب أجهزة طبية إلكترونية لهم، مثل منظم ضربات القلب، يجب عليهم استشارة الطبيب قبل استخدام هذا المنتج. لأن تشغيل معدات كهربائية بالقرب من منظم ضربات القلب قد ينشأ عنه خلل أو فشل في أداء منظم ضربات القلب.

⚠️ تحذير: لضمان السلامة والاعتمادية، يجب تنفيذ جميع أعمال الإصلاح من قبل فني خدمة موهل.

⚠️ تحذير: يمكن للأطفال من سن 8 سنوات فما فوق استخدام هذا الجهاز وكذلك الأشخاص الذين يعانون من ضعف القدرات البدنية أو الحسية أو العقلية أو عدم الخبرة أو المعرفة شريطة توافر الإشراف والتوجيه فيما يتعلق باستخدام الجهاز بطريقة آمنة وفهم المخاطر المتضمنة. لا يجب ترك الجهاز بين يدي الأطفال للعبت به. يجب ألا يقوم الأطفال بتنظيف وصيانته دون الإشراف عليهم.

رموز السلامة

الغرض من رموز السلامة هو جذب انتباهك إلى المخاطر المحتملة. رموز السلامة والشروح المصاحبة لها تستحق اهتمامك وفهمك الدقيق. تحذيرات كل رمز، بنفسها، لا تمنع وقوع أي خطر. التعليمات والتحذيرات التي تمنحك إياها لا تعد بديلاً عن تطبيق الإجراءات الملائمة لمنع وقوع الحوادث.

⚠️ تحذير: احرص على قراءة وفهم جميع تعليمات السلامة في دليل التشغيل هذا، بما في ذلك جميع رموز تنبيهات السلامة، مثل "خطر"، وتحذير، وتنبيه قبل استخدام هذه الآلة. عدم اتباع جميع التعليمات الواردة أدناه قد يؤدي إلى حدوث صدمة كهربائية أو نشوب حريق أو التعرض للإصابة الشخصية، أحدها أو جميعها.

تعليمات السلامة

هذه الصفحة تصف وتشرح رموز السلامة التي قد تظهر على هذا المنتج. اقرأ جميع التعليمات المذكورة على الآلة وافهمها واتبعها قبل محاولة تجميع الآلة وتشغيلها.

	تنبيه سلامة	احتياطات تتعلق بسلامتك.
	اقرأ دليل التشغيل	للد من خطر التعرض لإصابة، ينبغي على المستخدم قراءة دليل التشغيل.
	للاستخدام المنزلي	استخدم هذا الجهاز في الأماكن الداخلية فقط
	هيكل من الفئة II	هيكل ثنائي العزل

وصلة مصهر مصغرة للتأخير الزمني	وصلات مصهر	T6,3A
هذا المنتج متوافق مع توجيهات شهادة الجودة الأوروبية (CE) المعمول بها.	شهادة الجودة الأوروبية CE	
هذا المنتج متوافق مع تشريعات المملكة المتحدة المعمول بها.	تقييم المطابقة UKCA	
لا يجب التخلص من الأجهزة الكهربائية المستهلكة في النفايات المنزلية. توجه بالجهاز إلى مركز إعادة تدوير معتمد. (WEEE)	نفايات المعدات الكهربائية المستهلكة في النفايات المنزلية والإلكترونية (WEEE)	
الجهد الكهربائي	فولت	V
التيار	أمبير	A
التردد (دورات في الثانية)	هرتز	Hz
الطاقة	واط	W
الوقت	دقائق	min
نوع التيار	تيار متردد	
النوع أو خصائص التيار	تيار مستمر	

⚠️ تحذير: اقرأ جميع التعليمات وافهمها. عدم اتباع جميع التعليمات الواردة أدناه قد يؤدي إلى حدوث صدمة كهربائية أو نشوب حريق أو التعرض للإصابة الشخصية، أحدها أو جميعها.

سلامة منطقة العمل

- حافظ على منطقة العمل نظيفة ومضادة جيداً. حيث عادة ما تتسبب المناطق المظلمة أو التي بها ركام إلى وقوع حوادث.
- لا تقم بتشغيل شاحن EGO في أجواء قابلة للانفجار، على سبيل المثال في وجود سوائل أو غازات أو غبار قابلة للاشتعال. فقد يتسبب الشاحن في صدور شرارة، والتي قد تتسبب في اشتعال الغبار أو الأبخرة القابلة للاشتعال.

السلامة الكهربائية

- ينبغي أن يتوافق قابس الآلة العاملة بالطاقة مع مقيس التيار. لا يجب إدخال تعديلات على القابس بأي حال من الأحوال. لا تستخدم أي قوايس مهبئية مع الآلات العاملة بالطاقة المؤرضة. ستؤدي القوايس غير المعضلة والمقابس المتوافقة إلى الحد من خطر حدوث صدمة كهربائية.
- لا تقم بتعريض الشاحن للمطر أو الأجواء الرطبة. حيث سيؤدي الماء الذي يدخل إلى الشاحن إلى زيادة خطر حدوث صدمة كهربائية.
- لا تعبت بسلك التيار. لا تقم أبداً باستخدام سلك التيار في حمل الشاحن أو سحب القابس من المقيس أو فصله عن مصدر التيار. احتفظ بسلك التيار بعيداً عن مصادر الحرارة أو الزيت أو الحواف الحادة أو الأجزاء المتحركة. تؤدي أسلاك التيار التالفة أو المتشابكة إلى زيادة خطر حدوث صدمة كهربائية.
- تجنب ملامسة الجسم لأسطح مؤرضة مثل الأنابيب والمشعاع والمواقف والتلجعات. هناك خطر متزايد لحدوث صدمة كهربائية إذا كان جسمك مؤرضاً.

- عند تشغيل آلة عاملة بالطاقة في مكان خارجي مفتوح، استخدم سلك تمديد ملائم للاستخدام الخارجي. استخدام سلك ملائم للاستخدام الخارجي يحد من خطر حدوث صدمة كهربائية.
- يمكن لشاحن EGO أن يشحن مجموعات بطاريات ليثيوم-أيون EGO المدرجة أدناه:

الشاحن	مجموعات البطارية
CH5500E	BA1120E, BA1400, BA2240E, BA2240T, BA2242T, BA2800, BA3360, BA4200, BA1400T, BA2800T, BA4200T, BA5600T, BA6720T

الصيانة

- يجب إجراء الصيانة على الشاحن بواسطة فني إصلاح متخصص باستخدام قطع غيار أصلية مطابقة فقط. فهذا سيضمن المحافظة على سلامة الشاحن.
- استخدم فقط قطع غيار أصلية عند إجراء أعمال الصيانة على الشاحن. احرص على اتباع التعليمات الواردة في قسم الصيانة من هذا الدليل. قد يتجنى عن استخدام قطع غيار غير مصرح بها أو الإخفاق في اتباع تعليمات الصيانة خطر التعرض لصدمة كهربائية أو إصابة.

قواعد السلامة الخاصة بالشاحن

- ⚠ **تنبيه:** لحد من خطر التعرض لصدمة كهربائية أو تلف الشاحن والبطارية، اشحن فقط بطاريات الليثيوم-أيون القابلة لإعادة الشحن المحدد نوعها على ملصق الشاحن. لأن الأنواع الأخرى من البطاريات قد تنفجر، ما قد يتسبب في وقوع إصابات شخصية أو حدوث تلف.

هذا الجهاز غير مخصص للاستخدام من قبل الأشخاص (بما في ذلك الأطفال) من ذوي القدرات البدنية أو الحسية أو العقلية المحدودة أو من ليست لديهم خبرة أو معرفة، إلا في حال قيام شخص مسؤول بتقديم الإشراف أو التعليمات المتعلقة باستخدام الجهاز لهم من أجل سلامتهم.

- قبل استخدام شاحن البطارية، اقرأ جميع التعليمات والملصقات التحذيرية الواردة في هذا الدليل وعلى شاحن البطارية والبطارية والمنتج الذي يستخدم البطارية لمنع إساءة استخدام المنتجات والتعرض المحتمل للإصابات أو التلف.
- لا تستخدم الشاحن في الأماكن الخارجية المفتوحة أو في بيئات العمل الرطبة أو المبللة. حيث سيؤدي الماء الذي يدخل إلى الشاحن إلى زيادة خطر حدوث صدمة كهربائية.
- لا تتعامل مع الشاحن، بما في ذلك قابس الشاحن وأطراف الشاحن، ويذاك مبتلتان.
- ربما يتسبب استخدام الملحقات غير الموصى بها أو التي لا يتم بيعها من قبل الشركة الصانعة لشاحن البطارية في حريق أو صدمة كهربائية أو حدوث إصابات للأشخاص.
- لا تُعد شحن الآلة إلا باستخدام الشاحن المحدد من قبل الشركة الصانعة. فالشاحن الملائم لنوع من مجموعات البطارية قد يتسبب في نشوب حريق إذا تم استخدامه مع مجموعة بطارية أخرى.

- لا تعيب بسلك التيار أو الشاحن. لا تقم أبدًا باستخدام سلك التيار في حمل الشاحن. لا تشد سلك الشاحن لفصل القابس من مقبس التيار. قد يتعرض سلك التيار أو الشاحن للتلف، وهو ما سيتسبب في خطر حدوث صدمة كهربائية. استبدل أسلاك التيار التالفة على الفور.

- تأكد من وضع سلك التيار في مكان بحيث لا يسير فوقه أحد أو يتعرّض فيه، وكذا بحيث لا يلامس حواف حادة أو أجزاء متحركة، أو أن يتعرض بأي شكل من الأشكال للتلف أو الشد. فهذا سيحد من خطر التعرّض غير المقصود به، وهو ما قد يؤدي إلى وقوع إصابات أو تعرض سلك التيار للتلف، وهو ما قد يؤدي بالتبعية إلى حدوث صدمة كهربائية.

- احتفظ بسلك التيار والشاحن بعيدًا عن مصادر الحرارة لمنع تعرض الهيكل أو الأجزاء الداخلية للتلف.

- لا تسمح بلامسة البنزين أو الزيوت أو المنتجات القائمة على البترول أو ما شابههم للأجزاء البلاستيكية. هذه المكونات تحتوي على مواد كيميائية قد تتسبب في تلف الأجزاء البلاستيكية أو ضعفها أو تدميرها.

- لا تقم بتشغيل الشاحن وقابسه أو سلك التيار الخاص به تلقًا، فقد يؤدي ذلك إلى حدوث دائرة قصر (فقل للدائرة) ووقوع صدمة كهربائية. وإذا كان تلقًا، فاحرص على إصلاح الشاحن أو استبداله من قبل فني صيانة معتمد في أحد مراكز صيانة EGO.

- لا تقم بتشغيل الشاحن إذا تعرض للضرب بأداة حادة، أو سقط على الأرض، أو تعرض للتلف بأي شكل من الأشكال. توجه به إلى فني صيانة معتمد لفحصه كهربائيًا للتأكد مما إذا كان الشاحن يعمل جيدًا أم لا.

- لا تقم بتفكيك الشاحن بنفسك. بل اذهب به إلى فني صيانة معتمد عند الحاجة إلى صيانتة أو إصلاحه. قد تؤدي إعادة التجميع غير الصحيحة إلى خطر التعرض لصدمة كهربائية أو نشوب حريق.

- أفضل الشاحن من مقبس الكهرباء قبل محاولة إجراء أي أعمال صيانة أو تنظيف، وذلك للحد من خطر التعرض لصدمة كهربائية.

- أفضل الشاحن عن مصدر التيار عند عدم الاستخدام. فهذا سيحد من خطر التعرض لصدمة كهربائية أو حدوث تلف بالشاحن إذا سقطت أشياء معدنية في الفتحة. فهذا سيساعد أيضًا في منع تعرض الشاحن للتلف أثناء الارتفاع المفاجئ في شدة التيار.
- خطر التعرض لصدمة كهربائية. لا تلمس الجزء غير المعزول من موصل خرج التيار أو طرف البطارية غير المعزول.

- احفظ هذه التعليمات. راجعهم باستمرار واستخدمهم لتوجيه الآخرين عند استخدام هذه الآلة. إذا قمت بإقراض هذه الآلة لشخص آخر، أرفق معها هذه التعليمات لمنع سوء استخدام المنتج والإصابات المحتملة.

تعليمات سلامة هامة

- احفظ هذه التعليمات. يحتوي هذا الدليل على تعليمات سلامة وتشغيل هامة للشاحن السريع 56 فولت CH5500E.
- قبل استخدام شاحن البطارية، اقرأ جميع التعليمات والملصقات التحذيرية الواردة على شاحن البطارية والبطارية والمنتج الذي يستخدم البطارية.

- ⚠ **تحذير:** يجب اتباع الاحتياطات الأساسية عند استخدام أجهزة

التشغيل

كهربائية، بما في ذلك ما يلي.

- للحد من خطر التعرض لإصابات، فإن المراقبة للصيقة واجبة عند استخدام أي جهاز بالقرب من الأطفال.
- استخدم فقط الملحقات الموصى بها أو التي يتم بيعها من قبل الشركة الصانعة.
- لا تستخدم الجهاز في الأماكن الخارجية المفتوحة.
- بالنسبة للأجهزة المحمولة - للحد من خطر الصدمات الكهربائية، لا تضع الشاحن في الماء أو غيره من السوائل. لا تقم بوضع أو تخزين الجهاز في مكان قد يتعرض فيه للوقوع أو السحب في حوض استحمام أو بالوعة.
- ⚠ **تنبيه:** للحد من خطر التعرض لإصابات، اشحن فقط بطاريات الليثيوم-أيون القابلة لإعادة الشحن. لأن الأنواع الأخرى من البطاريات قد تنفجر، ما قد يتسبب في وقوع إصابات شخصية أو حدوث تلف.

كيفية شحن مجموعة البطارية

⚠ **تحذير:** لا تستخدم الشاحن في الأماكن الخارجية المفتوحة أو في بيئات العمل الرطبة أو المبللة. حيث سيؤدي الماء الذي يدخل إلى الشاحن إلى زيادة خطر حدوث صدمة كهربائية.

ملاحظة: يتم شحن بطاريات الليثيوم-أيون وهي مشحونة جزئيًا. قبل الاستخدام للمرة الأولى، اشحن مجموعة البطارية بالكامل.

1. صل الشاحن بمصدر للتيار (220-240 فولت~، 50 هرتز). لمبات مؤشر الشحن LED الأربع ستضيئ بالأخضر اللامع، في إشارة إلى أن الشاحن يعمل بشكل صحيح.
2. قم بمحاذاة الدعائم البارزة بمجموعة البطارية/المهايئ مع فتحات التركيب الموجودة بالشاحن؛ وأدخل مجموعة البطارية/المهايئ في الشاحن (الشكل (B)).

ملاحظة: إذا كنت ستشحن مجموعة البطارية BAX1300، قم بتوصيل المهايئ في البطارية أولاً.

3. سيتصل الشاحن بمجموعة البطارية لتقييم حالتها.

4. أثناء شحن مجموعة البطارية، ستضيئ لمبات مؤشر الشحن LED الأربع بالأخضر اللامع بالتتابع، من اليسار لليمين، للإشارة إلى مستوى الشحن؛ ولهذا نرجو منك مراجعة الشكل C. سيومض مؤشر الطاقة الموجود بمجموعة البطارية (BA1120E, BA1400, BA2240E, BA2800, BA4200, BA3360) بالتتابع: أحمر وبرتقالي وأخضر، أو ستقوم شاشة مؤشر الطاقة بمجموعة البطارية BAX1300 بعرض سعة الشحن رقميًا. سيومض القسم الأخير من المؤشر ذي الخمس لمبات LED الموجود بمجموعة البطارية باللون الأخضر (للطرازات BA1400T, BA2240T, BA2242T, BA2800T, BA4200T, BA5600T, BA6720T). تعمل المروحة الموجودة في الشاحن بشكل متواصل لتبريد مجموعة البطارية.

المواصفات

دخل الشاحن	220-240 فولت~ 50 هرتز، 550 واط
خرج الشاحن	5-8 أمبير، 56 فولت~
وقت الشحن	حوالي 25 دقيقة بالنسبة لمجموعة البطارية BA1120E حوالي 30 دقيقة بالنسبة لمجموعة البطارية BA1400 BA2240T/BA1400T/BA2240E/BA2242T حوالي 40 دقيقة بالنسبة لمجموعة البطارية BA2800/BA2800T حوالي 45 دقيقة بالنسبة لمجموعة البطارية BA3360 حوالي 60 دقيقة بالنسبة لمجموعة البطارية BA4200/BA4200T حوالي 190 دقيقة بالنسبة لمجموعة البطارية BAX1300 حوالي 70 دقيقة بالنسبة لمجموعة البطارية BA5600T حوالي 90 دقيقة بالنسبة لمجموعة البطارية BA6720T
درجة حرارة الشحن المثالية	40 - 5 درجة مئوية
وزن الشاحن	1.9 جم

الوصف

تعرف على الشاحن (الشكل A)

1. فتحة التركيب
2. منفذ تبريد الهواء
3. مؤشرات LED
4. الوصلات الكهربائية
5. مقبض ناغم
6. فتحة التثبيت على الجدار

5. عند اكتمال شحن مجموعة البطارية، ستتوقف لمبات مؤشرات الشحن LED عن الوميض وتضيء باللون الأخضر الثابت. سينطفئ مؤشر الطاقة الموجود بمجموعة البطارية. انتظر حتى توقف مروحة التبريد، واخضع مجموعة البطارية/المهايئ من الشاحن، وافصل الشاحن عن مصدر التيار.

6. سيتم شحن مجموعة البطارية بالكامل إذا تم تركها موصولة بالشاحن، ولن يتم شحنها بشكل زائد. إذا ظلت مجموعة البطارية (باستثناء BAX1300) في الشاحن لمدة شهر أو أكثر، فستقوم بتنفيذ عملية الصيانة الذاتية وتفرغ شحنها حتى 30% من سعة الشحن الخاصة بها. إذا حدث ذلك، أعد تركيب

مجموعة البطارية في الشاحن لإعادة شحنها بالكامل. الشكل C انظر أدناه للتعرف على شرح الأجزاء:

C-1	لمبة LED رقم 1	C-3	لمبة LED رقم 3
C-2	لمبة LED رقم 2	C-4	لمبة LED رقم 4

تنبيه:

- عمل مجموعة البطارية لفترة قصيرة للغاية بعد شحنها بالكامل يشير إلى أنها قد اقتربت من نهاية عمرها ويجب استبدالها.
- قد يصبح الشاحن ساخناً أثناء الشحن. هذا جزء من عملية التشغيل الطبيعية للشاحن. احرص على شحن البطارية في مكان جيد التهوية.

وظائف لمبات LED الموجودة بالشاحن

للطرزات BA1120E, BA1400, BA2240E, BA2800, BA3360, BA4200

مؤشر LED	مجموعة البطارية	لمبة LED بالشاحن				مؤشر الطاقة الموجود بمجموعة البطارية	مستوى طاقة مجموعة البطارية	الإجراء
		LED1	LED2	LED3	LED4			
	معطوب	تومض باللون الأحمر أو مطفأة	مطفأة	مطفأة	مطفأة	مطفأة	—	هناك عطل في مجموعة البطارية أو الشاحن.
	البطارية باردة/ساخنة	أحمر لامع	مطفأة	مطفأة	مطفأة	مطفأة	—	تزم نحسلاً بجليمء أدبتس مجرد تدوء دعبرى رخأ بمر اطبلا ةعومجم ترارد مجرد 3-57 ريد ام ىلا بئوئمه
	قيد الشحن	أخضر وامض	مطفأة	مطفأة	مطفأة	تومض بالتبادل بين الأحمر والبرتقالي والأخضر	زء لفا 25%	قيد الشحن
		الصيانة الذاتية		مطفأة	مطفأة		ىلا 25% ىلا 50%	قيد الشحن
		وميض باللون الأخضر اللامع		مطفأة	مطفأة		ىلا 50% ىلا 75%	قيد الشحن
		وميض باللون الأخضر اللامع		مطفأة	مطفأة		ىلا 75% ىلا 90%	قيد الشحن
	اكتمل الشحن	إضاءة متواصلة باللون الأخضر اللامع	مطفأة	مطفأة	مطفأة	ىلا 90% ىلا 100%	اكتملت عملية الشحن. يتم الشحن في وضع الصيانة.	
—	الصيانة الذاتية	تومض بسرعة متقطعة باللون الأخضر	مطفأة	مطفأة	مطفأة	ىلا 30%	تقوم البطارية بتنفيذ عملية الصيانة الذاتية، أو دخلت البطارية في وضع الاستعداد. أعد تركيب مجموعة البطارية في الشاحن لإعادة شحنها بالكامل.	

للطرازات BA1400T, BA2240T, BA2242T, BA2800T, BA4200T, BA5600T, BA6720T

الإجراء	مستوى طاقة مجموعة البطارية	مؤشر ذو 5 لمبات LED	لمبة LED بالشاحن				مؤشر LED	مجموعة البطارية
			LED1	LED2	LED3	LED4		
هناك عطب في مجموعة البطارية أو الشاحن.	—	مطفأة	مطفأة	مطفأة	مطفأة	تومض باللون الأحمر أو مطفأة	معطوب	
قر من حشلا تيلمع أدبتسد بمجرد تنوع دعب و رخا تيراطبلا ةعومجم ترار ح . مجرد 3-57 نيبام يلا تيونم(تازار طلا BA1400T, BA2242T, BA2800T, BA4200T, BA5600T, BA6720T 3-50 / تيونم مجرد BA2240T تازار طلا)	—	مطفأة	مطفأة	مطفأة	مطفأة	أحمر لامع	البطارية باردة/ ساخنة	
قيد الشحن	أقل من 25%	القسم الأخير من المؤشر يومض باللون الأخضر، ثم يضيئ بلون أخضر ثابت	مطفأة	مطفأة	مطفأة	أخضر وامض	قيد الشحن	
قيد الشحن	25% إلى 50%		مطفأة	مطفأة	وميض باللون الأخضر اللامع			
قيد الشحن	50% إلى 75%		مطفأة	مطفأة	وميض باللون الأخضر اللامع			
قيد الشحن	75% إلى 90%		مطفأة	مطفأة	وميض باللون الأخضر اللامع			
ن.حشلا تيلمع تلمتكا عضو ي ف نحشلا متبو .تتايصلا	90% إلى 100%	مطفأة	إضاءة متواصلة باللون الأخضر اللامع			اكتمل الشحن		
ذيفنتب تيراطبلا موقد وأ ،تعتاذلا تتايصلا تيلمع عضو ي ف تيراطبلا تلخد ببيكرت دعا .دادعتسلا ي ف تيراطبلا ةعومجم أهنحشد تداعلا ن حاشلا ل.لماكاب	حوالي 30%	مطفأة	تومض بسرعة متقطعة باللون الأخضر			الصيانة الذاتية		

باللون الأحمر أو ستتطفئ جميع لمبات LED.

شحن الطرازات BA1120E, BA1400, BA2240E, BA2242T, BA2800, BA3360, BA4200, BA1400T, BA2240T, BA2800T, BA4200T, BA5600T, BA6720T

1. إذا كانت المؤشرات تعيد بوجود عطب، اخلع مجموعة البطارية من الشاحن وأعد تركيبها. إذا ظلت لمبات LED تشير إلى وجود «عطب» للمرة الثانية، جرب شحن مجموعة بطارية مختلفة.

شحن مجموعة بطارية ساخنة أو باردة

إذا كانت مجموعة البطارية خارج نطاق درجة الحرارة العادية، ستضيئ لمبة LED1 باللون الأحمر. وعندما تبرد مجموعة البطارية حتى أقل من حوالي 57 درجة مئوية (42 درجة مئوية بالنسبة للطراز BAX1300)، أو تدفأ حتى أعلى من 3 درجات مئوية، سيبدأ الشاحن في الشحن تلقائياً وستضيئ لمبات LED الأربع بالتتابع. (50°C for BA2240T)

عطب في مجموعة البطارية أو الشاحن

إذا اكتشف الشاحن وجود مشكلة، سيبدأ لمبة LED1 في الوميض

2. إذا كان بمقنن شحن مجموعة بطارية أخرى بشكل طبيعي، تخلص من مجموعة البطارية المعطوبة (راجع التعليمات الواردة في دليل مجموعة البطارية).
3. أما إذا أشارت مجموعة البطارية الأخرى إلى وجود «عطب»، أفضل الشاحن عن مصدر الطاقة وانتظر حتى وميض لمبة LED1، ثم أعد توصيل القابس في مصدر الطاقة. إذا ظلت لمبة LED1 تشير إلى وجود عطب، فقد يكون هناك عطب في الشاحن.

لشحن الطراز BAX1300

1. إذا كانت المؤشرات تعيد بوجود عطب، اخلع مجموعة البطارية من الشاحن وأعد توصيلها، ثم اشحن بالمهايئ. إذا ظلت لمبات LED تشير إلى وجود «عطب» للمرة الثانية، جرب استخدام مهايئ جديد أو شحن مجموعة بطارية مختلفة.
2. إذا كان المهايئ الآخر أو مجموعة البطارية الأخرى يعملون بشكل طبيعي، تخلص من المهايئ المعطوب أو مجموعة البطارية المعطوبة (راجع التعليمات الواردة في دليل مجموعة البطارية).
3. أما إذا أشار المهايئ أو مجموعة البطارية بعد استبدالهم إلى وجود «عطب»، أفضل الشاحن عن مصدر الطاقة وانتظر حتى وميض لمبة LED1، ثم أعد توصيل القابس في مصدر الطاقة. إذا ظلت لمبة LED1 تشير إلى وجود عطب، فقد يكون هناك عطب في الشاحن.

فتحات التثبيت على الجدار

يوجد بالشاحن فتحات تعليق لسهولة التخزين (الشكل A-6). قم بتركيب المسامير في الجدار بحيث تكون المسافة بينهم 67 مم. استخدم مسامير قوية بما فيه الكافية لتحتمل الوزن الإجمالي للشاحن ومجموعة البطارية (بحد أقصى حوالي 1.4 كجم).

الصيانة

تحذير: لتجنب التعرض لإصابات خطيرة، احرص دائماً على خلع مجموعة البطارية من الآلة عند تنظيفها أو إجراء أي أعمال صيانة عليها.

تحذير: استخدم فقط قطع غيار EGO الأصلية عند إجراء أعمال الصيانة. لأن استخدام أي أجزاء أخرى قد ينشأ عنه خطر أو يتسبب في تعرض المنتج للتلف.

تحذير: من غير الموصى به استخدام الهواء الجاف المضغوط كوسيلة لتنظيف الشاحن. إذا كان التنظيف بالهواء المضغوط هو الوسيلة الوحيدة المتاحة، فاحرص دائماً على ارتداء واقبات للوجه أو نظارات حماية الوجه ذات الدروع الجانبية عند تنظيف الآلة. إذا كنت ستعمل في أجواء متربة، يجب أيضاً ارتداء قناع واقٍ من الغبار.

تحذير: إذا كان سلك التيار تألفاً، فيجب استبداله من قبل الشركة المصنعة أو وكيل الصيانة التابع لها أو أشخاص مؤهلين على نفس المستوى، وذلك لتجنب تعرضك للخطر.

الصيانة العامة

تجنب استخدام المنظفات عند تنظيف الأجزاء البلاستيكية. غالبية المكونات البلاستيكية تكون سريعة التأثر بالأنواع المختلفة للمنظفات

الموجودة بالسوق، وقد تتلف نتيجة استخدامها عليها. استخدم قطعة قماش نظيفة لإزالة الأوساخ والأتربة والزيوت والشحوم وما شابههم.

تحذير: لا تسمح في أي وقت من الأوقات بلامسة سوائل الفرامل أو البنزين أو المنتجات القائمة على البترول أو الزيت المتغلغل أو ما شابههم للأجزاء البلاستيكية. لأن المواد الكيميائية قد تتسبب في تلف الأجزاء البلاستيكية أو ضعفها أو تدميرها، وهو ما قد يؤدي إلى وقوع إصابات خطيرة.

تحذير: استخدم فقط قطع غيار EGO الأصلية عند إجراء أعمال الصيانة. لأن استخدام أي أجزاء أخرى قد ينشأ عنه خطر أو يتسبب في تعرض المنتج للتلف. لضمان السلامة والاعتمادية، يجب تنفيذ جميع أعمال الإصلاح من قبل فني خدمة مؤهل في أحد مراكز صيانة شركة EGO.

حماية البيئة

لا تتخلص من المعدات الكهربائية وشاحن البطارية والبطاريات العادية/البطاريات القابلة لإعادة الشحن في النفايات المنزلية! وفقاً للقانون الأوروبي 2012/19/EU، فإن المعدات الكهربائية والإلكترونية التي لم تعد صالحة للاستخدام، ووفقاً للقانون الأوروبي 2006/66/EC، فإن مجموعات البطارية/البطاريات المعطوبة أو المستهلكة، يجب جمعها بشكل منفصل.



إذا تم التخلص من الأجهزة الكهربائية في أكوام القمامة أو مقلب النفايات، قد تتسرب مواد خطيرة في المياه الجوفية وتصل إلى السلسلة الغذائية، وهو ما يضر بالصحة والبيئة.

استكشاف الأخطاء وإصلاحها

المشكلة	السبب	الحل
الشاحن لا يعمل. لمبة LED1 تومض باللون الأحمر أو جميع لمبات LED مطفاة.	هناك عطب في مجموعة البطارية أو المهابئ أو الشاحن، أو هناك اتصال كهربائي سيئ بين مجموعة البطارية والمهائب والشاحن.	<ul style="list-style-type: none"> ■ جرب خلع مجموعة البطارية/المهائب من الشاحن وإعادة تركيبهما. ■ جرب خلع المهائب من مجموعة البطارية (بالنسبة للطرز BAX1300) وإعادة توصيله. ■ جرب مهائبًا جديدًا. ■ جرب شاحن مجموعة بطارية أخرى. ■ افصل الشاحن عن مصدر الطاقة وانتظر حتى انطفاء لمبة LED الحمراء، ثم أعد توصيل القابس في مصدر الطاقة.
الشاحن لا يعمل ولمبة LED1 مضاءة باللون الأحمر.	مجموعة البطارية ساخنة للغاية أو باردة للغاية.	<ul style="list-style-type: none"> ■ اترك مجموعة البطارية إلى أن تصل إلى درجة الحرارة العادية. ستبدأ عملية الشحن مرة أخرى بعد عودة درجة حرارة مجموعة البطارية إلى ما بين 3-57 درجة مئوية (3-42 درجة مئوية بالنسبة للطرز BAX1300, 3°C -50°C for BA2240T).

الضمان

سياسة ضمان EGO

تفضل بزيارة الموقع الإلكتروني egopowerplus.com للتعرف على الشروط والأحكام الكاملة الخاصة بسياسة ضمان EGO.

